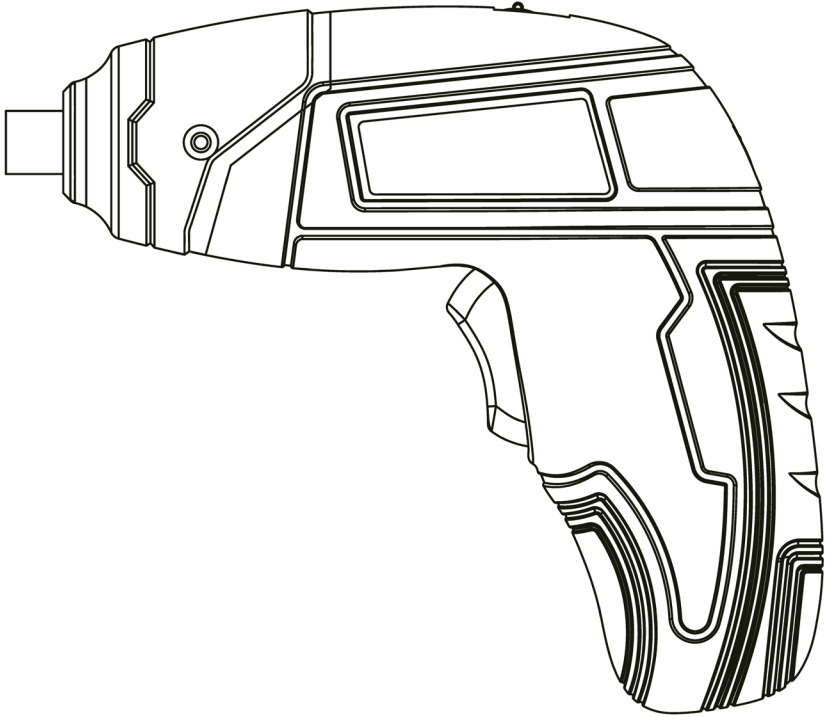


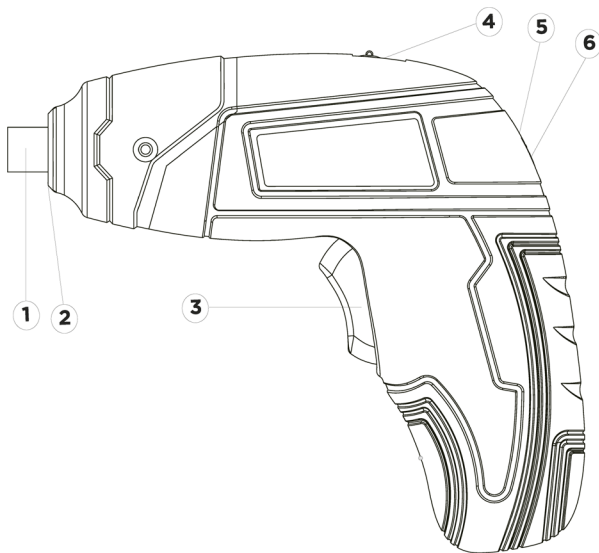


www.blackanddecker.com

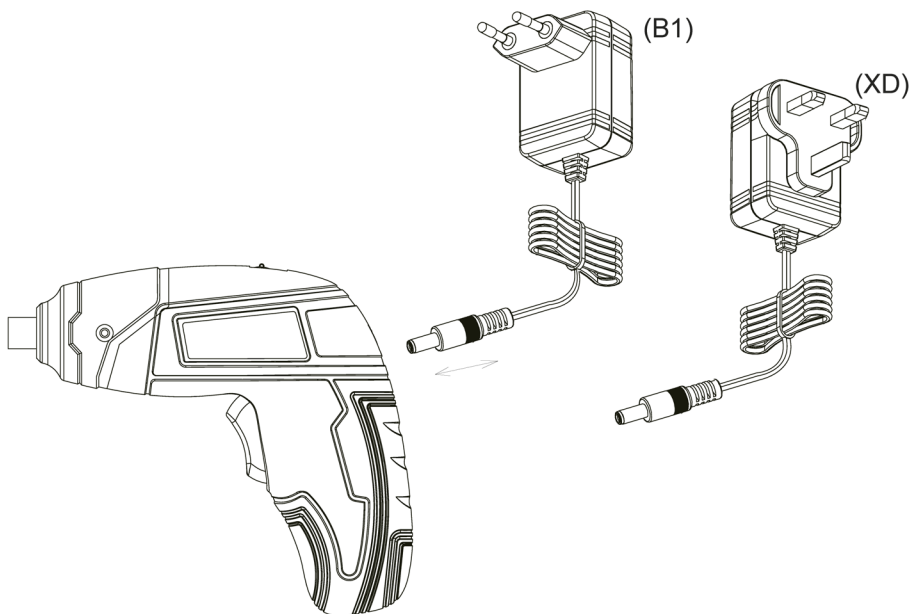


KC3610

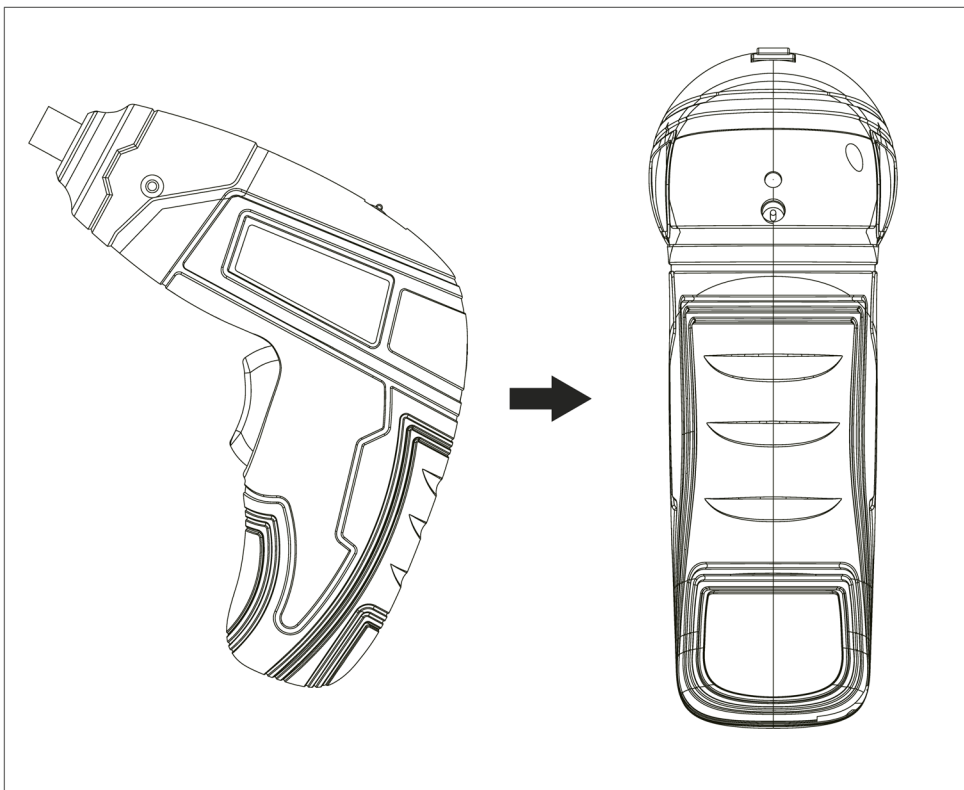
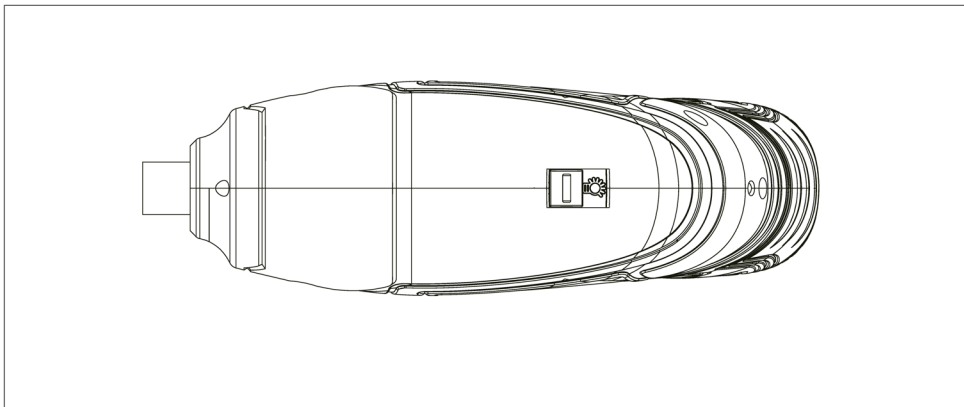
English	4
INDONESIA	9
ภาษาไทย	14
TIẾNG VIỆT	19



A



B



INTENDED USE

Your BLACK+DECKER screwdriver KC3610 has been designed for screw-driving applications. This tool is intended for consumer use only.

SAFETY INSTRUCTIONS

General power tool safety warnings



Warning! Read all safety warnings and all instructions. Failure to follow the warnings and instructions listed below may result in electric shock, fire and/or serious injury.

Save all warnings and instructions for future reference.

The term “power tool” in all of the warnings listed below refers to your mains operated (corded) power tool or battery operated (cordless) power tool.

1. Work area safety

- a. **Keep work area clean and well lit.** Cluttered or dark areas invite accidents.
- b. **Do not operate power tools in explosive atmospheres, such as in the presence of flammable liquids, gases or dust.** Power tools create sparks which may ignite the dust or fumes.
- c. **Keep children and bystanders away while operating power tool.** Distractions can cause you to lose control.

2. Electrical safety

- a. **Power tool plugs must match the outlet. Never modify the plug in any way. Do not use any adapter plugs with earthed (grounded) power tools.** Unmodified plugs and matching outlets will reduce risk of electric shock.
- b. **Avoid body contact with earthed or grounded surfaces such as pipes, radiators, ranges and refrigerators.** There is an increased risk of electric shock if your body is earthed or grounded.
- c. **Do not expose power tools to rain or wet conditions.** Water entering a power tool will increase the risk of electric shock.

- d. **Do not abuse the cord. Never use the cord for carrying, pulling or unplugging the power tool. Keep cord away from heat, oil, sharp edges or moving parts.** Damaged or entangled cords increase the risk of electric shock.
- e. **When operating a power tool outdoors, use an extension cord suitable for outdoor use.** Use of a cord suitable for outdoor use reduces the risk of electric shock.
- f. **If operating a power tool in a damp location is unavoidable, use a residual current device (RCD) protected supply.** Use of an RCD reduces the risk of electric shock.

3. Personal safety

- a. **Stay alert, watch what you are doing and use common sense when operating a power tool. Do not use a power tool while you are tired or under the influence of drugs, alcohol or medication.** A moment of inattention while operating power tools may result in serious personal injury.
- b. **Use personal protective equipment. Always wear eye protection.** Protective equipment such as dust mask, non-skid safety shoes, hard hat, or hearing protection used for appropriate conditions will reduce personal injuries.
- c. **Prevent unintentional starting. Ensure the switch is in the off-position before connecting to power source and/or battery pack, picking up or carrying the tool.** Carrying power tools with your finger on the switch or energising power tools that have the switch on invites accidents.
- d. **Remove any adjusting key or wrench before turning the power tool on.** A wrench or a key left attached to a rotating part of the power tool may result in personal injury.
- e. **Do not overreach. Keep proper footing and balance at all times.** This enables better control of the power tool in unexpected situations.
- f. **Dress properly. Do not wear loose clothing or jewellery. Keep your hair, clothing and gloves away from moving parts.** Loose clothes, jewellery or long hair can be caught in moving parts.

- g. If devices are provided for the connection of dust extraction and collection facilities, ensure these are connected and properly used.** Use of dust collection can reduce dust-related.
- 4. Power tool use and care**
- a. Do not force the power tool. Use the correct power tool for your application.** The correct power tool will do the job better and safer at the rate for which it was designed.
- b. Do not use the power tool if the switch does not turn it on and off.** Any power tool that cannot be controlled with the switch is dangerous and must be repaired.
- c. Disconnect the plug from the power source and/or the battery pack from the power tool before making any adjustments, changing accessories, or storing power tools.** Such preventive safety measures reduce the risk of starting the power tool accidentally.
- d. Store idle power tools out of the reach of children and do not allow persons unfamiliar with the power tool or these instructions to operate the power tool.** Power tools are dangerous in the hands of untrained users.
- e. Maintain power tools. Check for misalignment or binding of moving parts, breakage of parts and any other condition that may affect the power tools operation. If damaged, have the power tool repaired before use.** Many accidents are caused by poorly maintained power tools.
- f. Keep cutting tools sharp and clean.** Properly maintained cutting tools with sharp cutting edges are less likely to bind and are easier to control.
- g. Use the power tool, accessories and tool bits etc. in accordance with these instructions, taking into account the working conditions and the work to be performed.** Use of the power tool for operations different from those intended could result in a hazardous situation.
- 5. Battery tool use and care**
- a. Recharge only with the charger specified by the manufacturer.** A charger that is suitable for one type of battery pack may create a risk of fire when used with another battery pack.
- b. Use power tools only with specifically designated battery packs.** Use of any other battery packs may create a risk of injury and fire.
- c. When battery pack is not in use, keep it away from other metal objects, like paper clips, coins, keys, nails, screws or other small metal objects that can make a connection from one terminal to another.** Shorting the battery terminals together may cause burns or a fire.
- d. Under abusive conditions, liquid may be ejected from the battery; avoid contact. If contact accidentally occurs, flush with water. If liquid contacts eyes, additionally seek medical help.** Liquid ejected from the battery may cause irritation or burns.
- 6. Service**
- a. Have your power tool serviced by a qualified repair person using only identical replacement parts.** This will ensure that the safety of the power tool is maintained.

SPECIAL SAFETY ADVICE FOR SCREWDRIVER

Hold power tool by insulated gripping surfaces, when performing an operation where the fastener may contact hidden wiring. Fasteners contacting a "live" wire may make exposed metal parts of the power tool "live" and could give the operator an electric shock. Only plug the Battery Charger in correct voltage mains according to Technical Data. Recharge the Battery only with the provided charger. Before starting any work on walls, floors or similar, make sure that all power lines in the work area are switched off at the main switchboard. Inspect the proposed drill hole location for any utility lines (e.g. water, gas, power) before drilling. Use a suitable device such as a metal or electricity line detecting device. If in doubt contact a qualified electrician or your utility provider. Both tools and work-pieces can heat up considerably during the drilling operation. Allow a sufficient period of cooling before handling. Wear appropriate gloves.

Safety Advice for Charger

Important! Danger! There are 3 pcs 1.2V Ni-cd battery in screwdriver, never short-circuit the battery or expose it to moisture. Do not store it together with any metal parts which could short-circuit the contacts. The machine could overheat, start burning or explode.

Warning!

1. This appliance is not intended for use by persons (including children) with reduced physical, sensory or mental capabilities, or lack of experience and knowledge, unless they have been given supervision or instruction concerning use of the appliance by a person responsible for their safety.
2. Do not recharge non-rechargeable batteries.

Labels on tool

The following pictograms are shown on the tool; along with the date code



Warning! To reduce the risk of injury, the user must read the instruction manual.



The charger is intended for indoor use only.



Read this entire manual carefully before using the appliance.

Position of data barcode

The Date Code, which also includes the year of the manufacture, is printed into the housing.

Example:

2014 XXJN
Year of manufacturing

Electrical Safety



Your charger is double insulated; therefore no earth wire is required. Always check that the mains voltage corresponds to the voltage on the rating plate. Never attempt to replace the charger unit with a regular mains plug.

- If the supply cord is damaged, it must be replaced by the manufacturer or an authorized BLACK+DECKER Service Centre in order to avoid a hazard.

PRODUCT FEATURES

1. Tool Holder
2. LED Light
3. Switch
4. LED Switch
5. Charging Indicator
6. Charging Hole

Charging the Battery

Charging as shown, must turn off the screwdriver. Only Red lights up on the power indicator when you charging. Charging time: 1-3 Hours (B1), 3-5 Hours(XD).

Inserting Tools Bits

Important! Always turn off the machine before you change the crew bit to avoid unintentional starting of the machine.

On/Off Trigger

Use the On/Off trigger to start the machine and keep holding it for continuous operation.

Operation for working

1. Using the Screwdriver as a Screw-driver

before using the machine check whether the screw-bit is inserted correctly. Avoid over-tightening screws, otherwise the screw head may be damaged or stripping of the threads may occur.

2. Screw Insertion

Set the direction of rotation of the drill to the clockwise direction. Insert the screw-bit into the slot in the head of the screw. Hold the screw bit perpendicular to the head of the screw, otherwise the screw or the screw head may be damaged. Press the screw bit against the screw with a constant pressure while driving in the screw. When the screw is completely screwed in, hold the machine firmly and release the On/Off trigger, otherwise the screw or the screw head may be damaged. If the On/Off trigger is not released immediately a high torque could also damage the screwdriver bit or the screwdriver.

3. Screw Removal

Set the direction of rotation of the drill to the anticlockwise direction. Insert the screw-bit into the slot in the head of the screw. Hold the screw-bit perpendicular to the head of the screw, otherwise the screw or the screw head may be damaged. Press the screw bit against the screw with a constant pressure while removing the screw.

Maintenance and Cleaning

Attention! Always remove the battery before carrying out any work on the machine. To clean, always use a dry or moist, but not wet, towel. Many cleaning agents contain chemical substances which may cause damage to the plastic parts of the machine. Therefore do not use any strong or inflammable cleaners such as petrol, paint thinner, turpentine or similar cleaning agents.

Always keep air ventilation holes free of dust deposits to prevent overheating.

Batteries



BLACK+DECKER batteries can be recharged many times. At the end of their useful life, discard batteries with due care for our environment:

- Run the battery down completely, and then remove it from the tool.
- NiCd, NiMH and Li-ion batteries are recyclable. Take them to any authorised repair agent or a local recycling station

Technical Data

KC3610		B1	XD
Rated Voltage	V	3.6	3.6
No Load Speed	mnt ⁻¹	200	200
Weight	kg	0.26	0.26
Battery Cell	V	1.2 Ni-cd 600 mAh	1.2 Ni-cd 600 mAh
Rated Voltage	V	220-240	220-240
Output Voltage		DC6V,	DC6V,
Charging Time		1-3 hour	3-5 hour
Charger		HY06type1	Hy06 Type2
Input Voltage	Vac	220-240	220-240
Output Current (DC)	mA	300	200

Level of sound pressure according to EN 60745:
 Sound pressure (Lpa) 56.5 dB(A), uncertainty (K) 3 dB(A)
 Acoustic pressure (Lwa) 67.5 dB(A), uncertainty (K) 3 dB(A)
 Vibration total values (triax vector sum) according to EN 60745:
 Ah 0.319 m/s²
 K=1.5m/s²

Protecting the environment



Separate collection. This product must not be disposed of with normal household waste.

Should you find one day that your BLACK+DECKER product needs replacement, or if it is of no further use to you, do not dispose of it with household waste. Make this product available in separate collection.



Separate collection of used products and packaging allows materials to be recycled and used again.

Reuse of recycled materials helps prevent environmental pollution and reduces the demand for raw materials.

Local regulations may provide for separate collection of electrical products from the household, at municipal waste sites or buy the retailer when you purchase new product.

BLACK+DECKER provides a facility for the collection and recycling of BLACK+DECKER products once they have reached the end of their working life. To take advantage of this service, please return your product to any authorised repair agent who will collect then on our behalf.

You can check the location of your nearest authorised repair agent by contacting your local BLACK+DECKER office at the address indicated in this manual. Alternatively, a list of authorised BLACK+DECKER repair agents and full details of our after sales service and contacts are available on the internet at: www.2helpU.com

Service Information

Black & Decker offers a full network of company-owned and authorized service locations throughout with trained personnel to provide customers with efficient and reliable power tool service. Whether you need technical advice, repair, or genuine factory replacement parts, contact the Black & Decker location nearest to you.

NOTE

- Black & Decker's policy is one of continuous improvement to our products and, as such, we reserve the right to change product specifications without prior notice.
- Standard equipment and accessories may vary by country.
- Product specifications may differ by country.
- Complete product range may not be available in all countries. Contact your local Black & Decker dealers for range availability.

TUJUAN PENGGUNAAN

Obeng KC3610 BLACK+DECKER Anda dirancang untuk aplikasi pengobengan. Alat ini hanya ditujukan untuk penggunaan non-profesional.

PETUNJUK KESELAMATAN

Peringatan umum untuk keselamatan perkakas listrik



Peringatan! Baca seluruh peringatan keselamatan dan seluruh petunjuk.

Kegagalan mengikuti peringatan dan petunjuk yang tercantum di bawah ini dapat mengakibatkan sengatan listrik, kebakaran, dan/atau cedera berat.

Simpan semua peringatan dan petunjuk untuk referensi di masa mendatang.

Istilah "perkakas listrik" dalam seluruh peringatan yang tercantum di bawah ini merujuk pada perkakas listrik bertenaga listrik (berkabel) atau perkakas listrik bertenaga baterai (nirkabel) Anda.

1. Keselamatan area kerja

- a. **Jaga agar area kerja tetap bersih dan terang.** Area yang berantakan atau gelap berpotensi mengakibatkan kecelakaan.
- b. **Jangan mengoperasikan perkakas listrik ini di lingkungan yang mudah menimbulkan bahaya ledakan, seperti di tempat yang terdapat cairan, gas, atau debu yang mudah terbakar.** Perkakas listrik menimbulkan percikan api yang dapat menyulut debu atau uap.
- c. **Jauhkan anak-anak dan orang yang berada di sekitar, sewaktu mengoperasikan perkakas listrik.** Gangguan dapat menyebabkan Anda kehilangan kendali.

2. Keselamatan kelistrikan

- a. **Steker perkakas listrik harus sesuai dengan soketnya. Jangan pernah memodifikasi steker dengan cara apa pun. Jangan gunakan steker adaptor apa pun dengan alat listrik yang dibumikan (grounded).** Steker yang tidak dimodifikasi dan stopkontak yang sesuai akan mengurangi risiko sengatan listrik.

- b. **Hindari kontak badan dengan permukaan yang dibumikan (grounded), seperti pipa, radiator, kompor, dan kulkas.** Risiko sengatan listrik dapat meningkat jika tubuh Anda bersentuhan dengan permukaan yang dibumikan.
- c. **Jangan sampai perkakas listrik ini terkena hujan atau terpapar ke kondisi yang basah.** Air yang masuk ke perkakas listrik akan meningkatkan risiko sengatan listrik.
- d. **Jangan menyalahgunakan kabel. Jangan sekali-kali menggunakan kabel untuk membawa, menarik, atau mencabut alat listrik. Jauhkan kabel dari panas, minyak, tepi tajam, atau komponen yang bergerak.** Kabel yang rusak atau terbelit meningkatkan risiko sengatan listrik.
- e. **Bila mengoperasikan perkakas listrik di luar ruangan, gunakan kabel sambungan yang sesuai untuk penggunaan di luar ruangan.** Menggunakan kabel yang sesuai untuk penggunaan di luar ruangan akan mengurangi risiko sengatan listrik.
- f. **Jika penggunaan perkakas listrik di lokasi yang lembap tidak dapat dihindari, gunakan suplai yang terlindung oleh perangkat arus sisa (RCD).** Penggunaan RCD akan mengurangi risiko sengatan listrik.

3. Keselamatan diri

- a. **Tetap waspada, perhatikan apa yang Anda kerjakan dan gunakan akal sehat saat mengoperasikan perkakas listrik. Jangan mengoperasikan alat listrik bila Anda sedang lelah, atau berada di bawah pengaruh obat, alkohol, atau pengobatan.** Kelengahan sesaat saja saat mengoperasikan perkakas listrik dapat mengakibatkan cedera diri serius.
- b. **Gunakan peralatan pelindung diri. Selalu kenakan alat pelindung mata.** Peralatan pelindung, seperti masker debu, sepatu keselamatan antiselip, helm proyek, atau pelindung telinga yang digunakan untuk kondisi yang sesuai akan mengurangi risiko cedera diri.
- c. **Hindari menyalakan alat tanpa disengaja. Pastikan bahwa sakelar sudah dalam posisi mati sebelum menghubungkannya ke sumber listrik dan/atau baterai,**

mengambil, atau membawa alat. Membawa perangkat listrik dengan jari Anda masih menempel pada tombol atau menghidupkan perkakas listrik yang tombolnya masih menyala akan berpotensi mengakibatkan kecelakaan.

d. Lepaskan semua kunci setelan atau kunci pas sebelum menghidupkan perkakas listrik. Kunci pas atau kunci yang dibiarkan terpasang pada komponen perkakas listrik yang berputar dapat mengakibatkan cedera diri.

e. Jangan menjangkau melampaui batas. Selalu jaga pijakan dan keseimbangan yang baik. Hal ini memungkinkan Anda untuk mengendalikan perkakas listrik secara lebih baik dalam situasi yang tidak terduga.

f. Kenakan pakaian yang sesuai. Jangan mengenakan pakaian longgar atau perhiasan. Jauhkan rambut, pakaian dan sarung tangan dari komponen yang bergerak. Pakaian yang longgar, perhiasan atau rambut panjang dapat tersangkut pada komponen yang bergerak.

g. Jika disediakan perangkat untuk sambungan fasilitas pengeluaran dan pengumpulan debu, pastikan alat ini dihubungkan dan digunakan dengan sesuai. Penggunaan alat pengumpul debu dapat mengurangi bahaya yang ditimbulkan oleh debu.

4. Penggunaan dan pemeliharaan alat listrik

a. Jangan menggunakan perkakas listrik dengan paksa. Gunakan alat listrik yang sesuai untuk aplikasi Anda. Alat listrik yang tepat akan bekerja lebih baik dan aman pada tingkatan kerja yang telah dirancang untuk alat itu.

b. Jangan gunakan perkakas listrik ini jika sakelar tidak dapat menghidupkan dan mematikan alat. Perkakas listrik apa pun yang tidak dapat dikendalikan dengan tombol adalah berbahaya dan harus diperbaiki.

c. Lepaskan stopkontak dari sumber listrik dan/atau baterai dari perkakas listrik sebelum melakukan penyetelan apa pun, mengganti aksesoris, atau menyimpan perkakas listrik. Tindakan pencegahan untuk keselamatan seperti itu akan mengurangi risiko menyalakan alat listrik secara tidak disengaja.

d. Simpan perkakas listrik yang tidak digunakan jauh dari jangkauan anak-anak, dan jangan membolehkan orang yang tidak memahami perkakas listrik atau petunjuk ini untuk mengoperasikannya. Perkakas listrik dapat berbahaya bila digunakan oleh pengguna yang tidak terlatih.

e. Rawat perkakas listrik. Lakukan pemeriksaan untuk mengetahui apakah ada komponen bergerak yang tidak sejajar atau bengkok, komponen yang patah, dan kondisi lainnya yang dapat memengaruhi pengoperasian perkakas listrik. Jika rusak, perbaiki alat listrik sebelum digunakan. Banyak terjadi kecelakaan akibat perkakas listrik yang tidak terawat dengan baik.

f. Jaga ketajaman dan kebersihan alat pemotong. Alat pemotong yang terawat dengan baik dengan mata potong yang tajam akan kecil kemungkinannya untuk macet serta lebih mudah untuk dikendalikan.

g. Gunakan perkakas listrik, aksesoris, mata bor, dsb, sesuai petunjuk ini, dengan memperhitungkan persyaratan kerja dan jenis pekerjaan yang harus dilakukan. Penggunaan alat listrik untuk pengoperasian yang tidak sesuai dengan tujuan penggunaan dapat mengakibatkan situasi yang berbahaya.

5. Penggunaan dan pemeliharaan alat bertenaga baterai

a. Isi ulang daya baterai hanya dengan pengisi daya yang ditetapkan oleh pabrik. Pengisi daya yang cocok untuk satu tipe baterai dapat menimbulkan risiko kebakaran jika digunakan pada baterai lainnya.

b. Gunakan alat hanya dengan baterai yang ditunjukkan secara khusus. Penggunaan baterai lainnya dapat menimbulkan risiko cedera dan kebakaran.

c. Bila tidak dipakai, jauhkan baterai dari benda logam lainnya seperti klip penjepit kertas, koin, kunci, paku, sekrup, atau benda logam kecil lainnya yang dapat menimbulkan hubungan listrik dari satu terminal ke terminal lainnya. Menghubungkan kedua terminal baterai dengan kabel secara tidak semestinya dapat mengakibatkan luka bakar atau kebakaran.

d. **Pemakaian yang salah bisa menyebabkan keluarnya cairan dari baterai; hindari kontak. Jika tidak sengaja tersentuh, bilas dengan air. Jika cairan mengenai mata, carilah juga bantuan medis.** Cairan yang keluar dari baterai dapat menyebabkan iritasi atau luka bakar.

6. Servis

a. **Perkakas listrik sebaiknya diservis oleh teknisi yang berkualifikasi dan hanya menggunakan komponen pengganti yang persis sama.** Hal ini akan membuat keamanan perkakas listrik selalu terjaga.

NASIHAT KESELAMATAN KHUSUS UNTUK OBENG

Pegang alat listrik pada permukaan pegangan berpenyekat saat menjalankan operasi di mana alat penjepit dapat bersentuhan dengan kabel tersembunyi. Alat penjepit yang bersentuhan dengan kabel bertegangan listrik dapat mengalirkan arus listrik pada komponen logam alat listrik dan mengakibatkan sengatan listrik pada pengguna. Hanya colokkan Pengisi Daya Baterai ke stopkontak dengan voltase yang tepat sesuai Data Teknis. Isi ulang daya Baterai hanya dengan pengisi daya yang disediakan. Sebelum memulai pekerjaan pada dinding, lantai, atau tempat serupa, pastikan bahwa semua saluran listrik di area kerja dimatikan pada papan hubung utama. Periksa lokasi lubang bor yang diusulkan untuk jalur utilitas manapun (misalnya air, gas, listrik) sebelum pengeboran. Gunakan perangkat yang sesuai seperti perangkat pendeteksi logam atau saluran listrik. Jika ragu, hubungi teknisi listrik yang berkualifikasi atau penyedia utilitas Anda. Alat maupun material kerja dapat sangat memanas selama operasi pengeboran. Biarkan dingin dalam waktu yang cukup sebelum penanganan. Kenakan sarung tangan yang tepat.

Nasihat keselamatan untuk pengisi daya

Penting! Bahaya! Ada 3 baterai Ni-cd 1,2V pada obeng, jangan sampai baterai mengalami arus pendek atau terpapar kelembapan. Jangan menyimpannya bersama dengan komponen logam apa pun yang dapat menyebabkan arus pendek. Mesin bisa terlalu panas, mulai terbakar atau meledak.

Peringatan!

1. Peralatan ini tidak ditujukan untuk pengguna (termasuk anak-anak) yang menderita kekurangan kemampuan fisik, sensorik, atau mental, atau kurang pengalaman dan pengetahuan, kecuali mereka diawasi atau diarahkan dalam penggunaan peralatan ini oleh pihak-pihak yang bertanggung jawab atas keselamatan mereka.
2. Jangan mengisi ulang daya baterai yang tidak dapat diisi ulang.

Label pada alat

Piktogram berikut beserta kode tanggal ditampilkan pada peralatan; dengan kode tanggal



Peringatan! Untuk mengurangi risiko cedera, pengguna harus membaca buku petunjuk.



Pengisi daya ini hanya ditujukan untuk penggunaan di dalam ruangan.



Baca seluruh panduan dengan cermat sebelum menggunakan peralatan.

Posisi kode batang data

Kode Tanggal, yang juga mencantumkan tahun produksi, dicetak pada kerangka alat.

Contoh:

2014 XXJN
Tahun produksi

Keselamatan Kelistrikan



Pengisi daya ini berisolasi ganda; oleh sebab itu tidak perlu kabel arde (ground). Selalu periksa apakah voltase listrik sudah sesuai dengan tegangan yang tercantum pada pelat spesifikasi. Jangan pernah mencoba untuk mengganti unit pengisi daya dengan steker listrik biasa.

- Jika rusak, kabel daya harus diganti oleh produsen atau Pusat Layanan BLACK+DECKER resmi guna menghindari terjadinya bahaya.

FITUR PRODUK

1. Penahan Alat
2. Lampu LED
3. Sakelar
4. Sakelar LED
5. Indikator pengisian daya
6. Lubang Pengisian Daya

Mengisi Ulang Daya Baterai

Mengisi daya sesuai petunjuk, obeng harus dimatikan. Hanya lampu Merah yang menyala pada indikator daya selama pengisian daya. Waktu pengisian daya: 1-3 Jam (B1), 3-5 Jam (XD).

Memasukkan Mata Bor

Penting! Senantiasa Matikan mesin sebelum Anda mengubah mata sekrup untuk menghindari menyalakan mesin tanpa disengaja.

Pemicu On/Off

Gunakan pemicu On/Off untuk memulai mesin dan tahan untuk operasi yang terus-menerus.

Operasi untuk pengerjaan

1. **Menggunakan Obeng sebagai Obeng sebelum menggunakan pemeriksaan mesin apakah mata sekrup dimasukkan dengan benar.**

Hindari terlalu mengencangkan sekrup, atau kepala sekrup dapat rusak atau pengupasan ulir dapat terjadi.

2. Memasukkan Sekrup

Atur arah putaran bor searah jarum jam. Masukkan mata sekrup ke dalam slot di kepala sekrup. Pegang mata sekrup tegak lurus pada kepala sekrup, atau sekrup atau kepala sekrup dapat rusak. Tekan mata sekrup terhadap sekrup dengan tekanan konstan saat mengobeng sekrup. Ketika sekrup sudah benar-benar masuk, tahan mesin erat-erat dan lepaskan pemicu On/Off, atau sekrup atau kepala sekrup dapat rusak jika pemicu On/Off tidak segera dilepas, torsi tinggi juga dapat merusak mata obeng atau obeng itu.

3. Melepaskan Sekrup

Atur arah putaran bor berlawanan jarum jam. Masukkan mata sekrup ke dalam slot di kepala sekrup. Pegang mata sekrup tegak lurus pada kepala sekrup, atau sekrup atau kepala sekrup dapat rusak. Tekan mata sekrup terhadap sekrup dengan tekanan konstan saat melepaskan sekrup.

Pemeliharaan dan Pembersihan

Perhatian! Selalu lepas baterai sebelum melaksanakan pekerjaan pada mesin.

Untuk membersihkan, senantiasa gunakan handuk kering atau lembap, tetapi tidak basah. Sebagian besar bahan pembersih mengandung zat kimia yang dapat menyebabkan kerusakan pada bagian plastik mesin. Oleh karena itu, jangan menggunakan pembersih yang kuat atau mudah terbakar seperti bensin, bahan pengencer cat, terpentin, atau bahan pembersih serupa.

Senantiasa jaga lubang ventilasi udara tetap bebas dari endapan debu untuk mencegah pemanasan berlebih.

Baterai



Daya baterai BLACK+DECKER dapat diisi ulang hingga berkali-kali. Pada akhir masa pakainya, buang baterai dengan cara yang aman terhadap lingkungan:

- Kosongkan baterai sama sekali, lalu lepaskan dari alat.
- Baterai-baterai NiCd, NiMH, dan Li-Ion dapat didaur ulang. Bawalah ke agen reparasi resmi atau pangkalan daur ulang setempat

Data Teknis

KC3610		B1	XD
Nilai Tegangan	V	3. 6	3. 6
Kecepatan Tanpa Beban	mnt ⁻¹	200	200
Berat	kg	0. . 26	0. 26
Sel Baterai	V	1. 2 Ni-cd 600 mAh	1. 2 Ni-cd 600 mAh
Nilai Tegangan	V	220-240	220-240
Voltase Output		DC6V,	DC6V,
Waktu Pengisian Daya		1-3 hour	3-5 hour
Pengisi daya		HY06type1	Hy06 Type2
Voltase Input	Vac	220-240	220-240
Arus Output (DC)	mA	300	200

Tingkat tekanan suara menurut EN 60745:
 Tekanan suara (L_{pa}) 56. 5 dB(A), ketidakpastian (K) 3 dB(A)
 Tekanan akustik (L_{wa}) 67. 5 dB(A), ketidakpastian (K) 3 dB(A)
 Nilai total getaran (jumlah vektor triax) menurut EN 60745:
 Ah 0,319 m/s² K=1,5 m/s²

MELINDUNGI LINGKUNGAN



Pengumpulan terpisah. Produk ini tidak boleh dibuang bersama limbah rumah tangga biasa.

Jika produk BLACK+DECKER Anda perlu diganti, atau tidak lagi digunakan, jangan buang bersama sampah rumah tangga. Pisahkan pembuangan produk ini.



Pengumpulan produk dan kemasan bekas secara terpisah memungkinkan material untuk didaur ulang dan digunakan lagi.

Penggunaan kembali bahan yang didaur ulang membantu mencegah pencemaran lingkungan dan mengurangi permintaan kebutuhan bahan baku.

Undang-undang setempat mungkin memfasilitasi pengumpulan produk-produk kelistrikan terpisah dari sampah rumah tangga, di tempat pembuangan sampah kota atau oleh pedagang ritel pada saat Anda membeli produk baru.

BLACK+DECKER menyediakan fasilitas untuk pengumpulan dan pendaurulangan produk Black & Decker yang telah mencapai akhir masa pakainya. Untuk memanfaatkan layanan ini, harap kembalikan produk Anda kepada agen reparasi resmi yang akan mengumpulkannya atas nama kami.

Anda dapat menemukan lokasi agen reparasi resmi terdekat dengan Anda dengan menghubungi kantor BLACK+DECKER setempat Anda di alamat yang tercantum pada buku petunjuk ini. Cara lainnya, daftar agen perbaikan BLACK+DECKER resmi serta informasi terperinci layanan purnajual dan kontak kami tersedia di Internet di: [www. 2helpU. com](http://www.2helpU.com)

Informasi Servis

Black & Decker menawarkan jaringan lengkap lokasi servis milik perusahaan dan lokasi servis resmi di seluruh Asia dengan personel terlatih untuk memberikan pelanggan servis alat listrik yang efisien dan andal. Bila Anda membutuhkan saran teknis, perbaikan, atau suku cadang pengganti asli pabrik, hubungi lokasi Black & Decker terdekat.

Catatan

- Black & Decker memiliki kebijakan untuk terus meningkatkan produk dan karenanya, kami berhak mengubah spesifikasi produk tanpa pemberitahuan sebelumnya.
- Perlengkapan dan aksesoris standar mungkin akan berbeda di setiap negara.
- Spesifikasi produk mungkin akan berbeda di setiap negara.
- Pilihan produk lengkap mungkin tidak tersedia di semua negara. Untuk mengetahui ketersediaan produk, hubungi dealer Black & Decker setempat Anda.

วัตถุประสงค์ในการใช้งาน

ไขควงไฟฟ้าของ BLACK+DECKER รุ่น KC3610 เครื่องนี้ ออกแบบมาเพื่อการขันสกรู เครื่องมือนี้ มีวัตถุประสงค์เพื่อการใช้งานของผู้บริโภคเท่านั้น

คำแนะนำด้านความปลอดภัย

คำเตือนเพื่อความปลอดภัยทั่วไปสำหรับการใช้เครื่องมือไฟฟ้า



คำเตือน! โปรดอ่านคำเตือนและข้อปฏิบัติเพื่อความปลอดภัยทั้งหมด การไม่ปฏิบัติตามคำเตือนและข้อปฏิบัติเหล่านี้ อาจทำให้ถูกไฟฟ้าช็อต เกิดเพลิงไหม้ และ/หรือบาดเจ็บสาหัสได้

โปรดเก็บรักษาคำเตือนและข้อปฏิบัติทั้งหมดนี้ไว้เพื่อการอ้างอิงในภายหลัง

คำว่า “เครื่องมือไฟฟ้า” ในคำเตือนทั้งหมดที่แสดงไว้ด้านล่าง หมายถึงเครื่องมือไฟฟ้าที่ทำงานผ่านสายเมน (แบบมีสาย) หรือเครื่องมือไฟฟ้าที่ทำงานด้วยแบตเตอรี่ (แบบไร้สาย)

1. ความปลอดภัยในบริเวณที่ทำงาน

- a. รักษาความสะอาดและจัดให้มีแสงสว่างเพียงพอในบริเวณที่ทำงาน บริเวณที่มีดหรือมีของวางระเกะระกะอาจทำให้เกิดอุบัติเหตุได้
- b. ห้ามใช้เครื่องมือไฟฟ้าในบริเวณที่อาจเกิดการระเบิด เช่น ในสถานที่ที่มีของเหลว แก๊ส หรือฝุ่นละอองที่มีคุณสมบัติไวไฟ เครื่องมือไฟฟ้าจะทำให้เกิดประกายไฟที่อาจทำให้เกิดลวองไฟหรือเปลวไฟขึ้นได้
- c. ระวังไม่ให้เด็กเล็กและคนเดินผ่านไปมาเข้าใกล้ในขณะที่ใช้งานเครื่องมือไฟฟ้า สิ่งรบกวนอาจทำให้คุณเสียสมาธิได้

2. ความปลอดภัยทางไฟฟ้า

- a. ปลั๊กไฟของเครื่องต้องเป็นชนิดเดียวกันตัวรับห้ามตัดแปลงปลั๊กไม่ว่าด้วยวิธีใดห้ามใช้ปลั๊กอะแดปเตอร์ใดๆ กับเครื่องมือไฟฟ้าที่ต่อสายดิน (ลงกราวด์) ปลั๊กที่ไม่มีการตัดแปลงและตัวรับชนิดเดียวกันจะช่วยลดความเสี่ยงจากการถูกไฟฟ้าช็อต
- b. หลีกเลี่ยงการสัมผัสพื้นผิวที่ต่อสายดินหรือลงกราวด์ เช่น ท่อ หม้อน้ำ เตาหุงต้ม และตู้เย็น มีความเสี่ยงเพิ่มขึ้นที่จะถูกไฟฟ้าช็อตหากร่างกายเป็นสื่อเชื่อมต่อกับดินหรือลงกราวด์
- c. อย่าให้เครื่องมือไฟฟ้าถูกฝนหรือเปียกน้ำ น้ำที่เข้าเครื่องมือไฟฟ้าจะเพิ่มความเสี่ยงในการเกิดไฟฟ้าช็อต

- d. ห้ามใช้สายไฟผิวดูดรูปประสงค์ห้ามใช้สายไฟเพื่อการหิ้ว ดึง หรือถอดปลั๊กเครื่องมือไฟฟ้าเก็บสายไฟให้พ้นจากความร้อน น้ำมัน ของมีคม หรือชิ้นส่วนที่กำลังเคลื่อนที่ สายไฟที่ชำรุดหรือพันกันเป็นการเพิ่มความเสี่ยงจากการถูกไฟฟ้าช็อต
- e. เมื่อใช้เครื่องมือไฟฟ้านอกอาคาร ให้ใช้สายต่อพ่วงที่เหมาะสมสำหรับการใช้งานนอกอาคาร การใช้สายไฟที่เหมาะสมสำหรับการใช้งานนอกอาคารจะช่วยลดความเสี่ยงจากการเกิดไฟฟ้าช็อต
- f. หากไม่สามารถหลีกเลี่ยงการใช้เครื่องมือไฟฟ้าในบริเวณที่ชื้นและได้ ให้ใช้อุปกรณ์ป้องกันไฟฟ้าสะสม (RCD) การใช้ RCD จะเป็นการลดความเสี่ยงจากการถูกไฟฟ้าช็อต

3. ความปลอดภัยส่วนบุคคล

- a. ดิ้นตัวและมีสมาธิกับสิ่งที่คุณกำลังทำ รวมทั้งใช้สามัญสำนึกในขณะที่กำลังใช้งานเครื่องมือไฟฟ้าห้ามใช้เครื่องมือไฟฟ้าในขณะที่คุณกำลังเหนื่อยหรือได้รับอิทธิพลจากยา แอลกอฮอล์ หรือการรับประทานบางอย่าง การขาดความระมัดระวังในการใช้เครื่องมือไฟฟ้าแม้ชั่วขณะหนึ่งอาจทำให้บาดเจ็บสาหัสได้
- b. ใช้อุปกรณ์คุ้มครองความปลอดภัยส่วนบุคคลสวมอุปกรณ์ป้องกันดวงตาเสมอ อุปกรณ์ป้องกัน เช่น หมวกกันน็อก รองเท้านิรภัยกันลื่น หมวกนิรภัย หรืออุปกรณ์ป้องกันเสียงดังที่ใช้ในสภาวะที่เหมาะสมจะช่วยลดอาการบาดเจ็บทางร่างกาย
- c. ป้องกันเครื่องเปิดทำงานโดยไม่ตั้งใจสวิตช์ต้องอยู่ในตำแหน่งปิดก่อนที่จะเสียบปลั๊กเข้ากับแหล่งจ่ายไฟ และ/หรือ ชุดแบตเตอรี่ หรือก่อนจะยกหรือหัวเครื่องมือ การขาดเครื่องมือไฟฟ้าในขณะที่นิ้วอยู่ที่สวิตช์ หรือใช้เครื่องมือไฟฟ้าที่สวิตช์เปิดอยู่ อาจทำให้เกิดอุบัติเหตุได้
- d. ถอดกุญแจปรับตั้งหรือประแจออกก่อนเปิดสวิตช์เครื่องมือไฟฟ้า ประแจหรือกุญแจที่เสียบค้างอยู่ในชิ้นส่วนที่หมุนได้ของเครื่องมือไฟฟ้าอาจทำให้เกิดการบาดเจ็บได้
- e. ห้ามยืนเขย่งเท้าขณะใช้เครื่องควรรยืนในท่าที่เหมาะสมและสมดุลตลอดเวลา เพื่อช่วยในการควบคุมเครื่องมือไฟฟ้าได้ดียิ่งขึ้นในสถานการณ์ที่ไม่คาดคิด
- f. แต่งกายให้เหมาะสมห้ามสวมเสื้อผ้าหลวมหรือใส่เครื่องประดับรวมทั้งหมวก สายเสื้อ และถุงมือให้ห่างจากชิ้นส่วนที่กำลังหมุน เสื้อผ้าที่หลวมหรือยารุ่นร่วม เครื่องประดับ หรือผมที่ยาวอาจเข้าไปพันกับชิ้นส่วนที่กำลังหมุน

- g. หากมีอุปกรณ์สำหรับดูดและเก็บฝุ่น ต้องตรวจสอบให้แน่ใจว่าได้เชื่อมต่อและใช้งานอุปกรณ์นั้นอย่างเหมาะสม การใช้อุปกรณ์เก็บฝุ่นจะช่วยลดอันตรายที่เกี่ยวข้องกับฝุ่นได้
4. การใช้และการดูแลรักษาเครื่องมือไฟฟ้า
- a. ห้ามฝืนใช้เครื่องมือไฟฟ้าเลือกใช้เครื่องมือไฟฟ้าที่ถูกต้องตรงกับลักษณะการใช้งานของคุณ เครื่องมือไฟฟ้าที่ถูกต้องย่อมทำงานได้ดีกว่าและปลอดภัยกว่า เมื่อใช้งานตามที่คิดที่เครื่องมือได้รับการออกแบบมา
- b. ห้ามใช้เครื่องมือไฟฟ้าถ้าสวิทช์เปิดปิดเครื่องไม่ทำงาน เครื่องมือไฟฟ้าที่ไม่สามารถควบคุมผ่านสวิทช์ได้ ถือว่ามีอันตรายและต้องส่งซ่อม
- c. ถอดปลั๊กของเครื่องมือไฟฟ้าออกจากแหล่งจ่ายไฟ และ/หรือ แบตเตอรี่ก่อนทำการปรับแต่ง เปลี่ยนอุปกรณ์เสริม หรือจัดเก็บ มาตรการเพื่อความปลอดภัยเชิงการป้องกันจะช่วยลดความเสี่ยงในการปล่อยเปิดเครื่องให้ทำงานโดยไม่ได้ตั้งใจ
- d. เก็บเครื่องมือไฟฟ้าที่ไม่ได้ใช้งานไว้ให้พ้นมือเด็ก และไมอนุญาตให้บุคคลที่ไม่คุ้นเคยกับเครื่องมือไฟฟ้าหรือข้อปฏิบัติเหล่านี้เป็นผู้ใช้เครื่องมือ เครื่องมือไฟฟ้าจะเป็นอันตรายหากอยู่ในมือผู้ใช้ที่ไม่มีความชำนาญ
- e. บำรุงรักษาเครื่องมือไฟฟ้าตรวจสอบว่าชิ้นส่วนที่เคลื่อนที่ได้มีการวางไม่ตรงแนวหรือติดขัดหรือไม่ มีชิ้นส่วนที่แตกหัก และสภาพอื่นใดที่อาจส่งผลกระทบต่อการทำงานของเครื่องมือไฟฟ้าหรือไม่ หากชำรุดเสียหาย ให้นำเครื่องมือไปส่งซ่อมก่อนนำมาใช้ อุบัติเหตุจำนวนมากเกิดจากการดูแลรักษาเครื่องมือไฟฟ้าไม่ได้พบ
- f. เครื่องมือตัดตัดต้องคมและสะอาดอยู่เสมอ เครื่องมือตัดที่ได้รับการดูแลรักษาอย่างถูกต้อง และมีขอบตัดคมจะมีปัญหาติดขัดน้อย และควบคุมได้ง่ายกว่า
- g. ใช้เครื่องมือไฟฟ้า อุปกรณ์เสริม และชุดอุปกรณ์ต่าง ให้สอดคล้องกับข้อปฏิบัติเหล่านี้ โดยพิจารณาถึงสภาพการทำงานและงานที่ทำให้เป็นสำคัญ การใช้เครื่องมือไฟฟ้าทำงานอื่นนอกเหนือจากที่กำหนดไว้อาจทำให้เกิดอันตรายได้
5. การใช้และการดูแลรักษาแบตเตอรี่
- a. ชาร์จแบตเตอรี่ด้วยเครื่องชาร์จที่ผู้ผลิตแนะนำเท่านั้น เครื่องชาร์จที่เหมาะสมกับแบตเตอรี่แบบหนึ่งอาจทำให้เกิดไฟไหม้ได้ถ้านำมาใช้กับแบตเตอรี่อีกแบบหนึ่ง

- b. ใช้เครื่องมือไฟฟ้าเฉพาะกับก้อนแบตเตอรี่ที่ออกแบบมาเป็นพิเศษเท่านั้น การใช้แบตเตอรี่แบบอื่นอาจทำให้เกิดการบาดเจ็บหรือเกิดไฟไหม้ได้
- c. เมื่อไม่ได้ใช้ก้อนแบตเตอรี่ ให้เก็บออกห่างจากวัตถุอื่นๆ ที่เป็นโลหะ เช่น คลิปหนีบกระดาษ เหรียญ กุญแจ เข็ม สกรูหรือวัตถุขนาดเล็กอื่นๆ ที่ทำจากโลหะที่อาจทำให้เกิดการเชื่อมต่อจากขั้วหนึ่งไปอีกขั้วหนึ่ง การสวดวงจรบริเวณขั้วแบตเตอรี่อาจทำให้เกิดรอยไหม้หรือไฟไหม้ได้
- d. เมื่ออยู่ภายใต้สภาวะที่ไม่เหมาะสมอาจมีของเหลวไหลออกมาจากแบตเตอรี่ ให้หลีกเลี่ยงการสัมผัสกับของเหลวนี้หากมีเก็ยสัมผัสโดยไม่ได้ตั้งใจ ให้ล้างด้วยน้ำปริมาณมากหากของเหลวกระเด็นเข้าตา ควรรีบไปพบแพทย์ ของเหลวที่ออกมาจากแบตเตอรี่อาจทำให้เกิดอาการระคายเคืองหรือรอยไหม้ได้
6. การบริการ
- a. ให้ช่างซ่อมที่มีความเชี่ยวชาญเป็นผู้ซ่อมเครื่องมือ และใช้อะไหล่เท่านั้น ซึ่งจะช่วยให้มั่นใจได้ว่าเครื่องมือไฟฟ้ายังมีความปลอดภัยอยู่

คำแนะนำเพื่อความปลอดภัยพิเศษสำหรับไขควงไฟฟ้า

จับเครื่องมือไฟฟ้าที่พื้นผิวส่วนที่ไขจับซึ่งมีฉนวนป้องกันเท่านั้น เมื่อใช้งานเครื่องกั้นงานที่ด้วยดีอาจสัมผัสกับสายไฟที่ซ่อนอยู่ ด้วยที่สัมผัสกับสายไฟ "ที่มีไฟฟ้า" อาจทำให้ส่วนของโลหะที่ถูกสัมผัส "มีไฟฟ้า" และทำให้ผู้ใช้เครื่องถูกไฟดูดได้ เสี่ยงปลั๊กเครื่องชาร์จกับแหล่งจ่ายไฟหลักที่มีแรงดันไฟฟ้าถูกต้องตามที่ระบุในข้อมูลทางเทคนิคเท่านั้น ชาร์จแบตเตอรี่ด้วยเครื่องชาร์จที่ใหม่เท่านั้นก่อนเริ่มการทำงานบนผนัง พื้น หรือพื้นที่ในลักษณะเดียวกัน ตรวจสอบให้แน่ใจว่ามีกริปสวิทช์ซึ่งแหล่งจ่ายไฟหลักของสายไฟฟ้าทั้งหมดในบริเวณพื้นที่ทำงาน แล้วตรวจสอบตำแหน่งของรูที่จะเจาะว่ามีสายไฟหรือแนวท่อของสาธารณูปโภคใดๆ (เช่น ท่อน้ำ ท่อแก๊ส สายไฟ) หรือไม่ ก่อนทำการเจาะใช้อุปกรณ์ที่เหมาะสม เช่น อุปกรณ์ตรวจสอบโลหะหรือสายไฟหากไม่แน่ใจโปรดติดต่อช่างไฟที่มีความเชี่ยวชาญหรือหน่วยงานให้บริการสาธารณูปโภคของคุณในระหว่างการเจาะทั้งตัวเครื่องมือและชิ้นงานจะร้อนขึ้นได้อย่างมากปล่อยให้เครื่องมือเย็นลงสักพักก่อนใช้ ต้องสวมถุงมือที่เหมาะสม

คำแนะนำความปลอดภัยสำหรับเครื่องชาร์จ

ข้อสำคัญ! อันตราย! ในไขควงไฟฟ้ามีแบตเตอรี่นิกเกิลแคดเมียมขนาด 1. 2 โวลต์ จำนวน 3 ก้อน อย่ทำทำให้เกิดการสวดวงจรหรือห้ามทำให้แบตเตอรี่เปียกน้ำ อย่เก็บแบตเตอรี่รวมกับชิ้นส่วนที่เป็นโลหะซึ่งอาจสัมผัสถูกและทำให้เกิดการสวดวงจรซึ่งจะทำให้เครื่องมือร้อนเกินไป แล้วเริ่มลุกไหม้หรือระเบิดได้

คำเตือน!

- 1. เครื่องมือนี้ไม่ได้มีไว้เพื่อการใช้งานโดยบุคคล (ซึ่งรวมถึงผู้เยาว์) ที่มีความสามารถทางกายภาพ ความสามารถทางการรับรู้ หรือความสามารถทางสมองบกพร่อง หรือบุคคลซึ่งขาดประสบการณ์และความรู้ เว้นเสียแต่จะได้รับการควบคุมดูแลหรือคำแนะนำการใช้งานเครื่องมือจากผู้รับผิดชอบความปลอดภัยของบุคคลเหล่านั้น
- 2. ห้ามชาร์จแบตเตอรี่ชนิดชาร์จซ้ำไม่ได้

สัญลักษณ์บนเครื่องมือ

รูปภาพและรหัสวันที่ต่อไปนี้จะปรากฏบนเครื่องมือ



คำเตือน! เพื่อลดความเสี่ยงต่อการบาดเจ็บ ผู้ใช้ต้องอ่านคู่มือการใช้งานเล่มนี้



เครื่องมือนี้มีรหัสประสงค์เพื่อการใช้งานในที่ร่มเท่านั้น



อ่านคู่มือเล่มนี้ทั้งหมดอย่างละเอียดก่อนใช้งานเครื่องมือนี้

ตำแหน่งของบาร์โค้ดวันที่

รหัสวันที่ ซึ่งรวมถึงปีที่ผลิต จะพิมพ์อยู่บนตัวเครื่องตัวอย่างเช่น:

2014 XX JN
ปีที่ผลิต

ความปลอดภัยทางไฟฟ้า



เครื่องมือนี้มีจำนวนสองชั้น ดังนั้นจึงไม่จำเป็นต้องต่อสายดินต้องตรวจสอบกำลังไฟเพื่อให้ตรงกับแรงดันไฟฟ้าบนแผ่นแสดงพิกัดเสมอห้ามเปลี่ยนสายปลั๊กไฟของเครื่องชาร์จเป็นสายปลั๊กไฟธรรมดาโดยเด็ดขาด

- ถ้าสายไฟของตัวเครื่องชำรุดเสียหาย ต้องได้รับการเปลี่ยนโดยผู้ผลิตหรือศูนย์บริการของ BLACK+DECKER ที่ได้รับอนุญาตเพื่อหลีกเลี่ยงอันตรายที่อาจเกิดขึ้นได้

ส่วนประกอบสำคัญของผลิตภัณฑ์

- 1. หัวจับดอก
- 2. ไฟ LED
- 3. สวิตช์
- 4. สวิตช์ไฟ LED

- 5. ไฟแสดงสถานะการชาร์จ
- 6. รูสำหรับเสียบเครื่องชาร์จ

การชาร์จแบตเตอรี่

การชาร์จตั้งที่แสดงไว้ต้องมีการปิดสวิตช์ไขควงไฟฟ้า ไฟแสดงสถานะพลังงานสีแดงจะติดขึ้นในขณะกำลังชาร์จ เวลาในการชาร์จ: 1-3 ชั่วโมง (B1), 3-5 ชั่วโมง (XD)

การใส่ดอกไขควง

ข้อสำคัญ! ปิดเครื่องมือทุกครั้งก่อนเปลี่ยนดอกไขควง เพื่อหลีกเลี่ยงเครื่องเปิดทำงานโดยไม่ตั้งใจ สวิตช์เปิด/ปิด

ใช้สวิตช์เปิด/ปิดเพื่อเปิดใช้งานเครื่องและกดสวิตช์ค้างไว้ในขณะที่ใช้งานอย่างต่อเนื่อง

การใช้งานเครื่องมือสำหรับการทำงาน

1. การใช้งานไขควงไฟฟ้า

ก่อนใช้งานเครื่องมือเป็นไขควงไฟฟ้า ให้ตรวจสอบว่าไดโอสวิตช์ไขควงถูกต้องหรือไม่ หลีกเลี่ยงการขิ้นสกรูแน่นเกินไป มิฉะนั้นอาจทำให้หัวสกรูหรือเกลียวชำรุดเสียหายได้

2. การใส่สกรู

กำหนดทิศทางการหมุนของไขควงไฟฟ้าตามเข็มนาฬิกา วางดอกไขควงบนช่องของหัวสกรูจับดอกไขควงให้ตั้งตรงกับหัวสกรู มิฉะนั้นสกรูหรือหัวสกรูอาจชำรุดเสียหายได้ ออกแรงกดดอกไขควงไปที่สกรูด้วยแรงที่คงที่ในขณะที่กำลังขันสกรูเมื่อสกรูถูกขันเข้าไปจนสุดแล้ว ให้จับเครื่องมือให้แน่นแล้วปล่อยสวิตช์เปิด/ปิด มิฉะนั้นสกรูหรือหัวสกรูอาจชำรุดเสียหายได้หากไม่ปล่อยสวิตช์เปิด/ปิด โดยทันที แรงบิดที่สูงอาจทำให้ดอกไขควงหรือไขควงไฟฟ้าชำรุดเสียหายได้เช่นกัน

3. การถอดสกรู

กำหนดทิศทางการหมุนของไขควงไฟฟ้าทวนเข็มนาฬิกา วางดอกไขควงบนช่องของหัวสกรูจับดอกไขควงให้ตั้งตรงกับหัวสกรู มิฉะนั้นสกรูหรือหัวสกรูอาจชำรุดเสียหายได้ ออกแรงกดดอกไขควงไปที่สกรูด้วยแรงที่คงที่ในขณะที่กำลังขันสกรูออก

การบำรุงรักษาและการทำความสะอาด

ข้อควรคำนึง! ถอดแบตเตอรี่ออกก่อนทุกครั้งกระทำการใดๆ กับเครื่อง

หากต้องการทำความสะอาด ให้ใช้ผ้าขนหนูแห้งหรือหมาดๆ ไม่ให้ใช้ผ้าเปียก สารทำความสะอาดหลายชนิดประกอบด้วยสารเคมีที่อาจทำให้ชิ้นส่วนพลาสติกของ

เครื่องมือได้รับความเสียหายได้ ดังนั้น ห้ามใช้น้ำยาทำความสะอาดแบบแรงหรือไอไฟ เช่น น้ำมันเบนซิน ทินเนอร์ น้ำมันสน หรือสารทำความสะอาดอื่นๆ ที่มีลักษณะคล้ายกัน

หมั่นทำความสะอาดช่องระบายอากาศไม่ให้มีฝุ่นอุดตัน เพื่อป้องกันไม่ให้เครื่องร้อนเกินไป

แบตเตอรี่



แบตเตอรี่ของ BLACK+DECKER สามารถชาร์จซ้ำได้หลายครั้งเมื่อแบตเตอรี่หมดอายุการใช้งานแล้ว ให้นำแบตเตอรี่ไปกำจัดทิ้งโดยคำนึงถึงผลกระทบต่อสิ่งแวดล้อม

- ใช้แบตเตอรี่ให้หมด จากนั้นถอดแบตเตอรี่ออกจากอุปกรณ์
- แบตเตอรี่ชนิด NiCd, NiMH และ Li-Ion สามารถรีไซเคิลได้โปรดนำแบตเตอรี่เหล่านี้ไปยังตัวแทนซ่อมที่ได้รับการรับรองหรือศูนย์รีไซเคิลในท้องถิ่น

ข้อมูลด้านเทคนิค

KC3610	B1	XD
แรงดันไฟฟ้าตามพิกัด	โวลต์ 3.6	3.6
ความเร็วขณะไม่มีภาระโหลด	นาที่ 200	200
น้ำหนัก	กก. 0.26	0.26
เซลล์แบตเตอรี่	โวลต์ 1. 2 Ni-cd 600 mAh	1. 2 Ni-cd 600 mAh
แรงดันไฟฟ้าตามพิกัด	โวลต์ 220-240	220-240
แรงดันไฟออก	DC6V	DC6V
เวลาในการชาร์จ	1-3 ชั่วโมง	3-5 ชั่วโมง
เครื่องชาร์จ	HY06 Type1	Hy06 Type2
แรงดันไฟเข้า	Vac 220-240	220-240
กระแสไฟออก (DC)	มิลลิแอมป์ 300	200

ระดับแรงดันเสียงตามมาตรฐาน EN 60745:
แรงดันเสียง (Lpa) 56. 5 dB(A), ความไม่แน่นอน (K) 3 dB(A)
แรงดันเสียง (Lwa) 67. 5 dB(A), ความไม่แน่นอน (K) 3 dB(A)

ค่ารวมของการสั่นสะเทือน (tri-ax vector sum) ตามมาตรฐาน EN 60745:
Ah 0. 319 m/s² K=1. 5m/s²

การปกป้องสิ่งแวดล้อม



การเก็บรวบรวมแบบคัดแยกห้ามทิ้งผลิตภัณฑ์นี้รวมกับขยะในครัวเรือนปกติ

หากเมื่อใดก็ตามที่จำเป็นต้องเปลี่ยนผลิตภัณฑ์ BLACK+DECKER หรือถ้าเครื่องมือนี้ไม่เป็นประโยชน์อีกต่อไป อย่าทิ้งผลิตภัณฑ์นี้รวมกับขยะในครัวเรือน จัดการกับผลิตภัณฑ์นี้เพื่อให้พร้อมสำหรับการเก็บรวบรวมแบบคัดแยก



การเก็บรวบรวมแบบคัดแยกสำหรับบรรจุภัณฑ์และผลิตภัณฑ์ที่ใช้แล้วทำให้สามารถรีไซเคิลวัสดุและนำมาใช้งานอีกครั้งการนำวัสดุรีไซเคิลมาใช้ก็ครั้ง จะช่วยป้องกันมลพิษต่อสิ่งแวดล้อมและลดความต้องการวัตถุดิบ

ตามกฎหมายท้องถิ่นอาจมีการจัดเตรียมสถานที่สำหรับการเก็บรวบรวมแบบคัดแยกอุปกรณ์ไฟฟ้าที่ใช้ภายในครัวเรือนไว้ ณ แหล่งรับขยะของเทศบาล หรืออาจมีการรับอุปกรณ์ใช้แล้วจากตู้คูปองในกรณีที่คุณซื้อผลิตภัณฑ์ชิ้นใหม่

คุณสามารถตรวจสอบที่อยู่ของตัวแทนซ่อมที่ได้รับอนุญาตที่อยู่ใกล้คุณมากที่สุดได้โดยการติดต่อสำนักงานของ Black & Decker ในพื้นที่ของคุณตามที่อยู่ที่ระบุในคู่มือนี้ นอกจากนี้ ยังมีรายชื่อตัวแทนซ่อมที่ได้รับอนุญาตของ Black & Decker และข้อมูลการบริการหลังการขายของเรา และข้อมูลการติดต่อโดยละเอียดบนอินเทอร์เน็ตที่: [www. 2helpU. com](http://www.2helpU.com)

ข้อมูลการบริการ

Black & Decker มีเครือข่ายศูนย์บริการเต็มรูปแบบ ทั้งที่เป็นเจ้าของและศูนย์บริการที่ได้รับอนุญาต ตลอดจนพนักงานที่ผ่านการฝึกอบรมเพื่อให้บริการเกี่ยวกับเครื่องใช้ไฟฟ้าอย่างมีประสิทธิภาพและเชื่อถือได้ไม่ว่าคุณจะต้องการคำแนะนำด้านเทคนิค การซ่อมแซม หรืออะไหล่แท้จากโรงงาน โปรดติดต่อศูนย์ Black & Decker ใกล้บ้าน

หมายเหตุ

- เนื่องจาก Black & Decker มีนโยบายพัฒนาปรับปรุงผลิตภัณฑ์อย่างต่อเนื่อง ดังนั้น เราจึงขอสงวนสิทธิ์ในการเปลี่ยนแปลงข้อมูลจำเพาะของผลิตภัณฑ์โดยไม่แจ้งให้ทราบล่วงหน้า
- อุปกรณ์มาตรฐานและอุปกรณ์เสริมอาจแตกต่างกันในแต่ละประเทศ
- ข้อมูลจำเพาะของผลิตภัณฑ์อาจแตกต่างกันในแต่ละประเทศตัวเลือกผลิตภัณฑ์อาจมีจำหน่ายไม่ครบทุกรายการในบางประเทศ
- โปรดสอบถามรุ่นผลิตภัณฑ์ที่มีจำหน่ายจากตัวแทนจำหน่ายของ Black & Decker ในประเทศของคุณ

MỤC ĐÍCH SỬ DỤNG

Máy bắt vít BLACK+DECKER KC3610 được thiết kế để vận vít.

Dụng cụ này chỉ phù hợp với người tiêu dùng.

HƯỚNG DẪN AN TOÀN

Cảnh báo chung về an toàn cho dụng cụ điện cầm tay



Cảnh báo! Hãy đọc tất cả các cảnh báo và hướng dẫn về an toàn. Việc không tuân theo các cảnh báo và hướng dẫn được liệt kê dưới đây có thể gây giật điện, cháy nổ và/hoặc chấn thương nghiêm trọng.

Giữ lại mọi cảnh báo và hướng dẫn để sau này tham khảo.

Thuật ngữ “dụng cụ điện cầm tay” trong phần cảnh báo chỉ dụng cụ chạy bằng điện nguồn (có dây điện) hoặc dụng cụ chạy bằng pin (không có dây điện).

1. An toàn tại nơi làm việc

- a. **Khu vực làm việc phải sạch sẽ và đủ ánh sáng.** Những khu vực bừa bộn hoặc thiếu ánh sáng dễ gây tai nạn.
- b. **Không vận hành dụng cụ điện cầm tay trong các môi trường dễ cháy nổ, như các môi trường có chất lỏng, khí hoặc bụi dễ cháy.** Dụng cụ điện cầm tay tạo ra các tia lửa điện có thể gây cháy bụi hoặc bốc khói.
- c. **Không cho trẻ em và những người quan sát lại gần khi đang vận hành dụng cụ điện cầm tay.** Những lúc xao lãng có thể khiến bạn mất kiểm soát.

2. An toàn điện

- a. **Phích cắm của dụng cụ điện cầm tay phải vừa với ổ cắm.** Không được sửa đổi phích cắm dưới bất kỳ hình thức nào. Không được sử dụng các phích cắm tiếp hợp với những dụng cụ điện cầm tay có nối đất. Phích cắm nguyên trạng và ổ cắm phù hợp sẽ giúp giảm nguy cơ bị điện giật.
- b. **Tránh tiếp xúc với các bề mặt được nối đất như đường ống, lò sưởi, bếp nướng và tủ lạnh.** Nguy cơ bị điện giật sẽ cao hơn nếu cơ thể bạn tiếp xúc trực tiếp với đất.

- c. **Không để các dụng cụ điện cầm tay ngoài trời mưa hoặc ở nơi ẩm ướt.** Nước vào trong dụng cụ điện cầm tay sẽ làm tăng nguy cơ bị điện giật.
- d. **Không dùng dây điện cho các mục đích khác. Tuyệt đối không sử dụng dây điện để mang, kéo hoặc rút phích cắm dụng cụ điện cầm tay. Để dây điện cách xa nguồn nhiệt, dầu mỡ, các cạnh sắc hoặc các bộ phận chuyển động.** Dây điện bị hỏng hoặc bị vướng sẽ làm tăng nguy cơ bị điện giật.
- e. **Khi vận hành dụng cụ điện cầm tay ngoài trời, hãy sử dụng dây nối dài phù hợp để sử dụng ngoài trời.** Sử dụng dây điện phù hợp để sử dụng ngoài trời sẽ giúp giảm nguy cơ bị điện giật.
- f. **Nếu bắt buộc phải vận hành dụng cụ điện cầm tay ở nơi ẩm ướt, hãy sử dụng nguồn được bảo vệ bởi thiết bị ngắt mạch tự động (RCD).** Sử dụng RCD giúp giảm nguy cơ bị điện giật.

3. An toàn cá nhân

- a. **Hãy tập trung, chú ý vào những gì bạn đang làm và tỉnh táo khi vận hành dụng cụ điện cầm tay.** Không sử dụng dụng cụ điện cầm tay khi bạn đang mệt hoặc đang bị ảnh hưởng của ma túy, rượu hoặc thuốc. Chỉ một khoảnh khắc mất tập trung trong khi vận hành dụng cụ điện cầm tay cũng có thể dẫn đến chấn thương cá nhân nghiêm trọng.
- b. **Sử dụng thiết bị bảo hộ cá nhân. Luôn đeo kính bảo hộ.** Thiết bị bảo hộ như mặt nạ chống bụi, giày chống trượt, mũ cứng hoặc thiết bị bảo vệ tai - nếu được sử dụng ở những điều kiện phù hợp - sẽ giúp giảm các chấn thương cá nhân.
- c. **Tránh vô tình bật máy. Đảm bảo rằng công tắc ở vị trí tắt trước khi nối với nguồn điện và/hoặc pin, khi cầm hoặc mang dụng cụ.** Việc cầm dụng cụ điện cầm tay khi ngón tay đặt vào công tắc hoặc sạc pin cho dụng cụ điện cầm tay khi công tắc đang bật có thể gây tai nạn.
- d. **Hãy tháo hết khóa điều chỉnh hoặc cờ lê trước khi bật dụng cụ điện cầm tay.** Không tháo hết cờ lê hoặc khóa ra khỏi bộ phận quay của dụng cụ điện cầm tay có thể dẫn đến chấn thương cá nhân.

- e. **Không được vớ tay. Hãy đứng ở tư thế thích hợp và luôn giữ thăng bằng.** Điều đó giúp kiểm soát dụng cụ điện cầm tay tốt hơn trong các tình huống bất ngờ.
- f. **Mặc quần áo phù hợp. Không mặc quần áo rộng hoặc đeo đồ trang sức. Giữ cho tóc, quần áo và găng tay tránh xa các bộ phận chuyển động.** Quần áo rộng, đồ trang sức hoặc tóc dài có thể bị mắc vào các bộ phận chuyển động.
- g. **Nếu các thiết bị được cung cấp để nối các phương tiện hút hoặc gom bụi, hãy đảm bảo những thiết bị này được nối và sử dụng đúng cách.** Sử dụng thiết bị gom bụi có thể giảm các mối nguy hiểm liên quan đến bụi.
- ### 4. Sử dụng và bảo quản dụng cụ điện cầm tay
- a. **Sử dụng dụng cụ điện cầm tay phù hợp. Sử dụng dụng cụ điện cầm tay phù hợp với mục đích của bạn.** Dụng cụ phù hợp sẽ giúp bạn làm việc hiệu quả và an toàn hơn theo đúng tốc độ được thiết kế.
- b. **Không sử dụng dụng cụ điện cầm tay nếu công tắc không bật và tắt được.** Những dụng cụ điện cầm tay không điều khiển được bằng công tắc đều rất nguy hiểm và cần phải được sửa chữa.
- c. **Rút phích cắm dụng cụ điện cầm tay ra khỏi nguồn điện và/hoặc pin ra khỏi dụng cụ điện cầm tay trước khi thực hiện các điều chỉnh, thay phụ kiện hoặc bảo quản dụng cụ điện cầm tay.** Các biện pháp an toàn phòng ngừa đó giúp giảm nguy cơ khởi động dụng cụ điện cầm tay một cách tình cờ.
- d. **Bảo quản các dụng cụ điện cầm tay không sử dụng tránh xa tầm tay trẻ em và không cho phép những người không quen với dụng cụ điện cầm tay hoặc không những hướng dẫn này vận hành dụng cụ điện cầm tay.** Dụng cụ điện cầm tay sẽ rất nguy hiểm khi được sử dụng bởi những người chưa được huấn luyện.
- e. **Bảo trì dụng cụ điện cầm tay. Kiểm tra các bộ phận di chuyển xem có bị lắp lệch hoặc kẹt không, các bộ phận có bị vỡ không và bất kỳ tình trạng nào khác có thể ảnh hưởng đến việc vận hành dụng cụ.** Nếu dụng cụ điện cầm tay bị hỏng, hãy sửa chữa trước khi sử dụng. Rất nhiều tai nạn xảy ra do công tác bảo trì các dụng cụ điện cầm tay kém.
- f. **Đảm bảo các thiết bị cắt luôn sắc và sạch sẽ.** Các dụng cụ cắt được bảo trì đúng cách với các cạnh cắt sắc sẽ ít bị kẹt hơn và dễ điều khiển hơn.
- g. **Sử dụng dụng cụ điện cầm tay, các phụ kiện và mũi khoan, v. v. theo hướng dẫn này, chú ý đến các điều kiện làm việc và công việc cần thực hiện.** Sử dụng dụng cụ điện cầm tay sai mục đích có thể gây nguy hiểm.
- ### 5. Sử dụng và bảo quản pin
- a. **Chỉ sạc lại pin bằng bộ sạc do nhà sản xuất quy định.** Bộ sạc chỉ thích hợp cho một loại pin có thể tạo nguy cơ cháy khi được sử dụng với loại pin khác.
- b. **Chỉ sử dụng dụng cụ điện cầm tay với các loại pin được chỉ định cụ thể.** Sử dụng các bộ pin khác có thể tạo nguy cơ bị chấn thương và nguy cơ cháy.
- c. **Khi không sử dụng pin, để pin tránh xa các vật dụng kim loại như kẹp giấy, tiền đồng, chìa khóa, đinh, vít hay các vật dụng kim loại nhỏ khác có thể tạo kết nối từ cực này sang cực khác.** Trường hợp các cực của pin bị chạm mạch với nhau có thể gây hỏa hoạn.
- d. **Trong các điều kiện sử dụng cho nhiều mục đích khác, có thể bơm chất lỏng từ pin; tránh tiếp xúc. Nếu vô tình tiếp xúc, rửa lại bằng nước. Nếu chất lỏng dính vào mắt, hãy đến cơ sở y tế nhờ can thiệp.** Chất lỏng chảy ra từ pin có thể gây kích ứng hoặc bỏng da.
- ### 6. Bảo dưỡng
- a. **Hãy để nhân viên bảo dưỡng có chuyên môn tiến hành bảo dưỡng dụng cụ điện cầm tay cho bạn và chỉ sử dụng các bộ phận thay thế chính hãng.** Điều này giúp đảm bảo độ an toàn của dụng cụ điện đồ.

HƯỚNG DẪN AN TOÀN ĐẶC BIỆT DÀNH CHO MÁY BÁT VÍT

Chỉ cầm dụng cụ điện cầm tay ở phần bề mặt tay cầm cách điện khi thực hiện thao tác mà mô cạp có thể tiếp xúc với hệ thống dây điện chìm. Mô cạp tiếp xúc với dây "có điện" có thể khiến các bộ phận kim loại hở của dụng cụ điện cầm tay "nhằm điện" và khiến người vận hành bị giật điện. Chỉ cắm sạc pin vào nguồn điện áp phù hợp theo Bảng thông số kỹ thuật. Chỉ sạc lại pin bằng bộ sạc được cung

cấp. Trước khi bắt đầu bất cứ công việc nào trên trường, sân nhà hoặc các nơi tương tự, hãy đảm bảo ngắt điện tất cả các đường dây điện trong khu vực làm việc tại bảng điều khiển chính. Kiểm tra vị trí lỗ khoan dự kiến xem có bất kỳ đường dịch vụ tiện ích (ví dụ: nước, khí ga, điện) nào không trước khi khoan. Sử dụng thiết bị phù hợp chẳng hạn như thiết bị cảm biến đường dây điện hoặc kim loại. Nếu nghi ngờ, bạn hãy liên hệ với thợ điện có chuyên môn hoặc nhà cung cấp dịch vụ tiện ích của mình. Cả dụng cụ và phôi gia công đều có thể nóng lên đáng kể trong quá trình khoan. Chỉ cầm khi dụng cụ và phôi gia công đủ nguội. Đeo găng tay phù hợp.

Tư vấn an toàn dành cho bộ sạc

Quan trọng! Nguy hiểm! Máy bắt vít này sử dụng 3 cục pin Ni-cd 1,2V. Không được làm ngắn mạch pin hoặc để pin ở nơi ẩm ướt. Không cất pin cùng với các linh kiện kim loại để tránh tình trạng chập mạch các điểm tiếp xúc. Máy có thể bị quá nóng, gây cháy hoặc nổ.

Cảnh báo!

1. Không cho phép những người (bao gồm cả trẻ em) bị suy giảm năng lực thể chất, trí tuệ hoặc cảm giác, hay người thiếu kinh nghiệm và kiến thức sử dụng thiết bị này, trừ khi có sự giám sát hoặc hướng dẫn của người chịu trách nhiệm về vấn đề an toàn của họ.
2. Không sạc lại loại pin dùng một lần.

Ký hiệu trên dụng cụ

Trên thiết bị có các ký hiệu sau cùng với mã ngày:



Cảnh báo! Để giảm nguy cơ chấn thương, người dùng phải đọc hướng dẫn sử dụng.



Chỉ sử dụng bộ sạc trong nhà.



Đọc cẩn thận toàn bộ hướng dẫn này trước khi sử dụng thiết bị.

Vị trí mã ngày

Mã ngày, bao gồm cả năm sản xuất, được in trên vỏ máy. Ví dụ:

2014 XXJN
Năm sản xuất

An toàn điện



Bộ sạc của bạn đã được cách điện kép; do vậy không cần dây nối đất. Luôn kiểm tra điện áp nguồn xem có bằng với điện áp trên tấm định mức hay không. Tuyệt đối không cố thay thế bộ sạc bằng phích cắm thông thường.

- Dây cắm điện bị hỏng phải được thay thế bởi nhà sản xuất hoặc trung tâm bảo hành BLACK+DECKER được ủy quyền để tránh gây nguy hiểm.

TÍNH NĂNG SẢN PHẨM

1. Đầu giữ mũi vít
2. Đèn LED
3. Công tắc
4. Công tắc LED
5. Đèn báo sạc
6. Lỗ sạc

Sạc pin

Phải tắt máy bắt vít trước khi sạc, như được minh họa trong hình. Chỉ đèn đỏ phát sáng trên đèn báo nguồn khi bạn sạc. Thời gian sạc: 1-3 giờ (B1), 3-5 giờ (XD).

Lắp mũi vít

Quan trọng! Luôn tắt máy trước khi bạn thay mũi vít để tránh vô tình khởi động máy.

Nút bật/tắt

Sử dụng nút bật/tắt để khởi động máy và tiếp tục nhấn để máy hoạt động liên tục.

Vận hành để làm việc

1. **Trước khi sử dụng máy bắt vít, cần kiểm tra xem mũi vít có được lắp đúng cách hay chưa.**

Không nên vận vít chặt quá, nếu không đầu vít có thể bị hỏng hoặc tròn ren.

2. Lắp vít

Chọn hướng xoay theo chiều kim đồng hồ Lắp mũi vít vào khe trên đầu vít Giữ cho mũi vít vuông góc với đầu vít, nếu không thanh vít hoặc đầu vít có thể bị hỏng. Ấn mũi vít vào thanh vít với một lực đều

đạn trong khi bắt vít. Sau khi thanh vít đã được lắp chặt, giữ chắc máy và nhà nút Bật/Tắt, nếu không thanh vít hoặc đầu vít có thể bị hỏng. Nếu không nhà ngay nút Bật/Tắt, lực xoắn cao có thể làm hỏng mũi vít hoặc máy bắt vít.

3. Tháo vít

Chọn hướng xoay ngược chiều kim đồng hồ.

Lắp mũi vít vào khe trên đầu vít

Giữ cho mũi vít vuông góc với đầu vít, nếu không thanh vít hoặc đầu vít có thể bị hỏng.

Ấn mũi vít vào thanh vít với một lực đều đặn trong khi tháo vít.

Bảo trì và vệ sinh

Chú ý! Luôn tháo pin trước khi thực hiện bất kỳ công việc nào trên máy. Để vệ sinh, hãy luôn sử dụng khăn khô hoặc ẩm nhưng không dùng khăn ướt. Nhiều chất tẩy chứa hóa chất có thể làm hỏng các bộ phận nhựa của máy. Do đó, không sử dụng bất kỳ chất tẩy rửa mạnh hoặc dễ cháy nào chẳng hạn như xăng, chất pha loãng sơn, dầu thông hoặc các sản phẩm vệ sinh tương tự.

Luôn vệ sinh sạch sẽ lỗ thông hơi để tránh hiện tượng quá nhiệt.

Pin



Pin của BLACK+DECKER cho phép sạc nhiều lần. Nếu tuổi thọ pin đã hết, cần cẩn trọng khi vứt bỏ pin để bảo vệ môi trường:

- Xả hết pin, sau đó tháo ra khỏi dụng cụ.
- Các loại pin NiCd, NiMH và Li-ion có thể tái chế được. Hãy mang pin đến bất kỳ đại lý sửa chữa được ủy quyền hoặc trạm tái chế nào gần nhất

Thông số kỹ thuật

KC3610	B1	XD
Điện áp định mức	V 3.6	3.6
Tốc độ không tải	phút ⁻¹ 200	200
Trọng lượng	kg 0.26	0.26
Pin	V 1.2 Ni-cd 600 mAh	1.2 Ni-cd 600 mAh
Điện áp định mức	V 220-240	220-240
Điện áp đầu ra	DC6V,	DC6V,
Thời gian sạc	1-3 hour	3-5 hour
Bộ sạc	HY-06type1	Hy06 Type2
Điện áp đầu vào	Vac 220-240	220-240
Dòng điện đầu ra (một chiều)	mA 300	200

Mức áp suất âm thanh theo EN 60745:

Áp suất âm thanh (L_{pa}) 56,5 dB(A), dao động (K) 3 dB(A)

Áp suất âm thanh (L_{wa}) 67.5 dB(A), dao động (K) 3 dB(A)

Tổng các giá trị rung (tổng vector ba trục) theo EN 60745:

Ah 0,319 m/s² K=1,5m/s²

BẢO VỆ MÔI TRƯỜNG



Thu gom riêng. Không được vứt bỏ sản phẩm này với rác thải sinh hoạt thông thường.



Nếu sản phẩm BLACK+DECKER của bạn cần phải thay thế, hoặc bạn không sử dụng nó trong tương lai nữa, đừng vứt bỏ cùng với rác thải sinh hoạt. Sản phẩm phải được thu gom riêng. Thu gom riêng sản phẩm và bao bì đóng gói đã qua sử dụng sẽ cho phép tái chế và tái sử dụng vật liệu. Tái sử dụng vật liệu tái chế giúp ngăn chặn ô nhiễm môi trường và giảm nhu cầu vật liệu thô.

Luật lệ địa phương có thể quy định việc thu gom riêng các sản phẩm điện gia dụng, tại các bãi rác thải đô thị hoặc bởi những người bán lẻ khi bạn mua sản phẩm mới

BLACK+DECKER cung cấp nơi thu gom và tái chế các sản phẩm của BLACK+DECKER khi các sản phẩm này đã hết hạn sử dụng. Để sử dụng dịch vụ

này, vui lòng trả lại sản phẩm cho đại lý sửa chữa được ủy quyền, nơi thay mặt công ty chúng tôi thu gom các sản phẩm này.

Bạn có thể kiểm tra vị trí của đại lý sửa chữa được ủy quyền gần nhất bằng cách liên hệ với văn phòng BLACK+DECKER tại nơi bạn sống theo địa chỉ cung cấp trong sổ tay hướng dẫn này. Ngoài ra, chúng tôi còn cung cấp danh sách các đại lý sửa chữa được ủy quyền của BLACK+DECKER và mọi thông tin chi tiết về dịch vụ hậu mãi và các thông tin liên hệ tại website: www.2helpU.com

Thông tin dịch vụ

Black & Decker có sẵn một mạng lưới các cơ sở dịch vụ trực thuộc và ủy quyền trên toàn Châu Á với đội ngũ nhân viên lành nghề để cung cấp tới khách hàng dịch vụ hiệu quả và đáng tin cậy. Khi bạn cần tư vấn kỹ thuật, sửa chữa hoặc phụ tùng thay thế chính hãng, vui lòng liên hệ với cơ sở Black & Decker gần nhất.

Lưu ý

- Chính sách của Black & Decker là không ngừng cải tiến sản phẩm và do đó, chúng tôi có quyền thay đổi thông số kỹ thuật sản phẩm mà không cần báo trước.
- Các thiết bị và phụ kiện chuẩn có thể khác nhau tùy theo từng quốc gia.
- Thông số kỹ thuật của sản phẩm có thể khác nhau tùy theo từng quốc gia.
- Danh mục sản phẩm hoàn chỉnh có thể không có mặt tại tất cả các quốc gia. Liên hệ với các đại lý của Black & Decker tại quốc gia bạn để được cung cấp danh mục sản phẩm.

