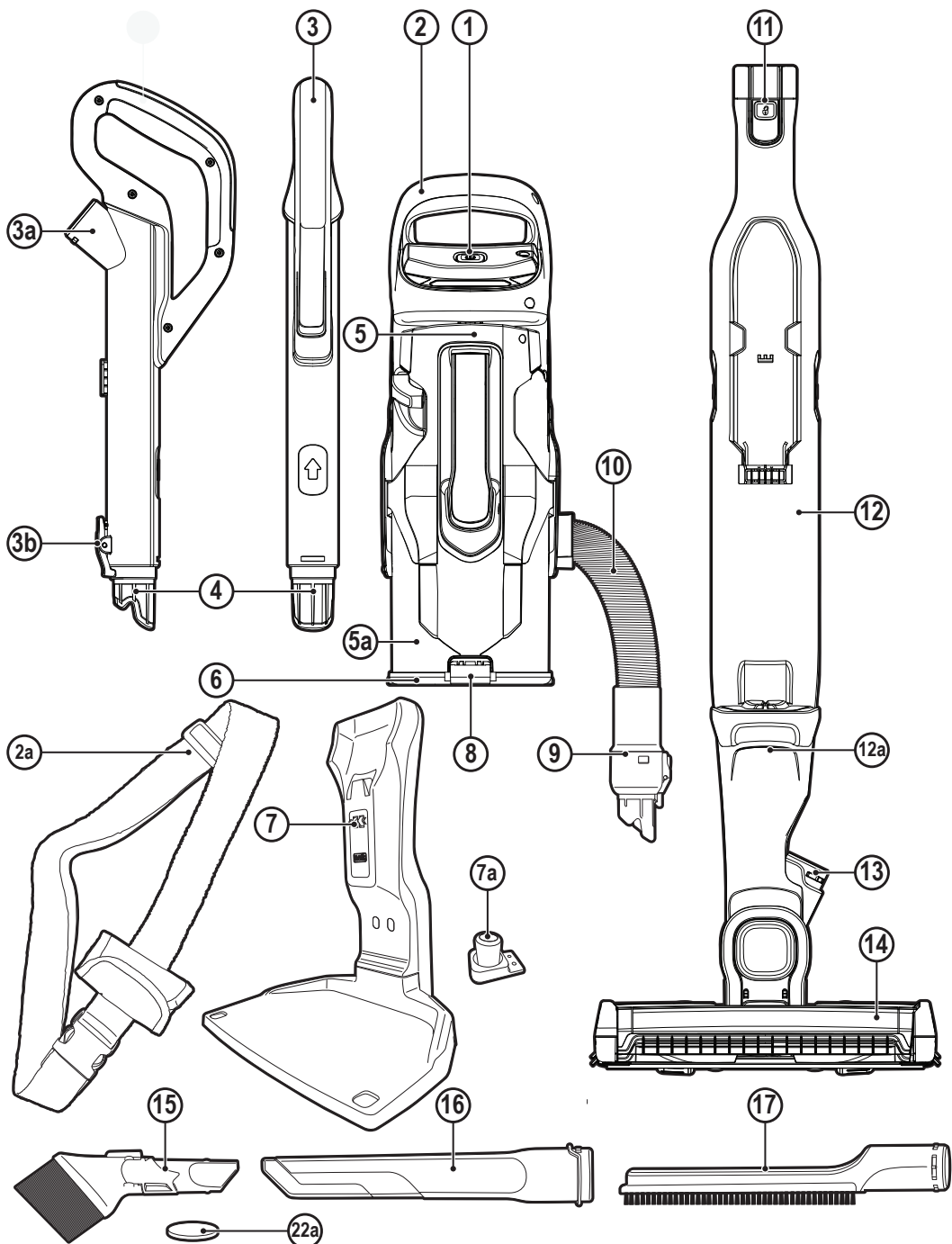
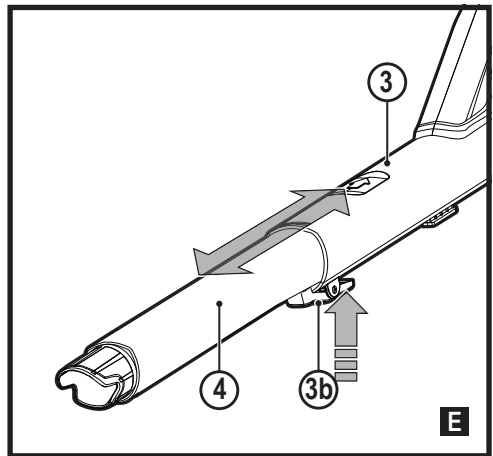
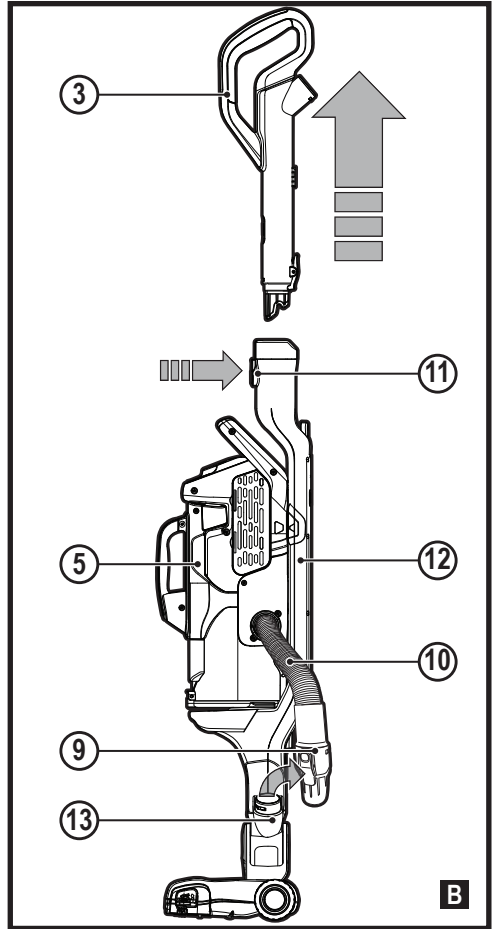
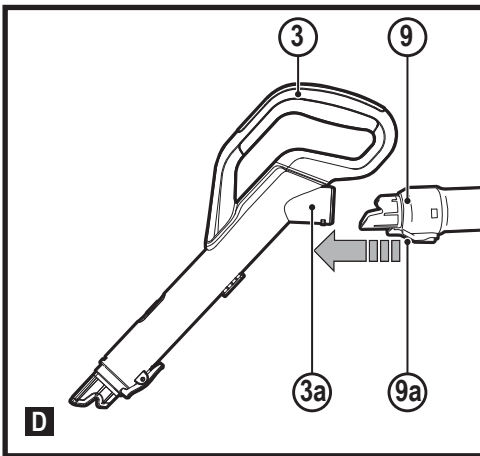
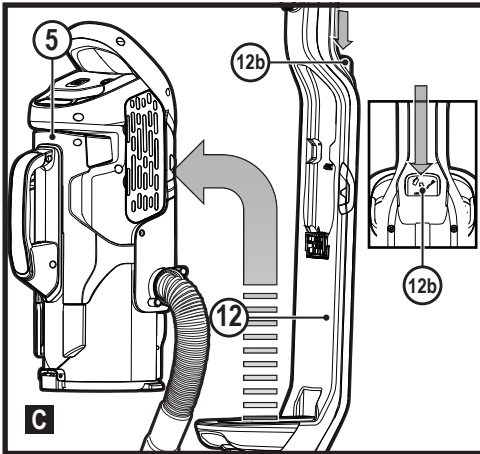
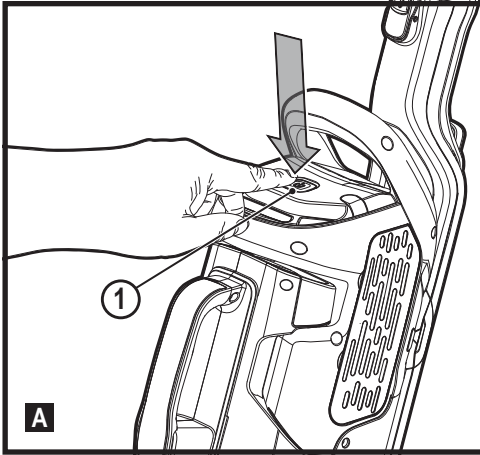
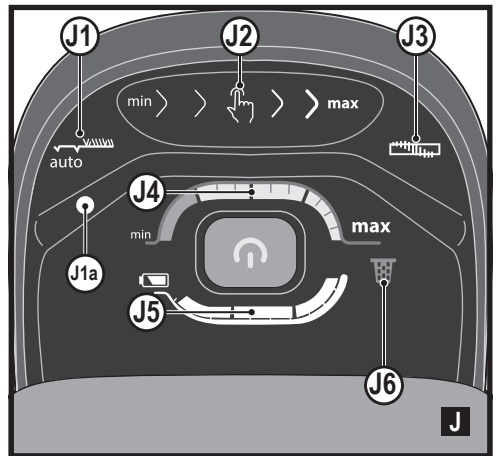
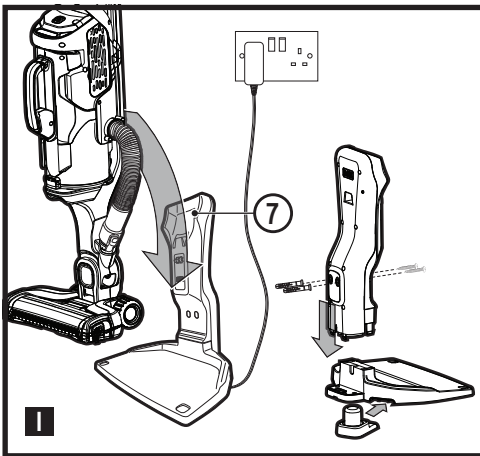
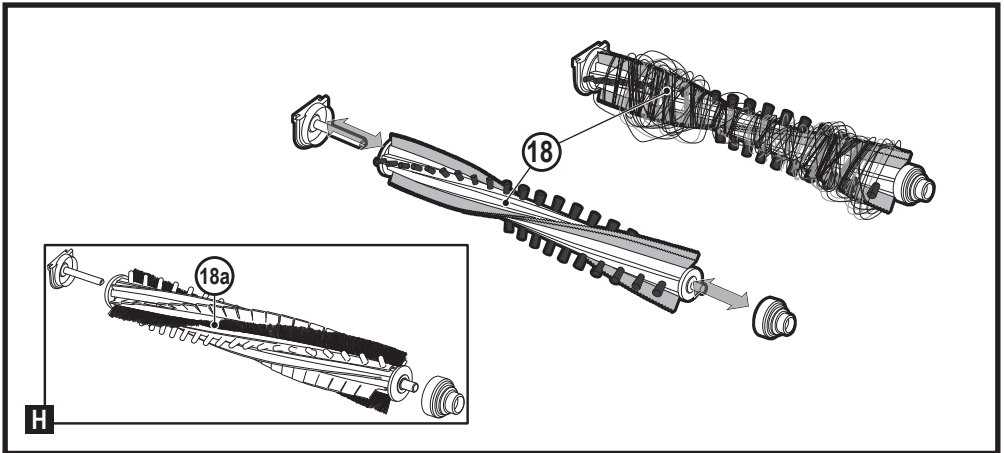
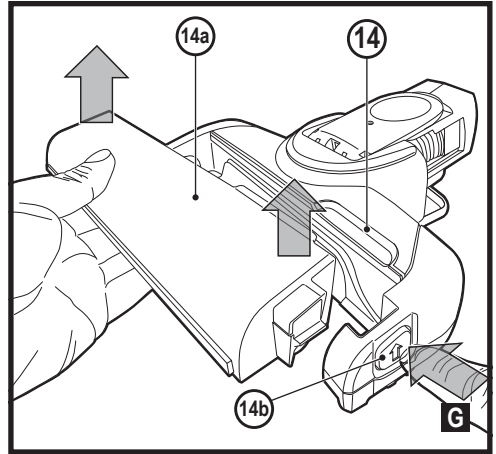
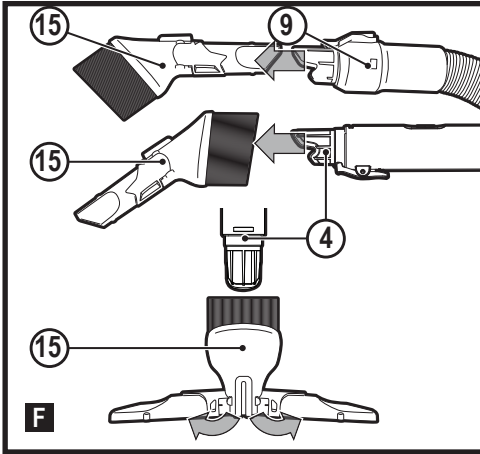


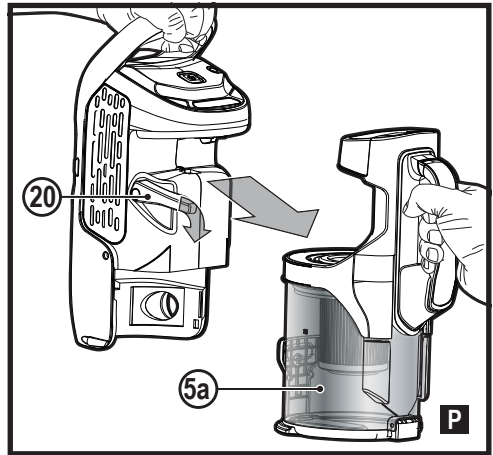
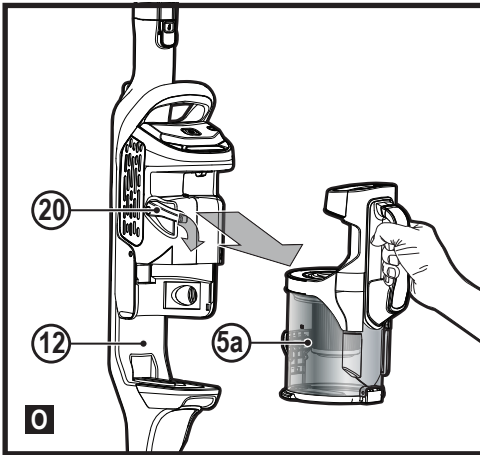
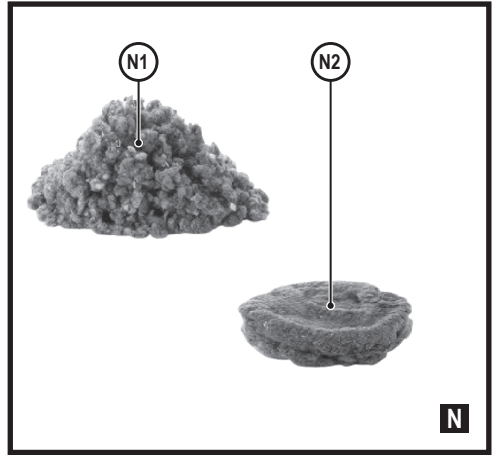
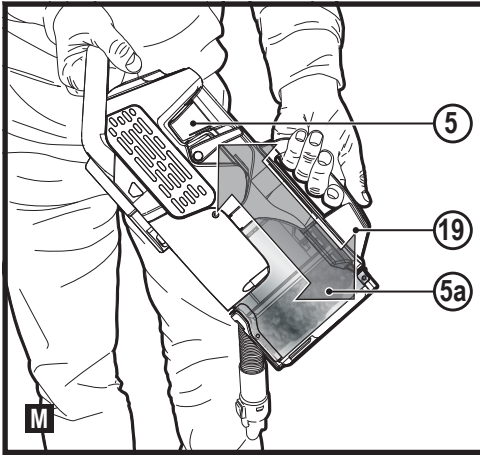
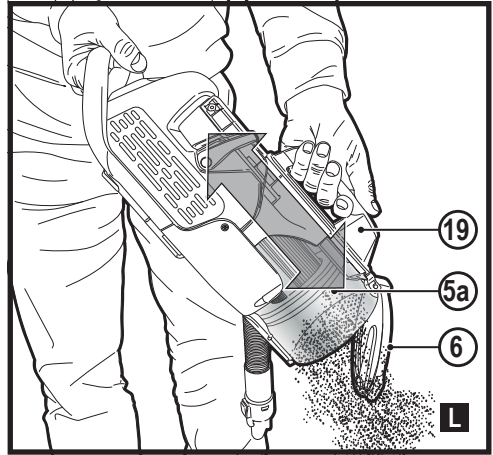
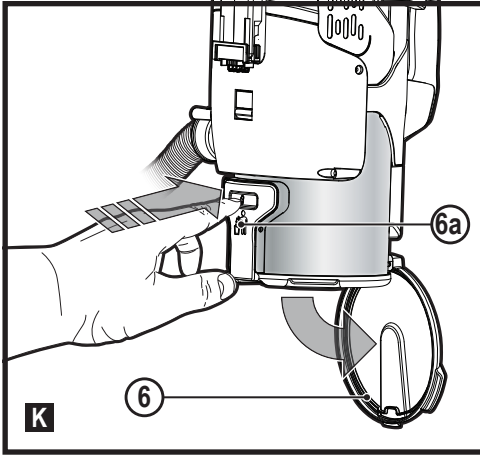
www.blackanddecker.com.au
www.blackanddecker.co.nz

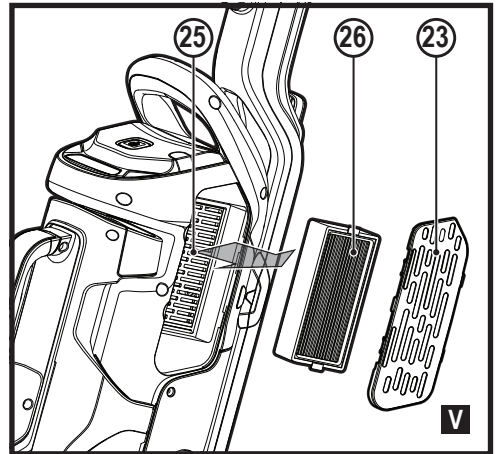
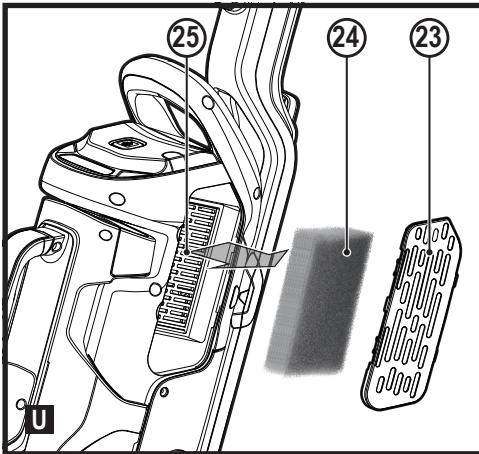
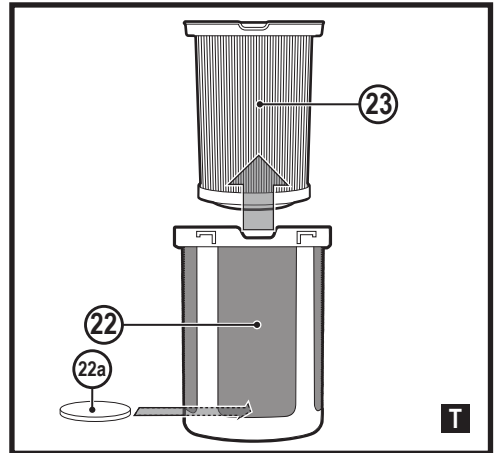
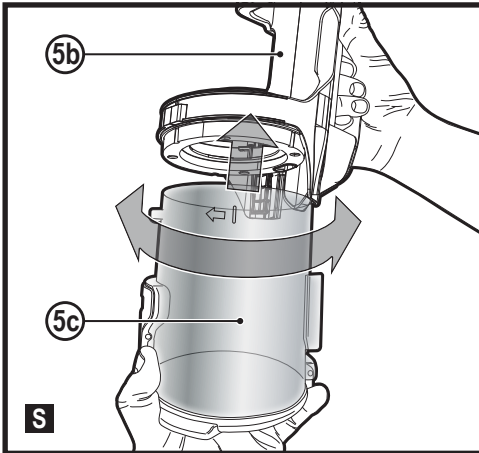
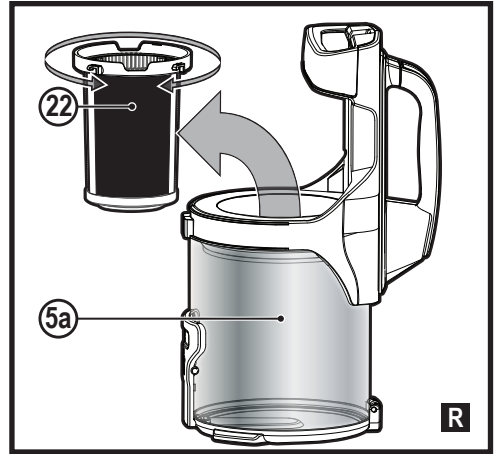
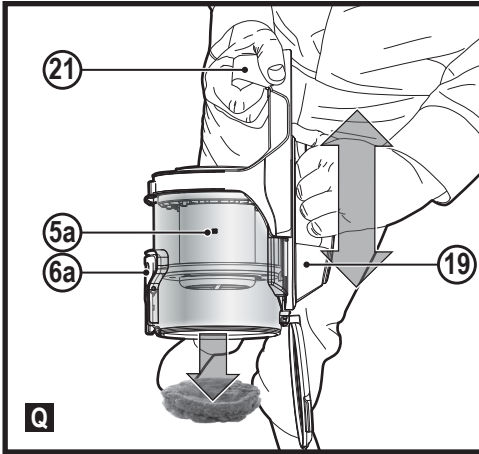
CUA525BH
CUA525BHP
CUA525BHA

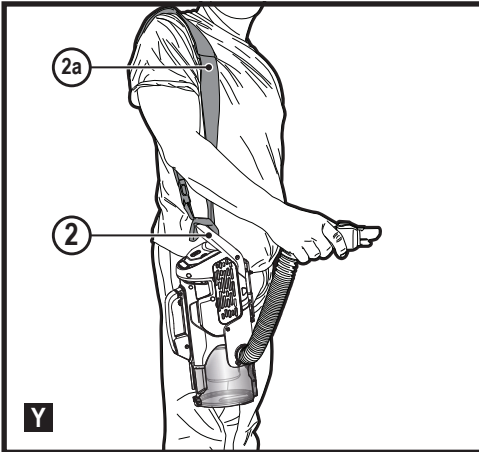
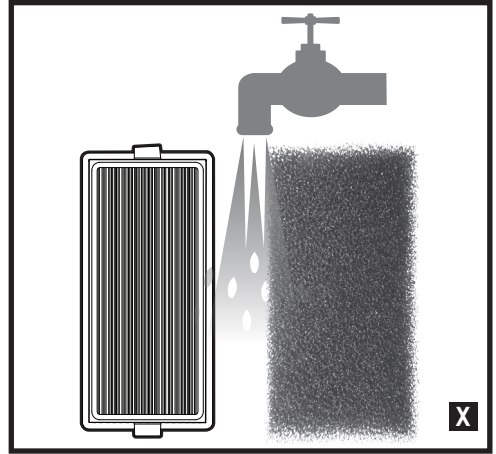
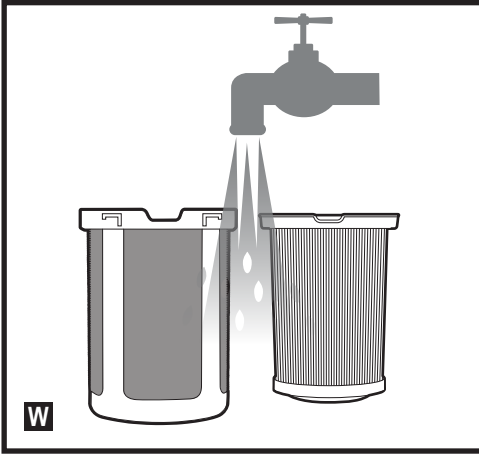












Intended use

Your BLACK+DECKER CUA525BH, CUA525BHP and CUA525BHA multi power vacuum cleaners have been designed for vacuum cleaning purposes. These appliance are intended for household use only.



Read all of this manual carefully before operating the appliance.

Safety instructions



Warning! Read all safety warnings and all instructions.

Failure to follow the warnings and instructions listed below may result in electric shock, fire and/or serious injury.

- ◆ The intended use is described in this manual. The use of any accessory or attachment or the performance of any operation with this appliance other than those recommended in this instruction manual may present a risk of personal injury.
- ◆ Retain this manual for future reference.

Using your appliance

- ◆ Do not use the appliance to pick up liquids or any materials that could catch fire.
- ◆ Do not use the appliance near water.
- ◆ Do not immerse the appliance in water.
- ◆ Never pull the charger lead to disconnect the charger from the socket. Keep the charger lead away from heat, oil and sharp edges.

- ◆ This appliance can be used by children aged from 8 years and above and persons with reduced physical, sensory or mental capabilities or lack of experience and knowledge if they have been given supervision or instruction concerning use of the appliance in a safe way and understand the hazards involved. Children shall not play with the appliance. Cleaning and user maintenance shall not be made by children without supervision.

Inspection and repairs

Before use, check the appliance for damaged or defective parts. Check for breakage of parts, damage to switches and any other conditions that may affect its operation.

- ◆ Do not use the appliance if any part is damaged or defective.
- ◆ Have any damaged or defective parts repaired or replaced by an authorized repair agent.
- ◆ Regularly check the charger lead for damage. Replace the charger if the lead is damaged or defective.
- ◆ Never attempt to remove or replace any parts other than those specified in this manual.

Additional safety instructions

After use

- ◆ Unplug the charger before cleaning the charger or charging base.

- ◆ When not in use, the appliance should be stored, fully charged, in a dry place.
- ◆ Children should not have access to stored appliances.

Residual risks

Additional residual risks may arise when using the tool which may not be included in the enclosed safety warnings. These risks can arise from misuse, prolonged use etc.

Even with the application of the relevant safety regulations and the implementation of safety devices, certain residual risks can not be avoided.

These include:

- ◆ Injuries caused by touching any rotating/moving parts.
- ◆ Injuries caused when changing any parts, blades or accessories.
- ◆ Injuries caused by prolonged use of a tool. When using any tool for prolonged periods ensure you take regular breaks.
- ◆ Impairment of hearing.
- ◆ Health hazards caused by breathing dust developed when using your tool (example:- working with wood, especially oak, beech and MDF.)

Chargers

Your charger has been designed for a specific voltage. Always check that the mains voltage corresponds to the voltage on the rating plate.

Warning! Never attempt to replace the charger unit with a regular mains plug.

- ◆ Use your BLACK+DECKER charger only to charge the battery in the appliance with which it was supplied. Other batteries could burst, causing personal injury and damage.
- ◆ Never attempt to charge non-rechargeable batteries.
- ◆ If the supply cord is damaged, it must be replaced by the manufacturer or an authorised BLACK+DECKER Service Centre in order to avoid a hazard.
- ◆ Do not expose the charger to water.
- ◆ Do not open the charger.
- ◆ Do not probe the charger.
- ◆ The appliance/battery must be placed in a well ventilated area when charging.

3. Handle / wand
- 3a. Flexible tube port
- 3b. Tube extension latch
4. Extendable crevice tool
5. Hand held vac
- 5a. Dust bowl
6. Dust bowl lid
7. Charging base
- 7a. Accessory holder
8. Dust bowl lid hinge
9. Hose connector
10. Flexible hose
11. Handle / wand release button
12. Chassis
- 22a. Light
13. Chassis hose port
14. Floor head
15. 3-in-1 Accessory tool
16. Pet crevice tool (CUA525BHP only)
17. Long brush tool (CUA525BHA only)
- 22a. Scent disc (CUA525BHP only)

Use

Switching on and off (Fig. A)

- ◆ To switch on, press the on/off switch (1).
- ◆ Unit starts in mid performance setting. Performance can be adjusted using power control slider (J2) Left = min Right = max (as seen when in use from above).
- ◆ To switch off, press the on/off switch (1).

Note: Use the unit in high speed mode with beater bar switched on for carpet. Use the unit in low speed mode with beater bar switched off for hard wood and laminate flooring.

Note: The unit has an intuitive 'standby' mode that allows it to remember the last settings applied for a few minutes upon starting up.

Note: If leaving the appliance when in use, position the upright unit, in such a way that any inadvertent fall would contact a wall or corner and otherwise be away from people and pets.


Control panel (Fig. J)


The unit is equipped with a smart**tech** control panel providing Intelligent sensor technology for a more intuitive cleaning experience.


The features incorporated are:

Electrical safety

Symbols on the charger


 Read all of this manual carefully before using the appliance.


 This tool is double insulated; therefore no earth wire is required. Always check that the power supply corresponds to the voltage on the rating plate.

 The charging base is intended for indoor use only.

Labels on appliance

The following symbols appear on this appliance along with the date code

 Read all of this manual carefully before using the appliance

 Only use with charger S010Q 23 / SSC-230040XX

Features

This tool includes some or all of the following features.

1. On/off power switch
2. Handle
- 2a. Carrying strap



J1 FLOORSENSOR Touch Button

Intelligent floor sensor technology increases suction on carpets and switches to Economy Mode for lighter tasks, such as hard floor cleaning, thus optimising the battery run time this feature is active when the LED (J1a) is lit. In order to maximise runtime on all surfaces, switch this feature off by touching area (J1).



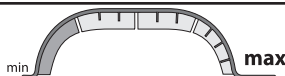
J2 Power control Touch Slider

Touch button panel allows you to control the level of power to the unit from minimum to maximum by sliding finger along this area.



J3 Beater bar Touch Button

Allows you to turn the beater bar function on and off.



J4 Power indicator

Allows you to monitor the level of power being used.



J5 BATTERYSENSOR Indicator

The LED battery indicator displays the remaining charge and warns you when the battery is low. The final LED will flash continuously when there is only 1 minute of runtime remaining. All LEDs will flash when the unit is discharged.



J6 FILTERSENSOR

Smart sensor technology automatically detects (the symbol will light red) when the filter becomes clogged and needs to be cleaned.

- ◆ Extend the crevice tool (4) as shown in figure E, until it clicks in place.
- ◆ To retract the crevice tool (4) press the tube extension latch (3b) allowing it to return to its normal position.

Using the 3-in-1 accessory tool (Fig. F)

- ◆ The 3-in-1 handle / wand (15) has three configurations.
 1. Brush mode.
 2. Small crevice mode.
 3. Upholstery mode.
- ◆ The 3-in-1 handle / wand can be fitted either directly to the hose connector 9 or to the extendable crevice tool (4) as shown in figure F.

Removing and clearing the beater bars (Fig. G, H)

- ◆ To remove the beater bar cassette (14a) from the floor head (14) Depress the release button (14b) as shown in figure G.
- ◆ The beater bar (18) can now be removed. The end pieces are also removable allowing you to clear the brushes from any hair or other debris that may have accumulated as shown in figure H.

Note: If an object gets caught in the beater bar it automatically stops. Turn the unit off, remove object and continue.

Note: The CUA525BHP unit is supplied with a specialised pet beater bar (18a) for cleaning pet hairs etc.

Charging (Fig. I)

- ◆ Place the appliance into the charging base (7) as shown in figure I.
- ◆ Plug the charging base (7) into an electrical outlet.
- ◆ Switch the electrical outlet on. The LED charging indicator will flash and increase in sections. LEDs go out when fully charged.
- ◆ The appliance must be charged for 6 hours.

Note: The Charging base is supplied with 2 screws and wall plugs for securing it to a wall, providing extra stability, as shown in figure I.

Battery Sensor LED Patterns

	Battery Fault (All LEDs)
	Charger Fault (All LEDs)
	Battery Hot (All LEDs)

Battery diagnostics

If the appliance detects a weak battery, the charging indicator will flash at a fast rate when the power button is activated.

Proceed as follows:

- ◆ Plug in the charger. Switch on at the mains.
- ◆ Leave the appliance to charge.

Note: The FILTERSENSOR LED will flash and the unit will automatically shut down when there is any obstruction in the flexible hose or filters which is causing the motor to overheat. Disconnect and remove the blockage immediately.

Using the handle / wand (Fig. B, C, D, E)

- ◆ Press the handle / wand release button (11) to free the handle / wand (3) from the chassis (12).
- ◆ Free the hose connector (9) from the chassis hose port (13) as shown in figure B.
- ◆ Press the chassis release button (12b) to release the hand held vac (5) from the chassis (12) as shown in figure C.
- ◆ Connect the hose connector (9) to the flexible tube port (3a) ensuring that the latch (9a) clicks securely into place as shown in figure D.

If the appliance detects a damaged battery, the charging indicator will flash at a fast rate when the appliance is on charge. Proceed as follows:

- ◆ Take the appliance and the charger to be tested at an authorised services centre.

Note: It may take as long as 60 minutes to determine that the battery is defective. If the battery is too hot or too cold, the LED will alternately blink, fast and slow, one flash at each speed and repeat.

Emptying the dust bowl (Fig. K, L, N)

- ◆ Holding the unit over a suitable waste receptacle, press the dust bowl release button (6a) to release the dust bowl lid (6) as shown in figure K.
- ◆ Push the compacting handle (19) down to empty the contents of the dust bowl (5a) as shown in figure L.

Compacting the contents of the dust bowl (Fig. M, N)

- ◆ With the dust bowl lid (6) closed, push the compacting handle down to compact the contents of the dust bowl (5a) to maximise dust collection as shown in figure N.

N1 = Before compacting. N2 = After compacting.

Releasing the dust bowl (Fig. O, P)

Note: The dust bowl can be released either from the unit while it is in chassis mode, as shown in figure O, or when being used in the lift away canister vac mode, as shown in figure P.

- ◆ Press the dust bowl release lever (20) down to release the dust bowl.
- ◆ Free the dust bowl (5a) from the lift away canister vac (5).
- ◆ Using the dust bowl handle (21) and holding the unit over a suitable waste receptacle, press the dust bowl release button (6a) to release the dust bowl lid (6) and push the compacting handle (19) down to empty the contents of the dust bowl (5a) as shown in figure Q.

Cleaning the dust bowl filters (Fig. R,S,T)

- ◆ Press the dust bowl release lever (20) down to release the dust bowl as shown in figure O.
- ◆ Lift the filter assembly (22) from the dust bowl (5a) by rotating anti clockwise as shown in figure R.

Note: The CUA525BHP unit pre filter is supplied with a scented disc in a foil wrapper (22a) which can be attached allowing for a pleasing odour to be released when the appliance is in use.

- ◆ The filter (23) can now be lifted out of the pre filter (22) as shown in figure T.
- ◆ The dust bowl can be separated into two parts, (5b) and (5c), for a more thorough cleaning as shown in figure S.
- ◆ Rinse out the dust-bowl with warm soapy water.
- ◆ Wash the filters with warm soapy water (Fig. W, X).

- ◆ Make sure the filters are dry
- ◆ Refit the filters into the appliance and ensure that they are correctly seated.
- ◆ Close the dust-bowl (5a). Reconnect to the lift away canister vac making sure the release latch (20) clicks into place.

Cleaning the hand held vac exhaust filters (Fig. U, V)

- ◆ Lift off the filter access panel (23), Exposing the filter chamber (25).
- ◆ The filter (24) can now be removed for cleaning.

Note: The CUA525BHA unit is equipped with a HEPA filter (26) to aid in protection from allergies.

- ◆ Both types of filters can be cleaned with warm soapy water (Fig. W, X).

Carrying strap (Fig. Y)

A carrying strap (2a) is supplied to allow easier utilisation of the hand held vac. This is easily connected to the handle (2) via a velcro fastener as shown in figure Y.

Maintenance

Warning! Before performing any maintenance or cleaning on the appliance, unplug the appliance.

From time to time wipe the appliance with a damp cloth.

Do not use any abrasive or solvent-based cleaner. Do not immerse the appliance in water.

Your BLACK+DECKER cordless appliance has been designed to operate over a long period of time with a minimum of maintenance. Continuous satisfactory operation depends upon proper tool care and regular cleaning.

Warning! Before performing any maintenance on cordless appliances:

- ◆ Unplug the charger before cleaning it. Your charger does not require any maintenance apart from regular cleaning.
- ◆ Regularly clean the ventilation slots in your appliance/charger using a soft brush or dry cloth.
- ◆ Regularly clean the motor housing using a damp cloth. Do not use any abrasive or solvent-based cleaner.

Replacing the filters

The filters should be replaced every 6 to 9 months and whenever worn or damaged. Replacement filters are available from your BLACK+DECKER dealer.

CUABF10 - Standard Filter Kit	Pleated Filter + Foam Exhaust
CUAHF10 - HEPA Kit	HEPA Pleated Filter + HEPA Exhaust

Warning for scented discs.



Cotton linen fragrance.

Wash face, hands and any exposed skin thoroughly after handling. Wear protective gloves/protective clothing/eye protection/face protection. If in eyes: Rinse cautiously with water for several minutes. Remove contact lenses if present and easy to do.

Continue rinsing. If skin irritation occurs: Get medical advice/attention. Avoid release into the environment. Do not ingest.

- ◆ Remove the old filters as described above.
- ◆ Fit the new filters as described above.

Protecting the environment



Separate collection. Products and batteries marked with this symbol must not be disposed of with normal household waste.

Products and batteries contain materials that can be recovered or recycled reducing the demand for raw materials. Please recycle electrical products and batteries according to local provisions. Further information is available at www.2helpU.com

Technical Data

		CUA525BH	CUA525BHP	CUA525BHA
Voltage	V	18	18	18
Watt hours	Wh	45	45	45
Weight	Kg	3.85	3.85	3.85

Australia & New Zealand

Stanley Black & Decker

www.blackanddecker.com.au

www.blackanddecker.co.nz

Tel.1800 338 002 (Aust) or Tel. 0800 339 258 (NZ)