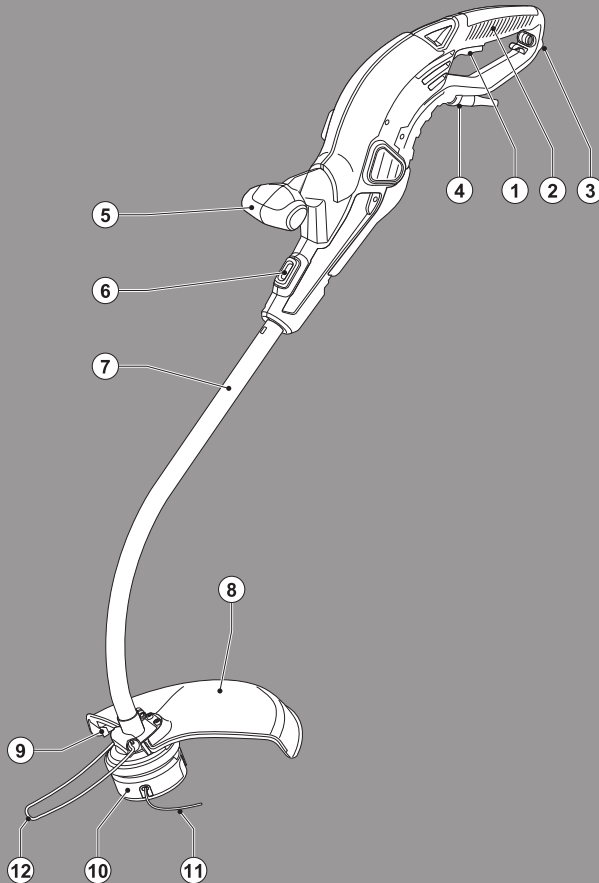


## Powerful Solutions™



**GL701**

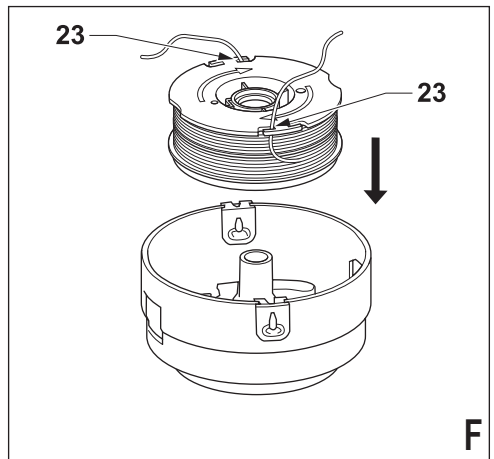
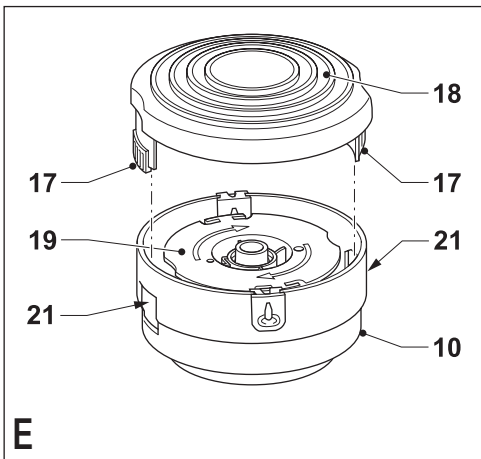
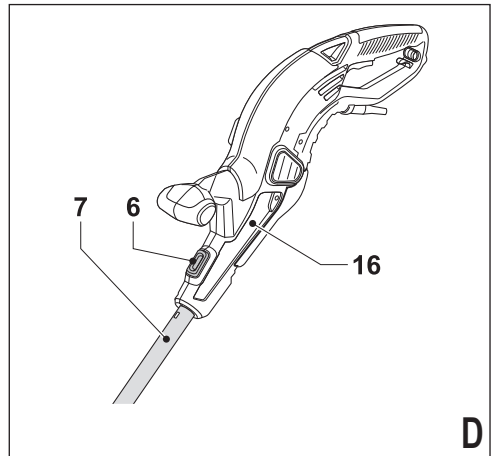
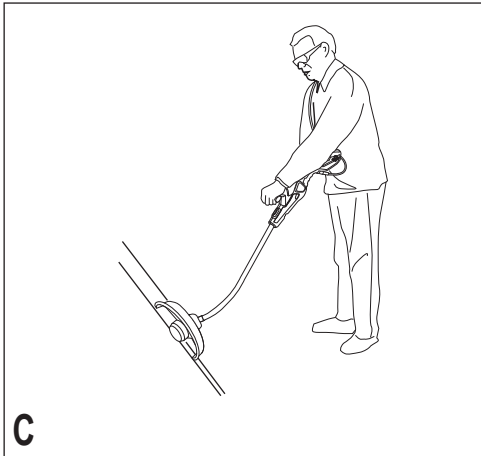
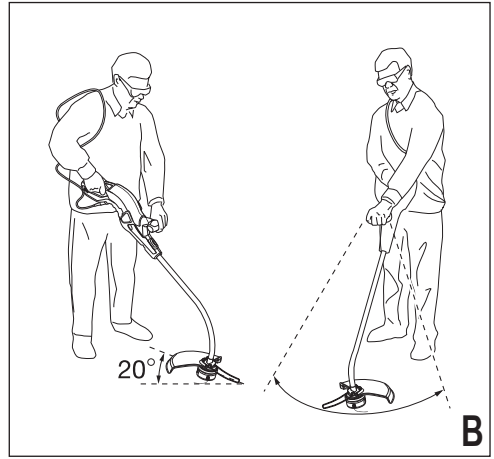
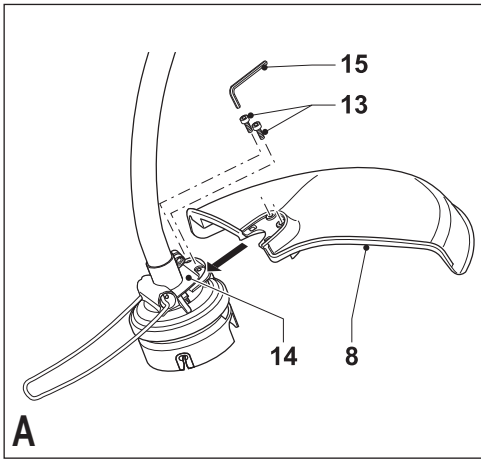
**GL710**

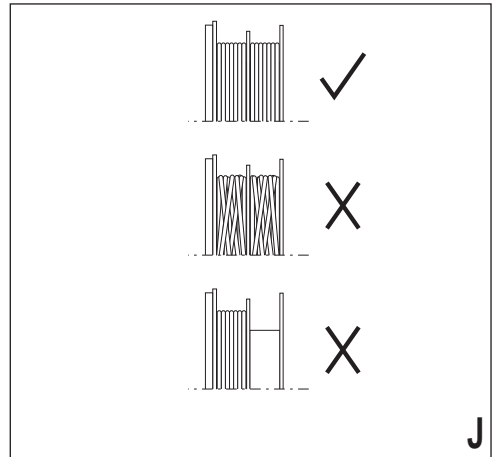
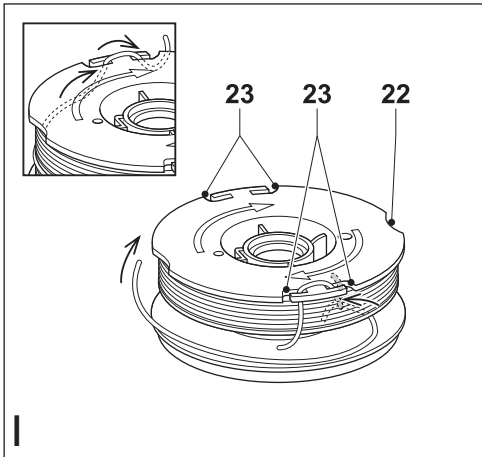
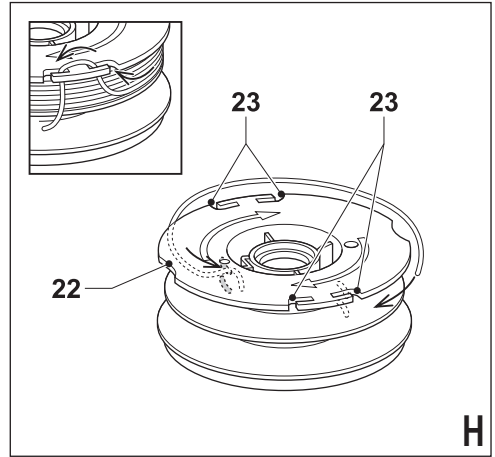
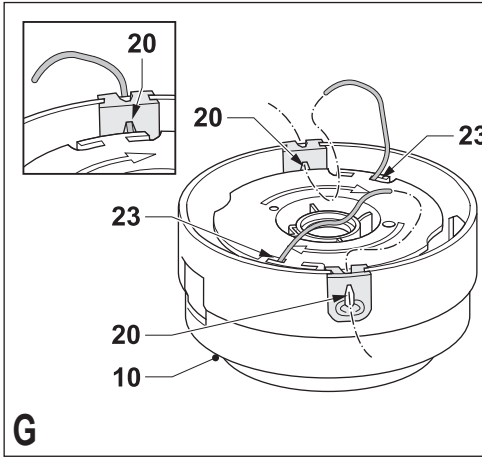
**GL716**

**GL720**

**GL741**

|                   |   |           |
|-------------------|---|-----------|
| <b>English</b>    | <b>(Original instructions)</b>                          | <b>5</b>  |
| <b>Deutsch</b>    | <b>(Übersetzung der Originalanleitung)</b>              | <b>11</b> |
| <b>Français</b>   | <b>(Traduction des instructions d'origine)</b>          | <b>17</b> |
| <b>Italiano</b>   | <b>(Traduzione delle istruzioni originali)</b>          | <b>23</b> |
| <b>Nederlands</b> | <b>(Vertaling van de originele instructies)</b>         | <b>28</b> |
| <b>Español</b>    | <b>(Traducción de las instrucciones originales)</b>     | <b>35</b> |
| <b>Português</b>  | <b>(Tradução das instruções originais)</b>              | <b>41</b> |
| <b>Svenska</b>    | <b>(Översättning av de ursprungliga anvisningarna)</b>  | <b>47</b> |
| <b>Norsk</b>      | <b>(Oversettelse av de opprinnelige instruksjonene)</b> | <b>53</b> |
| <b>Dansk</b>      | <b>(Oversættelse af de originale instruktioner)</b>     | <b>58</b> |
| <b>Suomi</b>      | <b>(Alkuperäisten ohjeiden käännös)</b>                 | <b>64</b> |
| <b>Ελληνικά</b>   | <b>(Μετάφραση των αρχικών οδηγιών)</b>                  | <b>70</b> |





## Intended use

Your Black & Decker trimmer has been designed for trimming and finishing lawn edges and to cut grass in confined spaces. This appliance is intended for consumer use only.

## Safety instructions

**Warning!** When using mains-powered appliances, basic safety precautions, including the following, should always be followed to reduce the risk of fire, electric shock, personal injury and material damage.

- ◆ Read all of this manual carefully before operating the appliance.
- ◆ The intended use is described in this manual. The use of any accessory or attachment or the performance of any operation with this appliance other than those recommended in this instruction manual may present a risk of personal injury.
- ◆ Retain this manual for future reference.

## Using your appliance

Always take care when using the appliance.

- ◆ Always use safety glasses or goggles.
- ◆ Never allow children or people unfamiliar with the instructions to use the appliance.
- ◆ Do not allow children or animals to come near the work area or to touch the appliance or power supply cord.
- ◆ Close supervision is necessary when the appliance is used near children.
- ◆ This appliance is not intended for use by young or infirm persons without supervision.
- ◆ This appliance is not to be used as a toy.
- ◆ Only use the appliance in daylight or good artificial light.
- ◆ Use in a dry location only. Do not allow the appliance to become wet.
- ◆ Do not immerse the appliance in water.
- ◆ Do not open the body casing. There are not user-serviceable parts inside.
- ◆ Do not operate the appliance in explosive atmospheres, such as in the presence of flammable liquids, gases or dust.
- ◆ To reduce the risk of damage to plugs or cords, never pull the cable to remove the plug from a socket.

## Safety of others

- ◆ This appliance is not intended for use by persons (including children) with reduced physical, sensory or mental capabilities, or lack of experience and knowledge, unless they have been given supervision or instruction concerning use of the appliance by a person responsible for their safety.
- ◆ Children must be supervised to ensure that they do not play with the appliance.

## After use

- ◆ When not in use, the appliance should be stored in a dry, well ventilated place out of reach of children.
- ◆ Children should not have access to stored appliances.
- ◆ When the appliance is stored or transported in a vehicle it should be placed in the boot or restrained to prevent movement following sudden changes in speed or direction.

## Inspection and repairs

- ◆ Before use, check the appliance for damaged or defective parts. Check for breakage of parts and any other conditions that may affect its operation.
- ◆ Do not use the appliance if any part is damaged or defective.
- ◆ Have any damaged or defective parts repaired or replaced by an authorised repair agent.
- ◆ Never attempt to remove or replace any parts other than those specified in this manual.

## Using an extension cable

Always use an approved extension cable suitable for the power input of this appliance (see technical data). The extension cable must be suitable for outdoor use and marked accordingly. Up to 30 m of 1.5 mm<sup>2</sup> HO5VV-F extension cable can be used without loss of product performance. Before use, inspect the extension cable for signs of damage, wear and ageing. Replace the extension cable if damaged or defective. When using a cable reel, always unwind the cable completely.

## Additional safety instructions for grass trimmers

**Warning!** Cutting elements continue to rotate after the motor is switched off.

- ◆ Be familiar with the controls and the proper use of the appliance.
- ◆ Before use, check the power supply cord and extension cord for signs of damage, ageing and wear. If a cord becomes damaged during use, disconnect the cord from the mains supply immediately. **DO NOT TOUCH THE CORD BEFORE DISCONNECTING THE SUPPLY.**
- ◆ Do not use the appliance if the cords are damaged or worn.
- ◆ Wear stout shoes or boots to protect your feet.
- ◆ Wear long trousers to protect your legs.
- ◆ Before using the appliance, check that your cutting path is free from sticks, stones, wire and any other obstacles.
- ◆ Only use the appliance in the upright position, with the cutting line near the ground. Never switch the appliance on in any other position.
- ◆ Move slowly when using the appliance. Be aware that freshly cut grass is damp and slippery.
- ◆ Do not work on steep slopes. Work across the face of slopes, not up and down.
- ◆ Never cross gravel paths or roads while the appliance is running.

- ◆ Never touch the cutting line while the appliance is running.
- ◆ Do not put the appliance down until the cutting line has come to a complete standstill.
- ◆ Use only the appropriate type of cutting line.  
Never use metal cutting line or fishing line.
- ◆ Be careful not to touch the line trimming blade.
- ◆ Take care to keep the mains cable away from the cutting line. Always be aware of the position of the cable.
- ◆ Keep hands and feet away from the cutting line at all times, especially when switching on the motor.
- ◆ Before using the appliance and after any impact, check for signs of wear or damage and repair as necessary.
- ◆ Never operate the appliance with damaged guards or without guards in place.
- ◆ Take care against injury from any device fitted for trimming the filament line length. After extending new cutter line always return the machine to its normal operating position before switching on.
- ◆ Always ensure that the ventilation slots are kept clear of debris.
- ◆ Do not use the lawn trimmer (edge trimmer), if the cords are damaged or worn.
- ◆ Keep extension cords away from cutting elements.

3. Cable restraint
4. Power inlet
5. Secondary handle
6. Adjustment button
7. Tube
8. Guard
9. Line trimming blade
10. Spool housing
11. Cutting line
12. Edge guide

## Labels on appliance

The following warning symbols are found on the appliance:



Read the manual prior to operation.



Wear safety glasses or goggles when operating this appliance.



Keep people and animals at least 6 m away from the cutting area.



Do not expose the appliance to rain or high humidity.

## Electrical safety



This appliance is double insulated; therefore no earth wire is required. Always check that the power supply corresponds to the voltage on the rating plate.

- ◆ If the supply cord is damaged, it must be replaced by the manufacturer or an authorised Black & Decker Service Centre in order to avoid a hazard.

## Features

This appliance includes some or all of the following features.

1. On/off switch
2. Handle

## Assembly

**Warning!** Before assembly, make sure that the appliance is switched off and unplugged.

### Fitting the guard (fig. A)

- ◆ Remove the hexagonal screws (13) from the head (14).
- ◆ Place the guard (8) onto the appliance as shown.
- ◆ Firmly press the guard until it snaps into place.
- ◆ Secure the guard with the hexagonal screws.
- ◆ Tighten the hexagonal screws using the hexagonal key (15) provided.

**Warning!** Never use the appliance unless the guard is properly fitted.

### Releasing the cutting line

In transit, the cutting line is taped to the spool housing.

- ◆ Remove the tape holding the cutting line (11) to the spool housing (10).

### Connecting the appliance to the mains

- ◆ Connect the female plug of a suitable extension cable to the power inlet (4).
- ◆ Loop the cable through the cable restraint (3).
- ◆ Insert the mains plug into a mains outlet.

**Warning!** The extension cable must be suitable for outdoor use.

### Residual risks.

Additional residual risks may arise when using the tool which may not be included in the enclosed safety warnings. These risks can arise from misuse, prolonged use etc.

Even with the application of the relevant safety regulations and the implementation of safety devices, certain residual risks can not be avoided. These include:

- ◆ **Injuries caused by touching any rotating/moving parts.**
- ◆ **Injuries caused when changing any parts, blades or accessories.**
- ◆ **Injuries caused by prolonged use of a tool. When using any tool for prolonged periods ensure you take regular breaks.**
- ◆ **Impairment of hearing.**

- ◆ **Health hazards caused by breathing dust developed when using your tool (example:- working with wood, especially oak, beech and MDF.)**

## Use

**Warning!** Let the tool work at its own pace. Do not overload.

## Setting the appliance to trimming or edging mode (fig. B - D)

The appliance can be used in trimming mode as shown in fig. B or in edging mode to trim overhanging grass along lawn edges and flower beds as shown in fig. C.

### Trimming mode (fig. B & D)

For trimming, the trimmer head should be in the position shown in fig. B. If it is not:

- ◆ Depress the adjustment button (6).
- ◆ Rotate the tube (7), while releasing the button.
- ◆ When the head is in position, the button will lock into place.

Note: The tube will only rotate in one direction.

### Edging mode (fig. C & D)

For edging, the trimmer head should be in the position shown in fig. C. If it is not:

- ◆ Depress the adjustment button (6).
- ◆ Rotate the tube (7), while releasing the button.
- ◆ When the head is in position, the button will lock into place.

Note: The tube will only rotate in one direction.

## Adjusting the height of the appliance (fig. D)

This appliance has a telescopic mechanism, allowing you to set it to a comfortable height. There are three height settings.

To adjust the height setting, proceed as follows:

- ◆ Depress the adjustment button (6).
- ◆ Gently pull the tube (7) out of the motor housing (16) to the desired height, while releasing the button.
- ◆ When the tube is in position, the button will lock into place.

## Switching on and off

- ◆ To switch the appliance on, squeeze the trigger lever (1).
- ◆ To switch the appliance off, release the trigger lever.

**Warning!** Never attempt to lock the trigger lever in the on position.

## Hints for optimum use

### General

- ◆ In order to achieve optimum cutting results, only cut dry grass.

### Trimming

- ◆ Hold the appliance as shown in fig. B.

- ◆ Gently swing the trimmer from side to side.
- ◆ When cutting long grass, work in stages from the top. Take small cuts.
- ◆ Keep the appliance away from hard objects and delicate plants.
- ◆ If the appliance starts running slowly, reduce the load.

## Edging

Optimum cutting results are achieved on edges deeper than 50 mm.

- ◆ Do not use the appliance to create edges. To create edges, use an edging spade.
- ◆ Guide the appliance as shown in fig. C.
- ◆ To make a closer cut, slightly tilt the appliance.

## Fitting a new spool of cutting line (fig. E & G)

Replacement spools of cutting line are available from your Black & Decker dealer (cat. no. A6495).

- ◆ Keep the tabs (17) depressed and remove the spool cover (18) from the housing (10).
- ◆ Remove the empty spool (19) from the spool housing.
- ◆ Remove any dirt and grass from the spool cover and housing.
- ◆ Place the new spool onto the boss in the spool housing with the lines parked in the slots (23) (fig. F).
- ◆ Insert the line ends through the appropriate eyelets (20) in the housing (10). Pull the slack line until it pulls out of the parked slots (23) (fig. G).
- ◆ Align the tabs (17) on the spool cover with the cut outs (21) in the housing.
- ◆ Push the cover (18) onto the housing (10) until it snaps securely into place.

**Note:** Make sure that the cover is positioned, listen for two audible clicks to ensure both tabs (17) are correctly located.

**Warning!** If the cutting lines protrude beyond the trimming blade (9), cut them off so that they just reach the blade.

## Winding new line onto an empty spool (fig. H - J)

You may wind new cutting line onto an empty spool.

Replacement packs of cutting line are available from your Black & Decker dealer (cat. no. A6171).

- ◆ Remove the empty spool from the appliance as described above.
- ◆ Remove any remaining cutting line from the spool.
- ◆ First wind new line onto the uppermost part of the spool:
  - Feed 2 cm of cutting line into one of the slots in the upper section of the spool as shown.
  - Wind the cutting line onto the spool in the direction of the arrow. Make sure to wind the line on neatly and in layers. Do not criss-cross.
  - When the wound cutting line reaches the recesses (22), cut the line.

- Temporarily park the line in the slots (23) on one side of the spool as shown.
- ◆ Repeat the above procedure for the second cutting line on the lower section of the spool. Park the line in the unused slots (23).
- ◆ Proceed as described above to fit the spool on the appliance. Do not forget to release the cutting line from the parking slots (23).

**Warning!** Only use the appropriate type of Black & Decker cutting line. Ensure that cutting line is present in both sections of the spool.

## Mains plug replacement (U.K. & Ireland only)

If a new mains plug needs to be fitted:

- ◆ Safely dispose of the old plug.
- ◆ Connect the brown lead to the live terminal in the new plug.
- ◆ Connect the blue lead to the neutral terminal.

**Warning!** No connection is to be made to the earth terminal. Follow the fitting instructions supplied with good quality plugs. Recommended fuse: 5 A.

## Troubleshooting

If your tool seems not to operate properly, follow the instructions below. If this does not solve the problem, please contact your local Black & Decker repair agent.

**Warning!** Before proceeding, unplug the tool.

### Appliance runs slowly

- ◆ Check that the spool housing can rotate freely. Carefully clean it if necessary.
- ◆ Check that the cutting line does not protrude more than 11 cm from the spool housing. If it does, cut it off so that it just reaches the line trimming blade.

### Automatic line feed does not work

- ◆ Keep the tabs depressed and remove the spool cover from the housing.
- ◆ Pull the cutting line until it protrudes 11 cm from the housing. If insufficient cutting line is left on the spool, install a new spool of cutting line as instructed above.
- ◆ Align the tabs on the spool cover with the cut outs in the housing.
- ◆ Push the cover onto the housing until it snaps securely into place.
- ◆ If the cutting line protrudes beyond the trimming blade, cut it off so that it just reaches the blade.

If the automatic line feed still does not work or the spool is jammed, try the following suggestions:

- ◆ Carefully clean the spool cover and housing.
- ◆ Remove the spool and check if the lever can move freely.

- ◆ Remove the spool and unwind the cutting line, then wind it on neatly again as described above. Replace the spool as instructed.

## Maintenance

Your Black & Decker corded/cordless appliance/tool has been designed to operate over a long period of time with a minimum of maintenance. Continuous satisfactory operation depends upon proper tool care and regular cleaning.

**Warning!** Before performing any maintenance on corded/cordless power tools:

- ◆ Switch off and unplug the appliance/tool.
- ◆ Or switch off and remove the battery from the appliance/tool if the appliance/tool has a separate battery pack.
- ◆ Or run the battery down completely if it is integral and then switch off.
- ◆ Unplug the charger before cleaning it. Your charger does not require any maintenance apart from regular cleaning.
- ◆ Regularly clean the ventilation slots in your appliance/tool/charger using a soft brush or dry cloth.
- ◆ Regularly clean the motor housing using a damp cloth. Do not use any abrasive or solvent-based cleaner.
- ◆ Regularly open the chuck and tap it to remove any dust from the interior (when fitted).

## Protecting the environment



Separate collection. This product must not be disposed of with normal household waste.

Should you find one day that your Black & Decker product needs replacement, or if it is of no further use to you, do not dispose of it with household waste. Make this product available for separate collection.



Separate collection of used products and packaging allows materials to be recycled and used again. Re-use of recycled materials helps prevent environmental pollution and reduces the demand for raw materials.

Local regulations may provide for separate collection of electrical products from the household, at municipal waste sites or by the retailer when you purchase a new product.

Black & Decker provides a facility for the collection and recycling of Black & Decker products once they have reached the end of their working life. To take advantage of this service please return your product to any authorised repair agent who will collect them on our behalf.



You can check the location of your nearest authorised repair agent by contacting your local Black & Decker office at the address indicated in this manual. Alternatively, a list of authorised Black & Decker repair agents and full details of our after-sales service and contacts are available on the Internet at: **www.2helpU.com**

**Technical data**

|               |                   | GL701<br>TYPE 3-5 | GL710<br>TYPE 3-5 | GL716<br>TYPE 3-5 |
|---------------|-------------------|-------------------|-------------------|-------------------|
| Input voltage | V <sub>AC</sub>   | 230               | 230               | 230               |
| Power input   | W                 | 550               | 520               | 580               |
| No-load speed | min <sup>-1</sup> | 6,500             | 6,500             | 6,500             |
| Weight        | kg                | 3.2               | 3.2               | 3.2               |

|               |                   | GL720<br>TYPE 3-5 | GL741<br>TYPE 3-5 |
|---------------|-------------------|-------------------|-------------------|
| Input voltage | V <sub>AC</sub>   | 230               | 230               |
| Power input   | W                 | 600               | 700               |
| No-load speed | min <sup>-1</sup> | 6,500             | 6,500             |
| Weight        | kg                | 3.2               | 3.2               |

Hand/arm weighted vibration value according to EN 786:  
= 7.5 m/s<sup>2</sup>, Uncertainty (K) = 1.5 m/s<sup>2</sup>

**EC declaration of conformity**

MACHINERY DIRECTIVE  
OUTDOOR NOISE DIRECTIVE



GL701/GL710/GL716/GL720/GL741

Black & Decker declares that these products described under "technical data" are in compliance with:  
98/37/EC (until Dec. 28, 2009), 2006/42/EC  
(from Dec. 29, 2009), EN 60335-1, EN 60335-2-91

2000/14/EC, Lawn Trimmer L ≤ 50 cm, Annex VIII  
KEMA Quality B.V., Utrechtseweg 310, 6802 ED Arnhem,  
The Netherlands  
Notified Body ID No.: 0344

Level of accoustic power according to 2000/14/EC  
(Article 12, Annex III, L ≤ 50 cm):  
L<sub>WA</sub> (measure sound power) 95 dB(A)  
Uncertainty (K) = 3 dB(A)  
L<sub>WA</sub> (guaranteed sound power) 96 dB(A)  
Uncertainty (K) = 3 dB(A)

These products also comply with directive 2004/108/EC.  
For more information, please contact Black & Decker at the following address or refer to the back of the manual.

The undersigned is responsible for compilation of the technical file and makes this declaration on behalf of Black & Decker.

Kevin Hewitt  
Vice-President Global Engineering  
Black & Decker Europe, 210 Bath Road, Slough,  
Berkshire, SL1 3YD  
United Kingdom  
1-10-2009

UK patent application no.: 059745.6

European Community design application nos.: 340385-0001 &  
339544-0001

## Guarantee

Black & Decker is confident of the quality of its products and offers an outstanding guarantee. This guarantee statement is in addition to and in no way prejudices your statutory rights. The guarantee is valid within the territories of the Member States of the European Union and the European Free Trade Area.

If a Black & Decker product becomes defective due to faulty materials, workmanship or lack of conformity, within 24 months from the date of purchase, Black & Decker guarantees to replace defective parts, repair products subjected to fair wear and tear or replace such products to ensure minimum inconvenience to the customer unless:

- ◆ The product has been used for trade, professional or hire purposes;
- ◆ The product has been subjected to misuse or neglect;
- ◆ The product has sustained damage through foreign objects, substances or accidents;
- ◆ Repairs have been attempted by persons other than authorised repair agents or Black & Decker service staff.

To claim on the guarantee, you will need to submit proof of purchase to the seller or an authorised repair agent. You can check the location of your nearest authorised repair agent by contacting your local Black & Decker office at the address indicated in this manual. Alternatively, a list of authorised Black & Decker repair agents and full details of our after-sales service and contacts are available on the Internet at:

**[www.2helpU.com](http://www.2helpU.com)**

Please visit our website **[www.blackanddecker.co.uk](http://www.blackanddecker.co.uk)** to register your new Black & Decker product and to be kept up to date on new products and special offers. Further information on the Black & Decker brand and our range of products is available at **[www.blackanddecker.co.uk](http://www.blackanddecker.co.uk)**

## Bestimmungsgemäße Verwendung

Ihr Black & Decker Trimmer wurde zum Trimmen und Beschneiden von Rasenkanten sowie zum Schneiden von Gras an schwer zugänglichen Stellen entwickelt. Dieses Gerät ist nicht für den gewerblichen Einsatz vorgesehen.

## Sicherheitshinweise

**Achtung!** Bei der Verwendung netzbetriebener Geräte sind zum Schutz vor Feuergefahr, elektrischen Schlägen sowie Körperverletzungen und Sachschäden grundlegende Sicherheitsmaßnahmen einschließlich der folgenden Vorschriften zu beachten.

- ◆ Lesen Sie diese Anleitung gründlich durch, bevor Sie das Gerät verwenden.
- ◆ Die bestimmungsgemäße Verwendung ist in dieser Bedienungsanleitung beschrieben. Das Verwenden anderer als der in dieser Anleitung empfohlenen Vorsatzgeräte und Zubehörteile oder die Ausführung von Arbeiten mit diesem Gerät, die nicht der bestimmungsgemäßen Verwendung entsprechen, kann zu Unfallgefahren führen.
- ◆ Bewahren Sie diese Anleitung auf.

## Gebrauch des Gerätes

Gehen Sie beim Gebrauch des Geräts stets vorsichtig vor.

- ◆ Verwenden Sie immer eine Schutzbrille.
- ◆ Untersagen Sie Kindern sowie Personen, die sich mit dem Inhalt dieser Anleitung nicht auskennen, die Verwendung dieses Geräts.
- ◆ Halten Sie Kinder und Tiere vom Arbeitsbereich fern, und sorgen Sie dafür, daß Gerät und Netzkabel nicht berührt werden.
- ◆ Wird das Gerät in der Nähe von Kindern verwendet, so ist äußerste Achtsamkeit geboten.
- ◆ Dieses Gerät darf ohne Aufsicht nicht von jungen oder schwachen Personen verwendet werden.
- ◆ Dieses ist kein Spielzeug!
- ◆ Verwenden Sie das Gerät nur bei Tageslicht oder guter künstlicher Beleuchtung.
- ◆ Verwenden Sie es nur an trockenen Orten. Lassen Sie das Gerät nicht nass werden.
- ◆ Tauchen Sie das Gerät nicht in Wasser ein.
- ◆ Öffnen Sie nicht das Gehäuse. Das Gerät enthält keine vom Benutzer zu wartenden Teile.
- ◆ Betreiben Sie das Gerät nicht in explosionsgefährdeter Umgebung, in der sich brennbare Flüssigkeiten, Gase oder Stäube befinden.
- ◆ Um die Gefahr von Schäden an Steckern oder Leitungen zu verringern, ziehen Sie niemals am Kabel, um den Stecker aus einer Steckdose zu entfernen.

## Sicherheit anderer Personen

- ◆ Dieses Gerät darf nicht von Personen (einschließlich Kindern) mit eingeschränkten körperlichen, sensorischen oder geistigen Fähigkeiten verwendet werden. Auch darf es nicht von Personen verwendet werden, die keine Erfahrung mit dem Gerät oder Kenntnis darüber haben, es sei denn, sie stehen beim Gebrauch unter der Aufsicht und Anleitung einer für deren Sicherheit verantwortlichen Person.
- ◆ Kinder müssen beaufsichtigt werden, um sicherzustellen, daß sie nicht mit dem Gerät spielen.

## Nach der Verwendung

- ◆ Das unbenutzte Gerät ist an einem trockenen, gut belüfteten und für Kinder nicht erreichbaren Ort aufzubewahren.
- ◆ Kinder sollten keinen Zugang zu aufbewahrten Geräten haben.
- ◆ Wird das Gerät in einem Fahrzeug aufbewahrt oder transportiert, so sollte es in den Kofferraum gelegt oder gesichert werden, um eine Bewegung durch plötzliche Geschwindigkeit- oder Fahrtrichtungsänderungen zu vermeiden.

## Überprüfung und Reparaturen

- ◆ Überprüfen Sie das Gerät vor dem Gebrauch auf beschädigte oder defekte Teile. Prüfen Sie, ob Teile gebrochen oder andere Zustände eingetreten sind, die die Funktion des Gerätes beeinträchtigen.
- ◆ Benutzen Sie das Gerät nicht, wenn irgendein Teil defekt ist.
- ◆ Lassen Sie defekte Teile immer von einer unserer Kundendienstwerkstätten reparieren oder austauschen.
- ◆ Versuchen Sie nie, irgendwelche Teile zu entfernen oder auszutauschen, die nicht in dieser Anleitung beschrieben werden.

## Verwendung eines Verlängerungskabels

Verwenden Sie nur zugelassene Verlängerungskabel, die sich für die Leistungsaufnahme dieses Geräts eignen (siehe technische Daten). Das Verlängerungskabel muß für den Einsatz im Freien geeignet und entsprechend gekennzeichnet sein. Ein bis zu 30 m langes 1,5 mm<sup>2</sup> HO5VV-F-Verlängerungskabel kann verwendet werden, ohne daß Leistungsverluste entstehen. Überprüfen Sie das Verlängerungskabel vor dem Gebrauch auf Beschädigung, Verschleiß und Alterserscheinungen. Tauschen Sie ein beschädigtes oder defektes Verlängerungskabel aus. Rollen Sie das Kabel bei Verwendung einer Kabeltrommel immer völlig aus.

## Zusätzliche Sicherheitsanweisungen für Rasentrimmer

**Achtung!** Wird der Motor ausgeschaltet, so laufen die Schneidelemente nach.

- ◆ Machen Sie sich mit den Bedienungselementen und dem richtigen Gebrauch des Geräts vertraut.
- ◆ Überprüfen Sie vor dem Gebrauch das Netz- und Verlängerungskabel auf Beschädigung, Alterung und Verschleiß. Falls ein Kabel beim Gebrauch beschädigt wird, trennen Sie das Kabel sofort vom Netz. **BERÜHREN SIE DAS KABEL NICHT, SOLANGE ES NOCH NICHT VOM NETZ GETRENNT IST.**
- ◆ Verwenden Sie das Gerät nicht, wenn die Kabel beschädigt oder verschlissen sind.
- ◆ Tragen Sie zum Schutz Ihrer Füße feste Schuhe oder Stiefel.
- ◆ Tragen Sie zum Schutz Ihrer Beine eine lange Hose.
- ◆ Bevor Sie das Gerät verwenden, vergewissern Sie sich, daß der Schneidbereich frei von Stöcken, Steinen, Draht und anderen Fremdkörpern ist.
- ◆ Verwenden Sie das Gerät nur in aufrechter Position, mit dem Schneidfaden nahe am Boden. Schalten Sie das Gerät nie ein, wenn es sich in einer anderen Position befindet.
- ◆ Bewegen Sie sich während der Arbeit mit dem Gerät nur langsam. Beachten Sie, daß frisch geschnittener Rasen feucht und rutschig ist.
- ◆ Arbeiten Sie nicht auf steilen Hängen. Schneiden Sie entlang der Böschung, nie von oben nach unten.
- ◆ Überqueren Sie keine Kieselwege oder -wege, während das Gerät läuft.
- ◆ Berühren Sie nie den Schneidfaden, während das Gerät läuft.
- ◆ Legen Sie das Gerät erst ab, wenn der Schneidfaden zum Stillstand gekommen ist.
- ◆ Verwenden Sie ausschließlich Schneidfäden des richtigen Typs. Verwenden Sie nie Schneidfäden aus Metall oder Angelschnur.
- ◆ Achten Sie darauf, daß Sie das Faden-Kappmesser nicht berühren.
- ◆ Halten Sie das Netzkabel vom Schneidfaden fern. Achten Sie immer auf die Lage des Kabels.
- ◆ Halten Sie stets die Hände und Füße vom Schneidfaden fern, besonders beim Einschalten des Motors.
- ◆ Vor der Verwendung des Geräts und nach jeder Stoßeinwirkung prüfen Sie das Gerät auf Anzeichen von Verschleiß und Beschädigungen und führen Sie gegebenenfalls Reparaturen aus.
- ◆ Betreiben Sie das Gerät niemals mit beschädigten oder nicht angebrachten Schutzvorrichtungen.
- ◆ Schützen Sie sich vor Verletzungen durch Einrichtungen, die zum Kürzen des Fadens angebracht sind. Nach dem Verlängern des neuen Schneidfadens bringen Sie das Gerät wieder in seine normale Betriebsposition, bevor Sie es einschalten.
- ◆ Vergewissern Sie sich stets, daß die Ventilationsschlitze frei von Unrat sind.

- ◆ Verwenden Sie den Rasentrimmer (Kantentrimmer) nicht, wenn die Leitungen beschädigt oder verschlissen sind.
- ◆ Halten Sie Verlängerungsleitungen immer von den Schneidelementen fern.

## Schilder auf dem Gerät

Das Gerät ist mit folgenden Warnsymbolen versehen:



Lesen Sie vor der Inbetriebnahme die Anleitung.



Tragen Sie bei der Verwendung dieses Geräts eine Schutzbrille!



Halten Sie Umstehende und Tiere mindestens 6 m vom Arbeitsbereich fern.



Setzen Sie das Gerät keinem Regen oder hoher Feuchtigkeit aus.

## Elektrische Sicherheit



Dieses Gerät ist schutzisoliert, daher ist keine Erdleitung erforderlich. Überprüfen Sie immer, ob die Netzspannung der auf dem Typenschild des Elektrowerkzeuges angegebenen Spannung entspricht.

- ◆ Falls das Netzkabel beschädigt ist, so ist es vom Hersteller oder einem autorisierten Black & Decker Service Center auszutauschen, um Gefahren vorzubeugen.

## Merkmale

Dieses Gerät weist einige oder alle der folgenden Merkmale auf:

1. Ein-/Aus-Schalter
2. Handgriff
3. Kabelzugentlastung
4. Netzanschluß
5. Zweithandgriff
6. Einstellknopf
7. Rohr
8. Schutzvorrichtung
9. Faden-Kappmesser
10. Spulengehäuse
11. Schneidfaden
12. Kantenföhrung

## Montage

**Achtung!** Vergewissern Sie sich vor der Montage, daß das Gerät ausgeschaltet ist und daß der Netzstecker gezogen wurde.

## Anbringen der Schutzvorrichtung (Abb. A)

- ◆ Entfernen Sie die Sechskantschrauben (13) vom Kopf (14).
- ◆ Bringen Sie die Schutzvorrichtung (8) gemäß Abbildung am Gerät an.
- ◆ Drücken Sie die Schutzvorrichtung fest auf das Gerät, bis sie einrastet.
- ◆ Sichern Sie die Schutzvorrichtung mit den Sechskantschrauben.
- ◆ Ziehen Sie die Sechskantschrauben mit dem mitgelieferten Sechskantschlüssel (15) an.

**Achtung!** Verwenden Sie das Gerät nur, wenn die Schutzvorrichtung ordnungsgemäß montiert ist.

## Lösen des Schneidfadens

Ab Werk ist der Schneidfaden mit Klebeband am Spulengehäuse befestigt.

- ◆ Entfernen Sie das Klebeband, mit dem der Schneidfaden (11) am Spulengehäuse (10) befestigt ist.

## Anschließen des Gerätes an das Netz

- ◆ Schließen Sie die Steckdose eines geeigneten Verlängerungskabels an den Netzanschluß (4) an.
- ◆ Führen Sie das Kabel durch die Zugentlastung (3).
- ◆ Stecken Sie den Netzstecker in eine Steckdose.

**Achtung!** Das Verlängerungskabel muß für den Einsatz im Freien geeignet sein.

## Restrisiken.

Für den Gebrauch dieses Geräts verbleiben zusätzliche Restrisiken, die möglicherweise nicht in den Sicherheitswarnungen genannt werden. Diese Risiken bestehen beispielsweise bei Missbrauch oder längerem Gebrauch.

Auch bei der Einhaltung der entsprechenden Sicherheitsvorschriften und der Verwendung aller Sicherheitsgeräte bestehen weiterhin bestimmte Restrisiken. Diese werden im Folgenden aufgeführt:

- ◆ Verletzungen, die durch das Berühren von sich drehenden/bewegenden Teilen verursacht werden.
- ◆ Verletzungen, die durch das Austauschen von Teilen, Messern oder Zubehör verursacht werden.
- ◆ Verletzungen, die durch längeren Gebrauch eines Geräts verursacht werden. Legen Sie bei längerem Gebrauch regelmäßige Pausen ein.
- ◆ Beeinträchtigung des Gehörs.
- ◆ Gesundheitsrisiken durch das Einatmen von Staub beim Gebrauch des Geräts (Beispielsweise bei Holzarbeiten, insbesondere Eiche, Buche und Pressspan).

## Gebrauch

**Achtung!** Beschleunigen Sie den Arbeitsvorgang nicht mit Gewalt. Vermeiden Sie eine Überlastung des Gerätes.

## Einstellen des Geräts auf die Trimm- oder Kantenschnitt-Betriebsart (Abb. B - D)

Dieses Gerät kann sowohl zum Trimmen wie in Abb. B als auch zum Kantenschneiden (Beschneiden überhängenden Grases entlang Rasenkanten und Blumenbeeten) wie in Abb. C verwendet werden.

### Trim-Betriebsart (Abb. B & D)

Beim Trimmen muß sich der Trimmerkopf in der in Abb. B angegebenen Position befinden. Ist dies nicht der Fall:

- ◆ Drücken Sie auf den Einstellknopf (6).
- ◆ Drehen Sie das Rohr (7), während Sie den Knopf loslassen.
- ◆ Befindet sich der Kopf in seiner Position, so rastet der Knopf ein.

Hinweis: Das Rohr läßt sich nur in eine Richtung drehen.

### Kantenschnitt-Betriebsart (Abb. C & D)

Beim Kantenschneiden muß sich der Trimmerkopf in der in Abb. C angegebenen Position befinden. Ist dies nicht der Fall:

- ◆ Drücken Sie auf den Einstellknopf (6).
- ◆ Drehen Sie das Rohr (7), während Sie den Knopf loslassen.
- ◆ Befindet sich der Kopf in seiner Position, so rastet der Knopf ein.

Hinweis: Das Rohr läßt sich nur in eine Richtung drehen.

## Einstellen der Gerätehöhe (Abb. D)

Dieses Gerät hat einen Teleskopmechanismus, so daß Sie es auf eine komfortable Höhe einstellen können.

Drei Höheneinstellungen sind möglich. Um die Höhe einzustellen, gehen Sie folgendermaßen vor:

- ◆ Drücken Sie auf den Einstellknopf (6).
- ◆ Ziehen Sie das Rohr (7) ohne Gewalt aus dem Motorgehäuse (16) bis zur gewünschten Höhe heraus, während Sie den Knopf loslassen.
- ◆ Befindet sich das Rohr in seiner Lage, so rastet der Knopf ein.

## Ein- und Ausschalten

- ◆ Um das Gerät einzuschalten, drücken Sie auf den Einschalthebel (1).
- ◆ Um das Gerät auszuschalten, lassen Sie Einschalthebel los.

**Achtung!** Versuchen Sie niemals, den Einschalthebel im eingeschalteten Zustand zu verriegeln.

## Hinweise für optimale Arbeitsergebnisse

### Allgemeines

- ◆ Um optimale Schnittergebnisse zu erzielen, schneiden Sie nur trockenes Gras.

## Trimmen

- ◆ Halten Sie das Gerät wie in Abb. B dargestellt.

- ◆ Schwenken Sie den Trimmer gleichmäßig von einer Seite zur anderen.
- ◆ Bei langem Gras arbeiten Sie stufenweise in kleinen Schritten von oben nach unten. Führen Sie kleine Schnitte aus.
- ◆ Halten Sie das Gerät von harten Gegenständen und empfindlichen Pflanzen fern.
- ◆ Falls das Gerät beginnt, langsam zu laufen, verringern Sie die Belastung.

## Kantenschneiden

Optimale Schnittergebnisse erhalten Sie bei Kanten mit einer Tiefe von mindestens 50 mm.

- ◆ Verwenden Sie das Gerät nicht zum Bilden neuer Kanten. Verwenden Sie zum Bilden von Kanten einen Kantenspaten.
- ◆ Führen Sie das Gerät gemäß Abb. C.
- ◆ Um einen kürzeren Schnitt zu erzielen, neigen Sie das Gerät ein wenig.

## Anbringen einer neuen Fadenspule (Abb. E & G)

Neue Spulen mit Schneidfaden sind bei Ihrem Black & Decker Händler erhältlich (Bestellnummer A6495).

- ◆ Halten Sie die Zungen (17) gedrückt und entfernen Sie den Spulendeckel (18) vom Gehäuse (10).
- ◆ Entfernen Sie die leere Spule (19) aus dem Spulengehäuse.
- ◆ Entfernen Sie Schmutzreste und Gras vom Spulendeckel und aus dem Gehäuse.
- ◆ Setzen Sie die neue Spule auf die Nabe im Spulengehäuse, wobei die Fäden in die Schlitz (23) eingesetzt werden müssen (Abb. F).
- ◆ Führen Sie die Fädenenden durch die entsprechenden Ösen (20) im Gehäuse (10). Ziehen Sie am lockeren Faden, bis er aus den Schlitz (23) herausgezogen wird (Abb. G).
- ◆ Richten Sie die Zungen (17) am Spulendeckel mit den Aussparungen (21) im Gehäuse aus.
- ◆ Drücken Sie den Deckel (18) auf das Gehäuse (10), bis er sicher einrastet.

**Hinweis:** Vergewissern Sie sich, daß der Deckel richtig sitzt. Es müssen zwei Klicks hörbar sein, damit sichergestellt ist, daß beide Zungen (17) richtig sitzen.

**Achtung!** Falls die Schneidfäden aus dem Faden-Kappmesser (9) herausragen, schneiden Sie die Fäden ab, so daß sie gerade bis zum Faden-Kappmesser reichen.

## Aufwickeln neuen Fadens auf eine leere Spule (Abb. H - J)

Sie können einen neuen Schneidfaden auf eine leere Spule aufwickeln. Neuer, loser Schneidfaden ist bei Ihrem Black & Decker Händler erhältlich (Bestellnummer A6171).

- ◆ Entfernen Sie die leere Spule gemäß Beschreibung oben vom Gerät.
- ◆ Entfernen Sie etwaige Fadenreste von der Spule.
- ◆ Wickeln Sie zuerst neuen Faden auf den oberen Teil der Spule auf:
  - Führen Sie 2 cm Schneidfaden wie abgebildet in einen der Schlitz oben in der Spule.
  - Wickeln Sie den Schneidfaden in Richtung des Pfeils auf die Spule auf. Achten Sie darauf, daß Sie den Faden sauber und in Schichten aufwickeln. Vermeiden Sie ein kreuzweises Aufwickeln.
  - Wenn der aufgewickelte Faden die Aussparungen (22) erreicht, schneiden Sie ihn ab.
  - Klemmen Sie den Schneidfaden wie angegeben vorübergehend in die Schlitz (23) an einer Seite der Spule.
- ◆ Wiederholen Sie den oben beschriebenen Vorgang für den zweiten Schneidfaden auf dem unteren Teil der Spule. Klemmen Sie den Faden in die noch freien Schlitz (23).
- ◆ Um die Spule am Gerät anzubringen, gehen Sie wie oben beschrieben vor. Vergessen Sie nicht, den Faden aus den Schlitz (23) zu lösen.

**Achtung!** Verwenden Sie ausschließlich Black & Decker Schneidfaden des richtigen Typs. Achten sie darauf, daß auf beiden Teilen der Spule Schneidfaden vorhanden ist.

## Störungsbehebung

Falls Ihr Gerät nicht ordnungsgemäß funktioniert, befolgen Sie folgende Hinweise. Falls die Störung damit nicht behoben wird, wenden Sie sich bitte an den Black & Decker Kundendienst.

**Achtung!** Bevor Sie die folgenden Schritte vornehmen, ziehen Sie den Netzstecker.

### Das Gerät läuft langsam

- ◆ Überprüfen Sie, ob sich das Spulengehäuse frei drehen kann. Reinigen Sie es gegebenenfalls sorgfältig.
- ◆ Vergewissern Sie sich, daß die Länge des aus dem Spulengehäuse hervorstehenden Schneidfadens 11 cm nicht überschreitet. Falls doch, dann schneiden Sie den Faden ab, so daß er gerade das Faden-Kappmesser erreicht.

### Die automatische Fadenzufuhr funktioniert nicht.

- ◆ Halten Sie die Zungen gedrückt und nehmen Sie den Spulendeckel vom Gehäuse.
- ◆ Ziehen Sie am Schneidfaden, bis er 11 cm aus dem Spulengehäuse hervorsteht. Falls der Schneidfaden auf der Spule nicht mehr ausreicht, setzen Sie wie oben beschrieben eine neue Fadenspule ein.
- ◆ Richten Sie die Zungen am Spulendeckel mit den Aussparungen im Gehäuse aus.

- ◆ Drücken Sie den Deckel auf das Gehäuse, bis er sicher einrastet.
- ◆ Falls der Schneidfaden über das Faden-Kappmesser hinaus hervorsteht, schneiden Sie den Faden ab, so daß er gerade bis zum Faden-Kappmesser reicht.

Falls die automatische Fadenzufuhr immer noch nicht funktioniert oder die Spule klemmt, versuchen Sie folgendes:

- ◆ Reinigen Sie sorgfältig den Spulendeckel und das Spulengehäuse.
- ◆ Entfernen Sie die Spule und überprüfen Sie, ob sich der Hebel frei bewegen kann.
- ◆ Entfernen Sie die Spule, und wickeln Sie den Faden ab. Wickeln Sie den Faden dann wie oben beschrieben wieder sauber auf. Bringen Sie die Spule wieder wie beschrieben an.

### Wartung

Ihr netz- oder akkubetriebenes Black & Decker Gerät/ Werkzeug wurde im Hinblick auf eine lange Lebensdauer und einen möglichst geringen Wartungsaufwand entwickelt. Ein dauerhafter, einwandfreier Betrieb setzt eine regelmäßige Pflege und Reinigung voraus.

**Achtung!** Vor der Durchführung von Wartungsarbeiten an Elektrogeräten/-werkzeugen mit oder ohne Netzleitung:

- ◆ Schalten Sie das Gerät/Werkzeug aus und ziehen Sie den Netzstecker.
- ◆ Oder schalten Sie das Gerät aus und entfernen Sie den Akku aus dem Gerät/Werkzeug, falls das Gerät/Werkzeug einen eigenen Akku hat.
- ◆ Oder lassen Sie den Akku vollkommen leerlaufen, falls dieser im Gerät eingebaut ist. Schalten Sie das Gerät dann aus.
- ◆ Ziehen Sie den Netzstecker des Ladegeräts aus der Steckdose, bevor Sie es reinigen. Ihr Ladegerät bedarf keinerlei Wartung außer einer regelmäßigen Reinigung.
- ◆ Reinigen Sie regelmäßig die Lüftungsschlitze im Gerät/ Werkzeug/Ladegerät mit Hilfe einer weichen Bürste oder eines trockenen Lappens.
- ◆ Reinigen Sie regelmäßig das Motorgehäuse mit Hilfe eines feuchten Lappens. Verwenden Sie keine scheuernden Reinigungsmittel oder Reinigungsmittel auf Lösungsmittelbasis.
- ◆ Reinigen Sie regelmäßig das Spannfutter (falls angebracht), indem Sie es öffnen und durch leichtes Klopfen den Staub aus dem Inneren entfernen.

### Umweltschutz



Getrennte Entsorgung. Dieses Produkt darf nicht über den normalen Hausmüll entsorgt werden.

Sollte Ihr Black & Decker Produkt eines Tages erneuert werden müssen, oder falls Sie es nicht weiter verwenden wollen, so darf es nicht über den Hausmüll entsorgt werden. Stellen Sie dieses Produkt zur getrennten Entsorgung bereit.



Durch die getrennte Entsorgung gebrauchter Produkte und Verpackungen können die Materialien recycelt und wiederverwertet werden. Die Wiederverwertung recycelter Materialien schont die Umwelt und verringert die Nachfrage nach Rohstoffen.

Die regionalen Bestimmungen schreiben unter Umständen die getrennte Entsorgung elektrischer Produkte aus dem Haushalt an Sammelstellen oder seitens des Händlers vor, bei dem Sie das neue Produkt erworben haben.

Black & Decker nimmt Ihre ausgedienten Black & Decker Geräte gern zurück und sorgt für eine umweltfreundliche Entsorgung und Wiederverwertung. Um diesen Dienst zu nutzen, schicken Sie bitte Ihr Produkt zu einer Vertragswerkstatt. Hier wird es dann auf unsere Kosten gesammelt.

Die Adresse der zuständigen Black & Decker Vertretung steht in diesem Handbuch, darüber läßt sich die nächstgelegene Vertragswerkstatt ermitteln. Außerdem ist eine Liste der Vertragswerkstätten und aller Kundendienststellen von Black & Decker sowie der zuständigen Ansprechpartner im Internet zu finden unter: [www.2helpU.com](http://www.2helpU.com)

### Technische Daten

|                   |                   | GL701    | GL710    | GL716    |
|-------------------|-------------------|----------|----------|----------|
|                   |                   | TYPE 3-5 | TYPE 3-5 | TYPE 3-5 |
| Spannung          | V <sub>AC</sub>   | 230      | 230      | 230      |
| Leistungsaufnahme | W                 | 550      | 520      | 580      |
| Leerlaufdrehzahl  | min <sup>-1</sup> | 6.500    | 6.500    | 6.500    |
| Gewicht           | kg                | 3,2      | 3,2      | 3,2      |

|                   |                   | GL720    | GL741    |
|-------------------|-------------------|----------|----------|
|                   |                   | TYPE 3-5 | TYPE 3-5 |
| Spannung          | V <sub>AC</sub>   | 230      | 230      |
| Leistungsaufnahme | W                 | 600      | 700      |
| Leerlaufdrehzahl  | min <sup>-1</sup> | 6.500    | 6.500    |
| Gewicht           | kg                | 3,2      | 3,2      |

Gewichteter Hand-/Arm-Vibrationswert nach EN 786:  
= 7,5 m/s<sup>2</sup> , Unsicherheitsfaktor (K) = 1.5 m/s<sup>2</sup>

## EG-Konformitätserklärung

MASCHINENRICHTLINIE  
 AUSSENLÄRM-RICHTLINIE



GL701/GL710/GL716/GL720/GL741

Black & Decker erklärt, daß diese unter „Technische Daten“  
 beschriebenen Produkte folgende Richtlinien erfüllen:  
 98/37/EC (bis 28. Dez. 2009), 2006/42/EC (ab 29. Dez. 2009),  
 EN 60335-1, EN 60335-2-91

2000/14/EG, Rasenmäher, L ≤ 50 cm, Anhang VIII  
 KEMA Quality B.V., Utrechtseweg 310, 6802 ED Arnhem,  
 Niederlande  
 Notified Body ID No.: 0344

Rasentrimmer 2000/14/EG (Artikel 12,  
 Anhang III, L ≤ 50 cm):  
 $L_{WA}$  (gemessene Schalleistung) 95 dB(A)  
 Unsicherheitsfaktor (K) = 3 dB(A)  
 $L_{WA}$  (garantierte Schalleistung) 96 dB(A)  
 Unsicherheitsfaktor (K) = 3 dB(A)

Diese Produkte entsprechen auch Richtlinie 2004/108/EG.  
 Wenden Sie sich für weitere Informationen bitte an folgende  
 Black & Decker Anschrift bzw. an die hinten im Handbuch  
 angegebene Anschrift.

Der Unterzeichnete ist für die Zusammenstellung der  
 technischen Datei verantwortlich und gibt diese Erklärung im  
 Namen von Black & Decker ab.

Kevin Hewitt  
 Vizepräsident Global Engineering  
 Black & Decker Europe, 210 Bath Road, Slough,  
 Berkshire, SL1 3YD  
 United Kingdom  
 1-10-2009  
 UK-Patentanmeldungen Nr.: 059745.6

EG-Designanmeldungsnummern: 340385-0001 & 339544-0001

## Garantie

Black & Decker vertraut auf die Qualität der eigenen Geräte  
 und bietet dem Käufer eine außergewöhnliche Garantie.  
 Diese Garantiezusage versteht sich unbeschadet der  
 gesetzlichen Gewährleistungsansprüche und schränkt diese  
 keinesfalls ein. Sie gilt in sämtlichen Mitgliedsstaaten der  
 Europäischen Union und der Europäischen Freihandelszone  
 EFTA.

Tritt innerhalb von 24 Monaten ab Kaufdatum an einem Gerät  
 von Black & Decker ein auf Material- oder Verarbeitungsfehler  
 zurückzuführender Mangel auf, garantiert Black & Decker den  
 Austausch defekter Teile, die Reparatur von Geräten mit  
 üblichem Verschleiß bzw. den Austausch eines mangelhaften  
 Geräts, ohne den Kunden dabei mehr als unbedingt nötig in  
 Anspruch zu nehmen, allerdings vorbehaltlich folgender  
 Ausnahmen:

- ◆ wenn das Gerät gewerblich, beruflich oder im  
 Verleihgeschäft benutzt wurde;
- ◆ wenn das Gerät mißbräuchlich verwendet oder mit  
 mangelnder Sorgfalt behandelt wurde;
- ◆ wenn das Gerät durch irgendwelche Fremdeinwirkung  
 beschädigt wurde;
- ◆ wenn ein unbefugter Reparaturversuch durch anderes  
 Personal als das einer Vertragswerkstatt oder des  
 Black & Decker-Kundendienstes unternommen wurde.

Zur Inanspruchnahme dieser Garantie ist dem Verkäufer bzw.  
 der Vertragswerkstatt ein Kaufnachweis vorzulegen.  
 Der Kaufnachweis muß Kaufdatum und Gerätetyp  
 bescheinigen. Die Adresse des zuständigen Büros von  
 Black & Decker steht in dieser Anleitung, darüber läßt sich die  
 nächstgelegene Vertragswerkstatt ermitteln. Außerdem ist  
 eine Liste der Vertragswerkstätten und aller  
 Kundendienststellen von Black & Decker sowie der  
 zuständigen Ansprechpartner im Internet zu finden unter:  
**www.2helpU.com**

Bitte besuchen Sie unsere Webseite **www.blackanddecker.de**,  
 um Ihr neues Black & Decker Produkt zu registrieren und über  
 neue Produkte und Sonderangebote aktuell informiert zu  
 werden. Weitere Informationen über die Marke Black & Decker  
 und unsere Produkte finden Sie unter **www.blackanddecker.de**



## Utilisation prévue

Votre débroussaileuse Black & Decker a été conçue pour tailler et arranger les bordures de pelouse et pour couper l'herbe dans des espaces réduits. Cet appareil est réservé à un usage domestique.

## Instructions de sécurité

**Attention !** Lors de l'utilisation d'appareils électriques, observez les consignes de sécurité fondamentales, y compris celles qui suivent, afin de réduire les risques d'incendie, de décharges électriques, de blessures et de dommages matériels.

- ◆ Lisez avec soin l'ensemble de ce manuel avant d'utiliser l'appareil.
- ◆ Le présent manuel décrit l'utilisation prévue. Une utilisation de l'appareil autre que celles prévues dans le présent manuel ou l'utilisation d'accessoires autres que ceux recommandés dans le présent manuel peut présenter un risque de blessure.
- ◆ Conservez ce manuel à titre de référence.

## Utilisation de votre appareil

Utilisez toujours cet appareil avec précaution.

- ◆ Portez toujours des lunettes ou un masque de protection.
- ◆ Ne laissez jamais aucun enfant ou aucune personne non familiarisée avec les instructions utiliser cet appareil.
- ◆ Ne laissez pas les enfants ou les animaux s'approcher de l'aire de travail voire toucher l'appareil ou le cordon d'alimentation.
- ◆ Redoublez de vigilance lorsque l'appareil est utilisé à proximité d'enfants.
- ◆ Cet appareil n'est pas destiné à être utilisé par des jeunes ou des personnes infirmes sans supervision.
- ◆ Cet appareil ne saurait être utilisé comme un jouet.
- ◆ Utilisez l'appareil uniquement à la lumière du jour ou sous un éclairage artificiel efficace.
- ◆ Utilisez uniquement dans un endroit sec. Ne laissez pas l'appareil se mouiller.
- ◆ N'immergez pas l'appareil dans l'eau.
- ◆ N'ouvrez pas le boîtier principal. Il ne contient aucune pièce susceptible d'être réparée.
- ◆ N'utilisez pas l'appareil dans un environnement explosible, ainsi en présence de gaz, poussières ou liquides inflammables.
- ◆ Afin de réduire les risques d'endommager les fiches et cordons, ne tirez jamais sur le câble pour débrancher la fiche de la prise.

## Sécurité des tiers

- ◆ Cet appareil n'est pas destiné à être utilisé par des personnes (notamment des enfants) présentant des capacités physiques, sensorielles ou mentales limitées voire dépourvues de connaissance et d'expérience, sauf si elles sont supervisées ou ont reçu des instructions pour l'usage de l'appareil par une personne responsable de leur sécurité.
- ◆ Les enfants doivent être surveillés pour s'assurer qu'ils ne jouent pas avec l'appareil.

## Après utilisation

- ◆ S'il n'est pas utilisé, rangez l'appareil dans un endroit sec, bien ventilé et hors de la portée des enfants.
- ◆ Les enfants ne doivent pas pouvoir accéder aux appareils, même rangés.
- ◆ Si l'appareil est rangé ou transporté dans un véhicule, il doit être placé dans le coffre ou fixé afin d'éviter tout mouvement inopiné en cas de changement brusque de direction ou de vitesse.

## Inspection et réparations

- ◆ Avant d'utiliser l'appareil, vérifiez qu'il n'est pas endommagé et qu'aucune pièce n'est défectueuse. Assurez-vous que les pièces ne sont pas endommagées et recherchez tout autre facteur qui pourrait nuire à son fonctionnement.
- ◆ N'utilisez pas l'appareil si une pièce est endommagée ou défectueuse.
- ◆ Faites réparer ou remplacer toute pièce endommagée par un réparateur agréé.
- ◆ N'essayez jamais d'enlever ou de changer des pièces autres que celles spécifiées dans ce manuel.

## Utilisation d'une rallonge

Utilisez toujours une rallonge agréée, adaptée à la puissance d'alimentation de cet appareil (voir caractéristiques techniques). Le câble de rallonge doit être adapté pour le travail en extérieur et marqué en conséquence. Des rallonges HO5VV-F de 1,5 mm<sup>2</sup> pour 30 m de long peuvent être utilisées sans perte de puissance. Avant utilisation, assurez-vous que la rallonge n'est ni endommagée ni usée. Changez le câble de rallonge s'il est endommagé ou défectueux. En cas d'utilisation d'un dévidoir, déroulez toujours le câble complètement.

## Instructions de sécurité supplémentaires pour les débroussaileuses

**Attention !** Les éléments de coupe continuent de tourner une fois le moteur arrêté.

- ◆ Familiarisez-vous avec les commandes et l'utilisation correcte de cet appareil.

- ◆ Avant toute utilisation, vérifiez que le câble électrique et sa rallonge ne sont ni endommagés, ni usés. Si un câble est endommagé pendant le travail, débranchez-le immédiatement du secteur. **NE TOUCHEZ PAS LE CÂBLE AVANT D'AVOIR COUPÉ L'ALIMENTATION.**
- ◆ N'utilisez pas l'appareil lorsque les câbles sont usés ou endommagés.
- ◆ Portez des chaussures ou des bottes renforcées pour protéger vos pieds.
- ◆ Portez un pantalon long pour protéger vos jambes.
- ◆ Avant d'utiliser l'appareil, vérifiez qu'aucun bâton, fil de fer, pierre ou aucun autre obstacle n'obstrue la zone de coupe.
- ◆ Utilisez seulement l'appareil en position verticale, en maintenant le fil de coupe près du sol. N'allumez jamais l'appareil dans une autre position.
- ◆ Déplacez-vous lentement lorsque vous utilisez l'appareil. Faites attention car l'herbe fraîchement coupée est humide et glissante.
- ◆ Ne travaillez pas sur un sol très pentu. Travaillez perpendiculairement à la pente et non en montant ou en descendant.
- ◆ Ne traversez jamais de chemins ou de routes en gravier lorsque l'appareil fonctionne.
- ◆ Ne touchez jamais le fil de coupe lorsque l'appareil fonctionne.
- ◆ Ne posez pas l'appareil avant que le fil de coupe ne se soit complètement arrêté.
- ◆ Utilisez uniquement le type correct de fil de coupe. N'utilisez jamais de fil de coupe métallique ni de fil de pêche.
- ◆ Veillez à ne pas toucher la lame coupe-fil.
- ◆ Maintenez le câble secteur écarté du fil de coupe. Surveillez toujours la position du câble.
- ◆ Tenez vos mains et vos pieds à distance du fil de coupe à tout moment, plus particulièrement au démarrage du moteur.
- ◆ Avant d'utiliser l'appareil et après tout impact, vérifiez qu'il n'est pas endommagé ou usé. Réparez-le au besoin.
- ◆ N'utilisez jamais l'appareil si les protections sont endommagées ou manquantes.
- ◆ Attention aux blessures occasionnées par tout dispositif installé pour couper la longueur du fil de coupe. Après avoir tiré sur le fil de coupe, remplacez toujours la machine sur sa position de fonctionnement normale avant de l'allumer.
- ◆ Vérifiez toujours que les orifices de ventilation sont bien débarrassés de tous débris.
- ◆ N'utilisez pas le coupe-bordures (débroussailluse) si les câbles sont usés ou endommagés.
- ◆ Maintenez les rallonges à l'écart des éléments de coupe.

## Étiquettes sur l'appareil

Les symboles de prévention suivants sont indiqués sur l'appareil :



Lisez le manuel avant l'emploi.



Portez des lunettes de sécurité lorsque vous utilisez cet appareil.



Personnes et animaux doivent se trouver à plus de 6 m de la zone de coupe.



N'exposez pas l'appareil à la pluie ou une humidité élevée.

## Sécurité électrique



Cet appareil est doublement isolé ; par conséquent, aucun câble de masse n'est nécessaire. Vérifiez si la tension d'alimentation correspond à celle mentionnée sur la plaque signalétique.

- ◆ Si le câble d'alimentation est endommagé, il doit être remplacé par le fabricant ou par un centre de réparation agréé Black & Decker afin d'éviter tout accident.

## Caractéristiques

Cet appareil comprend toutes ou certaines des caractéristiques suivantes :

1. Interrupteur marche/arrêt
2. Poignée
3. Serre-câbles
4. Entrée d'alimentation
5. Poignée secondaire
6. Bouton de réglage
7. Tube
8. Carter de protection
9. Lame coupe-fil
10. Logement de bobine
11. Fil de coupe
12. Guide-bordures

## Montage

**Attention !** Avant l'assemblage, assurez-vous que l'appareil est éteint et débranché.

### Mise en place du carter de protection (fig. A)

- ◆ Retirez les vis hexagonales (13) de la tête (14).
- ◆ Placez le carter de protection (8) sur l'appareil comme illustré.
- ◆ Appuyez fermement sur le carter pour l'enclencher.

- ◆ Fixez le carter de protection avec les vis hexagonales.
- ◆ Serrez les vis hexagonales avec la clé hexagonale (15) fournie.

**Attention !** N'utilisez jamais l'appareil si le carter de protection est mal installé.

### Déroulement du fil de coupe.

Durant le travail, le fil de coupe est caché par le logement de bobine.

- ◆ Enlevez le ruban qui retient le fil de coupe (11) à la protection de la bobine (10).

### Branchement de l'appareil au secteur

- ◆ Branchez la prise femelle d'un fil de rallonge adapté à l'entrée d'alimentation électrique (4).
- ◆ Enroulez le câble autour du serre-câbles (3).
- ◆ Branchez la fiche secteur dans la prise secteur.

**Attention !** Le câble de rallonge doit être adapté pour le travail en extérieur.

### Risques résiduels.

L'utilisation d'un outil non mentionné dans les consignes de sécurité données peut entraîner des risques résiduels supplémentaires. Ces risques peuvent survenir si l'outil est mal utilisé, si l'utilisation est prolongée, etc.

Malgré l'application des normes de sécurité correspondantes et la présence de dispositifs de sécurité, les risques résiduels suivants ne peuvent être évités. Ceci comprend :

- ◆ **Les blessures dues au contact avec une pièce mobile/ en rotation.**
- ◆ **Les blessures causées en changeant des pièces, lames ou accessoires.**
- ◆ **Les blessures dues à l'utilisation prolongée d'un outil. Une utilisation prolongée de l'outil nécessite des pauses régulières.**
- ◆ **Déficiences auditives.**
- ◆ **Risques pour la santé causés par l'inhalation de poussières produites pendant l'utilisation de l'outil (exemple : travail avec du bois, surtout le chêne, le hêtre et les panneaux en MDF).**

### Utilisation

**Attention !** Laissez l'outil fonctionner à sa propre vitesse.

Ne le surchargez pas.

### Réglage de l'appareil en mode taille ou coupe (fig. B - D)

L'outil peut être utilisé en mode de taille comme indiqué en fig. B ou en en mode coupe pour tailler de l'herbe en surplomb des bordures de pelouse et parterres de fleurs comme indiqué en fig. C.

### Mode de taille (fig. B & D)

Pour la taille, la tête de la débroussailleuse doit être dans la position illustrée en fig. B. Si ce n'est pas le cas :

- ◆ Appuyez sur le bouton de réglage (6).
- ◆ Faites pivoter le tube (7) tout en relâchant le bouton.
- ◆ Lorsque la tête est correctement placée, le bouton se bloque.

Remarque : le tube ne tourne que dans un sens.

### Mode de coupe (fig. C & D)

Pour couper, la tête de la débroussailleuse doit adopter la position indiquée en fig. C. Si ce n'est pas le cas :

- ◆ Appuyez sur le bouton de réglage (6).
- ◆ Faites pivoter le tube (7) tout en relâchant le bouton.
- ◆ Lorsque la tête est correctement placée, le bouton se bloque.

Remarque : le tube ne tourne que dans un sens.

### Réglage de la hauteur de l'appareil (fig. D).

L'appareil comporte un mécanisme télescopique, pour le régler à la hauteur la plus confortable. Trois réglages de hauteur sont possibles. Pour régler la hauteur, procédez comme suit :

- ◆ Appuyez sur le bouton de réglage (6).
- ◆ Tirez doucement le tube (7) hors du carter du moteur (16) à la hauteur voulue, tout en relâchant le bouton.
- ◆ Une fois le tube en place, le bouton se bloque.

### Démarrage et arrêt

- ◆ Pour allumer l'appareil, appuyez sur l'interrupteur (1)
- ◆ Relâchez l'interrupteur pour éteindre l'appareil.

**Attention !** N'essayez jamais de bloquer l'interrupteur en position de marche.

### Conseils pour une utilisation optimale

#### Généralités

- ◆ Pour des résultats de coupe optimaux, coupez uniquement de l'herbe sèche.

#### Taille

- ◆ Tenez l'appareil comme indiqué en fig. B.
- ◆ Basculer doucement l'interrupteur d'un côté à l'autre.
- ◆ Lorsque vous coupez des herbes hautes, travaillez par étapes en commençant par le haut. Procédez par petites coupes.
- ◆ N'approchez pas l'appareil d'objets durs ni de plantes délicates.
- ◆ Si l'appareil commence à fonctionner lentement, réduisez la charge.

#### Coupe

Pour des résultats de coupe optimaux, les bordures doivent être supérieures à 50 mm.

- ◆ N'utilisez pas l'appareil pour créer des bordures. Pour créer des bordures, utilisez une bêche.
- ◆ Guidez l'appareil comme indiqué en fig. C.
- ◆ Pour une coupe plus nette, inclinez légèrement l'appareil.

## Mise en place d'une nouvelle bobine de fil de coupe (fig. E & G)

Des bobines de fil de coupe de rechange sont disponibles chez votre revendeur Black & Decker (réf. A6495).

- ◆ Maintenez les languettes (17) enfoncées et retirez le couvercle de la bobine (18) du logement (10).
- ◆ Retirez la bobine vide (19) du logement de bobine.
- ◆ Enlevez toute trace de saleté ou d'herbe du couvercle de la bobine et du logement.
- ◆ Placez la nouvelle bobine sur le bossage de son logement avec les lignes dans les fentes (23) (fig. F).
- ◆ Insérez les extrémités de lignes dans les œillets appropriés (20) du logement (10). Tirez le mou de la ligne pour la faire sortir des fentes (23) (fig. G).
- ◆ Alignez les languettes (17) sur le couvercle de la bobine avec les échancrures (21) dans le logement.
- ◆ Poussez le couvercle (18) sur le logement (10) pour l'enclencher fermement.

**Remarque :** assurez-vous que le couvercle est en place. Écoutez deux clics audibles confirmant que les deux languettes (17) sont bien en place.

**Attention !** Si les fil de coupe dépassent de la lame de coupe (9), coupez-les afin qu'ils atteignent juste la lame.

## Enroulage d'un nouveau fil sur une bobine vide (fig. H - J)

Vous pouvez enrouler un nouveau fil de coupe sur une bobine vide. Des paquets de fil de coupe de rechange sont disponibles chez votre revendeur Black & Decker (réf. A6171).

- ◆ Retirez la bobine vide de l'appareil comme expliqué ci-dessus.
- ◆ Retirez tout fil de coupe restant de la bobine.
- ◆ Enroulez d'abord le nouveau fil sur la partie supérieure de la bobine :
  - insérez 2 cm de fil de coupe dans l'une des fentes de la section supérieure de la bobine, comme indiqué.
  - Enroulez le fil de coupe sur la bobine dans le sens de la flèche. Veillez à enrouler le fil proprement et en couches successives. Ne l'entrecroisez pas.
  - Lorsque le fil de coupe enroulé est encastré (22), coupez-le.
  - Laissez temporairement le fil dans les fentes (23) sur un côté de la bobine comme indiqué.
- ◆ Répétez l'opération précédente pour le second fil de coupe sur la partie inférieure de la bobine. Laissez le fil dans les fentes restées libres (23).

- ◆ Procédez comme expliqué ci-dessus pour installer la bobine dans l'appareil. N'oubliez pas de relâcher le fil de coupe des fentes où vous l'avez laissé (23).

**Attention !** Utilisez uniquement le type correct de fil de coupe de Black & Decker. Assurez-vous que le fil de coupe se trouve dans les deux sections de la bobine.

## Dépannage

Si votre outil ne semble pas fonctionner correctement, suivez les instructions ci-dessous. Si elles ne vous sont d'aucune aide pour résoudre le problème, contactez votre service de réparation local Black & Decker.

**Attention !** Avant de commencer, débranchez l'outil.

### Appareil fonctionnant lentement

- ◆ Assurez-vous que le logement de bobine tourne librement. Nettoyez soigneusement si cela est nécessaire.
- ◆ Vérifiez que le fil de coupe ne dépasse pas de plus de 11 cm du logement de bobine. Si c'est le cas, coupez-le pour qu'il atteigne juste la lame coupe-fil.

### L'alimentation automatique du fil ne fonctionne pas

- ◆ Maintenez les languettes enfoncées et retirez le couvercle de bobine hors du logement.
  - ◆ Tirez le fil de coupe pour qu'il dépasse de 11 cm du logement. S'il reste peu de fil de coupe sur la bobine, installez une nouvelle bobine de fil de coupe comme expliqué ci-dessus.
  - ◆ Alignez les languettes sur le couvercle de la bobine avec les échancrures dans le logement.
  - ◆ Enfoncez le couvercle sur le logement jusqu'à l'enclencher.
  - ◆ Si le fil de coupe dépasse la lame coupe fil, coupez-le afin qu'il atteigne juste la lame.
- Si l'alimentation automatique de fil ne fonctionne toujours pas ou si la bobine est bloquée, essayez les suggestions suivantes :
- ◆ Nettoyez soigneusement le couvercle de la bobine et le logement.
  - ◆ Retirez la bobine et vérifiez que la gâchette bouge librement.
  - ◆ Retirez la bobine et déroulez le fil de coupe, puis enroulez-le à nouveau proprement comme expliqué ci-dessus. Remplacez la bobine comme indiqué.

## Entretien

Votre appareil/outil Black & Decker avec/sans fil a été conçu pour fonctionner pendant longtemps avec un minimum d'entretien. Un fonctionnement continu satisfaisant dépend d'un nettoyage régulier et d'un entretien approprié de l'outil.

**Attention !** Avant toute activité d'entretien sur les outils électriques avec/sans fil :

- ◆ Eteignez et débranchez l'appareil/l'outil.

- ◆ Ou coupez et retirez la batterie de l'appareil/outil s'il comporte un pack-batterie séparé.
- ◆ Voire épuisez complètement la batterie si elle est intégrée puis mettez hors tension.
- ◆ Débranchez le chargeur avant de le nettoyer. Votre chargeur ne nécessite aucun autre entretien qu'un nettoyage régulier.
- ◆ Nettoyez régulièrement les fentes de ventilation de votre outil/appareil/chargeur à l'aide d'une brosse douce ou d'un chiffon sec.
- ◆ Nettoyez régulièrement le carter moteur à l'aide d'un chiffon humide. N'utilisez pas de produit abrasif ou à base de solvant.
- ◆ Ouvrez régulièrement le mandrin (le cas échéant) et tapotez dessus pour retirer toute poussière à l'intérieur.

**Caractéristiques techniques**

|                    |                   | GL701    | GL710    | GL741    |
|--------------------|-------------------|----------|----------|----------|
|                    |                   | TYPE 3-5 | TYPE 3-5 | TYPE 3-5 |
| Tension            | V <sub>AC</sub>   | 230      | 230      | 230      |
| Puissance absorbée | W                 | 550      | 520      | 580      |
| Vitesse à vide     | min <sup>-1</sup> | 6.500    | 6.500    | 6.500    |
| Poids              | kg                | 3,2      | 3,2      | 3,2      |

|                    |                   | GL716    | GL720    |
|--------------------|-------------------|----------|----------|
|                    |                   | TYPE 3-5 | TYPE 3-5 |
| Tension            | V <sub>AC</sub>   | 230      | 230      |
| Puissance absorbée | W                 | 600      | 700      |
| Vitesse à vide     | min <sup>-1</sup> | 6.500    | 6.500    |
| Poids              | kg                | 3,2      | 3,2      |

Niveau de vibration main/bras selon la norme EN 786 :  
= 7,5 m/s<sup>2</sup>, incertitude (K) = 1.5 m/s<sup>2</sup>

**Protection de l'environnement**



Collecte séparée. Ce produit ne doit pas être jeté avec les déchets domestiques normaux.

Si vous décidez de remplacer ce produit Black & Decker, ou si vous n'en avez plus l'utilité, ne le jetez pas avec vos déchets domestiques. Rendez-le disponible pour une collecte séparée.



La collecte séparée des produits et emballages usés permet le recyclage des articles afin de les utiliser à nouveau. Le fait d'utiliser à nouveau des produits recyclés permet d'éviter la pollution environnementale et de réduire la demande de matières premières.

Les réglementations locales peuvent permettre la collecte séparée des produits électriques du foyer, dans des déchetteries municipales ou auprès du revendeur vous ayant vendu votre nouveau produit.

Black & Decker fournit un dispositif permettant de collecter et de recycler les produits Black & Decker lorsqu'ils ont atteint la fin de leur cycle de vie. Pour pouvoir profiter de ce service, veuillez retourner votre produit à un réparateur agréé qui se chargera de le collecter pour nous.

Pour connaître l'adresse du réparateur agréé le plus proche de chez vous, contactez le bureau Black & Decker à l'adresse indiquée dans ce manuel. Vous pourrez aussi trouver une liste des réparateurs agréés de Black & Decker et de plus amples détails sur notre service après-vente sur le site Internet à l'adresse suivante : [www.2helpU.com](http://www.2helpU.com)

## Déclaration de conformité CE

DIRECTIVE MACHINES  
DIRECTIVE BRUIT DANS L'ENVIRONNEMENT



GL701/GL710/GL716/GL720/GL741

Black & Decker déclare que ces produits décrits sous les "caractéristiques techniques" sont conformes avec : 98/37/CE (jusqu'au 28 déc. 2009), 2006/42/CE (à compter du 29 déc. 2009), EN 60335-1, EN 60335-2-91

2000/14/CE, Coupe-bordures, L ≤ 50 cm, Annexe VIII  
KEMA Quality B.V., Utrechtseweg 310, 6802 ED Arnhem,  
Pays-Bas Notified Body ID No.: 0344

Niveau de pression acoustique conforme à la norme  
2000/14/CE (Article 12, Annexe III, L ≤ 50 cm) :

$L_{WA}$  (pression sonore mesurée) 95 dB(A)  
incertitude (K) = 3 dB(A)

$L_{WA}$  (pression sonore garantie) 96 dB(A)  
incertitude (K) = 3 dB(A)

Ces produits sont également conformes à la directive  
2004/108/CE. Pour en savoir plus, veuillez contacter  
Black & Decker à l'adresse suivante ou consultez le dos  
du manuel.

Le soussigné est responsable de la compilation du fichier  
technique et effectue cette déclaration au nom  
de Black & Decker.

Kevin Hewitt  
Vice-président Ingénierie globale  
Black & Decker Europe, 210 Bath Road, Slough,  
Berkshire, SL1 3YD  
Royaume Uni  
1-10-2009

N° de demande de brevet UK: 059745.6

Dessin pour demande de brevet UE n° : 340385-0001 &  
339544-0001

## Garantie

Black & Decker est confiant dans la qualité de ses produits et vous offre une garantie très étendue. Ce certificat de garantie est un document supplémentaire et ne peut en aucun cas se substituer à vos droits légaux. La garantie est valable sur tout le territoire des Etats Membres de l'Union Européenne et de la Zone de Libre Echange Européenne.

Si un produit Black & Decker s'avère défectueux en raison de matériaux en mauvaises conditions, d'une erreur humaine, ou d'un manquement de conformité dans les 24 mois suivant la date d'achat, Black & Decker garantit le remplacement des pièces défectueuses, la réparation des produits usés ou cassés ou remplace ces produits à la convenance du client, sauf dans les circonstances suivantes :

- ◆ Le produit a été utilisé dans un but commercial, professionnel, ou a été loué.
- ◆ Le produit a été mal utilisé ou avec négligence.
- ◆ Le produit a subi des dommages à cause d'objets étrangers, de substances ou à cause d'accidents.
- ◆ Des réparations ont été tentées par des techniciens ne faisant pas partie du service technique de Black & Decker.

Pour avoir recours à la garantie, il est nécessaire de fournir une preuve d'achat au vendeur ou à un réparateur agréé. Pour connaître l'adresse du réparateur agréé le plus proche de chez vous, contactez le bureau Black & Decker à l'adresse indiquée dans ce manuel. Vous pourrez aussi trouver une liste des réparateurs agréés de Black & Decker et de plus amples détails sur notre service après-vente sur le site Internet à l'adresse suivante : [www.2helpU.com](http://www.2helpU.com)

Visitez notre site Web [www.blackanddecker.fr](http://www.blackanddecker.fr) pour enregistrer votre nouveau produit Black & Decker et être informé des nouveaux produits et des offres spéciales. Pour plus d'informations concernant la marque Black & Decker et notre gamme de produits, consultez notre site [www.blackanddecker.fr](http://www.blackanddecker.fr)

## Uso previsto

Il tagliabordi Black & Decker è stato progettato per tosare e rifinire i bordi dei tappeti erbosi e per tagliare l'erba in spazi ristretti. Questo elettrotensile è destinato esclusivamente all'uso non professionale.

## Precauzioni di sicurezza

**Attenzione!** Quando si utilizzano elettrotensili, per ridurre il rischio di incendio, scosse elettriche, infortuni alle persone e danni materiali è necessario seguire sempre delle precauzioni di sicurezza basilari, incluso le seguenti.

- ◆ Prima di adoperare l'elettrotensile, leggere attentamente le istruzioni riportate nel presente manuale.
- ◆ L'utilizzo previsto è quello descritto in questo manuale. L'uso di accessori o attrezzature diversi o l'uso di questo elettrotensile per scopi diversi da quelli indicati nel presente manuale possono comportare il rischio di lesioni personali.
- ◆ Conservare questo manuale di istruzioni per successive consultazioni.

## Uso dell'elettrotensile

Fare sempre attenzione durante l'utilizzo dell'elettrotensile.

- ◆ Indossare sempre una visiera o occhiali di sicurezza.
- ◆ Vietare l'uso dell'elettrotensile ai bambini e agli adulti che non abbiano letto il presente manuale d'istruzioni.
- ◆ Vietare a bambini o animali di avvicinarsi all'area in cui si usa l'elettrotensile, di toccare l'elettrotensile o il cavo di alimentazione.
- ◆ È necessaria un'attenta supervisione quando l'elettrotensile viene utilizzato vicino a bambini.
- ◆ L'elettrotensile non deve essere utilizzato da ragazzi o persone inabili senza la supervisione di un adulto.
- ◆ Non utilizzare l'elettrotensile come un giocattolo.
- ◆ Usare l'elettrotensile solo alla luce naturale oppure con una buona illuminazione artificiale.
- ◆ Utilizzarlo esclusivamente in un luogo asciutto. Non bagnare l'elettrotensile.
- ◆ Non immergere l'elettrotensile in acqua.
- ◆ Non aprire l'involucro del corpo. All'interno non sono presenti componenti riparabili.
- ◆ Evitare di utilizzare gli elettrotensili in ambienti esposti al rischio di esplosione, ad esempio in presenza di liquidi, gas o polveri infiammabili.
- ◆ Per ridurre il rischio di danni alle spine o ai cavi, non tirare mai il cavo per rimuovere la spina dalla presa elettrica.

## Sicurezza altrui

- ◆ Questo elettrotensile non è destinato ad essere utilizzato da persone (bambini inclusi) con ridotte capacità fisiche, sensoriali o mentali, senza esperienza o non in possesso delle dovute conoscenze, senza la supervisione o l'addestramento da parte di una persona responsabile per la loro sicurezza.
- ◆ Controllare i bambini per evitare che giochino con l'elettrotensile.

## Dopo l'uso

- ◆ Quando non è in uso, l'elettrotensile deve essere riposto in un luogo asciutto e ben ventilato, fuori dalla portata dei bambini.
- ◆ Inaccessibile ai bambini.
- ◆ Quando l'elettrotensile è riposto o trasportato su un veicolo deve essere appoggiato sulla scarpa o fissato in modo da evitare spostamenti dovuti agli improvvisi cambi di velocità o direzione.

## Ispezione e riparazioni

- ◆ Prima dell'uso, verificare che non vi siano componenti danneggiati o difettosi. Verificare anche che non vi siano parti rotte e che nulla comprometta il funzionamento dell'elettrotensile.
- ◆ Non usare l'elettrotensile se sono presenti elementi danneggiati o difettosi.
- ◆ Eventuali elementi difettosi o danneggiati devono essere sostituiti o riparati da un tecnico autorizzato.
- ◆ Non tentare mai di smontare o sostituire componenti diversi da quelli indicati nel presente manuale.

## Impiego di una prolunga

Adoperare sempre una prolunga di tipo omologato, adeguata alla potenza assorbita dell'elettrotensile (v. scheda tecnica). La prolunga deve recare la targhetta che la identifica come adatta per uso esterno. È possibile adoperare un cavo di prolunga HO5VV-F da 1,5 mm<sup>2</sup> lungo fino a 30 m, senza perdita di potenza. Prima dell'uso, controllare che la prolunga non presenti segni di danni, usura e invecchiamento. Una prolunga danneggiata o difettosa deve sempre essere sostituita. Se si utilizza un avvolgitore, estrarre il cavo per l'intera lunghezza.

## Istruzioni supplementari di sicurezza per tosaerba

**Attenzione!** Gli elementi taglienti continuano a ruotare dopo lo spegnimento del motore.

- ◆ Acquisire familiarità con i comandi e l'uso corretto dell'elettrotensile.
- ◆ Prima dell'uso, controllare che il cavo di alimentazione e la prolunga non presentino segni di danni, invecchiamento e usura.

Se un cavo si danneggia durante l'uso, disinserire immediatamente la spina dell'elettrotensile dalla presa di corrente. **NON TOCCARE IL CAVO PRIMA DI SCOLLEGARE L'ALIMENTAZIONE.**

- ◆ Non usare l'elettrotensile se il cavo di alimentazione è usurato o danneggiato.
- ◆ Indossare scarpe robuste o scarponi per proteggere i piedi.
- ◆ Indossare pantaloni a gamba lunga per proteggere le gambe.
- ◆ Prima di usare l'elettrotensile, verificare che il percorso da falciare non sia ingombro di rametti, pietre, fili e qualsiasi altro ostacolo.
- ◆ Usare l'elettrotensile soltanto in posizione verticale, con il filo di taglio vicino al suolo. Non accendere mai l'elettrotensile in una diversa posizione.
- ◆ Procedere lentamente quando si adopera l'elettrotensile. Ricordare sempre che l'erba appena tagliata è umida e scivolosa.
- ◆ Non lavorare su pendenze ripide. Quando si lavora su pendenze, spostare l'elettrotensile da lato a lato, mai dall'alto in basso.
- ◆ Non attraversare mai percorsi su ghiaia o asfalto con l'elettrotensile in funzione.
- ◆ Non toccare mai il filo di taglio mentre l'elettrotensile è acceso.
- ◆ Non poggiare l'elettrotensile a terra finché il filo di taglio non si è arrestato del tutto.
- ◆ Impiegare unicamente filo di taglio di tipo adeguato. Non utilizzare fili di taglio metallici o fili da pesca.
- ◆ Fate attenzione a non toccare la lama del filo tosaerba.
- ◆ Attenzione a tenere il cavo dell'alimentazione lontano dal filo di taglio. Tenere sempre sotto controllo la posizione del cavo.
- ◆ Tenere sempre mani e piedi lontani dal filo di taglio, soprattutto quando si accende il motore.
- ◆ Prima di usare l'elettrotensile e/o se questo ha subito urti, controllare l'eventuale presenza di segni di usura o danni e riparare come necessario.
- ◆ Non utilizzare mai l'elettrotensile con le protezioni danneggiate o non inserite.
- ◆ Porre attenzione ad evitare lesioni causate da eventuali dispositivi utilizzati per tagliare la lunghezza del filo. Dopo avere esteso il nuovo filo di taglio, riportare sempre l'elettrotensile nella posizione operativa normale prima di accenderlo.
- ◆ Controllare sempre che le prese di ventilazione siano libere da detriti.
- ◆ Non usare il tosaerba (tagliabordi) se il cavo di alimentazione è usurato o danneggiato.
- ◆ Mantenere il cavo di prolunga distante dagli elementi da tagliare.

## Etichette sull'elettrotensile.

Sull'elettrotensile sono visibili i seguenti simboli di avvertenza:



Prima dell'uso leggere il presente manuale.



Indossare sempre occhiali di protezione quando si utilizza questo elettrotensile.



Non consentire a persone o animali di avvicinarsi a meno di 6 m dall'area di taglio.



Non esporre l'elettrotensile alla pioggia o a condizioni di elevata umidità.

## Sicurezza elettrica



Il doppio isolamento di cui è provvisto l'elettrotensile rende superfluo il conduttore di messa a terra. Controllare sempre che l'alimentazione corrisponda alla tensione indicata sulla targhetta delle caratteristiche.

- ◆ Se il cavo elettrico in dotazione risulta danneggiato, deve essere sostituito dal produttore o da un Centro di assistenza autorizzato Black & Decker, onde evitare rischi.

## Funzioni

Su questo elettrotensile sono disponibili tutte le seguenti caratteristiche o alcune di esse.

1. Interruttore acceso/spento
2. Maniglia
3. Fermacavo
4. Ingresso alimentazione
5. Impugnatura secondaria
6. Pulsante di regolazione
7. Tubo
8. Protezione
9. Lama del filo tosaerba
10. Alloggiamento bobina
11. Filo di taglio
12. Guida per bordo

## Montaggio

**Attenzione!** Prima del montaggio, verificare che l'elettrotensile sia spento e che la spina sia disinserita dalla presa.

### Installazione della protezione (fig. A)

- ◆ Estrarre le viti esagonali (13) dalla testa (14).
- ◆ Collocare la protezione (8) sull'elettrotensile, come illustrato.
- ◆ Premere con decisione la protezione fino a farla scattare in posizione.



- ◆ Bloccare la protezione con le viti esagonali.
- ◆ Stringere le viti esagonali con la chiave a brugola (15) fornita.

**Attenzione!** Non usare mai l'elettrotensile se la protezione non è installata correttamente.

### Sblocco del filo di taglio

Durante il trasporto, il filo di taglio è fissato all'alloggiamento della bobina.

- ◆ Rimuovere il nastro che ferma il filo di taglio (11) all'alloggiamento della bobina (10).

### Collegamento dell'elettrotensile alla rete di alimentazione elettrica

- ◆ Connettere la spina femmina di un cavo di lunghezza adatta all'ingresso di alimentazione (4).
- ◆ Passare il cavo attraverso l'occhiello fermacavo (3).
- ◆ Inserire la spina di alimentazione principale in una presa di alimentazione di rete.

**Attenzione!** Utilizzare una prolunga per uso esterno.

### Rischi residui.

Altri rischi residui che possono sorgere durante l'impiego dell'elettrotensile e che possono non essere stati contemplati dagli allegati avvisi di sicurezza. Tali rischi possono sorgere a seguito di un uso prolungato o improprio, ecc.

Perfino adottando gli appositi regolamenti di sicurezza e utilizzando i dispositivi di sicurezza, certi rischi residui non possono essere evitati. Essi comprendono:

- ◆ **Lesioni causate o subite a seguito del contatto con parti rotanti/in movimento.**
- ◆ **Lesioni causate o subite durante la sostituzione di parti, lame o accessori.**
- ◆ **Lesioni causate dall'impiego prolungato di un elettrotensile. Quando si usa qualsiasi elettrotensile per lunghi periodi, accertarsi di fare regolarmente delle pause.**
- ◆ **Problemi di udito.**
- ◆ **Rischi per la salute causati dall'aspirazione di polvere generata dall'utilizzo dell'elettrotensile (ad esempio quando si lavora con il legno, in modo particolare quello di quercia, faggio o l'MDF).**

### Uso

**Attenzione!** Lasciare che l'utensile lavori al suo ritmo, senza sovraccaricarlo.

### Impostazione dell'elettrotensile in modalità di taglio o di rifinitura di bordi (fig. B - D)

L'elettrotensile può essere impiegato per tosare l'erba, come mostra la fig. B, oppure per pareggiare l'erba che fuoriesce dai bordi di prati e fioriere, come mostra la fig. C.

### Modalità di rifinitura bordi (fig. B & D)

Per il taglio, la testa deve essere nella posizione illustrata in fig. B. Se non lo è:

- ◆ Premere il pulsante di regolazione (6).
- ◆ Far ruotare il tubo (7) mentre si rilascia il pulsante.
- ◆ Quando la testa è in posizione, il pulsante si blocca.

Nota: il tubo ruota in un'unica direzione.

### Modalità di rifinitura di bordi (fig. C & D)

Per la rifinitura dei bordi, la testa deve essere nella posizione illustrata in fig. C. Se non lo è:

- ◆ Premere il pulsante di regolazione (6).
- ◆ Far ruotare il tubo (7) mentre si rilascia il pulsante.
- ◆ Quando la testa è in posizione, il pulsante si blocca.

Nota: il tubo ruota in un'unica direzione.

### Regolazione dell'altezza dell'elettrotensile (fig. D)

Questo elettrotensile è munito di meccanismo telescopico che consente di regolarne l'altezza in tre posizioni diverse.

Per regolare l'altezza, procedere come segue:

- ◆ Premere il pulsante di regolazione (6).
- ◆ Con delicatezza, tirare il tubo (7) per estrarlo dall'alloggiamento del motore (16) fino a regolarlo sull'altezza desiderata e rilasciare il pulsante.
- ◆ Quando il tubo è in posizione, il pulsante si blocca.

### Avviamento e spegnimento

- ◆ Per accendere l'elettrotensile, premere l'interruttore a grilletto (1).
- ◆ Per spegnere l'elettrotensile, rilasciare l'interruttore a grilletto.

**Attenzione!** Non tentare mai di bloccare l'interruttore a grilletto in posizione di accensione.

### Consigli per un'ottima utilizzazione

#### Norme generali

- ◆ Per ottenere un taglio ottimale, tosare soltanto erba asciutta.

#### Tosatura

- ◆ Sostenere l'elettrotensile come mostrato nella fig. B.
- ◆ Fare oscillare con delicatezza il tagliabordi, da un lato all'altro.
- ◆ Quando si tosa erba alta, procedere per gradi, partendo dalla cima. Fare piccoli tagli.
- ◆ Tenere l'elettrotensile lontano da oggetti duri e piante delicate.
- ◆ Se la velocità dell'elettrotensile diminuisce, ridurre il carico.

#### Rifinitura dei bordi

Per ottenere risultati ottimali, intervenire su bordi con profondità superiore a 50 mm.

- ◆ Non adoperare l'elettrotensile per creare dei bordi; in questo caso è opportuno adoperare un'apposita vanga.
- ◆ Guidare l'elettrotensile come mostrato nella fig. C.
- ◆ Per eseguire un taglio più accurato, inclinare lievemente l'elettrotensile.

## Inserimento di una nuova bobina di filo di taglio (fig. E & G)

I ricambi delle bobine per il filo di taglio sono disponibili presso il concessionario Black & Decker (n. cat. A6495).

- ◆ Mantenere premute le linguette (17) premute e togliere il coperchio della bobina (18) dall'alloggiamento (10).
- ◆ Estrarre la bobina vuota (19) dall'alloggiamento.
- ◆ Rimuovere ogni traccia di sporcizia ed erba dal coperchio della bobina e dall'alloggiamento.
- ◆ Inserire una nuova bobina nella protuberanza dell'apposito alloggiamento, bloccando i fili nelle fessure (23) (fig. F).
- ◆ Inserire le estremità del filo negli appositi occhielli (20) dell'alloggiamento (10). Tirare il filo allentato finché non fuoriesca dalle aperture in cui è stato temporaneamente fermato (23) (fig. G).
- ◆ Allineare le linguette (17) del coperchio della bobina con le fessure (21) dell'alloggiamento.
- ◆ Spingere il coperchio (18) nell'alloggiamento (10) fino a bloccarlo in posizione.

**Nota:** Verificare che il coperchio sia correttamente posizionato, facendo attenzione a sentire due scatti per verificare che entrambe le linguette (17) siano bloccate nel modo giusto.

**Attenzione!** Se i fili di taglio sporgono oltre la lama di tosatura (9), tagliarli in modo che non superino il perimetro della lama.

## Avvolgere filo nuovo su una bobina vuota (fig. H - J)

È possibile avvolgere del filo di taglio nuovo su una bobina vuota. Le confezioni di ricambio del filo di taglio sono disponibili presso il concessionario Black & Decker (n. cat. A6171).

- ◆ Rimuovere la bobina vuota dall'elettrotensile, come descritto in precedenza.
- ◆ Rimuovere dalla bobina eventuali residui di filo di taglio.
- ◆ Prima avvolgere il nuovo filo nella parte più alta della bobina.
  - Passare 2 cm di filo di taglio in uno dei fori della sezione superiore della bobina, come mostrato.
  - Avvolgere il filo di taglio sulla bobina, nella direzione della freccia. Assicurarsi che il filo si avvolga ordinatamente e a strati successivi, senza seguire percorsi trasversali.
  - Recidere il filo di taglio che si sta avvolgendo quando raggiunge le tacche (22).
  - Bloccare temporaneamente il filo nelle fessure (23) su un lato della bobina, come mostrato.
- ◆ Ripetere la procedura precedente per il secondo filo di taglio sulla sezione inferiore della bobina. Bloccare il filo nelle fessure inutilizzate (23).

- ◆ Per inserire la bobina nell'attrezzo, procedere come descritto sopra. Non dimenticare di liberare il filo di taglio dalle aperture (23) in cui è stato temporaneamente fermato.

**Attenzione!** Usare esclusivamente il filo adeguato della Black & Decker. Verificare che il filo di taglio sia presente in entrambe le sezioni della bobina.

## Risoluzione dei problemi

Se l'utensile non sembra funzionare correttamente, procedere come segue. Se il problema persiste, contattare il servizio di assistenza tecnica della Black & Decker.

**Attenzione!** Prima di procedere, estrarre la spina dalla presa di alimentazione.

### L'elettrotensile funziona lentamente

- ◆ Controllare che l'alloggiamento della bobina ruoti liberamente. Se necessario pulirlo accuratamente.
- ◆ Controllare che il filo di taglio non fuoriesca per più di 11 cm dall'alloggiamento della bobina. In caso contrario, tagliare il filo in modo che raggiunga il perimetro della lama di tosatura.

### L'alimentazione automatica del filo non funziona

- ◆ Tenere premute le linguette e togliere il coperchio della bobina dall'alloggiamento.
- ◆ Tirare il filo di taglio sino a che fuoriesca dall'alloggiamento di 11 cm. Se non c'è sufficiente filo nella bobina, montare una nuova bobina di filo di taglio, come descritto in precedenza.
- ◆ Allineare le linguette del coperchio della bobina con le fessure dell'alloggiamento.
- ◆ Spingere il coperchio nell'alloggiamento fino a bloccarlo in posizione.
- ◆ Se il filo di taglio sporge oltre la lama di tosatura, tagliarlo in modo che non superi il perimetro della lama.

Se l'alimentazione automatica del filo continua a non funzionare, o se la bobina è inceppata, procedere come indicato di seguito:

- ◆ Pulire accuratamente l'alloggiamento e il coperchio della bobina.
- ◆ Estrarre la bobina e controllare se la leva si muove liberamente.
- ◆ Togliere la bobina e srotolare il filo di taglio, poi avvolgere nuovamente il filo, come descritto in precedenza. Sostituire la bobina come indicato.

## Manutenzione

Questo apparecchio/elettrotensile con filo o a batteria Black & Decker è stato progettato per funzionare a lungo con un minimo di manutenzione. Per un funzionamento sempre soddisfacente è necessario avere cura dell'elettrotensile e provvedere alla regolare pulizia.

**Attenzione!** Prima di eseguire qualunque intervento di manutenzione su elettrotensili con filo o a batteria:

- ◆ Spegnerne l'apparecchio/elettrotensile e disinserire la spina.
- ◆ Oppure spegnere e rimuovere la batteria se l'apparecchio/elettrotensile è dotato di una batteria separata.
- ◆ Oppure, far scaricare completamente la batteria, se è integrata, quindi spegnere l'elettrotensile.
- ◆ Scollegare il caricabatterie dalla presa elettrica prima di pulirlo. Il caricabatterie non richiede alcun tipo di manutenzione oltre a una regolare pulizia.
- ◆ Pulire regolarmente con una spazzola morbida o un panno asciutto le prese di ventilazione dell'elettrotensile/apparecchio e del caricabatterie.
- ◆ Il vano del motore deve essere pulito regolarmente con un panno umido. Non usare materiali abrasivi o detergenti a base di solventi.
- ◆ Aprire regolarmente il mandrino e colpirlo leggermente per togliere tutta la polvere dall'interno (quando è installato).

## Protezione dell'ambiente



Raccolta differenziata. Questo prodotto non deve essere smaltito con i normali rifiuti domestici.

Nel caso in cui si decida di sostituire l'apparecchio oppure di disfarsene in quanto non più necessario, non dovrà essere smaltito con i normali rifiuti domestici. Smaltire il prodotto tramite raccolta differenziata.



La raccolta differenziata di prodotti e imballaggi usati, consente il riciclaggio e il riutilizzo dei materiali. Riutilizzare i materiali riciclati aiuta a prevenire l'inquinamento ambientale e riduce la richiesta di materie prime.

In base alle normative locali, i servizi per la raccolta differenziata di elettrodomestici possono essere disponibili presso i punti di raccolta municipali o presso il rivenditore, al momento dell'acquisto di un nuovo prodotto.

Black & Decker offre ai suoi clienti un servizio per la raccolta differenziata e la possibilità di riciclare i prodotti Black & Decker che hanno esaurito la loro durata in servizio. Per usufruire del servizio, è sufficiente restituire il prodotto a qualsiasi tecnico autorizzato, incaricato della raccolta per conto dell'azienda.

Per individuare il tecnico autorizzato più vicino, rivolgersi alla sede Black & Decker locale, presso il recapito indicato nel presente manuale. Altrimenti un elenco completo di tutti i tecnici autorizzati Black & Decker e i dettagli completi sui contatti e i servizi post-vendita sono disponibili sul sito Internet: [www.2helpU.com](http://www.2helpU.com)

## Dati tecnici

|                   |                   | GL701    | GL710    | GL716    |
|-------------------|-------------------|----------|----------|----------|
|                   |                   | TYPE 3-5 | TYPE 3-5 | TYPE 3-5 |
| Tensione          | $V_{AC}$          | 230      | 230      | 230      |
| Potenza assorbita | W                 | 550      | 520      | 580      |
| Velocità a vuoto  | $\text{min}^{-1}$ | 6.500    | 6.500    | 6.500    |
| Peso              | kg                | 3,2      | 3,2      | 3,2      |

|                   |                   | GL720    | GL741    |
|-------------------|-------------------|----------|----------|
|                   |                   | TYPE 3-5 | TYPE 3-5 |
| Tensione          | $V_{AC}$          | 230      | 230      |
| Potenza assorbita | W                 | 600      | 700      |
| Velocità a vuoto  | $\text{min}^{-1}$ | 6.500    | 6.500    |
| Peso              | kg                | 3,2      | 3,2      |

Livello vibrazioni mani/braccia, dati conformi alla norma EN 786:  $=7.5 \text{ m/s}^2$ , incertezza (K) =  $1.5 \text{ m/s}^2$

**Dichiarazione di conformità CE**

DIRETTIVA MACCHINE

DIRETTIVA SULLE EMISSIONI ACUSTICHE DELLE  
MACCHINE DESTINATE A FUNZIONARE ALL'ARIA APERTA

GL701/GL710/GL716/GL720/GL741

Black &amp; Decker dichiara che i prodotti descritti nella sezione

"dati tecnici" sono conformi con:

98/37/CE (fino al 28 dicembre 2009), 2006/42/CE  
(dal 29 dicembre 2009), EN 60335-1, EN 60335-2-912000/14/CE, Tosaerba, L ≤ 50 cm, Allegato VIII  
KEMA Quality B.V., Utrechtseweg 310, 6802 ED Arnhem,  
Paesi Bassi  
Notified Body ID No.: 0344Livello di potenza acustica conforme con 2000/14/CE  
(Articolo 12, Allegato III, L ≤ 50 cm):  
 $L_{WA}$  (potenza sonora misurata) 95 dB(A)  
incertezza (K) = 3 dB(A)  
 $L_{WA}$  (potenza sonora garantita) 96 dB(A)  
incertezza (K) = 3 dB(A)Detti prodotti sono inoltre conformi con la direttiva 2004/108/CE.  
Per ulteriori informazioni, contattare Black & Decker ai  
seguenti indirizzi o consultare il retro del manuale.Il sottoscritto è responsabile della compilazione del file tecnico  
e rilascia la presente dichiarazione per conto di Black & Decker.Kevin Hewitt  
Vicepresidente progettazione globale  
Black & Decker Europe, 210 Bath Road, Slough,  
Berkshire, SL1 3YD  
Regno Unito  
1-10-2009

N. di richiesta brevetto nel Regno Unito: 059745.6

Numeri di richiesta del modello depositato nella Comunità  
Europea: 340385-0001 & 339544-0001**Garanzia**Certa della qualità dei suoi prodotti, Black & Decker offre una  
garanzia eccezionale. Il presente certificato di garanzia  
è complementare ai diritti statutari e non li pregiudica in alcun  
modo. La garanzia è valida entro il territorio degli Stati membri  
dell'Unione Europea e dell'EFTA (European Free Trade Area).Se un prodotto Black & Decker risulta difettoso per qualità del  
materiale, della costruzione o per mancata conformità entro  
24 mesi dalla data di acquisto, Black & Decker garantisce la  
sostituzione delle parti difettose, provvede alla riparazione dei  
prodotti se ragionevolmente usurati oppure alla loro  
sostituzione, in modo da ridurre al minimo il disagio del cliente  
a meno che:

- ◆ Il prodotto non sia stato destinato ad usi commerciali,  
professionali o al noleggio;
- ◆ Il prodotto non sia stato usato in modo improprio  
o scorretto;
- ◆ Il prodotto non abbia subito danni causati da oggetti  
o sostanze estranee oppure incidenti;
- ◆ Il prodotto non abbia subito tentativi di riparazione non  
effettuati da tecnici autorizzati né dall'assistenza  
Black & Decker.

Per attivare la garanzia è necessario esibire la prova  
comprovante l'acquisto al venditore o al tecnico autorizzato.  
Per individuare il tecnico autorizzato più vicino, rivolgersi alla  
sede Black & Decker locale, presso il recapito indicato nel  
presente manuale. Altrimenti un elenco completo di tutti  
i tecnici autorizzati Black & Decker e i dettagli completi sui  
contatti e i servizi post-vendita sono disponibili su Internet  
presso: [www.2helpU.com](http://www.2helpU.com)I clienti che desiderano registrare il nuovo prodotto  
Black & Decker e ricevere gli aggiornamenti sui nuovi prodotti  
e le offerte speciali, sono invitati a visitare il sito Web  
([www.blackanddecker.it](http://www.blackanddecker.it)). Ulteriori informazioni sul marchio  
e la gamma di prodotti Black & Decker sono disponibili  
all'indirizzo [www.blackanddecker.it](http://www.blackanddecker.it)

## Gebruik volgens bestemming

Uw Black & Decker strimmer is ontworpen voor het knippen en afwerken van graskanten alsmede voor het knippen van gras in besloten ruimtes. Dit apparaat is uitsluitend bedoeld voor consumentengebruik.

## Veiligheidsvoorschriften

**Waarschuwing!** Bij het gebruik van elektrische apparaten dienen ter bescherming tegen brandgevaar, elektrische schok, letsel en materiële schade altijd gepaste veiligheidsmaatregelen in acht te worden genomen, waaronder de volgende veiligheidsvoorschriften.

- ◆ Lees de gehele gebruiksaanwijzing aandachtig door voordat u het apparaat gaat gebruiken.
- ◆ Het bedoelde gebruik wordt in deze handleiding beschreven. Gebruik ter voorkoming van lichamelijk letsel uitsluitend de in deze gebruiksaanwijzing aanbevolen accessoires en hulpstukken. Gebruik het apparaat uitsluitend waarvoor het bedoeld is.
- ◆ Bewaar deze instructies zorgvuldig.

## Gebruik van het apparaat

Kijk altijd goed uit wanneer u het apparaat gebruikt.

- ◆ Draag altijd een veiligheidsbril.
- ◆ Verbied kinderen en personen die niet van de inhoud van de handleiding op de hoogte zijn het gebruik van het apparaat.
- ◆ Houd kinderen en dieren buiten het werkgebied en laat ze dit apparaat of het elektriciteitssnoer niet aanraken.
- ◆ Als u met het apparaat in de buurt van kinderen komt, dient er goed op hen gelet te worden.
- ◆ Dit apparaat is niet bedoeld voor gebruik door jonge of lichamelijk zwakke personen zonder toezicht.
- ◆ Dit apparaat dient niet als speelgoed gebruikt te worden.
- ◆ Gebruik het apparaat alleen bij daglicht of goed kunstlicht.
- ◆ Gebruik alleen op een droge plaats. Laat het apparaat niet nat worden.
- ◆ Dompel het apparaat niet in water onder.
- ◆ Open de behuizing niet. Er bevinden zich geen door de gebruiker verwisselbare onderdelen in het apparaat.
- ◆ Werk niet met apparaten in een omgeving met explosiegevaar, zoals in aanwezigheid van brandbare vloeistoffen, gassen of stof.
- ◆ Trek niet aan de kabel om de stekker uit het stopcontact te verwijderen om risico op kabel- en stekkerschade te verkleinen.

## Veiligheid van anderen

- ◆ Dit apparaat is niet bedoeld voor gebruik door personen (inclusief kinderen) met beperkt lichamelijk, zintuigelijk of geestelijk vermogen, of gebrek aan ervaring en kennis, tenzij ze de supervisie of instructie is gegeven omtrent het gebruik van het apparaat door een persoon die verantwoordelijk is voor hun veiligheid.

- ◆ Houd toezicht op kinderen om ervoor te zorgen dat zij niet met het apparaat gaan spelen.

## Na gebruik

- ◆ Berg het apparaat na gebruik op in een droge, goed geventileerde ruimte, buiten het bereik van kinderen.
- ◆ Kinderen mogen geen toegang hebben tot opgeborgen apparaten.
- ◆ Wanneer het apparaat is opgeborgen of wordt getransporteerd in een voertuig moet het apparaat worden geplaatst in het oplaadstation of worden voorkomen dat het apparaat kan bewegen door plotselinge verandering van snelheid en richting.

## Inspectie en reparatie

- ◆ Controleer het apparaat voor gebruik op beschadigde of defecte onderdelen. Controleer op kapotte onderdelen en enige andere zaken die de werking nadelig kunnen beïnvloeden.
- ◆ Gebruik het apparaat niet als een onderdeel beschadigd of defect is.
- ◆ Defecte onderdelen dienen door een erkend servicecentrum te worden gerepareerd of vervangen.
- ◆ Probeer nooit om enig onderdeel anders dan in deze handleiding beschreven te verwijderen of te vervangen.

## Verlengsnoeren

Gebruik uitsluitend goedgekeurde verlengsnoeren, die geschikt zijn voor het vermogen van het apparaat (zie technische gegevens). Het verlengsnoer dient geschikt te zijn voor gebruik buitenshuis en als zodanig zijn gemerkt. Een 1,5 mm<sup>2</sup> HO5VV-F verlengsnoer met een lengte tot 30 m kan worden gebruikt zonder dat dit de werking van de machine beïnvloedt. Controleer het verlengsnoer voor gebruik op beschadiging, veroudering en slijtage. Vervang een beschadigd of defect verlengsnoer. Wanneer het verlengsnoer op een haspel zit, rol het snoer dan helemaal af.

## Aanvullende veiligheidsinstructies voor snoeiers

**Waarschuwing!** Snijelementen blijven draaien nadat de motor is uitgeschakeld.

- ◆ Zorg ervoor dat u bekend bent met de bedieningsonderdelen en het juiste gebruik van het apparaat.
- ◆ Controleer voor gebruik het elektriciteitssnoer en de verlengsnoer op beschadiging, veroudering en slijtage. Indien een snoer tijdens gebruik beschadigd raakt, verwijdert u het netsnoer onmiddellijk uit het stopcontact. **RAAK HET SNOER NIET AAN, VOORDAT DE STROOM IS UITGESCHAKELD.**
- ◆ Gebruik het apparaat niet als de snoeren beschadigd of versleten zijn.
- ◆ Draag stevige schoenen of laarzen om uw voeten te beschermen.

- ◆ Draag een lange broek om uw benen te beschermen.
- ◆ Controleer voordat u de machine in gebruik neemt of er geen stokjes, steentjes, draad en andere obstakels op het te maaien gebied liggen.
- ◆ Gebruik het apparaat alleen in rechtopstaande positie, met het snijdraad in de buurt van de grond. Schakel de machine nooit in een andere positie in.
- ◆ Beweeg langzaam wanneer u het apparaat gebruikt. Houd er rekening mee dat pas gemaaid gras vochtig en glad is.
- ◆ Werk niet op steile hellingen. Bewerk taluds in stroken van links naar rechts, niet van boven naar beneden.
- ◆ Steek nooit grindpaden of -wegen over terwijl het apparaat is ingeschakeld.
- ◆ Raak nooit de snijdraad aan terwijl het apparaat is ingeschakeld.
- ◆ Zet de machine niet neer voordat de snijdraad volledig tot stilstand is gekomen.
- ◆ Gebruik uitsluitend het geschikte type snijdraad. Gebruik nooit snijdraad van metaal of vislijn.
- ◆ Voorkom aanraking van het snijmes.
- ◆ Zorg dat het netsnoer uit de buurt van het snijdraad wordt gehouden. Zorg dat u altijd weet waar het snoer zich bevindt.
- ◆ Houd altijd en handen en voeten uit de buurt van de snijdraad, vooral bij het inschakelen van de motor.
- ◆ Controleer het apparaat voor gebruik en na harde schokken op slijtage of beschadiging en repareer indien noodzakelijk.
- ◆ Gebruik het apparaat nooit met beschadigde beschermkappen of zonder dat beschermkappen zijn aangebracht.
- ◆ Voorkom verwonding door apparaten om de snoeidraad mee af te knippen. Breng na het verlengen van de snijdraad het apparaat altijd weer in de normale stand terug alvorens hem in te schakelen.
- ◆ Zorg er altijd voor dat de ventilatieopeningen vrij zijn van afval.
- ◆ Gebruik de grastrimmer niet als de snoeren beschadigd of versleten zijn.
- ◆ Houd het verlengsnoer uit de buurt van de snijbladen.

## Labels op het apparaat

Het apparaat is voorzien van de volgende pictogrammen:



Lees de handleiding voordat u met de machine gaat werken.



Draag een veiligheidsbril als u dit apparaat bedient.



Houd mensen en dieren tenminste 6 m uit de buurt van de snijdraad.



Stel de machine niet bloot aan regen.

## Elektrische veiligheid



Dit apparaat is dubbel geïsoleerd; een aardaansluiting is daarom niet noodzakelijk. Controleer altijd of uw netspanning overeenkomt met de waarde op het typeplaatje.

- ◆ Laat een beschadigd netsnoer vervangen door de fabrikant of een erkend Black & Decker Servicecentrum om gevaren te voorkomen.

## Onderdelen

Al naar gelang de uitvoering beschikt dit apparaat over de volgende onderdelen.

1. Aan/uit-schakelaar
2. Handgreep
3. Netsnoerklem
4. Netaansluiting
5. Extra handgreep
6. Instelknop
7. Buis
8. Beschermkap
9. Snijmes
10. Spoelbehuizing
11. Snijdraad
12. Kantengeleider

## Assemblage

**Waarschuwing!** Zorg vóór aanvang van de montage dat de machine is uitgeschakeld en de stekker uit het stopcontact is gehaald.

## Aanbrengen van de beschermkap (fig. A)

- ◆ Verwijder de zeskantschroeven (13) uit de kop (14).
- ◆ Plaats het scherm (8) op het apparaat zoals afgebeeld.
- ◆ Duw de beschermkap stevig aan totdat hij op zijn plaats klikt.
- ◆ Bevestig de beschermkap met de zeskantschroeven.
- ◆ Draai de zeskantschroeven vast met behulp van de meegeleverde zeskantsleutel (15).

**Waarschuwing!** Gebruik het apparaat nooit zonder dat de beschermkap naar behoren is aangebracht.

## Losmaken van het snijdraad

Voor transport wordt het snijdraad aan de spoelbehuizing vastgeplakt.

- ◆ Verwijder de tape waarmee het snijdraad (11) aan de spoelbehuizing (10) is vastgeplakt.

## Het apparaat op het elektriciteitsnet aansluiten

- ◆ Sluit een geschikt verlengsnoer aan op de netaansluiting (4).
- ◆ Haal het snoer door de trekontlasting (3).
- ◆ Steek de stekker in een stopcontact.

**Waarschuwing!** Het verlengsnoer dient geschikt te zijn voor gebruik buitenshuis.

## Overige risico's.

Er kunnen zich tijdens het gebruik van het gereedschap ook andere risico's voordoen die misschien niet in de bijgevoegde veiligheidswaarschuwingen worden vermeld. Deze risico's kunnen zich voordoen als gevolg van onoordeelkundig gebruik, langdurig gebruik, enz.

Zelfs als de veiligheidsvoorschriften in acht worden genomen en de veiligheidsvoorzieningen worden geïmplementeerd, kunnen bepaalde risico's niet worden vermeden. Deze omvatten:

- ◆ **Verwondingen die worden veroorzaakt door het aanraken van draaiende of bewegende onderdelen.**
- ◆ **Verwondingen die worden veroorzaakt bij het vervangen van onderdelen, bladen of accessoires.**
- ◆ **Verwondingen die worden veroorzaakt door langdurig gebruik van het gereedschap. Als u langere periodes met het gereedschap werkt, is het raadzaam om regelmatig een pauze in te lassen.**
- ◆ **Gehoorschadiging.**
- ◆ **Gezondheidsrisico's als gevolg van het inademen van stof dat door gebruik van het gereedschap wordt veroorzaakt (bijvoorbeeld tijdens het werken met hout, vooral eiken, beuken en MDF).**

## Gebruik

**Waarschuwing!** Laat de machine op haar eigen tempo werken. Niet overbelasten.

## Instellen van het apparaat voor strimmen en graskantsnijden (fig. B - D)

Het apparaat kan worden gebruikt voor strimmen zoals afgebeeld in fig. B, of voor graskantsnijden om overhangend gras langs graskanten en bloembedden te strimmen zoals afgebeeld in fig. C.

### Strimmen (fig. B & D)

Voor strimmen staat de strimkop in de stand zoals afgebeeld in fig. B. Indien dit niet het geval is:

- ◆ Druk de instelknop in (6).
- ◆ Verdraai de buis (7), terwijl u de instelknop loslaat.
- ◆ Zodra de kop in positie is, zal de knop vastklikken.

Opmerking: De buis kan slechts in één richting draaien.

### Graskantsnijden (fig. C & D)

Voor graskantsnijden staat de strimkop in de stand zoals afgebeeld in fig. C. Indien dit niet het geval is:

- ◆ Druk de instelknop in (6).
- ◆ Verdraai de buis (7), terwijl u de instelknop loslaat.
- ◆ Zodra de kop in positie is, zal de knop vastklikken.

**Opmerking:** De buis kan slechts in één richting draaien.

## De hoogte van het apparaat instellen (fig. D)

Dit apparaat heeft een uitschuifmechanisme waardoor u een comfortabele hoogte kunt instellen. Er zijn drie hoogteinstellingen. Ga als volgt te werk om de hoogte in te stellen:

- ◆ Druk de instelknop in (6).
- ◆ Trek de buis (7) voorzichtig uit het motorhuis (16) tot de gewenste hoogte, terwijl u de knop loslaat.
- ◆ Zodra de buis in positie is, zal de knop vastklikken.

## Aan- en uitschakelen

- ◆ Om het apparaat in te schakelen, knijpt u de trekkerhendel (1) in.
- ◆ Om het apparaat uit te schakelen, laat u de trekkerhendel los.

**Waarschuwing!** Probeer nooit om de trekkerhendel in de ingeschakelde stand te vergrendelen.

## Tips voor optimaal gebruik

### Algemeen

- ◆ Voor een optimaal resultaat kunt u het beste alleen droog gras bewerken.

### Strimmen

- ◆ Houd het apparaat vast zoals afgebeeld in fig. B.
- ◆ Zwaai de strimmer langzaam heen en weer.
- ◆ Ga bij het bewerken van lang gras laag voor laag te werk vanaf de bovenkant. Neem kleine stroken.
- ◆ Houd het apparaat uit de buurt van harde voorwerpen en fijne beplanting.
- ◆ Verminder de belasting als het apparaat langzamer begint te draaien.

### Graskantsnijden

De beste resultaten worden bereikt op kanten die dieper zijn dan 50 mm.

- ◆ Gebruik het apparaat niet voor het maken van kanten. Gebruik een spade om kanten te maken.
- ◆ Geleid het apparaat vast zoals afgebeeld in fig. C.
- ◆ Houd het apparaat een beetje schuin om een nauwkeuriger kant te snijden.

## Aanbrengen van een nieuwe draadspoel (fig. E & G)

Vervangende draadspoelen zijn verkrijgbaar bij uw Black & Decker-dealer (catalogusnr. A6495).

- ◆ Houd de lippen (17) ingedrukt en verwijder het spoeldeksel (18) van de behuizing (10).

- ◆ Verwijder de lege spoel (19) uit de behuizing.
- ◆ Verwijder vuil en gras uit het spoeldeksel en de behuizing.
- ◆ Plaats de nieuwe spoel op de as in de behuizing van de spoel waarbij de draden in de sleuven (23) moeten worden gezet (fig. F).
- ◆ Steek de uiteinden van de draden door de geschikte ogen (20) in de behuizing (10). Trek aan de losse draad totdat deze uit de sleuven (23) wordt getrokken (fig. G).
- ◆ Houd de lippen (17) op de draadspoel voor de uitsnijdingen (21) in de behuizing.
- ◆ Druk het deksel (18) op de behuizing (10) totdat het netjes op zijn plaats klikt.

**Opmerking:** Zorg ervoor dat het deksel correct geplaatst is. Er moeten twee klikken hoorbaar zijn zodat u zeker kunt zijn dat beide lippen op de juiste manier zijn aangebracht.

**Waarschuwing!** Knip het snijdraad af als het verder dan het snijmes (9) uitsteekt zodat het draad het mes niet raakt.

## Winden van nieuwe draad op een lege spoel (fig. H - J)

U kunt nieuwe snijdraad op een lege spoel winden.

Vervangende snijdraad is verkrijgbaar bij uw

Black & Decker-dealer (catalogusnr. A6171).

- ◆ Verwijder de lege spoel uit apparaat zoals hierboven beschreven.
- ◆ Verwijder het oude snijdraad uit de spoel.
- ◆ Wind het nieuwe draad eerst op het bovenste gedeelte van de spoel:
  - Voer 2 cm snijdraad in een van de gaten in het bovenste gedeelte van de spoel zoals afgebeeld.
  - Wind het snijdraad op de spoel in de richting van de pijl. Zorg dat de draad netjes in lagen op de spoel wordt gewonden. Niet kriskras opwinden.
  - Knip het snijdraad door zodra het opgewonden draad tot de uitsparingen (22) komt.
  - Stop het draad tijdelijk in de sleuven (23) aan één kant van de spoel zoals afgebeeld.
- ◆ Herhaal de bovenstaande procedure voor het tweede snijdraad op het onderste gedeelte van de spoel. Stop het draad in de ongebruikte sleuven (23).
- ◆ Ga verder te werk zoals hierboven beschreven om de spoel op het apparaat aan te brengen. Vergeet niet om het snijdraad uit de sleuven (23) te verwijderen.

**Waarschuwing!** Gebruik uitsluitend het geschikte type Black & Decker-snijdraad. Zorg dat er op beide gedeeltes van de spoel snijdraad zit.

## Storingen verhelpen

Indien uw machine niet naar behoren functioneert, volg dan onderstaande instructies. Als hierdoor het probleem niet wordt opgelost, kunt u contact opnemen met uw plaatselijke Black & Decker service-centrum.

**Waarschuwing!** Neem voor de werkzaamheden de netstekker uit het stopcontact.

## Apparaat draait langzaam

- ◆ Controleer of de behuizing van de spoel vrij kan ronddraaien. Maak indien nodig de behuizing schoon.
- ◆ Controleer of het snijdraad niet meer dan 11 cm uitsteekt vanaf de behuizing van de spoel. Knip indien dit wel het geval is de draad af zodat hij niet het snijmes raakt.

## Automatische draadvoeding werkt niet

- ◆ Houd de lippen ingedrukt en verwijder het spoeldeksel van de behuizing.
- ◆ Trek aan het snijdraad totdat het 11 cm uitsteekt vanaf de behuizing. Plaats een nieuwe spoel met snijdraad (zie bovenstaande instructies) indien er onvoldoende snijdraad op de spoel is overgebleven.
- ◆ Houd de lippen op de draadspoel voor de uitsnijdingen in de behuizing.
- ◆ Druk het deksel op de behuizing totdat het netjes op zijn plaats klikt.
- ◆ Knip de snijdraad af als hij verder dan het snijmes uitsteekt zodat de draad het mes niet raakt.

Indien de automatische draadvoeding nog steeds niet werkt of de spoel vastzit, probeer dan de volgende suggesties:

- ◆ Reinig zorgvuldig het deksel en de behuizing van de spoel.
- ◆ Verwijder de spoel en controleer of de hefboom vrij kan bewegen.
- ◆ Verwijder de spoel en wikkel de snijdraad af, wind het daarna weer netjes op de spoel zoals hierboven beschreven. Plaats de spoel terug volgens instructies.

## Onderhoud

Uw Black & Decker machine met/zonder snoer is ontworpen om gedurende langere periode te functioneren met een minimum aan onderhoud. Voortdurend tevreden gebruik is afhankelijk van correct onderhoud en regelmatig schoonmaken.

**Waarschuwing!** Vóór aanvang van onderhoudswerkzaamheden aan apparaten met/zonder snoer:

- ◆ Schakel het apparaat / de machine uit en haal de stekker uit het stopcontact.
- ◆ Of schakel het apparaat / de machine uit of verwijder de accu van het apparaat / de machine indien het apparaat / de machine een aparte accu heeft.
- ◆ Of laat de accu volledig leeglopen indien de accu geïntegreerd is en schakel vervolgens uit.
- ◆ Haal voor het reinigen van de oplader de stekker uit het stopcontact. Uw oplader heeft geen ander onderhoud dan een regelmatige reiniging.
- ◆ Reinig regelmatig de ventilatieopeningen van uw apparaat/machine/oplader met behulp van een zachte borstel of een droge doek.



- ◆ Reinig regelmatig de behuizing van de motor met een vochtige doek. Gebruik geen schuur- of oplosmiddel bij het reinigen.
- ◆ Open regelmatig de boorhouder en tik zachtjes om eventueel stof uit de binnenkant te verwijderen (indien aanwezig).

## Milieu



Gescheiden inzameling. Dit product mag niet met het gewone huishoudelijke afval worden weggegooid.

Wanneer uw oude Black & Deckerproduct aan vervanging toe is of het u niet langer van dienst kan zijn, gooi het dan niet bij het huishoudelijk afval. Zorg ervoor dat het product gescheiden kan worden ingezameld.



Door gebruikte producten en verpakkingen gescheiden in te zamelen, worden de materialen gerecycled en opnieuw gebruikt. Hergebruik van gerecyclede materialen voorkomt milieuvuiling en vermindert de vraag naar grondstoffen.

Inzamelpunten voor gescheiden inzameling van elektrische huishoudproducten bij gemeentelijke vuilnisbergen of bij de verkoper waar u een nieuw product koopt, kunnen aan plaatselijke voorschriften gebonden zijn.

Black & Decker biedt de mogelijkheid tot inzamelen en recyclen van afgedankte Black & Decker producten. Om gebruik van deze service te maken, dient u het product aan een van onze servicecentra te sturen, die voor ons de inzameling verzorgen.

U kunt het adres van het dichtstbijzijnde servicecentrum opvragen via de adressen op de achterzijde van deze handleiding. U kunt ook een lijst van onze servicecentra en meer informatie m.b.t. onze klantenservice vinden op het volgende Internet-adres: [www.2helpU.com](http://www.2helpU.com)

## Technische gegevens

|                    |                   | GL701    | GL710    | GL716    |
|--------------------|-------------------|----------|----------|----------|
|                    |                   | TYPE 3-5 | TYPE 3-5 | TYPE 3-5 |
| Spanning           | $V_{AC}$          | 230      | 230      | 230      |
| Opgenomen vermogen | W                 | 550      | 520      | 580      |
| Onbelast toerental | $\text{min}^{-1}$ | 6.500    | 6.500    | 6.500    |
| Gewicht            | kg                | 3,2      | 3,2      | 3,2      |

|                    |                   | GL720    | GL741    |
|--------------------|-------------------|----------|----------|
|                    |                   | TYPE 3-5 | TYPE 3-5 |
| Spanning           | $V_{AC}$          | 230      | 230      |
| Opgenomen vermogen | W                 | 600      | 700      |
| Onbelast toerental | $\text{min}^{-1}$ | 6.500    | 6.500    |
| Gewicht            | kg                | 3,2      | 3,2      |

Trilling op hand/arm volgens EN 786:  
 = 7,5  $\text{m/s}^2$  , onzekerheid (K) = 1.5  $\text{m/s}^2$

## EG-conformiteitsverklaring

MACHINERICHTLIJN  
RICHTLIJN GELUID BUITENSHUIS



GL701/GL710/GL716/GL720/GL741

Black & Decker verklaart dat deze producten, zoals onder "technische gegevens" beschreven, overeenkomstig zijn met: 98/37/EG (tot 28 dec. 2009), 2006/42/EG (vanaf 29 dec. 2009), EN 60335-1, EN 60335-2-91

2000/14/EG, Grastrimmer, L ≤ 50 cm, Bijlage VIII  
KEMA Quality B.V., Utrechtseweg 310, 6802 ED Arnhem,  
Nederland  
Notified Body ID No.: 0344

Niveau van het geluidsvermogen volgens 2000/14/EG  
(Artikel 12, Bijlage III, L ≤ 50 cm):  
L<sub>WA</sub> (gemeten geluidsvermogen) 95 dB(A)  
onzekerheid (K) = 3 dB(A)  
L<sub>WA</sub> (gegarandeerd geluidsvermogen) 96 dB(A)  
onzekerheid (K) = 3 dB(A)

Deze producten zijn ook in overeenstemming met richtlijn 2004/108/EG. Neem voor meer informatie contact op met Black & Decker via het volgende adres of zie de achterzijde van de handleiding.

De ondergetekende is verantwoordelijk voor de samenstelling van de technische gegevens en geeft deze verklaring namens Black & Decker.

Kevin Hewitt  
Vice-President Global Engineering  
Black & Decker Europe, 210 Bath Road, Slough,  
Berkshire, SL1 3YD  
Verenigd Koninkrijk  
1-10-2009

Patentnr's voor VK: 059745.6

Patentnr's ontwerp voor de Europese Gemeenschap:  
340385-0001 & 339544-0001

## Garantie

Black & Decker heeft vertrouwen in zijn producten en biedt een uitstekende garantie. Deze garantiebepalingen vormen een aanvulling op uw wettelijke rechten en beperken deze niet. De garantie geldt in de lidstaten van de Europese Unie en de Europese Vrijhandelsassociatie.

Mocht uw Black & Decker product binnen 24 maanden na datum van aankoop defect raken tengevolge van materiaal- of constructiefouten, dan garanderen wij de kosteloze vervanging van defecte onderdelen, de reparatie van het product of de vervanging van het product, tenzij:

- ◆ Het product is gebruikt voor handelsdoeleinden, professionele toepassingen of verhuurdoeleinden;
- ◆ Het product onoordeelkundig is gebruikt;
- ◆ Het product is beschadigd door invloeden van buitenaf of door een ongeval;
- ◆ Reparaties zijn uitgevoerd door anderen dan onze servicecentra of Black & Decker personeel.

Om een beroep op de garantie te doen, dient u een aankoopbewijs te overhandigen aan de verkoper of een van onze servicecentra. U kunt het adres van het dichtstbijzijnde servicecentrum opvragen via de adressen op de achterzijde van deze handleiding. U kunt ook een lijst van onze servicecentra en meer informatie m.b.t. onze klantenservice vinden op het volgende Internet-adres: **www.2helpU.com**

Meld u aan op onze website **www.blackanddecker.nl** om te worden geïnformeerd over nieuwe producten en speciale aanbiedingen. Verdere informatie over het merk Black & Decker en onze producten vindt u op **www.blackanddecker.nl**

## Finalidad

El recortabordes Black & Decker se ha diseñado para recortar y rematar bordes de césped y para cortar el césped en espacios reducidos. Este aparato está pensado para su uso doméstico únicamente.

## Instrucciones de seguridad

**¡Atención!** Cuando use aparatos eléctricos, debe seguir siempre las precauciones de seguridad básicas, incluidas las siguientes, a fin de reducir el riesgo de incendios, electrocución, lesiones personales y daños materiales.

- ◆ Lea atentamente el manual completo antes de utilizar el aparato.
- ◆ En este manual se explica el uso previsto para este aparato. El uso de otros accesorios o adaptadores, o la propia utilización de este aparato en cualquier forma diferente de las recomendadas en este manual de instrucciones, puede constituir un riesgo de lesiones a las personas.
- ◆ Conserve este manual a mano para consultas posteriores.

## Utilización del aparato

Tenga siempre cuidado cuando utilice este aparato.

- ◆ Lleve siempre gafas de cristal inastillable o protectoras.
- ◆ Nunca deje que el aparato sea utilizado por niños o por personas que no estén familiarizadas con las instrucciones de uso.
- ◆ No permita que niños, otras personas o animales se acerquen al área de trabajo ni toquen el aparato o el cable eléctrico.
- ◆ Es necesario estar muy atento cuando se utiliza el aparato cerca de niños.
- ◆ Este aparato no ha sido concebido para ser utilizado por jóvenes ni personas discapacitadas sin supervisión.
- ◆ Este aparato no debe utilizarse como un juguete.
- ◆ Utilice el aparato sólo a la luz del día o con una buena iluminación artificial.
- ◆ Utilícelo únicamente en un lugar seco. No deje que el aparato se moje.
- ◆ No sumerja el aparato en el agua.
- ◆ No abra la carcasa. No hay piezas reparables por el usuario en el interior.
- ◆ No utilice el aparato en un entorno con peligro de explosión, en el que se encuentren combustibles líquidos, gases o material en polvo.
- ◆ Para reducir el riesgo de daños en el enchufe o el cable eléctrico, nunca tire del cable para sacar el enchufe de la toma.

## Seguridad de otras personas

- ◆ Este aparato no está destinado para ser utilizado por personas (niños incluidos) con capacidades físicas, sensoriales o mentales reducidas, o que carezcan de experiencia y conocimiento, a menos que reciban supervisión o instrucción respecto al uso del aparato por una persona responsable de su seguridad.
- ◆ Debe vigilarse a los niños para asegurarse de que no jueguen con el aparato.

## Después del uso

- ◆ Los aparatos que no se utilizan, deben almacenarse en un lugar seco y bien ventilado, fuera del alcance de los niños.
- ◆ Los niños no deben tener acceso a los aparatos guardados.
- ◆ Cuando el aparato se almacene o transporte en un vehículo, éste debe colocarse en el maletero o debe sujetarse para evitar posibles movimientos tras cambios súbitos de velocidad o dirección.

## Inspección y reparaciones

- ◆ Antes del uso, revise el aparato para ver si está dañado o tiene piezas defectuosas. Compruebe si hay alguna pieza rota o cualquier circunstancia que pudiera afectar a su funcionamiento.
- ◆ No utilice el aparato si hay alguna pieza dañada o defectuosa.
- ◆ Encargue al servicio técnico autorizado que repare o sustituya las piezas defectuosas o averiadas.
- ◆ Nunca intente extraer o sustituir ninguna de las piezas que no sean las especificadas en este manual.

## Utilización de un cable alargador

Utilice siempre cables alargadores homologados, apropiados para el consumo de corriente de este aparato (consulte los datos técnicos). El cable alargador debe ser adecuado para uso en exteriores y estar marcado en consonancia. Puede utilizarse un cable alargador H05VV-F de 1.5 mm<sup>2</sup> de hasta 30 m sin pérdida de rendimiento del producto. Antes de utilizar el aparato, revise el cable alargador para ver si presenta indicios de daños, envejecimiento o desgasto. Sustituya el cable alargador si estuviera dañado o defectuoso. Si utiliza una bobina de cable, desenrolle siempre el cable completamente.

## Instrucciones de seguridad adicionales para recortabordes

**¡Atención!** Los elementos de corte continúan girando después de apagar el motor.

- ◆ Familiarícese con los controles y el uso adecuado del aparato.

◆ Antes del uso, compruebe que el cable eléctrico y el alargador no presenten señales de daños, envejecimiento o desgaste. Si un cable resulta dañado durante el uso, desconecte éste de la red eléctrica inmediatamente. **NO TOQUE EL CABLE ANTES DE DESCONECTAR LA CORRIENTE.**

- ◆ No utilice el aparato si los cables están desgastados o dañados.
- ◆ Lleve zapatos resistentes o botas para protegerse los pies.
- ◆ Lleve pantalones largos para protegerse las piernas.
- ◆ Antes de usar el aparato, compruebe que el trayecto de corte esté libre de palos, piedras, cables o cualquier otro obstáculo.
- ◆ Use el aparato únicamente en posición vertical, con el hilo de corte próximo al suelo. Nunca encienda el aparato en ninguna otra posición.
- ◆ Muévase lentamente mientras use el aparato. Tenga en cuenta que el césped recién cortado está húmedo y resbaladizo.
- ◆ No trabaje en pendientes empinadas. Trabaje a lo ancho en las pendientes, no hacia arriba y abajo.
- ◆ Nunca cruce caminos de grava o carreteras con el aparato funcionando.
- ◆ Nunca toque el hilo de corte mientras el aparato esté funcionando.
- ◆ No suelte el aparato hasta que el hilo de corte se haya parado totalmente.
- ◆ Use únicamente el tipo adecuado de hilo de corte. Nunca use hilos de corte metálicos ni sedal de pesca.
- ◆ Tenga cuidado de no tocar la hoja ribeteadora.
- ◆ Tenga cuidado para mantener el cable de red alejado del hilo de corte. No pierda de vista el cable en ningún momento.
- ◆ Mantenga en todo momento las manos y los pies alejados del hilo de corte, especialmente al poner en marcha el motor.
- ◆ Antes de utilizar el aparato y después de un golpe, compruebe si presenta indicios de desgaste o daños y haga que lo reparen, si fuera necesario.
- ◆ Nunca maneje el aparato con las protecciones dañadas o sin que estén colocadas en su posición.
- ◆ Tenga cuidado de las posibles lesiones debidas a dispositivos montados para recortar la longitud del hilo. Después de colocar un nuevo hilo de corte, siempre ponga la máquina en su posición de trabajo normal antes de encenderla.
- ◆ Compruebe siempre que las ranuras de ventilación estén libres de residuos.
- ◆ No utilice el recortabordes si los cables están desgastados o dañados.
- ◆ Mantenga los cables alargadores lejos de los elementos de corte.

## Etiquetas sobre el aparato

Encontrará los siguientes símbolos de advertencia en el aparato:



Antes de iniciar las operaciones, lea el manual.



Lleve gafas de cristal inastillable o protectoras cuando utilice el aparato.



Mantenga a las personas y animales a una distancia mínima de 6 m del área de corte.



No exponga el aparato a la lluvia o a una humedad elevada.

## Seguridad eléctrica



Este aparato lleva un doble aislamiento; por lo tanto no requiere una toma a tierra. Compruebe siempre que el suministro eléctrico corresponda con la tensión indicada en la placa de características.

- ◆ Si el cable eléctrico está estropeado, debe ser sustituido por el fabricante o un servicio técnico autorizado de Black & Decker con el fin de evitar accidentes.

## Características

Este aparato incluye alguna o todas las características siguientes.

1. Interruptor de encendido/apagado
2. Empuñadura
3. Sujeción del cable
4. Toma de corriente
5. Mango secundario
6. Botón de ajuste
7. Tubo
8. Protección
9. Hoja ribeteadora
10. Alojamiento de la bobina
11. Hilo de corte
12. Guía para rebordear

## Montaje

**¡Atención!** Antes de proceder al montaje, compruebe que el aparato esté apagado y desenchufado.

### Montaje de la protección (fig. A)

- ◆ Retire los tornillos hexagonales (13) del cabezal (14).
- ◆ Coloque la protección (8) en el aparato tal y como se indica.
- ◆ Presione firmemente sobre la protección hasta que encaje en su sitio.

- ◆ Sujete la protección con los tornillos hexagonales.
- ◆ Apriete los tornillos hexagonales usando la llave hexagonal (15) suministrada.

**¡Atención!** Nunca utilice el aparato sin la protección debidamente montada.

### Desbloqueo del hilo de corte

Durante su transporte, el hilo de corte está adherido al alojamiento de la bobina.

- ◆ Retire la cinta que sujeta la línea de corte (11) a la carcasa del carrete (10).

### Conexión del aparato a la red eléctrica

- ◆ Conecte el enchufe hembra de un cable alargador adecuado a la toma de corriente (4).
- ◆ Enrolle el cable por la sujeción de cable (3).
- ◆ Inserte el enchufe eléctrico en una toma de red.

**¡Atención!** El cable alargador debe ser adecuado para uso en exteriores.

### Riesgos residuales.

El uso de esta herramienta puede producir riesgos residuales adicionales no incluidos en las advertencias de seguridad adjuntas. Estos riesgos se pueden generar por un uso incorrecto, demasiado prolongado, etc.

El cumplimiento de las normas de seguridad correspondientes y el uso de dispositivos de seguridad no evitan ciertos riesgos residuales. Estos riesgos incluyen:

- ◆ **Lesiones producidas por el contacto con piezas móviles o giratorias.**
- ◆ **Lesiones producidas al cambiar cualquier pieza, cuchilla o accesorio.**
- ◆ **Lesiones producidas al usar una herramienta por un tiempo demasiado prolongado. Si utiliza una herramienta durante períodos de tiempo demasiado prolongados, asegúrese de realizar pausas con frecuencia.**
- ◆ **Discapacidad auditiva.**
- ◆ **Riesgos para la salud producidos al respirar el polvo que se genera al usar la herramienta (por ejemplo: en los trabajos con madera, especialmente de roble, haya y tableros de densidad mediana).**

### Uso

**¡Atención!** Deje que la herramienta funcione a su ritmo. No lo sobrecargue.

### Ajuste del aparato en modo de recortabordes o ribeteado (fig. B - D)

El aparato puede usarse en modo de recorte de bordes, como se indica en la fig. B, o en modo ribeteador, para recortar el césped que sobresale de bordes y parterres, como se indica en la fig. C.

### Modo de recortabordes (fig. B & D)

Para recortar, el cabezal del recortabordes debe estar en la posición indicada en la fig. B. Si no lo está:

- ◆ Presione el botón de ajuste (6).
- ◆ Gire el tubo (7) mientras suelta el botón.
- ◆ Cuando el cabezal esté en posición, el botón se bloqueará en su posición.

Nota: El tubo girará únicamente en una dirección.

### Modo de ribeteado (fig. C & D)

Para ribetear, el cabezal del recortabordes debe estar en la posición indicada en la fig. C. Si no lo está:

- ◆ Presione el botón de ajuste (6).
- ◆ Gire el tubo (7) mientras suelta el botón.
- ◆ Cuando el cabezal esté en posición, el botón se bloqueará en su posición.

Nota: El tubo girará únicamente en una dirección.

### Ajuste de la altura del aparato (fig. D)

Este aparato tiene un mecanismo telescópico, para ajustarlo a una altura que le resulte cómoda. Hay tres ajustes de altura. Para ajustar la altura, proceda de la forma siguiente:

- ◆ Presione el botón de ajuste (6).
- ◆ Suavemente, saque el tubo (7) del alojamiento del motor (16) hasta alcanzar la altura deseada mientras suelta el botón.
- ◆ Cuando el tubo esté en posición, el botón se bloqueará.

### Encendido y apagado

- ◆ Para encender el aparato, presione la palanca de gatillo (1).
- ◆ Para apagar el aparato, suelte la palanca de gatillo.

**¡Atención!** Nunca intente bloquear la palanca de gatillo en la posición de encendido.

### Consejos para un uso óptimo

#### Generalidades

- ◆ Para lograr un corte óptimo, corte únicamente el césped que esté seco.

#### Recorte de bordes

- ◆ Sujete el aparato como se indica en la fig. B.
- ◆ Bascule suavemente el recortabordes de un lado a otro.
- ◆ Cuando corte un césped alto, realice el trabajo por etapas empezando por la parte superior. Haga cortes pequeños.
- ◆ Mantenga el aparato lejos de objetos duros y plantas delicadas.
- ◆ Si el aparato empieza a funcionar lentamente, reduzca la carga.

#### Ribeteado

Los mejores resultados de corte se consiguen en bordes de profundidad superior a 50 mm.

- ◆ No use el aparato para crear bordes. Para crear bordes, use una azada ribeteadora.
- ◆ Guíe el aparato como se indica en la fig. C.
- ◆ Para un corte más apurado, incline ligeramente el aparato.

## Colocación de una nueva bobina de hilo de corte (fig. E & G)

Su distribuidor Black & Decker dispone de bobinas de repuesto de hilo de corte (nº de cat. A6495).

- ◆ Mantenga presionadas las pestañas (17) y retire la tapa de la bobina (18) del alojamiento (10).
- ◆ Retire la bobina vacía (19) de su alojamiento.
- ◆ Retire la suciedad o residuos de la tapa de la bobina y de su alojamiento.
- ◆ Coloque la nueva bobina en el asiento del alojamiento de la bobina con los hilos aparcados en las ranuras (23) (fig. F).
- ◆ Inserte los extremos del hilo por los ojales adecuados (20) en el alojamiento (10). Tire del hilo flojo hasta que salga de las ranuras de aparcamiento (23) (fig. G).
- ◆ Alinee las pestañas (17) de la tapa de la bobina con los orificios (21) del alojamiento.
- ◆ Ponga la tapa (18) sobre el alojamiento (10) hasta que encaje firmemente en su posición.

**Nota:** Asegúrese de que la tapa esté colocada, escuche dos clics audibles para garantizar que ambas pestañas (17) queden correctamente situadas.

**¡Atención!** Si los hilos de corte sobresalen más allá de la hoja de corte (9), córtelos de forma que lleguen justo hasta la hoja de corte.

## Enrollado de un nuevo hilo de corte en una bobina vacía (fig. H - J)

Se puede enrollar hilo de corte nuevo en una bobina vacía. Su distribuidor Black & Decker dispone de paquetes de repuesto de hilo de corte (nº de cat. A6171).

- ◆ Retire la bobina vacía del aparato como se ha descrito anteriormente.
- ◆ Extraiga el hilo de corte restante de la bobina de hilo.
- ◆ En primer lugar, enrolle el nuevo hilo en la parte superior de la bobina:
  - Introduzca unos 2 cm de hilo de corte en una de las rendijas de la sección superior de la bobina, tal y como se indica.
  - Enrolle el hilo de corte en la bobina, siguiendo la dirección de la flecha. Asegúrese de enrollar el hilo de corte cuidadosamente, formando capas. Evite que el hilo de corte se cruce consigo mismo en una capa al ser enrollado en la bobina.
  - Cuando la línea de corte enrollada alcance las ranuras (22), córtela.

- Sujete provisionalmente el hilo en las ranuras (23) situadas a uno de los lados de la bobina como se indica.
- ◆ Repita el procedimiento anterior para el segundo hilo de corte situado en la sección inferior de la bobina. Aparque el hilo en las ranuras (23) que están sin ocupar.
- ◆ Proceda como se ha descrito anteriormente para colocar la bobina en el aparato. No olvide soltar el hilo de corte de las ranuras de sujeción provisional (23).

**¡Atención!** Use únicamente el tipo adecuado de hilo de corte Black & Decker. Asegúrese de que haya hilo de corte en ambas secciones de la bobina.

## Localización de averías

Si su herramienta no funciona adecuadamente, siga estas instrucciones. Si esto no resuelve el problema, póngase en contacto con el servicio de reparaciones de Black & Decker de su zona.

**¡Atención!** Antes de cualquier operación, desenchufe la herramienta.

## El aparato funciona lentamente

- ◆ Compruebe que el alojamiento de la bobina pueda girar libremente. Límpielo con cuidado si fuera necesario.
- ◆ Compruebe que el hilo de corte no sobresalga más de 11 cm del alojamiento de la bobina. Si así fuera, corte lo que sobre para que llegue justo hasta la hoja ribeteadora.

## No funciona el avance automático del hilo de corte.

- ◆ Mantenga presionadas las pestañas y retire la tapa de la bobina del alojamiento.
  - ◆ Saque el hilo de corte hasta que sobresalga 11 cm del alojamiento. Si no queda suficiente hilo de corte en la bobina, instale uno nuevo como se ha indicado anteriormente.
  - ◆ Alinee las pestañas de la tapa de la bobina con los cortes del alojamiento.
  - ◆ Ponga la tapa sobre el alojamiento hasta que encaje firmemente en su posición.
  - ◆ Si el hilo de corte sobresale más allá de la hoja ribeteadora, córtelo para que llegue justo hasta la hoja.
- Si el avance automático del hilo de corte sigue sin funcionar o se ha atascado la bobina, intente las siguientes acciones:
- ◆ Limpie con cuidado la tapa y el alojamiento de la bobina.
  - ◆ Retire la bobina y compruebe si la palanca se mueve libremente.
  - ◆ Retire la bobina y desenrolle el hilo de corte, luego enróllelo nuevamente con cuidado como se ha descrito antes. Sustituya la bobina como se indica.

## Mantenimiento

El aparato/la herramienta Black & Decker con cable/sin cable se ha diseñado para funcionar durante un largo periodo de tiempo con un mantenimiento mínimo. El funcionamiento satisfactorio continuado depende de un cuidado apropiado y una limpieza periódica de la herramienta.

**¡Atención!** Antes de realizar tareas de mantenimiento en herramientas eléctricas con/sin cable:

- ◆ Apague y desenchufe el aparato/la herramienta.
- ◆ O apague y retire la batería del aparato/la herramienta si el aparato/la herramienta tiene una batería aparte.
- ◆ O agote totalmente la batería si está integrada y, a continuación, apague.
- ◆ Desenchufe el cargador antes de limpiarlo. Su cargador no requiere ningún mantenimiento aparte de una limpieza periódica.
- ◆ Limpie periódicamente las ranuras de ventilación del aparato/la herramienta/el cargador con un cepillo suave o un paño seco.
- ◆ Limpie periódicamente la carcasa del motor con un paño húmedo. No utilice ninguna sustancia limpiadora abrasiva o que contenga disolventes.
- ◆ Abra periódicamente el portabrocas y golpéelo suavemente para extraer el polvo del interior (si está equipado).

## Protección del medio ambiente



Separación de desechos. Este producto no debe desecharse con la basura doméstica normal.

Si llega el momento de reemplazar su producto Black & Decker o éste ha dejado de tener utilidad para usted, no lo deseche con la basura doméstica normal. Asegúrese de que este producto se deseche por separado.



La separación de desechos de productos usados y embalajes permite que los materiales puedan reciclarse y reutilizarse. La reutilización de materiales reciclados ayuda a evitar la contaminación medioambiental y reduce la demanda de materias primas.

La normativa local puede prever la separación de desechos de productos eléctricos de uso doméstico en centros municipales de recogida de desechos o a través del distribuidor cuando adquiere un nuevo producto.

Black & Decker proporciona facilidades para la recogida y el reciclado de los productos Black & Decker que hayan llegado al final de su vida útil. Para hacer uso de este servicio, devuelva su producto a cualquier servicio técnico autorizado, que lo recogerá en nuestro nombre.

Pueden consultar la dirección de su servicio técnico más cercano poniéndose en contacto con la oficina local de Black & Decker en la dirección que se indica en este manual. Como alternativa, puede consultar en Internet la lista de servicios técnicos autorizados e información completa de nuestros servicios de posventa y contactos en la siguiente dirección: [www.2helpU.com](http://www.2helpU.com)

### Características técnicas

|                     |                   | GL701<br>TYPE 3-5 | GL710<br>TYPE 3-5 | GL716<br>TYPE 3-5 |
|---------------------|-------------------|-------------------|-------------------|-------------------|
| Voltaje             | $V_{AC}$          | 230               | 230               | 2300              |
| Potencia absorbida  | W                 | 550               | 520               | 580               |
| Velocidad sin carga | $\text{min}^{-1}$ | 6.500             | 6.500             | 6.500             |
| Peso                | kg                | 3,2               | 3,2               | 3,2               |

|                     |                   | GL720<br>TYPE 3-5 | GL741<br>TYPE 3-5 |
|---------------------|-------------------|-------------------|-------------------|
| Voltaje             | $V_{AC}$          | 230               | 230               |
| Potencia absorbida  | W                 | 600               | 700               |
| Velocidad sin carga | $\text{min}^{-1}$ | 6.500             | 6.500             |
| Peso                | kg                | 3,2               | 3,2               |

Valor de la vibración ponderada en mano/brazo según EN 786: = 7,5  $\text{m/s}^2$  , incertidumbre (K) = 1.5  $\text{m/s}^2$

## Declaración de conformidad CE

DIRECTIVA SOBRE MÁQUINAS  
DIRECTIVA SOBRE EMISIONES SONORAS EN EL ENTORNO



GL701/GL710/GL716/GL720/GL741

Black & Decker declara que los productos descritos en "datos técnicos" son conformes con:  
98/37/CE (hasta el 28 de diciembre de 2009), 2006/42/CE (a partir del 29 de diciembre de 2009), EN 60335-1, EN 60335-2-91

2000/14/CE, Recortabordes,  $L \leq 50$  cm, Anexo VIII  
KEMA Quality B.V., Utrechtseweg 310, 6802 ED Arnhem, Países Bajos  
Notified Body ID No.: 0344

Nivel de potencia acústica de conformidad con 2000/14/CE (Artículo 12, Anexo III,  $L \leq 50$  cm):  
 $L_{WA}$  (potencia acústica medida) 95 dB(A)  
incertidumbre (K) = 3 dB(A)  
 $L_{WA}$  (potencia acústica garantizada) 96 dB(A)  
incertidumbre (K) = 3 dB(A)

Estos productos también son conformes con la directiva 2004/108/CE. Si desea información adicional, contacte con Black & Decker en la siguiente dirección o consulte el dorso de este manual.

El abajofirmante es responsable de la compilación del archivo técnico y hace esta declaración en nombre de Black & Decker.

Kevin Hewitt  
Vicepresidente de ingeniería global  
Black & Decker Europe, 210 Bath Road, Slough,  
Berkshire, SL1 3YD  
Reino Unido  
1-10-2009

Número de solicitud de patente en el Reino Unido: 059745.6

Números de solicitud de diseño en la Unión Europea:  
340385-0001 & 339544-0001

## Garantía

Black & Decker confía plenamente en la calidad de sus productos y ofrece una garantía extraordinaria. Esta declaración de garantía es una añadida, y en ningún caso un perjuicio para sus derechos estatutarios. La garantía es válida dentro de los territorios de los Estados Miembros de la Unión Europea y de los de la Zona Europea de Libre Comercio.

Si un producto Black & Decker resultará defectuoso debido a materiales o mano de obra defectuosos o a la falta de conformidad, Black & Decker garantiza, dentro de los 24 meses de la fecha de compra, la sustitución de las piezas defectuosas, la reparación de los productos sujetos a un desgaste y rotura razonables o la sustitución de tales productos para garantizar al cliente el mínimo de inconvenientes, a menos que:

- ◆ El producto haya sido utilizado con propósitos comerciales, profesionales o de alquiler;
- ◆ El producto haya sido sometido a un uso inadecuado o negligente;
- ◆ El producto haya sufrido daños causados por objetos o sustancias extrañas o accidentes;
- ◆ Se hayan realizado reparaciones por parte de personas que no sean los servicios de reparación autorizados o personal de servicios de Black & Decker.

Para reclamar en garantía, será necesario que presente la prueba de compra al vendedor o al servicio técnico de reparaciones autorizado. Pueden consultar la dirección de su servicio técnico más cercano poniéndose en contacto con la oficina local de Black & Decker en la dirección que se indica en este manual. Como alternativa, se puede consultar en Internet, en la dirección siguiente, la lista de servicios técnicos autorizados e información completa de nuestros servicios de postventa y contactos: [www.2helpU.com](http://www.2helpU.com)

Visite nuestro sitio web [www.blackanddecker.eu](http://www.blackanddecker.eu) para registrar su nuevo producto Black & Decker y mantenerse al día sobre nuestros productos y ofertas especiales. Encontrará información adicional sobre la marca Black & Decker y nuestra gama de productos en [www.blackanddecker.eu](http://www.blackanddecker.eu)



## Utilização

O aparador da Black & Decker foi projectado para aparar e acertar orlas, bem como cortar relva em espaços limitados. Este aparelho destina-se exclusivamente ao uso doméstico.

## Instruções de segurança

**Advertência!** Ao utilizar aparelhos eléctricos, é preciso seguir sempre as precauções básicas para a segurança, incluindo as detalhadas a seguir, para diminuir os riscos de incêndio, choque eléctrico, ferimentos pessoais e danos materiais.

- ◆ Leia atentamente este manual antes de utilizar o aparelho.
- ◆ Neste manual indicam-se as utilizações previstas para o aparelho. O uso de qualquer acessório, extensão ou do próprio aparelho em situações diferentes das recomendadas neste manual de instruções pode representar risco de ferimentos.
- ◆ Guarde este manual para futura consulta.

## Utilização do aparelho

Tenha sempre cuidado ao utilizar o aparelho.

- ◆ Utilize óculos de protecção ou luvas.
- ◆ Crianças ou qualquer pessoa que não tenha lido este manual de instruções ou não esteja familiarizada com o aparelho não o deverá utilizar.
- ◆ Não permita que crianças ou animais cheguem perto da área de trabalho ou toquem no aparelho ou no cabo de alimentação.
- ◆ A supervisão deve ser apertada quando o aparelho estiver a ser utilizado perto de crianças.
- ◆ Este aparelho não se destina a ser utilizado por jovens nem por pessoas enfermas sem supervisão.
- ◆ Este aparelho não deve ser utilizado como um brinquedo.
- ◆ Utilize o aparelho apenas durante o dia ou com boa iluminação artificial.
- ◆ Utilize-o apenas num local seco. Não permita que o aparelho fique molhado.
- ◆ Não permita que o aparelho seja imerso em água.
- ◆ Não abra o corpo do aparelho. Não existem quaisquer peças passíveis de manutenção por parte do utilizador no seu interior.
- ◆ Não utilize o aparelho em áreas com risco de explosão, nas quais se encontrem líquidos, gases ou pós inflamáveis.
- ◆ Para reduzir o risco de danos em fichas ou cabos, nunca puxe pelo cabo para remover a ficha da tomada.

## Segurança de outras pessoas

- ◆ Este aparelho não se destina a ser utilizado por pessoas (incluindo crianças) com reduzidas capacidades físicas, sensoriais ou mentais ou falta de experiência e conhecimentos, a menos que tenham recebido instruções ou sejam supervisionadas relativamente à utilização do aparelho por uma pessoa responsável pela sua segurança.

- ◆ As crianças deverão ser vigiadas para que não brinquem com o aparelho.

## Após a utilização

- ◆ Quando não estiver a ser utilizado, o aparelho deve ser armazenado num local seco, bem ventilado, fora do alcance de crianças.
- ◆ Guarde o aparelho fora do alcance das crianças.
- ◆ Sempre que o aparelho for armazenado ou transportado num veículo, deverá ser colocado na mala ou restringido, para evitar deslocações após uma alteração repentina na velocidade ou direcção.

## Inspecção e reparação

- ◆ Antes de utilizar o aparelho, verifique se existem danos ou defeitos nas peças. Verifique se existem peças partidas ou quaisquer outros problemas que possam afectar o funcionamento do aparelho.
- ◆ Não utilize o aparelho se houver alguma peça defeituosa ou danificada.
- ◆ Qualquer peça defeituosa ou danificada deverá ser reparada ou substituída por um técnico autorizado.
- ◆ Nunca tente remover nem substituir peças por outras que não as especificadas neste manual.

## Utilização de extensões

Utilize sempre um cabo de extensão aprovado e adequado à potência de entrada deste aparelho (consulte os dados técnicos). O cabo de extensão deve ser adequado para uso em ambientes externos e deve estar correctamente assinalado. Até 30 m, pode ser utilizado um cabo de extensão H05VV-F de 1,5 mm<sup>2</sup> sem afectar o desempenho do produto. Antes de utilizar, verifique se há sinais de danos, envelhecimento e desgaste no cabo de extensão. Substitua-o se estiver danificado ou apresentar defeitos. Caso utilize uma bobina, desenrole o cabo todo.

## Instruções adicionais de segurança para aparadores de relva

**Advertência!** Os elementos de corte continuam a rodar depois do motor ser desligado.

- ◆ Familiarize-se com os controlos e com a utilização correcta do aparelho.
- ◆ Antes de iniciar a utilização, verifique se o cabo de alimentação e extensão apresentam sinais de danos, envelhecimento e desgaste. Caso um cabo fique danificado durante a utilização, desligue imediatamente o cabo da rede eléctrica. **NÃO TOQUE NO CABO ANTES DE DESLIGAR A CORRENTE.**
- ◆ Não utilize o aparelho se os cabos estiverem gastos ou danificados.
- ◆ Use sapatos ou botas robustos para proteger os pés.
- ◆ Use calças compridas para proteger as pernas.

- ◆ Antes de utilizar o aparelho, verifique se o percurso de corte está livre de gravetos, pedras, arame e quaisquer outros obstáculos.
- ◆ Utilize o aparelho apenas na posição vertical, com o fio de nylon próximo ao solo. Nunca o ligue em qualquer outra posição.
- ◆ Mova-se devagar ao utilizar o aparelho. Lembre-se que a relva recém-cortada é húmida e escorregadia.
- ◆ Não trabalhe em declives acentuados. Trabalhe transversalmente, nunca em direcção ascendente e descendente.
- ◆ Nunca atravesse caminhos ou estradas com cascalho com o aparelho em funcionamento.
- ◆ Nunca toque no fio de nylon durante o funcionamento.
- ◆ Não coloque o aparelho em posição horizontal a menos que o fio de nylon esteja completamente parado.
- ◆ Utilize apenas o tipo adequado de fio de nylon. Nunca utilize fio de metal ou linha de pesca.
- ◆ Cuidado para não tocar na lâmina limitadora do fio de nylon.
- ◆ Mantenha o cabo de alimentação eléctrica afastado do fio de nylon. Esteja sempre atento ao posicionamento do cabo.
- ◆ Mantenha sempre as mãos e os pés afastados do fio de nylon, especialmente aquando da ligação do motor.
- ◆ Antes de utilizar o aparelho e após qualquer impacto, verifique se apresenta sinais de desgaste ou danos e repare-o se necessário.
- ◆ Nunca use o aparelho com resguardos danificados ou sem que os mesmos estejam devidamente colocados.
- ◆ Cuidado para não se ferir com qualquer dispositivo aplicado para limitação do comprimento do fio. Após estender o fio de nylon novo, coloque sempre a máquina na respectiva posição normal de funcionamento antes de ligá-la.
- ◆ Mantenha sempre as ranhuras de ventilação limpas.
- ◆ Não utilize o aparador (aparador de orlas), se os cabos estiverem gastos ou danificados.
- ◆ Mantenha os cabos de extensão afastados dos elementos de corte.

## Etiquetas no aparelho

Os símbolos de advertência a seguir encontram-se no aparelho:



Leia o manual antes de utilizar o produto.



Utilize óculos de segurança durante o funcionamento deste aparelho.



Mantenha as pessoas a uma distância mínima de 6 m da área de corte.



Não exponha o aparelho à chuva nem humidade excessiva.

## Segurança eléctrica



Este aparelho tem duplo isolamento pelo que não necessita de fio de terra. Certifique-se sempre de que o fornecimento de energia corresponde à tensão indicada na placa de identificação.

- ◆ Se o cabo de alimentação estiver danificado, deverá ser substituído pelo fabricante ou por um Centro de Assistência autorizado pela Black & Decker, de modo a evitar riscos.

## Características

Este aparelho inclui algumas ou todas as seguintes funções.

1. Interruptor de ligar/desligar
2. Pega
3. Retentor do cabo
4. Tomada de alimentação
5. Punho secundário
6. Botão de ajuste
7. Tubo
8. Resguardo
9. Lâmina limitadora do fio de nylon
10. Compartimento da bobina
11. Fio de nylon
12. Guia de acerto de orlas

## Montagem

**Advertência!** Antes da montagem, certifique-se de que o aparelho está desligado e desconectado da rede eléctrica.

### Instalação do resguardo (fig. A)

- ◆ Remova os parafusos hexagonais (13) da cabeça (14).
- ◆ Coloque o resguardo (8) no aparelho, conforme mostrado.
- ◆ Carregue firmemente no resguardo até que encaixe no lugar.
- ◆ Fixe o resguardo com os parafusos hexagonais.
- ◆ Aperte os parafusos hexagonais utilizando a chave hexagonal (15) fornecida.

**Advertência!** Nunca utilize o aparelho se o resguardo não estiver bem instalado.

### Remoção do fio de nylon

Durante o transporte, o fio de nylon é fixo ao compartimento da bobina.

- ◆ Remova a fita que segura o fio de nylon (11) ao compartimento da bobina (10).

### Ligação do aparelho à energia eléctrica

- ◆ Ligue a ficha fêmea de um cabo de extensão adequado à tomada de alimentação (4).
- ◆ Passe o cabo através do retentor do mesmo (3).
- ◆ Ligue a ficha à tomada de parede.

**Advertência!** O cabo de extensão deve ser adequado para uso em ambientes externos.

## Riscos residuais.

Podem surgir riscos residuais adicionais durante a utilização da ferramenta que poderão não constar nos avisos de segurança incluídos. Estes riscos podem resultar de má utilização, uso prolongado, etc.

Mesmo com a aplicação dos regulamentos de segurança relevantes e com a implementação de dispositivos de segurança, alguns riscos residuais não podem ser evitados. Incluem:

- ◆ ferimentos causados pelo contacto com peças em rotação/movimento.
- ◆ ferimentos causados durante a troca de peças, lâminas ou acessórios.
- ◆ ferimentos causados pela utilização prolongada de uma ferramenta. Quando utilizar uma ferramenta por períodos prolongados, faça intervalos regulares.
- ◆ diminuição da audição.
- ◆ problemas de saúde causados pela inalação de poeiras resultantes da utilização da ferramenta (exemplo: trabalhos em madeira, especialmente carvalho, faia e MDF.)

## Utilização

**Advertência!** Deixe que a ferramenta funcione à vontade. Não o sobrecarregue.

## Ajuste do aparelho no modo de aparar ou acerto de orlas (fig. B - D)

É possível utilizar o aparelho no modo de aparar conforme ilustrado na fig. B ou no modo de acerto de orlas para aparar excesso de relva ao longo de orlas e canteiros de flores, conforme ilustrado na fig. C.

### Modo de aparar (fig. B & D)

Para aparar, a cabeça do aparador deverá estar na posição demonstrada na fig. B. Caso contrário:

- ◆ Prima o botão de ajuste (6).
- ◆ Rode o tubo (7), enquanto solta o botão.
- ◆ Quando a cabeça estiver na posição desejada, o botão bloqueia nessa posição.

Nota: O tubo só roda numa direcção.

### Modo de acerto de orlas (fig. C & D)

Para acertar orlas, a cabeça do aparador deverá estar na posição demonstrada na fig. C. Caso contrário:

- ◆ Prima o botão de ajuste (6).
- ◆ Rode o tubo (7), enquanto solta o botão.
- ◆ Quando a cabeça estiver na posição desejada, o botão bloqueia nessa posição.

Nota: O tubo só roda numa direcção.

## Ajuste da altura do aparelho (fig. D)

Este aparelho possui corpo telescópico, o que permite um ajuste de altura adequado. Existem três definições de altura possíveis. Para ajustar a altura, proceda da seguinte forma:

- ◆ Prima o botão de ajuste (6).
- ◆ Puxe suavemente o tubo (7) para fora do compartimento do motor (16) até à altura desejada, enquanto solta o botão.
- ◆ Quando o tubo estiver na posição desejada, o botão bloqueia nessa posição.

## Como ligar e desligar a ferramenta

- ◆ Para ligar o aparelho, aperte a manopla com gatilho (1).
- ◆ Para desligar o aparelho, solte a manopla com gatilho.

**Advertência!** Nunca tente travar a manopla com gatilho na posição ligada.

## Sugestões para uma melhor utilização

### Informações gerais

- ◆ Para obter óptimos resultados, corte apenas relva seca.

### Apara

- ◆ Segure o aparelho conforme mostrado na fig. B.
- ◆ Incline o aparador com cuidado de um lado para outro.
- ◆ Ao cortar relva longa, trabalhe em etapas, partindo do topo. Efectue cortes pequenos.
- ◆ Mantenha o aparelho afastado de objectos duros e plantas delicadas.
- ◆ Se o aparelho começar a funcionar lentamente, reduza a carga.

### Acerto de orlas

É possível alcançar resultados de corte excelentes em orlas com mais de 50 mm de profundidade.

- ◆ Não utilize o aparelho para criar orlas. Para tal, utilize uma pá de acerto de orlas.
- ◆ Guie o aparelho conforme mostrado na fig. C.
- ◆ Para efectuar um corte mais aproximado, incline levemente o aparelho.

## Instalação de uma nova bobina de fio de nylon (fig. E & G)

É possível obter bobinas de reposição de fio de nylon junto do seu distribuidor Black & Decker (ref. nº A6495).

- ◆ Mantenha as linguetas (17) premidas e remova a tampa da bobina (18) do compartimento (10).
- ◆ Retire a bobina (19) vazia do respectivo compartimento.
- ◆ Retire toda a sujidade e relva da tampa e do compartimento da bobina.
- ◆ Coloque a nova bobina no rebordo no compartimento da bobina com as linhas colocadas nas ranhuras (23) (fig. F).

- ◆ Insira as extremidades da linha através dos devidos olhais (20) no compartimento (10). Puxe a linha frouxa até se projectar das ranhuras (23) (fig. G).
- ◆ Alinhe as linguetas (17) da tampa da bobina com as lâminas (21) do compartimento.
- ◆ Empurre a tampa (18) na direcção do compartimento (10) até que encaixe firmemente em posição.

**Nota:** Certifique-se de que a tampa está posicionada, esteja atento para ouvir dois estalidos para se assegurar de que ambas as linguetas (17) estão devidamente localizadas.

**Advertência!** Se os fios de nylon se projectarem para além da lâmina limitadora (9), corte-os de forma que apenas a alcancem.

## Colocação de fio novo numa bobina vazia (fig. H - J)

É possível colocar fio de nylon novo numa bobina vazia.

Poderá obter pacotes de reposição de fio de nylon junto do seu distribuidor Black & Decker (ref. n.º A6171).

- ◆ Retire a bobina vazia do aparelho conforme descrito acima.
- ◆ Retire completamente o fio de nylon da bobina.
- ◆ Enrole o fio novo na extremidade superior da bobina:
  - Coloque 2 cm de fio numa das ranhuras, na parte superior da bobina, conforme mostrado.
  - Enrole-o na mesma, na direcção da seta. Assegure-se de que enrola devidamente o fio e em camadas. Não o cruze.
  - Quando o fio enrolado atingir os recessos (22), corte-o.
  - Deixe o fio temporariamente nas ranhuras (23), num dos lados da bobina conforme demonstrado.
- ◆ Repita o procedimento descrito acima para o segundo fio de nylon, situado na parte inferior da bobina. Deixe o fio nas ranhuras não utilizadas (23).
- ◆ Proceda da forma descrita acima para instalar a bobina no aparelho. Não esqueça de soltar o fio de nylon das ranhuras (23).

**Advertência!** Utilize apenas o tipo adequado de fio de nylon da Black & Decker. Assegure-se de que há fio de nylon nas duas secções da bobina.

## Resolução de problemas

Se a sua ferramenta não estiver a funcionar adequadamente, siga as instruções abaixo. Se não solucionar o problema, contacte um centro de assistência técnica da Black & Decker.

**Advertência!** Antes de continuar, desligue a ferramenta da tomada.

### Funcionamento lento do aparelho

- ◆ Verifique se o compartimento da bobina gira livremente. Limpe-o com cuidado, se necessário.

- ◆ Verifique se o fio de nylon não se projecta mais de 11 cm do compartimento da bobina. Neste caso, corte-o de forma que apenas alcance a lâmina limitadora.

### A alimentação automática de fio não funciona

- ◆ Mantenha as linguetas premidas e retire a tampa da bobina do compartimento.
- ◆ Puxe o fio de nylon até se projecte 11 cm do compartimento. Se não houver fio suficiente na bobina, instale uma nova bobina de fio de nylon conforme as instruções acima.
- ◆ Alinhe as linguetas da tampa da bobina com os recortes do compartimento.
- ◆ Empurre a tampa na direcção do compartimento até que encaixe firmemente em posição.
- ◆ Se o fio se projectar para além da lâmina limitadora, corte-o de forma que apenas a alcance.

Se a alimentação automática de fio ainda não funcionar ou a bobina estiver encravada, tente as sugestões a seguir:

- ◆ Limpe com cuidado a tampa e o compartimento da bobina.
- ◆ Retire a bobina e verifique se a alavanca se move livremente.
- ◆ Retire a bobina, desenrole o fio de nylon e enrole-o novamente de forma ordenada, conforme descrito acima. Recoloque-a conforme as instruções.

## Manutenção

O aparelho/ferramenta com fios/sem fios da Black & Decker foi desenvolvido/a para funcionar por um longo período de tempo com um mínimo de manutenção. O funcionamento contínuo e satisfatório depende de limpeza regular e de manutenção adequada.

**Advertência!** Antes de realizar qualquer tipo de manutenção em ferramentas eléctricas com fios/sem fios:

- ◆ Desligue o aparelho/ferramenta e retire a ficha da tomada.
- ◆ Ou desligue e retire a bateria do aparelho/ferramenta, caso esta seja fornecida separadamente.
- ◆ Ou descarregue a bateria por completo, caso seja integrada e depois desligue o aparelho/ferramenta.
- ◆ Desligue a ficha do carregador antes de o limpar. O seu carregador não requer qualquer manutenção para além de uma limpeza regular.
- ◆ Limpe regularmente as fendas de ventilação na ferramenta/aparelho/carregador utilizando uma escova macia ou pano seco.
- ◆ Limpe regularmente o compartimento do motor utilizando um pano húmido. Não utilize nenhum detergente abrasivo nem à base de solvente.
- ◆ Abra regularmente o mandril e bata no mesmo para remover qualquer poeira do interior (se equipado).

## Protecção do meio ambiente



Recolha em separado. Não deve deitar este produto fora juntamente com o lixo doméstico normal.

Caso chegue o momento em que um dos seus produtos Black & Decker precise de ser substituído ou decida desfazer-se do mesmo, não o deite fora juntamente com o lixo doméstico. Torne este produto disponível para uma recolha em separado.



A recolha em separado de produtos e embalagens utilizados permite que os materiais sejam reciclados e reutilizados. A reutilização de materiais reciclados ajuda a evitar a poluição ambiental e a reduzir a procura de matérias-primas.

Os regulamentos locais poderão providenciar a recolha em separado de produtos eléctricos junto das casas, em lixeiras municipais ou junto dos fornecedores ao adquirir um novo produto.

A Black & Decker oferece um serviço de recolha e reciclagem de produtos Black & Decker que tenha atingido o fim das suas vidas úteis.

Para tirar proveito deste serviço, devolva seu produto a qualquer agente de reparação autorizado, que se encarregará de recolher o equipamento em nosso nome.

Para verificar a localização do agente de reparação mais próximo de si, contacte o escritório local da Black & Decker no endereço indicado neste manual. Se preferir, consulte a lista de agentes autorizados da Black & Decker e os dados completos dos nossos serviços de atendimento pós-venda na Internet no endereço: [www.2helpU.com](http://www.2helpU.com)

### Dados técnicos

|                      |                   | GL701    | GL710    | GL716    |
|----------------------|-------------------|----------|----------|----------|
|                      |                   | TYPE 3-5 | TYPE 3-5 | TYPE 3-5 |
| Voltagem             | V <sub>AC</sub>   | 230      | 230      | 230      |
| Potência             | W                 | 550      | 520      | 580      |
| Velocidade sem carga | min <sup>-1</sup> | 6.500    | 6.500    | 6.500    |
| Peso                 | kg                | 3,2      | 3,2      | 3,2      |

### Dados técnicos

|                      |                   | GL720    | GL741    |
|----------------------|-------------------|----------|----------|
|                      |                   | TYPE 3-5 | TYPE 3-5 |
| Voltagem             | V <sub>AC</sub>   | 230      | 230      |
| Potência             | W                 | 600      | 700      |
| Velocidade sem carga | min <sup>-1</sup> | 6.500    | 6.500    |
| Peso                 | kg                | 3,2      | 3,2      |

Valor de vibração calculado na mão/braço de acordo com a norma EN 786: = 7,5 m/s<sup>2</sup>, imprecisão (K) = 1.5 m/s<sup>2</sup>

## Declaração de conformidade CE

DIRECTIVA MÁQUINAS

DIRECTIVA SOBRE RUÍDO AMBIENTE



GL701/GL710/GL716/GL720/GL741

A Black & Decker declara que os produtos descritos na secção "dados técnicos" se encontram em conformidade com:

Directiva 98/37/CE (até 28 de Dezembro de 2009),  
Directiva 2006/42/CE (a partir de 29 de Dezembro de 2009),  
EN 60335-1, EN 60335-2-91

2000/14/CE, Aparador de relva, Comprimento, L ≤ 50 cm,  
Anexo VIII

KEMA Quality B.V., Utrechtseweg 310, 6802 ED Arnhem,  
Países Baixos  
Notified Body ID No.: 0344

Nível de potência acústica segundo a 2000/14/CE  
(Artigo 12, Anexo III, L ≤ 50 cm):

L<sub>WA</sub> (potência acústica medida) 95 dB(A)  
imprecisão (K) = 3 dB(A)

L<sub>WA</sub> (potência acústica garantida) 96 dB(A)  
imprecisão (K) = 3 dB(A)

Estes produtos também se encontram em conformidade com a directiva 2004/108/CE. Para obter mais informações, queira contactar a Black & Decker através do endereço que se segue ou indicado no verso do manual.

O signatário é responsável pela compilação do ficheiro técnico e apresenta esta declaração em nome da Black & Decker.

Kevin Hewitt

Vice-presidente do Departamento de Engenharia Global  
Black & Decker Europe, 210 Bath Road, Slough,  
Berkshire, SL1 3YD  
Reino Unido  
1-10-2009

Número de aplicação da patente do Reino Unido: 059745.6

Números de aplicação do desenho da Comunidade Europeia:  
340385-0001 & 339544-0001

## Garantia

A Black & Decker confia na qualidade de seus produtos e oferece um programa de garantia excelente.

Esta declaração de garantia soma-se aos seus direitos legais e não os prejudica em nenhum aspecto. A garantia será válida nos territórios dos Estados Membros da União Europeia e na Área de Livre Comércio da Europa.

Caso algum produto da Black & Decker apresente avarias devido a defeitos de material, mão-de-obra ou ausência de conformidade no prazo de 24 meses a partir da data de compra, a Black & Decker garantirá a substituição das peças defeituosas, a reparação dos produtos que foram submetidos a uso adequado e remoção ou substituição dos mesmos para assegurar o mínimo de inconvenientes ao cliente a menos que:

- ◆ O produto tenha sido utilizado para fins comerciais, profissionais ou aluguer;
- ◆ O produto tenha sido submetido a uso incorrecto ou descuido;
- ◆ O produto tenha sofrido danos causados por objectos estranhos, substâncias ou acidentes;
- ◆ Tenha um histórico de reparações efectuadas por terceiros que não sejam os agentes autorizados ou profissionais de manutenção da Black & Decker.

Para activar a garantia, será necessário enviar a prova de compra ao revendedor ou agente de reparação autorizado. Para verificar a localização do agente de reparação mais próximo de si contacte o escritório local da Black & Decker no endereço indicado neste manual. Se preferir, consulte a lista de agentes autorizados da Black & Decker e os dados completos de nossos serviços de atendimento pós-venda na Internet no endereço: **[www.2helpU.com](http://www.2helpU.com)**

Visite o nosso website **[www.blackanddecker.eu](http://www.blackanddecker.eu)** para registar o seu novo produto Black & Decker e para se manter actualizado sobre novos produtos e ofertas especiais. Estão disponíveis mais informações sobre a Black & Decker e sobre a nossa gama de produtos em **[www.blackanddecker.eu](http://www.blackanddecker.eu)**

## Användningsområde

Din Black & Decker grästrimmare är avsedd för trimning och kantklippning av gräsmattor och för gräsklippning på svåråtkomliga ställen. Produkten är inte avsedd för yrkesmässig användning.

## Säkerhetsanvisningar

**Varning!** När man använder elektriska apparater är det viktigt att bl.a. följa nedanstående säkerhetsanvisningar för att minska risken för brand, elektriska stötar, personskador och materialskador.

- ◆ Läs hela bruksanvisningen noggrant innan du använder verktyget.
- ◆ Apparaten är avsedd för den användning som beskrivs i denna bruksanvisning. Använd endast de tillbehör och tillsatser som rekommenderas i bruksanvisningen och katalogerna. Användning av annan tillsats eller annat tillbehör kan innebära risk för personskada.
- ◆ Spara bruksanvisningen för framtida bruk.

## Användning av apparaten

Var alltid försiktig när du använder apparaten.

- ◆ Använd alltid skyddsglasögon.
- ◆ Låt aldrig barn eller personer som inte har läst anvisningarna använda utrustningen.
- ◆ Låt inte barn eller djur att komma i närheten av arbetsområdet eller röra vid apparaten eller sladden.
- ◆ Var mycket uppmärksam när apparaten används nära barn.
- ◆ Ungdomar eller personer med svag hälsa ska inte använda verktyget utan tillsyn.
- ◆ Utrustningen får inte användas som leksak.
- ◆ Använd verktyget endast vid dagsljus eller i god belysning.
- ◆ Använd den bara på torra platser. Utsätt inte apparaten för väta.
- ◆ Doppa aldrig apparaten i vatten.
- ◆ Öppna inte höljet. Den innehåller inga delar som kan servas av användaren.
- ◆ Använd inte utrustningen i explosionsfarlig omgivning med brännbara vätskor, gaser eller damm.
- ◆ För att minska risken för skador på kontakter eller kablar, dra aldrig i nätkabeln för att ta bort kontakten från ett uttag.

## Andra personers säkerhet

- ◆ Apparaten är inte avsedd att användas av personer (inklusive barn) med försvagade fysiska, sensoriska eller mentala förmågor, eller som saknar erfarenhet och kunskaper, om de inte får övervakning eller undervisning i användning av apparaten av någon som ansvarar för deras säkerhet.
- ◆ Håll uppsyn så att inga barn leker med apparaten.

## Efter användning

- ◆ När verktyget inte används, ska det förvaras på en torr, väl ventilerad plats utom räckhåll för barn.
- ◆ Se till att barn inte kan få tag på verktyget.
- ◆ När utrustningen förvaras eller transporteras på ett fordon ska det placeras i bagageutrymmet eller förankrat för att förhindra rörelser vid snabba ändringar av hastighet eller körriktning.

## Kontroll och reparation

- ◆ Kontrollera om apparaten är skadad eller defekt, innan den används. Kontrollera att inga delar är trasiga och andra förhållanden som kan påverka funktionen.
- ◆ Använd inte verktyget om någon del är skadad eller defekt.
- ◆ Om fel uppstår skall delarna repareras eller bytas ut av en auktoriserad Black & Decker serviceverkstad.
- ◆ Försök aldrig att ta bort eller byta ut andra delar än dem som nämns i denna bruksanvisning.

## Bruk med förlängningssladd

Använd alltid en godkänd förlängningssladd som är anpassad till detta verktygs strömförsörjning (se tekniska data). Förlängningssladden måste vara lämpad och märkt för utomhusbruk. Upp till 30 m 1,5 mm<sup>2</sup> HO5VV-F förlängningssladd kan användas utan att försämra produktens prestanda. Kontrollera före bruk om förlängningssladden är skadad, sliten eller börjar åldras. Byt ut förlängningssladden om den är skadad eller trasig. Vid bruk av en sladdvinda ska alltid hela sladden lindas av.

## Tillkommande säkerhetsanvisningar för grästrimmare

**Varning!** Skärelementen fortsätter att rotera sedan motorn har stängts av.

- ◆ Bekanta dig med reglagen och hur verktyget ska användas.
- ◆ Kontrollera före användning om sladden eller förlängningssladden är skadad, sliten eller börjar bli gammal. Om en sladd skadas under användning, koppla bort nätsladden från elnätet omedelbart. RÖR INTE SLADDEN INNAN STRÖMMEN KOPPLATS BORT.
- ◆ Använd inte utrustningen om sladdarna är utslitna eller skadade.
- ◆ Skydda fötterna genom att bära rejäla skor eller stövlar.
- ◆ Skydda benen genom att bära långbyxor.
- ◆ Innan du börjar använda utrustningen ska du kontrollera att arbetsområdet är fritt från pinnar, stenar, ståltråd och andra föremål.
- ◆ Verktyget ska hållas upprätt när det används, med trimtråden nära marken. Starta aldrig verktyget i något annat läge.
- ◆ Rör dig långsamt när du använder verktyget. Tänk på att nyklippt gräs är fuktigt och halt.
- ◆ Arbeta inte i branta sluttningar. Arbeta i sidled i sluttningar – aldrig uppåt och nedåt.

- ◆ Gå aldrig över en grusgång eller väg med verktyget igång.
- ◆ Ta aldrig i trimtråden när verktyget är igång.
- ◆ Lägg inte ner verktyget förrän trimtråden har stannat helt.
- ◆ Använd endast rätt typ av trimtråd. Använd aldrig trimtråd av metall eller fiskelina.
- ◆ Var noga med att inte vidröra skärbladet för trimtråden.
- ◆ Var noga med att hålla undan sladden från trimtråden. Håll alltid reda på var sladden finns.
- ◆ Håll alltid händer och fötter borta från trimtråden, i synnerhet när motorn startas.
- ◆ Om verktyget har utsatts för stötar, får det inte användas förrän det har kontrollerats med avseende på skador och slitage och, om så erfordras, reparerats.
- ◆ Använd aldrig verktyget om något skydd har skadat eller saknas.
- ◆ Se till att du inte skadar dig på någon utrustning avsedd för trimning trådens längd. När ny trimtråd har dragits fram, måste verktyget alltid återföras till sitt normala driftläge innan det startas.
- ◆ Håll alltid ventilationsspringorna fria från smuts och skräp.
- ◆ Använd inte utrustningen (kanttrimmaren) om sladdarna är nötta eller skadade.
- ◆ Håll förlängningskablar borta från skärelementen.

## Etiketter på verktyget

Följande varningssymboler återfinns på verktyget:



Läs bruksanvisningen innan du använder verktyget.



Använd skyddsglasögon under arbete med verktyget.



Tillåt inte barn och djur att uppehålla sig närmare arbetsområdet än 6 meter.



Utsätt inte verktyget för regn eller hög luftfuktighet.

## Elsäkerhet



Eftersom apparaten är dubbelisolerad behövs ingen jordledare. Kontrollera alltid att nätspänningen överensstämmer med värdet på märkplåten.

- ◆ Om nätsladden är skadad måste den bytas ut av tillverkaren eller en godkänd Black & Decker-serviceverkstad för att undvika en risksituation.

## Detaljbeskrivning

Denna utrustning inkluderar en del eller samtliga av följande funktioner:

1. Strömbrytare
2. Handtag
3. Sladdhållare
4. Elkontakt
5. Stödhandtag
6. Justeringsknapp
7. Stång
8. Skydd
9. Skärblad för trimtråd
10. Spolhus
11. Trimtråd
12. Kantledare

## Montering

**Varning!** Se innan du monterar apparaten till att den är avstängd och inte ansluten till nätet.

### Montering av skyddet (fig. A)

- ◆ Avlägsna sexkantskruvarna (13) från huvudet (14).
- ◆ Placera skyddet (8) på utrustningen enligt figuren.
- ◆ Tryck på skyddet ordentligt tills det snäpper fast på plats.
- ◆ Sätt fast skyddet med sexkantskruvarna.
- ◆ Dra åt sexkantskruven med sexkantsnyckeln (15) som medföljer.

**Varning!** Använd inte utrustningen om skyddet inte är korrekt monterat.

### Att frigöra trimtråden

Under transporten är trimtråden fasttejpad på spolhuset.

- ◆ Ta bort den tejp som håller fast trimtråden (11) vid spolhuset (10).

### Nätanslutning av apparaten

- ◆ Anslut honkontakten på en lämplig förlängningssladd till elkontakten (4).
- ◆ För sladden genom sladdhållaren (3).
- ◆ Sätt nätkontakten i ett vägguttag.

**Varning!** Förlängningssladden måste vara avsedd för utomhusbruk.

### Övriga risker.

Ytterligare risker som inte finns med i de bifogade säkerhetsföreskrifterna kan uppstå när verktyget används. Dessa risker kan uppstå vid felaktig eller långvarig användning, etc.

Även om alla relevanta säkerhetsföreskrifter följs och säkerhetsanordningar används kan vissa ytterligare risker inte undvikas. Dessa innefattar:

- ◆ **Skador orsakade av att roterande/rörliga delar vidrörs.**



- ◆ Skador som uppstår vid byte av delar, blad eller tillbehör.
- ◆ Skador som orsakas av långvarig användning av ett verktyg. Se till att ta regelbundna raster när du använder ett verktyg under en längre period.
- ◆ Skador på hörseln.
- ◆ Hälsofaror orsakade av inandning av damm när verktyget används (exempel: arbete med trä, särskilt ek, bok och MDF.)

## Användning

**Varning!** Överbelasta inte maskinen, låt den arbeta i sin egen takt.

## Ställa in utrustningen för trimning eller kantklippning (fig. B - D)

Verktyget kan antingen användas i trimningsläge, enligt figur B, eller i kantklippningsläge för klippning av gräs som sticker ut utanför kanten på gräsmattor och rabatter, enligt figur C.

### Trimningsläge (fig. B & D)

För trimning ska trimhuvudet stå i läget som visas i fig. B. Om detta inte är fallet:

- ◆ Tryck in justeringsknappen (6).
  - ◆ Vrid stängeln (7) medan du släpper knappen.
  - ◆ När huvudet är på plats spärras knappen i det nya läget.
- Obs!: Stängeln kan endast vridas i en riktning.

### Kantklippningsläge (fig. C & D)

Vid kantklippning ska trimningshuvudet vara i den position som framgår av fig. C. Om detta inte är fallet:

- ◆ Tryck in justeringsknappen (6).
- ◆ Vrid stängeln (7) medan du släpper knappen.
- ◆ När huvudet är på plats spärras knappen i det nya läget.

Obs!: Stängeln kan endast vridas i en riktning.

### Justering av verktygets höjd (fig. D)

Denna utrustning har en teleskopmekanism så att det kan ställas in till en bekväm arbetshöjd. Det har tre höjdställningar. Gör så här för att justera höjden:

- ◆ Tryck in justeringsknappen (6).
- ◆ Drag stängeln (7) försiktigt ut ur motorhuset (16) till önskad höjd, släpp knappen.
- ◆ När stängeln är på plats spärras knappen i det nya läget.

### Start och stopp

- ◆ Starta verktyget genom att trycka in avtryckarspaken (1).
- ◆ Stoppa utrustningen genom att släppa spaken.

**Varning!** Försök aldrig låsa avtryckarspaken i startläge.

## Råd för bästa resultat

### Allmänt

- ◆ För att få bästa möjliga resultat ska du bara klippa gräs som är torrt.

### Trimning

- ◆ Håll utrustningen så som visas i fig. B.
- ◆ Sväng grästrimmaren lugnt fram och tillbaka.
- ◆ Arbeta i flera omgångar uppifrån om gräset är långt. Trimma bara lite gräs åt gången.
- ◆ Undvik att träffa hårda föremål och ömtåliga växter.
- ◆ Minska belastningen om utrustningen börjar arbeta långsamt.

### Kantklippning

De bästa resultaten får man om kanterna är djupare än 50 mm.

- ◆ Använd inte utrustningen till att åstadkomma nya kanter. För att göra nya kanter ska du använda en kantspade.
- ◆ För utrustningen så som visas i fig. C.
- ◆ Luta utrustningen en aning om du vill klippa något närmare.

### Byte till en ny trimtrådsspole (fig. E & G)

Du köper nya spolar med trimtråd från din Black & Decker återförsäljare (kat.nr. A6495).

- ◆ Håll knapparna (17) intryckta och ta ut spolskyddet (18) ur spolhuset (10).
- ◆ Tag ut den tomma spolen (19) ur spolhuset.
- ◆ Avlägsna eventuell smuts och gräs ur spolhuset och skyddet.
- ◆ Placera den nya spolen på navet i spolhuset med trimtrådarna i springorna (23) (fig. F).
- ◆ För in trådändarna genom de lämpliga öglorna (20) i huset (10). Dra i trimtråden tills den dras ut från springorna (23) (fig. G).
- ◆ Rikta knapparna (17) på spolskyddet gentemot öppningarna (21) i huset.
- ◆ Tryck spolskyddet (18) på spolhuset (10) tills det snäpper på plats ordentligt.

**Obs!:** Kontrollera så att skyddet sitter rätt, lyssna efter två tydliga klick som innebär att bägge knapparna (17) sitter korrekt.

**Varning!** Om trimtrådarna sticker ut utanför skärbladet (9) ska de kapas så att de bara når fram till bladet.

### Linda ny tråd på en tom spole (fig. H - J)

Du kan linda ny tråd på en tom spole. Du köper nya förpackningar med trimtråd från din Black & Decker återförsäljare (kat.nr. A6171).

- ◆ Ta bort den tomma spolen från utrustningen enligt beskrivningen ovan.
- ◆ Ta bort eventuell trimtråd som finns kvar på spolen.

- ◆ Linda först på ny tråd på den översta delen av spolen.
  - Mata in 2 cm trimtråd genom ett av hålen i den övre delen av spolen enligt figuren.
  - Linda trimtråden på spolen i pilens riktning. Linda tråden ordentligt i olika lager. Linda inte i kors.
  - Klipp av tråden när den lindade tråden kommit upp till slitsarna (22).
  - Fäst tråden tillfälligt i springorna (23) på spolens ena sida enligt figuren.
- ◆ Gör likadant med den andra trimtråden, på spolens undre del. Fäst tråden i de lediga uttagen (23).
- ◆ Sätt spolen på plats enligt anvisningarna ovan. Glöm inte att sedan lösgöra trimtrådarna från uttagen (23).

**Varning!** Använd endast trimtråd som rekommenderas av Black & Decker. Se till att det finns trimtråd i båda sektionerna av spolen.

## Felsökning

Följ anvisningarna nedan om något problem uppkommer. Kontakta din auktoriserade Black & Decker serviceverkstad om du inte kan lösa problemet.

**Varning!** Dra ur sladden innan du fortsätter.

## Utrustningen går långsamt.

- ◆ Kontrollera att spolhuset kan rotera fritt. Rengör det försiktigt om det behövs.
- ◆ Kontrollera att trimtråden inte sticker ut ur spolhuset mer än 11 cm. Om den sticker ut längre ska den kapas så att den just når fram till skärbladet.

## Den automatiska trådmatningen fungerar inte

- ◆ Håll knapparna intryckta och avlägsna spolskyddet från spolhuset.
- ◆ Dra i trimtråden tills den sticker ut 11 cm utanför spolhuset. Om det är för lite tråd kvar på spolen byter du till en ny spole med trimtråd. Följ anvisningarna ovan.
- ◆ Rikta knapparna på spolskyddet gentemot öppningarna i huset.
- ◆ Tryck spolskyddet på spolhuset tills det snäpper på plats ordentligt.
- ◆ Om trimtråden sticker utanför skärbladet ska den kapas så att den just når fram till bladet.

Prova följande olika åtgärder om den automatiska

trådmatningen ändå inte fungerar, eller om spolen låst sig:

- ◆ Gör ren spolskyddet och spolen försiktigt.
- ◆ Avlägsna spolen och kontrollera att armen kan röra sig fritt.
- ◆ Tag ut spolen och linda av hela trimtråden. Linda sedan på den jämnt igen, enligt anvisningarna ovan. Sätt tillbaka spolen enligt anvisningarna.

## Underhåll

Ditt Black & Decker-verktyg, med eller utan nätkabel, har tillverkats för att fungera under lång tid med ett minimum av underhåll. Med rätt underhåll och regelbunden rengöring behåller verktyget sin prestanda.

**Varning!** Före varje typ av underhåll på nätnätslutna/sladdlösa motordrivna verktyg:

- ◆ Stäng av apparaten/verktyget och drag ur kontakten.
- ◆ Eller stäng av och ta bort batteriet från utrustningen/verktyget om utrustningen/verktyget har ett separat batteripaket.
- ◆ Eller töm batteriet helt om det är inbyggd och stäng sedan av.
- ◆ Tag ur laddarkontakten före rengöring. Laddaren behöver inget underhåll förutom regelbunden rengöring.
- ◆ Rengör regelbundet ventilationsöppningarna på apparaten/verktyget/laddaren med en mjuk borste eller torr trasa.
- ◆ Rengör kåpan regelbundet med en fuktig trasa. Använd aldrig rengöringsmedel med lösnings- eller slipmedel i.
- ◆ Öppna chocken regelbundet och knacka på den för att avlägsna eventuellt damm som hamnat inuti den (när den är monterad).

## Miljöskydd



Särskild insamling. Denna produkt får inte kastas bland vanliga hushållssopor.

Om du någon gång i framtiden behöver ersätta din Black & Decker-produkt med en ny, eller inte längre behöver den, ska du inte kasta den i hushållssoporna. Denna produkt skall lämnas till särskild insamling.



Efter insamling av använda produkter och förpackningsmaterial kan materialen återvinnas och användas på nytt. Användning av återvunna material skonar miljön och minskar förbrukningen av råvaror.

Enligt lokal lagstiftning kan det förekomma särskilda insamlingar av uttjänt elutrustning från hushåll, antingen vid kommunala miljöstationer eller hos detaljhandlaren när du köper en ny produkt.

Black & Decker erbjuder en samlings- och återvinningstjänst för Black & Decker-produkter när de en gång har tjänat ut. För att använda den här tjänsten lämnar du in produkten till en auktoriserad B & D -reparatör/representant som tar hand om den för din räkning.

Närmaste auktoriserade Black & Decker-representant finner du genom det lokala Black & Decker-kontoret på adressen i den

här manualen. Annars kan du söka på Internet, på listan över auktoriserade Black & Decker-representanter och alla uppgifter om vår kundservice och andra kontakter [www.2helpU.com](http://www.2helpU.com)

**Tekniska data**

|                     |                   | GL701    | GL710    | GL716    |
|---------------------|-------------------|----------|----------|----------|
|                     |                   | TYPE 3-5 | TYPE 3-5 | TYPE 3-5 |
| Spänning            | V <sub>AC</sub>   | 230      | 230      | 230      |
| Ineffekt            | W                 | 550      | 520      | 580      |
| Obelastad hastighet | min <sup>-1</sup> | 6.500    | 6.500    | 6.500    |
| Vikt                | kg                | 3,2      | 3,2      | 3,2      |

|                     |                   | GL720    | GL741    |
|---------------------|-------------------|----------|----------|
|                     |                   | TYPE 3-5 | TYPE 3-5 |
| Spänning            | V <sub>AC</sub>   | 230      | 230      |
| Ineffekt            | W                 | 600      | 700      |
| Obelastad hastighet | min <sup>-1</sup> | 6.500    | 6.500    |
| Vikt                | kg                | 3,2      | 3,2      |

Vägt vibrationsmedelvärde hand/arm enligt EN 786: = 7,5 m/s<sup>2</sup>  
avvikelse (K) = 1.5 m/s<sup>2</sup>

**EC-förklaring om överensstämmelse**

MASKINDIREKTIVET  
DIREKTIVET OM STÖRANDE LJUD UTMOMHUS



GL701/GL710/GL716/GL720/GL741

Black & Decker deklarerar att dessa produkter, beskrivna under "tekniska data", är tillverkade i överensstämmelse med: 98/37/EC (till 28 dec. 2009), 2006/42/EC (från 29 dec. 2009), EN 60335-1, EN 60335-2-91

2000/14/EG, Grästrimmare, L ≤ 50 cm, Bilaga VIII  
KEMA Quality B.V., Utrechtseweg 310, 6802 ED Arnhem,  
Nederländerna  
Notified Body ID No.: 0344

Nivå för akustisk effekt enligt 2000/14/EG  
(Artikel 12, Bilaga III, (6) L ≤ 50 cm):  
L<sub>WA</sub> (uppmätt ljudeffekt) 95 dB(A)  
avvikelse (K) = 3 dB(A)  
L<sub>WA</sub> (garanterad ljudeffekt) 96 dB(A)  
avvikelse (K) = 3 dB(A)

Dessa produkter överensstämmer också med direktivet 2004/108/EG. För mer information, vänligen kontakta Black & Decker på följande adress eller den som anges på handbokens baksida.

Undertecknad är ansvarig för sammanställningen av den tekniska filen och gör denna försäkran som representant för Black & Decker.

Kevin Hewitt  
Vice-President Global Engineering  
Black & Decker Europe, 210 Bath Road, Slough,  
Berkshire, SL1 3YD  
Storbritannien  
1-10-2009

Patentdokument (Storbritannien): 059745.6

Tillverkningsdokument (EU): 340385-0001 & 339544-0001

## Reservdelar / reparationer

Reservdelar finns att köpa hos auktoriserade Black & Decker verkstäder, som även ger kostnadsförslag och reparerar våra produkter.

Förteckning över våra auktoriserade verkstäder finns på Internet, vår hemsida [www.blackanddecker.se](http://www.blackanddecker.se) samt [www.2helpU.com](http://www.2helpU.com)

## Garanti

Black & Decker garanterar att produkten är fri från material- och/eller fabrikationsfel vid leverans till kund. Garantin är i tillägg till konsumentens lagliga rättigheter och påverkar inte dessa. Garantin gäller inom medlemsstaterna i Europeiska Unionen och i det Europeiska Frihandelsområdet.

Om en Black & Decker produkt går sönder på grund av material- och/eller fabrikationsfel eller brister i överensstämmelse med specifikationen, inom 24 månader från köpet, åtar sig Black & Decker att reparera eller byta ut produkten med minsta besvär för kunden.

Garantin gäller inte för fel som beror på:

- ◆ normalt slitage
- ◆ felaktig användning eller skötsel
- ◆ att produkten skadats av främmande föremål, ämnen eller genom olyckshändelse

Garantin gäller inte om reparation har utförts av någon annan än en auktoriserad Black & Decker verkstad.

För att utnyttja garantin skall produkten och inköpskvittot lämnas till återförsäljaren eller till en auktoriserad verkstad senast 2 månader efter det att felet har upptäckts.

För information om närmaste auktoriserad verkstad; kontakta det lokala Black & Decker kontoret på den adress som är angiven i bruksanvisningen. En lista på alla auktoriserade verkstäder samt servicevillkor finns även tillgängligt på Internet, adress: [www.2helpU.com](http://www.2helpU.com)

Besök vår webbplats [www.blackanddecker.se](http://www.blackanddecker.se) för att registrera din nya Black & Decker-produkt samt för att erhålla information om nya produkter och specialerbjudanden. Vidare information om märket Black & Decker och vårt produktsortiment kan återfinnas på [www.blackanddecker.se](http://www.blackanddecker.se)

## Bruksområder

Din Black & Decker gresstrimmer er beregnet på klipping og trimming av plenkanter og klipping av gress på vanskelig tilgjengelige steder. Apparatet er kun beregnet til privat bruk.

## Sikkerhetsinstruksjoner

**Advarsel!** Ved bruk av elektriske apparater som er koblet til strømmettet, må du alltid følge en del grunnleggende sikkerhetsregler, deriblant følgende, for å redusere faren for brann, elektrisk støt, personskade og materialskade.

- ◆ Les hele bruksanvisningen før du begynner å bruke verktøyet.
- ◆ Bruksanvisningen beskriver hvordan apparatet skal brukes. Bruk bare tilbehør og utstyr til dette apparatet som anbefales i bruksanvisningen. Bruk av annet tilbehør eller utstyr kan medføre risiko for personskade.
- ◆ Ta vare på denne bruksanvisningen for fremtidig bruk.

## Bruk av apparatet

Vær alltid forsiktig når du bruker apparatet.

- ◆ Bruk alltid vernebriller.
- ◆ Ikke la barn eller personer som ikke har lest denne bruksanvisningen benytte verktøyet.
- ◆ Ikke la barn eller dyr komme i nærheten av arbeidsområdet eller berøre apparatet eller strømledningen.
- ◆ Vær ekstra oppmerksom når apparatet brukes i nærheten av barn.
- ◆ Dette apparatet er ikke beregnet for bruk av unge eller uerfarne personer uten tilsyn.
- ◆ Verktøyet må ikke brukes som leketøy.
- ◆ Bruk bare verktøyet i dagslys eller med bra belysning.
- ◆ Må kun brukes der det er tørt. Ikke la dette verktøyet bli vått.
- ◆ Apparatet må ikke dyppes i vann.
- ◆ Motorhuset må ikke åpnes. Det er ingen deler på innsiden som bruker kan gjøre noe med.
- ◆ Ikke arbeid med verktøyet i eksplosjonsfarlige omgivelser som f.eks. der det finnes brennbare væsker, gass eller støv.
- ◆ For å redusere faren for skade på plugger og ledninger, må du aldri trekke i ledningen for å trekke pluggen ut av en kontakt.

## Andre personers sikkerhet

- ◆ Apparatet er ikke beregnet til å brukes av personer (inkludert barn) med redusert fysisk, sansemessig eller mental kapasitet eller mangel på erfaring og kunnskap, med mindre de er under oppsyn eller har fått opplæring i bruk av apparatet av en person som har ansvaret for deres sikkerhet.
- ◆ Barn må ha tilsyn for å sikre at de ikke leker med apparatet.

## Etter bruk

- ◆ Når det ikke er i bruk, må verktøyet oppbevares på et tørt og godt ventilert sted, og utenfor barns rekkevidde.

- ◆ Apparatet skal oppbevares utilgjengelig for barn.
- ◆ Når verktøyet oppbevares eller transporteres i et kjøretøy, bør det plasseres i bagsjeromet eller bindes fast for å unngå bevegelse ved brå endringer i retning eller hastighet.

## Kontroll og reparasjon

- ◆ Før bruk må du kontrollere apparatet for skadde eller defekte deler. Kontroller at det ikke finnes deler med brudd og alle se etter andre forhold som kan påvirke verktøyets funksjon.
- ◆ Bruk aldri apparatet hvis noen av delene er skadde eller defekte.
- ◆ Ved skade eller feil må delene repareres eller byttes ut av et autorisert serviceverksted.
- ◆ Prøv aldri å fjerne eller bytte andre deler enn de som er angitt i denne bruksanvisningen.

## Bruk med skjøteledning

Bruk alltid en godkjent skjøteledning som er egnet for dette verktøyets kraftbehov (se tekniske data). Bruk kun skjøteledning som er tillatt for utendørs bruk og merket for dette. Skjøteledning på opptil 30 m av typen 1,5 mm<sup>2</sup> HO5VV-F kan brukes uten at ytelsen reduseres. Før bruk må du kontrollere at skjøteledningen ikke er skadet eller slitt. Skift ut skjøteledningen hvis den er skadet. Hvis du bruker en kabeltrommel, må du alltid vikle ut hele ledningen.

## Ekstra sikkerhetsinstruksjoner for gresstrimmere

**Advarsel!** Kutteelementene fortsetter å rotere etter at motoren slås av.

- ◆ Gjør deg kjent med funksjonene og riktig bruk av verktøyet.
- ◆ Før bruk må du kontrollere om strømledningen eller skjøteledningen er skadet, for gammel eller slitt. Hvis en ledning blir skadet under bruk, må du trekke den ut av nettuttaket umiddelbart. IKKE BERØR LEDNINGEN FØR DU KOPLER FRA STRØMTILFØRSELEN.
- ◆ Ikke bruk verktøyet hvis ledningene er skadet eller slitt.
- ◆ Bruk solide sko eller støvler, slik at du beskytter føttene.
- ◆ Beskytt bena ved å bruke langbukser.
- ◆ Før du bruker verktøyet må du sjekke at arbeidsområdet er fritt for kvister, steiner, ståltråder og andre hindringer.
- ◆ Bruk kun verktøyet i loddrett stilling, med trimmertråden mot bakken. Verktøyet må aldri slås på i andre stillinger.
- ◆ Beveg deg sakte når du bruker verktøyet. Husk at nyklipp gress er fuktig og glatt.
- ◆ Ikke arbeid i bratte skråninger. Klipp på tvers av skråninger, ikke opp- eller nedover.
- ◆ Gå aldri over grusganger eller veier mens verktøyet er i gang.
- ◆ Rør aldri trimmertråden mens verktøyet er i gang.
- ◆ Legg ikke verktøyet fra deg før trimmertråden har stoppet fullstendig.
- ◆ Pass på at du bruker riktig type trimmertråd. Du må aldri

bruke trimmertråder av metall eller fiskesnøre.

- ◆ Pass på at du ikke berører skjærekniven for trimmertråden.
- ◆ Pass på at ledningen holdes i god avstand fra trimmertråden. Pass på at du alltid vet hvor ledningen er.
- ◆ Hold hender og føtter unna trimmertråden, særlig når du slår på motoren.
- ◆ Før du bruker verktøyet og etter at det har vært utsatt for støt, må du sjekke om det er tegn på slitasje eller skade og reparere det om nødvendig.
- ◆ Ikke bruk verktøyet hvis vernene er skadet eller ikke er montert.
- ◆ Vær forsiktig så du ikke skader deg på anordningene som er montert for å kutte trimmertråden. Når du har strukket ut en ny trimmertråd må verktøyet alltid settes tilbake i vanlig bruksposisjon før du slår det på.
- ◆ Pass alltid på at ventilasjonsslissene holdes fri for smuss.
- ◆ Ikke bruk gresstrimmeren hvis ledningene er skadet eller slitt.
- ◆ Hold skjøteledninger unna kutteelementene.

## Etiketter på verktøyet

Du finner følgende varselssymboler på verktøyet:



Les bruksanvisningen før du bruker verktøyet.



Bruk vernebriller når du bruker dette verktøyet.



Ikke tillat at barn og dyr oppholder seg nærmere arbeidsområdet enn 6 meter.



Ikke utsett verktøyet for regn eller miljøer med høy fuktighet.

## Elektrisk sikkerhet



Dette apparatet er dobbeltisolert. Derfor er jording unødvendig. Kontroller alltid at nettspenningen er i overensstemmelse med spenningen på typeskiltet.

- ◆ Hvis strømledningen skades, må den skiftes ut av produsenten eller et autorisert Black & Decker servicesenter for å unngå fare.

## Egenskaper

Dette verktøyet har noen av eller alle følgende funksjoner.

1. Strømbryter
2. Håndtak
3. Ledningholder
4. Strømminntak

5. Støttehåndtak
6. Justeringsknapp
7. Rør
8. Beskyttelse
9. Skjærekniv for trimmertråd
10. Spolehus
11. Trimmertråd
12. Kantstøtte

## Montering

**Advarsel!** Før monteringen må du passe på at apparatet er slått av, og at støpselet er trukket ut av kontakten.

### Montere beskyttelsen (fig. A)

- ◆ Fjern sekskantskruene (13) fra trimmerhodet (14).
- ◆ Plasser vernet (8) på verktøyet som vist.
- ◆ Trykk beskyttelsen ned til den klikker på plass.
- ◆ Fest beskyttelsen med sekskantskruene.
- ◆ Stram sekskantskruene ved å bruke den medfølgende sekskantnøkkelen (15).

**Advarsel!** Ikke bruk verktøyet med mindre vernet er satt riktig på.

### Utløse trimmertråden

Ved forsendelse er trimmertråden tapet til spolehuset.

- ◆ Fjern tapen som fester trimmertråden (11) til spolehuset (10).

### Koble apparatet til strømtilførselen

- ◆ Koble hunnpluggen på en egnet skjøteledning til strømminntaket (4).
- ◆ Før kablet i en sløyfe gjennom kabelholderen (3).
- ◆ Sett støpslet inn i et strømuttak.

**Advarsel!** Skjøteledningen må være egnet for utendørs bruk.

### Andre risikoer.

Ved bruk av verktøyet kan det oppstå ytterligere risikoer som kanskje ikke er inkludert i sikkerhetsadvarslene som følger med. Disse risikoene kan bli forårsaket av feil bruk, langvarig bruk osv.

Selv om de relevante sikkerhetsbestemmelsene blir fulgt, og sikkerhetstiltakene blir gjennomført, kan visse gjenværende risikoer ikke unngås. Disse omfatter:

- ◆ **Personskader som forårsakes av berøring av en roterende/bevegelig del.**
- ◆ **Personskader som forårsakes av at en del, et blad eller tilbehør endres.**
- ◆ **Personskader som forårsakes av langvarig bruk av et verktøy. Når du bruker et verktøy i lange perioder, må du sørge for å ta regelmessige pauser.**
- ◆ **Svekket hørsel.**
- ◆ **Helsefarer som forårsakes av innånding av støv som dannes når du bruker verktøyet (eksempel: arbeid med tre, spesielt eik, bøk og MDF).**

## Bruk

**Advarsel!** La verktøyet jobbe med sin egen hastighet. Ikke overbelast det.

## Innstilling av verktøyet i trimmer- eller kantklippermodus (fig. B - D)

Verktøyet kan brukes i trimmermodus som vist i fig. B, eller i kantklippermodus for klipping av overhengende gress langs plenkanter og blomsterbed som vist i fig. C.

### Trimmermodus (fig. B & D)

For trimming bør trimmerhodet være i den posisjonen som er vist i fig. B. Hvis ikke:

- ◆ Trykk inn justeringsknappen (6).
  - ◆ Roter røret (7) mens du utløser knappen.
  - ◆ Når hodet er i riktig posisjon, kan knappen låses på plass.
- Merk: Røret roterer kun i én retning.

### Kantklipperposisjon (fig. C & D)

Ved kantklipping skal trimmerhodet være i posisjonen vist i fig. C. Hvis ikke:

- ◆ Trykk inn justeringsknappen (6).
- ◆ Roter røret (7) mens du utløser knappen.
- ◆ Når hodet er i riktig posisjon, kan knappen låses på plass.

**Merk:** Røret roterer kun i én retning.

### Justere klippehøyden (fig. D).

Dette verktøyet har en teleskopmekanisme slik at du kan stille det til en komfortabel høyde. Det finnes tre høydeinnstillinger. Høydeinnstillingen kan justeres som følger:

- ◆ Trykk inn justeringsknappen (6).
- ◆ Trekk røret (7) forsiktig inn eller ut av motorhuset (16) til ønsket høyde, samtidig som du slipper knappen.
- ◆ Når røret er i riktig posisjon, kan knappen låses på plass.

### Start og stopp

- ◆ For å slå verktøyet på, trykker du inn strømbryteren (1).
- ◆ For å slå verktøyet av, slipper du strømbryteren.

**Advarsel!** Prøv aldri å låse strømbryteren i startstilling.

### Råd for optimalt resultat

#### Generelt

- ◆ Du oppnår optimale klipperesultater hvis du bare klipper tørt gress.

#### Trimming

- ◆ Hold verktøyet som vist i fig. B.
- ◆ Sving trimmeren forsiktig fra side til side.
- ◆ Arbeid i flere omganger fra toppen av gresset hvis dette er langt. Klipp lite om gangen.

- ◆ Hold verktøyet på god avstand fra harde gjenstander og skjøre planter.
- ◆ Hvis verktøyet begynner å gå sakte, må du redusere belastningen.

## Kantklipping

Optimale klipperesultater oppnås for kanter som er dypere enn 50 mm.

- ◆ Ikke bruk verktøyet til å lage nye kanter. Bruk en kantspade når du skal lage nye kanter.
- ◆ Før verktøyet som vist i fig. C.
- ◆ Vil du klippe tettere, vipper du litt på verktøyet.

## Sette på en ny spole med trimmertråd (fig. E & G)

Du får spoler med trimmertråd fra din Black & Decker-forhandler (kat. nr. A6495).

- ◆ Hold tappene (17) nede, og fjern spolebeskyttelsen (18) fra huset (10).
- ◆ Ta den tomme spolen (19) ut av spolehuset.
- ◆ Fjern smuss og gress fra spoledekslet og -huset.
- ◆ Plasser den nye spolen på bøsingen i spolehuset med trådene i slissene (23) (fig. F).
- ◆ Tre tråddene gjennom øynene (20) i huset (10). Trekk i den slakke tråden til den trekkes ut av slissene (23) (fig. G).
- ◆ Sett tappene (17) på spoledekslet på linje med sporene (21) i huset.
- ◆ Trykk dekslet (18) på huset (10) til det klikker på plass.

**Merk:** Påse at dekslet er riktig satt på, lytt etter to hørbare klikk for å sørge for at begge klaffene (17) er riktig plassert.

**Advarsel!** Hvis trimmertrådene stikker ut forbi skjæreknivene (9), må de kuttes, slik at de så vidt når frem til bladet.

## Opprulling av ny tråd på en tom spole (fig. H - J)

Du kan vikle ny trimmertråd på en tom spole. Du får pakker med trimmertråd fra din Black & Decker-forhandler (kat. nr. A6171).

- ◆ Ta den tomme spolen ut av verktøyet som forklart ovenfor.
- ◆ Fjern eventuell resterende trimmertråd fra spolen.
- ◆ Vikle først opp den nye tråden på den øverste delen av spolen:
  - Mat 2 cm trimmertråd inn i ett av hullene i øvre del av spolen, som vist.
  - Surr trimmertråden opp på spolen i pilens retning. Forsikre deg om at du vikler tråden jevnt og lagvis. Ikke gå på kryss og tvers.
  - Når den oppsurrede tråden når frem til innsparingene (22), kutter du den.
  - Fest tråden midlertidig i sporene (23) på siden av spolen, som vist.
- ◆ Gjenta fremgangsmåten ovenfor for den andre trimmertråden på nedre del av spolen. Fest tråden i de ubrukte sporene (23).

- ◆ Sett spolen på plass i verktøyet som forklart ovenfor. Ikke glem å løse trimmertråden fra sporene (23) der du festet den midlertidig.

**Advarsel!** Pass på at du bruker riktig type trimmertråd fra Black & Decker. Forsikre deg om at det er skjæretråd i begge seksjoner av spolen.

## Problemløsning

Hvis verktøyet ikke ser ut til å fungere som det skal, følger du instruksjonene nedenfor. Løser ikke dette problemet, kontakter du et autorisert Black & Decker serviceverksted.

**Advarsel!** Før du går videre, trekker du ut støpslet.

## Verktøyet går sakte

- ◆ Sjekk at spolehuset kan rotere fritt. Rengjør det nøye, om nødvendig.
- ◆ Sjekk at skjæretråden ikke stikker mer enn 11 cm ut av spolehuset. Hvis den gjør det, kutter du den av, slik at den når akkurat frem til skjærekniven.

## Automatisk trådmating fungerer ikke

- ◆ Hold tappene inne, og fjern spolelokket fra huset.
- ◆ Trekk ut trimmertråden til den stikker 11 cm ut av huset. Hvis det ikke er nok trimmertråd igjen på spolen, installerer du en ny spole med trimmertråd som forklart ovenfor.
- ◆ Sett tappene på spoledekslet på linje med sporene i huset.
- ◆ Trykk dekslet på huset til det klikker på plass.
- ◆ Hvis trimmertråden stikker lengre ut enn til skjærekniven, kutter du den av, slik at den akkurat når frem til kniven.

Hvis den automatiske trådmatingen ikke fungerer, eller spolen har satt seg fast, kan du prøve disse løsningene:

- ◆ Rengjør spoledeksel og -hus nøye.
- ◆ Ta ut spolen, og sjekk om hendelen kan beveges fritt.
- ◆ Ta ut spolen, og vikle av trimmertråden. Vikle den så jevnt på igjen som forklart ovenfor. Sett spolen på plass som angitt.

## Vedlikehold

Ditt Black & Decker-apparat/verktøy med eller uten ledning er konstruert for å være i drift over en lang periode med et minimum av vedlikehold. Det er avhengig av godt vedlikehold og regelmessig rengjøring for å fungere som det skal til enhver tid.

**Advarsel!** Før du utfører vedlikehold på elektroverktøy med ledning eller batteri:

- ◆ Slå av og trekk ut støpselet av kontakten.
- ◆ Eller slå av og ta batteriet ut av apparatet/verktøyet hvis det har en separat batteripakke.
- ◆ Eller kjøp batteriet helt tomt hvis det er innebygd, for deretter å slå av.

- ◆ Trekk ut kontakten før du rengjør laderen. Laderen din behøver ikke annet vedlikehold enn at den rengjøres med jevne mellomrom.
- ◆ Rengjør ventilasjonsåpningene på apparatet/verktøyet/laderen regelmessig med en myk børste eller en tørr klut.
- ◆ Rengjør motorhuset regelmessig med en fuktig klut. Ikke bruk slipende eller løsemiddelbaserte rengjøringsmidler.
- ◆ Åpne opp chucken regelmessig, og slå lett på den for å fjerne eventuelt støv fra innsiden (når den er innebygd).

## Miljøvern



Kildesortering. Dette produktet må ikke kastes i det vanlige husholdningsavfallet.

Hvis du finner ut at Black & Decker-produktet ditt må skiftes ut, eller hvis du ikke lenger har bruk for det, må du unnlate å kaste det sammen med det vanlige husholdningsavfallet. Sørg for at dette produktet gjøres tilgjengelig for kildesortering.



Kildesortering av brukte produkter og emballasje gjør det mulig å resirkulere materialer og bruke dem igjen. Gjenbruk av resirkulerte materialer bidrar til å forhindre forurensning av miljøet og reduserer behovet for råmaterialer.

Lokale regelverk kan legge tilrette for kildesortering av elektriske produkter fra husholdningen, ved kommunale deponier eller gjennom forhandleren når du kjøper et nytt produkt.

Black & Decker har tilrettelagt for innsamling og resirkulering av Black & Decker-produkter etter at de har utspilt sin rolle. Ønsker du å benytte deg av denne tjenesten, returnerer du produktet ditt til et autorisert serviceverksted, som tar det imot og formidler det videre.

Du kan få adressen til ditt nærmeste autoriserte serviceverksted ved å kontakte ditt lokale Black & Decker-kontor på adressen oppgitt i denne håndboken. Du kan også finne en komplett liste over autoriserte Black & Decker-serviceverksteder og utfyllende informasjon om vår etter salg-service og kontaktnumre på Internett på følgende adresse: [www.2helpU.com](http://www.2helpU.com)

## Tekniske data

|                     |                   | GL701    | GL710    | GL716    |
|---------------------|-------------------|----------|----------|----------|
|                     |                   | TYPE 3-5 | TYPE 3-5 | TYPE 3-5 |
| Spenning            | $V_{AC}$          | 230      | 230      | 230      |
| Inn-effekt          | W                 | 550      | 520      | 580      |
| Hastighet ubelastet | $\text{min}^{-1}$ | 6.500    | 6.500    | 6.500    |
| Vekt                | kg                | 3,2      | 3,2      | 3,2      |



|                     | GL720<br>TYPE 3-5       | GL741<br>TYPE 3-5 |
|---------------------|-------------------------|-------------------|
| Spenning            | $V_{AC}$ 230            | 230               |
| Inn-effekt          | W 600                   | 700               |
| Hastighet ubelastet | $\text{min}^{-1}$ 6.500 | 6.500             |
| Vekt                | kg 3,2                  | 3,2               |

Hånd/arm-vektet vibrasjonsverdi i henhold til EN 786: = 7,5 m/s<sup>2</sup>  
usikkerhet (K) = 1.5 m/s<sup>2</sup>

**Samsvarserklæring for EU**  
MASKINDIREKTIVET  
DIREKTIVET OM UNDERDØRS STØY



GL701/GL710/GL716/GL720/GL741

Black & Decker erklærer at produktene som beskrives under "tekniske data" oppfyller kravene til: 98/37/EU (til 28. desember 2009), 2006/42/EU (fra 29. desember 2009), EN 60335-1, EN 60335-2-91

2000/14/EF, Plentrimmer, L ≤ 50 cm, Bilag VIII  
KEMA Quality B.V., Utrechtseweg 310, 6802 ED Arnhem,  
Nederland  
Notified Body ID No.: 0344

Nivået av akustisk effekt i henhold til 2000/14/EF  
(Artikkel 12, Bilag III, L ≤ 50 cm):  
 $L_{WA}$  (målt lydeffekt) 95 dB(A)  
usikkerhet (K) = 3 dB(A)  
 $L_{WA}$  (garantert lydeffekt) 96 dB(A)  
usikkerhet (K) = 3 dB(A)

Disse produktene samsvarer også med direktivet 2004/108/EC.  
For mer informasjon, kontakt Black & Decker på følgende adresse eller se bakerst i håndboken.

Undertegnede er ansvarlig for sammenstillingen av den tekniske filen og avgir denne erklæringen på vegne av Black & Decker.

Kevin Hewitt  
Visepresident, Global Engineering  
Black & Decker Europe, 210 Bath Road, Slough,  
Berkshire, SL1 3YD  
Storbritannia  
1-10-2009

Britiske patentsøknadsnumre: 059745.6  
Europeisk designsøknadsnummer: 340385-0001 &  
339544-0001

## Reservdeler / reparasjoner

Reservdeler kan kjøpes hos autoriserte Black & Decker serviceverksteder, som også gir kostnadsoverslag og reparerer våre produkter.

Oversikt over våre autoriserte serviceverksteder finnes på Internet, vår hjemmeside [www.blackanddecker.no](http://www.blackanddecker.no) samt [www.2helpU.com](http://www.2helpU.com)

## Garanti

Black & Decker garanterer at produktet ikke har material- og/eller fabrikkasjonsfeil ved levering til kunde. Garantien er i tillegg til kundens lovlige rettigheter og påvirker ikke disse. Garantien gjelder innen medlemsstatene i den Europeiske Unionen og i det Europeiske Frihandelsområdet.

Hvis et Black & Decker produkt går i stykker på grunn av material- og/eller fabrikkasjonsfeil eller har mangler i forhold til spesifikasjonene, innen 24 måneder fra kjøpet, påtar Black & Decker seg å reparere eller bytte ut produktet med minst mulig vanskelighet for kunden.

Garantien gjelder ikke for feil som kommer av:

- ◆ normal slitasje
- ◆ feilaktig bruk eller vedlikehold (mislighold)
- ◆ at produktet har blitt skadet av fremmede gjenstander, emner eller ved et uhell

Det gjøres oppmerksom på at produktet ikke er beregnet på industriell/profesjonell/yrkesmessig bruk, men til hus- og hjemmebruk.

Garantien gjelder ikke om reparasjoner har blitt utført av noen andre enn et autorisert Black & Decker serviceverksted.

For å ta garantien i bruk skal produktet og kjøpekvittring leveres til forhandleren eller til et autorisert serviceverksted senest 2 måneder etter at feilen har blitt oppdaget. For informasjon om nærmeste autoriserte serviceverksted; kontakt det lokale Black & Decker kontoret på den adressen som er angitt i bruksanvisningen. En oversikt over alle autoriserte serviceverksteder samt servicevilkår finnes også tilgjengelig på Internet, adresse: [www.2helpU.com](http://www.2helpU.com)

Vennligst stikk innom våre nettsider på [www.blackanddecker.no](http://www.blackanddecker.no) for å registrere ditt nye Black & Decker-produkt og for å holde deg oppdatert om nye produkter og spesialtilbud. Du finner mer informasjon om Black & Decker og produktutvalget vårt på [www.blackanddecker.no](http://www.blackanddecker.no)

## Anvendelsesområde

Din Black & Decker græstrimmer er designet til trimning og færdiggørelse af græskanter og til græsslåning på begrænsede arealer. Apparatet er kun beregnet til privat brug.

## Sikkerhedsinstruktioner

**Advarsel!** Ved brug af elektriske apparater skal de grundlæggende sikkerhedsforanstaltninger, inkl.

nedenstående, altid følges, således at risikoen for brand, elektrisk stød samt person- og materialeskader begrænses.

- ◆ Læs denne brugsanvisning grundigt igennem, inden maskinen tages i brug.
- ◆ Den påtænkte anvendelse er beskrevet i denne håndbog. Anvendelsen af andet tilbehør eller en anden anordning til dette apparat eller udførelse af andre opgaver end de her anbefalede kan medføre risiko for personskader.
- ◆ Opbevar denne brugsanvisning til fremtidig brug.

## Brug af apparatet

Vær altid omhyggelig, når du bruger apparatet.

- ◆ Brug altid beskyttelsesbriller.
- ◆ Tillad ikke børn eller personer, der ikke har kendskab til denne brugsanvisning, at arbejde med apparatet.
- ◆ Børn eller dyr må ikke nærme sig arbejdsområdet eller røre ved apparatet eller ledningen.
- ◆ Tæt overvågning er nødvendig, når apparatet bruges i nærheden af børn.
- ◆ Dette apparat er ikke beregnet til at blive betjent af unge eller uerfarne personer uden opsyn.
- ◆ Dette apparat må ikke bruges som legetøj.
- ◆ Brug kun apparatet i dagslys eller med god kunstig belysning.
- ◆ Må kun anvendes på tørre steder. Lad ikke apparatet blive vådt.
- ◆ Dyp ikke apparatet ned i vand.
- ◆ Åbn ikke kabinettet. Der er ingen dele, som brugeren skal have adgang til inden i.
- ◆ Brug ikke apparatet i eksplosionstruede omgivelser, f.eks. hvor der er brændbare væsker, gasser eller støv.
- ◆ Træk aldrig i ledningen for at tage stikket ud af kontakten. På denne måde reduceres risikoen for beskadigelse af stik eller ledninger.

## Andres sikkerhed

- ◆ Dette apparat er ikke egnet for at brug af personer (inklusive børn) med manglende evner eller viden omkring produktet, med mindre de har modtaget undervisning eller instruktioner i brug af apparatet fra en person, som er ansvarlig for sikkerheden.
- ◆ Der skal være opsyn med børn for at sikre, at de ikke leger med maskinen.

## Efter brug

- ◆ Når apparatet ikke er i brug, skal det opbevares på et tørt sted udenfor børns rækkevidde.
- ◆ Børn må ikke have adgang til opbevarede apparater.
- ◆ Når apparatet opbevares eller transporteres i en bil, bør det anbringes i bagagerummet eller sættes fast, så man undgår, at det bevæger sig ved pludselige ændringer i hastighed eller retning.

## Eftersyn og reparationer

- ◆ Inden apparatet anvendes, skal det kontrolleres for beskadigede eller defekte dele. Kontroller for brud på delene og andet, der kan have indflydelse på apparatets funktion.
- ◆ Apparatet må ikke anvendes, hvis nogen dele er beskadigede eller defekte.
- ◆ Skadede eller defekte dele skal repareres eller udskiftes af en autoriseret tekniker.
- ◆ Der må ikke gøres forsøg på at fjerne eller udskifte dele, som ikke er nævnt i denne håndbog.

## Anvendelse af forlængerledning

Brug altid en godkendt forlængerledning, der passer til strømstikket på dette apparat (se tekniske data). Forlængerkablet skal være velegnet til udendørs brug og afmærket som sådan. Der kan bruges op til 30 m 1,5 mm<sup>2</sup> HO5VV-F forlængerledning, uden at produktets styrke forringes. Før brug kontrolleres forlængerkablet for tegn på skader, slid og ældning. Udskift forlængerkablet, hvis den bliver beskadiget eller defekt. Ved anvendelse af en kabeltromle, skal kablet altid vindes helt ud.

## Ekstra sikkerhedsvejledning til græstrimmere

**Advarsel!** Skærelementerne fortsætter med at rotere et stykke tid, efter at apparatet er slukket.

- ◆ Vær fortløbig med knapper og funktioner, samt hvordan apparatet bruges korrekt.
- ◆ Før brug kontrolleres ledningen og forlængerledningen for tegn på skader, ældning og slid. Hvis en ledning beskadiges under brugen, skal den straks trækkes ud af kontakten. **BERØR IKKE LEDNINGEN, FØR DER ER SLUKKET FOR STRØMMEN.**
- ◆ Brug ikke apparatet, hvis ledningerne er blevet slidt eller beskadiget.
- ◆ Bær kraftige sko eller støvler til beskyttelse af fødderne.
- ◆ Bær lange bukser til beskyttelse af benene.
- ◆ Før du benytter apparatet, skal du kontrollere, at græsslåningsområdet er fri for pinde, sten, tråd eller andre forhindringer.
- ◆ Brug kun apparatet, mens du står op med trimmertråden nede ved jorden. Tænd aldrig for apparatet, når det er i en anden position.

- ◆ Bevæg dig langsomt med apparatet. Vær opmærksom på, at frisk afskåret græs er fugtigt og fedtet.
- ◆ Arbejd ikke på meget stejle skråninger. Arbejd på tværs af skråninger, ikke op og ned.
- ◆ Man må aldrig krydse grusstier eller veje, mens apparatet er i gang.
- ◆ Man må aldrig røre ved trimmertråden, mens apparatet er i gang.
- ◆ Sæt ikke apparatet fra dig, før trimmertråden er stoppet helt.
- ◆ Brug kun den rigtige type trimmertråd. Brug aldrig trimmertråd af metal eller fiskesnøre.
- ◆ Pas på, du ikke berører skærebladet til trimmertråden.
- ◆ Vær omhyggelig med at holde strømkablet væk fra trimmertråden. Vær altid opmærksom på, hvor ledningen er.
- ◆ Hold altid hænder og fødder væk fra trimmertråden, især når motoren startes.
- ◆ Før du bruger apparatet og efter eventuelle ydre påvirkninger kontrolleres det for tegn på skader, og det repareres efter behov.
- ◆ Brug aldrig apparatet, hvis beskyttelsesskærmen er beskadiget eller ikke er på plads.
- ◆ Vær forsigtig for at undgå at blive skadet af udstyr, installeret til trimning af trådens længde. Efter at have trukket ny trimmertråd frem skal man altid sætte apparatet tilbage til normal arbejdsposition, før man tænder for det igen.
- ◆ Sørg altid for, at ventilationsrillerne holdes fri for debris.
- ◆ Brug ikke græstrimmeren (kantrimmeren), hvis ledningerne er blevet slidt eller beskadiget.
- ◆ Hold forlængerledninger væk fra skæreelementer.

## Etiketter på apparatet

Følgende advarselssymboler findes på apparatet:



Læs brugsanvisningen igennem, inden apparatet tages i brug.



Bær sikkerhedsbriller, når du arbejder med dette apparat.



Hold mennesker og dyr mindst 6 meter fra græsslåningsområdet.



Udsæt ikke apparatet for regn eller høj fugtighed.

## El-sikkerhed



Dette apparat er dobbelt isoleret. Derfor er jordledning ikke nødvendig. Kontroller altid, at strømforsyningen svarer til spændingen på apparatetskilte.

- ◆ Hvis el-ledningen er skadet, skal den udskiftes af producenten eller et autoriseret Black & Decker servicecenter for at undgå ulykker.

## Funktioner

Dette apparat indeholder alle eller flere af de følgende funktioner.

1. Afbryder
2. Håndtag
3. Kabelfastspænding
4. Stik til elkabel
5. Støttehåndtag
6. Justeringsknop
7. Skaft
8. Beskyttelsesskærm
9. Skæreblad til trimmertråden
10. Spolehus
11. Trimmertråd
12. Kantskinne

## Montering

**Advarsel!** Før montering skal man sikre sig, at apparatet er slukket og ledningen taget ud af stikkontakten.

## Påsætning af beskyttelsesskærmen (fig. A)

- ◆ Fjern de sekskantede skruer (13) fra mundstykket (14).
- ◆ Sæt beskyttelsesskærmen (8) på maskinen som vist.
- ◆ Tryk fast på beskyttelsesskærmen, indtil den klikker på plads.
- ◆ Fastgør beskyttelsesskærmen med de sekskantede skruer.
- ◆ Stram de sekskantede skruer ved hjælp af den sekskantede nøgle (15), som leveres med apparatet.

**Advarsel!** Brug aldrig apparatet, hvis beskyttelsesskærmen ikke sidder ordentligt fast.

## Løsning af trimmertråden

I passagen tapes trimmertråden til spolehuset.

- ◆ Fjern den tape, der fæster trimmertråden (11) til spolehuset (10).

## Tilslutning af maskinen til netforsyningen

- ◆ Sæt hunstikket på en passende forlængerledning i elstikket (4).
- ◆ Sno kablet gennem kabelfastspændingen (3).
- ◆ Indsæt stikket i stikkontakten.

**Advarsel!** Forlængerledningen skal være velegnet til udendørs brug.

## Restrisici.

Der kan opstå yderligere restrisici under brugen af værktøjet, som ikke kan medtages i vedlagte sikkerhedsadvarsler. Disse risici kan opstå pga. forkert anvendelse, langvarig brug etc. Selv ved overholdelse af relevante sikkerhedsforskrifter og anvendelse af sikkerhedsudstyr kan visse restrisici ikke undgås. Disse omfatter:

- ◆ Tilskadekomst forårsaget af berøring af roterende/ bevægelige dele.
- ◆ Tilskadekomst forårsaget af udskiftning af dele, blade eller tilbehør.
- ◆ Tilskadekomst forårsaget af langvarig brug af et værktøj. Husk at holde pause jævnligt ved brug af et værktøj i længere tid.
- ◆ Høreskader.
- ◆ Sundhedsrisici forårsaget af indånding af støv, der genereres ved brug af værktøjet (eksempel: Arbejde med træ, især, eg, bøg og MDF).

## Anvendelse

**Advarsel!** Lad værktøjet arbejde i dets eget tempo. Det må ikke overbelastes.

### Indstilling af apparatet til trimnings- eller kantklipningsindstilling (fig. B - D)

Apparatet kan bruges i trimningsindstilling som vist på fig. B eller i kantklipningsindstilling for at trimme udhængende græs langs med græsplænekanten og blomsterbedene som vist på fig. C.

### Trimningsindstilling (fig. B & D)

Til trimning skal trimmerens hoved være i den position, der er vist på fig. B. Hvis det ikke er tilfældet, skal du gøre følgende:

- ◆ Tryk på justeringsknappen (6).
- ◆ Drej skaffet (7), mens knappen slippes.
- ◆ Når hovedet er i position, låser knappen på plads.

Bemærk: Skaffet vil kun rotere i én retning.

### Kantklipningsindstilling (fig. C & D)

Til kantklipning skal trimmerens hoved være i den position, der er vist på fig. C. Hvis det ikke er tilfældet, skal du gøre følgende:

- ◆ Tryk på justeringsknappen (6).
- ◆ Drej skaffet (7), mens knappen slippes.
- ◆ Når hovedet er i position, låser knappen på plads.

**Bemærk:** Skaffet vil kun rotere i én retning.

### Justering af apparatets højde (fig. D)

Dette apparat har en teleskopisk mekanisme, så du kan indstille det til den mest behagelige højde. Der er tre højdeindstillinger. Gør følgende for at justere højdeindstillingen:

- ◆ Tryk på justeringsknappen (6).
- ◆ Træk forsigtigt skaffet (7) ud af motorhuset (16) til den ønskede højde, mens knappen slippes.

- ◆ Når skaffet er i position, låser knappen på plads.

## Start og stop

- ◆ Tænd for apparatet ved at trykke på udløserarmen (1).
- ◆ Sluk for apparatet ved at slippe udløserarmen.

**Advarsel!** Forsøg aldrig at fastlåse udløserarmen på positionen tændt.

## Gode råd til optimalt brug

### Generelt

- ◆ Hvis du vil opnå optimale klippersresultater, skal du kun klippe, når græsset er tørt.

### Trimning

- ◆ Hold apparatet som vist på fig. B.
- ◆ Sving trimmeren blødt fra side til side.
- ◆ Hvis du arbejder i højt græs, skal du slå det i flere omgange fra toppen. Tag små afskæringer ad gangen.
- ◆ Hold apparatet væk fra hårde genstande og sarte planter.
- ◆ Hvis apparatet begynder at køre langsomt, skal belastningen reduceres.

### Kantklipning

Du opnår de mest optimale klippingsresultater på kanter, der er dybere end 50 mm.

- ◆ Brug ikke apparatet til at lave kanter med. Brug i stedet en kantspade.
- ◆ Før apparatet som vist på fig. C.
- ◆ Stil apparatet skråt, hvis du vil lave en tættere klipping.

### Montering af en ny trimmertråd-spole (fig. E & G)

Nye spoler med trimmertråd kan fås hos din Black & Decker-forhandler (kat. nr. A6495).

- ◆ Hold tapperne (17) inne, og fjern spoledækslet (18) fra huset (10).
- ◆ Fjern den tomme spole (19) fra spolet huset.
- ◆ Fjern al snavs og græs fra spoledækslet og -huset.
- ◆ Placer den nye spole på navet i spolet huset med trådene parkeret i rillerne (23) (fig. F).
- ◆ Før snorene gennem de passende øjer (20) i hovedet (10). Træk i trimmertråden, til den er fjernet fra de riller, hvor den er placeret (23) (fig. G).
- ◆ Tilpas tapperne (17) på spoledækslet til hullerne (21) i hovedet.
- ◆ Skub dækslet (18) på hovedet (10), indtil det klikker sikkert på plads.

**Bemærk:** Sørg for, at dækslet er placeret ordentligt. Lyt efter to hørbare klik, så du er sikker på, at begge tapper (17) sidder hvor de skal.

**Advarsel!** Hvis trimmertrådene stikker ud på den anden side af skærebladet på trimmeren (9), skal de skæres af, så de netop når skærebladet.

### Sådan sno en ny tråd på en tom spole (fig. H - J)

Du kan sno en ny trimmertråd på en tom spole. Nye pakker med trimmertråd kan fås hos din Black & Decker-forhandler (cat. no. A6171).

- ◆ Fjern den tomme spole fra apparatet som beskrevet ovenfor.
- ◆ Fjern al resterende trimmertråd fra spolen.
- ◆ Vind den nye tråd på den yderste del af spolen først:
  - Stik 2 cm af trimmertråden ind i en af rillerne i den øverste del af spolen som vist.
  - Sno trimmertråden på spolen i pilens retning. Sørg for at sno tråden pænt og i lag. Lav ikke vindinger på kryds og tværs.
  - Når den vundne trimmertråd er nået til markeringerne (22), skæres tråden af.
  - Sæt midlertidigt tråden ind i rillerne (23) på den ene side af spolen som vist.
- ◆ Gentag ovenstående procedure for den anden trimmertråd på den nederste del af spolen. Parkér tråden i de ubenyttede riller (23).
- ◆ Fortsæt som beskrevet ovenfor med at sætte spolen på apparatet. Glem ikke at løsne trimmertråden fra de riller, hvor den er placeret (23).

**Advarsel!** Brug kun den rigtige type trimmertråd fra Black & Decker. Sørg for, at der er trimmertråd i begge dele af spolen.

### Fejlfinding

Hvis værktøjet ikke virker korrekt, skal du gøre følgende. Hvis dette ikke løser problemet, kontakt et Black & Decker servicecenter.

**Advarsel!** Afbryd værktøjet, før du fortsætter.

### Apparatet kører langsomt

- ◆ Kontrollér, at spolehuset kan rotere frit. Rens det eventuelt.
- ◆ Kontrollér, at trimmertråden ikke stikker mere end 11 cm ud fra spolehuset. Hvis det er tilfældet, skal den skæres af, så den netop når skærebladet til trimmertråden.

### Den automatiske trådføder virker ikke

- ◆ Hold knapperne inde, og fjern spoledækslet fra huset.
- ◆ Træk i trimmertråden, til den stikker 11 cm ud fra huset. Hvis der ikke er tilstrækkelig meget tråd på spolen, skal du indsætte en ny spole trimmertråd som beskrevet ovenfor.
- ◆ Tilpas knapperne på spoledækslet til hullerne i huset.
- ◆ Skub dækslet på huset, indtil det klikker sikkert på plads.
- ◆ Hvis trimmertråden stikker ud på den anden side af skærebladet på trimmeren, skal den skæres af, så den netop når skærebladet.

Hvis den automatiske trådføder stadig ikke virker, eller hvis spolen er blokeret, kan du prøve følgende:

- ◆ Rens omhyggeligt spoledækslet og -huset.
- ◆ Fjern spolen, og kontrollér, at armen kan bevæge sig frit.
- ◆ Fjern spolen, og sno trimmertråden af. Vind den derefter pænt på spolen igen som beskrevet ovenfor. Sæt spolen på plads igen som beskrevet.

### Vedligeholdelse

Dit el-/batteridrevne Black & Decker apparat/værktøj er designet til at være i drift i lang tid og med minimal vedligeholdelse. Fortsat tilfredsstillende anvendelse afhænger af, at værktøjet behandles korrekt og gøres rent med regelmæssige mellemrum.

**Advarsel!** Før der udføres vedligeholdelse af el-/batteridrevne apparater:

- ◆ Sluk for apparatet/værktøjet og træk stikket ud af kontakten.
- ◆ Eller sluk og fjern batteriet fra apparatet/værktøjet, hvis apparatet/værktøjet har et separat akkumulatorbatteri.
- ◆ Aflad ellers batteri helt, hvis det er integreret, og sluk derefter.
- ◆ Tag opladeren ud af stikkontakten før rengøring. Opladeren kræver ingen anden vedligeholdelse end regelmæssig rengøring.
- ◆ Rengør regelmæssigt apparatets/værktøjets ventilationshuller og oplader med en blød børste eller en tør klud.
- ◆ Man skal regelmæssigt gøre motorhuset rent med en fugtig klud. Man må ikke bruge rensmidler med slibemidler eller opløsningsmidler.
- ◆ Man skal regelmæssigt åbne patronen og banke den let for at fjerne støv fra dens indre (når den er installeret).

### Beskyttelse af miljøet



Separat indsamling. Dette produkt må ikke bortskaffes sammen med almindeligt husholdningsaffald.

Hvis du en dag skal udskifte dit Black & Decker produkt, eller hvis du ikke skal bruge det længere, må du ikke bortskaffe det sammen med husholdningsaffald. Dette produkt skal være tilgængeligt for separat indsamling.



Separat indsamling af brugte produkter og emballage gør det muligt at genbruge materialer. Genbrugte materialer forebygger miljøforurening og nedbringer behovet for råstoffer.

Lokale regler kan give mulighed for separat indsamling af elektriske husholdningsprodukter på kommunale lossepladser eller hos den forhandler, som du købte produktet af.

Black & Decker har en facilitet til indsamling og genbrug af Black & Decker-produkter, når deres levetid er slut. Få fordelene ved denne service ved at returnere produktet til en autoriseret tekniker, der samler værktøj sammen på vores vegne.

Du kan få oplyst den nærmeste autoriserede tekniker ved at kontakte det lokale Black & Decker-kontor på den adresse, der er angivet i denne brugsanvisning. Alternativt findes der en liste over autoriserede Black & Decker-teknikere og oplysninger om vores eftersalgsservice og kontaktpersoner på Internettet på adressen: [www.2helpU.com](http://www.2helpU.com)

#### Tekniske data

|                     |                   | GL701    | GL710    | GL716    |
|---------------------|-------------------|----------|----------|----------|
|                     |                   | TYPE 3-5 | TYPE 3-5 | TYPE 3-5 |
| Spænding            | $V_{AC}$          | 230      | 230      | 230      |
| Motoreffekt         | W                 | 550      | 520      | 580      |
| Ubelastet hastighed | $\text{min}^{-1}$ | 6.500    | 6.500    | 6.500    |
| Vægt                | kg                | 3,2      | 3,2      | 3,2      |

|                     |                   | GL720    | GL741    |
|---------------------|-------------------|----------|----------|
|                     |                   | TYPE 3-5 | TYPE 3-5 |
| Spænding            | $V_{AC}$          | 230      | 230      |
| Motoreffekt         | W                 | 600      | 700      |
| Ubelastet hastighed | $\text{min}^{-1}$ | 6.500    | 6.500    |
| Vægt                | kg                | 3,2      | 3,2      |

Hånd/arm-vektet vibrationsverdi i henhold til EN 786: < 2,5  $\text{m/s}^2$   
usikkerhed (K) = 1.5  $\text{m/s}^2$

## EU overensstemmelseserklæring

MASKINDIREKTIV  
DIREKTIV FOR UDENDØRSSTØJ



GL701/GL710/GL716/GL720/GL741

Black & Decker erklærer, at disse produkter, beskrevet under "tekniske data", overholder følgende:  
98/37/EC (indtil Dec. 28, 2009), 2006/42/EC  
(fra Dec. 29, 2009), EN 60335-1, EN 60335-2-91

2000/14/EF, Plæneklipper,  $L \leq 50$  cm, Annex VIII  
KEMA Quality B.V., Utrechtseweg 310, 6802 ED Arnhem,  
Nederlandene  
Notified Body ID No.: 0344

Niveau for akustisk kraft i overensstemmelse med 2000/14/EF  
(Artikel 12, Annex III,  $L \leq 50$  cm):  
 $L_{WA}$  (målt akustisk kraft) 95 dB(A)  
usikkerhed (K) = 3 dB(A)  
 $L_{WA}$  (garanteret akustisk kraft) 96 dB(A)  
usikkerhed (K) = 3 dB(A)

Disse produkter er også i overensstemmelse med direktiv  
2004/108/EF. For mere information, kontakt venligst  
Black & Decker på følgende adresse eller på adressen  
bagerst i brugsanvisningen.

Undertegnede er ansvarlig for kompilering af den tekniske fil  
og laver denne deklaration på vegne af Black & Decker.

Kevin Hewitt  
Vice-President Global Engineering  
Black & Decker Europe, 210 Bath Road, Slough,  
Berkshire, SL1 3YD  
Storbritannien  
1-10-2009

UK-patentansøgningsnummer: 059745.6

EU mønsteransøgningsnummer: 340385-0001 & 339544-0001

## Reserve dele / reparationer

Reserve dele kan købes hos autoriserede Black & Decker serviceværksteder, som giver forslag til omkostninger og reparerer vore produkter. Oversigt over vore autoriserede værksteder findes på internettet på vor hjemmeside [www.blackanddecker.dk](http://www.blackanddecker.dk) samt [www.2helpU.com](http://www.2helpU.com)

## Garanti

Black & Decker garanterer, at produktet er fri for materielle skader og/eller fabrikationsfejl ved levering til kunden. Garantien er et tillæg til konsumentens lovlige rettigheder og påvirker ikke disse. Garantien gælder indenfor medlemsstaterne af den Europæiske Union og i det Europæiske Frihandelsområde.

Hvis et Black & Decker produkt går i stykker på grund af materiel skade og/eller fabrikationsfejl eller på anden måde ikke fungerer i overensstemmelse med specifikationen, inden for 24 måneder fra købsdatoen, påtager Black & Decker sig at reparere eller ombytte produktet med mindst muligt besvær for kunden.

Garantien gælder ikke for fejl og mangler, der er sket i forbindelse med:

- ◆ normal slitage
- ◆ uheldige følger efter unormal anvendelse af værktøjet
- ◆ overbelastning, hærværk eller overdrevent intensivt brug af værktøjet
- ◆ ulykkeshændelse

Garantien gælder ikke hvis reparationer er udført af nogen anden end et autoriseret Black & Decker værksted.

For at udnytte garantien skal produktet og købskvitteringen indleveres til forhandleren eller til et autoriseret værksted, senest 2 måneder efter at fejlen opdages. For information om nærmeste autoriserede værksted: kontakt det lokale Black & Decker kontor på den adresse som er opgivet i brugsanvisningen. Liste over alle autoriserede Black & Decker serviceværksteder samt servicevilkår er tilgængelig på internettet, på adressen [www.2helpU.com](http://www.2helpU.com)

Gå venligst ind på vores website [www.blackanddecker.dk](http://www.blackanddecker.dk) for at registrere dit nye produkt og for at blive holdt ajour om nye produkter og specialtilbud. Der findes yderligere oplysninger om mærket Black & Decker og vores produktsortiment på adressen [www.blackanddecker.dk](http://www.blackanddecker.dk)

## Käyttötarkoitus

Black & Decker -viimeistelyleikkuri on suunniteltu nurmikon reunojen viimeistelyyn ja nurmikon leikkaukseen ahtaissa paikoissa. Laitte on tarkoitettu ainoastaan kuluttajan käyttöön.

## Turvaohjeet

**Varoitus!** Sähkötyökaluja käytettäessä on aina noudatettava mm. seuraavia turvaohjeita, jotta tulipalojen, sähköiskujen, henkilövahinkojen ja materiaaliavurioiden riski olisi mahdollisimman pieni.

- ◆ Lue käyttöohje huolellisesti ennen laitteen käyttöönottoa.
- ◆ Koneen käyttötarkoitus kuvataan tässä käyttöohjeessa. Käytä laitetta ainoastaan sellaiseen työhön, johon se on tarkoitettu, ja käytä vain tässä käyttöohjeessa suositeltuja lisävarusteita ja lisälaitteita. Ohjeesta poikkeava käyttö voi aiheuttaa onnettomuuden.
- ◆ Säilytä käyttöohje tulevaa tarvetta varten.

## Laitteen käyttö

Ole aina huolellinen käyttäessäsi laitetta.

- ◆ Käytä aina suojalaseja.
- ◆ Älä anna lasten tai kenenkään, joka ei ole lukenut tätä käyttöohjetta, käyttää laitetta.
- ◆ Älä anna lasten tai eläinten tulla lähelle työskentelyaluetta tai koskea koneeseen tai sähköjohtoon.
- ◆ Jos konetta käytetään lasten läheisyydessä, on välttämätöntä olla tarkkaavainen.
- ◆ Tätä laitetta ei ole tarkoitettu nuorten henkilöiden käyttöön tai vaivaisten henkilöiden käyttöön ilman valvontaa.
- ◆ Laitteella ei saa leikkiä.
- ◆ Käytä laitetta vain päivänvalossa tai hyvässä keinovalaisuksessa.
- ◆ Käytä laitetta ainoastaan kuivassa paikassa.  
Älä anna laitteen kastua.
- ◆ Älä upota laitetta veteen.
- ◆ Älä avaa ulkokuorta. Laitteen sisällä ei ole käyttäjän huollettavissa olevia osia.
- ◆ Älä työskentele laitteella räjähdysalttiissa ympäristössä, jossa on palavaa nestettä, kaasua tai pölyä.
- ◆ Älä koskaan vedä virtajohtosta irrottaaksesi pistokkeen pistorasiasta niin, ettei pistoke tai virtajohto vaurioidu.

## Muiden turvallisuus

- ◆ Henkilöt (lapset mukaan lukien), joilla on fyysisiä, tunnollisia tai henkisiä rajoituksia tai rajallinen kokemus ja tuntemus, eivät saa käyttää tätä laitetta ellei heidän turvallisuudesta vastaava henkilö valvo tai ohjaa heitä laitteen käytössä.
- ◆ Lapsia on valvottava, etteivät he leiki laitteen kanssa.

## Käytön jälkeen

- ◆ Kun laite ei ole käytössä, sitä tulee säilyttää kuivassa paikassa ja lasten ulottumattomissa.
- ◆ Varmista, että lapset eivät pääse käsiksi laitteisiin.
- ◆ Kun laitetta säilytetään tai kuljetetaan ajoneuvossa, se tulee asettaa tavaratilaan tai se tulee kiinnittää paikoilleen sen liikkumisen estämiseksi ajoneuvon nopeuden tai suunnan muuttuessa.

## Tarkastus ja korjaukset

- ◆ Tarkista ennen käyttöä, ettei laitteessa ole vaurioita tai viallisia osia. Tarkista, ettei laitteessa ole rikkinäisiä osia tai muita seikkoja, jotka saattavat vaikuttaa sen toimintaan.
- ◆ Älä käytä laitetta, jos jokin sen osista on viallinen.
- ◆ Viallinen osa tulee korjata tai vaihtaa valtuutetussa huoltoliikkeessä.
- ◆ Älä koskaan yritä irrottaa tai vaihtaa sellaisia osia, joista ei ole mainintaa tässä oppaassa.

## Jatkojohdon käyttö

Käytä aina oikeanlaista jatkojohtoa, joka sopii tämän laitteen virransyöttöliitäntään (katso tekniset tiedot). Jatkojohdon tulee olla ulkokäyttöön tarkoitettu ja merkitty myös siten. Jopa 30 m:n pituista jatkojohtoa (1,5 mm<sup>2</sup> HO5VV-F) voidaan käyttää ilman, että laitteen teho vähenisi. Tarkista jatkojohto ennen käyttöä vaurioiden, vanhenemisen tai kulumisen varalta. Vaihda vaurioitunut tai viallinen sähköjohto. Jos käytät jatkojohtokelaa, kelaa johto aina täysin auki.

## Viimeistelyleikkurin lisäturvallisuusohjeet

**Varoitus!** Leikkaavien osien pyöriminen jatkuu senkin jälkeen, kun moottori on sammutettu.

- ◆ Tutustu hallintalaitteisiin ja niiden toimintoihin.
- ◆ Tarkista ennen käyttöä, että sähköjohto ja jatkojohto ei ole vaurioitunut, vanhentunut tai kulunut. Jos virtajohto vahingoittuu käytön aikana, kytke se välittömästi irti virtalähteestä. ÄLÄ KOSKETA VIRTALÄHTEISTÄ.
- ◆ Älä käytä laitetta, mikäli johdot ovat vialliset tai kuluneet.
- ◆ Suojele jalkojasi käyttämällä tukevia kenkiä tai saappaita.
- ◆ Käytä pitkiä housuja suojataksesi jalkoja.
- ◆ Tarkista ennen laitteen käyttöä, ettei työskentelyalueella ole oksia, kiviä, metallilankaa tai muita esteitä.
- ◆ Käytä laitetta vain pystysuorassa asennossa leikkuulanka lähellä maata. Älä koskaan käynnistä laitetta missään muussa asennossa.
- ◆ Liiku hitaasti, kun käytät laitetta. Muista, että juuri leikattu ruoho on kosteaa ja liukasta.
- ◆ Älä työskentele jyrkissä rinteissä. Työskentele rinteiden leveydeltä, älä ylös ja alas rinnettä.
- ◆ Älä koskaan kuljeta laitetta sora- tai hiekkateiden yli laitteen ollessa käynnissä.



- ◆ Älä koskaan kosketa leikkuulankaa laitteen ollessa käynnissä.
- ◆ Älä laita laitetta maahan, ennen kuin leikkuulanka on pysähtynyt täysin.
- ◆ Käytä ainoastaan oikean tyyppistä leikkuulankaa. Älä koskaan käytä metallista leikkuulankaa tai ongensiimaa.
- ◆ Älä koske langan leikkuuterään.
- ◆ Pidä sähköjohto pois leikkuulangan tieltä. Varmista, että tiedät aina johdon sijainnin.
- ◆ Pidä kädet ja jalat poissa leikkuulangan tieltä etenkin silloin, kun moottori käynnistetään.
- ◆ Tarkista laite kulumisen tai vaurioiden varalta ennen työn aloittamista ja iskujen jälkeen. Korjaa puutteet ennen työn jatkamista.
- ◆ Älä koskaan käytä laitetta, jos jokin suoja on vaurioitunut tai ei ole paikallaan.
- ◆ Varo, ettei mikään filamenttiinjan pituutta viimeistelevä laite aiheuta henkilövahinkoja. Kun olet pidentänyt uutta leikkuulankaa, aseta laite aina takaisin normaaliin käyttöasentoon ennen käynnistämistä.
- ◆ Varmista, että tuuletusaukot ovat puhtaita.
- ◆ Älä käytä numikon viimeistelyleikkuria (reunan leikkuria), jos johdot ovat vaurioituneet tai kuluneet.
- ◆ Pidä jatkojohdot pois leikkaavista osista.

### Laitteen merkit

Laitteessa on seuraavat varoitusmerkit:



Lue käyttöohje huolellisesti ennen laitteen käyttöönottoa.



Käytä suojalaseja laitetta käyttäessäsi.



Työskentele vähintään 6 m:n etäisyydellä ihmisistä ja eläimistä.



Älä altista laitetta sateelle tai kosteudelle.

### Sähköturvallisuus



Tämä laite on kaksoiseristetty, joten erillistä maadoitusta ei tarvita. Tarkista aina, että virtalähde vastaa arvokilvessä ilmoitettua jännitettä.

- ◆ Jos sähköjohto on vaurioitunut, se saadaan vaihtaa vain valtuutetussa Black & Deckerin huoltoliikkeessä vaaratilanteiden välttämiseksi.

### Ominaisuudet

Tämä laite sisältää joitakin tai kaikki seuraavista ominaisuuksista.

1. Virranatkaisija

2. Kädensija
3. Johtopidätin
4. Virransyöttöliitäntä
5. Lisäkädensija
6. Säättönäppäin
7. Letku
8. Suoja
9. Langan leikkuuterä
10. Kelakotelo
11. Leikkuulanka
12. Reunaohjain

### Kokoaminen

**Varoitus!** Varmista ennen kokoamista, että laite on kytketty pois päältä eikä sitä ole liitetty virtalähteeseen.

### Suojan kiinnittäminen (kuva A)

- ◆ Irrota kuusiokoloruuvit (13) päästä (14).
- ◆ Aseta suoja (8) laitteeseen kuvan osoittamalla tavalla.
- ◆ Paina suojaa lujasti, kunnes se napsahtaa paikalleen.
- ◆ Kiinnitä suoja kuusiokoloruuveilla.
- ◆ Kiristä kuusiokoloruuvit laitteen mukana toimitetulla kuusiokoloavaimella (15).

**Varoitus!** Älä koskaan käytä laitetta, jos suoja ei ole kiinnitetty oikein paikalleen.

### Leikkuulangan vapauttaminen

Leikkuulanka on teipattu kiinni kelakoteloon kuljetuksen ajaksi.

- ◆ Irrota leikkuulangan (11) kelakoteloon (10) kiinnittävä teippi.

### Laitteen liittäminen verkkovirtaan

- ◆ Kiinnitä sopivan jatkojohdon naarasliitin virransyöttöliitäntään (4).
- ◆ Kierrä johto johdonpidättimen (3) kautta.
- ◆ Kytke pistoke virtalähteeseen.

**Varoitus!** Jatkojohdon tulee olla ulkikäyttöön tarkoitettu.

### Jäännösriskit.

Jäännösriskit ovat mahdollisia, jos käytät työkalua muulla kuin turvavaroituksissa mainitulla tavalla. Nämä riskit voivat liittyä muun muassa virheelliseen tai pitkäaikaiseen käyttöön.

Tiettyjä jäännösriskejä ei voi välttää, vaikka noudatdat kaikkia turvamaääräyksiä ja käytät turvalaitteita. Näihin kuuluvat muun muassa:

- ◆ pyörivien tai liikkuvien osien koskettamisen aiheuttamat vahingot.
- ◆ osia, teriä tai lisävarusteita vaihdettaessa aiheutuneet vahingot.
- ◆ työkalun pitkäaikaisen käytön aiheuttamat vahingot  
Kun käytät työkalua pitkään, varmista, että pidät säännöllisesti taukoja.
- ◆ kuulovauriot.

- ◆ työkalua käytettäessä (esimerkiksi puuta, erityisesti tammea, pyökkiä ja MDF-levyjä, käsiteltäessä) syntyneen pölyn sisäänhengityksen aiheuttamat terveysriskit.

## Käyttö

**Varoitus!** Anna koneen käydä omaan tahtiinsa.

Älä ylikuormita sitä.

## Laitteen asettaminen viimeistely- tai reunaleikkuuasentoon (kuva B - D)

Laitetta voidaan käyttää joko viimeistelyyn kuten kuvassa B tai reunaleikkuuseen ruohon leikkaamiseksi nurmikon ja kukkapenkien reunoilta kuten kuvassa C.

## Viimeistely (kuva B & D)

Viimeistelyä varten leikkuupään tulee olla kuvan B mukaisessa asennossa. Jos näin ei ole, toimi seuraavasti:

- ◆ Paina säätönäppäintä (6).
- ◆ Kierrä letkua (7) samalla kun vapautat näppäimen.
- ◆ Kun leikkuupää on kohdallaan, painike lukkiutuu paikalleen.

Huomautus: Letku kiertyy vain yhteen suuntaan.

## Reunaleikkutila (kuva C & D)

Reunaleikkutila varten leikkuupään tulee olla kuvan C mukaisessa asennossa. Jos näin ei ole, toimi seuraavasti:

- ◆ Paina säätönäppäintä (6).
- ◆ Kierrä letkua (7) samalla kun vapautat näppäimen.
- ◆ Kun leikkuupää on kohdallaan, painike lukkiutuu paikalleen.

**Huomautus:** Letku kiertyy vain yhteen suuntaan.

## Laitteen korkeuden säätäminen (kuva D)

Tässä laitteessa on teleskooppivarsi, jonka ansiosta voit säätää sen itsellesi sopivaan korkeuteen. Laitteessa on kolme korkeusasetusta. Säädä korkeusasetusta seuraavalla tavalla:

- ◆ Paina säätönäppäintä (6).
- ◆ Vedä letku varovasti (7) ulos moottorikotelosta (16) sopivan korkeuden säätämiseksi. Paina samalla säätönäppäintä.
- ◆ Kun letku on kohdallaan, näppäin lukkiutuu paikalleen.

## Käynnistys ja pysäytys

- ◆ Käynnistä laite painamalla virrankatkaisijaa (1).
- ◆ Sammuta laite päästämällä irti virrankatkaisijasta.

**Varoitus!** Älä koskaan yritä lukita virrankatkaisijaa käynnistysasentoon.

## Vinkkejä parhaimman tuloksen saamiseksi

### Yleiset tiedot

- ◆ Paras leikkuutulos saadaan leikkaamalla kuivaa ruohoa.

## Viimeistely

- ◆ Pidä laitetta kuten kuvassa B.
- ◆ Käännä kevyesti leikkuria puolelta toiselle.
- ◆ Leikkaa pitkää ruohoa asteittain ylhäältä lähtien. Leikkaa vain vähän kerrallaan.
- ◆ Vältä kovia esineitä tai hentoja kasveja.
- ◆ Jos laite alkaa käydä hitaasti, vähennä kuormitusta.

## Reunaleikkuu

Parhaimman tuloksen saa reunoissa, jotka ovat yli 50 mm syviä.

- ◆ Älä tee reunoja laitteella. Tee reunat käyttäen sopivaa lapiota.
- ◆ Ohjaa laitetta kuten kuvassa C.
- ◆ Jos haluat leikata lähempää, kallista laitetta hieman.

## Uuden lankakelan kiinnittäminen (kuva E & G)

Uusia lankakeloja myyvät Black & Decker -tuotteiden jälleenmyyjät (tuotenumero A6495).

- ◆ Pidä kielekkeitä (17) painettuna ja poista kelan suojuus (18) kotelosta (10).
- ◆ Poista tyhjä kela (19) kelakotelosta.
- ◆ Poista kaikki lika ja ruoho kelan suojuksesta ja kotelosta.
- ◆ Aseta uusi puola puolakotelon kohoumaan niin, että langat ovat koloissa (23) (kuva F).
- ◆ Aseta langan päät vastaavan silmäaukon (20) läpi koteloon (10). Vedä löysää lankaa kunnes se tulee ulos koloista (23) (kuva G).
- ◆ Kohdista kelan suojuksen kielekkeet (17) kotelon reikiin (21).
- ◆ Paina suojuus (18) koteloon (10), kunnes se napsahtaa kiinni paikalleen.

**Huomautus:** Varmista, että suojuus on asennettu paikalleen, molemmat kielekkeet (17) on asetettu oikeaan kohtaan silloin, kun ne napsahtavat paikalleen.

**Varoitus!** Jos leikkuulankaa ylettyy leikkuuterän (9) yli, leikkaa lanka lyhyemmäksi niin, että se on terän kohdalla.

## Uuden langan kiertäminen tyhjään kelaan (kuva H - J)

Tyhjään kelaan on mahdollista kiertää uusi leikkuulanka. Lankapakkauksia myyvät Black & Decker -tuotteiden jälleenmyyjät (tuotenumero A6171).

- ◆ Poista tyhjä kela laitteesta edellä mainittujen ohjeiden mukaisesti.
- ◆ Poista kaikki vanha leikkuulanka kelasta.
- ◆ Kierrä uusi lanka ensin kelan ylimmääseen osaan:
  - Syötä 2 cm leikkuulankaa johonkin kelan yläosan urista kuvan mukaisesti.
  - Kierrä leikkuulanka kelaan nuolen suuntaan. Kierrä lankaa tasaisesti eri kerroksiin. Älä kierrä sitä ristiin.

- Kun leikkuulankaa on kierretty syvennykseen (22) asti, katkaise lanka.
- Aseta lanka väliaikaisesti uriin (23) kelan toisella puolella kuvan mukaisesti.
- ◆ Toista edellinen toimenpide toiselle leikkuulangalle kiertämällä se kelan alaosaan. Aseta lanka väliaikaisesti vapaana oleviin uriin (23).
- ◆ Kiinnitä kela laitteeseen edellä mainittujen ohjeiden mukaisesti. Muista irrottaa leikkuulanka urista (23).

**Varoitus!** Käytä vain Black & Deckerin suosittelemaa leikkuulankaa. Varmista, että kelan molemmissa osissa on leikkuulankaa.

## Vianmääritys

Jos kone ei näytä toimivan oikein, noudata seuraavia ohjeita. Jos kone ei tästä huolimatta toimi, ota yhteyttä valtuutettuun Black & Deckerin huoltopisteeseen.

**Varoitus!** Irrota kone virtalähteestä, ennen kuin jatkat.

## Laite toimii hitaasti

- ◆ Tarkista, että kelan kotelo pääsee pyörimään esteettä. Puhdista se varovasti tarvittaessa.
- ◆ Tarkista, että leikkuulankaa ei tule ulos kelan kotelosta yli 11 cm. Jos tulee, katkaise lanka niin, että se tulee lähemmäksi leikkuuterää.

## Automaattinen langansyöttö ei toimi

- ◆ Pidä kielekkeitä painettuna ja poista kelan suojus kotelosta.
- ◆ Vedä leikkuulankaa, kunnes sitä tulee ulos kotelosta 11 cm. Jos kelalla ei ole tarpeeksi leikkuulankaa, asenna uusi leikkuulankakela edellä mainittujen ohjeiden mukaan.
- ◆ Kohdista kelan suojuksen kielekkeet kotelon reikiin.
- ◆ Paina suojus koteloon, kunnes se napsahtaa paikoilleen.
- ◆ Jos leikkuulankaa tulee ulos leikkuuterän yli, katkaise lanka niin, että se juuri saavuttaa terän.

Jos automaattinen langansyöttö ei vielääkään toimi tai kela on jumissa, kokeile seuraavia toimenpiteitä:

- ◆ Puhdista kelan suojus ja kotelo huolellisesti.
- ◆ Poista kela ja tarkista, että sen vipu pääsee liikkumaan esteettä.
- ◆ Poista kela, pura leikkuulanka kelalta ja kierrä se sitten tasaisesti takaisin edellä mainittujen ohjeiden mukaisesti. Aseta kela takaisin paikoilleen edellä mainittujen ohjeiden mukaisesti.

## Huolto

Black & Deckerin langallinen/langaton laite/työkalu on suunniteltu toimimaan mahdollisimman pitkän aikaa mahdollisimman vähällä huollolla. Asianmukainen käyttö ja säännönmukainen puhdistus takaavat laitteen jatkuvan tyydyttävän toiminnan.

**Varoitus!** Ennen langallisen/langattoman työkalun huoltoa:

- ◆ Kytke laite/työkalu pois päältä ja irrota pistoke pistorasiasta.
- ◆ Tai kytke laite pois päältä ja irrota akku laitteesta/työkalusta, jos laitteessa/työkalussa on erillinen akku.
- ◆ Tai kuluta akku kokonaan loppuun, jos akku on integroitu laitteeseen ja kytke laite sen jälkeen pois päältä.
- ◆ Irrota laturi virtalähteestä ennen puhdistamista. Laturi ei tarvitse säännöllisen puhdistamisen lisäksi mitään muuta huoltoa.
- ◆ Puhdista työkalun/laitteen/laturin tuuletusaukot säännöllisesti pehmeällä harjalla tai kuivalla siivousliinalla.
- ◆ Puhdista työkalun kuori säännöllisesti kostealla siivousliinalla. Älä koskaan käytä puhdistamiseen liuotainaineita tai syövyttäviä puhdistusaineita.
- ◆ Avaa istukka säännöllisin väliajoin ja kopauta sitä pölyjen poistamiseksi sisältä (jos asennettu).

## Ympäristö



Erillinen keräys. Tätä tuotetta ei saa hävittää normaalin kotitalousjätteen kanssa.

Kun Black & Decker -koneesi on käytetty loppuun, älä hävitä sitä kotitalousjätteen mukana. Tämä tuote on kerättävä erikseen.



Käytettyjen tuotteiden ja pakkausten erillinen keräys mahdollistaa materiaalien kierrätyksen ja uudelleenkäytön. Kierrätettyjen materiaalien uudelleenkäyttö auttaa ehkäisemään ympäristön saastumisen ja vähentää raaka-aineiden kysyntää.

Paikallisten säännösten mukaisesti on mahdollista viedä kotitalouksien sähkölaitteet kuntien kaatopaikoille tai jättää ne vähittäismyyjälle ostettaessa uusi tuote.

Black & Decker tarjoaa mahdollisuuden Black & Decker -tuotteiden keräykseen ja kierrätykseen sen jälkeen, kun ne on poistettu käytöstä. Jotta voisit hyötyä tästä palvelusta, palauta laitteesi johonkin valtuutettuun huoltoliikkeeseen, joka kerää laitteet meidän puolestamme.

Voit tarkistaa lähimmän valtuutetun huoltoliikkeen sijainnin ottamalla yhteyden Black & Deckerin toimistoon, joka sijaitsee tässä käsikirjassa annettussa osoitteessa. Lista valtuutetuista Black & Decker -huoltoliikkeistä sekä yksityiskohtaiset tiedot korjauspalvelustamme ovat vaihtoehtoisesti saatavilla Internetissä, osoitteessa [www.2helpU.com](http://www.2helpU.com)

**Tekniset tiedot**

|                       |                   | GL701<br>TYPE 3-5 | GL710<br>TYPE 3-5 | GL716<br>TYPE 3-5 |
|-----------------------|-------------------|-------------------|-------------------|-------------------|
| Jännite               | V <sub>AC</sub>   | 230               | 230               | 230               |
| Ottoteho              | W                 | 550               | 520               | 580               |
| Kuormittamaton nopeus | min <sup>-1</sup> | 6.500             | 6.500             | 6.500             |
| Paino                 | kg                | 3,2               | 3,2               | 3,2               |

|                       |                   | GL720<br>TYPE 3-5 | GL741<br>TYPE 3-5 |
|-----------------------|-------------------|-------------------|-------------------|
| Jännite               | V <sub>AC</sub>   | 230               | 230               |
| Ottoteho              | W                 | 600               | 700               |
| Kuormittamaton nopeus | min <sup>-1</sup> | 6.500             | 6.500             |
| Paino                 | kg                | 3,2               | 3,2               |

Käden painotettu värinäarvo EN 786:n mukaisesti: = 7,5 m/s<sup>2</sup> ,  
epävarmuus (K) = 1.5m/s<sup>2</sup> ,

**EU-vaatimustenmukaisuusvakuutus**

KONEDIREKTIIVI  
ULKOILMAMELUDIREKTIIVI



GL701/GL710/GL716/GL720/GL741

Black & Decker julistaa, että kohdassa "tekniset tiedot" kuvatut tuotteet noudattavat seuraavia:  
98/37/EY (28 Jouluk., 2009 asti), 2006/42/EY  
(29 Jouluk., 2009 alkaen), EN 60335-1, EN 60335-2-91

2000/14/EY, Nurmikonviimeistelijä, L ≤ 50 cm, Liite VIII  
KEMA Quality B.V., Utrechtseweg 310, 6802 ED Arnhem,  
Alankomaat  
Notified Body ID No.: 0344

Akustisen tehon taso 2000/14/EY  
(Artikkeli 12, Liite III, L ≤ 50 cm) mukainen:

L<sub>WA</sub> (mitattu ääniteho) 95 dB(A)  
epävarmuus (K) = 3 dB(A)  
L<sub>WA</sub> (taattu ääniteho) 96 dB(A)  
epävarmuus (K) = 3 dB(A)

Nämä tuotteet ovat myös direktiivin 2004/108/EY mukaisia.  
Lisätietoja saa Black & Decker -yhtiöltä seuraavasta osoitteesta tai käyttöoppaan takana olevia yhteistietoja käyttäen.

Allekirjoittava henkilö on vastuussa teknisen tiedoston täyttämisestä ja tekee tämän ilmoituksen Black & Decker -yhtiön puolesta.

Kevin Hewitt  
Vice-President Global Engineering  
Black & Decker Europe, 210 Bath Road, Slough,  
Berkshire, SL1 3YD  
Iso-Britannia  
1-10-2009

Iso-Britannian patenttihakemuksen numerot: 059745.6

EU-mallisuojahakemusnumerot: 340385-0001 & 339544-0001

## Korjaukset / varaosat

Mikäli koneeseen tulee vikaa, jätä se aina Black & Deckerin valtuuttamaan huoltoliikkeeseen korjattavaksi.

Varaosia myyvät valtuutetut Black & Deckerin huoltoliikkeet, ja heiltä voi myös pyytää kustannusarvion koneen korjauksesta.

Tiedot valtuutetuista huoltoliikkeistä löytyvät internetistä osoitteesta [www.2helpU.com](http://www.2helpU.com) sekä kotisivuiltamme [www.blackanddecker.fi](http://www.blackanddecker.fi)

## Takuu

Black & Decker Oy takaa, ettei koneessa ollut materiaali- ja/tai valmistusvikaa silloin, kun se toimitettiin ostajalle. Takuu on lisäys kuluttajan laillisiin oikeuksiin eikä vaikuta niihin. Takuu on voimassa Euroopan Unionin jäsenmaissa ja Euroopan vapaakauppa-alueella (EFTA).

Mikäli Black & Decker -kone hajoaa materiaali- ja/tai valmistusvirheen tai teknisten tietojen epätarkkuuden vuoksi 24 kk:n kuluessa ostopäivästä, Black & Decker korjaa koneen ilman kustannuksia ostajalle tai vaihtaa sen uuteen Black & Decker Oy:n valinnan mukaan.

Takuu ei kata vikoja, jotka johtuvat koneen

- ◆ normaalista kulumisesta
- ◆ ylikuormituksesta, virheellisestä käytöstä tai hoidosta
- ◆ vahingoittamisesta vieraalla esineellä tai aineella tai onnettomuustapauksessa.

Takuu ei ole voimassa, mikäli konetta on korjannut joku muu kuin Black & Deckerin valtuuttama huoltoliike.

Edellytyksenä takuun saamiselle on, että ostaja jättää koneen ja ostokuitin jälleenmyyjälle tai valtuutetulle huoltoliikkeelle viimeistään 2 kuukauden kuluessa vian ilmenemisestä.

Tiedot valtuutetuista huoltoliikkeistä saa ottamalla yhteyttä Black & Decker Oy:hyn sekä internetistä osoitteesta [www.2helpU.com](http://www.2helpU.com), jossa on myös takuuehdot.

Voit vieraila verkkosivuiltamme [www.blackanddecker.fi](http://www.blackanddecker.fi) rekisteröidäksesi uuden Black & Decker-tuotteesi ja saadaksesi tietoa uusista tuotteista ja erikoistarjouksista. Saat lisätietoja Black & Deckerin tavaramerkistä ja tuotevalikoimastamme osoitteesta [www.blackanddecker.fi](http://www.blackanddecker.fi)

## Ενδεξιμένη χρήση

Η μηχανή φινιρίσματος χόρτου της Black & Decker έχει σχεδιαστεί για το φινιρίσμα χόρτου και άκρων (μπορντούρα), καθώς και για την κοπή χόρτου σε περιορισμένους χώρους. Αυτή η συσκευή προορίζεται μόνο για ερασιτεχνική χρήση.

## Οδηγίες ασφαλείας

**Προειδοποίηση!** Όταν χρησιμοποιείτε ηλεκτρικά μηχανήματα, θα πρέπει να τηρείτε πάντα τις βασικές οδηγίες ασφαλείας, συμπεριλαμβανομένων και των παρακάτω, για να περιορίσετε τον κίνδυνο πυρκαγιάς, ηλεκτροπληξίας, σωματικών βλαβών και υλικών ζημιών.

- ◆ Πριν χρησιμοποιήσετε το μηχανήμα, διαβάστε προσεκτικά ολόκληρο το εγχειρίδιο.
- ◆ Η ενδεξιμένη χρήση περιγράφεται σε αυτό το εγχειρίδιο. Η χρήση οποιοδήποτε αξεσουάρ ή προσθήκης ή η απόδοση οποιασδήποτε λειτουργίας με αυτή τη συσκευή, εκτός αυτών που προτείνονται σε αυτό το εγχειρίδιο οδηγιών, εγκυμονεί κίνδυνο τραυματισμού.
- ◆ Φυλάξτε το εγχειρίδιο αυτό για να μπορείτε να ανατρέξετε σε αυτό στο μέλλον.

## Χρήση της συσκευής

Προσέχετε πάντα όταν χρησιμοποιείτε τη συσκευή.

- ◆ Να φοράτε πάντα προστατευτικά γυαλιά.
- ◆ Ποτέ μην επιτρέπετε σε μικρά παιδιά ή σε άτομα που δεν έχουν διαβάσει το εγχειρίδιο οδηγιών να χρησιμοποιήσουν τη συσκευή.
- ◆ Μην επιτρέπετε σε παιδιά ή ζώα να πλησιάζουν στο χώρο εργασίας ή να αγγίζουν τη συσκευή ή το καλώδιο τροφοδοσίας της.
- ◆ Όταν χρησιμοποιείτε τη συσκευή κοντά σε παιδιά, πρέπει να τα επιτηρείτε στενά.
- ◆ Αυτό το εργαλείο δεν πρέπει να χρησιμοποιηθεί από νέους ή ασταθές άτομα χωρίς επιτήρηση.
- ◆ Αυτή η συσκευή δεν πρέπει να χρησιμοποιηθεί ως παιχνίδι.
- ◆ Χρησιμοποιείτε το μηχανήμα μόνο στο φως της ημέρας ή σε επαρκές τεχνητό φως.
- ◆ Να χρησιμοποιηθεί μόνο σε στεγνές τοποθεσίες. Μην αφήνετε τη συσκευή να βραχεί.
- ◆ Μη βυθίζετε τη συσκευή σε νερό.
- ◆ Μην ανοίγετε το περίβλημα. Δεν υπάρχουν μέρη που μπορούν να επισκευαστούν από τον χρήστη στο εσωτερικό.
- ◆ Μη χρησιμοποιείτε τη συσκευή σε περιβάλλον όπου υπάρχει κίνδυνος έκρηξης, π.χ. παρουσία εύφλεκτων υγρών, αερίων ή σκόνης.
- ◆ Για τον περιορισμό του κινδύνου στο βύσμα ή καλώδιο, μην τραβάτε ποτέ το καλώδιο για να τραβήξετε το βύσμα από την υποδοχή.

## Ασφάλεια άλλων

- ◆ Αυτή η συσκευή δεν προσδιορίζεται για χρήση από άτομα (συμπεριλαμβανόμενα και τα παιδιά) με ελαττωμένες φυσικές, αισθητήριες και ψυχικές δυνατότητες, ή έλλειψη εμπειρίας και γνώσης, εκτός αν υπάρχει επιτήρηση ή οδηγίες για τη χρήση της συσκευής από έναν υπεύθυνο άτομο για την ασφάλεια τους.
- ◆ Τα παιδιά πρέπει να επιτηρηθούν για να βεβαιωθείτε ότι δεν παίζουν με το εργαλείο.

## Μετά τη χρήση

- ◆ Όταν δεν χρησιμοποιείται, η συσκευή πρέπει να αποθηκευτεί σε ξηρό και καλά αεριζόμενο χώρο, μακριά από τα παιδιά.
- ◆ Τα παιδιά δεν πρέπει να έχουν πρόσβαση στις αποθηκευμένες συσκευές.
- ◆ Όταν η συσκευή έχει αποθηκευτεί ή μεταφέρεται με ένα όχημα, πρέπει να τοποθετηθεί στο πορτ μπαγκάζ ή να δεθεί για να αποτραπεί η κίνηση που μπορεί να προκληθεί από ξαφνικές αλλαγές στη ταχύτητα ή κατεύθυνση.

## Έλεγχος και επισκευές

- ◆ Πριν τη χρήση, ελέγξτε τη συσκευή για τυχόν φαρμάνα ή ελαττωματικά εξαρτήματα. Ελέγξτε εάν έχουν σπάσει κομμάτια ή για άλλες καταστάσεις που μπορούν να επηρεάσουν τη λειτουργία.
- ◆ Μη χρησιμοποιείτε τη συσκευή εάν κάποιο εξάρτημά της έχει πάθει ζημιά ή παρουσιάζει ελάττωμα.
- ◆ Ζητήστε από εξουσιοδοτημένο συνεργείο σέρβις την επισκευή ή την αντικατάσταση όλων των φαρμαμένων ή ελαττωματικών εξαρτημάτων.
- ◆ Μην επιχειρήσετε ποτέ να αφαιρέσετε ή να αντικαταστήσετε εξαρτήματα εκτός αυτών που προσδιορίζονται σε αυτό το εγχειρίδιο.

## Χρήση καλώδιου προέκτασης

Να χρησιμοποιείτε πάντα εγκεκριμένο καλώδιο προέκτασης για την ηλεκτρική τροφοδοσία αυτής της συσκευής (δείτε τα τεχνικά στοιχεία). Η προέκταση πρέπει να είναι κατάλληλη για χρήση σε εξωτερικό χώρο και να φέρει ανάλογη σήμανση. Μπορεί να χρησιμοποιηθεί καλώδιο προέκτασης H05VV-F 1,5 mm<sup>2</sup>, μήκους έως και 30 m, χωρίς να μειωθεί η απόδοση του μηχανήματος. Πριν τη χρήση, ελέγξτε προσεκτικά το καλώδιο προέκτασης για σημάδια ζημιάς, φθοράς και παλαιώσης. Αντικαταστήστε το καλώδιο προέκτασης αν είναι κατεστραμμένο ή ελαττωματικό. Όταν χρησιμοποιείτε καρούλι καλώδιου, πάντα να ξετυλίγετε τελείως το καλώδιο.

## Πρόσθετες οδηγίες ασφαλείας για μηχανές φινιρίσματος χόρτου

**Προειδοποίηση!** Τα στοιχεία κοπής συνεχίζουν να περιστρέφονται μετά το σβήσιμο του κινητήρα.

- ◆ Εξοικειωθείτε με τα χειριστήρια και τη σωστή χρήση του μηχανήματος.
- ◆ Πριν από τη χρήση, ελέγξτε προσεκτικά το καλώδιο τροφοδοσίας και την προέκταση καλωδίου για σημάδια ζημιάς, παλαιώσης και φθοράς. Αν κάποιο καλώδιο φθαρεί κατά τη χρήση, αποσυνδέσετε αμέσως το καλώδιο ηλεκτρικού ρεύματος από την πρίζα. ΜΗΝ ΑΓΓΙΞΕΤΕ ΤΟ ΚΑΛΩΔΙΟ ΠΡΙΝ ΑΠΟΣΥΝΔΕΣΕΤΕ ΤΗ ΣΥΣΚΕΥΗ ΑΠΟ ΤΗΝ ΠΡΙΖΑ.
- ◆ Μη χρησιμοποιείτε τη συσκευή αν τα καλώδια εμφανίζουν ζημιές ή φθορά.
- ◆ Να φοράτε χοντρά υποδήματα ή μπότες για να προστατέψετε τα πόδια σας.
- ◆ Να φοράτε μακριά παντελόνια για να προστατέψετε τα πόδια σας.
- ◆ Πριν χρησιμοποιήσετε τη μηχανή, βεβαιωθείτε ότι στη διαδρομή κοπής σας δεν υπάρχουν κλαδιά, πέτρες, σύρματα ή οποιοδήποτε άλλο εμπόδιο.
- ◆ Χρησιμοποιείτε τη συσκευή μόνο στην κατακόρυφη θέση, με το νήμα κοπής κοντά στο έδαφος. Ποτέ μην ανάβετε τη μηχανή, εάν βρίσκεται σε οποιαδήποτε άλλη θέση.
- ◆ Να κινείστε αργά όταν χρησιμοποιείτε τη συσκευή. Να έχετε υπόψη σας ότι το φρεσκοκομμένο χόρτο είναι υγρό και γλιστερό.
- ◆ Μην εργάζεστε σε έδαφος με απότομες κλίσεις. Να κινείστε κατά το πλάτος της επικλινούς επιφάνειας και όχι πάνω και κάτω κατά τη διεύθυνση της κλίσης.
- ◆ Ποτέ μη διασχίζετε μονοπάτια με χαλίκια ή δρόμους όταν η συσκευή είναι σε λειτουργία.
- ◆ Ποτέ μην αγγίζετε το νήμα κοπής όταν η συσκευή είναι σε λειτουργία.
- ◆ Μην αφήνετε τη μηχανή στο έδαφος παρά μόνο εφόσον το νήμα κοπής έχει ακινητοποιηθεί εντελώς.
- ◆ Να χρησιμοποιείτε μόνο τον κατάλληλο τύπο νήματος κοπής. Ποτέ μη χρησιμοποιείτε μεταλλικό νήμα κοπής ή πετονιά.
- ◆ Προσέξτε να μην αγγίζετε τη λεπίδα αποκοπής νήματος.
- ◆ Φροντίστε να διατηρείτε το καλώδιο τροφοδοσίας μακριά από το νήμα κοπής. Προσέχετε πάντα τη θέση του καλωδίου.
- ◆ Σε καμία περίπτωση μην πλησιάζετε τα χέρια και τα πόδια σας στο νήμα κοπής, ειδικά όταν θέτετε σε λειτουργία τη μηχανή.
- ◆ Πριν χρησιμοποιήσετε τη συσκευή και μετά από οποιαδήποτε πρόσκρουση, να ελέγξετε για ενδεχόμενα σημάδια φθοράς ή ζημιάς και προβείτε στις απαραίτητες επιδιορθώσεις.

- ◆ Μην χειριστείτε ποτέ τη συσκευή με φθαρμένους προφυλακτήρες ή χωρίς προφυλακτήρες.
- ◆ Προσέξτε από σωματικές βλάβες από κάθε εξάρτημα που έχει τοποθετηθεί για φινιρίσμα μήκος νήματος κοπής. Αφού κάνετε προώθηση του νήματος κοπής, επιστρέψετε πάντα το μηχανήμα στην κανονική του θέση λειτουργίας πριν το ανάψετε.
- ◆ Θα πρέπει να προσέχετε τα ανοίγματα εξαερισμού να μην παρεμποδίζονται από σκουπίδια και άλλα αντικείμενα.
- ◆ Μη χρησιμοποιείτε τη συσκευή φινιρίσματος χόρτου (φινιρίσμα ακρών), εάν τα καλώδια έχουν υποστεί ζημιά ή φθαρεί.
- ◆ Κρατήστε τις προεκτάσεις καλωδίων μακριά από τα στοιχεία κοπής.

## Επιγραφές στη συσκευή

Πάνω στο μηχανήμα υπάρχουν τα ακόλουθα προειδοποιητικά σύμβολα:



Διαβάστε το εγχειρίδιο πριν θέσετε το μηχανήμα σε λειτουργία.



Όταν χρησιμοποιείτε αυτή τη συσκευή, να φοράτε προστατευτικά γυαλιά.



Φροντίστε τα άλλα άτομα καθώς και ζώα να βρίσκονται σε απόσταση τουλάχιστον 6 μέτρων από την περιοχή κοπής.



Μην αφήνετε το μηχανήμα εκτεθειμένο στη βροχή ή σε έντονη υγρασία.

## Ασφαλής χρήση του ηλεκτρικού ρεύματος



Αυτή η συσκευή φέρει διπλή μόνωση, επομένως δεν απαιτείται καλώδιο γείωσης. Ελέγχετε πάντοτε αν η τάση τροφοδοσίας αντιστοιχεί σε αυτήν που αναγράφεται στην πινακίδα στοιχείων του εργαλείου.

- ◆ Αν το καλώδιο ρεύματος έχει υποστεί βλάβη, πρέπει να αντικατασταθεί από τον κατασκευαστή ή από εξουσιοδοτημένο Κέντρο Επισκευών Black & Decker ώστε να αποφύγετε τους κινδύνους.

## Χαρακτηριστικά

Αυτή η συσκευή περιλαμβάνει μερικά ή όλα τα παρακάτω χαρακτηριστικά.

1. Διακόπτης on/off
2. Λαβή
3. Σύστημα συγκράτησης καλωδίου
4. Υποδοχή καλωδίου τροφοδοσίας
5. Βοηθητική λαβή
6. Κουμπί ρύθμισης

7. Σωλήνας
8. Προφυλακτήρας
9. Λεπίδα αποκοπής νήματος
10. Περιβλήμα πομπίνας
11. Νήμα κοπής
12. Οδηγός μπορντούρας

## Συναρμολόγηση

**Προειδοποίηση!** Πριν τη συναρμολόγηση, βεβαιωθείτε ότι η συσκευή είναι εκτός λειτουργίας και ότι το φως της δεν είναι στην πρίζα.

### Τοποθέτηση του προφυλακτήρα (εικ. Α)

- ◆ Αφαιρέστε τις εξάγωνες βίδες (13) από την κεφαλή (14).
- ◆ Τοποθετήστε τον προφυλακτήρα (8) στη συσκευή, όπως φαίνεται στην εικόνα.
- ◆ Πιέστε καλά τον προφυλακτήρα μέχρι να κουμπώσει στη θέση του.
- ◆ Στερεώστε τον προφυλακτήρα με τις εξάγωνες βίδες.
- ◆ Σφίξτε καλά τις εξάγωνες βίδες Allen χρησιμοποιώντας το παρεχόμενο εξάγωνο κλειδί Allen (15).

**Προειδοποίηση!** Ποτέ μη χρησιμοποιείτε τη συσκευή, εάν ο προφυλακτήρας δεν είναι σωστά τοποθετημένος στη θέση του.

### Απελευθέρωση του νήματος κοπής

Κατά τη μεταφορά, το νήμα κοπής στερεώνεται με κολλητική ταινία στο περιβλήμα της πομπίνας.

- ◆ Αφαιρέστε την κολλητική ταινία που κρατά σταθερό το νήμα κοπής (11) στο περιβλήμα της πομπίνας (10).

### Σύνδεση του μηχανήματος στην πρίζα

- ◆ Συνδέστε το θηλυκό φως ενός κατάλληλου καλωδίου επέκτασης στην υποδοχή καλωδίου τροφοδοσίας (4).
- ◆ Περάστε το καλώδιο μία βόλα μέσα από το σύστημα συγκράτησης καλωδίου (3).
- ◆ Συνδέστε το φως σε μια πρίζα.

**Προειδοποίηση!** Η προέκταση πρέπει να είναι κατάλληλη για χρήση σε εξωτερικό χώρο.

### Αναπόφευκτοι κίνδυνοι.

Μπορεί να προκληθούν επιπρόσθετοι αναπόφευκτοι κίνδυνοι όταν χρησιμοποιείτε το εργαλείο οι οποίοι μπορεί να μη συμπεριλαμβάνονται στις προειδοποιήσεις ασφαλείας που εσωκλείονται. Αυτοί οι κίνδυνοι μπορεί να προκληθούν από κακή χρήση, παρατεταμένη χρήση κτλ.

Ακόμα και με την τήρηση των σχετικών κανονισμών ασφαλείας και τη χρήση μέσων προστασίας, ορισμένοι κίνδυνοι δεν είναι δυνατό να εξαλειφθούν. Αυτοί περιλαμβάνουν:

- ◆ Τραυματισμούς από το άγγιγμα των περιστρεφόμενων/κινούμενων μερών.
- ◆ Τραυματισμούς από αλλαγή οποιοδήποτε εξαρτημάτων, λεπίδων ή αξεσουάρ.

- ◆ Τραυματισμούς από παρατεταμένη χρήση του εργαλείου. Όταν χρησιμοποιείτε οποιοδήποτε εργαλείο για παρατεταμένες χρονικές περιόδους βεβαιωθείτε ότι κάνετε τακτικά διαλείμματα.
- ◆ Προβλήματα ακοής.
- ◆ Κίνδυνοι στην υγεία που προκαλούνται από την εισπνοή σκόνης όταν χρησιμοποιείτε το εργαλείο (παράδειγμα:- όταν επεξεργάζεστε ξύλο, ειδικά δρυς, οξιά και MDF.)

## Χρήση

**Προειδοποίηση!** Αφήστε το εργαλείο να λειτουργήσει με το δικό του ρυθμό. Μην το υπερφορτώνετε.

### Ρύθμιση της συσκευής σε λειτουργία φινιρίσματος η άκρων (εικ. Β - D)

Η συσκευή μπορεί να χρησιμοποιηθεί σε λειτουργία φινιρίσματος χόρτου όπως απεικονίζεται στην εικ. Β ή σε λειτουργία φινιρίσματος άκρων, για το κόψιμο του προεξέχοντος χόρτου κατά μήκος του χλοοτάπητα, όπως απεικονίζεται στην εικ. C.

### Λειτουργία φινιρίσματος χόρτου (εικ. Β & D)

Για τη λειτουργία φινιρίσματος χόρτου, η κεφαλή φινιρίσματος πρέπει να βρίσκεται στη θέση η οποία απεικονίζεται στην εικ. Β. Αν όχι:

- ◆ Πιέστε το κουμπί ρύθμισης (6).
- ◆ Περιστρέψτε το σωλήνα (7), ενώ απελευθερώνετε το κουμπί.
- ◆ Όταν η κεφαλή βρίσκεται στην σωστή θέση, το κουμπί θα ασφαλίσει.

**Σημείωση:** Ο σωλήνας περιστρέφεται μόνο προς μια κατεύθυνση.

### Λειτουργία φινιρίσματος άκρων (εικ. C & D)

Για τη λειτουργία φινιρίσματος άκρων (μπορντούρα), η κεφαλή φινιρίσματος πρέπει να βρίσκεται στη θέση η οποία απεικονίζεται στην εικ. C. Αν όχι:

- ◆ Πιέστε το κουμπί ρύθμισης (6).
- ◆ Περιστρέψτε το σωλήνα (7), ενώ απελευθερώνετε το κουμπί.
- ◆ Όταν η κεφαλή βρίσκεται στην σωστή θέση, το κουμπί θα ασφαλίσει.

**Σημείωση:** Ο σωλήνας περιστρέφεται μόνο προς μια κατεύθυνση.

### Ρύθμιση του ύψους της συσκευής (εικ. D)

Αυτή η συσκευή έχει τηλεσκοπικό μηχανισμό, με τον οποίο μπορείτε να προσαρμόσετε το ύψος του ώστε να σας βολεύει καλύτερα. Υπάρχουν τρεις ρυθμίσεις ύψους. Για να ρυθμίσετε το ύψος, ενεργήστε ως ακολούθως:

- ◆ Πιέστε το κουμπί ρύθμισης (6).
- ◆ Τραβήξτε ελαφρώς τον σωλήνα (7) προς τα έξω από το περιβλήμα του κινητήρα (16) στο επιθυμητό ύψος, ενώ απελευθερώνετε το κουμπί.



- ◆ Όταν ο σωλήνας βρίσκεται στην σωστή θέση, το κουμπί θα ασφαλίσει.

### Θέση εντός και εκτός λειτουργίας

- ◆ Για να θέσετε σε λειτουργία τη συσκευή, πατήστε το μοχλό λειτουργίας (1).
- ◆ Για να θέσετε τη συσκευή εκτός λειτουργίας, αφήστε το μοχλό λειτουργίας.

**Προειδοποίηση!** Ποτέ μην επιχειρήσετε να ασφαλίσετε τον μοχλό λειτουργίας όταν βρίσκεται σε θέση λειτουργίας (on).

### Συμβουλές για άριστη χρήση

#### Γενικές πληροφορίες

- ◆ Για να πετύχετε το καλύτερο δυνατό αποτέλεσμα κοπής, κόβετε το χόρτο μόνο όταν είναι στεγνό.

#### Φινίρισμα χόρτου

- ◆ Κρατήστε τη συσκευή όπως απεικονίζεται στην εικ. Β.
- ◆ Εργαστείτε κινώντας τη μηχανή φινιρίσματος χόρτου από τη μία πλευρά στην άλλη.
- ◆ Κατά την κοπή χόρτου μεγάλου ύψους, εργαστείτε σε πολλά διαδοχικά περάσματα ξεκινώντας από την κορυφή. Κόβετε λίγο χόρτο κάθε φορά.
- ◆ Φροντίστε η συσκευή να παραμένει μακριά από σκληρά αντικείμενα και από ευαίσθητα φυτά.
- ◆ Αν η συσκευή αρχίσει να ζορίζεται και να κινείται με μικρή ταχύτητα, ελαττώστε το φορτίο.

#### Φινίρισμα άκρων (μπορντούρα)

Το καλύτερο αποτέλεσμα κοπής επιτυγχάνεται όταν το βάθος της μπορντούρας είναι μεγαλύτερο από 50 mm.

- ◆ Μη χρησιμοποιείτε τη συσκευή για τη δημιουργία μπορντούρας. Για να δημιουργήσετε μπορντούρα, χρησιμοποιήστε ένα εργαλείο δημιουργίας μπορντούρας.
- ◆ Καθοδηγήστε τη συσκευή όπως απεικονίζεται στην εικ. C.
- ◆ Για να διαμορφώσετε λίγο πιο βαθιά κοπή, γείρετε ελαφρά τη συσκευή.

#### Τοποθέτηση μιας νέας πομπίνας νήματος κοπής (εικ. E & G)

Ο αντιπρόσωπός σας της Black & Decker διαθέτει ανταλλακτικές μομπίνες νήματος κοπής (κωδικός A6495).

- ◆ Κρατήστε τα αυτάκια (17) πατημένα και αφαιρέστε το κάλυμμα της πομπίνας (18) από το περίβλημα (10).
- ◆ Αφαιρέστε την άδεια πομπίνα (19) από το περίβλημα.
- ◆ Αφαιρέστε από το κάλυμμα και το περίβλημα της πομπίνας τυχόν υπολείμματα ακαθαρσιών και χόρτου.
- ◆ Τοποθετήστε τη νέα πομπίνα στην υποδοχή στο περίβλημα της πομπίνας με τις γραμμές στις σχισμές (23) (εικ. F).

- ◆ Εισάγετε τα άκρα γραμμών μέσα από τα κατάλληλα μιάτια (20) στο περίβλημα (10). Τραβήξτε τη χαλαρή γραμμή μέχρι να βγει από τις σχισμές (23) (εικ. G).
- ◆ Ευθυγραμμίστε τα αυτάκια (17) στο κάλυμμα της πομπίνας με τις οπές που υπάρχουν (21) στο περίβλημα.
- ◆ Σπρώξτε το κάλυμμα (18) πάνω στο περίβλημα (10) μέχρι να ασφαλίσει κανονικά στη θέση του.

**Σημείωση:** Βεβαιωθείτε το κάλυμμα να έχει τοποθετηθεί, περιμένετε να ακούστε δυο κλικ για να επιβεβαιωθείτε ότι και τα δυο δόντια (17) έχουν τοποθετηθεί σωστά.

**Προειδοποίηση!** Εάν τα νήματα κοπής εξέρχουν από τη λεπίδα αποκοπής νήματος (9), κόψτε τα προκειμένου να φτάνουν ακριβώς στη λεπίδα.

#### Τύλιγμα νέου νήματος σε άδεια πομπίνα (εικ. H - J)

Μπορείτε να τυλίξετε νέο νήμα κοπής σε άδεια μομπίνα.

Ο αντιπρόσωπός σας της Black & Decker διαθέτει ανταλλακτικά πακέτα νήματος κοπής (κωδικός A6171).

- ◆ Αφαιρέστε την άδεια μομπίνα από τη συσκευή, όπως περιγράφεται παραπάνω.
- ◆ Αφαιρέστε τυχόν νήμα κοπής το οποίο έχει παραμείνει στην πομπίνα.
- ◆ Ξεκινήστε τυλίγοντας το νέο νήμα στο επάνω τμήμα της πομπίνας:
  - Τροφοδοτήστε 2 εκ. νήματος κοπής σε μία από τις σχισμές στο επάνω τμήμα της πομπίνας, όπως απεικονίζεται.
  - Τυλίξτε το νήμα κοπής στην πομπίνα προς την κατεύθυνση του βέλους. Φροντίστε το τύλιγμα του νήματος να γίνει ομαλά και σε ομοιόμορφα στρώματα. Μην τυλίγετε χιαστί.
  - Όταν το τυλιγμένο νήμα κοπής φτάσει στις εσοχές (22), κόψτε το νήμα.
  - Στερεώστε προσωρινά το νήμα στις σχισμές (23) στο πλάι της πομπίνας, όπως απεικονίζεται.
- ◆ Επαναλάβετε την παραπάνω διαδικασία για το δεύτερο νήμα κοπής στο κάτω τμήμα της πομπίνας. Στερεώστε το νήμα στις σχισμές που δεν χρησιμοποιούνται (23).
- ◆ Τοποθετήστε την μομπίνα στη συσκευή, σύμφωνα με τις οδηγίες που παρατίθενται παραπάνω. Μην παραλείψετε να ελευθερώσετε το νήμα κοπής από τις σχισμές στερέωσης (23).

**Προειδοποίηση!** Χρησιμοποιείτε μόνο νήμα κοπής κατάλληλου τύπου της Black & Decker. Βεβαιωθείτε ότι υπάρχει νήμα κοπής και στα δύο τμήματα της μομπίνας.

#### Εντοπισμός και αποκατάσταση προβλημάτων

Αν το εργαλείο δείχνει να μη λειτουργεί κανονικά, ενεργήστε σύμφωνα με τις οδηγίες που ακολουθούν. Αν, παρ' όλα αυτά, το πρόβλημά σας δεν λυθεί, παρακαλούμε επικοινωνήστε με το εξουσιοδοτημένο σέρβις της Black & Decker της περιοχής σας.

**Προειδοποίηση!** Πριν συνεχίσετε, βγάλτε το εργαλείο από την πρίζα.

### Η συσκευή λειτουργεί αργά.

- ◆ Ελέγξτε αν το περίβλημα της μοπομπίνας περιστρέφεται ελεύθερα. Καθαρίστε το προσεκτικά, αν χρειάζεται.
- ◆ Βεβαιωθείτε ότι το νήμα κοπής δεν εξέχει περισσότερο από 11 εκ. από το περίβλημα της μοπομπίνας. Αν το μήκος που εξέχει είναι μεγαλύτερο, κόψτε το ώστε μόλις να φτάνει τη λεπίδα αποκοπής νήματος.

### Δε λειτουργεί η αυτόματη τροφοδοσία νήματος

- ◆ Κρατήστε τα ατμάκια πατημένα και αφαιρέστε το κάλυμμα της μοπομπίνας από το περίβλημα.
- ◆ Τραβήξτε το νήμα κοπής, έως ότου προεξέχει 11 εκ. από το περίβλημα. Αν το τμήμα που έχει μείνει πάνω στην μοπομπίνα δεν είναι επαρκές, τοποθετήστε νέα μοπομπίνα νήματος κοπής σύμφωνα με τις οδηγίες που παρατίθενται παραπάνω.
- ◆ Ευθυγραμμίστε τα ατμάκια στο κάλυμμα της μοπομπίνας με τις οπές που υπάρχουν στο περίβλημα.
- ◆ Σπρώξτε το κάλυμμα πάνω στο περίβλημα μέχρι να ασφαλίσει κανονικά στη θέση του.
- ◆ Αν το νήμα κοπής εξέχει πέρα από τη λεπίδα αποκοπής νήματος, κόψτε το έτσι ώστε μόλις να φτάνει στη λεπίδα.

Αν η αυτόματη τροφοδοσία νήματος εξακολουθεί να μην λειτουργεί ή η μοπομπίνα έχει μπλοκάρει, ακολουθήστε τις παρακάτω ενέργειες:

- ◆ Καθαρίστε προσεκτικά το κάλυμμα και το περίβλημα της μοπομπίνας.
- ◆ Αφαιρέστε την μοπομπίνα και ελέγξτε αν ο μοχλός μπορεί να κινηθεί ελεύθερα.
- ◆ Αφαιρέστε την μοπομπίνα και ξετυλίξτε το νήμα κοπής, και στη συνέχεια τυλίξτε το προσεκτικά και πάλι, σύμφωνα με την παραπάνω περιγραφή. Αντικαταστήστε την μοπομπίνα σύμφωνα με τις οδηγίες.

### Συντήρηση

Αυτό το εργαλείο/συσκευή της Black & Decker με καλώδιο/ασύρματο έχει σχεδιαστεί έτσι ώστε να λειτουργεί για μεγάλο χρονικό διάστημα με την ελάχιστη δυνατή φροντίδα. Η αδιάλειπτη και κανονική λειτουργία του εργαλείου εξαρτάται από τη φροντίδα και τον τακτικό καθαρισμό.

**Προειδοποίηση!** Πριν εκτελέσετε οποιαδήποτε συντήρηση των ενσωματωτων/ασύρματων ηλεκτρικών εργαλείων:

- ◆ Θέστε τη συσκευή/εργαλείο εκτός λειτουργίας και βγάλτε το από την πρίζα.
- ◆ Ή θέστε εκτός λειτουργίας και αφαιρέστε τη μπαταρία από τη συσκευή/εργαλείο εάν η συσκευή/εργαλείο έχει ένα ξεχωριστό συγκρότημα μπαταρίας.
- ◆ Ή αδειάστε εντελώς τη μπαταρία εάν είναι ενσωματωμένη

και μετά θέστε εκτός λειτουργίας το μηχάνημα.

- ◆ Βγάλτε τον φορτιστή από την πρίζα πριν τον καθαρίσετε. Ο φορτιστής σας δεν απαιτεί καμία συντήρηση εκτός από τον τακτικό καθαρισμό του.
- ◆ Καθαρίζετε τακτικά τις οπές εξερισμού του εργαλείου/συσκευής σας και του φορτιστή με μαλακή βούρτσα ή με στεγνό πανί.
- ◆ Να καθαρίζετε τακτικά το περίβλημα του μοτέρ χρησιμοποιώντας ένα υγρό πανί. Μη χρησιμοποιείτε αποξεστικά καθαριστικά ή υγρά καθαρισμού που περιέχουν διαλύτες.
- ◆ Να ανοίγετε τακτικά το τσοκ και να το αδειάζετε, προκειμένου να αφαιρείται η σκόνη από το εσωτερικό του (όταν υπάρχει).

### Διάθεση εργαλείων και περιβάλλον



Ξεχωριστή συλλογή. Αυτό το προϊόν δεν πρέπει να απορριφθεί με συνηθισμένα σπιτικά απορρίμματα.

Εάν κάποια μέρα διαπιστώσετε ότι το προϊόν σας Black & Decker χρειάζεται αντικατάσταση ή δεν σας χρησιμεύει πλέον, μην το απορρίψετε με τα σπιτικά απορρίμματα. Κάντε αυτό το προϊόν διαθέσιμο για ξεχωριστή συλλογή.



Η ξεχωριστή συλλογή χρησιμοποιημένων προϊόντων και συσκευασιών επιτρέπει την ανακύκλωση υλικών. Η επανάχρηση ανακυκλωμένων υλικών βοηθάει την προστασία του περιβάλλον και μειώνει την ζήτηση για σπάνια υλικά.

Οι τοπικοί κανονισμοί μπορεί να παρέχουν ξεχωριστή συλλογή ηλεκτρικών προϊόντων από κατοικίες, δημοτικές τοποθεσίες απορριμμάτων ή από τον έμπορο όταν αγοράσατε το καινούργιο προϊόν.

Η Black & Decker δίνει τη δυνατότητα συλλογής και ανακύκλωσης των προϊόντων της που έχουν συμπληρώσει τη διάρκεια ζωής τους. Αν θέλετε να χρησιμοποιήσετε την εν λόγω υπηρεσία, επιστρέψτε το προϊόν σας σε οποιοδήποτε εξουσιοδοτημένο κέντρο επισκευών, όπου θα το παραλάβουν εκ μέρους σας.

Ενημερωθείτε για το πλησιέστερο κέντρο επισκευών της περιοχής σας, επικοινωνώντας με τα γραφεία της Black & Decker στη διεύθυνση που αναγράφεται στο εγχειρίδιο. Επίσης, για να πληροφορηθείτε τα εξουσιοδοτημένα κέντρα επισκευών της Black & Decker και τις λεπτομέρειες και τους αρμόδιους των υπηρεσιών που παρέχονται μετά την πώληση, μπορείτε ανατρέξετε στο Διαδίκτυο στη διεύθυνση: [www.2helpU.com](http://www.2helpU.com)

## Τεχνικά χαρακτηριστικά

|                          |                   | GL701    | GL710    | GL716    |
|--------------------------|-------------------|----------|----------|----------|
|                          |                   | TYPE 3-5 | TYPE 3-5 | TYPE 3-5 |
| Τάση                     | V <sub>AC</sub>   | 230      | 230      | 230      |
| Ισχύς εισόδου            | W                 | 550      | 520      | 580      |
| Ταχύτητα άφορτου κίνησης | min <sup>-1</sup> | 6.500    | 6.500    | 6.500    |
| Βάρος                    | kg                | 3,2      | 3,2      | 3,2      |

|                          |                   | GL720    | GL741    |
|--------------------------|-------------------|----------|----------|
|                          |                   | TYPE 3-5 | TYPE 3-5 |
| Τάση                     | V <sub>AC</sub>   | 230      | 230      |
| Ισχύς εισόδου            | W                 | 600      | 700      |
| Ταχύτητα άφορτου κίνησης | min <sup>-1</sup> | 6.500    | 6.500    |
| Βάρος                    | kg                | 3,2      | 3,2      |

Τιμή χειροβραχιονικής δόνησης σύμφωνα με το πρότυπο  
EN 786: = 7,5 m/s<sup>2</sup>, αβεβαιότητα (K) = 1.5 m/s<sup>2</sup>

## Δήλωση συμμόρφωσης με την Ευρωπαϊκή Κοινότητα

ΟΔΗΓΙΑ ΠΕΡΙ ΜΗΧΑΝΗΜΑΤΩΝ  
ΟΔΗΓΙΑ ΘΟΡΟΙΟΥ ΕΞΩΤΕΡΙΚΩΝ ΧΩΡΩΝ



GL701/GL710/GL716/GL720/GL741

Η Black & Decker δηλώνει ότι αυτά τα προϊόντα που περιγράφονται στον τομέα "τεχνικά χαρακτηριστικά" είναι σε συμμόρφωση με:

98/37/EC (μέχρι 28 Δεκ. 2009), 2006/42/EC  
(από 29 Δεκ. 2009), EN 60335-1, EN 60335-2-91

2000/14/EK, Συσκευή φινιρίσματος χόρτου, L ≤ 50 cm,  
Παράρτημα VIII  
KEMA Quality B.V., Utrechtseweg 310, 6802 ED Arnhem,  
Κάτω Χώρες  
Notified Body ID No.: 0344

Επίπεδο ακουστικής ισχύς σύμφωνα με 2000/14/EK  
(Άρθρο 12, Παράρτημα III, L ≤ 50 cm):  
L<sub>WA</sub> (μετρημένη ισχύς ήχου) 95 dB(A)  
αβεβαιότητα (K) = 3 dB(A)  
L<sub>WA</sub> (εγγυημένη ισχύς ήχου) 96 dB(A)  
αβεβαιότητα (K) = 3 dB(A)

Αυτά τα προϊόντα συμμορφώνονται επίσης με την οδηγία 2004/108/EK. Για περισσότερες πληροφορίες, επικοινωνήστε με τη Black & Decker στη διεύθυνση που ακολουθεί ή στο πίσω μέρος του εγχειριδίου.

Ο υπογεγραμμένος είναι υπεύθυνος για τη σύνταξη του τεχνικού αρχείου και κάνει την παρών δήλωση εκ μέρους της Black & Decker.

Kevin Hewitt  
Αντιπρόεδρος τμήματος παγκόσμιας μηχανολογίας  
Black & Decker Europe, 210 Bath Road, Slough,  
Berkshire, SL1 3YD  
Ηνωμένο Βασίλειο  
1-10-2009

Αρ. εφαρμογής ευρεσιτεχνίας για την Αγγλία: 059745.6

Αρ. εφαρμογής σχεδιασμού για την Ευρωπαϊκή Ένωση:  
340385-0001 & 339544-0001

## Εγγύηση

Η Black & Decker είναι σίγουρη για την ποιότητα των προϊόντων της και παρέχει σημαντική εγγύηση. Η παρούσα γραπτή εγγύηση αποτελεί πρόσθετο δικαίωμά σας και δεν ζημιώνει τα συνταγματικά σας δικαιώματα.

Η εγγύηση ισχύει εντός της επικράτειας των Κρατών Μελών της Ευρωπαϊκής Ένωσης και της Ευρωπαϊκής Ζώνης Ελευθέρων Συναλλαγών.

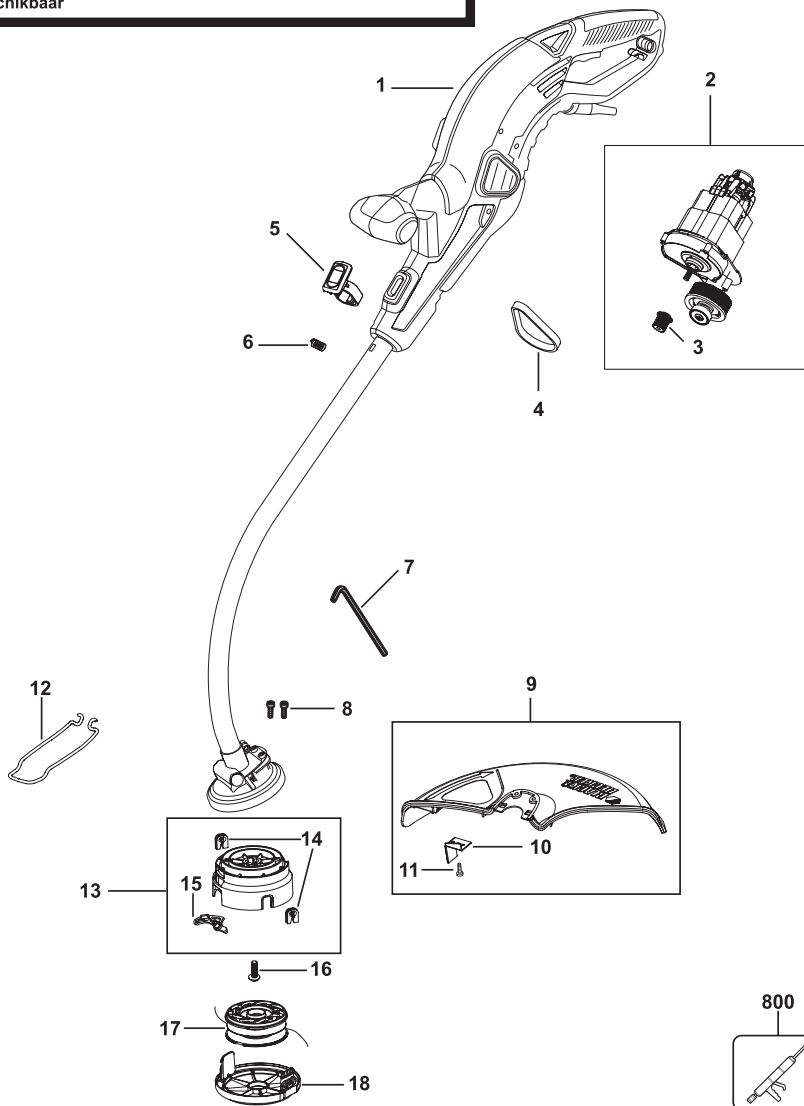
Σε περίπτωση που κάποιο προϊόν της Black & Decker παρουσιάσει βλάβη εξαιτίας ελαττωματικών υλικών, ποιότητας εργασίας ή έλλειψης συμφωνίας με τις προδιαγραφές εντός 24 μηνών από την ημερομηνία αγοράς, η Black & Decker εγγυάται την αντικατάσταση των ελαττωματικών τμημάτων, την επισκευή προϊόντων που έχουν υποστεί εύλογη φθορά λόγω χρήσης ή την αντικατάσταση των προϊόντων προκειμένου να εξασφαλίσει την ελάχιστη ενόχληση στους πελάτες της, εκτός αν:

- ◆ Το προϊόν έχει χρησιμοποιηθεί σε εργασιακό, επαγγελματικό περιβάλλον ή αν έχει ενοικιαστεί
- ◆ Έχει γίνει εσφαλμένη χρήση του προϊόντος ή αν έχει παραμεληθεί
- ◆ Το προϊόν έχει υποστεί βλάβη από άλλα αντικείμενα, από ουσίες ή λόγω ατυχήματος
- ◆ Έχει γίνει προσπάθεια επισκευής από μη εξουσιοδοτημένα κέντρα επισκευών ή από προσωπικό που δεν ανήκει στο προσωπικό της Black & Decker

Για να ισχύσει η εγγύηση, πρέπει να υποβάλετε απόδειξη αγοράς στον πωλητή ή το εξουσιοδοτημένο κέντρο επισκευών. Ενημερωθείτε για το πλησιέστερο κέντρο επισκευών της περιοχής σας, επικοινωνώντας με τα γραφεία της Black & Decker στη διεύθυνση που αναγράφεται στο εγχειρίδιο. Επίσης, για να πληροφορηθείτε για τα εξουσιοδοτημένα κέντρα επισκευών της Black & Decker, τις λεπτομέρειες και τους αρμόδιους των υπηρεσιών που παρέχονται μετά την πώληση, μπορείτε να ανατρέξετε στο Διαδίκτυο στη διεύθυνση: **[www.2helpU.com](http://www.2helpU.com)**

Παρακαλούμε να επισκεφτείτε την ιστοσελίδα μας **[www.blackanddecker.eu](http://www.blackanddecker.eu)** για να καταχωρήσετε το νέο σας προϊόν Black & Decker και για να ενημερώνεστε για τα νέα προϊόντα και τις ειδικές προσφορές. Περισσότερες πληροφορίες σχετικά με τη μάρκα Black & Decker και τη σειρά προϊόντων μας θα βρείτε στη διεύθυνση **[www.blackanddecker.eu](http://www.blackanddecker.eu)**

Partial support - Only parts shown available  
 Nur die aufgefuehrten teile sind lieferbar  
 Reparation partielle - Seules les pieces indiquees sont disponibles  
 Supporto parziale - Sono disponibili soltanto le parti evidenziate  
 Solo estan disponibles las peizas listadas  
 So se encontram disponiveis as pecas listadas  
 Gedeeltelijke ondersteuning - alleen de getoonde onderdelen  
 zijn beschikbaar



ENGLISH

**Do not forget to register your product!**

[www.blackanddecker.co.uk/productregistration](http://www.blackanddecker.co.uk/productregistration)

Register your product online at [www.blackanddecker.co.uk/productregistration](http://www.blackanddecker.co.uk/productregistration) or send your name, surname and product code to Black & Decker in your country.

DEUTSCH

**Vergessen Sie nicht, Ihr Produkt registrieren zu lassen!**

[www.blackanddecker.de/productregistration](http://www.blackanddecker.de/productregistration)

Lassen Sie Ihr Produkt unter [www.blackanddecker.de/productregistration](http://www.blackanddecker.de/productregistration) online registrieren oder schicken Sie Ihren Nachnamen, Vornamen und den Produktcode an Black & Decker in Ihrem Land.

FRANÇAIS

**N'oubliez pas d'enregistrer votre produit !**

[www.blackanddecker.fr/productregistration](http://www.blackanddecker.fr/productregistration)

Enregistrez votre produit en ligne sur [www.blackanddecker.fr/productregistration](http://www.blackanddecker.fr/productregistration) ou envoyez vos nom, prénom et code produit à Black & Decker dans votre pays.

ITALIANO

**Non dimenticate di registrare il prodotto!**

[www.blackanddecker.it/productregistration](http://www.blackanddecker.it/productregistration)

Registrate il prodotto online su [www.blackanddecker.it/productregistration](http://www.blackanddecker.it/productregistration) o inviate nome, cognome e codice del prodotto al centro Black & Decker del vostro paese.

NEDERLANDS

**Vergeet niet uw product te registreren!**

[www.blackanddecker.nl/productregistration](http://www.blackanddecker.nl/productregistration)

U kunt uw product online registreren op [www.blackanddecker.nl/productregistration](http://www.blackanddecker.nl/productregistration) of u kunt uw voornaam, achternaam en productcode opsturen naar Black & Decker in uw land.

ESPAÑOL

**¡No olvide registrar su producto!**

[www.blackanddecker.es/productregistration](http://www.blackanddecker.es/productregistration)

Registre su producto on-line en [www.blackanddecker.es/productregistration](http://www.blackanddecker.es/productregistration) o envíe su nombre, apellidos y código de producto a Black & Decker en su país.

PORTUGUÊS

**Não se esqueça de registar o seu produto!**

[www.blackanddecker.pt/productregistration](http://www.blackanddecker.pt/productregistration)

Registe o seu produto online em [www.blackanddecker.pt/productregistration](http://www.blackanddecker.pt/productregistration) ou envie o seu nome, apelido e código do produto para a Black & Decker no seu país.

SVENSKA

**Glöm inte att registrera produkten!**

[www.blackanddecker.se/productregistration](http://www.blackanddecker.se/productregistration)

Registrera produkten online på [www.blackanddecker.se/productregistration](http://www.blackanddecker.se/productregistration) eller skicka namn och produktkod till Black & Decker i landet du bor i.

NORSK

**Ikke glem å registrere produktet ditt!**

[www.blackanddecker.no/productregistration](http://www.blackanddecker.no/productregistration)

Registrer produktet ditt online på [www.blackanddecker.no/productregistration](http://www.blackanddecker.no/productregistration), eller send ditt navn, etternavn og produktkode til Black & Decker i ditt eget land.

DANSK

**Glem ikke at registrere dit produkt!**

[www.blackanddecker.dk/productregistration](http://www.blackanddecker.dk/productregistration)

Registrer dit produkt på internettet på: [www.blackanddecker.dk/productregistration](http://www.blackanddecker.dk/productregistration) eller send dit navn, efternavn og produktkode til Black & Decker i dit eget land.

SUOMI

**Muistathan rekisteröidä tuotteesi!**

[www.blackanddecker.fi/productregistration](http://www.blackanddecker.fi/productregistration)

Rekisteröi tuotteesi verkossa osoitteessa [www.blackanddecker.fi/productregistration](http://www.blackanddecker.fi/productregistration) tai läheta etunimesi, sukunimesi ja tuotekoodi oman maasi Black & Decker -edustajalle.

ΕΛΛΗΝΙΚΑ

**Μην ξεχάσετε να καταχωρίσετε το προϊόν σας!**

[www.blackanddecker.gr/productregistration](http://www.blackanddecker.gr/productregistration)

Καταχωρίστε το προϊόν σας σε σύνδεση στη σελίδα [www.blackanddecker.gr/productregistration](http://www.blackanddecker.gr/productregistration) ή στείλτε το όνομα, επίθετο σας και τον κωδικό προιωντός στη Black & Decker στη χώρα σας.

|                                 |   |   |  |
|---------------------------------|---|---|--|
| <b>België/Belgique</b>          | Black & Decker (Belgium) N.V.<br>Nieuwlandlaan 7<br>I.Z. Aarschot B156<br>3200 Aarschot   | Tel.<br>Fax   | 016 68 91 00<br>016 68 91 11                                   |
| <b>Danmark</b>                  | Black & Decker<br>Sluseholmen 2-4, 2450 København SV<br>Internet: <a href="http://www.blackanddecker.dk">www.blackanddecker.dk</a>                | Tel.<br>Fax   | 70 20 15 10<br>70 22 49 10                                     |
| <b>Deutschland</b>              | Black & Decker GmbH<br>Black & Decker Str. 40, D - 65510 Idstein  | Tel.<br>Fax   | 06126/21 - 0<br>06126/21 29 80                                 |
| <b>Ελλάδα</b>                   | Black & Decker (Ελλάς) Α.Ε.<br>Σπύρβωνος 7 & Λεωφ. Βουλιαγμένης 159<br>166 74 Γλυφάδα - Αθήνα   | Τηλ.<br>Φαξ<br><a href="http://www.blackanddecker.eu">www.blackanddecker.eu</a> | 210 8981616<br>210 8983285                                     |
| <b>España</b>                   | Black & Decker Ibérica, S.C.A.<br>Parc de Negocis "Mas Blau"<br>Edificio Muntadas, c/Bergadá, 1, Of. A6<br>08820 El Prat de Llobregat (Barcelona) | Tel.<br>Fax   | 934 797 400<br>934 797 419                                     |
| <b>France</b>                   | Black & Decker (France) S.A.S.<br>5 allée des Hêtres<br>B.P. 30084<br>69579 Limonest Cédex  | Tel.<br>Fax   | 04 72 20 39 20<br>04 72 20 39 00                               |
| <b>Helvetia</b>                 | ROFO AG<br>Gewerbezone Seeblick<br>3213 Kleinbödingen   | Tel.<br>Fax   | 026-6749391<br>026-6749394                                     |
| <b>Italia</b>                   | Black & Decker Italia SpA<br>Viale Elvezia 2<br>20052 Monza (MI)  | Tel.<br>Fax<br>Numero verde   | 039-23871<br>039-2387592/2387594<br>800-213935                 |
| <b>Nederland</b>                | Black & Decker Benelux<br>Joulehof 12, 4622 RG Bergen op Zoom   | Tel.<br>Fax   | 0164 - 283000<br>0164 - 283100                                 |
| <b>Norge</b>                    | Black & Decker (Norge) A/S<br>Postboks 4814, Nydalen, 0422 Oslo<br>Internet: <a href="http://www.blackanddecker.no">www.blackanddecker.no</a>     | Tlf.<br>Fax   | 22 90 99 00<br>22 90 99 01                                     |
| <b>Österreich</b>               | Black & Decker Vertriebsges.m.b.H<br>Oberlaaerstraße 246, A1100 Wien  | Tel.<br>Fax   | 01 66116-0<br>01 66116-14                                      |
| <b>Portugal</b>                 | Black & Decker<br>Rua Egas Moniz 173<br>S. João do Estoril<br>2766-651 Estoril  | Tel.<br>Fax   | 214667500<br>214667580   |
| <b>Suomi</b>                    | Black & Decker Oy<br>Keilasatama 3, 02150 Espoo<br>Black & Decker Oy,<br>Kägelhamnen 3, 02150 Esbo  | Puh.<br>Faksi<br>Tel.<br>Fax  | 010 400 430<br>(09) 2510 7100<br>010 400 430<br>(09) 2510 7100 |
| <b>Sverige</b>                  | Black & Decker AB<br>Box 94, 431 22 Mölndal   | Tel.<br>Fax   | 031-68 60 60<br>031-68 60 80                                   |
| <b>United Kingdom</b>           | Black & Decker<br>210 Bath Road<br>Slough, Berkshire SL1 3YD  | Tel.<br>Fax<br>Helpline   | 01753 511234<br>01753 551155<br>01753 574277                   |
| <b>Middle East &amp; Africa</b> | Black & Decker (Overseas) A.G.<br>PB 5420, Dubai, United Arab Emirates  | Tel.<br>Fax   | +971 4 2826464<br>+971 4 2826466                               |