

www.blackanddecker.eu

KS501
KS701E
KS701PE

EN

DE

FR

IT

NL

ES

PT

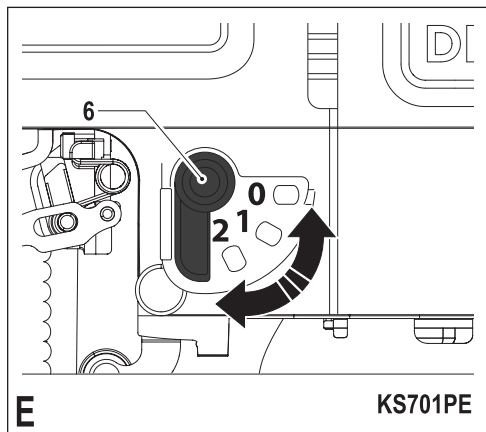
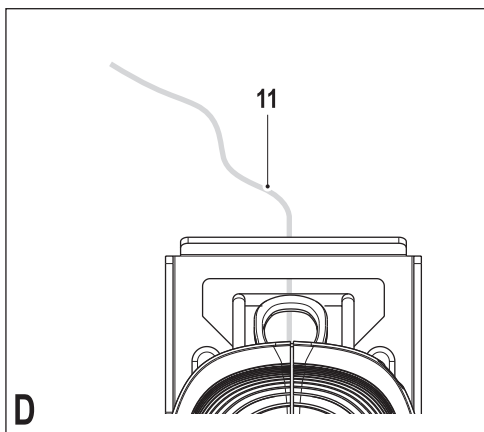
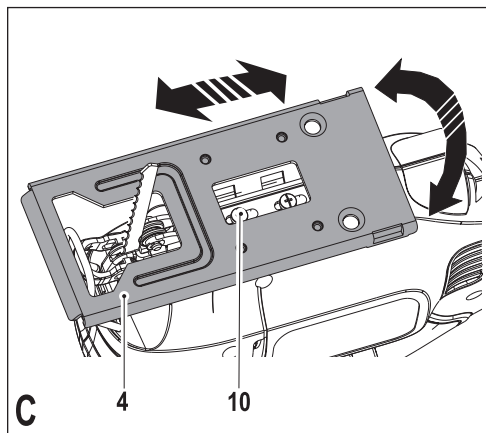
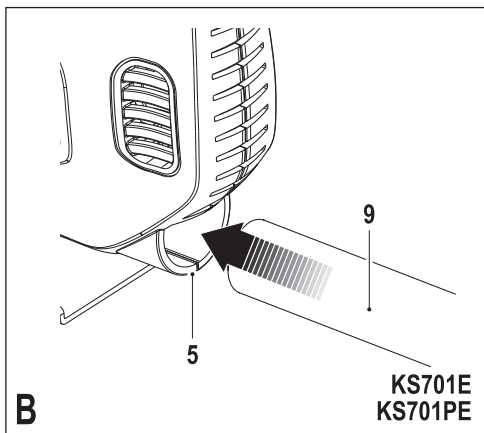
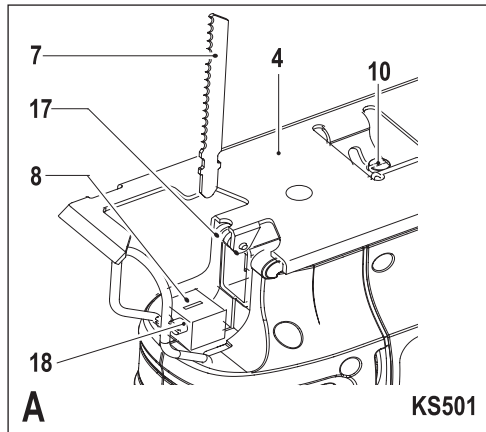
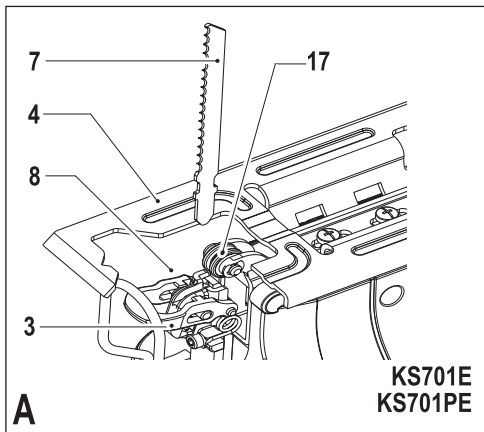
SV

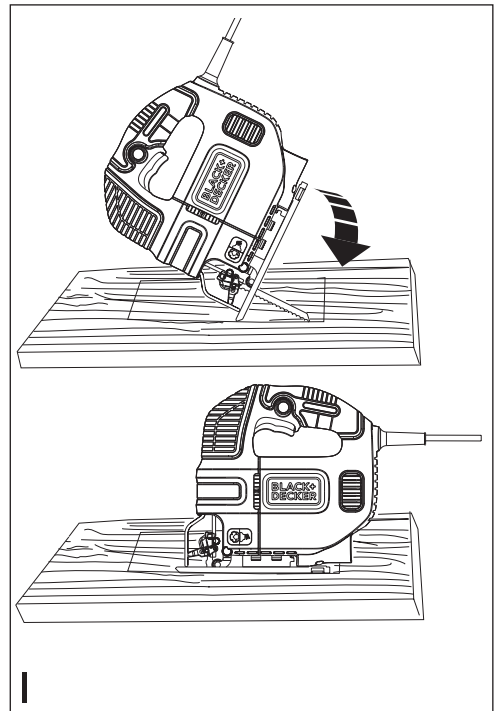
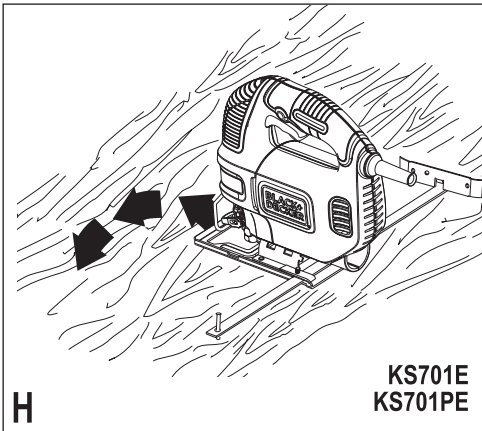
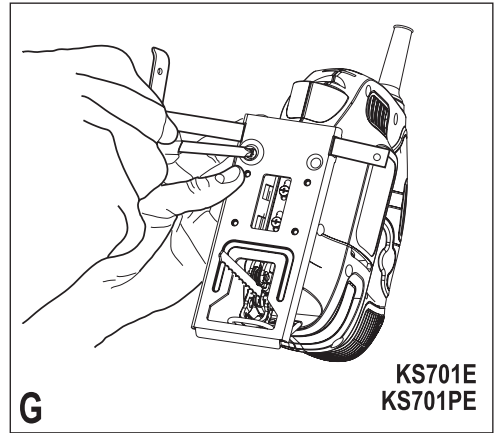
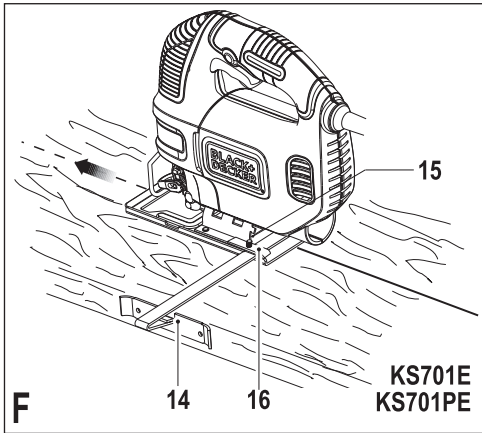
NO

DK

FI

EL





Intended use

Your BLACK+DECKER jig saw KS501, KS701E, KS701PE has been designed for sawing wood, plastics and metal. This tool is intended for consumer use only.

Safety instructions

General power tool safety warnings



Warning! Read all safety warnings, instructions, illustrations and specifications provided with power tool. Failure to follow the warnings and instructions listed below may result in electric shock, fire and/or serious injury.

Save all warnings and instructions for future reference.

The term "power tool" in all of the warnings listed below refers to your mains operated (corded) power tool or battery operated (cordless) power tool.

1. **Work area safety**
 - a. **Keep work area clean and well lit.** Cluttered or dark areas invite accidents.
 - b. **Do not operate power tools in explosive atmospheres, such as in the presence of flammable liquids, gases or dust.** Power tools create sparks which may ignite the dust or fumes.
 - c. **Keep children and bystanders away while operating a power tool.** Distractions can cause you to lose control.
2. **Electrical safety**
 - a. **Power tool plugs must match the outlet. Never modify the plug in any way. Do not use any adapter plugs with earthed (grounded) power tools.** Unmodified plugs and matching outlets will reduce risk of electric shock.
 - b. **Avoid body contact with earthed or grounded surfaces such as pipes, radiators, ranges and refrigerators.** There is an increased risk of electric shock if your body is earthed or grounded.
 - c. **Do not expose power tools to rain or wet conditions.** Water entering a power tool will increase the risk of electric shock.
 - d. **Do not abuse the cord. Never use the cord for carrying, pulling or unplugging the power tool. Keep cord away from heat, oil, sharp edges or moving parts.** Damaged or entangled cords increase the risk of electric shock.
 - e. **When operating a power tool outdoors, use an extension cord suitable for outdoor use.** Use of a cord suitable for outdoor use reduces the risk of electric shock.
 - f. **If operating a power tool in a damp location is unavoidable, use a residual current device (RCD) protected supply.** Use of an RCD reduces the risk of electric shock.
3. **Personal safety**
 - a. **Stay alert, watch what you are doing and use common sense when operating a power tool. Do not use a power tool while you are tired or under the influence of drugs, alcohol or medication.** A moment of inattention while operating power tools may result in serious personal injury.
 - b. **Use personal protective equipment. Always wear eye protection.** Protective equipment such as dust mask, non-skid safety shoes, hard hat, or hearing protection used for appropriate conditions will reduce personal injuries.
 - c. **Prevent unintentional starting. Ensure the switch is in the off-position before connecting to power source and/or battery pack, picking up or carrying the tool.** Carrying power tools with your finger on the switch or energising power tools that have the switch on invites accidents.
 - d. **Remove any adjusting key or wrench before turning the power tool on.** A wrench or a key left attached to a rotating part of the power tool may result in personal injury.
 - e. **Do not overreach. Keep proper footing and balance at all times.** This enables better control of the power tool in unexpected situations.
 - f. **Dress properly. Do not wear loose clothing or jewellery. Keep your hair, clothing and gloves away from moving parts.** Loose clothes, jewellery or long hair can be caught in moving parts.
 - g. **If devices are provided for the connection of dust extraction and collection facilities, ensure these are connected and properly used.** Use of dust collection can reduce dust-related hazards.
 - h. **Do not let familiarity gained from frequent use of tools allow you to become complacent and ignore tool safety principles.** A careless action can cause severe injury within a fraction of a second.
4. **Power tool use and care**
 - a. **Do not force the power tool. Use the correct power tool for your application.** The correct power tool will do the job better and safer at the rate for which it was designed.
 - b. **Do not use the power tool if the switch does not turn it on and off.** Any power tool that cannot be controlled with the switch is dangerous and must be repaired.
 - c. **Disconnect the plug from the power source and/or the battery pack from the power tool before making any adjustments, changing accessories, or storing power tools.** Such preventive safety measures reduce the risk of starting the power tool accidentally.
 - d. **Store idle power tools out of the reach of children and do not allow persons unfamiliar with the power tool or**

these instructions to operate the power tool. Power tools are dangerous in the hands of untrained users.

- e. **Maintain power tools and accessories. Check for misalignment or binding of moving parts, breakage of parts and any other condition that may affect the power tools operation. If damaged, have the power tool repaired before use.** Many accidents are caused by poorly maintained power tools.
 - f. **Keep cutting tools sharp and clean.** Properly maintained cutting tools with sharp cutting edges are less likely to bind and are easier to control.
 - g. **Use the power tool, accessories and tool bits etc. in accordance with these instructions, taking into account the working conditions and the work to be performed.** Use of the power tool for operations different from those intended could result in a hazardous situation.
 - h. **Keep handles and grasping surfaces dry, clean and free from oil and grease.** Slippery handles and greasy surfaces do not allow for safe handling and control of the tool in unexpected situations.
5. **Service**
- a. **Have your power tool serviced by a qualified repair person using only identical replacement parts.** This will ensure that the safety of the power tool is maintained.

Additional power tool safety warnings



Warning! Additional safety warnings for jigsaws and reciprocating saws

- ◆ **Hold power tool by insulated gripping surfaces, when performing an operation where the cutting accessory may contact hidden wiring or its own cord.** Cutting accessory contacting a "live" wire may make exposed metal parts of the power tool "live" and could give the operator an electric shock.
- ◆ **Use clamps or another practical way to secure and support the workpiece to a stable platform.** Holding the work by hand or against your body leaves it unstable and may lead to loss of control.
- ◆ **Keep hands away from cutting area.** Never reach underneath the work piece any reason. Do not insert fingers or thumb into the vicinity of the reciprocating blade and blade clamp. Do not stabilize the saw by gripping the shoe.
- ◆ **Keep blades sharp.** Dull or damaged blades may cause the saw to swerve or stall under pressure. Always use the appropriate type of saw blade for the workpiece material and type of cut.
- ◆ **When cutting pipe or conduit, make sure that they are free from water, electrical wiring, etc.**

- ◆ **Do not touch the workpiece or the blade immediately after operating the tool.** They can become very hot.
- ◆ **Be aware of hidden hazards, before cutting into walls, floors or ceilings, check for the location of wiring and pipes.**
- ◆ **The blade will continue to move after releasing the switch.** Always switch the tool off and wait for the saw blade to come to a complete standstill before putting the tool down.

Warning! Contact with, or inhalation of dusts arising from cutting applications may endanger the health of the operator and possible bystanders. Wear a dust mask specifically designed for protection against dust and fumes and ensure that persons within or entering the work area are also protected.

- ◆ The intended use is described in this instruction manual. The use of any accessory or attachment or performance of any operation with this tool other than those recommended in this instruction manual may present a risk of personal injury and/or damage to property.

Safety of others

- ◆ This tool can be used by children aged from 8 years and above and persons with reduced physical, sensory or mental capabilities or lack of experience and knowledge if they have been given supervision or instruction concerning use of the appliance in a safe way and understand the hazards involved.
- ◆ Children shall not play with the appliance. Cleaning and user maintenance shall not be made by children without supervision.

Residual risks

Additional residual risks may arise when using the tool which may not be included in the enclosed safety warnings. These risks can arise from misuse, prolonged use etc.

Even with the application of the relevant safety regulations and the implementation of safety devices, certain residual risks can not be avoided. These include:

- ◆ Injuries caused by touching any rotating/moving parts.
- ◆ Injuries caused when changing any parts, blades or accessories.
- ◆ Injuries caused by prolonged use of a tool. When using any tool for prolonged periods ensure you take regular breaks.
- ◆ Impairment of hearing.
- ◆ Health hazards caused by breathing dust developed when using your tool (example:- working with wood, especially oak, beech and MDF.)

Vibration

The declared vibration emission values stated in the technical data and the declaration of conformity have been measured

in accordance with a standard test method provided by EN 62841 and may be used for comparing one tool with another. The declared vibration emission value may also be used in a preliminary assessment of exposure.

Warning! The vibration emission value during actual use of the power tool can differ from the declared value depending on the ways in which the tool is used. The vibration level may increase above the level stated.

When assessing vibration exposure to determine safety measures required by 2002/44/EC to protect persons regularly using power tools in employment, an estimation of vibration exposure should consider, the actual conditions of use and the way the tool is used, including taking account of all parts of the operating cycle such as the times when the tool is switched off and when it is running idle in addition to the trigger time.

Labels on tool

The following pictograms are shown on the tool along with the date code:



Warning! To reduce the risk of injury, the user must read the instruction manual.

Electrical safety



This tool is double insulated; therefore no earth wire is required. Always check that the power supply corresponds to the voltage on the rating plate.

- ◆ If the supply cord is damaged, it must be replaced by the manufacturer or an authorised BLACK+DECKER Service Centre in order to avoid a hazard.

Features

This tool includes some or all of the following features.

1. Variable speed switch (KS701E, KS701PE) or On/Off switch (KS501)
2. Lock-on button
3. Saw blade locking lever
4. Shoe plate
5. Dust extraction outlet (KS701E and KS701PE only)
6. Pendulum stroke (KS701PE only)

Assembly

Warning! Before attempting any of the following operations, make sure that the tool is switched off and unplugged and that the saw blade has stopped. Used saw blades may be hot.

Fitting the saw blade (fig. A - KS701E and KS701PE)

- ◆ Hold the saw blade (7) as shown, with the teeth facing forward.

- ◆ Push the locking lever (3) away from the shoe plate (4).
- ◆ Insert the shank of the saw blade into the blade holder (8) as far as it will go.
- ◆ Release the locking lever (3).

Fitting the saw blade (fig. A - KS501)

- ◆ Before fitting or removing the saw blade (7) the saw blade support roller (17) must be adjusted to the rear position so that it does not contact the blade.
- ◆ Loosen (do not remove) the two screws (18).
- ◆ Hold the saw blade (7) with the teeth facing forward.
- ◆ Insert the shank of the saw blade (7) into the blade holder (8) as far as it will go.
- ◆ Slightly tighten the two screws (18) alternately to position the blade, then fully tighten the two screws (18).
- ◆ Adjust the saw blade support roller (17) as described above.
- ◆ To remove the saw blade (7), turn both screws (18) one turn counterclockwise.

Connecting a vacuum cleaner to the tool (fig. B - KS701E and KS701PE only)

- ◆ Slide the vacuum nozzle (9) into the dust extraction outlet (5).

Use

Adjusting the shoe plate for bevel cuts (fig. C)

Warning! Never use the tool when the saw shoe plate is loose or removed.

The shoe plate (4) can be set to a left or right bevel angle of 45°.

- ◆ Loosen the screws (10). Some models have one screw.
- ◆ Pull the shoe (4) forward, rotate the shoe to the left or right and push it back into the 45° location. (KS701E and KS701PE only).
- ◆ Push the shoe (4) back, rotate to the right and pull it back into the 45° location. (KS501 only).
- ◆ Tighten the screw.

To reset the shoe plate (4) for 90° cuts:

- ◆ Loosen the screw (10).
- ◆ Pull the shoe (4) forward, rotate to the centre and push it back into the 0° location.
- ◆ Tighten the screw.

Variable speed control (KS701E and KS701PE only)

- ◆ Use a high speed for wood, medium speed for aluminium and PVC and low speed for metals other than aluminium.

Switching on and off

- ◆ To switch the tool on, press the variable speed switch (KS701E and KS701PE) or the On/Off switch (KS501) (1).

On KS701E and KS701PE units the speed depends on how far you depress the switch.

- ◆ For continuous operation, press the lock-on button (2) and press the variable speed switch. This option is available only at full speed.
- ◆ To switch the tool off, release the variable speed switch. To switch the tool off, when in continuous operation, press the variable speed switch once more and release it.

How to Use the Sightline® Feature (fig. D)

- ◆ Use a pencil to mark the cutting line.
- ◆ Position the jig saw over the line (11).

Viewing from directly above the jig saw, the line of cut can be followed easily.

Cutting mode (KS701PE only)

Pendulum stroke or action provides a more aggressive blade motion and is designed for cutting soft materials such as wood or plastic. It provides a faster cut, but with a less smooth cut across the material. Your jig saw has a Pendulum Stroke dial. Use of this dial is explained in the next section.

Note: Never use pendulum action to cut metal.

Pendulum Stroke dial (fig. E - KS701PE only)

The KS701PE has these four cutting modes with increasing amounts of pendulum action:

- ◆ Position 0: metal and aluminium and sheet metal (no pendulum action).
- ◆ Position 1: for laminates, hard wood, work tops.
- ◆ Position 2: for plywood and PVC/Plastics.
- ◆ Position 3: for soft wood and fast cutting.

To adjust the pendulum action:

- ◆ Rotate the Pendulum Stroke dial (6) to the required position.

Sawing

Hold the tool firmly with both hands while cutting.

The shoe plate (4) should be held firmly against the material being cut. This will help prevent the saw from jumping, reduce vibration and minimise blade breakage.

- ◆ Let the blade run freely for a few seconds before starting the cut.
- ◆ Apply only a gentle pressure to the tool while performing the cut.

Hints for optimum use

Sawing laminates

When cutting laminates, splintering may occur which can damage the presentation surface. The most common saw blades cut on the upward stroke, therefore if the shoe plate is

sitting on the presentation surface either use a saw blade that cuts on the downward stroke or:

- ◆ Use a fine-tooth saw blade.
- ◆ Saw from the back surface of the workpiece.
- ◆ To minimise splintering, clamp a piece of scrap wood or hardboard to both sides of the workpiece and saw through this sandwich.

Sawing metal

Warning! Do not use a vacuum when cutting metal. Metal filings will be hot and may cause fire.

Be aware that sawing metal takes much more time than sawing wood.

- ◆ Use a saw blade suitable for sawing metal.
- ◆ When cutting thin sheet metal, clamp a piece of scrap wood to the back surface of the workpiece and cut through this sandwich.
- ◆ Spread a film of oil along the intended line of cut.

Rip Fence (KS701E and KS701PE only)

Ripping and circle cutting without a pencil line are easily done with a rip fence and circle guide (available as an optional extra - part number X43005-XJ).

Attaching Rip Fence (figs. F & G)

- ◆ Insert rip fence (14) into the shoe plate slots with the cross bar facing down as shown in figure F.
- ◆ Place screw (15) into hole in bottom of shoe plate.
- ◆ Align clamp bar (16) over screw with lipped edge facing down and pointing towards the rear of the saw.
- ◆ Using a phillips screwdriver, run the screw into the threaded hole in the bar clamp as shown in figure G.
- ◆ Adjust to width of cut and tighten screw.

Circle Cutting (fig. H - KS701E and KS701PE only)

- ◆ Insert rip fence into slot on the right side of shoe plate with cross bar facing up.
- ◆ Adjust rip fence so that distance from blade to hole in cross bar is the desired radius and tighten screw.
- ◆ Place saw so that centre of hole in cross bar is over centre of circle to be cut (make plunge cut, drill hole for blade or cut inward from edge of material to get blade into position).
- ◆ When saw is properly positioned, drive a small nail through hole in cross bar into exact centre of circle to be cut.
- ◆ Using rip fence as a pivot arm, begin cutting circle.

Plunge Cutting (fig. I)

A plunge cut is an easy method of making an inside cut. The saw can be inserted directly into a panel or board without first drilling a lead or pilot hole. In plunge cutting, measure the surface to be cut and mark clearly with a pencil. Next tip

the saw forward until the front end of the shoe sits firmly on the work surface and the blade clears the work through its full stroke. Switch the tool on and allow it to attain maximum speed. Grip the saw firmly and lower the back edge of tool slowly until the blade reaches its complete depth. Hold the shoe flat against the wood and begin cutting. Do not remove blade from cut while it is still moving. Blade must come to a complete stop.

Maintenance

Your BLACK+DECKER tool has been designed to operate over a long period of time with a minimum of maintenance. Continuous satisfactory operation depends upon proper tool care and regular cleaning.

- ◆ Regularly clean the ventilation slots in your tool using a soft brush or dry cloth.
- ◆ Regularly clean the motor housing using a damp cloth. Do not use any abrasive or solvent-based cleaner. Never let any liquid get inside the tool and never immerse any part of the tool into liquid.

Mains plug replacement (U.K. & Ireland only)

If a new mains plug needs to be fitted:

- ◆ Safely dispose of the old plug.
- ◆ Connect the brown lead to the live terminal in the new plug.
- ◆ Connect the blue lead to the neutral terminal.

Warning! No connection is to be made to the earth terminal. Follow the fitting instructions supplied with good quality plugs. Recommended fuse: 5 A.

Protecting the environment



Separate collection. Products and batteries marked with this symbol must not be disposed of with normal household waste..

Products and batteries contain materials that can be recovered or recycled reducing the demand for raw materials. Please recycle electrical products and batteries according to local provisions. Further information is available at www.2helpU.com

Technical data

		KS501 (Type 1)	KS701E (Type 2)	KS701PE (Type 2)
Input voltage	V _{AC}	230	230	230
Power input	W	400	520	520
No-load speed	Min ⁻¹	3,000	0-3,000	0-3,000
Max depth of cut				
Wood	mm	65	70	70
Steel	mm	5	5	5
Aluminium	mm	10	15	15
Weight	kg	1.3	1.6	1.7

Level of sound pressure according to EN 62841:

Sound pressure (L_{pa}) 89 dB(A), uncertainty (K) 5 dB(A)

Sound power (L_{wa}) 100 dB(A), uncertainty (K) 5 dB(A)

Vibration total values (triax vector sum) according to EN 62841:

Cutting chipboard (a_{h,B}) 12.5 m/s², uncertainty (K) 1.5 m/s²

Cutting sheet metal (a_{n,M}) 12.6 m/s², uncertainty (K) 1.5 m/s²

EC declaration of conformity

MACHINERY DIRECTIVE



KS501, KS701E, KS701PE - Jig Saw

Black & Decker declares that these products described under "technical data" are in compliance with: EN62841-1:2015, EN62841-2-11:2016

These products also comply with directive 2006/42/EC, 2014/30/EU and 2011/65/EU.

For more information, please contact Black & Decker at the following address or refer to the back of the manual.

The undersigned is responsible for compilation of the technical file and makes this declaration on behalf of Black & Decker.

A. Smith
 Technical Director
 Black & Decker Europe, 210 Bath Road, Slough,
 Berkshire, SL1 3YD
 United Kingdom
 22/01/2019

Garantie

Black & Decker is confident of the quality of its products and offers consumers a 24 month guarantee from the date of purchase. This guarantee is in addition to and in no way prejudices your statutory rights. The guarantee is valid within the territories of the Member States of the European Union and the European Free Trade Area.

To claim on the guarantee, the claim must be in accordance with Black & Decker Terms and Conditions and you will need to submit proof of purchase to the seller or an authorised repair agent. Terms and conditions of the Black & Decker 2 year guarantee and the location of your nearest authorised repair agent can be obtained on the Internet at www.2helpU.com, or by contacting your local Black & Decker office at the address indicated in this manual.

Please visit our website www.blackanddecker.co.uk to register your new Black & Decker product and receive updates on new products and special offers.

Bestimmungsgemäße Verwendung

Ihre BLACK+DECKER KS501, KS701E, KS701PE Stichsäge wurde zum Sägen von Holz, Kunststoff und Metallblechen entwickelt. Dieses Gerät ist nicht für den gewerblichen Einsatz vorgesehen.

Sicherheitshinweise

Allgemeine Sicherheitswarnungen für das Gerät



Warnung! Beachten Sie alle Sicherheitshinweise, Anweisungen, Darstellungen und Daten, die Sie mit dem Gerät erhalten. Die Nichteinhaltung der folgenden Warnungen und Anweisungen kann einen elektrischen Schlag, Brand und/oder schwere Verletzungen verursachen.

Bewahren Sie alle Sicherheitswarnungen und Anweisungen gut auf. Der nachfolgend verwendete Begriff "Gerät" bezieht sich auf netzbetriebene Geräte (mit Netzkabel) und auf akkubetriebene Geräte (ohne Netzkabel).

1. Sicherheit im Arbeitsbereich

- a. **Halten Sie Ihren Arbeitsbereich sauber und gut ausgeleuchtet.** Unaufgeräumte oder dunkle Bereiche begünstigen Unfälle.
- b. **Betreiben Sie das Gerät nicht in Umgebungen, in denen Explosionsgefahr z. B. aufgrund von brennbaren Flüssigkeiten, Gasen oder Staub besteht.** Geräte erzeugen Funken, die den Staub oder die Dämpfe entzünden können.
- c. **Halten Sie Kinder und andere Personen während der Benutzung eines Geräts fern.** Bei Ablenkung können Sie die Kontrolle verlieren.

2. Elektrische Sicherheit

- a. **Der Netzstecker des Geräts muss in die Steckdose passen. Ändern Sie niemals den Stecker in irgendeiner Form. Verwenden Sie keinerlei Adapterstecker an geerdeten Elektrogeräten.** Unveränderte Stecker und passende Steckdosen mindern die Gefahr eines elektrischen Schlages.
- b. **Vermeiden Sie Körperkontakt mit geerdeten Oberflächen von Rohren, Heizungen, Herden und Kühlschränken.** Es besteht eine erhöhte Gefahr für einen elektrischen Schlag, wenn Ihr Körper geerdet ist.
- c. **Halten Sie Geräte von Regen und Nässe fern.** Das Eindringen von Wasser in ein Gerät erhöht das Risiko eines elektrischen Schlags.
- d. **Verwenden Sie das Kabel ordnungsgemäß. Verwenden Sie es niemals zum Tragen. Trennen Sie das Gerät nicht durch Ziehen am Kabel vom Netz. Halten Sie das Kabel fern von Hitze, Öl, scharfen**

Kanten oder beweglichen Teilen. Beschädigte oder verhedderte Kabel erhöhen die Gefahr eines elektrischen Schlages.

- e. **Verwenden Sie nur für den Außenbereich zugelassene Verlängerungskabel, wenn Sie mit dem Gerät im Freien arbeiten.** Die Verwendung eines für den Außenbereich geeigneten Verlängerungskabels verringert das Risiko eines elektrischen Schlages.
- f. **Wenn das Gerät in einer feuchten Umgebung verwendet werden muss, schließen Sie es unbedingt an eine Steckdose mit Fehlerstromschutzschalter (FI-Schalter) an.** Ein Fehlerstromschutzschalter verringert das Risiko eines elektrischen Schlages.

3. Sicherheit von Personen

- a. **Seien Sie aufmerksam, achten Sie darauf, was Sie tun, und gehen Sie sachgerecht mit einem Gerät um. Benutzen Sie kein Gerät, wenn Sie müde sind oder unter dem Einfluss von Drogen, Alkohol oder Medikamenten stehen.** Ein Moment der Unachtsamkeit beim Betrieb eines Geräts kann zu schweren Verletzungen führen.
- b. **Verwenden Sie eine geeignete Schutzausrüstung. Tragen Sie immer einen Augenschutz.** Das Tragen persönlicher Schutzausrüstung, wie Staubmaske, rutschfeste Sicherheitsschuhe, Schutzhelm oder Gehörschutz, je nach Art und Einsatz des Geräts, verringert das Risiko von Verletzungen.
- c. **Vermeiden Sie eine unbeabsichtigte Inbetriebnahme. Vergewissern Sie sich, dass das Gerät ausgeschaltet ist, bevor Sie es an eine Steckdose oder einen Akku anschließen, es hochheben oder tragen.** Wenn Sie beim Tragen des Geräts den Finger am Schalter haben oder das Gerät eingeschaltet an die Stromversorgung anschließen, kann dies zu Unfällen führen.
- d. **Entfernen Sie Einstell- oder Schraubenschlüssel, bevor Sie das Gerät einschalten.** Werkzeuge oder Schlüssel, die an rotierenden Teilen des Geräts angebracht sind, können zu Verletzungen führen.
- e. **Beugen Sie sich nicht zu weit nach vorne. Sorgen Sie für einen sicheren Stand und halten Sie jederzeit das Gleichgewicht.** Dadurch können Sie das Gerät in unerwarteten Situationen besser kontrollieren.
- f. **Tragen Sie geeignete Kleidung. Tragen Sie keine weite Kleidung und keinen Schmuck. Halten Sie Ihre Haare, Kleidung und Handschuhe von beweglichen Teilen fern.** Lose sitzende Kleidung, Schmuck oder lange Haare können sich in den beweglichen Teilen verfangen.
- g. **Falls Vorrichtungen zum Absaugen oder Auffangen von Staub vorhanden sind, vergewissern Sie sich, dass diese angeschlossen sind und richtig verwendet werden.** Das Verwenden einer Staubfangvorrichtung verringert Gefährdungen durch Staub.

- h. **Vermeiden Sie, durch die häufige Nutzung des Werkzeugs in einen Trott zu verfallen und Prinzipien für die Werkzeugsicherheit zu ignorieren.** Eine unachtsame Aktion kann im Bruchteil einer Sekunde zu schweren Verletzungen führen.

4. Gebrauch und Pflege von Geräten

- a. **Überlasten Sie das Gerät nicht. Verwenden Sie das für Ihre Arbeit passende Gerät.** Das richtige Gerät wird die Aufgabe besser und sicherer erledigen, wenn es bestimmungsgemäß verwendet wird.
- b. **Verwenden Sie das Gerät nicht, wenn der Ein-/Ausschalter nicht funktioniert.** Ein Gerät, das sich nicht mehr ein- oder ausschalten lässt, ist gefährlich und muss repariert werden.
- c. **Ziehen Sie den Stecker aus der Steckdose, oder trennen Sie das Gerät vom Akku, bevor Sie Einstellungen vornehmen, Zubehörteile wechseln oder das Gerät lagern.** Diese Vorbeugemaßnahmen mindern die Gefahr, dass das Elektrogerät unbeabsichtigt startet.
- d. **Bewahren Sie unbenutzte Geräte außerhalb der Reichweite von Kindern auf. Lassen Sie Geräte nicht von Personen benutzen, die damit nicht vertraut sind oder diese Anweisungen nicht gelesen haben.** Geräte sind in den Händen nicht geschulter Personen gefährlich.
- e. **Halten Sie das Gerät und sein Zubehör in einem einwandfreien Zustand. Kontrollieren Sie, ob bewegliche Teile falsch ausgerichtet sind oder klemmen und ob Teile gebrochen oder so beschädigt sind, dass die Funktion des Geräts beeinträchtigt ist. Bei Beschädigungen lassen Sie das Gerät reparieren, bevor Sie es verwenden.** Viele Unfälle entstehen wegen mangelnder Wartung der Geräte.
- f. **Halten Sie Schneidgeräte scharf und sauber.** Richtig gewartete Schneidwerkzeuge mit scharfen Klingen blockieren seltener und sind leichter unter Kontrolle zu halten.
- g. **Verwenden Sie Gerät, Zubehör, Einsatz-Bits usw. Entsprechend diesen Anweisungen und berücksichtigen Sie dabei die Arbeitsbedingungen und die auszuführende Arbeit.** Der Gebrauch von Geräten für andere als die vorgesehenen Zwecke kann zu gefährlichen Situationen führen.
- h. **Halten Sie die Griffe trocken, sauber und frei von Öl und Fett.** Rutschige Griffe und fettige Oberflächen unterbinden die sichere Bedienbarkeit und Kontrolle über das Werkzeug in unerwarteten Situationen.

5. Gebrauch und Pflege von Akkuwerkzeugen

- a. **Laden Sie den Akku nur mit dem vom Hersteller vorgesehenen Ladegerät auf.** Für ein Ladegerät, das

- nur für eine bestimmte Akkuart geeignet ist, besteht Brandgefahr, wenn es mit anderen Akkus verwendet wird.
- b. **Verwenden Sie nur die für das jeweilige Gerät vorgesehenen Akkus.** Die Verwendung anderer Akkus kann zu Verletzungen oder Bränden führen.
 - c. **Bewahren Sie den Akku bei Nichtbenutzung nicht in der Nähe metallischer Objekte wie Büroklammern, Münzen, Schlüsseln, Nägeln oder Schrauben auf, da diese eine Verbindung zwischen beiden Polen des Akkus herstellen können.** Durch den dadurch entstehenden Kurzschluss kann der Akku in Brand geraten.
 - d. **Bei falscher Anwendung kann Flüssigkeit aus dem Akku austreten. Vermeiden Sie den Kontakt damit. Bei unbeabsichtigtem Kontakt mit Wasser abspülen. Gelangt die Flüssigkeit in die Augen, ziehen Sie außerdem ärztliche Hilfe hinzu.** Austretende Akkuflüssigkeit kann zu Hautreizungen oder Verbrennungen führen.
 - e. **Verwenden Sie keine Akkus oder Werkzeuge, die beschädigt sind oder modifiziert wurden.** Beschädigte oder modifizierte Akkus können sich unvorhersehbar verhalten und stellen ein Risiko von Feuer, Explosionen oder Verletzungen dar.
 - f. **Setzen Sie Akkus und Werkzeuge keinem Feuer oder extremen Temperaturen aus.** Die Einwirkung von Feuer oder Temperaturen über 130°C kann zu Explosionen führen.
 - g. **Befolgen Sie alle Anweisungen zum Aufladen und laden Sie den Akku oder das Werkzeug nicht jenseits des in der Anleitung angegebenen Temperaturbereichs auf.** Das falsche Aufladen oder das Aufladen bei Temperaturen jenseits des angegebenen Bereichs kann den Akku beschädigen und das Brandrisiko erhöhen.
5. **Service**
- a. **Lassen Sie das Gerät nur von qualifiziertem Fachpersonal und nur mit Originalersatzteilen reparieren.** Damit wird sichergestellt, dass die Sicherheit des Geräts erhalten bleibt.

Zusätzliche Sicherheitswarnungen für das Gerät



Achtung! Sicherheitshinweise für alle Sägen

- ◆ **Halten Sie das Gerät an den isolierten Griffflächen fest, wenn Sie Arbeiten ausführen, bei denen verdeckte Kabel durch Werkzeuge beschädigt werden können.** Der Kontakt mit stromführenden Leitungen kann auch offenliegende Metallteile am Gerät unter Strom setzen und zu einem Stromschlag führen.

- ◆ **Fixieren Sie das Werkstück mit Zwingen oder ähnlichen Hilfsmitteln auf einer stabilen Oberfläche.** Ein Werkstück, das mit der Hand oder gegen den Körper gehalten wird, ist unzureichend befestigt und kann leicht außer Kontrolle geraten.
- ◆ **Halten Sie Ihre Hände von der Schneidzone fern.** Greifen Sie niemals unter das zu schneidende Werkstück. Bewegen Sie Ihre Finger nicht in die Nähe des sich bewegenden Sägeblattes und dessen Klemme. Versuchen Sie nicht, die Säge zu stabilisieren, indem Sie diese am Sägeschuh halten.
- ◆ **Halten Sie die Sägeblätter scharf.** Stumpfe oder beschädigte Sägeblätter können dazu führen, dass die Säge unter Druck blockiert oder ausbricht. Verwenden Sie immer ein für das jeweilige Werkstück und die Schnittart geeignetes Sägeblatt.
- ◆ **Achten Sie beim Sägen von Rohren oder Leitungen darauf, dass diese frei von Wasser, Stromkabeln und Ähnlichem sind.**
- ◆ **Berühren Sie das Werkstück oder das Sägeblatt nicht direkt nach dem Gebrauch.** Beides kann sehr heiß werden.
- ◆ **Achten Sie auch auf nicht sichtbare Gefahren, wenn Sie in Wände, Böden oder Decken sägen.** Prüfen Sie diese Stellen auf dahinter liegende Kabel oder Rohre.
- ◆ **Das Sägeblatt bewegt sich auch dann noch, wenn Sie den Schalter losgelassen haben.** Schalten Sie das Gerät vor dem Ablegen stets aus, und warten Sie, bis das Sägeblatt zum Stillstand gekommen ist.

Achtung! Die Berührung und das Einatmen von Stäuben, die beim Sägen von Materialien entstehen, können beim Bediener und bei Zuschauern gesundheitliche Schäden verursachen. Tragen Sie eine speziell für den Schutz vor Staub und Dämpfen vorgesehene Staubmaske, und stellen Sie sicher, dass auch andere Personen entsprechend geschützt sind, die den Arbeitsplatz betreten oder sich dort aufhalten.

- ◆ In dieser Anleitung ist die bestimmungsgemäße Verwendung beschrieben. Die Verwendung von Zubehör oder Anbauteilen, die nicht in dieser Anleitung empfohlen sind, sowie die Bedienung des Geräts in Abweichung von den in dieser Anleitung beschriebenen Verfahren können zu Verletzungen und/oder Sachschäden führen.

Sicherheit anderer Personen

- ◆ Dieses Gerät darf von Kindern ab 8 Jahren und Personen mit eingeschränkten körperlichen, sensorischen oder geistigen Fähigkeiten sowie mangelnder Erfahrung und Wissen in Bezug auf dessen Gebrauch bedient werden, wenn sie bei der Verwendung des Geräts beaufsichtigt oder angeleitet werden und die möglichen Gefahren verstehen.

- ◆ Kinder dürfen nicht mit dem Gerät spielen. Reinigung und Wartungsarbeiten dürfen von Kindern nur unter Aufsicht durchgeführt werden.



Achtung! Lesen Sie vor Gebrauch die Anleitung. Andernfalls besteht Verletzungsgefahr.

Restrisiken

Beim Gebrauch dieses Geräts verbleiben zusätzliche Restrisiken, die möglicherweise nicht in den Sicherheitswarnungen genannt werden. Diese Risiken bestehen beispielsweise bei Missbrauch oder längerem Gebrauch.

Auch bei der Einhaltung der entsprechenden Sicherheitsvorschriften und der Verwendung aller Sicherheitsgeräte bestehen weiterhin bestimmte Restrisiken. Diese werden im Folgenden aufgeführt:

- ◆ Verletzungen, die durch das Berühren von sich drehenden/bewegenden Teilen verursacht werden.
- ◆ Verletzungen, die durch das Austauschen von Teilen, Messern oder Zubehör verursacht werden.
- ◆ Verletzungen, die durch längeren Gebrauch eines Geräts verursacht werden. Legen Sie bei längerem Gebrauch regelmäßige Pausen ein.
- ◆ Beeinträchtigung des Gehörs.
- ◆ Gesundheitsrisiken durch das Einatmen von Staub beim Verwenden des Geräts (beispielsweise bei Holzarbeiten, insbesondere Eiche, Buche und Pressspan).

Vibration

Die in den Abschnitten "Technische Daten" und "EU-Konformitätserklärung" angegebenen Werte für die Vibrationsemission wurden mit einer Standard-Prüfmethode nach EN 62841 ermittelt und können zum Vergleich verschiedener Geräte herangezogen werden. Außerdem kann mit Hilfe dieses Werts die Belastung bei Verwendung des Geräts schon im Voraus eingeschätzt werden.

Achtung! Die bei Verwendung des Geräts auftretende Vibrationsemission hängt von der Art des Gerätegebrauchs ab und kann dementsprechend von dem angegebenen Wert abweichen. Gegebenenfalls kann die Vibration über dem angegebenen Wert liegen

Für die Ermittlung der Vibrationsbelastung müssen die tatsächlichen Einsatzbedingungen und Verwendungen des Geräts während des gesamten Arbeitsgangs berücksichtigt werden, einschließlich der Zeiten, in denen das Gerät nicht verwendet oder im Leerlauf betrieben wird. Diese Werte werden benötigt, um die gemäß 2002/44/EG erforderlichen Sicherheitsmaßnahmen zum Schutz von Personen festlegen zu können.

Warnsymbole am Gerät

Am Gerät sind die folgenden Warnsymbole inkl. Datumcode angebracht:

Elektrische Sicherheit



Dieses Gerät ist schutzisoliert, daher ist keine Erdleitung erforderlich. Überprüfen Sie stets, ob die Netzspannung der auf dem Typenschild des Geräts angegebenen Spannung entspricht.

- ◆ Ist das Netzkabel beschädigt, muss es durch den Hersteller oder eine BLACK+DECKER Vertragswerkstatt ausgetauscht werden, um eine mögliche Gefährdung zu vermeiden.

Merkmale

Dieses Gerät verfügt über einige oder alle der folgenden Merkmale:

1. Geschwindigkeitsregler (KS701E, KS701PE) oder Ein-/Ausschalter (KS501)
2. Feststellknopf
3. Hebel für Sägeblattverriegelung
4. Sägeschuh
5. Staubabsaugöffnung (nur KS701E und KS701PE)
6. Pendelhub (nur KS701PE)

Montage

Achtung! Vergewissern Sie sich vor Ausführung der folgenden Schritte, dass das Gerät ausgeschaltet und vom Stromnetz getrennt ist, und dass das Sägeblatt zum Stillstand gekommen ist. Nach Verwendung kann das Sägeblatt heiß sein.

Einsetzen des Sägeblatts (Abb. A – KS701E und KS701PE)

- ◆ Halten Sie das Sägeblatt (7) wie gezeigt mit den Zähnen nach vorne.
- ◆ Ziehen Sie den Verriegelungshebel (3) aus dem Sägeschuh (4) heraus.
- ◆ Setzen Sie den Schaft des Sägeblatts in den Sägeblatthalter (8) ein, und drücken Sie das Sägeblatt bis zum Anschlag nach unten.
- ◆ Lassen Sie den Verriegelungshebel (3) los.

Einsetzen des Sägeblatts (Abb. A – KS501)

- ◆ Die Führungsrolle für das Sägeblatt (17) muss vor dem Anbringen oder Entfernen des Sägeblatts (7) auf die hintere Position eingestellt werden, damit sie das Sägeblatt nicht berührt.
- ◆ Lösen Sie die beiden Schrauben, aber entfernen Sie sie nicht (18).
- ◆ Halten Sie das Sägeblatt (7) mit den Zähnen nach vorne.

- ◆ Setzen Sie den Schaft des Sägeblatts (7) in den Sägeblatthalter (8) ein, und setzen Sie das Sägeblatt bis zum Anschlag ein.
- ◆ Ziehen Sie die beiden Schrauben (18) abwechselnd leicht an, um das Sägeblatt in Position zu bringen. Ziehen Sie die beiden Schrauben (18) anschließend vollständig fest.
- ◆ Stellen Sie die Führungsrolle (17) für das Sägeblatt wie oben beschrieben ein.
- ◆ Um das Sägeblatt (7) zu entfernen, drehen Sie beide Schrauben (18) eine Umdrehung gegen den Uhrzeigersinn.

Anschließen eines Staubsaugers (Abb. B – nur KS701E und KS701PE)

- ◆ Bringen Sie die Staubsaugerdüse (9) an der Staubabsaugöffnung (5) an.

Gebrauch

Schwenken des Sägeschuhs für Gehrungsschnitte (Abb. C)

Achtung! Betreiben Sie das Gerät nicht mit losem oder abgenommenem Sägeschuh.

Der Sägeschuh (4) kann in einem Winkel von 45° nach links und rechts geschwenkt werden.

- ◆ Lösen Sie die Schrauben (10). Bei einigen Modellen ist nur eine Schraube vorhanden.
- ◆ Ziehen Sie den Sägeschuh (4) nach vorn, drehen Sie ihn nach links oder rechts, und schieben Sie die Platte zurück in die 45°-Position (nur KS701E und KS701PE).
- ◆ Ziehen Sie den Sägeschuh (4) zurück, schwenken Sie ihn nach rechts, und ziehen Sie ihn zurück in die 45°-Position (nur KS501).
- ◆ Ziehen Sie die Schrauben fest.

So bringen Sie den Sägeschuh (4) wieder in die 90°-Position:

- ◆ Lösen Sie die Schraube (10).
- ◆ Ziehen Sie den Sägeschuh (4) nach vorn, schwenken Sie ihn zur Mitte, und drücken Sie ihn nach hinten in die 0°-Position.
- ◆ Ziehen Sie die Schraube fest.

Drehzahlregler (nur KS701E und KS701PE)

- ◆ Wählen Sie für Holz eine hohe, für Aluminium und PVC ein mittlere und für andere Metalle eine niedrige Geschwindigkeit.

Ein- und Ausschalten

- ◆ Um das Gerät einzuschalten, drücken Sie den Geschwindigkeitsregler (KS701E und KS701PE) oder den Ein-/Ausschalter (KS501) (1). Bei KS701E- und KS701PE-

Geräten hängt die Geschwindigkeit davon ab, wie weit Sie den Schalter eindrücken.

- ◆ Für das Arbeiten im Dauerbetrieb drücken Sie den Feststellknopf (2) und den Geschwindigkeitsregler. Diese Option steht nur für den Betrieb bei voller Geschwindigkeit zur Verfügung.
- ◆ Um das Gerät auszuschalten, lassen Sie den Geschwindigkeitsregler los. Wenn sich das Gerät im Dauerbetrieb befindet, müssen Sie zum Ausschalten den Geschwindigkeitsregler erneut drücken und loslassen.

Verwenden der Sichtlinie® (Abb. D)

- ◆ Markieren Sie die Schnittlinie mit einem geeigneten Stift.
- ◆ Richten Sie die Stichsäge über der Linie (11) aus.

Wenn Sie von oben auf die Stichsäge blicken, können Sie der Schnittlinie problemlos folgen.

Schnittmodus (nur KS701PE)

Bei Pendelhub oder Pendelbewegung wird das Sägeblatt aggressiver geführt. Diese Bewegung ist für das Sägen von weichem Material wie Holz oder Plastik vorgesehen und ermöglicht einen schnelleren Schnitt, jedoch mit einer weniger glatten Schnittkante. Ihr Stichsäge verfügt über einen Pendelhubzahlregler. Der Gebrauch dieses Reglers wird im nächsten Abschnitt erläutert.

Hinweis: Schneiden Sie im Pendelhub niemals Metall.

Pendelhubzahlregler (Abb. E – nur KS701PE)

Der KS701PE verfügt über diese vier Schnittmodi mit sich erhöhenden Pendelbewegungen:

- ◆ Position **0:** Metall, Aluminium und Bleche (keine Pendelbewegung).
- ◆ Position **1:** für Laminat, Hartholz und Arbeitsplatten.
- ◆ Position **2:** für Sperrholz und PVC/Kunststoffe.
- ◆ Position **3:** für Weichholz und schnelle Schnitte.

So stellen Sie die Pendelbewegung ein:

- ◆ Drehen Sie den Pendelhubregler (6) auf die gewünschte Position.

Sägen

Halten Sie beim Sägen das Gerät mit beiden Händen fest. Die Grundplatte (4) sollte fest gegen das Werkstück gedrückt werden. So verhindern Sie ein Springen der Säge. Außerdem reduzieren Sie die Vibrationen, und Sie minimieren das Risiko eines Brechens des Sägeblatts.

- ◆ Lassen Sie das Sägeblatt einige Sekunden frei schwingen, bevor Sie mit der Arbeit beginnen.
- ◆ Üben Sie während des Sägens nur einen geringen Druck auf das Gerät aus.

Hinweise für optimale Arbeitsergebnisse

Sägen von Laminat

Beim Sägen von Laminat kann die sichtbare Oberfläche splintern. Der Schnittvorgang der meisten Sägeblätter geschieht bei der Aufwärtsbewegung. Verwenden Sie deshalb, wenn sich der Sägeschuh auf der Oberseite des Werkstücks befindet, ein Sägeblatt, dessen Schnittvorgang bei der Abwärtsbewegung stattfindet, oder:

- ◆ Verwenden Sie ein Sägeblatt mit feiner Zahnung.
- ◆ Drehen Sie das Werkstück um, und setzen Sie die Säge an der Unterseite an.
- ◆ Ausgefransete Kanten und Absplinterungen können Sie auch vermeiden, indem Sie das zu sägende Werkstück zwischen zwei Holz- oder Pressspanplatten einspannen und dieses "Sandwich" sägen.

Sägen von Metall

Achtung! Verwenden Sie beim Schneiden von Metall keinen Staubsauger. Metallspäne sind heiß und können Brände verursachen.

Das Sägen von Metall erfolgt wesentlich langsamer als bei Werkstücken aus Holz.

- ◆ Verwenden Sie ein Sägeblatt, das zum Sägen von Metall geeignet ist.
- ◆ Spannen Sie dünne Metallbleche zum Sägen auf eine Holz- oder Pressspanplatte.
- ◆ Bringen Sie einen dünnen Ölfilm entlang der beabsichtigten Schnittlinie auf.

Parallelanschlag (nur KS701E und KS701PE)

Längs- und kreisförmiges Schneiden ohne vorgezeichnete Schnittlinie wird mit Parallelanschlag und Kreisführung vereinfacht (optionales Zubehör – Teilenummer X43005-XJ).

Anbringen des Parallelenschlags (Abb. F und G)

- ◆ Setzen Sie den Parallelanschlag (14) in die Schlitz des Sägeschuhs mit der Anschlagschiene nach unten ein (siehe Abbildung F).
- ◆ Bringen Sie die Schrauben (15) an den Löchern unten am Sägeschuh an.
- ◆ Richten Sie die Schraubzwinde (16) über den Schrauben mit dem Stehfalz nach unten aus, sodass diese zur Rückseite der Säge zeigt.
- ◆ Drehen Sie die Schrauben mit einem Kreuzschlitzschraubendreher in das Gewindeloch der Schraubzwinde (siehe Abbildung G).
- ◆ Stellen Sie die Schnittgröße ein, und ziehen Sie die Schrauben fest.

Kreisförmiges Schneiden (Abb. H – nur KS701E und KS701PE)

- ◆ Setzen Sie den Parallelanschlag in den Schlitz auf der rechten Seite des Sägeschuhs mit der Anschlagschiene nach oben ein.
- ◆ Stellen Sie den Parallelanschlag ein, sodass die Entfernung zwischen Sägeblatt und Loch der Anschlagschiene den gewünschten Radius aufweist. Ziehen Sie die Schrauben fest.
- ◆ Platzieren Sie die Säge so, dass sich das Loch der Anschlagschiene über dem Mittelpunkt des zu schneidenden Kreises befindet. (Bohren Sie nach dem Eintauchschnitt ein Loch für das Blatt, oder schneiden Sie von der Kante nach innen, um das Blatt in Position zu bringen).
- ◆ Wenn sich die Säge in der richtigen Position befindet, führen Sie einen kleinen Nagel durch das Loch der Anschlagschiene in den exakten Kreismittelpunkt.
- ◆ Verwenden Sie den Parallelanschlag als Gelenkarm, und schneiden Sie den Kreis.

Eintauchschnitt (Abb. I)

Eine einfache Methode für Innenschnitte ist der Eintauchschnitt. Die Säge kann direkt in eine Platte oder ein Brett eingeführt werden. Eine Vorbohrung ist nicht erforderlich. Messen Sie bei Eintauchschnitten die zu schneidende Oberfläche ab, und markieren Sie diese mit einem geeigneten Stift. Kippen Sie dann die Säge nach vorne, bis die Vorderseite des Sägeschuhs fest auf der Arbeitsoberfläche aufliegt und das Sägeblatt den vollen Hub erreicht. Schalten Sie das Gerät ein, und warten Sie, bis die Höchstgeschwindigkeit erreicht wurde. Halten Sie die Säge fest, und senken Sie das hintere Ende des Geräts langsam ab, bis das Sägeblatt die maximale Schnitttiefe erreicht. Halten Sie den Sägeschuh flach gegen das zu schneidende Holz, und beginnen Sie mit dem Schneiden. Entfernen Sie keinesfalls ein sich bewegendes Sägeblatt von der Schneidzone. Warten Sie, bis das Sägeblatt vollständig zum Stillstand gekommen ist.

Wartung

Ihr BLACK+DECKER Gerät wurde im Hinblick auf eine lange Lebensdauer und einen möglichst geringen Wartungsaufwand entwickelt. Ein dauerhafter, einwandfreier Betrieb setzt eine regelmäßige Pflege und Reinigung voraus.

- ◆ Reinigen Sie regelmäßig die Lüftungsschlitze des Geräts mit Hilfe einer weichen Bürste oder eines trockenen Tuchs.
- ◆ Reinigen Sie das Motorgehäuse regelmäßig mit einem feuchten Tuch.
Verwenden Sie keine scheuernden Reinigungsmittel oder Reinigungsmittel auf Lösungsmittelbasis. Achten

Sie darauf, dass keine Flüssigkeit in das Gerät gelangt.
Tauchen Sie kein Teil des Geräts in Flüssigkeit ein.

Weitere Informationen erhalten Sie von Black & Decker unter der folgenden Adresse. Diese befindet sich auch auf der Rückseite dieser Anleitung.

Umweltschutz



Getrennte Entsorgung. Produkte und Batterien, die mit diesem Symbol gekennzeichnet sind, dürfen nicht im normalen Hausmüll entsorgt werden.

Produkte und Akkus enthalten Materialien, die wiederverwertet werden können, um den Bedarf an Rohstoffen zu verringern. Bitte recyceln Sie elektrische Produkte und Akkus gemäß den örtlichen Bestimmungen. Weitere Informationen finden Sie auf www.2helpU.com

Der Unterzeichnete ist verantwortlich für die Zusammenstellung der technischen Daten und gibt diese Erklärung im Namen von Black & Decker ab

A. Smith
Technical Director

Black & Decker Europe, 210 Bath Road, Slough, Berkshire,
SL1 3YD

Großbritannien
22/01/2019

Technische Daten

		KS501 (Type 1)	KS701E (Type 2)	KS701PE (Type 2)
Eingangsspannung	V_{AC}	230	230	230
Leistungsaufnahme	W	400	520	520
Leerlaufdrehzahl	Min ⁻¹	3,000	0-3,000	0-3,000
Maximale Schnitttiefe				
Holz	mm	65	70	70
Stahl	mm	5	5	5
Aluminium	mm	10	15	15
Weight	kg	1,3	1,6	1,7

Garantie

Black & Decker vertraut auf die Qualität der eigenen Geräte und bietet dem Käufer eine außergewöhnliche Garantie von 24 Monaten ab Kaufdatum. Diese Garantie versteht sich unbeschadet der gesetzlichen Gewährleistungsansprüche und schränkt diese keinesfalls ein. Diese Garantie gilt innerhalb der Staatsgebiete der Mitgliedstaaten der Europäischen Union und der Europäischen Freihandelszone.

Zur Inanspruchnahme dieser Garantie muss sie den allgemeinen Geschäftsbedingungen von Black & Decker entsprechen und dem Verkäufer bzw. der Vertragswerkstatt ist ein Kaufnachweis vorzulegen. Die Bedingungen für die 2-jährige Garantie von Black & Decker und den Standort Ihrer nächstgelegenen Vertragswerkstatt finden Sie im Internet unter www.2helpU.com oder indem Sie sich an die lokale Black & Decker-Niederlassung wenden, deren Adresse Sie in dieser Anleitung finden.

Ihr neues Black & Decker Produkt können Sie auf unserer Website unter www.blackanddecker.de registrieren. Dort erhalten Sie auch Informationen über neue Produkte und Sonderangebote.

EU-Konformitätserklärung MASCHINENRICHTLINIE



KS501, KS701E, KS701PE - Stichsäge

Black & Decker declares that these products described under "technical data" are in compliance with:
EN62841-1:2015, EN62841-2:11:2016

Diese Produkte entsprechen außerdem den Richtlinien
2006/42/EC, 2014/30/EU und 2011/65/EU.

Usage prévu

Votre scie sauteuse KS501, KS701E, KS701PE BLACK+DECKER a été spécialement conçue pour scier du bois, des plastiques et de la tôle. Cet outil est destiné à une utilisation exclusivement domestique.

Consignes de sécurité

Avertissements de sécurité générale liés aux outils électriques



Avertissement ! Veuillez lire tous les avertissements de sécurité, toutes les instructions, les illustrations et les spécifications fournies avec cet outil électrique. Le non-respect des avertissements et des instructions listés ci-dessous peut entraîner des chocs électriques, des incendies et/ou de graves blessures.

Conservez tous les avertissements et toutes les instructions afin de pouvoir vous y référer dans le futur. Le terme "outil électrique" mentionné dans tous les avertissements listés ci-dessous fait référence à vos outils électriques branchés sur secteur (avec câble) ou fonctionnant sur pile ou batterie (sans fil).

1. Sécurité de la zone de travail

- Maintenez la zone de travail propre et bien éclairée.**
Les zones sombres ou encombrées sont propices aux accidents.
- N'utilisez pas d'outils électriques dans un environnement présentant des risques d'explosion ou en présence de liquides, gaz ou poussières inflammables.** Les outils électriques créent des étincelles qui peuvent enflammer les poussières et les fumées.
- Maintenez les enfants et les autres personnes éloignés lorsqu'un outil électrique est en marche.**
Toute distraction peut vous faire perdre le contrôle de l'outil.

2. Sécurité électrique

- Les prises des outils électriques doivent correspondre à la prise de courant murale. Ne modifiez jamais la prise d'aucune sorte. N'utilisez aucun adaptateur avec des outils électriques reliés à la terre.** L'utilisation de prises d'origine et de prises murales appropriées permet de réduire le risque de choc électrique.
- Évitez tout contact physique avec des surfaces reliées à la terre comme des tuyaux, des radiateurs, des fours et des réfrigérateurs par exemple.** Il y a sinon un risque accru de choc électrique si votre corps est lui-même relié à la terre.

- N'exposez pas les outils électriques à la pluie, ni à l'humidité.** Le risque de choc électrique augmente si de l'eau pénètre dans un outil électrique.
- Ne tirez pas sur le cordon d'alimentation. N'utilisez jamais le cordon pour transporter, tirer ou débrancher l'outil électrique. Maintenez le cordon éloigné de la chaleur, de substances grasses, de bords tranchants ou de pièces mobiles.** Les cordons endommagés ou emmêlés augmentent le risque de choc électrique.
- Si vous utilisez un outil électrique à l'extérieur, utilisez une rallonge homologuée pour les travaux extérieurs.** L'utilisation d'une rallonge électrique homologuée pour les travaux en extérieur réduit le risque de choc électrique.
- Si l'utilisation d'un outil électrique dans un endroit humide est inévitable, utilisez une alimentation électrique protégée par un disjoncteur différentiel à courant résiduel (DDR).** L'utilisation d'un disjoncteur différentiel réduit le risque de choc électrique.

3. Sécurité des personnes

- Restez vigilant, surveillez ce que vous faites et faites preuve de bon sens lorsque vous utilisez un outil électrique. N'utilisez pas d'outils électriques si vous êtes fatigué ou sous l'influence de drogue, d'alcool ou de médicaments.** Tout moment d'inattention pendant l'utilisation d'un outil électrique peut engendrer de graves blessures.
- Portez des équipements de protection individuelle. Portez toujours une protection oculaire.** Les équipements de protection comme les masques à poussière, les chaussures de sécurité antidérapantes, les casques ou les protections auditives, utilisés à bon escient, réduisent le risque de blessures.
- Empêchez tout démarrage intempestif. Assurez-vous que l'interrupteur est en position Arrêt avant de raccorder l'outil à l'alimentation électrique et/ou au bloc-batterie ou avant de ramasser ou de transporter l'outil.** Le fait de transporter les outils électriques le doigt sur l'interrupteur ou d'alimenter les outils électriques dont l'interrupteur est déjà en position de marche augmente le risque d'accidents.
- Retirez toutes les clés ou pinces de réglage avant de mettre l'outil en marche.** Une clé ou une pince restée fixée sur une pièce rotative de l'outil électrique peut engendrer des blessures.
- Ne vous penchez pas. Gardez les pieds bien ancrés au sol et conservez votre équilibre en permanence.** Cela permet de mieux maîtriser l'outil électrique en cas de situations imprévues.
- Portez des vêtements appropriés. Ne portez aucun vêtement ample ou bijou. Gardez vos cheveux, vos vêtements et vos gants éloignés des pièces mobiles.**

Les vêtements amples, les bijoux ou les cheveux longs peuvent être happés par les pièces mobiles.

- g. Si des dispositifs pour le raccordement d'un extracteur de poussières ou des installations pour la récupération sont présents, assurez-vous qu'ils sont correctement raccordés et utilisés.** L'utilisation de dispositifs récupérateurs de poussières réduit les risques liés aux poussières.
- h. Ne pensez pas être familiarisé avec l'outil après l'avoir utilisé à de nombreuses reprises, au point de ne plus rester vigilant et d'en oublier les consignes de sécurité.** Toute action imprudente peut engendrer de graves blessures en une fraction de seconde.

4. Utilisation et entretien des outils électriques

- a. Respectez la capacité de l'outil. Utilisez l'outil approprié en fonction du travail à réaliser.** Un outil adapté fonctionne mieux, de façon plus sûre et à la cadence pour laquelle il a été conçu.
- b. N'utilisez pas l'outil électrique si son interrupteur ne permet pas de l'allumer ou de l'éteindre.** Tout outil électrique qui ne peut plus être commandé par son interrupteur est dangereux et doit être réparé.
- c. Débranchez la prise du secteur et/ou retirez le bloc-batterie de l'outil électrique avant d'effectuer tout réglage, de changer un accessoire ou de ranger l'outil électrique.** Ces mesures de sécurité préventives réduisent le risque de démarrage accidentel de l'outil électrique.
- d. Rangez les outils électriques non utilisés hors de portée des enfants et ne laissez aucune personne ne connaissant pas ces outils ou leurs instructions d'utilisation les faire fonctionner.** Les outils électriques peuvent être dangereux entre des mains inexpérimentées.
- e. Entretenez vos outils électriques et leurs accessoires. Vérifiez que les pièces mobiles sont alignées correctement et qu'elles ne sont pas coincées. Vérifiez qu'aucune pièce n'est cassée et contrôlez l'absence de toute autre condition qui pourrait nuire au bon fonctionnement de l'outil. En cas de dommage, faites réparer l'outil électrique avant de l'utiliser.** De nombreux accidents sont provoqués par des outils électriques mal entretenus.
- f. Maintenez les organes de coupe affûtés et propres.** Des organes de coupe bien entretenus et affûtés sont moins susceptibles de rester coincés et sont plus faciles à contrôler.
- g. Utilisez l'outil électrique, les accessoires et les embouts d'outils conformément à ces instructions, en tenant compte des conditions de travail, ainsi que du travail à effectuer.** L'utilisation d'un outil électrique à des fins autres que celles pour lesquelles il a été prévu engendre des situations dangereuses.

- h. Veillez à ce que les poignées et les surfaces de préhension restent sèches et propres, sans trace d'huile ou de graisse.** Des poignées glissantes et des surfaces grasses ne permettent pas de manipuler ou de contrôler l'outil de façon sûre en cas de situation inattendue.

5. Réparations

- a. Faites réparer votre outil électrique par une personne qualifiée, n'utilisant que des pièces de rechange d'origine.** Cela permet de garantir la sûreté de l'outil électrique.

Consignes de sécurité supplémentaires concernant les outils électroportatifs



Attention ! Consignes de sécurité pour toutes les scies

- ◆ **Tenez l'outil électrique au niveau des surfaces de prise isolées lorsque vous l'utilisez à des endroits où l'accessoire de coupe pourrait entrer en contact avec des fils cachés.** Tout contact de l'accessoire de coupe avec un fil « sous tension » pourrait transférer une charge électrique aux parties métalliques exposées de l'outil électrique et exposer l'opérateur à un choc électrique.
- ◆ **Utilisez des pinces ou autres pour fixer et soutenir la pièce de manière stable.** Si vous la tenez à la main ou contre votre corps, elle ne sera pas stable et vous pouvez en perdre le contrôle.
- ◆ **Éloignez vos mains des zones de découpe.** Ne cherchez jamais à atteindre le matériel par le dessous. Ne passez pas vos doigts ou pouces à proximité de la fixation de la lame et de la lame en mouvement. Ne cherchez pas à stabiliser la scie en attrapant la semelle.
- ◆ **Maintenez les lames aiguisées.** Les lames émoussées ou endommagées peuvent faire déraiper ou bloquer la scie pendant le fonctionnement. Utilisez toujours le type de lame approprié au matériau de la pièce à couper.
- ◆ **Avant de couper un tuyau ou une conduite, assurez-vous qu'il n'y a ni eau, ni fil électrique, etc.**
- ◆ **Ne touchez pas la pièce coupée ou la lame immédiatement après avoir utilisé l'outil.** Elles peuvent être très chaudes.
- ◆ **Prenez garde aux dangers cachés. Avant de couper des murs, des planchers ou des plafonds, vérifiez l'emplacement des câblages et tuyaux.**
- ◆ **Le va-et-vient de la lame continue après avoir relâché le bouton.** Après avoir arrêté la scie (Off), attendez que la lame se stabilise complètement avant de poser l'outil.

Attention ! Tout contact ou inhalation de poussières pendant la coupe peut représenter un danger pour la santé de l'opérateur ainsi, qu'éventuellement, des personnes autour. Portez un masque antipoussières spécialement conçu pour

vous protéger des sciures et des fumées toxiques et veillez à ce que les personnes se trouvant à l'intérieur de la zone de travail ou y pénétrant soient également protégées.

- ◆ L'usage prévu de l'outil est décrit dans le présent manuel d'instructions. L'utilisation d'un accessoire ou d'une fixation, ou bien l'utilisation de cet outil à d'autres fins que celles recommandées dans ce manuel d'instructions peut entraîner des blessures et/ou des dommages matériels.

Sécurité des personnes

- ◆ Cet outil peut être utilisé par des enfants âgés de 8 ans ou plus et par des personnes aux capacités physiques, mentales ou sensorielles déficientes ou qui manquent d'expérience ou de connaissance s'ils sont supervisés ou ont été formés à l'utilisation sûre de l'appareil et qu'ils sont conscients des risques potentiels.
- ◆ Ne laissez pas les enfants jouer avec l'appareil. Les enfants ne peuvent en aucun cas assurer le nettoyage et l'entretien sans surveillance.

Risques résiduels

L'utilisation d'une machine non mentionnée dans les consignes de sécurité données peut entraîner des risques résiduels supplémentaires. Ces risques peuvent survenir si l'appareil est mal utilisé, si l'utilisation est prolongée, etc. Malgré l'application des normes de sécurité correspondantes et la présence de dispositifs de sécurité, les risques résiduels suivants ne peuvent être évités. Ceci comprend :

- ◆ Les blessures dues au contact avec une pièce mobile/en rotation.
- ◆ Les blessures causées en changeant des pièces, lames ou accessoires.
- ◆ Les blessures dues à l'utilisation prolongée d'un outil. Une utilisation prolongée de l'outil nécessite des pauses régulières.
- ◆ Déficience auditive.
- ◆ Risques pour la santé causés par l'inhalation de poussières produites pendant l'utilisation de l'outil (exemple : travail avec du bois, surtout le chêne, le hêtre et les panneaux en MDF).

Vibration

La valeur des émissions de vibration déclarée dans la section Déclaration/Caractéristiques techniques de conformité a été mesurée selon une méthode d'essai standard fournie par la norme EN 62841 et peut être utilisée pour comparer un outil à un autre. Elle peut aussi être utilisée pour une évaluation préliminaire à l'exposition.

Attention ! Selon la manière dont l'outil est utilisé, la valeur des émissions de vibration pendant l'utilisation de l'outil peut être différente de la valeur déclarée. Le niveau de vibration peut augmenter au-dessus du niveau établi.

Quand l'exposition aux vibrations est évaluée afin de déterminer les mesures de sécurité requises par la norme 2002/44/CE pour protéger les personnes utilisant régulièrement des outils électroportatifs, il faut tenir compte d'une estimation de l'exposition aux vibrations, des conditions actuelles d'utilisation et de la manière dont l'outil est utilisé. Il faut aussi tenir compte de toutes les pièces du cycle de fonctionnement comme la durée pendant laquelle l'outil est arrêté et quand il fonctionne au ralenti, ainsi que la durée du déclenchement.

Étiquettes de l'outil

Outre le code de date, les symboles suivants sont apposés sur l'outil :



Attention ! Pour réduire le risque de blessures, l'utilisateur doit lire le manuel d'instructions.

Sécurité électrique



Cet outil est doublement isolé ; il ne nécessite donc pas de câble de mise à la terre. Vérifiez toujours si l'alimentation mentionnée sur la plaque signalétique de l'outil correspond bien à la tension présente sur le lieu.

- ◆ Si le câble d'alimentation est endommagé, il doit être remplacé par le fabricant ou par un centre de réparation agréé BLACK+DECKER pour éviter tout risque.

Caractéristiques

Cet outil présente la totalité ou une partie des caractéristiques suivantes.

1. Sélecteur de vitesse (KS701E, KS701PE) ou bouton marche/arrêt (KS501)
2. Bouton de verrouillage
3. Levier de blocage de lame
4. Semelle
5. Sortie de refoulement de poussière (KS701E et KS701PE uniquement)
6. Sélecteur de balancier (KS701PE uniquement)

Assemblage

Attention ! Avant d'exécuter ce qui suit, assurez-vous que l'outil est éteint et débranché et que la lame n'est pas en mouvement. Les lames, après utilisation, peuvent être chaudes.

Mise en place de la lame (figure A - KS701E et KS701PE)

- ◆ Maintenez la lame (7) comme indiqué, avec les dents orientées vers l'avant.

- ◆ Poussez le levier de verrouillage (3) à l'écart de la semelle (4).
- ◆ Insérez la tige de la lame dans le support de lame (8) le plus loin possible.
- ◆ Relâchez le levier de verrouillage (3).

Mise en place de la lame (figure A - KS501)

- ◆ Avant d'installer ou de retirer la lame de scie (7), le rouleau du support de lame (17) doit être ajusté vers l'arrière pour ne pas toucher la lame.
- ◆ Desserrez (sans retirer) les deux vis. (18).
- ◆ Maintenez la lame (7) avec les dents orientées vers l'avant.
- ◆ Insérez la tige de la lame (7) dans le support de lame (8) le plus loin possible.
- ◆ Serrez légèrement les deux vis (18) en alternance pour installer la lame, puis serrez complètement les deux vis (18).
- ◆ Ajustez le rouleau du support de lame (17), comme décrit ci-dessus.
- ◆ Pour retirer la lame (7), tournez les deux vis (18) d'un tour dans le sens contraire des aiguilles d'une montre.

Raccordement d'un aspirateur à l'outil (figure B - KS701E et KS701PE uniquement)

- ◆ Insérez le tuyau (9) de l'aspirateur dans la sortie de refoulement de poussière (5).

Utilisation

Réglage de la semelle pour la coupe en biais (figure C)

Attention ! N'utilisez jamais l'outil sans la semelle, ou si elle-ci est desserrée.

La semelle (4) peut être installée à un angle de biseau gauche ou droit de 45°.

- ◆ Desserrez les vis (10). Certains modèles ne possèdent qu'une seule vis.
- ◆ Tirez la semelle (4) vers l'avant, tournez-la vers la droite ou vers la gauche et repoussez-la en position 45° (KS701E et KS701PE uniquement).
- ◆ Poussez la semelle (4) vers l'arrière, tournez-la vers la droite ou vers la gauche et repoussez-la en position 45° (KS501 uniquement).
- ◆ Serrez les vis.

Pour remettre la semelle (4) en position de coupe à 90° :

- ◆ Desserrez la vis (10).
- ◆ Tirez la semelle (4) vers l'avant, tournez-la vers le centre et repoussez-la en position 0°.
- ◆ Serrez la vis.

Commande de vitesse variable (KS701E et KS701PE uniquement)

- ◆ La vitesse rapide correspond à la coupe du bois, la vitesse moyenne à la coupe de l'aluminium et du PVC et la faible vitesse à la coupe des métaux autres que l'aluminium.

Mise en marche et arrêt

- ◆ Pour mettre l'outil en marche, appuyez sur le sélecteur de vitesse (KS701E et KS701PE) ou sur le bouton marche/arrêt (KS501) (1). Sur les modèles KS701E et KS701PE, la vitesse varie en fonction de la pression que vous exercez sur le sélecteur.
- ◆ Pour un fonctionnement continu, appuyez sur le bouton de verrouillage (2) et sur le sélecteur de vitesse. Cette option n'est disponible qu'à la vitesse maximale.
- ◆ Pour arrêter l'outil, relâchez le sélecteur de vitesse. Pour arrêter l'outil quand celui-ci est en mode continu, appuyez de nouveau sur le sélecteur, puis relâchez-le.

Utilisation de la fonction Sightline® (figure D)

- ◆ Utilisez un crayon pour tracer la ligne de coupe.
- ◆ Positionnez la scie sur la ligne (11).

En regardant directement au-dessus de la scie, il est facile de suivre la ligne de coupe.

Mode de coupe (KS701PE uniquement)

L'action ou la course du balancier fournit un mouvement de lame plus agressif et est conçue pour couper des matériaux tendres tels que le bois ou le plastique. Elle permet une coupe plus rapide, mais moins lisse. Votre scie est équipée d'un sélecteur de balancier. Son utilisation est décrite à la section suivante.

Remarque : n'utilisez jamais l'action du balancier pour couper du métal.

Sélecteur de balancier (figure E - KS701PE uniquement)

Le modèle KS701PE possède les quatre modes de coupe suivants, avec accentuation de l'action de balancier :

- ◆ Position 0: métal, aluminium et tôle (pas d'action de balancier).
- ◆ Position 1: aggloméré, bois dur, plans de travail.
- ◆ Position 2: contreplaqué et plastique/PVC.
- ◆ Position 3: bois tendre et coupe rapide

Pour régler l'action du balancier :

- ◆ Tournez le sélecteur de balancier (6) sur la position requise.

Scier

Tenez fermement l'outil avec les deux mains pendant la découpe.

La semelle (4) doit s'appuyer fermement contre la pièce à découper. Ceci permet d'éviter les sursauts de la scie, de réduire les vibrations et de diminuer la casse des lames.

- ◆ Laissez la lame fonctionner librement pendant quelques secondes avant de commencer la découpe.
- ◆ N'appliquez qu'une légère pression sur l'outil pendant la découpe.

Conseils pour une utilisation optimale

Coupe de contreplaqué

Les éclats dus à la découpe du contreplaqué peuvent endommager la surface apparente. La plupart des lames coupent en montant. Si la semelle est posée sur la surface apparente, utilisez une lame qui coupe en descendant ou :

- ◆ Utilisez une lame à dents fines.
- ◆ Sciez à partir de l'arrière de la pièce.
- ◆ Pour limiter les éclats, serrez un morceau de bois ou de panneau dur des deux côtés de la pièce et sciez à travers cette épaisseur.

Coupe du métal

Attention ! N'utilisez pas un aspirateur lorsque vous coupez du métal. Les particules de métal chaudes peuvent provoquer un incendie.

N'oubliez pas que scier du métal prend beaucoup plus de temps que de scier du bois.

- ◆ Utilisez une lame adaptée à la coupe de métal.
- ◆ Pour couper une fine épaisseur de métal, serrez une pièce de bois à l'arrière de la pièce à couper et sciez à travers l'épaisseur.
- ◆ Répartissez un filet d'huile le long de la ligne de coupe.

Guide longitudinal (KS701E et KS701PE uniquement)

Vous pouvez réaliser aisément des coupes circulaires et longitudinales sans traçage en utilisant un guide longitudinal et circulaire (disponible sous forme d'option sous la référence X43005-XJ).

Fixation du guide longitudinal (figures F & G)

- ◆ Insérez le guide longitudinal (14) dans les fentes de la semelle en orientant la partie repliée vers le bas comme illustré à la figure F.
- ◆ Placez la vis (15) dans le trou situé au bas de la semelle.
- ◆ Alignez la barre de serrage (16) au-dessus de la vis en orientant le rebord face vers le bas et vers l'arrière de la scie.
- ◆ À l'aide d'un tournevis cruciforme, insérez la vis dans le trou fileté de la barre de serrage comme illustré à la figure G.
- ◆ Réglez la largeur de coupe et serrez la vis.

Coupe circulaire (figure H - KS701E et KS701PE uniquement)

- ◆ Insérez le guide longitudinal dans la fente sur le côté droit de la semelle en orientant la partie repliée face vers le haut.
- ◆ Réglez le guide longitudinal de façon à ce que la distance entre la lame et le trou de la partie repliée corresponde au rayon souhaité, puis serrez la vis.
- ◆ Placez la scie de manière à positionner le centre du trou de la partie repliée au-dessus du centre du cercle à couper (effectuez une coupe en plongée, percez le trou pour la lame ou coupez vers l'intérieur à partir du bord du matériau pour positionner la lame).
- ◆ Lorsque la scie est correctement positionnée, insérez un petit clou dans le trou de la partie repliée, à la position exacte du centre du cercle à couper.
- ◆ En utilisant le guide longitudinal comme bras pivot, commencez à couper le cercle.

Coupe en plongée (figure I)

La coupe en plongée constitue un moyen aisé d'effectuer une découpe intérieure. La scie peut être insérée directement dans un panneau ou une plaque sans devoir percer un trou de guidage ou un trou pilote au préalable. Pour effectuer une coupe en plongée, mesurez la surface à couper et délimitez-la clairement avec un crayon. Ensuite, inclinez la scie vers l'avant jusqu'à ce que le bord avant de la semelle repose fermement sur la surface de travail et que la lame soit dégagée de la surface de travail sur toute sa course.

Mettez l'outil sous tension et attendez qu'il atteigne la vitesse maximale. Saisissez fermement la scie et abaissez lentement son bord arrière jusqu'à ce que la lame atteigne sa profondeur complète. Maintenez la semelle à plat contre le bois et commencez la découpe. Ne retirez pas la lame de la découpe aussi longtemps qu'elle est en mouvement. Attendez qu'elle soit complètement arrêtée.

Entretien

Votre appareil BLACK+DECKER a été conçu pour fonctionner pendant longtemps avec un minimum d'entretien. Un fonctionnement continu satisfaisant dépend d'un nettoyage régulier et d'un entretien approprié de l'outil.

- ◆ Nettoyez régulièrement les orifices de ventilation de votre outil à l'aide d'une brosse souple ou d'un chiffon sec.
- ◆ Nettoyez régulièrement le compartiment du moteur à l'aide d'un chiffon humide. N'utilisez pas de nettoyant à base de solvant ou de produit abrasif. Évitez toute pénétration de liquide à l'intérieur de l'outil et ne plongez aucune partie de celui-ci dans le liquide.

Protection de l'environnement



Tri sélectif. Les produits et batteries marqués de ce symbole ne doivent pas être jetés avec les déchets ménagers.

Les produits et batteries contiennent des matières qui peuvent être récupérées et recyclées afin de réduire la demande en matières premières.

Veillez à recycler les produits électriques et les piles et batteries conformément aux dispositions locales en vigueur. Plus d'informations sont disponibles sur le site www.2helpU.com

Pour plus de détails, veuillez contacter Black & Decker à l'adresse suivante ou reportez-vous au dos du manuel.

Black & Decker confirme que les produits décrits dans les « Caractéristiques techniques » sont conformes aux normes :

A. Smith
Technical Director
Black & Decker Europe, 210 Bath Road, Slough,
Berkshire, SL1 3YD
Royaume-Uni
22/01/2019

Caractéristiques techniques

		KS501 (Type 1)	KS701E (Type 2)	KS701PE (Type 2)
Tension d'entrée	V_{AC}	230	230	230
Puissance absorbée	W	400	520	520
Vitesse à vide	Min ⁻¹	3,000	0-3,000	0-3,000
Profondeur de coupe maximum				
Bois	mm	65	70	70
Acier	mm	5	5	5
Aluminium	mm	10	15	15
Poids	kg	1,3	1,6	1,7

Niveau de pression sonore selon la norme EN 62841 :	
Pression sonore (L_{pA})	89 dB(A), incertitude (K) 5 dB(A)
Puissance sonore (L_{WA})	100 dB(A), incertitude (K) 5 dB(A)

Valeurs totales des vibrations (somme vectorielle triaxiale) selon la norme EN 62841 :	
Découpe d'aggloméré ($a_{h, \theta}$)	12,5 m/s ² , incertitude (K) 1,5 m/s ²
Découpe de tôle ($a_{h, \nu}$)	12,6 m/s ² , incertitude (K) 1,5 m/s ²

Déclaration de conformité CE

DIRECTIVES MACHINES



KS501, KS701E, KS701PE - scie sauteuse

Black & Decker confirme que les produits décrits dans les « Caractéristiques techniques » sont conformes aux normes :

EN62841-1:2015, EN62841-2-11:2016

Ces produits sont aussi conformes aux directives 2006/42/CE, 2014/30/UE et 2011/65/UE.

Garantie

Black & Decker assure la qualité de ses produits et offre une garantie de 24 mois aux utilisateurs, à partir de la date d'achat. Cette garantie s'ajoute à vos droits légaux auxquels elle ne porte aucunement préjudice. Cette garantie est valable au sein des territoires des États membres de l'Union Européenne et au sein de la Zone européenne de libre-échange.

Pour prétendre à la garantie, la réclamation doit être en conformité avec les conditions générales de Black & Decker et vous devez fournir une preuve d'achat au vendeur ou au réparateur agréé. Les conditions générales de la garantie de 2 ans Black & Decker ainsi que l'adresse du réparateur agréé le plus proche sont disponibles sur le site Internet www.2helpU.com ou en contactant votre agence Black & Decker locale à l'adresse indiquée dans ce manuel.

Veillez consulter notre site Internet www.blackanddecker.co.uk pour enregistrer votre nouveau produit Black & Decker et pour être tenu informé des nouveaux produits et offres spéciales.

Uso previsto

Il seghetto da traforo BLACK+DECKER KS501, KS701E, KS701PE è stato progettato per segare legno, plastica e lamiera. L'elettrotensile è stato progettato per un uso individuale.

Istruzioni di sicurezza

Avvertenze di sicurezza generali per gli elettrotensili



Avvertenza! Leggere attentamente tutte le avvertenze, istruzioni, illustrazioni e specifiche fornite con l'elettrotensile.

La mancata osservanza delle avvertenze e istruzioni elencate di seguito potrebbe dar luogo a scosse elettriche, incendi e/o infortuni gravi.

Conservare tutte le avvertenze e le istruzioni per consultazioni successive. Il termine "elettrotensile" che ricorre in tutte le avvertenze seguenti si riferisce ad utensili elettrici con o senza filo.

1. Sicurezza nell'area di lavoro

- Mantenere pulita e bene illuminata l'area di lavoro.** Gli ambienti disordinati o scarsamente illuminati favoriscono gli incidenti.
- Evitare di usare gli elettrotensili in ambienti esposti a rischio di esplosione, ad esempio in presenza di liquidi, gas o polveri infiammabili.** Gli elettrotensili generano scintille che possono incendiare le polveri o i fumi.
- Tenere lontani bambini e altre persone presenti mentre si usa un elettrotensile.** Eventuali distrazioni possono provocare la perdita di controllo dello stesso.

2. Sicurezza elettrica

- Le spine elettriche degli elettrotensili devono essere adatte alla presa. Non modificare la spina in alcun modo. Non utilizzare spine con adattatore con gli elettrotensili dotati di messa a terra.** Per ridurre il rischio di scossa elettrica evitare di modificare le spine e utilizzare sempre le prese di corrente appropriate.
- Evitare il contatto fisico con superfici collegate a terra, come tubi, radiatori, forni e frigoriferi.** Se il proprio corpo è collegato a terra, il rischio di scosse elettriche aumenta.
- Non esporre gli elettrotensili alla pioggia o all'umidità.** Se entra dell'acqua all'interno dell'elettrotensile, il rischio di scosse elettriche aumenta.
- Non utilizzare il cavo di alimentazione in modo improprio. Non spostare, tirare o scollegare mai l'elettrotensile tirandolo dal cavo. Tenere il cavo di alimentazione lontano da fonti di calore, olio, bordi**

taglienti o parti in movimento. Se il cavo di alimentazione è danneggiato o impigliato, il rischio di scossa elettrica aumenta.

- Se l'elettrotensile viene utilizzato all'aperto, usare esclusivamente prolunghie omologate per l'impiego all'esterno.** L'uso di un cavo di alimentazione adatto ad ambienti esterni riduce il rischio di scossa elettrica.
 - Se non è possibile evitare di lavorare in una zona umida, usare una rete elettrica protetta da un interruttore differenziale (RCD).** L'uso di un interruttore differenziale riduce il rischio di scossa elettrica.
- ### 3. Sicurezza delle persone
- È importante concentrarsi su ciò che si sta facendo e maneggiare con giudizio l'elettrotensile. Non utilizzare un elettrotensile quando si è stanchi o sotto l'effetto di droghe, alcool o medicinali.** Un solo attimo di distrazione durante l'uso dell'elettrotensile potrebbe provocare gravi lesioni personali.
 - Usare dispositivi di protezione individuale. Indossare sempre dispositivi di protezione per gli occhi.** L'uso di dispositivi di protezione, quali mascherine antipolvere, scarpe antinfortunistiche antiscivolo, elmetti o protezioni auricolari in condizioni opportune consente di ridurre le lesioni personali.
 - Impedire l'avviamento involontario. Accertarsi che l'interruttore di accensione sia nella posizione di spegnimento, prima di collegare l'elettrotensile alla rete elettrica e/o alla batteria, di prenderlo in mano o di trasportarlo.** Per non esporsi al rischio di incidenti, non trasportare l'elettrotensile tenendo le dita sull'interruttore di accensione e non collegarlo a una fonte di alimentazione elettrica con l'interruttore acceso.
 - Prima di accendere un elettrotensile, rimuovere gli eventuali utensili o chiavi di regolazione.** Un utensile di regolazione o una chiave inserito/a su una parte rotante dell'elettrotensile può provocare lesioni alle persone.
 - Non sbilanciarsi. Mantenere sempre un appoggio e un equilibrio adeguati.** In tal modo è possibile avere un migliore controllo dell'elettrotensile nelle situazioni impreviste.
 - Vestirsi adeguatamente. Non indossare abiti lenti o gioielli. Tenere i capelli, i vestiti e i guanti lontani dalle parti mobili.** Abiti larghi, gioielli o capelli lunghi possono impigliarsi nelle parti in movimento.
 - Se gli elettrotensili sono provvisti di attacchi per il collegamento di dispositivi di aspirazione o di raccolta della polvere, assicurarsi che questi siano installati e utilizzati correttamente.** L'impiego di dispositivi di raccolta delle polveri può ridurre i pericoli legati a queste ultime.
 - Non lasciare che la familiarità acquisita dall'uso frequente degli utensili induca a cedere alla tentazione**

di ignorare i principi di utilizzo sicuro degli stessi.

Un'azione imprudente potrebbe provocare lesioni gravi in una frazione di secondo.

Altri avvisi di sicurezza per gli elettroutensili



Attenzione! Istruzioni di sicurezza per tutte le seghe

4. Uso e cura dell'elettroutensile

- a. **Non sovraccaricare l'elettroutensile. Utilizzare l'elettroutensile adatto per il lavoro da eseguire.**
L'elettroutensile corretto funziona meglio e in modo più sicuro, se utilizzato alla velocità per cui è stato progettato.
- b. **Non utilizzare l'elettroutensile se l'interruttore di accensione/spengimento è difettoso.** Qualsiasi elettroutensile che non possa essere controllato tramite l'interruttore è pericoloso e deve essere riparato.
- c. **Scollegare la spina dalla presa di corrente e/o la batteria dall'elettroutensile prima di regolarlo, sostituirne gli accessori o riporlo in magazzino.**
Queste misure di sicurezza preventive riducono il rischio di azionare accidentalmente l'elettroutensile.
- d. **Quando non vengono usati, gli elettroutensili devono essere custoditi fuori dalla portata dei bambini. Non consentire l'uso dell'elettroutensile a persone inesperte o che non abbiano letto le presenti istruzioni d'uso.** Gli elettroutensili sono pericolosi in mano a persone inesperte.
- e. **Sottoporre gli elettroutensili e gli accessori a regolare manutenzione. Verificare che le parti mobili siano correttamente allineate e non inceppate, che non vi siano componenti rotti e che non sussistano altre condizioni che possono compromettere il funzionamento dell'elettroutensile. Se danneggiato, far riparare l'elettroutensile prima dell'uso.** Molti incidenti sono provocati da elettroutensili non sottoposti a corretta manutenzione.
- f. **Mantenere affilati e puliti gli utensili da taglio.** La manutenzione corretta degli utensili da taglio con bordi affilati riduce le probabilità di inceppamento e ne facilita il controllo.
- g. **Utilizzare l'elettroutensile, gli accessori, le punte, ecc. in conformità alle presenti istruzioni, tenendo conto delle condizioni operative e del lavoro da eseguire.** L'utilizzo dell'elettroutensile per impieghi diversi da quelli previsti può dare luogo a situazioni di pericolo.
- h. **Mantenere le impugnature e le superfici di presa asciutte, pulite e senza tracce di olio o grasso.** Impugnature e superfici di presa scivolose e unte non consentono di maneggiare e controllare in modo sicuro l'elettroutensile nel caso di imprevisti.

5. Riparazioni

- a. **Fare riparare l'elettroutensile esclusivamente da personale specializzato e solo utilizzando pezzi di ricambio originali.** In questo modo sarà possibile mantenere la sicurezza dell'elettroutensile.

- ◆ **Tenere l'elettroutensile afferrando le impugnature isolate se vi è la possibilità che l'accessorio di taglio possa venire a contatto con cavi nascosti o con il filo di alimentazione.** Il contatto tra l'accessorio di taglio e un filo sotto tensione mette sotto tensione le parti metalliche esposte dell'elettroutensile e potrebbe esporre l'operatore a scosse elettriche.
 - ◆ **Usare morsetti o altri metodi pratici per sorreggere e fissare il pezzo in lavorazione su una base stabile.** Un pezzo tenuto in mano o contro il corpo può diventare poco stabile e causare la perdita di controllo.
 - ◆ **Tenere le mani lontane dalla zona di taglio.** Non allungare mai le mani sotto il pezzo. Non infilare le dita o il pollice in prossimità della lama alternativa e del blocco lama. Non stabilizzare la sega afferrando la guida.
 - ◆ **Tenere affilate le lame.** Lame spuntate o danneggiate possono causare la deviazione o lo spegnimento della sega sotto sforzo. Usare sempre il corretto tipo di lama per il materiale da tagliare.
 - ◆ **Quando si taglia un tubo o una conduttura, accertarsi sempre che al loro interno non vi siano acqua o fili elettrici.**
 - ◆ **Non toccare il pezzo o la lama subito dopo aver fatto funzionare l'elettroutensile.** Potrebbero essere molto caldi.
 - ◆ **Essere consapevoli che vi possono essere dei pericoli nascosti: prima di praticare tagli in pareti, pavimenti o soffitti, controllare l'ubicazione di cablaggi e tubazioni.**
 - ◆ **La lama continua a muoversi dopo aver rilasciato l'interruttore.** Spegnerne sempre l'elettroutensile e attendere che la lama si fermi completamente prima di posarlo.
- Attenzione!** Il contatto o l'inhalazione della polvere generata dal taglio potrebbe nuocere alla salute dell'operatore e di eventuali astanti. Indossare una mascherina antipolvere specifica per polveri e fumi e controllare che anche le persone presenti o in arrivo nella zona di lavoro siano adeguatamente protette.
- ◆ L'uso previsto è descritto nel presente manuale. Se questo elettroutensile viene impiegato con accessori o per usi diversi da quelli raccomandati nel presente manuale, potrebbero verificarsi lesioni personali e/o danni alle cose.

Sicurezza altrui

- ◆ Questo elettroutensile può essere usato da bambini dagli 8 anni in su e da persone portatrici di handicap fisici, psichici o sensoriali o che non abbiano la dovuta

esperienza o conoscenza, sempre che siano seguite o opportunamente istruite sull'uso sicuro e comprendano i pericoli inerenti.

- ◆ I bambini non devono giocare con l'elettrodomestico. Gli interventi di pulizia e di manutenzione da parte dell'utente non devono essere eseguiti da bambini senza supervisione.

Altri rischi

L'utilizzo dell'elettrotensile può comportare altri rischi non indicati nei presenti avvisi di sicurezza. Tali rischi possono sorgere a seguito di un uso prolungato o improprio, ecc. Pur osservando le norme di sicurezza e utilizzando dispositivi di protezione adeguati, certi rischi non possono essere evitati. Essi comprendono:

- ◆ Lesioni causate o subite a seguito del contatto con parti rotanti/in movimento.
- ◆ Lesioni causate o subite durante la sostituzione di parti, lame o accessori.
- ◆ Lesioni causate dall'impiego prolungato di un elettrotensile. Quando si usa qualsiasi elettrotensile per lunghi periodi, accertarsi di fare regolarmente delle pause.
- ◆ Problemi di udito.
- ◆ Rischi per la salute causati dall'aspirazione di polvere generata dall'utilizzo dell'elettrodomestico (ad esempio quando si lavora con il legno, in modo particolare quello di quercia, faggio o l'MDF).

Vibrazioni

I valori dichiarati delle emissioni di vibrazioni al paragrafo Dati tecnici e nella Dichiarazione di conformità del presente manuale sono stati misurati in base al metodo di test standard previsto dalla normativa EN 62841 e possono essere usati come parametri di confronto tra due utensili. Il valore delle emissioni di vibrazioni dichiarato può anche essere usato come valutazione preliminare dell'esposizione.

Avvertenza! Il valore delle emissioni di vibrazioni durante l'impiego effettivo dell'elettrotensile può variare da quello dichiarato a seconda delle modalità d'uso. Il livello delle vibrazioni può aumentare oltre quello dichiarato.

Quando si valuta l'esposizione alle vibrazioni per determinare le misure di sicurezza richieste dalla normativa 2002/44/ CE per la protezione delle persone che usano regolarmente gli elettrotensili nello svolgimento delle proprie mansioni, è necessario prendere in considerazione le condizioni effettive di utilizzo e il modo in cui l'utensile è usato, oltre a tenere conto di tutte le componenti del ciclo operativo, come i periodi in cui l'elettrotensile è spento, quelli in cui è acceso ma a riposo e quelli in cui è effettivamente utilizzato.

Etichette sull'elettrotensile

Sull'elettrotensile sono presenti i seguenti simboli assieme al codice data:



Attenzione! Per ridurre il rischio di infortuni, l'utente deve leggere il manuale d'uso.

Sicurezza elettrica



Il doppio isolamento di cui è provvisto l'elettrotensile rende superfluo il filo di terra. Controllare sempre che l'alimentazione corrisponda alla tensione indicata sulla targhetta dei dati tecnici.

- ◆ In caso di danneggiamento del filo di alimentazione, è necessario farlo riparare dal fabbricante o presso un centro assistenza BLACK+DECKER autorizzato in modo da evitare eventuali pericoli.

Caratteristiche

Questo elettrotensile presenta alcune o tutte le seguenti caratteristiche.

1. Interruttore a velocità variabile (KS701E, KS701PE) o interruttore di accensione (KS501)
2. Pulsante di bloccaggio
3. Leva di bloccaggio lama seghetto
4. Piedino scorrimento lama
5. Apertura d'estrazione polvere (solo KS701E e KS701PE)
6. Selettore corsa a pendolo (solo KS701PE)

Montaggio

Attenzione! Prima di tentare una delle seguenti operazioni, verificare che l'elettrotensile sia spento e scollegato dalla presa elettrica e che la lama sia ferma. Le lame della sega usate possono essere calde.

Montaggio della lama della sega (fig. A - KS701E e KS701PE)

- ◆ Tenere la lama del seghetto (7) come illustrato con i denti rivolti in avanti.
- ◆ Spingere la leva di bloccaggio (3) verso l'esterno allontanandola dal piedino (4).
- ◆ Infilare completamente il gambo della lama del seghetto nel portalama (8).
- ◆ Rilasciare la leva di bloccaggio (3).

Montaggio della lama della sega (fig. A - KS501)

- ◆ Prima di montare o smontare la lama del seghetto (7) è necessario spostare verso il retro il rullo di supporto della lama (17) in modo che non tocchi la lama.
- ◆ Allentare (ma non estrarre) le due viti (18).

- ◆ Tenere la lama del seghetto (7) con i denti rivolti in avanti.
- ◆ Infilare completamente il gambo della lama del seghetto (7) nel portalama (8).
- ◆ Avvitare leggermente le due viti (18) in modo alterno per posizionare la lama e quindi serrarle del tutto.
- ◆ Regolare il rullo di supporto della lama del seghetto (17) come descritto qui sopra.
- ◆ Per staccare la lama del seghetto (7), svitare entrambe le viti (18) di un giro in senso antiorario.

- ◆ Per spegnere l'elettrotensile, rilasciare l'interruttore a velocità variabile. Per spegnere l'elettrotensile durante il funzionamento continuo, premere ancora una volta l'interruttore a velocità variabile e rilasciarlo.

Come utilizzare la funzione Sightline® (fig. D)

- ◆ Usare una matita per segnare la traccia del taglio.
- ◆ Posizionare il seghetto alternativo sopra tale traccia (11). Guardando direttamente da sopra al seghetto, è possibile seguire facilmente la linea del taglio.

Modalità di taglio (solo KS701PE)

Il movimento a pendolo rende l'azione della lama più incisiva ed è concepito per tagliare materiali morbidi come legno e plastica. Il taglio risulta più veloce, anche se meno uniforme. Questo seghetto alternativo è provvisto di un selettore per la corsa a pendolo. L'uso del selettore è spiegato nella sezione seguente.

Nota: non utilizzare mai il movimento a pendolo per tagliare il metallo.

Selettore corsa a pendolo (fig. E - solo KS701PE)

Il modello KS701PE ha le quattro modalità di taglio seguenti, ciascuna delle quali imprime al movimento a pendolo una diversa intensità:

- ◆ Posizione 0: metallo, alluminio e lamiera (nessun movimento a pendolo).
- ◆ Posizione 1: laminati, legno duro, piani di lavoro.
- ◆ Posizione 2: compensato e PVC/plastica.
- ◆ Posizione 3: legno dolce e taglio rapido.

Per regolare l'intensità del movimento a pendolo:

- ◆ Ruotare il selettore della corsa a pendolo (6) sulla posizione desiderata.

Taglio

Tenere saldamente l'elettrotensile con entrambe le mani durante il taglio. Il piedino scorrimento lama (4) deve poggiare saldamente contro il materiale che si sta tagliando. In questo modo si impedisce al seghetto di saltare, si riducono le vibrazioni e anche i casi di rottura della lama.

- ◆ Prima di iniziare a tagliare, lasciare che la lama ruoti liberamente per alcuni secondi.
- ◆ Esercitare solo una leggera pressione sull'elettrotensile mentre si esegue il taglio.

Consigli per un utilizzo ottimale

Taglio dei laminati

Durante il taglio di laminati è possibile che si scheggino i bordi, rovinando la superficie che rimarrà a vista. Le lame più comuni praticano il taglio durante la corsa verso l'alto; quindi, se il piedino scorrimento lama poggia sulla superficie

Collegamento di un aspirapolvere all'elettrotensile (fig. B - KS701E e KS701PE)

- ◆ Infilare il beccuccio dell'aspirapolvere (9) nella bocchetta di estrazione della polvere (5).

Utilizzo

Regolazione del piedino scorrimento lama per eseguire tagli a unghia (fig. C)

Attenzione! Non usare mai l'elettrotensile quando il piedino scorrimento lama è allentato o è stato rimosso.

Il piedino scorrimento lama (4) può essere regolato per il taglio a unghia a 45° verso destra o verso sinistra.

- ◆ Allentare le viti. (10) Alcuni modelli hanno una vite sola.
- ◆ Tirare in avanti il piedino scorrimento lama (4), ruotarlo verso sinistra o verso destra e spingerlo indietro nella posizione dei 45° (solo KS701E e KS701PE).
- ◆ Spingere indietro il piedino (4), ruotarlo verso destra e tirarlo indietro nella posizione dei 45° (solo KS501)
- ◆ Serrare le viti.

Per riportare il piedino scorrimento lama (4) in posizione per i tagli a 90°:

- ◆ Allentare la vite (10).
- ◆ Tirare in avanti il piedino scorrimento lama (4), ruotarlo verso il centro e quindi spingerlo indietro nella posizione degli 0°.
- ◆ Serrare la vite.

Comando velocità variabile (solo KS701E e KS701PE)

- ◆ Usare una velocità alta per il legno, media per l'alluminio e il PVC e bassa per i metalli diversi dall'alluminio.

Accensione e spegnimento

- ◆ Per accendere l'elettrotensile, premere l'interruttore a velocità variabile (KS701E e KS701PE) o l'interruttore di accensione (KS501) (1). Nei modelli KS701E e KS701PE la velocità di funzionamento dipende dal grado di pressione esercitata sull'interruttore.
- ◆ Per il funzionamento continuo, premere il pulsante di bloccaggio (2) e quindi l'interruttore a velocità variabile. Questa opzione è disponibile solo alla velocità massima.

che rimarrà a vista, si consiglia di usare una lama che tagli durante la corsa verso il basso oppure di:

- ◆ Usare una lama da seghetto con denti sottili.
- ◆ Segare dalla parte posteriore del pezzo da lavorare.
- ◆ Per contenere al massimo la scheggiatura, fissare con un morsetto un pezzo di legno o di cartone da ambo i lati del pezzo da lavorare e segare i tre strati insieme.

Taglio del metallo

Attenzione! Non utilizzare un aspirapolvere quando si taglia il metallo, in quanto la limatura di metallo può essere calda e provocare un incendio.

Si tenga presente che segare il metallo richiede molto più tempo che segare il legno.

- ◆ Usare una lama idonea a segare il metallo.
- ◆ Quando si taglia un foglio di lamiera sottile, fissare con dei morsetti un pezzo di legno alla superficie posteriore del pezzo da lavorare e tagliare i due strati insieme.
- ◆ Spalmare un velo d'olio lungo la traccia del taglio.

Arresto parallelo (solo KS701E e KS701PE)

Il taglio secondo la fibra e il taglio circolare senza una riga a matita possono essere eseguiti facilmente con un arresto parallelo e guida circolare (disponibile come accessorio opzionale, numero di parte X43005-XJ).

Attacco dell'arresto parallelo (fig. F e G)

- ◆ Inserire l'arresto parallelo (14) nel piedino scorrimento lama con la barra trasversale rivolta verso il basso come mostrato nella figura F.
- ◆ Inserire la vite (15) nel foro nella parte inferiore del piedino scorrimento lama.
- ◆ Allineare la barra di attacco (16) alla vite con l'estremità ricurva rivolta verso il basso e verso la parte posteriore del seghetto.
- ◆ Con un cacciavite a stella, guidare la vite nel foro filettato sulla barra di attacco, come mostrato nella figura G.
- ◆ Regolare in base all'ampiezza del taglio e serrare la vite.

Taglio circolare (fig. H - solo KS701E e KS701PE)

- ◆ Inserire l'arresto parallelo nella feritoia sulla destra del piedino scorrimento lama con la barra trasversale rivolta verso l'alto.
- ◆ Regolare l'arresto parallelo in modo che la distanza dalla lama al foro nella barra trasversale corrisponda al raggio desiderato e serrare la vite.
- ◆ Posizionare il seghetto in modo il foro della barra trasversale risulti sopra al centro del cerchio da tagliare (per portare la lama in posizione effettuare un taglio "a tuffo", praticare un foro con il trapano per inserirvi la lama o tagliare verso l'interno dal bordo del materiale).

- ◆ Quando il seghetto è posizionato correttamente, introdurre un piccolo chiodo nel foro della barra trasversale portandolo al centro esatto del cerchio da tagliare.
- ◆ Utilizzando l'arresto parallelo come perno, iniziare a tagliare il cerchio.

Taglio a tuffo (fig. I)

Il taglio a tuffo è un facile metodo per ottenere un intaglio interno. La lama del seghetto può essere inserita direttamente in un pannello o in una lastra senza prima praticare un foro pilota. Durante il taglio a tuffo, misurare la superficie da tagliare e segnarla chiaramente con una matita. Quindi, portare il seghetto in avanti finché la parte anteriore del piedino scorrimento lama poggia saldamente sulla superficie di lavoro e della lama penetri nel materiale per la sua intera lunghezza. Accendere l'elettrotensile e portarlo alla velocità massima. Afferrare saldamente il seghetto e abbassare lentamente l'estremità posteriore dello strumento finché la lama raggiunga la sua profondità massima. Tenere il piedino scorrimento lama piatto contro il legno e cominciare a tagliare. Non rimuovere la lama dal taglio mentre è ancora in movimento. La lama deve essere completamente ferma.

Manutenzione

Questo elettrotensile BLACK+DECKER è stato progettato per funzionare a lungo con una manutenzione minima. Per ottenere prestazioni sempre soddisfacenti occorre avere cura dell'elettrotensile e sottoporlo a pulizia periodica.

- ◆ Le prese di ventilazione dell'elettrotensile devono essere pulite regolarmente con un pennello morbido o un panno asciutto.
- ◆ Pulire regolarmente l'alloggiamento del motore utilizzando un panno umido. Non usare detergenti abrasivi o contenenti solventi. Evitare la penetrazione di liquidi all'interno dell'elettrotensile e non immergere mai nessuna parte dello stesso in sostanze liquide.

Protezione dell'ambiente



Raccolta differenziata. I prodotti e le batterie contrassegnati con questo simbolo devono essere smaltiti con i rifiuti domestici normali.

Essi contengono materiali che possono essere recuperati o riciclati riducendo la richiesta di materie prime. Riciclare i prodotti elettrici e le batterie secondo le disposizioni locali. Ulteriori informazioni sono disponibili all'indirizzo www.2helpU.com

Dati tecnici

		KS501 (Typo 1)	KS701E (Typo 2)	KS701PE (Typo 2)
Tensione in ingresso	V_{AC}	230	230	230
Potenza assorbita	W	400	520	520
Regime a vuoto	Min ⁻¹	3,000	0-3,000	0-3,000
Profondità max. del taglio				
Legno	mm	65	70	70
Acciaio	mm	5	5	5
Alluminio	mm	10	15	15
Peso	kg	1.3	1.6	1.7
Livello di pressione sonora misurato in base a EN 62841:				
Pressione sonora (L_{pA}) 89 dB(A), incertezza (K) 5 dB(A)				
Potenza sonora (L_{WA}) 100 dB(A), incertezza (K) 5 dB(A)				
Valori totali vibrazioni (somma vettoriale triassiale) in base a EN 62841:				
Taglio di pannelli di truciolato ($a_{n, \theta}$) 12,5 m/s ² , incertezza (K) 1,5 m/s ²				
Taglio di lamiera ($a_{n, W}$) 12,6 m/s ² , incertezza (K) 1,5 m/s ²				

EG conformiteitsverklaring
RICHTLIJN VOOR MACHINES

KS501, KS701E, KS701PE - seghetto da traforo

Black & Decker dichiara che i prodotti descritti al paragrafo "Dati tecnici" sono conformi alle seguenti normative:

EN62841-1:2015, EN62841-2:11:2016

Questi prodotti sono conformi alle Direttive 2006/42/CE, 2014/30/UE e 2011/65/UE.

Per ulteriori informazioni, contattare Black & Decker al seguente indirizzo oppure consultare l'ultima di copertina del manuale.

Il sottoscritto è responsabile della redazione di questo documento tecnico e rilascia questa dichiarazione per conto di Black & Decker Europe.

A. Smith
Technical Director
Black & Decker Europe, 210 Bath Road, Slough,
Berkshire, SL1 3YD
Regno Unito
22/01/2019

Garanzia

Black & Decker è sicura della qualità dei propri prodotti e offre ai consumatori una garanzia di 24 mesi dalla data di acquisto. Il presente certificato di garanzia è complementare ai diritti legali e non li pregiudica in alcun modo. La garanzia è valida sui territori degli Stati membri dell'Unione Europea o dell'EFTA (Associazione europea di libero scambio).

Per attivare la garanzia, il reclamo deve essere effettuato in accordo con i Termini e Condizioni Black & Decker e sarà necessario presentare la prova di acquisto al venditore o all'agente di riparazione autorizzato. I Termini e condizioni della garanzia Black & Decker di 2 anno e la sede dell'agente di riparazione autorizzato più vicino sono consultabili su Internet all'indirizzo www.2helpU.com, contattando l'ufficio Black & Decker di zona all'indirizzo indicato in questo manuale.

Visitare il nostro sito www.blackanddecker.it per registrare il prodotto Black & Decker appena acquistato e ricevere gli aggiornamenti su nuovi prodotti e offerte speciali.

Beoogd gebruik

De BLACK+DECKER KS501, KS701E, KS701PE-decoupeerzaag is ontworpen voor het zagen van hout, kunststof en plaatmetaal. Deze machine is uitsluitend bestemd voor consumentengebruik.

Veiligheidsinstructies

Algemene veiligheidswaarschuwingen voor elektrisch gereedschap



Waarschuwing! Lees alle veiligheidswaarschuwingen, instructies, illustraties en specificaties die bij dit gereedschap zijn meegeleverd. Wanneer de volgende waarschuwingen en voorschriften niet in acht worden genomen, kan dit een elektrische schok, brand of ernstig letsel tot gevolg hebben.

Bewaar alle waarschuwingen en instructies als referentiemateriaal.

De hierna gebruikte term 'elektrisch gereedschap' in alle waarschuwingen die hieronder worden vermeld, heeft betrekking op elektrisch gereedschap voor gebruik op netspanning (met netsnoer) of met een accu (snoerloos).

1. Veilige werkomgeving

- a. **Houd uw werkomgeving schoon en goed verlicht.** Op rommelige of donkere plekken zullen sneller ongelukken gebeuren.
- b. **Werk niet met elektrisch gereedschap in een omgeving met explosiegevaar, zoals in de nabijheid van brandbare vloeistoffen, gassen of stof.** Elektrisch gereedschap veroorzaakt vonken die het stof of de dampen kunnen doen ontbranden.
- c. **Houd kinderen en omstanders tijdens het gebruik van elektrisch gereedschap op afstand.** Als u wordt afgeleid, kunt u de controle over het gereedschap verliezen.

2. Elektrische veiligheid

- a. **De netstekker van het elektrisch gereedschap moet in het stopcontact passen. Pas de stekker nooit op enige manier aan. Gebruik geen adapterstekkers in combinatie met geaard elektrisch gereedschap.** Niet-aangepaste stekkers en passende contactdozen verminderen het risico van een elektrische schok.
- b. **Vermijd aanraking van het lichaam met geaarde oppervlakken, bijvoorbeeld buizen, verwarmingen, fornuizen en koelkasten.** Er bestaat een verhoogd risico van een elektrische schok als uw lichaam contact heeft met aarde.
- c. **Stel elektrisch gereedschap niet bloot aan regen en vocht.** Als er water in een elektrisch gereedschap dringt, verhoogt dit het risico van een elektrische schok.

- d. **Behandel het snoer voorzichtig. Gebruik het snoer nooit om het elektrisch gereedschap te dragen of naar u toe te trekken, of de stekker uit het stopcontact te halen. Houd het snoer uit de buurt van warmtebronnen, olie, scherpe randen, of bewegende onderdelen.** Beschadigde snoeren of snoeren die in de war zijn geraakt, verhogen het risico van een elektrische schok.
- e. **Gebruik, wanneer u buitenshuis met elektrisch gereedschap werkt, alleen verlengsnoeren die zijn goedgekeurd voor gebruik buitenshuis.** Het gebruik van een verlengsnoer dat geschikt is voor binnen vermindert het risico van een elektrische schok.
- f. **Als u met elektrisch gereedschap werkt op een vochtige locatie, gebruik dan een aardlekschakelaar (RCD).** Het gebruik van een aardlekschakelaar vermindert het risico van een elektrische schok.

3. Persoonlijke veiligheid

- a. **Blijf alert, let goed op wat u doet en ga met verstand te werk bij het gebruik van elektrisch gereedschap. Gebruik elektrisch gereedschap niet als u vermoeid bent of onder de invloed van drugs, alcohol of medicatie bent.** Een moment van onoplettendheid tijdens het werken met elektrisch gereedschap kan leiden tot ernstig persoonlijk letsel.
- b. **Draag persoonlijke beschermende uitrusting. Draag altijd oogbescherming.** Beschermende uitrusting, zoals een stofmasker, antislip veiligheidsschoenen, een helm, of gehoorbescherming, gebruikt in de juiste omstandigheden, zal het risico op persoonlijk letsel verminderen.
- c. **Voorkom per ongeluk inschakelen. Controleer dat de schakelaar in de uit-stand staat voordat u het gereedschap aansluit op het stopcontact en/of de accu plaatst en voordat u het gereedschap optilt of gaat dragen.** Het dragen van elektrisch gereedschap met uw vinger op de schakelaar of het aanzetten van elektrisch gereedschap waarvan de schakelaar aan staat, kan leiden tot ongelukken.
- d. **Verwijder instelgereedschap of schroefslutels voordat u het elektrisch gereedschap inschakelt.** Een steeksleutel of een inbussleutel in een draaiend deel van het elektrisch gereedschap kan tot persoonlijk letsel leiden.
- e. **Reik niet buiten uw macht. Blijf altijd stevig en in balans op de grond staan.** Dit geeft u betere controle over het elektrisch gereedschap in onverwachte situaties.
- f. **Draag geschikte kleding. Draag geen loszittende kleding of sieraden. Houd uw haar, kleding en handschoenen uit de buurt van bewegende onderdelen.** Loszittende kleding, sieraden of lang haar kunnen door bewegende delen worden gegrepen.

- g. **Als voorzieningen voor stofafzuiging of stofopvang kunnen worden gemonteerd, controleer dan dat deze zijn aangesloten en op de juiste wijze worden gebruikt.** Het gebruik van stofafzuiging kan aan stof gerelateerde gevaren verminderen.
- h. **Word niet gemakzuchtig doordat u door veelvuldig gebruik vertrouwd bent geraakt met het gereedschap, en verlies niet de veiligheidsbeginselen uit het oog.** Een onvoorzichtige handeling kan in een fractie van een seconde ernstig letsel tot gevolg hebben.
4. **Gebruik en onderhoud van elektrisch gereedschap**
- a. **Overbelast het elektrisch gereedschap niet. Gebruik het juiste elektrisch gereedschap voor uw toepassing.** Met het juiste elektrisch gereedschap kunt u de werkzaamheden waarvoor het gereedschap is ontworpen, beter en veiliger uitvoeren.
- b. **Gebruik het elektrisch gereedschap niet als de schakelaar niet goed werkt.** Ieder elektrisch gereedschap dat niet met de schakelaar kan worden bediend, is gevaarlijk en moet worden gerepareerd.
- c. **Trek de stekker uit het stopcontact en/of de accu uit het elektrisch gereedschap voordat u het gereedschap instelt, accessoires wisselt of het elektrisch gereedschap opbergt.** Dergelijke preventieve veiligheidsmaatregelen verminderen het risico dat het elektrisch gereedschap per ongeluk wordt gestart.
- d. **Bewaer elektrisch gereedschap dat niet wordt gebruikt, buiten bereik van kinderen. Laat niet personen die er niet vertrouwd mee zijn en deze aanwijzingen niet hebben gelezen met het gereedschap werken.** Elektrisch gereedschap is gevaarlijk in handen van ongetrainde gebruikers.
- e. **Onderhoud elektrisch gereedschap en accessoires goed. Controleer dat bewegende delen van het elektrisch gereedschap wel goed functioneren en niet klemmen, en dat er niet onderdelen zodanig zijn gebroken of beschadigd dat de werking van het gereedschap nadelig wordt beïnvloed. Laat het gereedschap voor gebruik repareren als het beschadigd is.** Veel ongelukken worden veroorzaakt door slecht onderhouden elektrisch gereedschap.
- f. **Houd zaag- en snijgereedschap scherp en schoon.** Goed onderhouden zaaggereedschap met scherpe snijvlakken loopt minder snel vast en is gemakkelijker onder controle te houden.
- g. **Gebruik elektrisch gereedschap, accessoires, zaagjes en boortjes, enz., volgens deze aanwijzingen. Let daarbij op de arbeidsomstandigheden en de uit te voeren werkzaamheden.** Gebruik van het elektrisch gereedschap voor werkzaamheden die anders zijn dan bedoeld, kan leiden tot een gevaarlijke situatie.

- h. **Houd de handgrepen droog, schoon en vrij van olie en vet.** Gladde handgrepen en vette oppervlakken maken het moeilijk het gereedschap veilig te hanteren en onder controle te houden in onverwachte situaties.

5. Service

- a. **Laat het gereedschap alleen repareren door gekwalificeerd en vakkundig personeel en alleen met originele vervangingsonderdelen.** De veiligheid van het gereedschap blijft dan gewaarborgd.

Aanvullende veiligheidswaarschuwingen voor elektrisch gereedschap



Waarschuwing! Veiligheidsinstructies voor alle zagen

- ◆ **Houd elektrisch gereedschap altijd vast aan de geïsoleerde handgrepen wanneer er verborgen bedrading bij het zagen geraakt zou kunnen worden.** Wanneer het snijdende gedeelte contact maakt met draad die onder spanning staat, kunnen metalen delen van het elektrisch gereedschap ook onder spanning komen, waardoor de gebruiker een elektrische schok kan oplopen.
- ◆ **Gebruik klemmen of andere praktische oplossingen om het werkstuk op een stabiele ondergrond vast te zetten en te ondersteunen.** Als u het werkstuk met de hand of tegen uw lichaam vasthoudt, is het niet stabiel en kunt u de controle over het gereedschap verliezen.
- ◆ **Blijf met uw handen uit de buurt van het snijgebied.** Steek uw handen nooit onder het werkstuk. Blijf met uw vingers en duim uit de buurt van het heen en weer bewegende blad en van de heen en weer bewegende bladklem. Houd de zaag niet in evenwicht door de zool vast te houden.
- ◆ **Houd bladen scherp.** Door botte of beschadigde bladen kan de zaag onder druk afwijken of blijven steken. Gebruik altijd een zaagblad dat geschikt is voor het materiaal van het werkstuk en het soort zaagsnede.
- ◆ **Als u een pijp of buis gaat doorzagen, controleert u of deze geen water, elektrische bedrading, enzovoort, bevat.**
- ◆ **Raak het werkstuk of het blad niet meteen na het zagen aan.** Ze kunnen zeer heet worden.
- ◆ **Wees bedacht op verborgen gevaren. Controleer waar zich bedrading en leidingen bevinden voordat u in muren, vloeren of plafonds zaagt.**
- ◆ **Nadat u de schakelaar hebt losgelaten blijft het blad bewegen.** Schakel het gereedschap altijd uit en wacht tot het zaagblad volledig tot stilstand is gekomen voordat u het gereedschap neerlegt.

Waarschuwing! Contact met of inademing van het stof dat bij het zagen vrijkomt, kan de gezondheid van de gebruiker

en omstanders schaden. Draag een stofmasker dat speciaal is ontworpen ter bescherming tegen stof en dampen, en zorg ervoor dat personen in de buurt van werkplek ook zijn beschermd.

- ◆ In deze instructiehandleiding wordt het beoogde gebruik beschreven. Het gebruik van andere accessoires of hulpstukken dan wel de uitvoering van andere handelingen met dit gereedschap dan in deze gebruikershandleiding worden aanbevolen, kan leiden tot persoonlijk letsel en/of schade aan eigendommen.

Veiligheid van anderen

- ◆ Dit apparaat mag worden gebruikt door kinderen van 8 jaar en ouder en personen die lichamelijk of geestelijk minder valide zijn of die geen ervaring met of kennis van dit apparaat hebben, mits zij onder toezicht staan of instructies krijgen voor een veilige manier van gebruiken van het apparaat en inzicht hebben in de mogelijke gevaren.
- ◆ Kinderen mogen niet met het apparaat spelen. Laat kinderen nooit zonder toezicht het apparaat schoonmaken of onderhouden.

Overige risico's

Er kunnen zich tijdens het gebruik van het gereedschap ook andere risico's voordoen, die misschien niet in de bijgevoegde veiligheidswaarschuwingen worden vermeld. Deze risico's kunnen zich voordoen als gevolg van onoordeelkundig gebruik, langdurig gebruik, enz.

Zelfs als de veiligheidsvoorschriften in acht worden genomen en de veiligheidsvoorzieningen worden geïmplementeerd, kunnen bepaalde risico's niet worden vermeden.

Deze omvatten:

- ◆ Verwondingen die worden veroorzaakt door het aanraken van draaiende of bewegende onderdelen.
- ◆ Verwondingen die worden veroorzaakt bij het vervangen van onderdelen, bladen of accessoires.
- ◆ Verwondingen die worden veroorzaakt door langdurig gebruik van het gereedschap. Als u langere periodes met het gereedschap werkt, is het raadzaam om regelmatig een pauze in te lassen.
- ◆ Gehoorbeschadiging.
- ◆ Gezondheidsrisico's als gevolg van het inademen van stof dat door gebruik van het gereedschap wordt veroorzaakt (bijvoorbeeld tijdens het werken met hout, vooral eiken, beuken en MDF.)

Trilling

De aangegeven waarden voor trillingsemissie in de technische gegevens en de conformiteitsverklaring zijn gemeten conform een standaardtestmethode die door EN 62841 wordt geboden. Hiermee kan het ene gereedschap met het andere worden vergeleken. De aangegeven waarde voor trillingsemissie

kan ook worden gebruikt bij een voorlopige bepaling van blootstelling.

Waarschuwing! De waarde voor trillingsemissie tijdens het werkelijke gebruik van het gereedschap kan verschillen van de aangegeven waarde afhankelijk van de manieren waarop het gereedschap wordt gebruikt. Het trillingsniveau kan hoger worden dan het aangegeven niveau.

Wanneer de blootstelling aan trillingen wordt vastgesteld teneinde veiligheidsmaatregelen te bepalen die worden vereist door 2002/44/EG ter bescherming van personen die tijdens hun werk regelmatig elektrische gereedschappen gebruiken, moet bij een schatting van de blootstelling aan trillingen rekening worden gehouden met de werkelijke omstandigheden van het gebruik en de manier waarop het gereedschap wordt gebruikt. Daarbij moet ook rekening worden gehouden met alle stappen in de gebruikscyclus, zoals het moment waarop het gereedschap wordt uitgeschakeld en wanneer het gereedschap stationair loopt alsook de aanlooptijd.

Labels op het gereedschap

Naast de datumcode is het gereedschap voorzien van de volgende symbolen:



Waarschuwing! De gebruiker moet de instructiehandleiding lezen om het risico op letsel te verminderen.

Elektrische veiligheid



Dit gereedschap is dubbel geïsoleerd. Een aardaansluiting is daarom niet noodzakelijk. Controleer altijd of de netspanning overeenkomt met de waarde op het typeplaatje.

- ◆ Als het netsnoer is beschadigd, moet dit, om ongelukken te voorkomen, worden vervangen door de fabrikant of een BLACK+DECKER-servicecentrum.

Onderdelen

Bij dit gereedschap worden enkele of alle van de volgende onderdelen meegeleverd.

1. Schakelaar voor variabele snelheid (KS701E, KS701PE) of aan/uit-schakelaar (KS501)
2. Vergrendelingsknop
3. Vergrendelingshendel voor zaagblad
4. Zoolplaat
5. Opening voor stofafzuiging (alleen KS701E en KS701PE)
6. Keuzeknop voor pendelslag (alleen KS701PE)

Monteren

Waarschuwing! Vóór het uitvoeren van de volgende werkzaamheden moet het gereedschap zijn uitgeschakeld, de stekker uit het stopcontact zijn getrokken, en het zaagblad tot stilstand zijn gekomen. Zaagbladen die kort tevoren in gebruik zijn geweest, kunnen heet zijn.

Zaagblad aanbrengen (fig. A - KS701E en KS701PE)

- ◆ Houd het zaagblad (7) vast zoals weergegeven, met de tanden naar voren.
- ◆ Druk de zoolvergrendelingshendel (3) weg van de zoolplaat (4).
- ◆ Plaats de zaagbladschacht zo ver mogelijk in de bladhouder (8).
- ◆ Laat de vergrendelingshendel (3) los.

Het zaagblad monteren (fig. A - KS501)

- ◆ Voordat u het zaagblad (7) aanbrengt of verwijdert, moet de steunrol voor het zaagblad (17) in de achterste stand worden gezet zodat deze geen contact maakt met het blad.
- ◆ Draai de twee schroeven los (verwijder ze niet). (18).
- ◆ Houd het zaagblad (7) vast met de tanden naar voren.
- ◆ Schuif de schacht van het zaagblad (7) zo ver mogelijk in de zaagbladhouder (8).
- ◆ Draai de twee schroeven (18) afwisselend voorzichtig vast om het zaagblad te positioneren, en draai daarna de twee schroeven (18) geheel vast.
- ◆ Stel de steunrol (17) van het zaagblad in zoals hierboven is beschreven.
- ◆ Het zaagblad (7) kan worden verwijderd door beide schroeven (18) één slag linksom te draaien.

Stofzuiger op het gereedschap aansluiten (fig. B - alleen KS701E en KS701PE)

- ◆ Schuif het slangmondstuk (9) in de stofafzuigopening (5).

Gebruik

Het instellen van de zoolplaat voor verstekzagen (fig. C)

Waarschuwing! Gebruik het gereedschap nooit als de zoolplaat los zit of is verwijderd.

De zoolplaat (4) kan worden ingesteld op een linker- of een rechterverstekhoek van 45°.

- ◆ Draai de schroeven los (10). Sommige modellen hebben één schroef.
- ◆ Trek de zool (4) naar voren, draai de zool naar links of naar rechts en druk deze terug in de 45°-positie. (alleen KS701E en KS701PE).
- ◆ Druk de zool (4) terug, draai de zool naar rechts en trek deze terug in de 45°-positie. (alleen KS501).
- ◆ Draai de schroeven vast.

Het terugzetten van de zoolplaat (4) voor recht zagen (90°):

- ◆ Draai de schroef (10) los.
- ◆ Trek de zool (4) naar voren, draai de zool naar het midden en druk deze terug in de 0°-positie.
- ◆ Draai de schroef aan.

Instellen variabele snelheid (alleen KS701E en KS701PE)

- ◆ Gebruik een hoge snelheid voor hout, een middelmatige snelheid voor aluminium en pvc, en een lage snelheid voor overige metalen.

In- en uitschakelen

- ◆ Het gereedschap wordt ingeschakeld met de schakelaar voor variabele snelheid (KS701E en KS701PE) of met de aan/uit-schakelaar (KS501) (1). Bij de KS701E en KS701PE is de snelheid afhankelijk van de mate waarin de schakelaar wordt ingedrukt.
- ◆ Het gereedschap blijft continu aan als de inschakelvergrendelknop (2) samen met de schakelaar voor variabele snelheid wordt ingedrukt. Deze mogelijkheid is alleen beschikbaar bij maximale snelheid.
- ◆ Het gereedschap wordt uitgeschakeld door de schakelaar voor variabele snelheid los te laten. Druk vanuit de continuustand opnieuw op de schakelaar met variabele snelheden en laat deze los om de continuustand te deactiveren.

Het gebruik van de Sightline®-functie (fig. D)

- ◆ Geef de zaaglijn aan met een potlood.
- ◆ Plaats de decoupeerzaag op de lijn (11).

Vanaf de bovenzijde van de decoupeerzaag kunt u de zaaglijn eenvoudig volgen.

Snijmodus (alleen KS701PE)

De pendelslag biedt een agressievere bladbeweging en is bedoeld voor het zagen van zachte materialen als hout of kunststof. Het zagen gaat sneller, maar de zaagsnede door het materiaal is minder glad. Uw decoupeerzaag heeft een keuzeknop voor pendelslag. Het gebruik van deze keuzeknop wordt uitgelegd in het volgende hoofdstuk.

Opmerking: Gebruik de pendelslag nooit om metaal te zagen.

Keuzeknop voor pendelslag (fig. E - alleen KS701PE)

De KS701PE kent vier zaaginstellingen met een steeds grotere pendelslag:

- ◆ Stand 0: metalen, aluminium en metaalvellen (geen pendelslag).
- ◆ Stand 1: voor laminaat, hardhout, werkbladen.
- ◆ Stand 2: voor multiplex en pvc/kunststoffen.
- ◆ Stand 3: voor zacht hout en snel zagen

Het instellen van de pendelslag:

- ◆ Draai de keuzeknop voor de pendelslag (6) naar de gewenste stand.

Zagen

Houd het gereedschap stevig met beide handen vast tijdens het zagen.

De zool (4) moet stevig worden gedrukt tegen het materiaal dat wordt gezaagd. Hierdoor wordt voorkomen dat de zaag wegspringt, worden trillingen voorkomen, en wordt de kans verkleind dat het zaagblad afbreekt.

- ◆ Laat het blad een paar seconden vrij bewegen voordat u begint met zagen.
- ◆ Voer slechts geringe druk op het gereedschap uit terwijl u zaagt.

Tips voor optimaal gebruik

Gelaagde materialen zagen

Wanneer u laminaat zaagt, kan splintervorming optreden waardoor de bovenkant beschadigd kan raken. De meest gebruikte zaagbladen zagen tijdens de slag naar boven.

Als de zoolplaat op het zichtoppervlak rust, moet u daarom een zaagblad gebruiken dat naar beneden zaagt, of:

- ◆ Een zaagblad met fijne vertanding gebruiken.
- ◆ Het werkstuk aan de achterkant zagen.
- ◆ Klem een stuk afvalhout of hardboard aan weerszijden van het werkstuk en zaag door al deze lagen om de splintervorming te minimaliseren.

Metaal zagen

Waarschuwing! Gebruik geen stofafzuiging als u metaal zaagt. De metaalspanen zijn heet en kunnen brand veroorzaken.

Let erop dat het zagen van metaal veel langer duurt dan het zagen van hout.

- ◆ Gebruik een zaagblad dat geschikt is voor het zagen van metaal.
- ◆ Voor het zagen van metaalvellen kunt u een stuk afvalhout of hardboard aan de achterkant van het werkstuk klemmen, waarna u door deze sandwich zaagt.
- ◆ Breng een oliefilm aan langs de gewenste zaaglijn.

Zijgeleider (alleen KS701E en KS701PE)

Het langs- en cirkelzagen zonder potloodlijn kan gemakkelijk worden uitgevoerd met een zij- en cirkelgeleider (als optie verkrijgbaar - onderdeelnummer X43005-XJ).

De zijgeleider bevestigen (fig. F en G)

- ◆ Schuif de zijgeleider (14) met het dwarsstuk naar beneden gericht in de openingen in de zoolplaat zoals aangegeven in figuur F.

- ◆ Plaats de schroef (15) in het gat in de bodem van de zoolplaat.
- ◆ Plaats de klemstrip (16) over de schroef, met het gebogen einde naar beneden en naar de achterkant van het gereedschap gericht.
- ◆ Draai de schroef met een kruiskopschroevendraaier in het schroefdraadgat in de klemstrip zoals aangegeven in figuur G.
- ◆ Stel de te zagen breedte in en draai de schroef vast.

Cirkelzagen (fig. H - alleen KS701E en KS701PE)

- ◆ Schuif de zijgeleider met het dwarsstuk naar boven gericht in de opening aan de rechterkant van de zoolplaat.
- ◆ Stel de zijgeleider zo in dat de afstand tussen het zaagblad en het gat in het dwarsstuk gelijk is aan de gewenste straal van de cirkel, en draai de schroef vast.
- ◆ Plaats het gereedschap zodanig, dat het midden van het gat in het dwarsstuk boven het middelpunt van de te zagen cirkel ligt (maak een insteekzaagsnede, boor een gat voor het zaagblad, of zaag vanaf de rand van het materiaal naar binnen om het zaagblad in de juiste positie te brengen).
- ◆ Sla, als het gereedschap juist is geplaatst, een kleine spijker door het gat in het dwarsstuk, precies in het middelpunt van de te zagen cirkel.
- ◆ Begin met het uitzagen van de cirkel en gebruik de dwarsgeleider als draaiarm.

Insteekzagen (fig. I)

Insteekzagen is een gemakkelijke manier om een zaagsnede midden in het werkstuk te maken. De zaag kan direct in een paneel of een plaat worden gestoken, zonder dat er eerst een gat voor het zaagblad geboord hoeft te worden. Geef het uit te zagen gedeelte voor insteekzagen duidelijk aan met een potlood. Kantel daarna het gereedschap voorover totdat de voorkant van de zool stevig op het werkstukoppervlak rust, en het zaagblad ruimte heeft voor een volledige slag. Schakel het gereedschap in en laat het op maximale snelheid komen. Pak het gereedschap stevig beet en laat de achterkant van het gereedschap langzaam zakken tot het zaagblad de volledige diepte heeft bereikt. Houd de zool plat op het werkstuk en begin met zagen. Haal het zaagblad niet weg uit de zaagsnede als het nog beweegt. Het zaagblad moet volledig tot stilstand zijn gekomen.

Onderhoud

Uw BLACK+DECKER-gereedschap is ontworpen om gedurende langere periode te functioneren met een minimum aan onderhoud. U kunt het gereedschap naar volle tevredenheid blijven gebruiken als u voor correct onderhoud zorgt en het gereedschap regelmatig schoonmaakt.

- ◆ Maak de ventilatieopeningen van uw gereedschap regelmatig schoon met een zachte borstel of een droge doek.
- ◆ Maak de motorbehuizing regelmatig schoon met een vochtige doek. Gebruik geen schuurmiddelen of reinigingsproducten met een oplosmiddel. Zorg ervoor dat er nooit vloeistof in het gereedschap kan lopen en dompel het gereedschap nooit (gedeeltelijk) in een vloeistof.

Het milieu beschermen



Gescheiden afvalinzameling. Producten en accu's waarop dit symbool is aangebracht, mogen niet bij het normale huishoudafval worden weggegooid.

Producten en accu's bevatten materialen die kunnen worden teruggewonnen of gerecycled en dat doet de vraag naar grondstoffen afnemen.

Recycle elektrische producten en accu's volgens de ter plaatse geldende bepalingen. Nadere informatie is beschikbaar op www.2helpU.com

Technische gegevens

		KS501 (Type 1)	KS701E (Type 2)	KS701PE (Type 2)
Ingangsspanning	V_{AC}	230	230	230
Opgenomen vermogen	W	400	520	520
Onbelaste snelheid	Min^{-1}	3,000	0-3,000	0-3,000
Max. zaagdiepte				
Hout	mm	65	70	70
Staal	mm	5	5	5
Aluminium	mm	10	15	15
Gewicht	kg	1.3	1.6	1.7

Geluidsdrukniveau, volgens EN 62841:

Geluidsdruk (L_{pA}) 89 dB(A), onzekerheid (K) 5 dB(A)

Geluidsvermogen (L_{WA}) 100 dB(A), onzekerheid (K) 5 dB(A)

Totale trillingswaarden (som triaxvector) volgens EN 62841:

Spaanplaat zagen ($a_{h, B}$) 12,5 m/s^2 , onzekerheid (K) 1,5 m/s^2

Metalen plaatmateriaal zagen ($a_{h, W}$) 12,6 m/s^2 , onzekerheid (K) 1,5 m/s^2

Declaración de conformidad CE

DIRECTIVA DE MÁQUINAS



KS501, KS701E, KS701PE - decoupeerzaag

Black & Decker verklaart dat deze producten zoals omschreven bij "technische gegevens" voldoen aan EN62841-1:2015, EN62841-2-11:2016

Deze producten voldoen tevens aan richtlijn 2006/42/EC, 2014/30/EU en 2011/65/EU.

Neem voor meer informatie contact op met Black & Decker op het volgende adres of raadpleeg de achterzijde van de handleiding.

Ondergetekende is verantwoordelijk voor de compilatie van het technische bestand en geeft deze verklaring namens Black & Decker af.



A. Smith
 Technical Director
 Black & Decker Europe, 210 Bath Road, Slough,
 Berkshire, SL1 3YD
 Verenigd Koninkrijk
 22/01/2019

Garantie

Black & Decker heeft vertrouwen in zijn producten en biedt consumenten een garantie van 24 maanden vanaf de datum van aankoop. Deze garantie vormt een aanvulling op uw wettelijke rechten en beperken deze niet. De garantie is geldig op het grondgebied van de Lidstaten van de Europese Unie en de Europese Vrijhandelszone.

Voor een garantie-aanspraak moet uw aanspraak in overeenstemming zijn met de Voorwaarden en Condities van Black & Decker en moet u een bewijs van aankoop overleggen aan de verkoper of aan een geautoriseerde reparatiemonteur. Voorwaarden en condities van de 2-jarige garantie van Black & Decker en het adres van de vestiging van het geautoriseerde reparatiecentrum bij u in de buurt, kunt u vinden op internet op www.2helpU.com, of door contact op te nemen met het Black & Decker-kantoor ter plaatse, op het adres dat in deze handleiding wordt vermeld.

Bezoek onze website www.blackanddecker.nl, waar u uw nieuwe Black & Decker-product kunt registreren en informatie kunt verkrijgen over nieuwe producten en speciale aanbiedingen.

Uso específico

La sierra de calar de BLACK+DECKER KS501, KS701E, KS701PE ha sido diseñada para serrar madera, plásticos y planchas de metal. Esta herramienta está pensada únicamente para uso doméstico.

Instrucciones de seguridad

Advertencias de seguridad generales para herramientas eléctricas



¡Advertencia! Lea todas las advertencias de seguridad, instrucciones, ilustraciones y especificaciones suministradas con esta herramienta eléctrica. En caso de no atenerse a las siguientes advertencias e instrucciones de seguridad, podría producirse una descarga eléctrica, incendio o lesión grave.

Guarde todas las advertencias e instrucciones para futuras consultas. El término "herramienta eléctrica" empleado en las advertencias a continuación hace referencia a la herramienta eléctrica con alimentación de red (con cable) o alimentada por batería (sin cable).

1. Seguridad del área de trabajo

- a. **Mantenga limpia y bien iluminada el área de trabajo.** Las áreas en desorden u oscuras pueden provocar accidentes.
- b. **No utilice herramientas eléctricas en entornos con peligro de explosión, como aquellos en los que haya líquidos, gases o polvos inflamables.** Las herramientas eléctricas originan chispas que pueden inflamar el polvo o los gases.
- c. **Mantenga alejados a los niños y otras personas del área de trabajo al emplear la herramienta eléctrica.** Las distracciones pueden hacer que pierda el control sobre la herramienta.

2. Seguridad eléctrica

- a. **El enchufe de la herramienta eléctrica debe corresponder a la toma de corriente. No modifique nunca el enchufe de ninguna forma. No utilice ningún enchufe adaptador con las herramientas eléctricas conectadas a tierra.** Los enchufes no modificados y las tomas de corriente compatibles reducen el riesgo de descarga eléctrica.
- b. **Evite que su cuerpo toque partes conectadas o puestas a tierra tales como tuberías, radiadores, cocinas y refrigeradores.** Existe un mayor riesgo de descarga eléctrica si su propio cuerpo está conectado a tierra.

- c. **No exponga las herramientas eléctricas a la lluvia y a la humedad.** Si entra agua en una herramienta eléctrica, aumenta el riesgo de descarga eléctrica.
- d. **Cuide el cable de alimentación. No use nunca el cable para transportar, tirar de la herramienta eléctrica o desenchufarla. Mantenga el cable alejado del calor, aceite, bordes afilados y piezas en movimiento.** Los cables dañados o enredados aumentan el riesgo de descarga eléctrica.
- e. **Al trabajar con la herramienta eléctrica en la intemperie utilice solamente cables de prolongación homologados para su uso en exteriores.** La utilización de un cable adecuado para el uso en exteriores reduce el riesgo de descarga eléctrica.
- f. **Si la utilización de una herramienta eléctrica en un lugar húmedo es inevitable, utilice una fuente protegida con un dispositivo diferencial residual (DDR).** El uso de un dispositivo diferencial residual reduce el riesgo de descarga eléctrica.

3. Seguridad personal

- a. **Esté atento a lo que hace y emplee la herramienta eléctrica con prudencia. No maneje una herramienta eléctrica cuando esté cansado o bajo los efectos de drogas, medicamentos o alcohol.** Un momento de falta de atención cuando se manejan las herramientas eléctricas puede ocasionar lesiones personales graves.
- b. **Utilice un equipo de protección personal. Utilice siempre protección ocular.** El uso del equipo protector como mascarillas antipolvo, calzado antideslizante, casco o protección auditiva para condiciones apropiadas reducirá las lesiones personales.
- c. **Impida que la herramienta se ponga en marcha accidentalmente. Asegúrese de que el interruptor se encuentre en la posición de apagado antes de conectar la herramienta a la fuente de alimentación o a la batería, o de coger o transportar la herramienta.** Transportar herramientas eléctricas con el dedo puesto en el interruptor o herramientas eléctricas activadoras que tengan el interruptor encendido puede provocar accidentes.
- d. **Retire las herramientas de ajuste o llaves fijas antes de encender la herramienta eléctrica.** Dejar una llave inglesa u otra llave puesta en una pieza en movimiento de la herramienta eléctrica puede ocasionar lesiones personales.
- e. **Sea precavido. Mantenga un equilibrio adecuado y la estabilidad constantemente.** Esto permite un mejor control de la herramienta eléctrica en situaciones inesperadas.
- f. **Lleve puesta una vestimenta de trabajo adecuada. No se ponga ropa suelta o joyas. Mantenga el cabello, la ropa y los guantes alejados de las piezas en**

- movimiento.** La ropa suelta, las joyas y el pelo largo pueden quedar atrapados en las piezas en movimiento.
- g. Siempre que sea posible utilizar unos equipos de aspiración o captación de polvo, asegúrese de que estén montados y de se utilicen correctamente.** El uso de equipo de recogida de polvo puede reducir los riesgos relacionados con el polvo.
- h. Evite que la familiaridad adquirida con el uso frecuente de las herramientas le haga confiarse demasiado e ignorar las normas de seguridad de las herramientas.** Un descuido puede causar lesiones graves en una fracción de segundo.

4. Uso y cuidado de herramientas eléctricas

- a. No sobrecargue la herramienta eléctrica. Use la herramienta eléctrica correcta para su trabajo.** La herramienta eléctrica correcta funcionará mejor y con mayor seguridad si se utiliza de acuerdo con sus características técnicas.
- b. No utilice la herramienta eléctrica si no se puede encender y apagar con el interruptor.** Toda herramienta eléctrica que no pueda controlarse con el interruptor es peligrosa y debe ser reparada.
- c. Desconecte el enchufe de la herramienta eléctrica de la fuente de alimentación y/o la batería antes de realizar cualquier ajuste, cambiar accesorios o guardar la herramienta.** Dichas medidas de seguridad preventivas reducen el riesgo de poner en marcha accidentalmente la herramienta eléctrica.
- d. Guarde las herramientas eléctricas fuera del alcance de los niños y no permita que la utilicen las personas no familiarizadas con su uso o con estas instrucciones.** Las herramientas eléctricas son peligrosas en manos de personas no capacitadas.
- e. Realice el mantenimiento de sus herramientas eléctricas y accesorios. Compruebe que las piezas móviles no estén desalineadas ni atascadas, que no haya piezas rotas y cualquier otra condición que pudiera afectar al funcionamiento de la herramienta eléctrica. Si la herramienta eléctrica está dañada, llévela para que sea reparada antes de utilizarla.** Se ocasionan muchos accidentes por el mal mantenimiento de las herramientas eléctricas.
- f. Mantenga las herramientas de corte limpias y afiladas.** Hay menos probabilidad de que las herramientas de cortar con bordes afilados se bloqueen, y son más fáciles de controlar.
- g. Utilice la herramienta eléctrica, los accesorios, los útiles de la herramienta, etc. de acuerdo con estas instrucciones, y tenga en cuenta las condiciones de trabajo y la tarea que va a realizar.** El uso de la herramienta eléctrica para operaciones que no sean las previstas puede ocasionar una situación peligrosa.

- h. Mantenga las empuñaduras y superficies de agarre secas, limpias y libres de aceite y grasa.** Las empuñaduras resbaladizas y las superficies grasientas impiden aferrar y controlar la herramienta en situaciones imprevistas.

5. Servicio técnico

- a. Esta herramienta eléctrica solo la puede reparar personal técnico autorizado que emplee exclusivamente piezas de repuesto originales.** Así se asegurará que se mantenga la seguridad de la herramienta eléctrica.

Advertencias de seguridad adicionales para herramientas eléctricas



Atención! Instrucciones de seguridad para todas las sierras

- ◆ **Sujete la herramienta eléctrica por la superficie de agarre aislada cuando realice una operación en la que el accesorio de corte pueda entrar en contacto con cableado oculto.** El contacto del accesorio de corte con un cable conectado a la red eléctrica podría hacer que las partes metálicas de la herramienta transmitieran esa electricidad y producir una descarga al usuario.
- ◆ **Utilice pinzas u otro método práctico para asegurar y sujetar la pieza de trabajo a una plataforma estable.** Si sostiene la pieza con la mano o contra el cuerpo, podría provocar su inestabilidad y perder el control.
- ◆ **Mantenga las manos alejadas de la zona de corte.** No meta nunca la mano bajo la pieza de trabajo. No introduzca los dedos en los alrededores de la cuchilla de vivén ni en el enganche de esta. No establezca la sierra agarrando la zapata.
- ◆ **Mantenga las cuchillas afiladas.** La hojas flojas o dañadas pueden provocar que la sierra dé un viraje brusco o se paralice al ejercer la presión para el corte. Utilice siempre el tipo de hoja de sierra apropiado para cada material de trabajo y tipo de corte.
- ◆ **Al cortar una cañería o conducto, asegúrese de que no contienen restos de agua, cableado eléctrico, etc.**
- ◆ **No toque la pieza de trabajo ni la hoja justo después de utilizar la herramienta.** Pueden alcanzar temperaturas muy elevadas.
- ◆ **Tenga en cuenta los peligros ocultos, antes de serrar paredes, suelos o techos, compruebe la ubicación del cableado y las cañerías.**
- ◆ **La hoja seguirá moviéndose después de soltar el interruptor.** Apague la herramienta y espere siempre a que la hoja de sierra se detenga por completo antes de depositar la herramienta.

¡Atención! El contacto o la inhalación del polvo procedente de las aplicaciones de corte de la sierra puede poner en peligro la salud del usuario y de cualquier otra persona que se encuentre alrededor. Utilice una mascarilla diseñada específicamente para proteger contra el polvo y los vapores, y asegúrese de que las demás personas que se encuentren dentro o vayan a entrar en el área de trabajo también estén protegidas.

- ◆ En este manual de instrucciones se describe el uso para el que se ha diseñado el aparato. La utilización de accesorios o la realización de operaciones con esta herramienta distintas de las recomendadas en este manual de instrucciones puede implicar un riesgo de lesiones o daños materiales.

Seguridad de terceros

- ◆ Esta herramienta puede ser usado por niños a partir de 8 años de edad y por personas con capacidades físicas, sensoriales o mentales disminuidas, o que carezcan de experiencia y conocimientos, si están supervisadas o han recibido formación con respecto al uso del aparato de una forma segura y que comprenden los peligros que entraña su uso.
- ◆ Los niños no deben jugar con el aparato. Ningún niño deberá realizar las tareas de limpieza y mantenimiento, salvo que lo hagan bajo supervisión.

Riesgos residuales

El uso de esta herramienta puede producir riesgos residuales adicionales no incluidos en las advertencias de seguridad adjuntas. Estos riesgos se pueden generar por un uso incorrecto, demasiado prolongado, etc.

El cumplimiento de las normas de seguridad correspondientes y el uso de dispositivos de seguridad no evitan ciertos riesgos residuales. Estos riesgos incluyen:

- ◆ Lesiones producidas por el contacto con piezas móviles o giratorias.
- ◆ Lesiones producidas al cambiar cualquier pieza, cuchilla o accesorio.
- ◆ Lesiones producidas al usar una herramienta por un tiempo demasiado prolongado. Si utiliza una herramienta durante períodos de tiempo demasiado prolongados, asegúrese de realizar pausas con frecuencia.
- ◆ Discapacidad auditiva.
- ◆ Riesgos para la salud producidos al respirar el polvo que se genera cuando se utiliza la herramienta (ejemplo: en los trabajos con madera, especialmente si son de roble, haya y tableros de densidad mediana).

Vibración

El valor de emisión de vibraciones indicado en el apartado de características técnicas y en la declaración de conformidad se ha calculado según un método de prueba estándar

proporcionado por la norma EN 62841 y puede utilizarse para comparar una herramienta con otra. El valor de emisión de vibraciones especificado también puede utilizarse en una evaluación preliminar de la exposición.

¡Atención! El valor de emisión de vibraciones durante el funcionamiento real de la herramienta eléctrica puede diferir del valor declarado en función de cómo se utilice dicha herramienta. El nivel de las vibraciones puede aumentar por encima del nivel declarado.

Al evaluar la exposición a las vibraciones con el fin de determinar las medidas de seguridad que exige la norma 2002/44/CE para proteger a las personas que utilizan periódicamente herramientas eléctricas en el entorno laboral, deberá tenerse en cuenta una estimación de la exposición a las vibraciones, las condiciones de uso reales y el modo de empleo de la herramienta, así como los pasos del ciclo operativo como, por ejemplo, el número de veces que la herramienta se apaga, el tiempo que está parada y el tiempo de activación.

Etiquetas en la herramienta

Junto con el código de la fecha, en la herramienta aparecen los siguientes símbolos :



¡Atención! Para reducir el riesgo de lesiones, el usuario debe leer el manual de instrucciones.

Seguridad eléctrica



Esta herramienta lleva un doble aislamiento; por lo tanto, no requiere una toma a tierra. Compruebe siempre que la tensión de la red coincide con el valor indicado en la placa de datos de la herramienta.

- ◆ Si se dañara el cable de alimentación, deberá ser sustituido por el fabricante o por un centro de asistencia técnica autorizado de BLACK+DECKER para evitar cualquier situación de riesgo.

Características

Esta herramienta incluye alguna de las siguientes características o todas ellas.

1. Interruptor de velocidad variable (KS701E, KS701PE) o interruptor de encendido/apagado (KS501)
2. Botón de bloqueo
3. Palanca de bloqueo de la hoja de sierra
4. Base
5. Salida de aspiración de polvo (solo KS701E y KS701PE)
6. Mando de movimiento basculante (solo KS701PE)

Montaje

¡Atención! Antes de llevar a cabo cualquiera de las siguientes operaciones, asegúrese de que la herramienta está desconectada, desenchufada y que la hoja se ha detenido. Después de utilizar la hoja de sierra, es posible que esté caliente.

Colocación de la hoja de sierra (fig. A - KS701Ey KS701PE)

- ◆ Sostenga la hoja de sierra (7) tal como se muestra en la ilustración, con los dientes hacia delante.
- ◆ Presione la palanca de bloqueo (3) hacia fuera de la base (4).
- ◆ Introduzca el vástago de la hoja de sierra en el soporte de la hoja (8) hasta que encaje.
- ◆ Suelte la palanca de bloqueo (3).

Colocación de la hoja de sierra (fig. A - KS501)

- ◆ Cuando monte o desmonte la hoja de sierra (7), el rodillo de apoyo para la hoja de sierra (17) debe estar ajustado en la posición posterior de manera que no entre en contacto con la hoja de sierra.
- ◆ Afloje los dos tornillos (sin extraerlos) (18).
- ◆ Sujete la hoja de sierra (7) con los dientes hacia delante.
- ◆ Introduzca el vástago de la hoja de sierra (7) en el soporte (8) hasta que encaje.
- ◆ Apriete ligeramente los dos tornillos (18) de forma alterna hasta posicionar la hoja y, a continuación, apriételes completamente.
- ◆ Ajuste el eje principal del rodillo de apoyo para la hoja de sierra (17) como se ha descrito anteriormente.
- ◆ Para extraer la hoja de sierra (7), gire ambos tornillos (18) uno a la vez en sentido contrario al de las agujas del reloj.

Conexión de una aspiradora a la herramienta (fig. B - solo KS701E y KS701PE).

- ◆ Deslice la boquilla de la aspiradora (9) en la salida de aspiración de polvo (5).

Uso

Ajuste de la base para cortes biselados (fig. C)

¡Atención! Nunca utilice la herramienta sin la base montada y correctamente apretada.

Es posible ajustar la base (4) en un ángulo de bisel izquierdo o derecho de 45°.

- ◆ Afloje los tornillos (10) Algunos modelos tienen un tornillo.
- ◆ Tire de la base (4) hacia adelante, gírela a izquierda o derecha y presiónela de nuevo hacia la posición de 45°. (Solo KS701E y KS701PE).
- ◆ Presione la base (4) hacia atrás, gírela hacia la derecha y tire de ella de nuevo hacia la posición de 45°. (Solo KS501).

- ◆ Apriete los tornillos.

Para reajustar la base (4) para cortes en 90°:

- ◆ Afloje el tornillo (10).
- ◆ Tire de la zapata (4) hacia adelante, gírela hacia el centro y presiónela de nuevo hacia la posición de 0°.
- ◆ Apriete el tornillo.

Control de la velocidad variable (solo KS701E y KS701PE)

- ◆ Utilice la velocidad alta para madera, la media para aluminio y PVC y la baja para metales diferentes al aluminio.

Encendido y apagado

- ◆ Para encender la herramienta, pulse el interruptor de velocidad variable (KS701E y KS701PE) o el interruptor de encendido/apagado (KS501) (1). En las unidades KS701E y KS701PE, la velocidad depende de la presión que aplique al interruptor.
- ◆ Para un funcionamiento continuo, pulse el botón de bloqueo (2) y presione el interruptor de velocidad variable. Esta opción solamente está disponible a velocidad máxima.
- ◆ Para apagar la herramienta, suelte el interruptor de velocidad variable. Para apagar la herramienta mientras esté activado el funcionamiento continuo, vuelva a pulsar el interruptor de velocidad variable y suéltelo.

Cómo utilizar la función Sightline® (fig. D)

- ◆ Utilice un lápiz para marcar la línea de corte.
- ◆ Coloque la sierra de calar encima de la línea (11).

Si mira directamente por encima de la sierra de calar, la línea de corte se puede seguir fácilmente.

Modo de corte (solo KS701PE)

La acción o el movimiento basculante ofrece un movimiento de hoja más agresivo y está diseñado para cortar materiales blandos como la madera o el plástico. Proporciona un corte más rápido pero realiza un corte menos preciso en el material. La sierra tiene un mando de movimiento basculante. El uso de este mando se explica en la siguiente sección.

Nota: No utilice nunca la acción basculante para cortar metal.

Mando de movimiento basculante (fig. E: solo KS701PE)

La KS701PE cuenta con estos cuatro modos de corte con mayor cantidad de acción basculante:

- ◆ Posición 0: metal y aluminio y planchas de metal (sin acción basculante).
- ◆ Posición 1: para materiales laminados, maderas duras y superficies de trabajo.
- ◆ Posición 2: para madera contrachapada y PVC/plásticos.

- ◆ Posición 3: para madera suave y madera de serrado rápido

Para ajustar la acción basculante:

- ◆ Gire el mando de movimiento basculante (6) hasta la posición indicada.

Serrado

Sostenga firmemente la herramienta con las dos manos durante el corte.

La base (4) debe sostenerse firmemente contra el material que se va a cortar. Esto ayudará a evitar que la sierra salte, reducirá la vibración y disminuirá las posibilidades de rotura de la hoja.

- ◆ Deje que la hoja se mueva durante unos segundos antes de empezar a cortar.
- ◆ Aplique solamente un poco de presión a la herramienta mientras realiza el corte.

Consejos para un uso óptimo

Serrado de material laminado

Al realizar el corte, es posible que se astille el laminado y, por consiguiente, que se dañe la superficie de presentación. La mayoría de hojas de sierra cortan con movimiento hacia arriba, por lo que, si la base está apoyada en la superficie de presentación, utilice una hoja de sierra que corte hacia abajo o:

- ◆ Utilice una hoja de sierra con dientes pequeños.
- ◆ Sierre por la parte trasera de la pieza de trabajo.
- ◆ Para minimizar el astillado, sujete una plancha de madera desechable o de conglomerado a ambos lados de la pieza de trabajo y sierre el conjunto.

Serrado de metal

¡Atención! Cuando corte metal, no utilice una aspiradora. Las limaduras de metales estarán calientes y podrían causar un incendio.

Tenga en cuenta que serrar metal lleva mucho más tiempo que serrar madera.

- ◆ Utilice una hoja apropiada para serrar metal.
- ◆ Cuando corte una plancha de metal delgada, sujete un tablero o trozo de madera en la parte trasera de la pieza de trabajo y corte el conjunto.
- ◆ Extienda una película de aceite a lo largo de la línea de corte prevista.

Guía de corte (solo KS701E y KS701PE)

Cortar en dirección a la veta y cortar en círculo sin una línea trazada con un lápiz resulta fácil con una guía de corte y una guía circular (disponible como accesorio opcional: número de pieza X43005-XJ).

Colocación de la guía de corte (figs. F e G)

- ◆ Inserte la guía de corte (14) en las ranuras de la base con la barra transversal orientada hacia abajo, tal como se muestra en la figura F.
- ◆ Coloque el tornillo (15) en el orificio de la parte inferior de la base.
- ◆ Alinee la barra de pinza (16) sobre el tornillo con el borde sobresaliente orientado hacia abajo y apuntando hacia la parte trasera de la sierra.
- ◆ Coloque el tornillo en el orificio roscado de la pinza de la barra con un destornillador de estrella, tal como se muestra en la figura G.
- ◆ Ajustelo al ancho de corte y apriete el tornillo.

Corte en círculo (fig. H - solo KS701E y KS701PE)

- ◆ Inserte la guía de corte en la ranura del lado derecho de la base con la barra transversal orientada hacia arriba.
- ◆ Ajuste la guía de corte de modo tal que la distancia desde la hoja hasta el orificio de la barra transversal sea el radio deseado y apriete el tornillo.
- ◆ Coloque la sierra de modo que el centro del orificio de la barra transversal esté sobre el centro del círculo que se cortará (haga un corte directo, perforo un orificio para la hoja o corte hacia adentro desde el borde del material para colocar la hoja en posición).
- ◆ Al colocar correctamente la sierra, introduzca un pequeño clavo a través del orificio en la barra transversal exactamente en el centro del círculo que se cortará.
- ◆ Comience a cortar el círculo utilizando la guía de corte como brazo pivotante.

Corte directo (fig. I)

Un corte directo es un método sencillo de realizar un corte interior. La sierra puede introducirse directamente en un panel o placa sin tener que perforar primero un agujero piloto o principal. Al realizar cortes directos, mida la superficie que se cortará y márquela claramente con un lápiz. Luego incline la sierra hacia adelante hasta que el extremo delantero de la base se apoye firmemente sobre la superficie de trabajo y la hoja despeje el área de trabajo con su movimiento completo. Encienda la herramienta y permita que alcance la velocidad máxima. Sujete firmemente la sierra y baje el borde trasero de la herramienta lentamente hasta que la hoja alcance su profundidad total. Mantenga la base aplastada contra la madera y comience a cortar. No retire la hoja del corte mientras siga moviéndose. La hoja debe detenerse por completo.

Mantenimiento

La herramienta de BLACK+DECKER se ha diseñado para que funcione durante un largo período de tiempo con un mantenimiento mínimo. El funcionamiento satisfactorio

continuado depende de un cuidado apropiado y una limpieza periódica de la herramienta.

- ◆ Limpie periódicamente las ranuras de ventilación de la herramienta con un cepillo suave o un paño seco.
- ◆ Limpie la carcasa del motor de forma regular con un paño húmedo. No utilice limpiadores de base abrasiva ni disolventes.

No permita que entre líquido en la herramienta ni sumerja nunca ninguna parte de esta en un líquido.

Protección del medioambiente



Recogida selectiva. Los productos y las baterías marcadas con este símbolo no se deben desechar junto con los residuos domésticos normales.

Los productos y las baterías que contienen materiales que se puedan recuperar o reciclar reducen la demanda de materias primas.

Recicle los productos eléctricos y las baterías de conformidad con la normativa local. Puede obtener más información en www.2helpU.com

Ficha técnica

		KS501 (Typo 1)	KS701E (Typo 2)	KS701PE (Typo 2)
Voltaje de entrada	V_{AC}	230	230	230
Potencia absorbida	W	400	520	520
Velocidad sin carga	Min^{-1}	3,000	0-3,000	0-3,000
Profundidad máxima de corte				
Madera	mm	65	70	70
Acero	mm	5	5	5
Aluminio	mm	10	15	15
Peso	kg	1.3	1.6	1.7

Nivel de presión acústica de acuerdo con la norma EN 62841:

Presión acústica (L_{pA}) 89 dB(A), incertidumbre (K) 5 dB(A)

Potencia acústica (L_{WA}) 100 dB(A), incertidumbre (K) 5 dB(A)

Valores totales de vibración (suma vectorial triaxial) de acuerdo con la directiva EN 62841:

Corte de madera aglomerada ($a_{h,w}$) 12,5 m/s^2 , incertidumbre (K) 1,5 m/s^2

Corte de planchas de metal ($a_{h,w}$) 12,6 m/s^2 , incertidumbre (K) 1,5 m/s^2

Declaração de conformidade CE

DIRECTIVA "MÁQUINAS"



KS501, KS701E, KS701PE - sierra de calar

Black & Decker declara que los productos descritos en la "ficha técnica" cumplen con las siguientes directivas:

EN62841-1:2015, EN62841-2-11:2016

Estos productos también cumplen las Directivas 2006/42/CE, 2014/30/UE y 2011/65/UE.

Si desea obtener más información, póngase en contacto con Black & Decker a través de la siguiente dirección o consulte la contracubierta del manual.

La persona que firma a continuación es responsable de la elaboración del archivo técnico y realiza esta declaración en nombre de Black & Decker.

A. Smith

Technical Director

Black & Decker Europe, 210 Bath Road, Slough,

Berkshire, SL1 3YD

Reino Unido

22/01/2019

Garantía

Black & Decker confía en la calidad de sus productos y ofrece a los consumidores una garantía de 24 meses a partir de la fecha de compra. Esta garantía es adicional a sus derechos legales y no los menoscaba en modo alguno. La garantía es válida dentro de los territorios de los Estados Miembros de la Unión Europea y del Área de Libre Comercio Europea.

Para reclamar la garantía, la reclamación se debe presentar de conformidad con las condiciones de Black & Decker. Tendrá que adjuntar un justificante de compra al vendedor o al agente técnico autorizado. Las condiciones de la garantía de 2 años de Black & Decker y la ubicación de su agente técnico autorizado más cercano se pueden obtener en Internet en www.2helpU.com o poniéndose en contacto con su oficina local de Black & Decker en la dirección que se indica en este manual.

Visite nuestro sitio web www.blackanddecker.co.uk para registrar su nuevo producto Black & Decker y recibir noticias sobre nuevos productos y ofertas especiales.

Utilização prevista

A serrote de ponta BLACK+DECKER KS501, KS701E, KS701PE foi concebida para serrar madeira, plásticos e chapas metálicas. Esta ferramenta destina-se apenas a utilização doméstica.

Instruções de segurança

Avisos de segurança gerais para ferramentas eléctricas



Atenção! Leia todos os avisos de segurança, instruções, ilustrações e especificações fornecidos com a ferramenta elétrica. O não cumprimento dos seguintes avisos e instruções pode resultar em choque eléctrico, incêndio e/ou ferimentos graves.

Guarde todos os avisos e instruções para futura referência. A expressão "ferramenta eléctrica" utilizada a seguir refere-se a ferramentas eléctricas com ligação à corrente eléctrica (com cabo) ou com bateria (sem fios).

1. Segurança na área de trabalho

- Mantenha a área de trabalho limpa e bem iluminada.** As áreas desorganizadas ou escuras são propensas a acidentes.
- Não trabalhe com ferramentas eléctricas em áreas com risco de explosão, nas quais se encontrem líquidos, gases ou poeiras inflamáveis.** As ferramentas eléctricas criam faíscas que poderão inflamar estas poeiras ou vapores.
- Mantenha crianças e outras pessoas afastadas durante a utilização da ferramenta eléctrica.** As distrações podem levar à perda do controlo da ferramenta.

2. Segurança eléctrica

- As fichas da ferramenta eléctrica devem encaixar na tomada. Nunca modifique a ficha de forma alguma. Não utilize fichas adaptadoras com ferramentas eléctricas ligadas à terra.** As fichas não modificadas e as tomadas compatíveis reduzem o risco de choque eléctrico.
- Evite que o corpo entre em contacto com superfícies ligadas à terra, como tubos, radiadores, fogões e frigoríficos.** Se o seu corpo estiver "ligado" à terra, o risco de choque eléctrico é maior.
- As ferramentas eléctricas não podem ser expostas a chuva nem humidade.** A entrada de água numa ferramenta eléctrica aumenta o risco de choque eléctrico.
- Manuseie o cabo com cuidado. Nunca o utilize para transportar, puxar ou desligar a ferramenta eléctrica. Mantenha o cabo afastado de fontes de calor,**

substâncias oleosas, arestas afiadas ou peças móveis. Os cabos danificados ou emaranhados aumentam o risco de choque eléctrico.

- Quando trabalhar com uma ferramenta eléctrica ao ar livre, utilize uma extensão adequada para esse fim.** A utilização de um cabo adequado para uso ao ar livre reduz o risco de choque eléctrico.
 - Se for inevitável trabalhar com uma ferramenta eléctrica num local húmido, utilize um dispositivo de corrente residual (RCD).** A utilização de um RCD reduz o risco de choque eléctrico.
- Segurança pessoal**
 - Mantenha-se atento, observe o que está a fazer e seja prudente quando trabalhar com a ferramenta eléctrica. Não utilize uma ferramenta eléctrica quando estiver cansado ou sob o efeito de drogas, álcool ou medicamentos.** Um momento de distração durante a utilização de ferramentas eléctricas poderá resultar em ferimentos graves.
 - Utilize equipamento de proteção pessoal. Use sempre uma proteção ocular.** O equipamento de proteção, como, por exemplo, uma máscara contra o pó, sapatos de segurança antiderrapantes, um capacete de segurança ou uma proteção auditiva, usado nas condições apropriadas, reduz o risco de ferimentos.
 - Evite arranques involuntários. Certifique-se de que o botão está desligado antes de ligar a ferramenta à corrente eléctrica e/ou à bateria, e antes de levantar ou transportar a ferramenta.** Se mantiver o dedo sobre o interruptor ao transportar ferramentas eléctricas ou se as ligar à fonte de alimentação com o interruptor ligado, isso poderá dar origem a acidentes.
 - Retire eventuais chaves de ajuste ou chaves de fendas antes de ligar a ferramenta eléctrica.** Uma chave de fenda ou de ajuste que se encontre numa peça em rotação da ferramenta eléctrica pode causar ferimentos.
 - Não tente chegar a pontos fora do alcance. Mantenha sempre os pés bem apoiados e um equilíbrio apropriado.** Desta forma, será mais fácil controlar a ferramenta eléctrica em situações inesperadas.
 - Use vestuário adequado. Não use roupa larga ou joias. Mantenha o cabelo, a roupa e as luvas afastados das peças móveis.** As roupas largas, as joias ou o cabelo comprido podem ficar presos nestas peças.
 - Se for prevista a montagem de dispositivos de extração e recolha de poeiras, assegure-se de que estão ligados e que são utilizados de forma correta.** A utilização de dispositivos de extração de partículas pode reduzir os riscos relacionados com as mesmas.
 - Não permita que o facto de estar familiarizado com a utilização frequente das ferramentas o torne**

complacente e ignore os princípios de segurança da ferramenta. Uma acção irreflectida pode causar ferimentos numa fracção de segundos.

4. Utilização e manutenção da ferramenta eléctrica

- a. **Não sobrecarregue a ferramenta eléctrica. Utilize a ferramenta eléctrica correta para o seu trabalho.** A ferramenta eléctrica adequada irá efetuar o trabalho de um modo mais eficiente e seguro se for utilizada de acordo com a capacidade para a qual foi concebida.
- b. **Não utilize a ferramenta eléctrica se o interruptor não puder ser ligado ou desligado.** Qualquer ferramenta eléctrica que não possa ser controlada através do interruptor de alimentação é perigosa e tem de ser reparada.
- c. **Desligue a ficha da tomada e/ou a bateria da ferramenta eléctrica antes de proceder a ajustes, trocar acessórios ou guardar ferramentas eléctricas.** Estas medidas de segurança preventivas reduzem o risco de ligar a ferramenta eléctrica acidentalmente.
- d. **Mantenha as ferramentas eléctricas que não estiverem a ser utilizadas fora do alcance das crianças. Não permita que a ferramenta eléctrica seja utilizada por pessoas não familiarizadas com a mesma ou que não tenham lido estas instruções.** As ferramentas eléctricas são perigosas nas mãos de pessoas que não possuam as qualificações necessárias para as manusear.
- e. **Proceda à manutenção das ferramentas eléctricas. Verifique se as partes móveis estão desalinhasadas ou bloqueadas, se existem peças partidas ou qualquer outra situação que possa afetar o funcionamento das ferramentas eléctricas. Se a ferramenta eléctrica estiver danificada, esta não deve ser utilizada até que seja reparada.** Muitos acidentes têm como principal causa ferramentas eléctricas com uma manutenção insuficiente.
- f. **Mantenha as ferramentas de corte afiadas e limpas.** As ferramentas de corte sujeitas a uma manutenção adequada, com arestas de corte afiadas, emperram com menos frequência e controlam-se com maior facilidade.
- g. **Utilize a ferramenta eléctrica, os acessórios e as peças de ferramenta, etc., de acordo com estas instruções, considerando as condições de trabalho e a tarefa a ser executada.** A utilização da ferramenta eléctrica para fins diferentes dos previstos poderá resultar em situações perigosas.
- h. **Mantenha os punhos e as pegas de fixação secos, limpos e sem qualquer óleo ou gordura.** Se tiver as mãos escorregadias e as superfícies com gordura, isso não permite um manuseamento e controlo seguros da ferramentas em situações inesperadas.

5. Reparação

- a. **A sua ferramenta eléctrica deve ser reparada apenas por pessoal qualificado e só devem ser colocadas peças sobressalentes idênticas.** Desta forma, é garantida a segurança da ferramenta eléctrica

Avisos de segurança adicionais para ferramentas eléctricas



Advertência! Instruções de segurança para todas as serras

- ◆ **Segure a ferramenta eléctrica pelas áreas isoladas quando executar uma operação em que o acessório de corte possa entrar em contacto com a cablagem oculta.** O acessório de corte em contacto com um cabo "electrificado" poderá expor peças metálicas do sistema eléctrico da ferramenta e provocar um choque eléctrico ao operador.
- ◆ **Utilize grampos ou outro meio para fixar e apoiar a peça numa plataforma estável.** Se fixar a peça com a mão ou contra o seu corpo, a peça fica instável e pode dar origem à perda de controlo.
- ◆ **Mantenha as mãos afastadas da área de corte.** Nunca manuseie a parte inferior da peça de trabalho em circunstância alguma. Não introduza os dedos perto da lâmina correspondente e do grampo da lâmina. Não estabilize a serra agarrando o arrasto.
- ◆ **Mantenha as lâminas afiadas.** Lâminas embotadas ou danificadas podem desviar ou encravar a serra sob pressão. Utilize sempre o tipo apropriado de lâmina de serra para o material e tipo de corte.
- ◆ **Quando cortar tubos ou condutas, certifique-se de que estes não têm água, cablagem, etc.**
- ◆ **Não toque na peça ou na lâmina logo após a utilização da ferramenta.** Estas podem estar muito quentes.
- ◆ **Tenha cuidado com os perigos escondidos, antes de cortar em paredes, tectos ou chãos devido à localização de fios e tubos.**
- ◆ **A lâmina irá continuar a mover-se depois de desengatar o interruptor.** Desligue sempre a ferramenta e aguarde até que a lâmina da serra pare completamente antes de pousar a ferramenta.

Advertência! O contacto ou a inalação de poeiras originadas pelas aplicações de corte poderá colocar em perigo a saúde do operador ou das pessoas presentes. Utilize uma máscara especificamente concebida para protecção contra poeiras e vapores e certifique-se de que as pessoas perto da área de trabalho também estão protegidas.

- ◆ A utilização prevista para este aparelho está descrita no manual de instruções. A utilização de qualquer acessório ou a realização de qualquer operação com esta ferramenta que não se inclua no presente manual de

instruções poderá representar um risco de ferimentos e/ou danos materiais.

Segurança de terceiros

- ◆ Este aparelho pode ser utilizado por crianças com 8 anos de idade ou mais e por pessoas que apresentem capacidades físicas, sensoriais ou mentais reduzidas ou que não possuam os conhecimentos e a experiência necessários, se forem vigiadas e instruídas acerca da utilização do aparelho de uma forma segura e entenderem os perigos envolvidos.
- ◆ As crianças não devem brincar com o aparelho. A limpeza e manutenção não deverão ser efectuadas por crianças sem supervisão.

Riscos residuais

Podem surgir riscos residuais adicionais durante a utilização da ferramenta, que poderão não constar nos avisos de segurança incluídos. Estes riscos podem resultar de má utilização, uso prolongado, etc.

Mesmo com a aplicação dos regulamentos de segurança relevantes e com a implementação de dispositivos de segurança, alguns riscos residuais não podem ser evitados. Incluem:

- ◆ ferimentos causados pelo contacto com peças em rotação/movimento.
- ◆ ferimentos causados durante a troca de peças, lâminas ou acessórios.
- ◆ ferimentos causados pela utilização prolongada de uma ferramenta. Quando utilizar uma ferramenta por períodos prolongados, faça intervalos regulares.
- ◆ diminuição da audição.
- ◆ problemas de saúde causados pela inalação de poeiras resultantes da utilização da ferramenta (exemplo: trabalhos em madeira, especialmente carvalho, faia e MDF.)

Vibração

Os valores de emissão de vibração declarados na secção de dados técnicos e na declaração de conformidade foram medidos de acordo com o método de teste padrão fornecido pela norma EN 62841 e podem ser utilizados para comparar ferramentas. O valor de emissão de vibração declarado pode ainda ser utilizado numa avaliação preliminar de exposição.

Atenção! O valor de emissão de vibração durante a utilização real da ferramenta eléctrica pode ser diferente do valor declarado, dependendo da forma como a ferramenta é utilizada. O nível de vibração pode aumentar acima do nível indicado.

Quando avaliar a exposição da vibração para determinar as medidas de segurança exigidas pela norma

2002/44/ CE para proteger pessoas que utilizem regularmente ferramentas eléctricas na sua actividade profissional, deve ser considerada uma estimativa de exposição de vibração, as actuais condições de utilização e o modo de utilização da ferramenta, incluindo ainda todas as partes do ciclo de funcionamento, como os períodos de inactividade e espera da ferramenta, para além do tempo de funcionamento.

Etiquetas na ferramenta

A ferramenta apresenta os seguintes símbolos de aviso juntamente com o código de data:



Advertência! Para reduzir o risco de ferimentos, o utilizador deve ler o manual de instruções.

Segurança eléctrica



Esta ferramenta tem um isolamento duplo e, por isso, não é necessário um fio de terra. Verifique sempre se a tensão da fonte de alimentação corresponde à tensão indicada na placa de especificações.

- ◆ Se o cabo de alimentação estiver danificado, terá de ser substituído pelo fabricante ou por um centro de assistência autorizado BLACK+DECKER para evitar acidentes.

Características

Esta ferramenta inclui alguns ou todos os seguintes componentes.

1. Interruptor de velocidade variável (KS701E, KS701PE) ou interruptor para ligar/desligar (KS501)
2. Botão de bloqueio
3. Alavanca de fecho de lâminas de serra
4. Arrasto
5. Saída de extracção de poeiras (só KS701E e KS701PE)
6. Selector de curso do pêndulo (só KS701PE)

Montagem

Advertência! Antes de tentar executar qualquer uma das operações que se seguem, certifique-se de que a ferramenta está desligada e a lâmina de serra está parada. As lâminas de serra usadas poderão estar quentes.

Ajustar a lâmina de serra (fig. A - KS701E e KS701PE)

- ◆ Segure a lâmina de serra (7) conforme indicado, com os dentes virados para a frente.
- ◆ Empurre a alavanca de fecho (3) para fora do arrasto (4).
- ◆ Insira a haste da lâmina de serra no porta-lâminas (8) o mais distante possível.
- ◆ Solte a alavanca de fecho (3).

Ajustar a lâmina de serra (fig. A - KS501)

- ◆ Antes de colocar ou remover a lâmina de serra (7), o rolo de suporte de lâminas de serra (17) deve ser ajustado à posição traseira para que não entre em contacto com a lâmina.
- ◆ Desaperte (não remova) os dois parafusos. (18).
- ◆ Segure a lâmina de serra (7) com os dentes virados para a frente.
- ◆ Insira a haste da lâmina de serra (7) no porta-lâminas (8), o mais distante possível.
- ◆ Aperte ligeiramente os dois parafusos (18) de forma alternada para posicionar a lâmina e, em seguida, aperte completamente os dois parafusos (18).
- ◆ Ajuste o rolo de suporte de lâminas de serra (17), conforme descrito em cima.
- ◆ Para remover a lâmina de serra (7), rode ambos os parafusos (18) uma volta no sentido inverso aos dos ponteiros do relógio.

Ligar um aspirador à ferramenta (fig. B - só KS701E e KS701PE)

- ◆ Faça desligar o adaptador do aspirador (9) para a saída de extracção de poeiras (5).

Utilização

Ajustar o arrasto para cortes em bisel (fig. C)

Advertência! Não utilize a ferramenta quando o arrasto estiver solto ou removido.

É possível definir o arrasto (4) para um ângulo do bisel esquerdo ou direito de 45°.

- ◆ Desaperte os parafusos. (10) Alguns modelos têm um parafuso.
- ◆ Puxe o arrasto (4) para a frente, rode-o para a esquerda ou para a direita e empurre-o novamente para trás, para a posição de 45°. (Só KS701E e KS701PE)
- ◆ Empurre o arrasto (4) para trás, rode-o para a direita e puxe-o novamente para trás, para a posição de 45°. (Só KS501)
- ◆ Aperte os parafusos.

Para redefinir o arrasto (4) para cortes 90°:

- ◆ Desaperte o parafuso (10).
- ◆ Puxe o arrasto (4) para a frente, rode-o para o centro e empurre-o novamente para trás, para a posição de 0°.
- ◆ Aperte o parafuso.

Controlo de velocidade variável (só KS701E e KS701PE)

- ◆ Utilize uma velocidade rápida para madeira, média para alumínio e PVC e lenta para metais que não sejam alumínio.

Ligar e desligar

- ◆ Para ligar a ferramenta, prima o interruptor de velocidade variável (KS701E e KS701PE) ou o interruptor para ligar/desligar (KS501) (1). Nas unidades KS701E e KS701PE a velocidade depende de como pressiona o interruptor.
- ◆ Para uma operação contínua, prima o botão de bloqueio (2) e prima o interruptor de velocidade variável. Esta opção só está disponível na velocidade máxima.
- ◆ Para desligar a ferramenta, solte o interruptor de velocidade variável. Para desligar a ferramenta quando estiver a executar uma operação contínua, prima o interruptor de velocidade variável mais uma vez e solte-o.

Como utilizar a funcionalidade Sightline® (fig. D)

- ◆ Utilize um lápis para marcar a linha de corte.
- ◆ Posicione a serra eléctrica acima da linha (11).

A linha de corte pode ser seguida facilmente se a visualizar directamente acima da serra eléctrica.

Modo de corte (só KS701PE)

O curso ou a acção do pêndulo permitem um movimento de lâmina mais agressivo, sendo concebidos para o corte de materiais menos rígidos, como a madeira ou o plástico. Permite um corte mais rápido, mas com um corte menos suave ao longo do material. A serra eléctrica tem um selector de Curso do Pêndulo. A utilização deste selector é explicada na secção seguinte.

Nota: Nunca utilize a acção de pêndulo para cortar metal.

Selector de Curso do Pêndulo (fig. E - só KS701PE)

The KS701PE has these four cutting modes with increasing amounts of pendulum action:

- ◆ Posição 0: metal e folha de alumínio e metal (sem acção do pêndulo).
- ◆ Posição 1: para laminados, madeira dura, topos.
- ◆ Posição 2: para contraplacado e PVC/Plástico.
- ◆ Posição 3: para madeira macia e corte rápido

Para ajustar a acção do pêndulo:

- ◆ Rode o selector de Curso do Pêndulo (6) para a posição que pretende.

Serrar

Segure firmemente a ferramenta com ambas as mãos enquanto corta.

O arrasto (4) deve ser segurado com firmeza contra o material a ser cortado. Isto irá evitar que a serra salte, reduz a vibração e minimiza a quebra da lâmina.

- ◆ Deixe a lâmina a trabalhar livremente durante alguns segundos antes de começar a cortar.
- ◆ Exerça um ligeira pressão na ferramenta enquanto corta.

Sugestões para uma utilização ideal

Serrar laminados

Quando cortar laminados, poderão formar-se lascas que podem danificar a superfície de apresentação. As lâminas de serra mais comuns cortam em sentido ascendente; assim, se o arrasto estiver assente na superfície de apresentação, utilize uma lâmina de serra que corte em sentido descendente ou:

- ◆ Utilize uma lâmina de serra com dentes em bom estado.
- ◆ Serre a partir da superfície de fundo da peça.
- ◆ Para minimizar a ocorrência de lascas, coloque fragmentos de madeira ou painel duro em ambos os lados da peça e serre no meio deste painel compósito.

Serrar metal

Advertência! Não utilize um aspirador quando cortar metais. As limalhas de metal estarão quentes e poderão causar um incêndio.

Tenha em atenção que a serração de metal demora muito mais tempo do que a serração de madeira.

- ◆ Utilize uma lâmina de serra adequada para a serração de metal.
- ◆ Ao cortar folhas de metal finas, coloque fragmentos de madeira na superfície de fundo da peça e corte no meio deste painel compósito.
- ◆ Espalhe uma camada fina de óleo ao longo da linha de corte pretendida.

Batente de corte (só KS701E e KS701PE)

É fácil executar cortes rectilíneos e circulares sem uma linha traçada a lápis com um batente de corte e uma guia de círculo (disponível como extra opcional - número de peça X43005-XJ).

Fixar o Batente de Corte (figs. F e G)

- ◆ Introduza o batente de corte (14) nas ranhuras do arrasto com a barra em cruz para baixo como indicado na figura F.
- ◆ Coloque o parafuso (15) no furo no fundo do arrasto.
- ◆ Alinhe o grampo da barra (16) sobre o parafuso com rebordo virado para baixo e apontando para a parte de trás da serra.
- ◆ Com uma chave de fendas phillips, coloque o parafuso no furo enroscado do grampo da barra como indicado na figura G.
- ◆ Ajuste à largura do corte e aperte o parafuso.

Cortes Circulares (fig. H - só KS701E e KS701PE)

- ◆ Introduza o batente de corte na ranhura no lado direito do arrasto com a barra em cruz para cima.

- ◆ Ajuste o batente de corte para que a distância entre a lâmina e o furo na barra em cruz tenha o raio pretendido e aperte o parafuso.
- ◆ Coloque a serra de tal maneira que o centro do furo na barra em cruz fique sobre o centro do círculo a cortar (execute um corte por incisão, faça o furo para a lâmina ou corte para dentro a partir da extremidade do material para colocar a lâmina na posição).
- ◆ Quando a serra estiver correctamente posicionada, introduza um prego pequeno no furo da barra em cruz exactamente no centro do círculo a cortar.
- ◆ Com o batente de corte como braço pivot, comece a cortar o círculo.

Cortes por Incisão (fig. I)

Um corte por incisão é um método fácil de fazer um corte interno. A serra pode ser introduzida directamente num painel ou numa placa sem primeiro perfurar uma guia ou furo piloto. Nos cortes por incisão, meça a superfície a cortar e marque claramente com um lápis. Em seguida, incline a serra para a frente até a parte da frente do arrasto estar bem assente sobre a superfície de trabalho e a lâmina executa o trabalho com um movimento contínuo. Ligue a ferramenta e deixe-a atingir a velocidade máxima. Segure a serra com firmeza e baixe a extremidade posterior da ferramenta lentamente até a lâmina atingir a profundidade completa. Coloque o arrasto sobre a madeira e comece a cortar. Não remova a lâmina do corte enquanto ainda estiver em movimento. A lâmina tem de parar completamente.

Manutenção

A sua ferramenta BLACK+DECKER foi concebida para funcionar

por um longo período de tempo com uma manutenção mínima. Um funcionamento contínuo e satisfatório depende de uma manutenção adequada e da limpeza regular da ferramenta.

- ◆ Limpe regularmente as aberturas de ventilação da ferramenta com uma escova suave ou um pano seco.
- ◆ Limpe regularmente o compartimento do motor com um pano húmido. Não utilize nenhum produto de limpeza abrasivo ou à base de solvente. Nunca deixe nenhum líquido entrar na ferramenta e nunca submerja nenhuma parte da ferramenta em líquido.

Proteção do ambiente



Faça uma recolha de lixo seletiva. Os produtos e as baterias assinalados com este símbolo não devem ser eliminados juntamente com o lixo doméstico normal.

Os produtos e as baterias contêm materiais que podem ser recuperados ou reciclados, reduzindo assim a necessidade de matérias-primas.

Recicle os produtos eléctricos e as baterias de acordo com as disposições locais. Estão disponíveis mais informações em www.2helpU.com

O signatário é responsável pela compilação do ficheiro técnico e efectua esta declaração em nome da Black & Decker Europe.



A. Smith
Technical Director
Black & Decker Europe, 210 Bath Road, Slough,
Berkshire, SL1 3YD
Reino Unido
22/01/2019

Dados técnicos

		KS501 (Typo 1)	KS701E (Typo 2)	KS701PE (Typo 2)
Tensão de entrada	V_{AC}	230	230	230
Potência	W	400	520	520
Velocidade sem carga	Min^{-1}	3,000	0-3,000	0-3,000
Profundidade máxima de corte				
Madeira normal	mm	65	70	70
Aço	mm	5	5	5
Alumínio	mm	10	15	15
Peso	kg	1.3	1.6	1.7

Nível de pressão acústica de acordo com a norma EN 62841:	
Pressão acústica (L_{pA})	89 dB(A), variabilidade (K) 5 dB(A)
Potência acústica (L_{WA})	100 dB(A), variabilidade (K) 5 dB(A)

Valores totais de vibração (soma vectores triaxiais) de acordo com a EN 62841:	
Cortar aglomerado ($a_{n,B}$)	12,5 m/s^2 , imprecisão (K) 1,5 m/s^2
Cortar folhas de metal ($a_{n,W}$)	12,6 m/s^2 , imprecisão (K) 1,5 m/s^2

Garantia

A Black & Decker confia na qualidade dos seus produtos e oferece aos clientes uma garantia de 24 meses a partir da data de compra. Esta garantia é um complemento dos seus direitos estabelecidos por lei, não os prejudicando de forma alguma. A garantia é válida nos Estados-membros da União Europeia e nos países-membros da Zona Europeia de Comércio Livre.

Para accionar a garantia, esta deve estar em conformidade com os termos e condições da Black & Decker e terá de apresentar comprovativos de compra ao vendedor ou a um agente de reparação autorizado. Os termos e condições da garantia de 2 anos da Black & Decker e a localização do agente de reparação autorizado mais próximo podem ser obtidos na Internet em www.2helpU.com ou contactando uma filial da Black & Decker, cuja morada está indicada neste manual.

Declaração de conformidade CE DIRECTIVA "MÁQUINAS"



KS501, KS701E, KS701PE - serrote de ponta

A BLACK+DECKER declara que os produtos descritos em "dados técnicos" estão em conformidade com as seguintes normas:

EN62841-1:2015, EN62841-2-11:2016

Estes produtos estão também em conformidade com a directiva 2006/42/CE, 2014/30/UE e 2011/65/UE.

Para mais informações, contacte a Black & Decker no endereço indicado em seguida ou consulte a parte posterior do manual.

Visite o nosso Website www.blackanddecker.co.uk para registar o novo produto Black & Decker e manter-se atualizado relativamente a novos produtos e ofertas especiais.

Användningsområde

Din BLACK+DECKER KS501, KS701E, KS701PE sticksåg är avsedd för sågning av trä, plast och tunn plåt. Verktöget är endast avsett som konsumentverktyg.

Säkerhetsinstruktioner

Allmänna säkerhetsanvisningar för elverktyg



Varning! Läs alla säkerhetsvarningar, instruktioner, illustrationer och specifikationer som levereras med elverktyg.

Fel som uppstår till följd av att varningarna och instruktionerna som listas nedan inte följts kan orsaka elstöt, brand och/eller allvarliga kroppsskador.

Spara alla säkerhetsföreskrifter och anvisningar för framtida bruk. Begreppet "Elverktyg" i alla varningar som listas nedan avser nätdrivna elverktyg (med nätsladd) och batteridrivna elverktyg (sladdlösa).

1. Säkerhet på arbetsplatsen

- Se till att arbetsområdet är rent och väl belyst.** Belamrade och mörka områden inbjuder till olyckor.
- Använd inte elverktöget i explosionsfarlig omgivning, t.ex. i närheten av brännbara vätskor, gaser eller damm.** Elverktyg skapar gnistor som kan antända damm eller ångor.
- Håll barn och åskådare på avstånd vid arbete med elverktöget.** Distractioner kan göra att du förlorar kontrollen.

2. Elsäkerhet

- Elverktögets stickkontakt måste passa i eluttaget. Modifiera aldrig kontakten på något sätt. Använd inga adapterkontakter tillsammans med jordade elverktyg.** Icke modifierade kontakter och passande uttag minskar risken för elektrisk stöt.
- Undvik kroppskontakt med jordade ytor, t.ex. rör, värmeelement, spisar och kylskåp.** Det finns en ökad risk för elektrisk stöt om din kropp är jordansluten eller jordad.
- Utsätt inte elverktöget för regn eller våta omgivelningar.** Vatten som kommer in i ett elverktyg ökar risken för elektrisk stöt.
- Misshandla inte nätsladden. Använd aldrig sladden för att bära, dra eller koppla bort elverktöget från uttaget. Håll sladden borta från värme, olja, skarpa kanter eller rörliga delar.** Skadade eller tilltrasslade sladdar ökar risken för elektrisk stöt.
- Använd en förlängningsladd som lämpar sig för utomhusbruk när du arbetar med elverktyg utomhus.** Användning av en sladd som är lämplig för utomhusbruk minskar risken för elektriska stötar.

- Om du måste använda ett elverktyg på en fuktig plats, bör du använda en strömförsörjning med jordfelsbrytare.** Användning av en jordfelsbrytare minskar risken för elektrisk stöt.

3. Personlig säkerhet

- Var uppmärksam, se på vad du gör och använd sunt omdöme när du använder elverktöget. Använd inte ett elverktyg när du är trött eller påverkad av droger, alkohol eller mediciner.** Ett ögonblicks ouppmärksamhet när du arbetar med elektriska verktyg kan leda till allvarliga personsador.
- Använd personlig skyddsutrustning. Använd alltid skyddsglasögon.** Skyddsutrustning såsom dammfilterskydd, halksäkra säkerhets skor, skyddshjälm eller hörselskydd som används för lämpliga förhållanden minskar personsador.
- Förhindra oavsiktlig start. Kontrollera att strömbrytaren står i avstängt läge innan du ansluter verktöget till elnätet eller sätter i batteriet, samt innan du tar upp eller bär verktöget.** Att bära elektriska verktyg med fingret på strömbrytaren eller att koppla strömmen till elektriska verktyg när strömbrytaren är på leder till olyckor.
- Ta bort alla inställningsverktyg och skruvnycklar innan du startar elverktöget.** Ett verktyg eller en nyckel som har lämnats kvar på en roterande del av det elektriska verktöget kan orsaka kroppsskador.
- Sträck dig inte för mycket. Ha ordentligt föfäste och balans hela tiden.** Detta möjliggör bättre kontroll av elverktöget i oväntade situationer.
- Bär lämpliga kläder. Bär inte lösa kläder eller smycken. Håll hår, beklädnad och handskar borta från delar i rörelse. Lösa kläder, smycken eller långt hår kan fastna i rörliga delar.**
- Om enheten har dammsugnings- och uppsamlingsutrustning, se till att den är ansluten och används på korrekt sätt.** Användning av dammuppsamling kan minska dammrelaterade risker.
- Låt inte förtrogenheten som uppstått genom regelbunden användning av verktyg låta dig bli självsäker och ignorera verktögets säkerhetsprinciper.** En oförsiktig handling kan orsaka allvarliga skador under bräkdelen av en sekund.

4. Användning och skötsel av elverktyg

- Överbelasta inte elverktöget. Använd rätt elverktyg för ditt arbete.** Det korrekta elverktöget gör arbetet bättre och säkrare vid den hastighet för vilket det konstruerades.
- Använd inte elverktöget om det inte kan startas och stängas av med strömbrytaren.** Ett elverktyg som inte kan kontrolleras med strömbrytaren är farligt och måste repareras.

- c. **Dra stickproppen ur vägguttaget och/eller ta ut batteriet ur elverktyget innan inställningar görs, tillbehör byts ut eller elverktyget ställs undan.** Sådana förebyggande säkerhetsåtgärder minskar risken att oavsiktligt starta elverktyget.
- d. **Förvara elverktyg utom räckhåll för barn och låt inte personer som är ovana vid elverktyget eller som inte läst denna bruksanvisning använda det.** Elverktyg är farliga i händerna på ovana användare.
- e. **Underhålla elverktyg och tillbehör. Kontrollera att rörliga komponenter fungerar felritt och inte kärvar, att komponenter inte gått sönder eller skadats och inget annat föreligger som kan påverka elverktygets funktion. Om det är skadat, se till att elverktyget blir reparerat före användning.** Många olyckor orsakas av dåligt underhållna elektriska verktyg.
- f. **Håll skärande verktyg vassa och rena.** Korrekt underhållna kapverktyg med vassa skär är mindre troliga att de fastnar och är lättare att kontrollera.
- g. **Använd elverktyg, tillbehör, bits m.m. enligt dessa anvisningar, samtidigt som arbetsförhållandena och det arbete som ska utföras beaktas.** Användning av elverktyget för andra uppgifter än vad som avsetts kan resultera i farliga situationer.
- h. **Håll handtagen och greppytorna torra, rena och fria från olja och fett.** Hala handtag och feta ytor förhindrar säker hantering och kontroll av verktyget i oväntade situationer.
5. **Service**
- a. **Låt en kvalificerad reparatör som bara använder identiska reservdelar utföra service på elverktyget.** Detta säkerställer att elverktygets säkerhet bibehålls.

Ytterligare säkerhetsanvisningar för elverktyg



Varning! Säkerhetsinstruktioner för alla sågar

- ◆ **Håll verktyget i de isolerade greppytorna vid arbete där bladet riskerar att komma i kontakt med dolda elledningar.** Om bladet går igenom en strömförande ledning kan verktygets metalldelar bli strömförande och ge dig en elektrisk stöt.
- ◆ **Fäst arbetsstycket vid ett stabilt underlag med tvingar eller på något annat lämpligt sätt.** Om du håller fast arbetsstycket med handen eller trycker det mot kroppen blir det instabilt och du kan förlora kontrollen.
- ◆ **Håll händerna borta från arbetsområdet.** Sträck aldrig i händerna under arbetsstycket. Undvik att ha fingrarna i närheten av det pendlande sågbladet och bladklämman. Undvik att stabilisera sågen genom att hålla i sågskon.

- ◆ **Håll sågbladen välslipade.** Slöa eller skadade sågblad kan orsaka att sågen kommer i svängning eller stannar helt när den belastas. Använd alltid en typ av sågblad som är lämplig för det material du ska såga i och för hur du ska såga.
- ◆ **Vid sågning i rör och liknande ska du se till att de inte innehåller vatten, elledningar osv.**
- ◆ **Undvik att vidröra arbetsstycket eller sågbladet direkt efter sågning.** De kan bli mycket varma.
- ◆ **Var uppmärksam på dolda faror innan du sågar i väggar, golv eller tak. Kontrollera om det finns rör eller elledningar.**
- ◆ **Sågbladet fortsätter att röra sig en kort stund efter att du har släppt strömbrytaren.** Stäng alltid av verktyget och vänta tills sågbladet har stannat helt innan du lägger det ifrån dig.

Varning! Sågning ger upphov till damm som kan skada den som använder verktyget och andra i närheten vid kontakt eller inandning. Använd en specialkonstruerad ansiktsmask som skyddar mot damm och ångor och se till att personer som vistas inom eller i närheten av arbetsområdet också är skyddade.

- ◆ Användningsområdet beskrivs i den här bruksanvisningen. Om andra tillbehör eller tillsatser används, eller om någon annan åtgärd än de som rekommenderas i den här bruksanvisningen utförs med verktyget kan personer och/eller egendom ta skada.

Säkerhet för andra

- ◆ Detta verktyg kan användas av barn från 8 år och personer med nedsatt fysisk eller psykisk förmåga eller bristande erfarenhet eller kunskap, om de övervakas eller får instruktioner om hur apparaten används och är medvetna om riskerna.
- ◆ Barn ska inte leka med apparaten. Rengöring och användarunderhåll ska inte utföras av barn utan övervakning.

Övriga risker

Ytterligare risker som inte finns med i de bifogade säkerhetsanvisningarna kan uppstå när verktyget används. Dessa risker kan uppstå vid felaktig användning, långvarig användning, o.s.v.

Även om alla relevanta säkerhetsföreskrifter följs och säkerhetsanordningar används kan vissa ytterligare risker inte undvikas. Dessa innefattar:

- ◆ Skador orsakade av att roterande/rörliga delar vidrörs.
- ◆ Skador som uppstår vid byte av delar, blad eller tillbehör.
- ◆ Skador som orsakas av långvarig användning av ett verktyg. Se till att ta regelbundna raster när du använder ett verktyg under en längre period.
- ◆ Skador på hörseln.

- ◆ Hälsorisker orsakade av inandning av damm när redskapet används (exempel: arbete med trä, särskilt ek, bok och MDF).

Vibrationer

De vibrationsvärden som anges i avsnitten Tekniska data och EG-deklarationen om överensstämmelse har uppmätts i enlighet med en standardtestmetod föreskriven i EN 62841 och kan användas för jämförelse med andra verktyg. Det angivna vibrationsvärdet kan även användas för en preliminär bedömning av exponeringen.

Varning! Vibrationsvärdet under faktisk användning av elverktyget kan skilja sig från det uppgivna värdet beroende på hur verktyget används. Vibrationsnivån kan överstiga den uppgivna nivån.

Vid uppskattning av vibrationsexponering i syfte att bedöma vilka säkerhetsåtgärder som är nödvändiga enligt 2002/44/EG för att skydda personer som regelbundet använder elverktyg i arbetet ska man utgå från de faktiska omständigheter under vilka elverktyget används och sättet på vilket det används. Bedömningen ska även ta hänsyn till alla moment i arbetscykeln, t.ex. när verktyget är avstängt och när det går på tomgång såväl som när det faktiskt används.

Märkningar på apparaten

Följande varningssymboler finns på verktyget, tillsammans med datumkoden:



Varning! Läs bruksanvisningen före användning för att minska risken för olyckor.

Elsäkerhet



Eftersom verktyget är dubbelisolerat behövs ingen jordledare. Kontrollera alltid att nätspänningen överensstämmer med värdet på typskylten.

- ◆ Om nätsladden är skadad måste den för undvikande av fara bytas ut av tillverkaren eller en auktoriserad BLACK+DECKER-verkstad.

Funktioner

Det här verktyget har några eller samtliga av följande funktioner

1. Strömbrytare med variabel hastighet (KS701E, KS701PE) eller på av-strömbrytare (KS501).
2. Låsknapp
3. Låsspak för sågblad
4. Sågsko
5. Dammuppsugningshål (endast KS701E och KS701PE)
6. Väljare för pendelsågrörelse (endast KS701PE)

Montering

Varning! Innan du gör något av nedanstående ska du kontrollera att verktyget är avstängt, att sågbladet är orörligt och att sladden inte sitter i. Ett sågblad som nyligen har använts kan vara hett.

Montera sågbladet (fig. A – KS701E och KS701PE)

- ◆ Håll sågbladet (7) som bilden visar med tänderna framåt.
- ◆ Tryck sågskons låsspak (3) bort från sågskon (4).
- ◆ Tryck in sågbladets skaft så långt som möjligt i bladhållaren (8).
- ◆ Släpp låsspaken (3).

Montera sågbladet (fig. A – KS501)

- ◆ Innan du monterar eller tar bort sågbladet (7) måste stödrollen (17) justeras bakåt, så att den inte vidrör bladet.
- ◆ Lossa (men ta inte bort) de två skruvarna (18).
- ◆ Håll sågbladet (7) med tänderna framåt.
- ◆ Tryck in sågbladets (7) skaft så långt som möjligt i bladhållaren (8).
- ◆ Dra åt de två skruvarna (18) lite grand växelvis så att bladet hamnar i rätt läge, och dra sedan åt skruvarna (18) helt.
- ◆ Justera sågbladets stödroll (17) enligt beskrivningen ovan.
- ◆ Ta loss sågbladet (7) genom att vrida båda skruvarna (18) ett varv moturs.

Ansluta en dammsugare till verktyget (fig. B - endast KS701E och KS701PE).

- ◆ Skjut in dammsugarmunstycket (9) i dammuppsugningshålet (5).

Användning

Justera sågskon för vinkelsågning (fig. C)

Varning! Använd aldrig verktyget om sågskon är lös eller borttagen.

Sågskon (4) kan vinklas upp till 45° åt vänster eller höger.

- ◆ Lossa på skruvarna (10). En del modeller har en skruv.
- ◆ För sågskon (4) framåt, vrid den åt vänster eller höger och för tillbaka den till 45°-läget. (endast KS701E och KS701PE)
- ◆ Tryck sågskon (4) bakåt, vrid den åt höger och dra tillbaka den till 45°-läget. (endast KS501)
- ◆ Dra åt skruvarna.

Så här återställer du sågskon (4) för sågning i 90°:

- ◆ Lossa skruven (10).
- ◆ Dra sågskon (4) framåt, vrid den till mittenläget och tryck tillbaka den till 0°.
- ◆ Dra åt skruven.

Varierbar hastighetskontroll (endast KS701E och KS701PE)

- ◆ Välj hög hastighet för trä, medelhög för aluminium och plast och låg hastighet för andra metaller än aluminium.

Slå på och av

- ◆ Starta verktyget genom att trycka på strömbrytaren för variabel hastighet (KS701E och KS701PE) eller på/av-strömbrytaren (KS501) (1). På KS701E och KS701PE beror hastigheten på hur långt du trycker strömbrytaren.
- ◆ Tryck in låsknappen (2) och tryck på strömbrytaren för variabel hastighet om du vill köra kontinuerligt. Det går bara att göra vid maximal hastighet.
- ◆ Slå av verktyget genom att släppa strömbrytaren för variabel hastighet. Under kontinuerlig drift stänger du av verktyget genom att trycka in och släppa strömbrytaren för variabel hastighet en gång till.

Använda funktionen Sightline® (fig. D)

- ◆ Märk ut såglinjen med en blyertspenna.
- ◆ Placera sågen över linjen (11).

Det är enkelt att följa såglinjen om du håller huvudet rakt ovanför sågen.

Sågläge (endast KS701PE)

Pendelsågrörelsen innebär en mer aggressiv blad rörelse och är avsedd för sågning i mjuka material som trä eller plast. Det ger snabbare sågning, men snittet blir inte lika fint. Sågen har en väljare för pendelsågrörelse. Hur du ställer in väljaren beskrivs i nästa avsnitt.

Obs! Använd aldrig pendelsågrörelsen för att såga i metall.

Väljare för pendelsågrörelse (fig. E – endast KS701PE)

KS701PE har dessa fyra såglägen med olika mycket pendelrörelse:

- ◆ Läge 0: metall, aluminium och plåt (ingen pendelrörelse).
- ◆ Läge 1: laminat, hårträ, bänkskivor.
- ◆ Läge 2: plywood och PVC/plast.
- ◆ Läge 3: mjukt trä och snabbsågning

Justera pendelrörelsen:

- ◆ Vrid väljaren för pendelrörelsen (6) till önskat läge.

Sågning

Håll sågen stadigt med båda händerna när du sågar.

Sågfoten (4) ska tryckas ordentligt mot materialet som sågas. Detta motverkar att sågen hoppar, minskar vibrationerna och minskar risken för att sågbladet går av.

- ◆ Låt sågbladet gå i några sekunder innan du börjar såga.
- ◆ Tryck bara försiktigt på sågen medan du sågar.

Tips för optimal användning

Såga i laminat

Vid sågning i laminat kan arbetsstycket flisa sig, vilket kan skada snittytan. De vanligaste sågbladen sågar i den uppåtgående rörelsen, så om sågfoten vilar mot arbetsstycket bör du använda ett sågblad som sågar i den nedåtgående rörelsen eller:

- ◆ Använda ett fintandat sågblad.
- ◆ Vända arbetsmaterialets undersida uppåt när du sågar.
- ◆ Minska risken för flisor genom att tvinga fast en överbliven träbit eller hård träfiberskiva på båda sidor av arbetsmaterialet och såga genom alltihop som en dubbelsmörgås.

Såga i metall

Varning! Använd inte dammsugare när du sågar i metall. Metallspånen är heta och kan orsaka brand.

Tänk på att det tar mycket längre tid att såga i metall än i trä.

- ◆ Välj ett sågblad som lämpar sig för metallsågning.
- ◆ Vid sågning av tunn metallplåt tvingar du fast en överbliven träbit på arbetsmaterialets undersida och sågar genom båda lagren som en dubbelsmörgås.
- ◆ Smörj såglinjen med olja innan du sågar.

Anhåll (endast KS701E och KS701PE)

Klyv- och cirkelsågning utan pennstreck blir enkelt med anhåll och cirkelanslag (finns som tillval – artikelnummer X43005-XJ).

Montera anhåll (fig. F och G)

- ◆ För in anhållet (14) i spåren på sågskon med tvärstaget nedåt som figur F visar.
- ◆ Placera skruven (15) i hålet i botten på sågskon.
- ◆ Rikta in fäststycket (16) över skruven med läppen nedåt och i riktning mot sågens bakre del.
- ◆ Använd en stjärnskruvmejsel för att skruva in skruven i det gängade hålet i fäststycket som figur G visar.
- ◆ Justera till rätt sågbredd och dra åt skruven.

Cirkelsågning (fig. H – endast KS701E och KS701PE)

- ◆ För in anhållet i spåret på sågskons högra sida med tvärstaget uppåt.
- ◆ Justera anhållet så att avståndet från bladet till hålet i tvärstaget utgör den önskade radien och dra åt skruven.
- ◆ Placera sågen så att mitten på hålet i tvärstaget befinner sig över centrum på den cirkel som ska sågas (gör en instickssågning, borra hål för bladet eller såga inåt från kanten på materialet för att få bladet i rätt läge).
- ◆ När sågen är rätt placerad sticker du en liten spik genom hålet i tvärstaget och exakt in i mitten på den cirkel som ska sågas.

- Med anhållet som passare börjar du såga i cirkel.

Instickssågning (fig. I)

Instickssågning är ett enkelt sätt att göra en invändig sågning. Sågen kan föras in i en panel eller skiva utan att du först borrar ett hål. Vid instickssågning mäter du upp den yta som ska sågas och markerar den tydligt med en penna. Vinkla sedan sågen framåt tills sågskons främre del ligger stadigt an mot arbetsytan och bladet är i sitt yttersta läge. Slå på verktyget och låt det uppnå maximal hastighet. Håll sågen stadigt och sänk sakta bakre delen av verktyget tills bladet når fullt djup. Håll sågskon platt mot träet och börja såga. Ta inte ut bladet från snittet medan det fortfarande rör sig. Bladet måste stanna helt.

Underhåll

Detta BLACK+DECKER-verktyg har konstruerats för att fungera under lång tid med ett minimum av underhåll. Med rätt underhåll och regelbunden rengöring behåller verktyget sina prestanda.

- Rengör regelbundet apparatens luftintag med en mjuk borste eller torr trasa.
- Rengör motorkåpan regelbundet med en fuktig trasa. Använd inte rengöringsprodukter som innehåller slip- eller lösningsmedel. Låt aldrig någon vätska komma in i verktyget och doppa det inte i någon vätska.

Skydda miljön



Separat insamling. Produkter och batterier som är markerade med denna symbol får inte kastas in i de vanliga hushållssoporna.

Produkter och batterier innehåller material som kan återanvändas eller återvinnas för att minska behovet av råmaterial.

Återvinn elektriska produkter och batterier enligt lokala bestämmelser. Närmare information finns tillgänglig på www.2helpU.com

Tekniska data

		KS501 (Typ 1)	KS701E (Typ 2)	KS701PE (Typ 2)
Inspänning	V _{AC}	230	230	230
Ineffekt	W	400	520	520
Tomgångshastighet	Min ⁻¹	3,000	0-3,000	0-3,000
Maximalt sågningsdjup				
Trä	mm	65	70	70
Stål	mm	5	5	5
Aluminium	mm	10	15	15
Vikt	kg	1.3	1.6	1.7

Ljudtrycksnivå enligt EN 62841:
Ljudtrycksnivå (L _{pa}) 89 dB(A), osäkerhet (K) 5 dB(A)
Ljudeffekt (L _{WA}) 100 dB(A), osäkerhet (K) 5 dB(A)
Totala vibrationsvärden (vektorsumman av tre axlar) enligt EN 62841:
Sågning av spånskivor(a _{n,lv}) 12,5 m/s ² , osäkerhet (K) 1,5 m/s ²
Sågning av metallplåt (a _{n,lv}) 12,6 m/s ² , osäkerhet (K) 1,5 m/s ²

EG-försäkran om överensstämmelse MASKINDIREKTIVET



KS501, KS701E, KS701PE - sticksåg

Black & Decker garanterar att produkterna som beskrivs under "Tekniska data" uppfyller EN62841-1:2015, EN62841-2-11:2016

Dessa produkter överensstämmer även med direktiven 2006/42/EG, 2014/30/EU och 2011/65/EU.

Mer information får du genom att kontakta Black & Decker på följande adress eller titta i slutet av bruksanvisningen.

Undertecknad är ansvarig för sammanställningen av tekniska data och gör denna försäkran för Black & Decker Europe

A. Smith
Technical Director
Black & Decker Europe, 210 Bath Road, Slough,
Berkshire, SL1 3YD
Storbritannien
22/01/2019

Garanti

Black & Decker är säker på kvaliteten hos denna produkt och erbjuder kunder 24 månaders garanti från datumet för inköpet. Garantin gäller utöver konsumentens rättigheter enligt lag och påverkar inte dessa. Garantin är giltig i de områden som tillhör medlemsstaterna i Europeiska unionen och det europeiska frihandelsområdet.

För yrkande under garantin måste yrkandet vara i enlighet med Black & Deckers villkor och du kommer att behöva skicka in bevis på köpet till försäljaren eller en auktoriserad reparatör. Villkoren för Black & Deckers tvååriga garanti och var du hittar din närmaste auktoriserade reparatör kan erhållas på internet på www.2helpU.com, eller genom att kontakta ditt

SVENSKA

(Översättning av originalanvisningarna)

lokal Black & Decker kontor på adressen som angetts i denna bruksanvisning.

Besök vår webbplats www.blackanddecker.se för att registrera din nya Black & Decker-produkt samt för att få information om nya produkter och specialerbjudanden.

NORSK

(Oversettelse av de opprinnelige instruksjonene)

Bruksområde

Stikksagen KS501, KS701E, KS701PE fra BLACK+DECKER er konstruert for saging av treverk, plast og metallplater. Verktøyet er beregnet bare som konsumentverktøy.

Sikkerhetsinstruksjoner

Generelle sikkerhetsadvarsler for elektroverktøy



Advarsel! Les alle sikkerhetsanvisninger, instruksjoner, illustrasjoner og spesifikasjoner som følger dette elektriske verktøyet. Hvis advarslene og anvisningene nedenfor ikke overholdes, kan det medføre elektrisk støt, brann og/eller alvorlige personskader.

Ta vare på alle advarsler og instruksjoner for fremtidig bruk. Uttrykket "elektroverktøy" i alle advarslene nedenfor gjelder for strømdrevne elektroverktøy (med ledning) og batteridrevne elektroverktøy (uten ledning).

1. Sikkerhet i arbeidsområdet

- Hold arbeidsområdet rent og godt opplyst.** Rotete eller mørke områder er en invitasjon til ulykker.
- Ikke arbeid med elektroverktøy i eksplosjonsfarlige omgivelser, for eksempel der det befinner seg brennbare væsker, gass eller støv.** Elektrisk verktøy skaper gnister som kan antenne støv eller gasser.
- Hold barn og andre personer unna når du bruker et elektroverktøy.** Distraksjoner kan føre til at du mister kontrollen.

2. Elektrisk sikkerhet

- Støpselet til verktøyet må passe til stikkkontakten. Aldri modifierer støpselet på noen måte. Ikke bruk adapterstøpsler til jordede elektriske verktøy.** Umodifiserte støpsler og stikkontakter som passer vil redusere risikoen for elektrisk sjokk.

NORSK

(Oversettelse av de opprinnelige instruksjonene)

- Unngå kroppskontakt med jordede overflater som rør, radiatorer, komfyrer og kjøleskap.** Det er økt risiko for elektrisk støt dersom kroppen din er jordet.
 - Ikke utsett elektroverktøy for regn eller fuktighet.** Dersom det kommer vann inn i et elektrisk verktøy vil det øke risikoen for elektrisk sjokk.
 - Unngå uforvarslig behandling av ledningen. Aldri bruk ledningen til å bære, trekke eller dra ut støpselet til det elektriske verktøyet. Hold ledningen borte fra varme, olje, skarpe kanter eller bevegelige deler.** Skadede eller innviklede ledninger øker risikoen for elektrisk sjokk.
 - Når du bruker et elektroverktøy utendørs, må du bruke en skjøteledning som er egnet til utendørs bruk.** Bruk av en skjøteledning beregnet for utendørs bruk reduserer risikoen for elektrisk støt.
 - Hvis du ikke kan unngå å bruke elektroverktøy på et fuktig sted, må du bruke en strømforsyning som er beskyttet med jordfeilbryter (RCD).** Bruk av jordfeilbryter (RCD) reduserer risikoen for elektrisk støt.
- #### 3. Personikkerhet
- Vær oppmerksom, pass på hva du gjør, og vis fornuft når du arbeider med et elektroverktøy. Ikke bruk et elektrisk verktøy dersom du er trøtt eller er påvirket av medikamenter, narkotika eller alkohol.** Ett øyeblikks uoppmerksomhet under bruk av elektriske verktøy kan føre til alvorlig personskade.
 - Bruk personlig verneutstyr. Bruk alltid vernerbriller.** Verneutstyr slik som støvmaske, sklisikre vernesko, hjelm, eller hørselsvern brukt under passende forhold vil redusere personskader.
 - Forhindre utilsiktet start. Kontroller at bryteren står i posisjon "av" før du kobler til strømkilden og/eller batteripakken, og før du tar opp eller bærer verktøyet.** Å bære elektriske verktøy med fingeren på bryteren eller å sette inn støpselet mens elektriske verktøy har bryteren på øker faren for ulykker.
 - Fjern eventuelt innstillingsverktøy eller skruverktøy før du slår på elektroverktøyet.** Et skruverktøy eller en nøkkel som fortsatt er festet til en roterende del av elektroverktøyet, kan føre til personskade.
 - Ikke strekk deg for langt. Ha godt fotfeste og stå støtt hele tiden.** Dette fører til at du har bedre kontroll over det elektriske verktøyet ved uventede situasjoner.
 - Bruk egnede klær. Ikke ha på deg løstsittende klær eller smykker. Hold hår, antrekk og hansker borte fra bevegelige deler.** Løstsittende klær, smykker og langt hår kan bli fanget opp av bevegelige deler.
 - Hvis det kan monteres støvavsug- og oppsamlingsinnretninger, må du forvise deg om at disse er tilkoblet og brukes på riktig måte.** Bruk av støvoppsamlere kan redusere støvrelaterte farer.

- h. Ikke la erfaring med hyppig bruk av verktøy la deg bli likegyldig og ignorere verktøyet sikkerhetsregler. En uforsiktig handling kan føre til alvorlig personskade på brokdelen av et sekund.
4. **Bruk og behandling av elektroverktøy**
- a. **Ikke bruk makt på elektroverktøyet. Bruk det elektriske verktøyet som situasjonen krever.** Det riktige elektriske verktøyet vil gjøre jobben bedre og tryggere ved den hastigheten det ble konstruert for.
- b. **Ikke bruk elektroverktøyet hvis du ikke kan slå det på og av med bryteren.** Ethvert elektrisk verktøy som ikke kan kontrolleres med bryteren er farlig og må repareres.
- c. **Trekk støselet ut av stikkkontakten og/eller koble fra batteripakken på elektroverktøyet før du utfører innstillinger, bytter tilbehør eller legger elektroverktøyet bort for lagring.** Slike preventive sikkerhetsforanstaltninger reduserer risikoen for å starte det elektriske verktøyet ved et uhell.
- d. **Elektroverktøy som ikke er i bruk, må oppbevares utilgjengelig for barn.** Ikke la verktøyet bli brukt av personer som ikke er fortlrolige med det, eller som ikke kjenner disse instruksjonene. Elektriske verktøy er farlige i hendene på utrenede brukere.
- e. **Sørg for vedlikehold av elektroverktøy og tilbehør. Undersøk om bevegelige deler er feiljustert eller blokkert, om deler er skadet, og om det er andre forhold som kan påvirke elektroverktøyet funksjon.** Dersom det er skadet, få verktøyet reparert før neste bruk. Mange ulykker forårsakes av dårlig vedlikeholdte verktøy.
- f. **Hold skjæreverktøy skarpe og rene.** Godt vedlikeholdte skjæreverktøy med skarpe skjærekanten setter seg mindre sannsynlig fast og er lettere å kontrollere.
- g. **Bruk elektroverktøy, tilbehør, bits osv. i henhold til disse instruksjonene. Ta hensyn til arbeidsforholdene og arbeidet som skal utføres.** Bruk av det elektriske verktøyet for oppgaver som er forskjellige fra de som er tiltenkt kan føre til en farlig situasjon.
- h. **Hold håndtakene og gripeflatene tørre, rene og frie for olje og fett.** Glatte håndtak og gripeflater forhindrer trygg håndtering og kontroll av verktøyet i uventede situasjoner.
5. **Service**
- a. **Elektroverktøyet skal repareres av kvalifisert personell og bare med originale reservedeler.** Dette vil sikre at verktøyet sikkerhet blir ivaretatt.
- ◆ **Hold elektroverktøyet i de isolerte grepene når du utfører et arbeid hvor skjæretilbehøret kan komme i kontakt med skjulte ledninger.** Hvis skjæretilbehøret kommer i kontakt med en strømførende ledning, kan frittliggende metalldele på verktøyet bli strømførende, og brukeren kan få elektrisk støt.
 - ◆ **Bruk klemmer eller andre praktiske metoder for å spenne fast og støtte arbeidsstykket på en stabil plattform.** Hvis arbeidsstykket holdes med hånden eller inn mot kroppen, vil det være ustabil, og dette kan lett føre til at du mister kontrollen.
 - ◆ **Hold hendene borte fra skjærområdet.** Du må aldri gripe under arbeidsstykket av noen som helst årsak. Du må ikke føre fingrene eller tomlene inn i nærheten av bladfestet eller bladet som går frem og tilbake. Ikke stabiliser saken ved å ta tak i foten.
 - ◆ **Hold bladene skarpe.** Sløve eller skadde sagblader kan få saken til å bøye av eller stanse under press. Bruk alltid sagblader som egner seg for arbeidsstykkets materiale og den type saging det er snakk om.
 - ◆ **Når du sager rør eller kanaler, må du kontrollere at de er fri for vann, elektriske ledninger osv.**
 - ◆ **Ikke berør arbeidsstykket eller sagbladet straks etter at du har brukt verktøyet.** De kan bli svært varme.
 - ◆ **Vær oppmerksom på skjulte farer før du sager i vegger, gulv eller tak.** Lokaliser eventuelle kabler og rør.
 - ◆ **Sagbladet vil fortsatt være i bevegelse etter at bryteren slippes løs.** Slå alltid verktøyet av, og vent til sagbladet stanser helt, før du setter verktøyet ned.
- Advarsel!** Kontakt med eller inhalering av støv som oppstår ved skjæring, kan være helseskadelig for operatøren og eventuelle tilskuere. Bruk en spesialmaske som verner mot støv og damp, og pass på at andre som oppholder seg eller kommer inn i området der du arbeider, også beskyttes seg.
- ◆ Beregnet bruk er beskrevet i denne håndboken. Bruk av tilbehør eller utføring av oppgaver som ikke er anbefalt for verktøyet i denne håndboken, kan medføre fare for personskade og/eller skade på eiendom.

Andre personers sikkerhet

- ◆ Dette apparatet kan brukes av barn som er 8 år eller eldre samt av personer som har reduserte fysiske, sansemessige eller mentale evner, eller som mangler erfaring og kunnskap, hvis de har tilsyn eller har fått veiledning i bruk av apparatet på en trygg måte og forstår farene som foreligger.
- ◆ Barn skal ikke leke med apparatet. Rengjøring og brukervedlikehold skal ikke utføres av barn uten tilsyn.

Andre former for risiko

Ved bruk av verktøyet kan det oppstå ytterligere risikoer som kanskje ikke er inkludert i sikkerhetsadvarslene som følger

Ytterligere sikkerhetsadvarsler for elektroverktøy



Advarsel! Sikkerhetsinstruksjoner for alle sager

med. Disse risikoene kan bli forårsaket av feil bruk, langvarig bruk osv.

Selv om de relevante sikkerhetsbestemmelsene blir fulgt, og sikkerhetstiltakene blir gjennomført, kan visse gjenværende risikoer ikke unngås. Disse omfatter:

- ◆ Personskader som forårsakes av berøring av en roterende/bevegelig del.
- ◆ Personskader som forårsakes av at en del, et blad eller tilbehør endres.
- ◆ Personskader som forårsakes av langvarig bruk av et verktøy. Når du bruker et verktøy i lange perioder, må du sørge for å ta regelmessige pauser.
- ◆ Svekket hørsel.
- ◆ Helsefarer som forårsakes av innånding av støv som dannes når du bruker verktøyet (eksempel: arbeid med tre, spesielt eik, bøk og MDF).

Vibrasjon

Vibrasjonsemisjonsverdien som er angitt under tekniske data og samsvarserklæring, er blitt målt i henhold til en standard testmetode som er angitt i EN 62841, og kan brukes til å sammenligne et verktøy med et annet. Den oppgitte vibrasjonsemisjonsverdien kan også brukes til en foreløpig vurdering av eksponering.

Advarsel! Vibrasjonsemisjonsverdien under faktisk bruk av elektroverktøyet kan avvike fra den oppgitte verdien avhengig av måten verktøyet blir brukt på. Vibrasjonsnivået kan øke over nivået som er oppgitt.

Når man vurderer vibrasjonseksponering for å bestemme sikkerhetstiltak som kreves i 2002/44/EF, for å beskytte personer som bruker elektroverktøy regelmessig i arbeidet, skal man når man anslår vibrasjonseksponeringen, ta hensyn til de faktiske bruksforholdene og måten verktøyet blir brukt på, inkludert hensyn til alle deler av brukssyklusen – også de gangene verktøyet slås av, og når det går på tomgang, i tillegg til tiden utløseren er inne.

Merking på verktøyet

Følgende advarselssymboler vises på verktøyet sammen med datokoden:



Advarsel! Brukeren må lese håndboken for å redusere risikoen for personskade.

Elektrisk sikkerhet



Dette apparatet er dobbeltisolert. Jording er derfor ikke nødvendig. Kontroller alltid at nettspenning er i overensstemmelse med spenningen på typeskiltet.

- ◆ Hvis strømledningen blir skadet, må den skiftes av produsenten eller et autorisert BLACK+DECKER-servicesenter for å unngå fare.

Funksjoner

Dette verktøyet har noen av eller alle av følgende funksjoner.

1. Bryter for variabel hastighet (KS701E, KS701PE) eller på/av-bryter (KS501)
2. Låseknapp
3. Låsespak for sagblad
4. Fotplate
5. Støvtuttak (kun KS701E og KS701PE)
6. Bryter for pendelbevegelse (kun KS701PE)

Montering

Advarsel! Før du utfører noen av fremgangsmåtene nedenfor, må du kontrollere at verktøyet er slått av, kontakten plagget ut og sagbladet har stoppet. Brukte sagblad kan være varme.

Montere sagbladet (figur A - KS701E og KS701PE)

- ◆ Hold sagbladet (7) som vist, med taggene vendt fremover.
- ◆ Trykk låsespaken (3) vekk fra fotplaten (4).
- ◆ Sett festetappen til sagbladet så langt inn i bladholderen (8) som den går.
- ◆ Slipp låsespaken (3).

Montere sagbladet (fig. A - KS501)

- ◆ Før du monterer eller demonterer sagbladet (7), må styrerullen for sagbladet (17) justeres til bakre posisjon, slik at den ikke er i kontakt med bladet.
- ◆ Løsne (men ikke fjern) de to skruene (18).
- ◆ Hold sagbladet (7) med taggene vendt fremover.
- ◆ Sett festetappen til sagbladet (7) så langt inn i bladholderen (8) som den går.
- ◆ Stram de to skruene (18) etter tur for å plassere bladet. Stram så de to skruene (18) helt.
- ◆ Juster styrerullen for sagbladet (17) som beskrevet ovenfor.
- ◆ Når du skal demontere sagbladet (7), vrir du begge skruer (18) én omdreining mot klokken.

Koble en støvsuger til verktøyet (figur B - kun KS701E og KS701PE)

- ◆ Skyv sugedyksen (9) inn støvtuttaket (5).

Bruk

Justere fotplaten for skråkutting (fig. C)

Advarsel! Bruk aldri verktøyet mens fotplaten er løs eller fjernet.

Fotplaten (4) kan skråstilles opptil 45° både til høyre og venstre.

- ◆ Løsne skruene (10). Noen modeller har bare én skruer.

- ◆ Trekk foten (4) fremover, vri foten til venstre eller høyre, og skyv den tilbake i posisjonen for 45°. (kun KS701E og KS701PE).
- ◆ Trykk foten (4) bakover, vri den til høyre, og trekk den tilbake i posisjonen for 45°. (kun KS501).
- ◆ Stram skruene.

Tilbakestille fotplaten (4) for 90°-kutt:

- ◆ Løsne skruen (10).
- ◆ Trekk foten (4) fremover, vri den til midtstilling, og skyv den tilbake i posisjonen for 0°.
- ◆ Stram skruen.

Variabel hastighetsregulering (kun KS701E og KS701PE)

- ◆ Bruk en høy hastighet for tre, middels hastighet for aluminium og PVC og lav hastighet for andre metaller.

Slå av og på

- ◆ Når du skal slå verktøyet på, trykker du på bryteren for variabel hastighet (KS701E og KS701PE) eller på/av- bryteren (KS501) (1). På KS701E- og KS701PE-enheter avhenger starthastigheten av hvor langt du trykker bryteren.
- ◆ Hvis du ønsker å holde verktøyet i kontinuerlig drift, trykker du inn låseknappen (2) og trykker på bryteren for variabel hastighet. Dette valget er bare tilgjengelig ved full hastighet.
- ◆ Når du skal slå verktøyet av, slipper du bryteren for variabel hastighet. Hvis du vil slå av verktøyet mens det går kontinuerlig, trykker du inn bryteren for variabel hastighet én gang til og slipper den.

Bruke Sightline®-funksjonen (fig. D)

- ◆ Bruk en blyant til å merke skjærelinjen.
- ◆ Plasser stikksagen over linjen (11).

Skjærelinjen skal være lett å følge når man ser rett ned fra oversiden av stikksagen.

Skjæremodus (kun KS701PE)

Pendelbevegelsen gir bladet en mer aggressiv bevegelse, og den er beregnet på skjæring i myke materialer som tre og plast. Den gir raskere skjæring, men et mindre glatt kutt gjennom materialet. Stikksagen har en bryter for pendelbevegelse. Hvordan denne bryteren brukes for klares i neste seksjon.

Merknad: Pendelbevegelse må aldri brukes til å skjære metall.

Bryter for pendelbevegelse (fig. E - kun KS701PE)

KS701PE-modellen har disse fire skjæremodusene med økende grad av pendelbevegelse:

- ◆ Stilling 0: metall, aluminium og metallplater (ingen pendelbevegelse).
- ◆ Stilling 1: for laminater, hardt tre og arbeidsplater.
- ◆ Stilling 2: for finer og PVC/plast.
- ◆ Stilling 3: for mykt tre og rask skjæring

Justere pendelbevegelsen:

- ◆ Drei bryteren for pendelbevegelse (6) til ønsket stilling.

Saging

Hold verktøyet stødig med begge hender når du sager. Fotplaten (4) bør holdes fast mot materialet som sages. Dermed hindrer man at sagen hopper, vibrasjonene reduseres, og brudd på sagblad reduseres til et minimum.

- ◆ La bladet gå fritt i noen få sekunder før du starter sagingen.
- ◆ Bruk bare et lett press på verktøyet når du sager.

Råd for optimal bruk

Sage i laminat

Når du sager laminat, kan det forekomme oppflising som kan skade overflaten som skal synes. De mest vanlige sagbladene skjærer når de beveger seg oppover. Hvis fotplaten hviler mot overflaten som skal synes, bruker du enten et sagblad som skjærer når det beveger seg nedover, eller:

- ◆ Bruk et fintagget sagblad.
- ◆ Sag fra den bakre flaten på arbeidsstykket.
- ◆ For å minimere flising, kan du klemme et stykke kapp eller fiberplate på begge sider av arbeidsstykket og sage gjennom dette.

Sage i metall

Advarsel! Ikke bruk støvsuger når du skjærer metall. Metallspion vil være varme og kan forårsake brann. Vær oppmerksom på at saging i metall tar mye lengre tid enn saging i tre.

- ◆ Bruk et sagblad som egner seg for metallsaging.
- ◆ Når du skjærer tynne metallplater, kan du klemme et stykke kapp mot den bakre flaten på arbeidsstykket og skjære gjennom dette.
- ◆ Smør en film av olje over hele den tiltenkte skjærelinjen.

Kløvebakke (kun KS701E og KS701PE)

Kløving og sirkelskjæring uten blyantstrek er lett med en kløvebakke og sirkelfører (tilgjengelig som ekstratstyr - delenummer X43005-XJ).

Feste kløvebakke (fig. F og G)

- ◆ Sett kløvebakken (14) inn i sporene i fotplaten med tverrstangen vendt nedover som vist i figur F.
- ◆ Sett skruen (15) inn i hullet i bunnen av fotplaten.

- ◆ Sett kløvestangen (16) over skruen med randkanten vendt nedover og pekende bakover på sagen.
- ◆ Bruk en stjerneskrutrekker til å skru skruen inn i det gjengede hullet i stangklemmen som vist i figur G.
- ◆ Juster skjærebredden og stram skruen.

Sirkelsaging (figur H - kun KS701E og KS701PE)

- ◆ Sett kløvebakken inn i sporet på høyre side av fotplaten med tverrstangen vendt oppover.
- ◆ Juster kløvebakken slik at avstanden fra bladet til hullet i tverrstangen er den samme som den ønskede radiusen og stram skruen.
- ◆ Plasser sagen slik at midten av hullet i tverrstangen ligger over midten av sirkelen som skal skjæres (lag et innstikk, bor et hull for bladet eller skjær innover fra kanten av materialet for å få bladet i posisjon).
- ◆ Når sagen står i riktig stilling skal du slå en liten spiker gjennom hullet i tverrstangen nøyaktig i midten av sirkelen som skal skjæres.
- ◆ Bruk kløvebakken som dreiearm og start å sage sirkelen.

Stikkskjæring (figur I)

Stikkskjæring er en enkel metode å bruke for saging inne i et materiale. Sagen kan settes rett inn i et panel eller en planke uten å drille en hull først. Ved stikkskjæring er det bare å måle flaten som skal skjæres og merke den klart med en blyant. Deretter tipper sagen forover inntil forkanten av foten sitter godt på arbeidsflaten og bladet går gjennom arbeidsstykket med hele bevegelsen. Slå på verktøyet og la det oppnå maksimal hastighet. Hold godt fast i sagen og senk bakkanten av verktøyet sakte inntil bladet når full dybde. Hold foten flatt mot treet og start å sage. Bladet må ikke fjernes fra skåret mens det er i bevegelse. Bladet må stå helt stille.

Vedlikehold

BLACK+DECKER-verktøyet ditt er konstruert for å være i drift over lengre tid med et minimum av vedlikehold. Det er avhengig av riktig stell og regelmessig rengjøring for å fungere som det skal til enhver tid.

- ◆ Rengjør ventilasjonsåpningene i verktøyet jevnlig med en myk børste eller tørr klut.
- ◆ Rengjør motorhuset regelmessig med en fuktig klut. Bruk aldri slipende eller løsningsmiddelbasert rengjøringsmiddel. Ikke la det komme væske inn i verktøyet, og senk aldri noen deler av verktøyet ned i væske.

Miljøvern



Separat avfallshåndtering. Produkter og batterier merket med dette symbolet skal ikke kastes i vanlig husholdningsavfall.

Produkter og batterier inneholder materialer som kan gjenbrukes eller gjenvinnes for å redusere behovet for nye råmaterialer.

Vennligst lever elektrisk utstyr og batterier til gjenbruk i henhold til lokale regler. Mer informasjon finner du på www.2helpU.com

Tekniske data

		KS501 (Type 1)	KS701E (Type 2)	KS701PE (Type 2)
Inngangsspenning	V_{AC}	230	230	230
Inn-effekt	W	400	520	520
Hastighet ubelastet	Min^{-1}	3,000	0-3,000	0-3,000
Maks. skjæredybde				
Tre	mm	65	70	70
Stål	mm	5	5	5
Aluminium	mm	10	15	15
Vekt	kg	1.3	1.6	1.7

Lydtrykknivå i henhold til EN 62841:

Lydtrykk (L_{pA}) 89 dB(A), usikkerhet (K) 5 dB(A)

Lydeffekt (L_{WA}) 100 dB(A), usikkerhet (K) 5 dB(A)

Totale vibrasjonsverdier (vektorsum fra tre retninger) bestemt i samsvar med EN 62841:

Saging av sponplater ($a_{h,b}$) 12,5 m/s², usikkerhet (K) 1,5 m/s²

Saging av metalplater ($a_{h,w}$) 12,6 m/s², usikkerhet (K) 1,5 m/s²

EU-samsvarserklæring MASKINDIREKTIVET



KS501, KS701E, KS701PE - Stikksagen

Black & Decker erklærer at disse produktene, som er beskrevet under "Tekniske data", er i samsvar med: EN62841-1:2015, EN62841-2-11:2016

Disse produktene er også i samsvar med direktiv 2006/42/EC, 2014/30/EU og 2011/65/EU.

Hvis du ønsker mer informasjon, kan du kontakte Black & Decker på adressen nedenfor eller se baksiden av bruksanvisningen.

Undertegnede er ansvarlig for utarbeidelsen av den tekniske dokumentasjonen og gir denne erklæringen på vegne av Black & Decker Europe.



A. Smith
Technical Director
Black & Decker Europe, 210 Bath Road, Slough,
Berkshire, SL1 3YD
Storbritannia
22/01/2019

Tilsigtet bruk

Din KS501, KS701E, KS701PE BLACK+DECKER-stiksav er designet til at save i trær, plastic og metalplader. Værktøjet er kun beregnet til privat bruk.

Sikkerhedsinstruksjoner

Generelle sikkerhedsadvarsler vedrørende elværktøj



Advarsel! Læs alle sikkerhedsadvarsler, instruksjoner, illustrationer og spesifikasjoner, der følger med elværktøjet.

Hvis efterfølgende advarsler og instruksjoner ikke følges, er der risiko for elektrisk stød, brand og alvorlige kvæstelser.

Gem alle advarsler og instruksjoner til fremtidig reference.

Begrebet "elværktøj", der benyttes i nedenstående advarsler, henviser til netdrevet elværktøj (med netledning) eller batteridrevet elværktøj (uden netledning).

1. Sikkerhed i arbeidsområdet

- Hold arbeidsområdet rent og ordentligt opplyst.** Rodede eller mørke områder giver anledning til ulykker.
- Brug ikke elværktøj i eksplosive omgivelser, f.eks. hvor der er brændbare væsker, gasser eller støv.** Elværktøj danner gnister, der kan antænde støv eller dampe.
- Hold børn og andre personer i nærheten på afstand, når der arbejdes med elværktøj.** Distraksjoner kan medføre, at du mister kontrollen.

2. Elektricitet og sikkerhed

- Elværktøjets stik skal passe til kontakten. Stikket må aldrig modificeres på nogen måde. Undlad at bruge adapterstik sammen med (jordforbundet) elektrisk værktøj.** Umodificerede stik og dertil passende stikkontakter reduserer risikoen for elektrisk stød.
- Undgå kroppskontakt med jordforbundne overflader som f.eks. rør, radiatorer, komfurer og køleskabe.** Der er øget risiko for elektrisk stød, hvis din krop er jordforbundet.
- Udsæt ikke elværktøj for regn, og brug det ikke, hvor omgivelserne er våde.** Hvis der trænger vand ind i et elektrisk værktøj, øges risikoen for elektrisk stød.
- Pas på, at ledningen ikke beskadiges. Brug aldrig ledningen til at bære, trække værktøjet eller trække det ud af stikkontakten. Hold ledningen borte fra varme, olie, skarpe kanter og bevægelige dele.** Beskadigede eller sammenfiltrede ledninger øger risikoen for elektrisk stød.
- Hvis elværktøj benyttes i det fri, skal der benyttes en forlængerledning, som er godkendt til udendørs brug.**

Garanti

Black & Decker er trygg på kvaliteten av produktene sine og tilbyr en 24 måneders garanti fra kjøpsdato. Denne garantierklæringen kommer i tillegg til dine lovbestemte rettigheter og er ikke i konflikt med disse. Garantien er gyldig innen områdene tilhørende medlemslandene i den Europeiske Union (EU) og det Europeiske Frihandelsområdet (EFTA).

For å ta garantien i bruk må kravet være i samsvar med kjøpsbetingelsene fra Black&Decker og du må vise kjøpskvittering til forhandleren eller til et autorisert serviceverksted. Betingelsene for Black & Deckers 2 års garanti og adressen til din nærmeste autoriserte serviceverksted kan du finne på internett under www.2helpU.com, eller ved å kontakte ditt lokale Black & Decker kontor, adressen er angitt i denne bruksanvisningen.

Besøk våre nettsider på www.blackanddecker.no for å registrere ditt nye Black & Decker-produkt og for å få informasjon om nye produkter og spesialtilbud.

- Brug af en ledning, der er egnet til udendørs brug, reducerer risikoen for elektrisk stød.
- f. **Brug en strømkilde med fejlstrømsrelæ, hvis det er nødvendigt at anvende elværktøj på fugtige steder.** Ved at benytte en fejlstrømsafbryder reduceres risikoen for elektrisk stød.
3. **Personsikkerhed**
- a. **Vær opmærksom, hold øje med, hvad du laver og brug elværktøjet fornuftigt. Betjen ikke værktøjet, hvis du er træt, påvirket af narkotika, alkohol eller medicin.** Et øjeblik uopmærksomhed under anvendelse af et elektrisk værktøj kan forårsage alvorlige kvæstelser.
- b. **Brug personligt beskyttelsesudstyr. Bær altid beskyttelsesbriller.** Det er muligt at reducere risikoen for kvæstelser ved alt efter omstændighederne at anvende det passende sikkerhedsudstyr såsom støvmaske, skridsikre sikkerhedssko, sikkerhedshjelm eller høreværn.
- c. **Træf forholdsregler, så utilsigtet start ikke er mulig. Kontrollér, at afbryderkontakten står på slukket, inden værktøjet tilsluttes strømkilden og/eller batteriet, samles op eller bæres.** Når elektrisk værktøj bæres med fingeren på kontakten eller tilsluttes, når kontakten er tændt, giver det anledning til ulykker.
- d. **Fjern indstillingsnøgle eller skruenøgle, inden elværktøjet startes.** En skruenøgle eller anden nøgle, der bliver siddende på en roterende del af elektrisk værktøj, kan forårsage kvæstelser.
- e. **Stræk dig ikke for langt. Hold hele tiden en god fodstilling og balance.** Dette udgør at du har bedre kontrol over det elektriske værktøj, når uventede situationer opstår.
- f. **Brug egnet arbejdstøj. Bær ikke løst tøj eller smykker. Hold dit hår, tøj og handsker væk fra bevægelige dele.** Løstsiddende tøj, smykker eller langt hår kan blive fanget i bevægelige dele.
- g. **Hvis der kan monteres støvudsugnings- og opsamlingsudstyr, skal dette tilsluttes og benyttes korrekt.** Anvendelse af støvsugningsudstyr kan begrænse farer forårsaget af støv.
- h. **Lad ikke kendskab fra hyppig brug af værktøjer gøre dig uforsigtig og få dig til at ignorere principperne for værktøjsikkerhed.** En uforsigtig handling kan forårsage alvorlig personskade på en brøkdæl af et sekund.
4. **Brug og vedligeholdelse af elværktøj**
- a. **Overbelast ikke elværktøjet. Brug det elværktøj, der er bedst egnet til det arbejde, der skal udføres.** Det korrekte elværktøj klarer opgaven bedre og mere sikkert med den effekt, som det er konstrueret til.
- b. **Brug ikke elværktøjet, hvis afbryderkontakten er defekt.** Alt elektrisk værktøj, der ikke kan kontrolleres med kontakten, er farligt og skal repareres.
- c. **Træk stikket ud af stikkontakten og/eller batteriet inden indstilling, tilbehørsudskiftning eller opbevaring af elværktøjet.** Sådanne forebyggende sikkerhedsforanstaltninger mindsker risikoen for, at værktøjet startes utilsigtet.
- d. **Opbevar ubenyttet elværktøj uden for børns rækkevidde. Lad aldrig personer, der ikke er fortrolige med elværktøjet, eller som ikke har læst denne vejledning, benytte maskinen.** El-værktøj er farligt i hænderne på personer, som ikke er instrueret i brugen deraf.
- e. **Elværktøj og tilbehør skal vedligeholdes. Kontroller, om bevægelige dele er skæve og ikke sidder fast, og om delene er brækket eller beskadiget, så elværktøjets funktion påvirkes. Hvis det elektriske værktøj er beskadiget, skal det repareres før brug.** Mange ulykker er forårsaget af dårligt vedligeholdt værktøj.
- f. **Hold skæreværktøj skarpt og rent.** Ordentligt vedligeholdt skæreværktøj med skarpe skærekanter har mindre tilbøjelighed til at binde og er lettere at styre.
- g. **Brug elværktøjet, tilbehøret, værktøjsindsatser osv. i overensstemmelse med disse instruktioner under hensyntagen til arbejdsforholdene og arbejdet, der skal udføres med værktøjet.** Brug af elektrisk værktøj til andre opgaver end dem, det er beregnet til, kan resultere i en farlig situation.
- h. **Hold håndtagene og håndtagsfladerne tørre, rene og fri for olie og fedt.** Glatte håndtag og fedtede håndtagsflader giver ikke en sikker håndtering og kontrol af værktøjet i uventede situationer.
5. **Service**
- a. **Lad kun fagkyndige personer reparere elværktøjet og benyt kun originale reservedele.** Derved sikres det, at værktøjets driftssikkerhed opretholdes.

Yderligere sikkerhedsadvarsler for elværktøj



Advarsel! Sikkerhedsinstruktioner gældende for alle save

- ◆ **Hold i elværktøjets isolerede grebflader, hvis der er risiko for, at skæretilbehøret kommer i kontakt med skjulte ledninger.** Hvis skæretilbehøret rammer en strømførende ledning, bliver elværktøjets blottagte dele strømførende, så brugeren får stød.
- ◆ **Brug skruetvinger eller lignende til at holde og støtte materialet på et stabilt underlag.** Det er ikke nok at holde materialet ind mod kroppen. Det bliver ustabil, og du kan miste kontrollen.
- ◆ **Hold hænderne på afstand af skæreområdet.** Ræk aldrig ind under materialet uanset årsag. Anbring ikke

fingerne i nærheden af den frem- og tilbagegående kling og klingeholderen. Stabiliser ikke saven ved at gribe omkring skoen.

- ◆ **Hold klingerne skarpe.** Døve eller beskadigede klinger kan få saven til at slingre eller standse under pres. Brug altid den rigtige type savklinger til materialet og formålet.
- ◆ **Når der saves i rør og rørledninger, er det vigtigt, at de er fri for vand, elektriske ledninger osv.**
- ◆ **Rør ikke ved materialet eller klingens umiddelbart efter, at værktøjet har været i brug.** De kan være meget varme.
- ◆ **Vær opmærksom på skjulte farer, inden der saves i vægge, gulve eller lofter. Kontroller, om der findes ledninger og rør.**
- ◆ **Klingen fortsætter med at bevæge sig, efter at kontakten er sluppet.** Sluk altid værktøjet, og vent, indtil savklingens bevægelse er helt ophørt, inden du lægger værktøjet fra dig.

Advarsel! Berøring af eller indånding af støvpartikler fra skærearbejde kan udgøre en fare for både brugerens og eventuelle tilskuers heldbred. Bær en støvmaske, der er specielt beregnet til beskyttelse mod støv og røg, og sørg for, at personer på eller på vej ind i arbejdsområdet også er beskyttet.

- ◆ Apparats tilsigtede brug fremgår af denne vejledning. Brugen af ekstraudstyr eller tilbehør eller udførelse af opgaver med værktøjet ud over de i brugervejledningen anbefalede kan medføre risiko for personskade og/eller materiel skade.

Andres sikkerhed

- ◆ Dette værktøj kan bruges af børn i en alder fra 8 år og derover og personer med nedsatte fysiske, sensoriske eller mentale evner eller manglende erfaring og viden, hvis det sker under overvågning, eller de vejledes i brugen af apparatet på en sikker måde, og de forstår de farer, som er forbundet dermed.
- ◆ Børn må ikke lege med apparatet. Rengøring og brugervedligeholdelse må ikke foretages af børn uden opsyn.

Restrisici

Der kan opstå yderligere restrisici under brugen af værktøjet, som ikke kan medtages i vedlagte sikkerhedsadvarsler. Disse risici kan opstå pga. forkert anvendelse, langvarig brug etc. Selv ved overholdelse af relevante sikkerhedsforskrifter og anvendelse af sikkerhedsudstyr kan visse restrisici ikke undgås. Disse omfatter:

- ◆ Tilskadekomst forårsaget af berøring af roterende/ bevægelige dele.
- ◆ Tilskadekomst forårsaget af udskiftning af dele, blade eller tilbehør.

- ◆ Tilskadekomst forårsaget af langvarig brug af et værktøj. Husk at holde pause jævnligt ved brug af et værktøj i længere tid.
- ◆ Høreskader.
- ◆ Sundhedsrisici forårsaget af indånding af støv, der genereres ved brug af værktøjet (eksempel: Arbejde med træ, især eg, bøg og MDF).

Vibration

De angivne værdier for udsendelse af vibration anført under de tekniske data og overensstemmelseserklæringen er målt i henhold til standardtestmetoden i EN 62841 og kan bruges til at sammenligne ét værktøj med et andet. Den angivne værdi for udsendelse af vibration kan også bruges som en foreløbig vurdering af eksponeringen.

Advarsel! Værdien for udsendelse af vibration ved faktisk brug af elværktøjet kan afvige fra den angivne værdi afhængig af måden, værktøjet anvendes på. Vibrationsniveauet kan overstige det angivne niveau.

I vurderingen af eksponeringen for vibration med henblik på fastsættelse af sikkerhedsforanstaltninger som krævet i 2002/44/EF til beskyttelse af personer, der jævnligt anvender elværktøj i deres arbejde, skal der tages hensyn til de faktiske betingelser under brugen, og måden værktøjet bruges på, herunder alle arbejdsrytters elementer, f.eks. perioder, hvor værktøjet er slukket og kører i tomgang tillige med startperioderne.

Mærkatet på værktøjet

Værktøjet er forsynet med følgende advarselssymboler samt datokoden:



Advarsel! Brugeren skal læse brugervejledningen for at reducere risikoen for tilskadekomst.

Elektricitet og sikkerhed



Denne maskine er dobbelt isoleret. Derfor er jordledning ikke nødvendig. Kontroller altid, at strømforsyningsspændingen svarer til spændingen på typeskiltet.

- ◆ Hvis netledningen beskadiges, skal den udskiftes af producenten eller et autoriseret BLACK+DECKER-værksted, så farlige situationer undgås

Komponenter

Dette værktøj leveres med nogle af eller alle de følgende komponenter.

1. Kontakt til variabel hastighed (KS701E, KS701PE) eller tænd/ sluk-kontakt (KS501)

2. Spærreknop
3. Låsegreb til savklinge
4. Sål
5. Støvudsugningsudgang (kun KS701E og KS701PE)
6. Drejeskive til pendulbevægelse (kun KS701PE)

Samling

Advarsel! Sørg for at værktøjet er afbrudt, stikket taget ud og at savklingen er standset inden nogle af de følgende funktioner foretages. Brugte savklinger kan være varme.

Påsætning af savklinge (fig. A - KS701E og KS701PE)

- ◆ Hold på savklingen (7) som vist, så tænderne vender fremad.
- ◆ Skub låsegrebet (3) væk fra sålen (4).
- ◆ Sæt savklingens skaft ind i holderen (8), så langt det kan gå ind.
- ◆ Slip låsegrebet (3).

Påsætning af savklinge (fig. A - KS501)

- ◆ Inden savklingen (7) monteres eller afmonteres, skal støtterullen (17) anbringes i bageste position, så den ikke berører klingens.
- ◆ Løsn (men fjern ikke) de to skruer (18).
- ◆ Hold savklingen (7), så tænderne vender fremad.
- ◆ Sæt savklingens skaft (7) så langt ind i holderen (8) som muligt.
- ◆ Stram de to skruer (18) let, anbring klingens, og stram derefter de to skruer helt (18).
- ◆ Juster savklingens støtterulle (17) som beskrevet ovenfor.
- ◆ Drej begge skruer (18) én gang mod uret for at fjerne savklingen (7).

Tilslutning af en støvsuger til værktøjet (fig. B - kun KS701E og KS701PE)

- ◆ Sæt støvsugerdysen (9) ind i støvudsugningsudgangen(5).

Anvendelse

Justering af sålen ved skrånsnit (fig. C)

Advarsel! Brug aldrig værktøjet, hvis sålen er løs eller afmonteret.

Sålen (4) kan indstilles til venstre eller højre skrånsnit på 45°.

- ◆ Løsn skruerne (10). Nogle modeller har kun en skrue.
- ◆ Træk skoen (4) fremad, drej den mod venstre eller højre, og skub den tilbage i positionen 45°. (kun KS701E og KS701PE).
- ◆ Skub skoen (4) tilbage, drej den mod højre, og træk den tilbage i positionen 45°. (kun KS501).
- ◆ Tilspænd skruerne.

Sådan nulstilles sålen (4) til 90° snit:

- ◆ Løsn skruen (10).
- ◆ Træk sålen (4) fremad, drej den til midten, og skub den tilbage i positionen 0°.
- ◆ Tilspænd skruen.

Knap til indstilling af trinløs hastighed (kun KS701E og KS701PE)

- ◆ Brug en høj hastighed til træ, en middel hastighed til aluminium og PVC og en lav hastighed til metaller udover aluminium.

Tænd og sluk

- ◆ Tryk på kontakten til variabel hastighed (KS701E og KS701PE) eller tænd/sluk-knappen (KS501) (1) for at tænde apparatet. På KS701E- og KS701PE-enhederne afhænger hastigheden af, hvor langt ned du trykker kontakten.
- ◆ Tryk på spærreknappen (2), og tryk på kontakten til variabel hastighed for at opnå konstant funktion. Denne indstilling er kun mulig ved fuld hastighed.
- ◆ Udløs kontakten til variabel hastighed for at stoppe værktøjet. Sluk for værktøjet efter arbejde i konstant drift ved at trykke på knappen til variabel hastighed igen for at udløse den.

Sådan bruges Sightline®-funktionen (fig. D)

- ◆ Brug en blyant til at afmærke skærelinjen.
- ◆ Placér stiksaven over linjen (11).

Ved at se ovenfra og ned på stiksaven er det nemt at følge skærelinjen.

Skæreindstilling (kun KS701PE)

En pendulbevægelse giver en mere aggressiv klingebevægelse og er beregnet til savning i bløde materialer såsom træ eller plast. Den giver et hurtigere, men mindre blødt snit gennem materialet. Din stiksav har en drejekontakt til pendulbevægelse. Brugen af denne drejekontakt er forklaret i næste afsnit.

Bemærk! Brug aldrig pendulbevægelse til savning i metal.

Drejeskive til pendulbevægelse (fig. E - kun KS701PE)

KS701PE har disse fire skæreindstillinger med stadig større pendulbevægelse:

- ◆ Position 0: Til metal og aluminium samt metalplader (ingen pendulbevægelse).
- ◆ Position 1: Til laminater, hårdt træ og bordplader.
- ◆ Position 2: Til krydsfiner og PVC/plast.
- ◆ Position 3: Til blødt træ og hurtig savning

Sådan indstilles pendulbevægelsen:

- ◆ Drej drejeskiven til valg af pendulbevægelse (6) til den ønskede position.

Savning

Hold godt fast i værktøjet med begge hænder, mens du saver. Sålen (4) skal holdes fast mod materialet, der saves i.

Det medvirker til at forhindre, at saven hopper, reducerer vibrationer og minimerer risikoen for, at klingens knækker.

- ◆ Lad klingens løbe frit et par sekunder, inden du begynder at save.
- ◆ Tryk kun let med værktøjet, mens du skærer.

Gode råd til optimal brug

Skæring i laminater

Der kan opstå splinter, når der skæres i laminat, hvilket kan beskadige forsiden. De fleste savklinger skærer i det opadgående strøg, så hvis sålen er placeret på oversiden, skal der enten bruges en savklinge, der skærer i det nedadgående strøg, eller:

- ◆ Brug en savklinge med fine tænder.
- ◆ Skær fra bagsiden af arbejdsmaterialet.
- ◆ Klem et stykke spildtræ eller hardboard på begge sider af materialet og sav gennem denne sandwich for at minimere splintringen.

Skæring i metal

Advarsel! Brug ikke støvsuger, når der saves i metal. Metalspåner kan være varme og forårsage brand.

Vær opmærksom på, at skæring i metal tager meget længere tid end skæring i træ.

- ◆ Brug en savklinge, der egner sig til skæring i metal.
- ◆ Klem et stykke spildtræ til bagsiden af arbejdsmaterialet og sav gennem denne sandwich, når der skæres i tynde metalplader.
- ◆ Læg en oliefilm langs den påtænkte skærelinje.

Styreskinne (kun KS701E og KS701PE)

Savning på langs og cirkelskæring uden en blyantslinje klares nemt ved hjælp af en styreskinne (fås som ekstraudstyr - del nummer X43005-XJ).

Påsætning af styreskinne (fig. F og G)

- ◆ Sæt styreskinnen (14) ind i åbningerne i sålen med tværstangen nedad som vist i figur F.
- ◆ Sæt skruen (15) i hullet i bunden af sålen.
- ◆ Ret holdestangen (16) ind over skruen med den udragende kant nedad og pegende mod det bagerste af saven.
- ◆ Skru skruen ind i gevindhullet i beslaget med en krydskærvsskruetrækker som vist i figur G.
- ◆ Indstil snittets bredde, og tilspænd skruen.

Cirkelskæring (fig. H - kun KS701E og KS701PE)

- ◆ Sæt styreskinnen ind i åbningen i højre side af sålen med tværstangen opad.
- ◆ Indstil styreskinnen, så afstanden fra klingens hullet i tværstangen udgør den ønskede radius, og tilspænd skruen.
- ◆ Anbring saven, så midterhullet i tværstangen befinder sig over centrum i den cirkel, der skal skæres (lav et indstik, bor et hul til klingens eller skæres indad fra kanten af materialet for at få klingens på plads).
- ◆ Når saven er placeret rigtigt, sættes et lille søm ind igennem hullet i tværstangen og nøjagtigt i centrum af den cirkel, der skal skæres.
- ◆ Brug styreskinnen som en vippear, og begynd at skære cirklen.

Indsnit (fig. I)

Et indsnit er en nem måde at lave et indvendigt snit. Saven kan anvendes direkte i en plade eller en liste uden først at bore et styrehul eller en forboring. Ved indsnit måles den flade, der skal skæres, og målene markeres tydeligt med en blyant. Vip derefter saven fremad, indtil forenden af savskoens sidder fast på arbejdsfladen, og klingens skærer gennem materialet med fuldt slag. Start værktøjet, og lad det komme op på maksimal hastighed. Hold godt fast i saven, og sænk langsom bagkanten af værktøjet ned, indtil klingens når sin fulde dybde. Hold skoen fladt ned mod træet, og begynd at save. Fjern ikke klingens fra snittet, mens den stadig er i bevægelse. Klingens skal standse helt.

Vedligeholdelse

Dit BLACK+DECKER-værktøj er beregnet til brug gennem lang tid med et minimum af vedligeholdelse. Forsat tilfredsstillende drift afhænger af korrekt behandling af værktøjet samt regelmæssig rengøring.

- ◆ Rengør regelmæssigt værktøjets ventilationshuller med en blød børste eller en tør klud.
 - ◆ Rengør motorhuset regelmæssigt med en fugtig klud. Undlad at bruge rengøringsmidler med slibemiddel eller opløsningsmidler.
- Sørg for at der ikke trænger væske ind i værktøjet. Ingen del af værktøjet må nedsænkes i væske.

Miljøbeskyttelse



Særskilt bortskaffelse. Produkter og batterier mærket med dette symbol må ikke bortskaffes sammen med normalt husholdningsaffald.

Produkter og batterier indeholder materialer, der kan genvindes eller genbruges og således reducere efterspørgslen efter råvarer. Genbrug venligst elektriske produkter og batterier i henhold til lokale bestemmelser. Yderligere oplysninger findes på www.2helpU.com

Tekniske data

		KS501 (Type 1)	KS701E (Type 2)	KS701PE (Type 2)
Indgangsspænding	V_{AC}	230	230	230
Motoreffekt	W	400	520	520
Hastighed uden belastning	Min ⁻¹	3,000	0-3,000	0-3,000
Maks. skæredybde				
Træ	mm	65	70	70
Stål	mm	5	5	5
Aluminium	mm	10	15	15
Vægt	kg	1.3	1.6	1.7

Lydtrykniveau i henhold til EN 62841:	
Lydtryk (L_{pA})	89 dB(A), usikkerhed (K) 5 dB(A)
Lydeffekt (L_{WA})	100 dB(A), usikkerhed (K) 5 dB(A)

Samlede værdier for vibration (triaksial vektorsum) i henhold til EN 62841:	
Savning i spånplader ($a_{h,b}$)	12,5 m/s ² , usikkerhed (K) 1,5 m/s ²
Savning i metalplader ($a_{h,w}$)	12,6 m/s ² , usikkerhed (K) 1,5 m/s ²

EU-overensstemmelseserklæring MASKINDIREKTIV



KS501, KS701E, KS701PE - stiksav

Black & Decker erklærer, at produkterne beskrevet under "Tekniske data" er i overensstemmelse med:

EN62841-1:2015, EN62841-2-11:2016

Disse produkter er endvidere i overensstemmelse med direktiv 2006/42/EC, 2014/30/EU og 2011/65/EU.

Kontakt Black & Decker på nedenstående adresse eller se vejledningens bagside for at få flere oplysninger.

Undertegnede er ansvarlig for udarbejdelsen af de tekniske data og fremsætter denne erklæring på vegne af Black & Decker Europe.

A. Smith
Technical Director
Black & Decker Europe, 210 Bath Road, Slough,
Berkshire, SL1 3YD
Storbritannien
22/01/2019

Garanti

Black & Decker er sikker på kvaliteten af sine produkter og tilbyder forbrugerne en garanti på 24 måneder fra købsdatoen. Garantien er et tillæg til forbrugers lovæssige rettigheder og påvirker ikke disse. Garantien er gyldig inden for medlemsstaterne af Den Europæiske Union og Det Europæiske Frihandelsområde.

Når du gør krav på garantien, skal kravet være i overensstemmelse med Black & Decker vilkår og betingelser, og du skal indsende dokumentation for købet til sælgeren eller til en autoriseret reparatør. Vilkår og betingelser for Black & Decker 2 års garanti og placeringen af dit nærmeste autoriserede serviceværksted kan fås på internettet på www.2helpU.com, eller ved at kontakte dit lokale Black & Decker kontor på den adresse, der er angivet i denne vejledning.

Besøg venligst vores websted www.blackanddecker.co.uk for at registrere dit nye Black & Decker produkt og modtage opdateringer om nye produkter og specielle tilbud.

Käyttötarkoitus

Tämä BLACK+DECKER KS501, KS701E, KS701PE -pistosaha on suunniteltu puun, muovin ja metallin sahaamiseen. Kone on tarkoitettu kotikäyttöön.

Turvallisuusohjeet

Sähkötyökalujen yleiset turvavaroitukset



Varoitus! Lue kaikki sähkötyökalun mukana toimitetut varoitukset, käyttöohjeet ja tekniset tiedot. Alla olevien varoitusten ja ohjeiden noudattamisen laiminlyönti saattaa johtaa sähköiskuun, tulipaloon ja/tai vakavaan loukkaantumiseen.

Säästä kaikki varoitukset ja ohjeet tulevaa käyttöä varten. Ohjeissa käytetty käsite "sähkötyökalu" tarkoittaa verkkokäyttöisiä sähkötyökaluja (verkkojohdolla varustettuja) ja akkukäyttöisiä sähkötyökaluja (ilman verkkojohdtoa).

1. Työalueen turvallisuus

- Pidä työalue puhtaana ja hyvin valaistuna.** Onnettomuuksia sattuu herkemmin epäsiistissä tai huonosti valaistussa ympäristössä.
- Älä käytä sähkötyökalua räjähdysalttiissa ympäristössä, jossa on syttyvää nestettä, kaasua tai pölyä.** Sähkötyökalujen aiheuttamat kipinät voivat sytyttää pölyn tai kaasut.
- Pidä lapset ja sivulliset loitolla sähkötyökalua käyttäessäsi.** Keskeyttämiskyvyn herpaantuminen voi aiheuttaa hallinnan menettämisen.

2. Sähköturvallisuus

- Sähkötyökalun pistokkeen on sovittava pistorasiaan. Älä koskaan tee pistokkeeseen mitään muutoksia. Älä yhdistä maadoitettua sähkötyökalua jatkojohtoon.** Sähköiskun vaara vähenee, jos pistokkeisiin ei tehdä muutoksia ja ne yhdistetään vain niille tarkoitettuihin pistorasioihin.
- Vältä koskettamasta maadoitettuja pintoja, kuten putkia, lämpöpattereita, liesiä tai jääkaappeja.** Voit saada sähköiskun, jos kehosi on maadoitettu.
- Älä altista sähkötyökalua sateelle tai kosteudelle.** Sähkötyökaluun menevä vesi lisää sähköiskun vaaraa.
- Älä käsittele virtajohtoa kovakouraisesti. Älä kannata työkaluja sähköjohdosta tai vedä pistoketta pistorasiasta sähköjohdon avulla. Pidä sähköjohto kaukana kuumuudesta, öljystä, terävistä reunoista tai liikkuvista osista.** Vaurioituneet tai sokeutuneet johdot lisäävät sähköiskun vaaraa.
- Käyttäessäsi sähkötyökalua ulkona käytä ainoastaan ulkokäyttöön soveltuvaa jatkojohtoa.** Ulkokäyttöön

tarkoitettua sähköjohdon käyttäminen vähentää sähköiskun vaaraa.

- Jos sähkötyökalua on välttämättä käytettävä kosteassa paikassa, käytä vikavirtasuojalla (RCD) suojattua virtalähdettä.** Tämä vähentää sähköiskun vaaraa.
- Henkilöturvallisuus**
 - Ole valpas, keskity työhön ja noudata tervettä järkeä sähkötyökalun käytössä. Älä käytä tätä työkalua ollessasi väsynyt tai alkoholin, huumeiden tai lääkkeiden vaikutuksen alaisena.** Keskeyttämisen herpaantuminen hetkeksikin sähkötyökalua käytettäessä voi aiheuttaa vakavan henkilövahingon.
 - Käytä henkilökohtaisia suojavarusteita. Käytä aina suojalaseja.** Hengityssuojaimen, liukumattomien turvajalkineiden, kypärän ja kuulonsuojaimen käyttäminen vähentää henkilövahinkojen vaaraa.
 - Vältä tahatonta käynnistämistä. Varmista, että kytkin on OFF-asennossa, ennen kuin liität laitteen virtalähteeseen ja/tai akkuun, nostat laitteen tai kannat sitä.** Sähkötyökalun kantaminen somi virtakytkimellä lisää onnettomuusvaaraa.
 - Irrota mahdollinen säätö- tai kiintoavain ennen kuin käynnistät sähkötyökalun.** Sähkötyökalun pyöriivään osaan kiinni jäänyt avain voi johtaa loukkaantumiseen.
 - Älä kurkotta.** Huolehdi siitä, että sinulla on koko ajan tukeva jalansija ja hyvä tasapaino. Näin voit hallita sähkötyökalua paremmin odottamattomissa tilanteissa.
 - Käytä tarkoitukseen soveltuvia vaatteita. Älä käytä löysiä vaatteita tai koruja. Pidä hiukset, vaatteet ja kädet loitolla liikkuvista osista.** Löysät vaatteet, korut tai pitkät hiukset voivat tarttua liikkuviin osiin.
 - Jos työkalun voi liittää pölynimuriin, tarkista, että liitos on tehty asianmukaisesti ja että laitteita käytetään oikealla tavalla.** Pölyn ottaminen talteen voi vähentää pölyn aiheuttamia vaaroja.
 - Vaikka käyttäisit usein työkaluja ja sinulla olisi niistä hyvä tuntemus, älä jätä lukematta työkalun turvallisuusohjeita.** Huolimattomuus voi johtaa vakaviin henkilövahinkoihin jopa sekunnin murto-osassa.
 - Sähkötyökalujen käyttö ja hoito**
 - Älä ylikuormita sähkötyökalua. Valitse käyttötarkoituksen kannalta oikea sähkötyökalu.** Sähkötyökalu toimii paremmin ja turvallisemmin, kun sitä käytetään sille suunniteltuun käyttötarkoitukseen.
 - Älä käytä sähkötyökalua, jota ei voida käynnistää ja pysäyttää virtakytkimestä.** Jos sähkötyökalua ei voi hallita kytkimen avulla, se on vaarallinen ja se on korjattava.
 - Irrota pistotulppa pistorasiasta ja/tai akku laitteesta ennen kuin suoritat säätöjä, vaihdat tarvikkeita tai**

- siirrä sähkötyökalun varastoitavaksi. Näin voit vähentää vahingossa käynnistymisen aiheuttaman henkilövahingon vaaraa.
- d. Säilytä sähkötyökalut poissa lasten ulottuvilta, kun niitä ei käytetä. Älä anna sähkötyökalua sellaisen henkilön käyttöön, joka ei tunne sitä tai joka ei ole tutustunut tähän käyttöohjeeseen. Sähkötyökalut ovat vaarallisia kouluttamattomien käyttäjien käsissä.
- e. Hoida sähkötyökaluasi ja lisävarusteita huolella. Tarkista, että liikkuvat osat toimivat moitteettomasti ja etteivät ne ole puristuksessa. Tarkista myös, ettei työkalussa ei ole murtuneita tai vahingoittuneita osia, jotka saattaisivat vaikuttaa haitallisesti sen toimintaan. Jos havaitset vaurioita, korjauta sähkötyökalu ennen niiden käyttämistä. Huonosti kunnossapidetyt sähkötyökalut aiheuttavat onnettomuuksia.
- f. Pidä leikkausterät terävinä ja puhtaina. Kunnossa pidettyjen leikkaavia teräviä reunoja sisältävien työkalut todennäköisyys jumiutua vähenee, ja niitä on helpompi hallita.
- g. Käytä sähkötyökaluja, tarvikkeita, vaihtoteriä yms. näiden ohjeiden mukaisesti. Ota tällöin huomioon työolosuhteet ja suoritettava toimenpide. Jos sähkötyökalua käytetään näiden ohjeiden vastaisesti, voi syntyä vaaratilanne.
- h. Pidä kahvat ja kädensijat kuivina ja puhtaina öljystä ja rasvasta. Liukkaat kahvat ja rasvaiset kädensijat estävät työkalun turvallisen käsittelyn ja hallinnan odottamattomissa tilanteissa.
5. Huolto
- a. Korjauta sähkötyökalu koulutetulla ja ammattitaitoisella henkilöllä ja hyväksy korjauksiin vain alkuperäisiä varaosia. Tämä varmistaa sähkötyökalun turvallisuuden.

Sähkötyökalujen lisäturvavaroitukset



Varoitus! Turvaohjeet kaikille sahoille

- ◆ Pitele sähkötyökalua eristetyistä tartuntapinnoista, kun teet työtä, jossa työkalu voi joutua kosketuksiin piilossa olevien sähköjohtojen kanssa. Työkalun kosketus jännitteisen johtimen kanssa voi tehdä myös työkalun paljaista metalliosista jännitteisiä ja aiheuttaa sähköiskun käyttäjälle.
- ◆ Kiinnitä työstettävä kappale esimerkiksi ruuvipuristimella tukevaan alustaan. Kappaleen kannatteleminen käsin tai sen tukeminen omaa vartaloa vasten voi johtaa kappaleen irtaamiseen ja vaaratilanteeseen.

- ◆ Pidä kätesi pois leikkausalueelta. Älä koskaan työnnä kättäsi työstökohteeseen alapuolelle. Älä työnnä sormia liikkuvan terän tai sen kiinnikkeen läheisyyteen. Älä tue sahaa pitämällä kiinni sahausjalasta.
- ◆ Pidät terät terävinä. Tylsät tai vahingoittuneet terät voivat leikata vinoon tai jäädä kiinni. Käytä työstettävään materiaaliin soveltuvaa sahanterää, jolla saat haluamasi sahausjälen.
- ◆ Jos sahaat putkea tai kotelointia, tarkista ensin, ettei sen sisällä ole vettä, sähköjohtoa, tms.
- ◆ Älä kosketa terää tai sahattua leikkauspintaa heti sahausksen jälkeen. Ne voivat olla hyvin kuumia.
- ◆ Varo piilossa olevia vaaroja. Tarkista sähköjohtojen ja putkien sijainti, ennen kuin sahaat seinää, lattiaa tai kattoa.
- ◆ Terän liike jatkuu vielä hetken käyttökytkimen vapauttamisen jälkeen. Katkaise virta ja odota, että terän liike on kokonaan pysähtynyt, ennen kuin lasket työkalun käsistäsi.

Varoitus! Leikatessa syntyvän pölyn kanssa kosketuksiin joutuminen tai sen hengittäminen saattaa olla haitallista käyttäjän tai lähellä olijoiden terveydelle. Käytä kasvosuojusta, joka on erityisesti tarkoitettu suojaamaan pölyltä ja höyryiltä, ja varmista, että kaikki työskentelyalueella olevat ja sinne tulevat henkilöt käyttävät suojavarusteita.

- ◆ Työkalun käyttötarkoitus on kuvattu tässä käyttöohjeessa. Käytä työkalua ainoastaan sellaiseen työhön, johon se on tarkoitettu, ja käytä vain käyttöohjeessa ja tuotekuvastossa suositeltuja tarvikkeita ja lisälaitteita. Ohjeesta poikkeava käyttö voi aiheuttaa henkilö- ja/tai omaisuusvahinkoja.

Muiden turvallisuus

- ◆ Tämä työkalu soveltuu yli 8-vuotiaiden lasten sellaisten henkilöiden käyttöön, joilla on fyysisiä tai älyllisiä rajoitteita tai aistirajoitteita, kuten myös laitteen toimintaan perehtymättömien henkilöiden käyttöön, jos heitä valvotaan tai jos he ovat saaneet laitteen turvalliseen käyttöön liittyvää opastusta ja ymmärtävät laitteen käyttöön liittyvät vaarat.
- ◆ Älä anna lasten leikkiä laitteella. Puhdistus- ja huoltotöitä ei saa jättää lapsille ilman valvontaa.

Muut riskit

Myös muut kuin turvavaroituksissa mainitut riskit ovat mahdollisia työkalua käytettäessä. Nämä riskit voivat liittyä muun muassa virheelliseen tai pitkäaikaiseen käyttöön. Tiettyjä jäännösriskejä ei voi välttää, vaikka noudatet kaikki turvamääräyksiä ja käytät turvalaitteita. Näihin kuuluvat muun muassa

- ◆ pyörivien tai liikkuvien osien koskettamisen aiheuttamat vahingot.

- ◆ osia, teriä tai lisävarusteita vaihdettaessa aiheutuneet vahingot.
- ◆ työkalun pitkäaikaisen käytön aiheuttamat vahingot (kun käytät työkalua pitkään, varmista, että pidät säännöllisesti taukoja).
- ◆ kuulovauriot.
- ◆ työkalua käytettäessä (esimerkiksi puuta, erityisesti tammea, pyökkiä ja MDF-levyjä käsiteltäessä) syntyneen pölyn sisäänhengityksen aiheuttamat terveysriskit.

Tärinä

Teknisissä tiedoissa ja vaatimustenmukaisuusilmoituksessa ilmoitettu tärinäpäästöarvo on mitattu standardin EN 62841 testaamenetelmän mukaisesti, ja sen avulla voidaan vertailla työkaluja keskenään. Ilmoitettua tärinäpäästöarvoa voidaan käyttää myös altistumisen alustavaan arviointiin.

Varoitus! Sähkötyökalun käytön aikana mitattu todellinen tärinäpäästöarvo voi poiketa ilmoitetusta tärinäpäästöarvosta työkalun käyttötavan mukaan. Tärinätasoa voi olla ilmoitettua tasoa suurempi.

Selvitettyäessä, mitä direktiivin 2002/44/EY mukaisia turvatoimenpiteitä on noudatettava sähkötyökaluja säännöllisesti käyttävien henkilöiden suojelemiseksi, tärinälle altistuminen on arvioitava todellisten käyttöolosuhteiden ja työkalun käyttötapojen perustella. Varsinaisen käytön lisäksi on huomioitava ajat, jolloin työkalu on sammutettuna tai käy tyhjäkäynnillä.

Työkalussa olevat merkinnät

Työkaluun on merkitty päivämääräkoodi sekä seuraavat varoitusmerkinnät:



Varoitus! Käyttäjän on luettava käyttöohje vahinkojen välttämiseksi.

Sähköturvallisuus



Tämä työkalu on kaksoiseristetty, joten erillistä maadoitusta ei tarvita. Tarkista aina, että virtalähteen jännite vastaa arvokilvessä ilmoitettua jännitettä.

- ◆ Jos virtajohto vahingoittuu, sen vaihtaminen tulee turvallisuussyistä jättää valmistajan tai valtuutetun BLACK+DECKER -huollon tehtäväksi.

Yleiskuvaus

Tässä työkalussa on joitakin tai kaikki seuraavista ominaisuuksista.

1. Nopeudensäätökytkin (KS701E, KS701PE) tai virtakytkin (KS501)

2. Lukituspainike
3. Sahanterän lukitusvipu
4. Jalustalevy
5. Pölynpoistoaukko (vain KS701E ja KS701PE)
6. Heiluri-iskun säädin (vain KS701E ja KS701PE)

Kokoaminen

Varoitus! Ennen kuin yrittät suorittaa mitään seuraavista toimenpiteistä, varmista, että työkalun virta on katkaistu, sähköpistoke on irrotettu sähköverkosta ja sahanterä on pysähtynyt. Käytössä olleet sahanterät voivat olla kuumia.

Sahanterän kiinnitys (kuva A – KS701E ja KS701PE)

- ◆ Pidä sahanterää (7) kuvassa näytetyllä tavalla hampaat eteenpäin.
- ◆ Työnnä lukitusvipua (3) pois päin jalustalevystä (4).
- ◆ Työnnä sahanterän varsi teränpitimeen (8) niin pitkälle kuin se menee.
- ◆ Vapauta lukitusvipu (3).

Sahanterän kiinnitys (kuva A – KS501)

- ◆ Ennen sahanterän (7) asennusta ja poistoa terän tukirulla (17) on säädettävä taka-asentoon, jotta se ei kosketa terää.
- ◆ Löysää molemmat ruuvit (mutta älä poista niitä) (18).
- ◆ Pidä sahanterää (7) hampaat eteenpäin.
- ◆ Työnnä sahanterän (7) varsi teränpitimeen (8) niin pitkälle kuin se menee.
- ◆ Kohdista terä kiristämällä molempia ruuveja (18) ensin hieman ja kiristä ne sitten kokonaan.
- ◆ Säädä sahanterän tukirullaa (17) edellä kuvatulla tavalla.
- ◆ Voit irrottaa sahanterän (7) kääntämällä molempia ruuveja (18) kierroksen verran vastapäivään.

Pölynmurin liittäminen laitteeseen (kuva B – vain KS701E ja KS701PE)

- ◆ Liu'uta pölynpoistosuutin (9) pölynpoistolitaintään (5).

Käyttö

Jalustalevyn säätäminen viistosahausta varten (kuva C)

Varoitus! Älä koskaan käytä työkalua, kun jalustalevy on löysällä tai irrotettu.

Jalustalevy (4) voidaan kääntää vasempaan tai oikeaan 45° viistoon kulmaan.

- ◆ Löysää ruuvit (10). Osassa malleja on vain yksi ruuvi.
- ◆ Vedä jalustalevy (4) eteen, käännä se vasemmalle tai oikealle ja paina se takaisin 45 asteen kulmaan (vain KS701E ja KS701PE).
- ◆ Työnnä jalustalevy (4) taakse, käännä se oikealle ja vedä se takaisin 45 asteen kulmaan (vain KS501).
- ◆ Kiristä ruuvit.

Voit palauttaa jalustalevyn (4) asennon 90 asteen**sahauskais varten seuraavasti:**

- ◆ Löysää ruuvi (10).
- ◆ Vedä jalustalevy (4) eteen, käännä se keskelle ja paina se takaisin 0 asteen kulmaan.
- ◆ Kiristä ruuvi.

Nopeudensäättö (vain KS701E ja KS701PE)

- ◆ Saha puuta suurimmalla nopeudella, alumiinia ja PVC:tä keskinopeudella ja muita metalleja hitaalla nopeudella.

Käynnistys ja pysäytys

- ◆ Käynnistä laite painamalla nopeudensäätkäytintä (KS701E ja KS701PE) tai virtakytkintä (KS501) (1). Laitteiden KS701E ja KS701PE käyttönopeus riippuu siitä, kuinka pitkälle kytkintä painetaan.
- ◆ Jatkuvaa käyttöä varten paina lukituspainiketta (2) ja paina nopeudensäätkäytintä. Tämä vaihtoehto on käytettävissä vain laitteen toimiessa täydellä nopeudella.
- ◆ Sammuta laite vapauttamalla nopeudensäätkäytin. Sammuta työkalu jatkuvan käytön aikana painamalla nopeudensäätkäytintä uudelleen ja vapauttamalla se.

Sightline®-ominaisuuden käyttäminen (kuva D)

- ◆ Merkitse sahauslinja lyijykynällä.
- ◆ Aseta pistosaha viivan (11) päälle.

Linjaa voi helposti seurata katsomalla sitä suoraan pistosahan yläpuolelta.

Sahaustila (vain KS701PE)

Heiluri-iskussa tai -toiminnossa terä liikkuu tavallista aggressiivisemmin. Se on tarkoitettu pehmeiden aineiden, kuten puun tai muovin, leikkaamiseen. Se nopeuttaa leikkaamista, mutta sahausjälki on tavallista epätasaisempi. Pistosahassa on heiluri-iskun säädin. Säätimen käyttö on esitelty seuraavassa osiossa.

Huomi! Älä koskaan käytä heiluritoimintoa metallin sahaamiseen.

Heiluri-iskun säädin (kuva E – vain KS701PE)

KS701PE-mallissa on seuraavat neljä heiluritoiminnoltaan porrastettua sahaustilaa:

- ◆ Asento 0: metalli ja alumiini sekä ohuet metallilevyt (ei heiluritoimintaa).
- ◆ Asento 1: laminaatit, kovapuu ja työtasot.
- ◆ Asento 2: vaneri ja PVC/muovut.
- ◆ Asento 3: pehmeä puu ja nopea sahaus.

Heiluritoiminnon säätö:

- ◆ Kierrä heiluri-iskun säädin (6) haluamaasi asentoon.

Sahaus

Pitele sahaa tukevasti molemmin käsin sahausajan aikana. Jalustalevy (4) on painettava lujasti sahattavaa materiaalia vasten. Tällöin saha ei pääse hyppimään ja tärisemään. Näin parhaiten estetään terän katkeaminen.

- ◆ Anna terän liikkua vapaasti muutaman sekunnin ajan ennen kuin aloitat sahaamisen.
- ◆ Paina työkalua vain kevyesti, kun sahaat.

Vinkkejä parhaimman tuloksen saavuttamiseksi**Laminaattien sahaaminen**

Laminaattia sahatessa voi esiintyä säilytymistä, mikä voi vahingoittaa näkyviin jäävää pintaa. Yleisimmin käytetyt sahanterät liikkuvat ylöspäin, joten jos jalustalevy on käsiteltyllä pinnalla, käytä alaspäin liikkuvaa sahanterää taitee jokin seuraavista:

- ◆ Käytä pienihampaista sahanterää.
- ◆ Sahaa työkalua taustapuolelta.
- ◆ Minimoi säilytyminen puristamalla palat hukkapuuta tai kovalevyä työkalupään molemmille puolille ja sahaa kaikkien kerrosten läpi.

Metallin sahaaminen

Varoitus! Älä käytä polynpoistoa metallia sahatessasi.

Sahatessa irtoavat metallinpurut ovat hyvin kuumia ja voivat aiheuttaa tulipalon.

Ota huomioon, että metallin sahaaminen on huomattavasti hitaampaa kuin puun.

- ◆ Käytä metallin sahaamiseen sopivaa sahanterää.
- ◆ Kun sahaat ohutta metalliarkkia, purista palat hukkapuuta työkalupään molemmille puolille ja sahaa kaikkien kerrosten läpi.
- ◆ Levitä ohut kerros öljyä aiotulle sahauslinjalle.

Halkaisusahausvaste (vain KS701E ja KS701PE)

Halkaisusahaus ja pyöröleikkaus ilman lyijykynällä piirrettyä ohjausviivaa on helppoa käyttämällä halkaisusahausvastetta ja pyöröohjainta (saatavana lisävarusteena, osanumero X43005-XJ).

Halkaisusahausvasteen kiinnittäminen (kuvat F ja G)

- ◆ Aseta halkaisusahausvaste (14) jaluslevyssä oleviin koloihin vastelevy alaspäin kuvan F osoittamalla tavalla.
- ◆ Laita ruuvi (15) jaluslevyn pohjassa olevaan reikään.
- ◆ Kohdista kiinnike (16) ruuvin kohdalle niin, että kaartuva reuna osoittaa alaspäin ja sahan takaosaa kohti.
- ◆ Kierrä ruuvi kiinnikkeessä olevaan kierteiseen reikään ristipäämeisselillä kuvan G mukaisesti.
- ◆ Säädä sahauslevyden mukaiseksi ja kiristä ruuvi.

Pyörösaahas (kuva H – vain KS701E ja KS701PE)

- ◆ Aseta halkaisusahausvaste jaluslevyn oikealla puolella olevaan koloon vastelevy ylöspäin.
- ◆ Säädä terän ja halkaisusahausvasteessa olevan reiän välinen etäisyys sopivaksi liikuttamalla vaakapalkkia ja kiristä ruuvi.
- ◆ Aseta saha niin, että vaakapalkissa olevan reiän keskikohta on sahattavan ympyrän keskikohdassa (saata terä oikeaan asentoon tekemällä sukellussahaus, poraamalla terälle reikä tai sahaamalla materiaalin reunasta sisäänpäin).
- ◆ Kun sahan asento on oikea, merkitse sahattavan ympyrän keskipiste lyömällä pieni naula vaakapalkissa olevan reiän läpi.
- ◆ Aloita ympyrän sahaaminen käyttäen halkaisusahausvastetta kiertovartena.

Sukellussahaus (kuva I)

Sukellussahaus on helppo tapa tehdä pistoleikkaus. Sahan saa siten suoraan paneelin tai levyyn poraamatta terälle ensin ohjausreikää. Mittaa sahattava pinta ja merkitse se selvästi lyijykynällä. Kallista sahaa eteenpäin, kunnes jaluslevyn etupää on tukevasti työtasolla ja terälle on täyden iskunpituuden verran tilaa. Käynnistä työkalu ja anna sen saavuttaa maksiminopeus. Ote sahasta tukeva ote ja laske työkalun takareunaa hitaasti, kunnes terä saavuttaa täyden syvyyden. Paina jalustalevy tasaisesti puuta vasten ja aloita sahaus. Älä nosta terää sahausurasta sen ollessa vielä liikkeessä. Terän on ensin pysähdyttävä kokonaan.

Huolto

BLACK+DECKER -työkalu on suunniteltu toimimaan mahdollisimman pitkän aikaa mahdollisimman vähällä huollolla. Oikealla huollolla ja säännöllisellä puhdistuksella työkalu säilyttää suorituskykynsä.

- ◆ Puhdista laitteen ilma-aukot säännöllisesti pehmeällä harjalla tai kuivalla rievulla.
- ◆ Puhdista moottorin kotelo säännöllisesti kostealla liinalla. Älä koskaan käytä puhdistamiseen liuotainaineita tai syövyttäviä puhdistusaineita. Älä koskaan päästä nestettä valumaan työkalun sisään. Älä koskaan upota mitään työkalun osaan nesteeseen.

Ympäristönsuojelu

Toimita tämä laite erilliskeräykseen. Tällä symbolilla merkityt tuotteita ja akkuja ei saa hävittää tavallisen kotitalousjätteen mukana.

Tuotteissa ja akuissa on materiaaleja, jotka voidaan ottaa talteen tai kierrättää uudelleen käyttöä varten. Kierrätä sähkölaitteet ja akut paikallisten määräysten mukaan. Lisätietoa on saatavilla osoitteessa www.2helpU.com

Tekniset tiedot

		KS501 (tyyppi 1)	KS701E (tyyppi 2)	KS701PE (tyyppi 2)
Syöttöjännite	V_{ac}	230	230	230
Ottoteho	W	400	520	520
Kuormittamaton nopeus	Min ⁻¹	3,000	0-3,000	0-3,000
Suurin sahausyvyys				
Puu	mm	65	70	70
Teräs	mm	5	5	5
Alumiini	mm	10	15	15
Paino	kg	1.3	1.6	1.7

Äänenpainetaso, määritetty EN 62841-standardin mukaan:

Äänenpaine (L_{pa}) 89 dB(A), epävarmuus (K) 5 dB(A)

Äänitehotaso (L_{wa}) 100 dB(A), epävarmuus (K) 5 dB(A)

Tärinän kokonaisarvot (vektorisumma) standardin EN 62841 mukaisesti:

Leikkattaessa lastulevyjä ($a_{h,s}$) 12,5 m/s², epävarmuus (K) 1,5 m/s²

Leikkattaessa metallilevyjä ($a_{h,m}$) 12,6 m/s², epävarmuus (K) 1,5 m/s²

EY-vaatimustenmukaisuusvakuutus

KONEDIREKTIIVI



KS501, KS701E, KS701PE - pistosaha

Black & Decker ilmoittaa, että tuotteet, jotka on kuvattu kohdassa "Tekniset tiedot" ovat seuraavien direktiivien vaatimusten mukaisia:

EN62841-1:2015, EN62841-2-11:2016

Nämä tuotteet täyttävät myös direktiivien 2006/42/EY, 2014/30/EU ja 2011/65/EU vaatimukset.

Lisätietoja saa ottamalla yhteyden Black & Deckeriin seuraavassa osoitteessa. Tiedot ovat myös käyttöohjeen takakannessa.

Allekirjoittanut vastaa teknisten tietojen kokoamisesta ja antaa tämän ilmoituksen Black & Decker Europan puolesta

A. Smith

Technical Director
Black & Decker Europe, 210 Bath Road, Slough,

Berkshire, SL1 3YD

Yhdistynyt kuningaskunta

22/01/2019

Takuu

Stanley Fat Max on vakuuttunut tuotteidensa korkeasta laadusta ja tarjooa kuluttajille 12 kuukauden takuun, joka astuu voimaan ostopäivänä. Takuu on lisäys kuluttajan laillisiin oikeuksiin eikä vaikuta niihin. Tämä takuu on voimassa kaikissa EU- ja ETA-maissa.

Edellytyksenä takuun saamiselle on, että vaade täyttää Stanley Fat Maxin ehdot ja että ostaja toimittaa ostotositteen jälleenmyyjälle tai valtuutetulle huoltoilikeelle. Stanley Fat Maxin yhden vuoden takuun ehdot ja lähimmän valtuutetun korjauspalvelun yhteyshenkilöt ovat saatavilla osoitteessa www.2helpU.com tai ottamalla yhteyttä paikalliseen Stanley Fat Maxin toimipisteeseen tässä ohjekirjassa ilmoitettuihin osoitteisiin.

Käy verkkosivuillemme osoitteessa www.stanley.eu/3 ja rekisteröi uusi Stanley Fat Max -tuotteesi. Sivuilta saat myös päivityksiä uusista tuotteista ja erikoistarjouksista.

ΕΛΛΗΝΙΚΑ

(Μετάφραση των πρωτότυπων οδηγιών)

Ενδεδειγμένη χρήση

Η σέγα σας BLACK+DECKER, KS501, KS701E, KS701PE, έχει σχεδιαστεί για το πρόνισμα ξύλου, πλαστικών και μεταλλικών ελασμάτων. Αυτό το εργαλείο προορίζεται μόνο για ερασιτεχνική χρήση.

Οδηγίες ασφαλείας

Γενικές προειδοποιήσεις ασφαλείας για ηλεκτρικά εργαλεία



Προειδοποίηση! Διαβάστε όλες τις προειδοποιήσεις ασφαλείας, τις οδηγίες, τις απεικονίσεις και τις προδιαγραφές που συνοδεύουν το ηλεκτρικό εργαλείο. Η μη τήρηση των παρακάτω προειδοποιήσεων και οδηγιών μπορεί να προκαλέσει ηλεκτροπληξία, πυρκαγιά και/ή σοβαρές σωματικές βλάβες.

Φυλάξτε όλες τις προειδοποιήσεις και τις οδηγίες για μελλοντική αναφορά. Ο όρος "ηλεκτρικό εργαλείο" που χρησιμοποιείται σε όλες τις παρακάτω προειδοποιήσεις, αναφέρεται είτε σε εργαλείο που λειτουργεί με ρεύμα δικτύου (ρεύματος - με καλώδιο) είτε σε εργαλείο που λειτουργεί με μπαταρία (μπαταρίας - χωρίς καλώδιο).

1. Ασφάλεια χώρου εργασίας

- α. **Διατηρείτε το χώρο εργασίας καθαρό και καλά φωτισμένο.** Οι ατακτοποιητοί ή σκοτεινοί χώροι γίνονται αιτίες ατυχημάτων.
- β. **Μη χρησιμοποιείτε ηλεκτρικά εργαλεία σε περιβάλλον όπου υπάρχει κίνδυνος έκρηξης, όπως με παρουσία εύφλεκτων υγρών, αερίων ή σκόνης.** Τα ηλεκτρικά εργαλεία παράγουν σπινθήρες που μπορεί να προκαλέσουν ανάφλεξη της σκόνης ή των αναθυμιάσεων.
- γ. **Όταν χρησιμοποιείτε ηλεκτρικό εργαλείο, κρατάτε μακριά τα παιδιά και άλλα άτομα.** Παράγοντες που αποσπούν την προσοχή μπορεί να σας κάνουν να χάσετε τον έλεγχο.

2. Ασφαλής χρήση ηλεκτρικού ρεύματος

- α. **Τα φως των ηλεκτρικών εργαλείων πρέπει να ταιριάζουν στην πρίζα. Σε καμία περίπτωση μην τροποποιήσετε το φως, με κανένα τρόπο. Μη χρησιμοποιείτε φως προσαρμογής με γειωμένα ηλεκτρικά εργαλεία.** Τα φως που δεν έχουν υποστεί τροποποιήσεις και οι κατάλληλες πρίζες μειώνουν τον κίνδυνο ηλεκτροπληξίας.
- β. **Αποφεύγετε την επαφή του σώματός σας με γειωμένες επιφάνειες, όπως σωλήνες, καλοριφέρ, κουζίνες και ψυγεία.** Υπάρχει αυξημένος κίνδυνος ηλεκτροπληξίας αν το σώμα σας είναι γειωμένο.
- γ. **Μην εκθέτετε τα ηλεκτρικά εργαλεία σε βροχή ή υγρασία.** Η διεύδυση νερού σε ένα ηλεκτρικό εργαλείο αυξάνει τον κίνδυνο ηλεκτροπληξίας.
- δ. **Μην κακομεταχειρίζεστε το καλώδιο. Ποτέ μη χρησιμοποιήσετε το καλώδιο για να μεταφέρετε, να τραβήξετε ή να αποσυνδέσετε από την πρίζα το ηλεκτρικό εργαλείο. Κρατάτε το καλώδιο μακριά από θερμότητα, λάδια, αιχμηρά άκρα ή κινούμενα μέρη.** Τα καλώδια που έχουν υποστεί ζημιά ή είναι μπερδεμένα αυξάνουν τον κίνδυνο ηλεκτροπληξίας.
- ε. **Όταν χρησιμοποιείτε ηλεκτρικό εργαλείο σε εξωτερικούς χώρους, να χρησιμοποιείτε πάντοτε καλώδιο επέκτασης κατάλληλο για εργασία σε εξωτερικούς χώρους.** Η χρήση καλωδίου κατάλληλου για εργασία σε εξωτερικούς χώρους μειώνει τον κίνδυνο ηλεκτροπληξίας.
- στ. **Εάν είναι αναπόφευκτη η χρήση ενός ηλεκτρικού εργαλείου σε συνθήκες υγρασίας, χρησιμοποιήστε μια διάταξη προστασίας από ρεύμα διαρροής (RCD).** Η χρήση μιας διάταξης RCD μειώνει τον κίνδυνο ηλεκτροπληξίας.

3. Προσωπική ασφάλεια

- α. **Όταν χρησιμοποιείτε ηλεκτρικό εργαλείο, να είστε σε εγρήγορση, να συγκεντρώνετε στην εργασία που κάνετε και να επιστρατεύετε την κοινή λογική. Μη χρησιμοποιείτε ηλεκτρικό εργαλείο όταν είστε**

κουρασμένος/η ή υπό την επίρεια ναρκωτικών, οιονοπνεύματος ή φαρμακευτικής αγωγής. Μια στιγμή απροσεξίας κατά τη χρήση ηλεκτρικών εργαλείων μπορεί να προκαλέσει σοβαρό τραυματισμό.

β. Να χρησιμοποιείτε ατομικό εξοπλισμό προστασίας.

Πάντα φοράτε προστασία ματιών. Ο εξοπλισμός προστασίας, όπως μάσκα κατά της σκόνης, αντιολισθητικά παπούτσια ασφαλείας, κράνος ή προστασία ακοής, όταν χρησιμοποιείται για τις κατάλληλες συνθήκες, θα μειώσει τους τραυματισμούς και τις σωματικές βλάβες.

γ. Αποτρέψτε την ακούσια ενεργοποίηση. Βεβαιωθείτε ότι ο διακόπτης βρίσκεται στη θέση απενεργοποίησης, πριν συνδέσετε το εργαλείο στην πηγή ρεύματος και/ή τοποθετήσετε το πακέτο μπαταρίας, καθώς και πριν πάρετε στα χέρια σας ή μεταφέρετε το εργαλείο.

Η μεταφορά ηλεκτρικών εργαλείων με το δάχτυλο πάνω στο διακόπτη ή η σύνδεση στο ρεύμα ηλεκτρικών εργαλείων με το διακόπτη στη θέση ενεργοποίησης, ενέχει κίνδυνο ατυχημάτων.

δ. Πριν θέσετε το ηλεκτρικό εργαλείο σε λειτουργία, αφαιρέστε τυχόν εργαλεία ή κλειδιά ρύθμισης. Εάν αφήσετε ένα εργαλείο ή κλειδί πάνω σε κάποιο περιστρεφόμενο εξάρτημα του ηλεκτρικού εργαλείου, μπορεί να προκληθούν τραυματισμοί.

ε. Μην τεντώνετε υπερβολικά. Διατηρείτε πάντα σταθερή στήριξη στα πόδια σας και καλή ισορροπία. Έτσι μπορείτε να έχετε καλύτερο έλεγχο του ηλεκτρικού εργαλείου σε μη αναμενόμενες καταστάσεις.

στ. Φοράτε κατάλληλη ενδυμασία εργασίας. Μη φοράτε φαρδιά ρούχα ούτε κοσμήματα. Κρατάτε τα μαλλιά, τα ρούχα και τα γάντια σας μακριά από κινούμενα μέρη. Τα χαλαρά ρούχα, τα κοσμήματα και τα μακριά μαλλιά μπορούν να πιαστούν σε κινούμενα μέρη.

ζ. Αν παρέχονται διατάξεις για τη σύνδεση συστημάτων απομάκρυνσης και συλλογής της σκόνης, βεβαιωθείτε ότι αυτές είναι συνδεδεμένες και χρησιμοποιούνται σωστά. Η χρήση διατάξεων συλλογής της σκόνης μπορεί να μειώσει τους κινδύνους που προέρχονται από τη σκόνη.

η. Μην αφήνετε την εξοικείωση που έχετε αποκτήσει από τη συχνή χρήση εργαλείων να σας επιτρέψει να εφησυχάσετε ώστε να αγνοείτε τις αρχές ασφαλούς χρήσης των εργαλείων. Μια απρόσεκτη ενέργεια μπορεί να προκαλέσει βαρύ τραυματισμό μέσα σε κλάσματα του δευτερολέπτου.

4. Χρήση και φροντίδα ηλεκτρικών εργαλείων

α. Μην υπερφορτώνετε το ηλεκτρικό εργαλείο.

Χρησιμοποιείτε το σωστό ηλεκτρικό εργαλείο για την εφαρμογή σας. Το σωστό ηλεκτρικό εργαλείο θα εκτελέσει την εργασία καλύτερα και ασφαλέστερα, με την ένταση χρήσης για την οποία σχεδιάστηκε.

β. Μη χρησιμοποιήσετε το ηλεκτρικό εργαλείο αν ο διακόπτης του δεν μπορεί να το ενεργοποιεί και απενεργοποιεί. Ένα ηλεκτρικό εργαλείο του οποίου η λειτουργία δεν μπορεί να ελεγχθεί με το διακόπτη είναι επικίνδυνο και πρέπει να επισκευαστεί.

γ. Αποσυνδέστε το φως από την πηγή ρεύματος και/ή το πακέτο μπαταρίας από το ηλεκτρικό εργαλείο, πριν διεξαγάγετε οποιαδήποτε ρύθμιση, αλλαγή αξεσουάρ ή όταν πρόκειται να αποθηκεύσετε το ηλεκτρικό εργαλείο. Τέτοια προληπτικά μέτρα ασφαλείας μειώνουν το κίνδυνο αθέλητης εκκίνησης του ηλεκτρικού εργαλείου.

δ. Να φυλάσσετε μακριά από παιδιά τα ηλεκτρικά εργαλεία που δεν χρησιμοποιείτε. Μην αφήνετε να χρησιμοποιήσουν ηλεκτρικό εργαλείο άτομα που δεν είναι εξοικειωμένα με αυτό ή άτομα που δεν έχουν διαβάσει αυτές τις οδηγίες χρήσης. Τα ηλεκτρικά εργαλεία είναι επικίνδυνα στα χέρια μη εκπαιδευμένων χρηστών.

ε. Συντηρείτε τα ηλεκτρικά εργαλεία και τα αξεσουάρ. Ελέγχετε για προβλήματα ευθυγράμμισης ή για μάγκωμα των κινούμενων εξαρτημάτων, θραύση εξαρτημάτων, καθώς και για οποιοδήποτε άλλο πρόβλημα μπορεί να επηρεάσει τη λειτουργία των ηλεκτρικών εργαλείων. Αν το ηλεκτρικό εργαλείο έχει υποστεί ζημιά, φροντίστε να επισκευαστεί πριν το χρησιμοποιήσετε. Η ανεπαρκής συντήρηση των ηλεκτρικών εργαλείων αποτελεί αιτία πολλών ατυχημάτων.

στ. Διατηρείτε τα κοπτικά εργαλεία κοφτερά και καθαρά. Τα κοπτικά εργαλεία με κοφτερές κοπτικές αιχμές που συντηρούνται σωστά έχουν λιγότερες πιθανότητες να μαγκώσουν και ελέγχονται ευκολότερα.

ζ. Να χρησιμοποιείτε το ηλεκτρικό εργαλείο, τα αξεσουάρ και τις μύτες του εργαλείου κλπ. σύμφωνα με τις παρούσες οδηγίες, λαμβάνοντας υπόψη σας τις συνθήκες εργασίας και την εργασία που θέλετε να εκτελέσετε. Η χρήση του ηλεκτρικού εργαλείου για εργασίες διαφορετικές από τις προβλεπόμενες θα μπορούσε να οδηγήσει σε επικίνδυνη κατάσταση.

η. Διατηρείτε τις λαβές και τις επιφάνειες κρατημάτων στεγνές, καθαρές και απαλλαγμένες από λάδι και γράσο. Οι ολισθηρές λαβές και οι λαδωμένες επιφάνειες κρατημάτων δεν επιτρέπουν τον ασφαλή χειρισμό και έλεγχο του εργαλείου σε μη αναμενόμενες καταστάσεις.

5. Τεχνική εξυπηρέτηση

α. Αναθέστε το σέρβις του ηλεκτρικού σας εργαλείου σε εξειδικευμένο τεχνικό επισκευών που χρησιμοποιεί μόνο γνήσια ανταλλακτικά. Έτσι θα εξασφαλίσετε τη διατήρηση της ασφάλειας του ηλεκτρικού εργαλείου.

Συμπληρωματικές προειδοποιήσεις ασφαλείας για τα ηλεκτρικά εργαλεία



Προειδοποίηση! Οδηγίες ασφαλείας για όλα τα δισκοπρίονα

- ◆ Κρατάτε το ηλεκτρικό εργαλείο από τις μονωμένες επιφάνειες συγκράτησης, όταν εκτελείτε κάποια εργασία κατά την οποία το εξάρτημα κοπής μπορεί να έρθει σε επαφή με κρυμμένα καλώδια. Ένα εξάρτημα κοπής το οποίο έρχεται σε επαφή με ηλεκτροφόρο καλώδιο μπορεί να καταστήσει και τα εκτεθειμένα μεταλλικά μέρη του ηλεκτρικού εργαλείου ηλεκτροφόρα και να προκαλέσει ηλεκτροπληξία στο χειριστή του.
- ◆ Χρησιμοποιείτε σφιγκτήρες ή άλλα πρακτικά μέσα για να ασφαλίσετε και να στηρίξετε το προς επεξεργασία αντικείμενο σε μια σταθερή βάση. Η συγκράτηση του κατεργαζόμενου τεμαχίου με το χέρι ή πάνω στο σώμα σας το καθιστά ασταθές και μπορεί να οδηγήσει σε απώλεια του ελέγχου.
- ◆ Μην πλησιάζετε τα χέρια σας στην περιοχή κοπής. Ποτέ μην πλησιάζετε τα χέρια σας κάτω από το υπό επεξεργασία αντικείμενο για οποιονδήποτε λόγο. Μην πλησιάζετε τα δάχτυλα ή τον αντίχειρά σας κοντά στην παλλόμενη λάμα και το σφιγκτήρα της λάμας. Μη σταθεροποιείτε το πρίονι κρατώντας το από το πόδιλο.
- ◆ Διατηρείτε τις λάμες κοφτερές. Οι στομωμένες ή κατεστραμμένες λάμες μπορεί να προκαλέσει παρέκκλιση του πριονιού ή διακοπή της λειτουργίας του υπό πίεση. Χρησιμοποιείτε πάντα τον κατάλληλο τύπο πριονόλαμας ανάλογα το υλικό που προς επεξεργασία αντικείμενο και τον τύπο κοπής.
- ◆ Όταν κοβετε σωλήνες ή αγωγούς βεβαιωθείτε ότι δεν περιέχουν νερό, ηλεκτρικές καλωδιώσεις, κλπ.
- ◆ Μην αγγίζετε το προς επεξεργασία αντικείμενο ή τη λάμα αμέσως μετά τη χρήση του εργαλείου. Μπορεί να είναι πολύ ζεστά.
- ◆ Προσέχετε τους κρυφούς κινδύνους και, πριν από την κοπή τοίχων, δαπέδων ή ταβανιών, ελέγχετε για τυχόν διερχόμενα καλώδια ή σωλήνες.
- ◆ Η λάμα συνεχίζει να κινείται και μετά την απασφάλιση του διακόπτη. Απενεργοποιείτε πάντα το εργαλείο και περιμένετε να σταματήσει εντελώς η πριονόλαμα προτού ακουμπήσετε κάτω το εργαλείο.

Προειδοποίηση! Η επαφή ή η εισπνοή της σκόνης που δημιουργούν οι εφαρμογές κοπής μπορεί να φέρουν κίνδυνο για την υγεία του χειριστή και των ατόμων που ενδοχόμενως παρευρίσκονται. Φορέστε μάσκα σκόνης ειδικά σχεδιασμένη για προστασία έναντι της σκόνης και των αναθυμιάσεων και βεβαιωθείτε ότι τα άτομα που βρίσκονται ή εισέρχονται στο χώρο εργασίας είναι επίσης προστατευμένα.

- ◆ Η ενδεδειγμένη χρήση περιγράφεται σε αυτό το εγχειρίδιο οδηγιών. Η χρήση οποιουδήποτε αξεσουάρ ή προσαρτήματος ή η εκτέλεση οποιασδήποτε εργασίας με αυτό το εργαλείο διαφορετικής από αυτές που συστήνονται στο παρόν εγχειρίδιο οδηγιών ενδέχεται να εγκυμονεί κίνδυνο τραυματισμού και/ή ζημίας σε ιδιοκτησία.

Ασφάλεια τρίτων

- ◆ Αυτό το εργαλείο μπορεί να χρησιμοποιηθεί από παιδιά ηλικίας 8 ετών και άνω καθώς και από άτομα

με μειωμένες σωματικές, αισθητηριακές ή διανοητικές ικανότητες ή άτομα χωρίς εμπειρία και γνώσεις, μόνο εφόσον αυτά επιτηρούνται ή τους έχουν δοθεί οδηγίες σχετικά με την ασφαλή χρήση της συσκευής και έχουν κατανοήσει τους πιθανούς κινδύνους.

- ◆ Τα παιδιά δεν πρέπει να παίζουν με τη συσκευή. Ο καθαρισμός και η συντήρηση από το χρήστη δεν πρέπει να γίνονται από παιδιά χωρίς επίβλεψη.

Αναπόφευκτοι κίνδυνοι

Μπορεί να δημιουργηθούν επιπρόσθετοι αναπόφευκτοι κίνδυνοι, όταν χρησιμοποιείτε το εργαλείο, οι οποίοι ενδέχεται να μη συμπεριλαμβάνονται στις προειδοποιήσεις ασφαλείας που εσωκλείονται. Αυτοί οι κίνδυνοι μπορεί να προκληθούν από κακή χρήση, παρατεταμένη χρήση κτλ. Ακόμα και με την τήρηση των σχετικών κανονισμών ασφαλείας και τη χρήση μέσων προστασίας, ορισμένοι κίνδυνοι δεν είναι δυνατόν να εξαιρεθούν. Αυτοί περιλαμβάνουν:

- ◆ Τραυματισμούς από το άγγιγμα των περιστρεφόμενων/κινούμενων εξαρτημάτων.
- ◆ Τραυματισμούς από αλλαγή οποιωνδήποτε εξαρτημάτων, λεπίδων ή αξεσουάρ.
- ◆ Τραυματισμούς από παρατεταμένη χρήση του εργαλείου. Όταν χρησιμοποιείτε οποιοδήποτε εργαλείο για παρατεταμένες χρονικές περιόδους βεβαιωθείτε ότι κάνετε τακτικά διαλείμματα.
- ◆ Προβλήματα ακοής.
- ◆ Κίνδυνοι στην υγεία που προκαλούνται από την εισπνοή σκόνης όταν χρησιμοποιείτε το εργαλείο (παράδειγμα:- όταν επεξεργάζεστε ξύλο, ειδικά δρυς, οξιά και MDF.)

Δόνηση

Η δηλωμένη τιμή εκπομπής δόνησης που αναφέρεται στα τεχνικά χαρακτηριστικά και τη δήλωση συμμόρφωσης έχει μετρηθεί σύμφωνα με μια τυποποιημένη μέθοδο δοκιμής που παρέχεται από το πρότυπο EN 62841 και μπορεί να χρησιμοποιηθεί για τη σύγκριση ενός εργαλείου με ένα άλλο. Η δηλωμένη τιμή εκπομπής δόνησης μπορεί επίσης να χρησιμοποιηθεί σε έναν προκαταρκτικό προσδιορισμό της έκθεσης.

Προειδοποίηση! Η τιμή εκπομπής δόνησης κατά την πραγματική χρήση του ηλεκτρικού εργαλείου μπορεί να διαφέρει από τη δηλωμένη τιμή, ανάλογα με τον τρόπο που χρησιμοποιείται το εργαλείο. Η στάθμη δόνησης μπορεί να αυξηθεί πάνω από τη στάθμη που έχει δηλωθεί.

Κατά τον προσδιορισμό της έκθεσης σε δόνηση για τον καθορισμό των απαιτούμενων μέτρων ασφάλειας σύμφωνα με την οδηγία 2002/44/EK για την προστασία προσώπων που χρησιμοποιούν συχνά ηλεκτρικά εργαλεία στην εργασία τους, μια προσεγγιστική εκτίμηση της έκθεσης σε δόνηση πρέπει να λαμβάνει υπόψη τις πραγματικές συνθήκες χρήσης και τον τρόπο χρήσης του εργαλείου, συμπεριλαμβανομένων και όλων των επιμέρους τμημάτων του κύκλου εργασίας, όπως, πόσες φορές τέθηκε το εργαλείο εκτός λειτουργίας, τότε είναι σε λειτουργία χωρίς φορτίο επιπρόσθετα στο χρόνο πίεσης της σκανδάλης.

Ετικέτες στο εργαλείο

Το εργαλείο φέρει τα παρακάτω προειδοποιητικά σύμβολα μαζί με τον κωδικό ημερομηνίας:



Προειδοποίηση! Για να μειωθεί ο κίνδυνος τραυματισμού, ο χρήστης πρέπει να διαβάσει το εγχειρίδιο οδηγιών.

Ασφαλής χρήση ηλεκτρικού ρεύματος



Αυτό το εργαλείο διαθέτει διπλή μόνωση, επομένως δεν απαιτείται καλώδιο γείωσης. Ελέγχετε πάντοτε αν η τάση τροφοδοσίας αντιστοιχεί σε αυτήν που αναγράφεται στην πινακίδα χαρακτηριστικών.

- ♦ Αν το καλώδιο ρεύματος έχει υποστεί φθορά, η αντικατάστασή του πρέπει να γίνει από τον κατασκευαστή ή από ένα εξουσιοδοτημένο κέντρο επισκευών της BLACK+DECKER, ώστε να μην αποτελέσει κίνδυνο.

Χαρακτηριστικά

Αυτό το εργαλείο διαθέτει μερικά από ή όλα τα παρακάτω χαρακτηριστικά.

1. Διακόπτης μεταβλητής ταχύτητας (KS701E, KS701PE) ή διακόπτης On/Off (KS501)
2. Κομπιό συνεχόμενης λειτουργίας
3. Μοχλός κλειδώματος πριονόλαμας
4. Πέδιλο
5. Στόμιο απαγωγής σκόνης (KS701E και KS701PE μόνο)
6. Διακόπτης επιλογής διαδρομής ταλάντωσης (KS701PE μόνο)

Συναρμολόγηση

Προειδοποίηση! Πριν επιχειρήσετε κάποια από αυτές τις εργασίες, βεβαιωθείτε ότι εργαλείο είναι απενεργοποιημένο και αποσυνδεδεμένο από την πρίζα και ότι η πριονόλαμα είναι σταματημένη. Οι πριονόλαμας μετά από χρήση μπορεί να είναι ζεστές.

Τοποθέτηση της πριονόλαμας (εικ. A - KS701E και KS701PE)

- ♦ Κρατήστε την πριονόλαμα (7) όπως υποδεικνύεται, με τα δόντια να κοιτούν προς τα εμπρός.
- ♦ Σπρώξτε το μοχλό κλειδώματος (3) μακριά από το πέδιλο (4).
- ♦ Τοποθετήστε το στέλεχος της πριονόλαμας μέσα στην υποδοχή της λάμας (8) όσο βαθιά πάει.
- ♦ Ελευθερώστε το μοχλό κλειδώματος (3).

Τοποθέτηση της πριονόλαμας (εικ. A - KS501)

- ♦ Πριν την τοποθέτηση ή την αφαίρεση της πριονόλαμας (7) πρέπει να ρυθμιστεί το ράουλο της βάσης της πριονόλαμας (17) στην πίσω θέση ώστε να μην έρχεται σε επαφή με τη λάμα.
- ♦ Χαλαρώστε (μην αφαιρέσετε) τις δύο βίδες (18).
- ♦ Κρατήστε την πριονόλαμα (7) με τα δόντια να κοιτούν προς τα εμπρός.
- ♦ Τοποθετήστε το στέλεχος της πριονόλαμας (7) μέσα στην υποδοχή της λάμας (8) όσο βαθιά πάει.
- ♦ Σφίξτε ελαφρά τις δύο βίδες (18) εναλλάξ για να τοποθετηθεί η λάμα, και στη συνέχεια σφίξτε εντελώς τις δύο βίδες (18).

- ♦ Ρυθμίστε το ράουλο της βάσης πριονόλαμας (17) όπως περιγράφεται παραπάνω.
- ♦ Για να αφαιρέσετε την πριονόλαμα (7), περιστρέψτε και τις δύο βίδες (18) κατά μια στροφή αριστερόστροφα.

Σύνδεση ηλεκτρικής σκούπας στο εργαλείο (εικ. B - KS701E και KS701PE μόνο)

- ♦ Σύρτε το ακροφύσιο της σκούπας (9) μέσα από το στόμιο απαγωγής σκόνης (5).

Χρήση

Ρύθμιση του πέδιλου για λοξές κοπές (εικ. C)

Προειδοποίηση! Μην χρησιμοποιείτε ποτέ το εργαλείο όταν το πέδιλο έχει χαλαρώσει ή έχει αφαιρεθεί.

Το πέδιλο (4) μπορεί να ρυθμιστεί για δεξιά ή αριστερή λοξή κοπή σε γωνία 45°.

- ♦ Χαλαρώστε τις βίδες (10). Μερικά μοντέλα έχουν μία βίδα.
- ♦ Τραβήξτε το πέδιλο (4) εμπρός, περιστρέψτε το πέδιλο προς τα αριστερά ή τα δεξιά και σπρώξτε το πίσω στη θέση 45°. (KS701E και KS701PE μόνο).
- ♦ Σπρώξτε το πέδιλο (4) προς τα πίσω, περιστρέψτε το προς τα δεξιά και τραβήξτε το πίσω στη θέση 45°. (KS501 μόνο).
- ♦ Σφίξτε τις βίδες.

Για να ρυθμίσετε πάλι το πέδιλο (4) για τομές 90°:

- ♦ Χαλαρώστε τη βίδα (10).
- ♦ Τραβήξτε το πέδιλο (4) εμπρός, περιστρέψτε το στο κέντρο και σπρώξτε το πίσω στη θέση 0°.
- ♦ Αφαιρέστε τη βίδα.

Έλεγχος μεταβλητής ταχύτητας (KS701E και KS701PE μόνο)

- ♦ Χρησιμοποιείτε μεγάλη ταχύτητα για το ξύλο, μέτρια ταχύτητα για το αλουμίνιο και το PVC και χαμηλή ταχύτητα για μέταλλα διαφορετικά από το αλουμίνιο.

Ενεργοποίηση και απενεργοποίηση

- ♦ Για να ενεργοποιήσετε το εργαλείο, πιέστε το διακόπτη μεταβλητής ταχύτητας (KS701E και KS701PE) ή το διακόπτη on/off (KS501) (1). Στις μονάδες KS701E και KS701PE η ταχύτητα λειτουργίας του εργαλείου εξαρτάται από το πόσο πιέζετε το διακόπτη.
- ♦ Για συνεχή λειτουργία, πατήστε το κομπιό συνεχόμενης λειτουργίας (2) και πιέστε το διακόπτη μεταβλητής ταχύτητας. Η επιλογή αυτή είναι διαθέσιμη μόνο με τη μέγιστη ταχύτητα.
- ♦ Για να απενεργοποιήσετε το εργαλείο, πιέστε το διακόπτη μεταβλητής ταχύτητας. Για να απενεργοποιήσετε το εργαλείο, όταν βρίσκεται σε συνεχόμενη λειτουργία, πατήστε το διακόπτη μεταβλητής ταχύτητας ακόμη μία φορά και αφήστε τον ελεύθερο.

Τρόπος χρήσης της λειτουργίας Sightline® (εικ. D)

- ♦ Χρησιμοποιήστε ένα μολύβι για να σημαδέψετε τη γραμμή κοπής.
- ♦ Τοποθετήστε τη σέγα πάνω από τη γραμμή (11).

Βλέποντας κατευθείαν πάνω από τη σέγα, είναι εύκολη η παρακολούθηση της γραμμής κοπής.

Λειτουργία κοπής (KS701PE μόνο)

Η διαδρομή ή ενέργεια ταλάντωσης παρέχει μια πιο επιθετική κίνηση λάμας και είναι σχεδιασμένη για κοπή σε μαλακά υλικά, όπως ξύλο ή πλαστικό. Παρέχει ταχύτερη κοπή, αλλά με λιγότερο λεία κοπή κατά μήκος του υλικού. Η σέγα διαθέτει διακόπτη επιλογής διαδρομής ταλάντωσης. Η χρήση αυτού του διακόπτη παρουσιάζεται στην επόμενη ενότητα.

Σημείωση: Ποτέ μην χρησιμοποιείτε την παλινδρομική ενέργεια για την κοπή μετάλλου.

Διακόπτης επιλογής διαδρομής ταλάντωσης (εικ. E - KS701PE μόνο)

Το KS701PE διαθέτει αυτές τις τέσσερις λειτουργίες κοπής με αυξανόμενη ένταση ενέργειας ταλάντωσης:

- ◆ Θέση 0: μέταλλο και αλουμίνιο και μεταλλικά ελάσματα (χωρίς ενέργεια ταλάντωσης).
- ◆ Θέση 1: για ελάσματα, σκληρό ξύλο, επιφάνειες εργασίας.
- ◆ Θέση 2: για καπλαμάδες και PVC/Πλαστικά.
- ◆ Θέση 3: για μαλακό ξύλο και γρήγορες κοπές

Για να ρυθμίσετε την ενέργεια ταλάντωσης:

- ◆ Περιστρέψτε τον διακόπτη επιλογής διαδρομής ταλάντωσης (6) στη θέση που επιθυμείτε.

Πριόνισμα

Κατά την κοπή, κρατάτε το εργαλείο καλά και με τα δύο χέρια. Το πέδιλο (4) θα πρέπει να πιέζεται με δύναμη επάνω στο προς κοπή υλικό. Κάτι τέτοιο αποτρέπει τις αναπηδήσεις του πριονιού, μειώνει τις δονήσεις και ελαχιστοποιεί τις σπασμένες λάμες.

- ◆ Αφήστε τη λάμα να κινηθεί ελεύθερα για λίγα δευτερόλεπτα προτού ξεκινήσετε την κοπή.
- ◆ Κατά την εκτέλεση της κοπής, εφαρμόζετε μόνο μικρή πίεση στο εργαλείο.

Συμβουλές για άριστη χρήση

Πριόνισμα ελασμάτων

Κατά το κόψιμο ελασμάτων μπορεί να επέλθει σχίσσιμο που θα καταστρέψει την εμφάνιση της επιφάνειας. Οι πιο κοινές πριονόλαμες κόβουν κατά τη διαδρομή προς τα πάνω, συνεπώς εάν το πέδιλο είναι σε επαφή με την επιφάνεια που θα φαίνεται είτε χρησιμοποιείτε μια πριονόλαμα η οποία κόβει κατά τη διαδρομή προς τα κάτω είτε:

- ◆ Χρησιμοποιείτε μια πριονόλαμα με λεπτά δόντια.
- ◆ Πριονίζετε από την πίσω επιφάνεια του αντικειμένου υπό επεξεργασία.
- ◆ Για να ελαχιστοποιήσετε το σχίσσιμο, στερεώστε με το σφιγκτήρα ένα κομμάτι άχρηστου ξύλου ή κόντρα πλακέ και στις δύο πλευρές του αντικειμένου υπό επεξεργασία και πριονίστε ανάμεσα σε αυτό το σάντουιτς.

Πριόνισμα μετάλλου

Προειδοποίηση! Μην χρησιμοποιείτε ηλεκτρική σκούπα κατά την κοπή μετάλλων. Τα μεταλλικά ρινίσματα είναι θερμά και μπορούν να προκαλέσουν πυρκαγιά.

Να ξέρετε ότι το πριόνισμα μετάλλου παίρνει πολύ παραπάνω χρόνο από το πριόνισμα ξύλου.

- ◆ Χρησιμοποιείτε μια πριονόλαμα κατάλληλη για το πριόνισμα μετάλλου.
- ◆ Όταν κόβετε λεπτά μεταλλικά ελάσματα, στερεώστε με το σφιγκτήρα ένα κομμάτι άχρηστου ξύλου στην πίσω επιφάνεια του αντικειμένου υπό επεξεργασία και κόψτε ανάμεσα σε αυτό το σάντουιτς.
- ◆ Απλώστε ένα λεπτό στρώμα λαδιού κατά μήκος της γραμμής που σκοπεύετε να κόψετε.

Πλέγμα απόσχισης (KS701E και KS701PE μόνο)

Η απόσχιση και κυκλική κοπή χωρίς γραμμή ίχνους από μολύβι μπορεί να εκτελεστεί εύκολα με ένα πλέγμα απόσχισης και οδηγό κυκλικής κοπής (διατίθεται ως προαιρετικό πρόσθετο εξάρτημα - αριθμός εξαρτήματος X43005-XJ).

Προσαρμογή πλέγματος απόσχισης (εικ. F & G)

- ◆ Εισαγάγετε το πλέγμα απόσχισης (14) στις υποδοχές του πεδίου με την εγκάρσια δοκό στραμμένη προς τα κάτω, όπως φαίνεται στην εικόνα F.
- ◆ Τοποθετήστε τη βίδα (15) στην οπή στη βάση του πεδίου.
- ◆ Ευθυγραμμίστε τη ράβδο σύσφιξης (16) επάνω από τη βίδα με στεφάνη, με την όψη προς τα κάτω και στραμμένη προς το πίσω μέρος του πριονιού.
- ◆ Χρησιμοποιώντας κατσαβίδι phillips, περάστε τη βίδα στη φρεζαρισμένη οπή της ράβδου σύσφιξης, όπως φαίνεται στην εικόνα G.
- ◆ Προσαρμόστε στο πλάτος κοπής και συσφίξτε τη βίδα.

Κυκλική διάτρησης (εικ. H - KS701E και KS701PE μόνο)

- ◆ Εισαγάγετε το πλέγμα απόσχισης στην υποδοχή στη δεξιά πλευρά του πεδίου με την εγκάρσια δοκό στραμμένη προς τα επάνω.
- ◆ Προσαρμόστε το πλέγμα απόσχισης έτσι ώστε η απόσταση από τη λάμα μέχρι την οπή της εγκάρσιας ράβδου να έχει την επιθυμητή ακτίνα και συσφίξτε τη βίδα.
- ◆ Τοποθετήστε το πριόνι έτσι ώστε το κέντρο της οπής στην εγκάρσια ράβδο να βρίσκεται επάνω από το κέντρο του κύκλου κοπής (εκτελέστε κοπή διάτρησης, διανοίξε μια οπή για τη λάμα ή κόψτε προς τα μέσα από το άκρο του υλικού για να τοποθετήσετε τη λάμα).
- ◆ Όταν το πριόνι έχει τοποθετηθεί σωστά, περάστε ένα μικρό καρφί από την οπή στην εγκάρσια ράβδο, στο ακριβές κέντρο του κύκλου της κοπής.
- ◆ Χρησιμοποιώντας το πλέγμα απόσχισης ως βραχίονα περιστροφής, ξεκινήστε να κόβετε κυκλικά.

Κοπή διάτρησης (εικ. I)

Η κοπή διάτρησης είναι μια εύκολη μέθοδος για την εκτέλεση εσωτερικής κοπής. Το πριόνι μπορεί να εισαχθεί απευθείας σε

ένα πλαίσιο ή σανίδα χωρίς πρώτα να διανοιχθεί οπή οδήγησης ή οδηγός. Στην τομή διάτρησης, μετρήστε την επιφάνεια προς κοπή και σημειώστε εμφανώς με μολύβι. Ακολουθώς, γείρετε το πριόνι προς τα εμπρός μέχρι το μπροστινό άκρο του πεδίου να ακουμπήσει σταθερά στην επιφάνεια εργασίας και η λάμα να διαπερνά το τεμάχιο εργασίας στην πλήρη διαδρομή της. Ενεργοποιήστε το εργαλείο και αφήστε το να επιτύχει τη μέγιστη ταχύτητά του. Πιάστε σταθερά το πριόνι και κατεβάστε το πίσω άκρο του εργαλείου αργά μέχρι η λάμα να φθάσει σε πλήρες βάθος. Κρατήστε το πέδιλο επίπεδο στο ξύλο και ξεκινήστε την κοπή. Μην μετακινήσετε τη λάμα από την κοπή ενώ κινείται ακόμη. Η λάμα πρέπει να σταματήσει τελείως.

Συντήρηση

Αυτό το εργαλείο της BLACK+DECKER έχει σχεδιαστεί έτσι ώστε να λειτουργεί για μεγάλο χρονικό διάστημα με την ελάχιστη δυνατή συντήρηση. Η αδιάλειπτη και ικανοποιητική λειτουργία εξαρτάται από τη σωστή φροντίδα του εργαλείου και τον τακτικό καθαρισμό του.

- ◆ Καθαρίζετε τακτικά τις εγκοπές εξαιρισμού του εργαλείου με μια μαλακή βούρτσα ή με ένα στεγνό πανί.
- ◆ Καθαρίζετε τακτικά το περίβλημα του μοτέρ με βρεγμένο πανί. Μη χρησιμοποιείτε οποιοδήποτε διαβρωτικό ή διαλυτικό καθαριστικό.
- ◆ Μην επιτρέψετε ποτέ να εισέλθει στο εργαλείο κάποιο υγρό και μη βυθίζετε το εργαλείο σε υγρά.

Προστασία του περιβάλλοντος



Χωριστή συλλογή. Τα προϊόντα και οι μπαταρίες που επισημαίνονται με αυτό το σύμβολο δεν πρέπει να απορρίπτονται μαζί με τα κανονικά οικιακά απορρίμματα.

Τα προϊόντα και οι μπαταρίες περιέχουν υλικά που μπορούν να ανακτηθούν ή να ανακυκλωθούν ώστε να μειωθούν οι ανάγκες για πρώτες ύλες.

Παρακαλούμε να ανακυκλώνετε τα ηλεκτρικά προϊόντα και τις μπαταρίες σύμφωνα με τους τοπικούς κανονισμούς. Περισσότερες πληροφορίες διατίθενται στον ιστότοπο www.2helpU.com

Τεχνικά χαρακτηριστικά

		KS501 (Τύπος 1)	KS701E (Τύπος 2)	KS701PE (Τύπος 2)
Τάση εισόδου	V_{AC}	230	230	230
Ισχύς εισόδου	W	400	520	520
Ταχύτητα χωρίς φορτίο	Min^{-1}	3,000	0-3,000	0-3,000
Μέγιστο βάθος κοπής				
Ξύλο	mm	65	70	70
Χάλυβας	mm	5	5	5
Αλουμίνιο	mm	10	15	15
Βάρος	kg	1.3	1.6	1.7

Στάθμη ηχητικής πίεσης σύμφωνα με το EN 62841:

Ηχητική πίεση (L_{pA}) 89 dB(A), αβεβαιότητα (K) 5 dB(A)

Ηχητική ισχύς (L_{wA}) 100 dB(A), αβεβαιότητα (K) 5 dB(A)

Οι συνολικές τιμές δόνησης (διανυσματικό άθροισμα τριών αξόνων) κατά EN 62841:

Κοπή μοριοσανίδας ($a_{h, B}$) 12,5 m/s^2 , αβεβαιότητα (K) 1,5 m/s^2

Κοπή μεταλλικού ελάσματος ($a_{h, M}$) 12,6 m/s^2 , αβεβαιότητα (K) 1,5 m/s^2

Δήλωση συμμόρφωσης ΕΚ ΟΔΗΓΙΑ ΠΕΡΙ ΜΗΧΑΝΗΜΑΤΩΝ



KS501, KS701E, KS701PE - σέγα

Η Black & Decker δηλώνει ότι τα προϊόντα αυτά που περιγράφονται στα "τεχνικά χαρακτηριστικά" συμμορφώνονται με τα ακόλουθα:
EN62841-1:2015, EN62841-2-11:2016

Αυτά τα προϊόντα συμμορφώνονται και με την Οδηγία 2006/42/ΕΚ, 2014/30/ΕΕ και 2011/65/ΕΕ.

Για περισσότερες πληροφορίες, επικοινωνήστε με την Black & Decker στην παρακάτω διεύθυνση ή να ανατρέξετε στο πίσω μέρος του εγχειριδίου.

Ο κάτωθι υπογεγραμμένος είναι υπεύθυνος για την κατάρτιση του τεχνικού φακέλου και δηλώνει τα παρόντα εκ μέρους της Black & Decker Europe.

A. Smith
Technical Director
Black & Decker Europe, 210 Bath Road, Slough,
Berkshire, SL1 3YD
Ηνωμένο Βασίλειο
22/01/2019

Εγγύηση

Η Black & Decker είναι σίγουρη για την ποιότητα των προϊόντων της και προσφέρει στους καταναλωτές εγγύηση 24 μηνών από την ημερομηνία αγοράς. Αυτή η εγγύηση συμπληρώνει και με κανένα τρόπο δεν παραβάλλει τα νόμιμα δικαιώματά σας. Η εγγύηση ισχύει εντός της επικράτειας των χωρών μελών της Ευρωπαϊκής Ένωσης και της Ευρωπαϊκής Ζώνης Ελευθέρων Συναλλαγών.

Για να υποβάλετε αξίωση βάσει της εγγύησης, η αξίωση θα πρέπει να είναι σύμφωνη με τους Όρους και προϋποθέσεις της Black & Decker και θα χρειαστεί να υποβάλετε απόδειξη αγοράς στον πωλητή ή σε εξουσιοδοτημένο αντιπρόσωπο επισκευών. Μπορείτε να αποκτήσετε τους Όρους και προϋποθέσεις της εγγύησης 2 ετών της Black & Decker και να μάθετε την τοποθεσία του πλησιέστερου εξουσιοδοτημένου αντιπροσώπου επισκευών στο Internet στο www.2helpU.com, ή επικοινωνώντας με το τοπικό σας γραφείο Black & Decker στη διεύθυνση που υποδεικνύεται στο παρόν εγχειρίδιο.

Παρακαλούμε επισκεφθείτε την ιστοσελίδα μας www.blackanddecker.gr για να καταχωρίσετε το νέο σας προϊόν Black & Decker και για να ενημερώνεστε για τα νέα προϊόντα και τις ειδικές προσφορές..

België/Belgique/Luxembourg www.blackanddecker.be enduser.be@sbdinc.com	Stanley Black & Decker Belgium BVBA Egide Walschaertsstraat 16 2800 Mechelen	Tel. NL +32 15 47 37 65 Tel. FR +32 15 47 37 66 Fax. +32 15 47 37 99
Danmark	Black & Decker Roskildevej 22 2620 Albertslund	kundeservice.dk@sbdinc.com www.blackanddecker.dk
Deutschland www.blackanddecker.de infobdgc@sbdinc.com	Stanley Black & Decker Deutschland GmbH Black & Decker Str. 40, D - 65510 Idstein	Tel. 06126 21-0 Fax 06126 21-2980
Ελλάδα www.blackanddecker.gr greece.service@sbdinc.com	Stanley Black & Decker (ΕΛΛΑΣ) Ε.Π.Ε ΓΡΑΦΕΙΑ: Σπύριδωνος 7 & Βουλιαγμένης 166 74 Γλυφάδα - Αθήνα	Τηλ. 210-8981616 Φαξ 210-8983570
SERVICE:	Ημερος Τόπος 2 -Χάνι Αδάμ 193 00 Ασπρόπυργος - Αθήνα	Τηλ. Service 210-8985208 Φαξ 210-5597598
España www.blackanddecker.es respuesta.posventa@sbdinc.com	Stanley Black & Decker Ibérica, S.C.A. Parc de Negocis "Mas Blau" Edificio Muntadas, c/Bergadà, 1, Of. A6 08820 El Prat de Llobregat (Barcelona)	Tel. 934 797 400 Fax 934 797 419
France www.blackanddecker.fr	Black & Decker (France) S.A.S. 5 allée des Hêtres B.P. 30084 69579 Limonest Cédex	Tel. 04 72 20 39 20 Fax 04 72 20 39 00
Helvetia www.blackanddecker.ch service@rofoag.ch	ROFO AG Gewerbezone Seeblick 3213 Kleinbödingen	Tel. 026-6749393 Fax 026-6749394
Italia www.blackanddecker.it service.italia@sbdinc.com	Stanley Black & Decker Italia Via Energypark 6 20871 Vimercate (MB)	Tel. 039-9590200 Fax 039-9590313 Numero verde 800-213935
Nederland www.blackanddecker.nl enduser.nl@sbdinc.com	Stanley Black & Decker Netherlands BV Holtum Noordweg 35, 6121 RE BORN Postbus 83, 6120 AB BORN	Tel. +31 164 283 065 Fax +31 164 283 200
Norge	Black & Decker Postboks 4613, Nydalen 0405 Oslo	kundeservice.no@sbdinc.com www.blackanddecker.no
Österreich www.blackanddecker.at service.austria@sbdinc.com	Stanley Black & Decker Austria GmbH Oberlaaerstraße 248, A-1230 Wien	Tel. 01 66116-0 Fax 01 66116-614
Portugal www.blackanddecker.pt resposta.posvenda@sbdinc.com	Black & Decker Limited SARL Quinta da Fonte - Edifício Q55 D. Diniz Rua dos Malhães, 2 e 2A - Piso 2 Esquerdo 2770 - 071 Paço de Arcos	Tel. 214667500 Fax 214667580
Suomi	Black & Decker PL47 00521, Helsinki	asiakaspalvelu.fi@sbdinc.com www.blackanddecker.fi
Sverige	Black & Decker AB Box 94, 431 22 Mölndal	kundservice.se@sbdinc.com www.blackanddecker.se
Türkiye www.blackanddecker.com.tr	KALE Hırdavat ve Makina A.Ş. Defferdar Mah. Savaklar Cad. No:15 Edimekapı / Eyüp / İstanbul 34050	Tel. 0212 533 52 55 Fax. 0212 533 10 05
United Kingdom & Republic Of Ireland www.blackanddecker.co.uk emeaservice@sbdinc.com	Black & Decker 210 Bath Road Slough, Berkshire SL1 3YD	Tel. 01753 511234 Fax 01753 512365
Middle East & Africa www.blackanddecker.ae service.mea@sbdinc.com	Black & Decker P.O.Box - 17164 Jebel Ali Free Zone (South), Dubai, UAE	Tel. +971 4 8863030 Fax +971 4 8863333