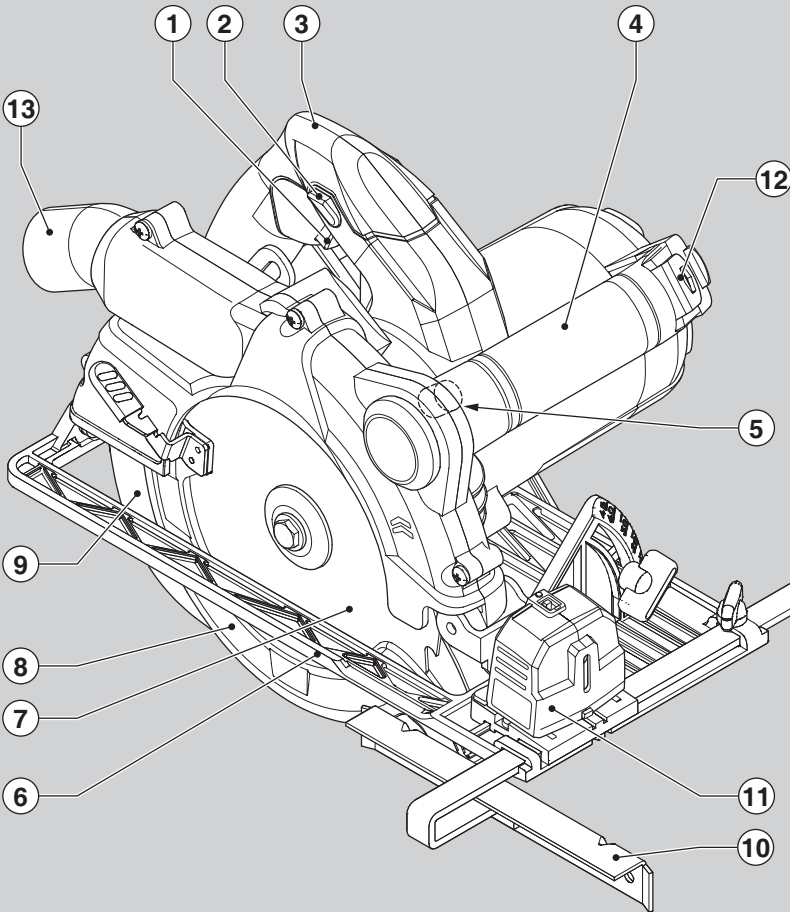


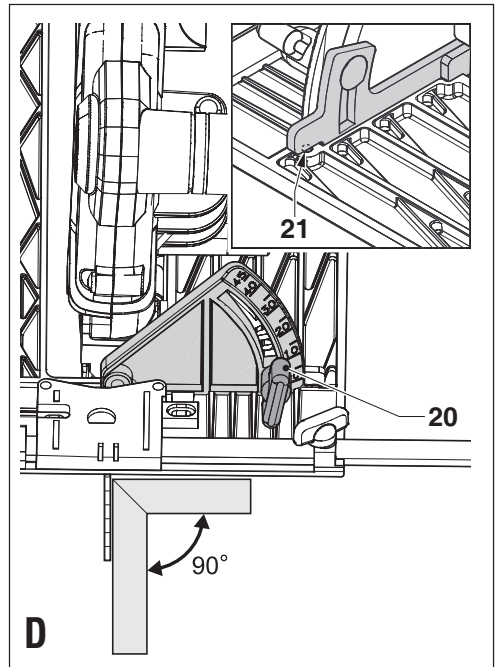
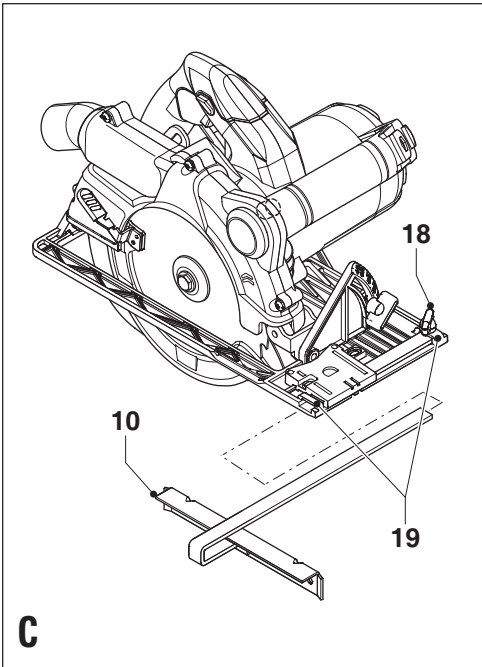
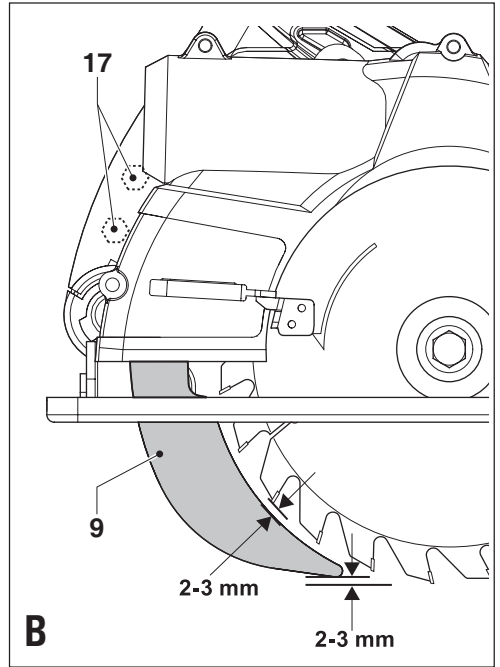
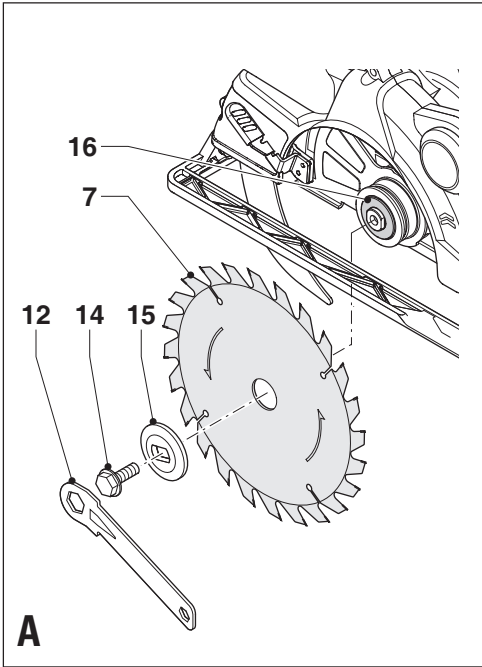
BLACK & DECKER®

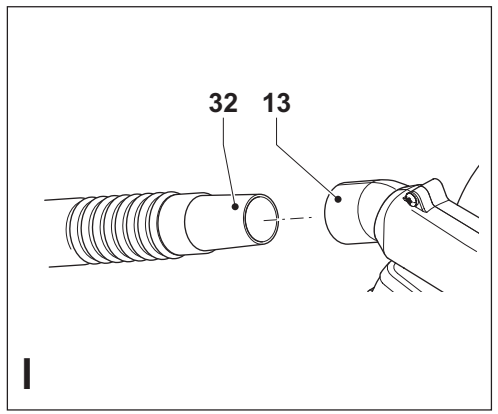
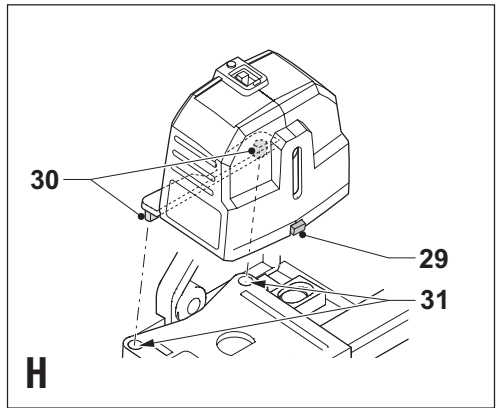
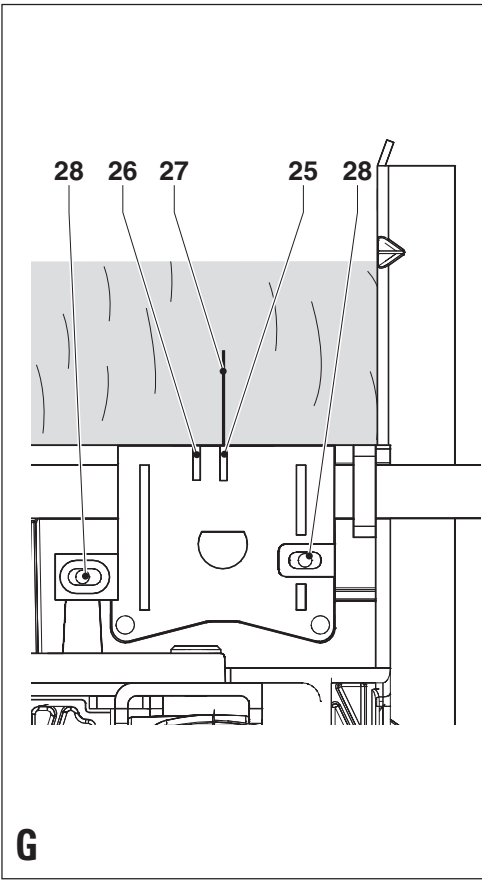
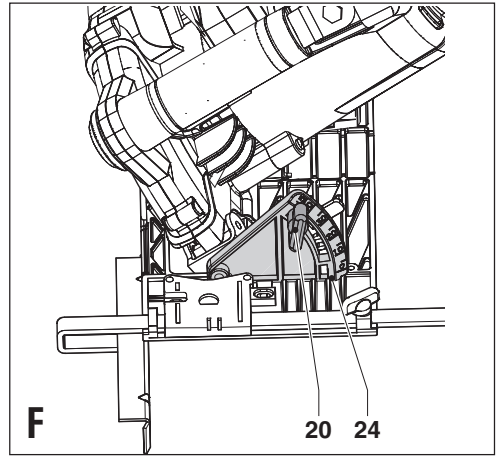
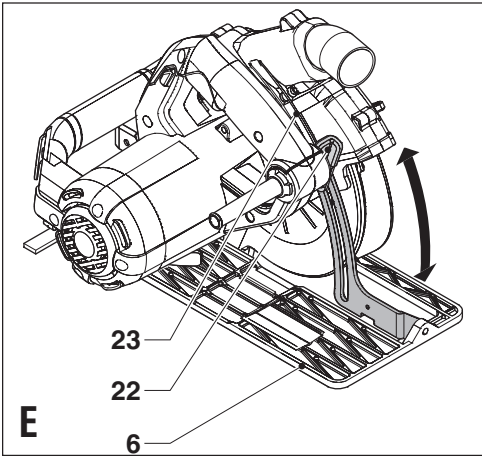
XT™

www.blackanddecker.com



English	4
Deutsch	10
Français	17
Italiano	24
Nederlands	31
Español	38
Português	45
Svenska	52
Norsk	58
Dansk	64
Suomi	70
Ελληνικά	76





Intended use

Your Black & Decker saw has been designed for sawing wood and wood products.

This tool is intended for consumer use only.

General safety rules

Warning! Read all instructions. Failure to follow all instructions listed below may result in electric shock, fire and/or serious injury. The term “power tool” in all of the warnings listed below refers to your mains operated (corded) power tool or battery operated (cordless) power tool.

SAVE THESE INSTRUCTIONS.

1. Work area

- a. **Keep work area clean and well lit.** Cluttered and dark areas invite accidents.
- b. **Do not operate power tools in explosive atmospheres, such as in the presence of flammable liquids, gases or dust.** Power tools create sparks which may ignite the dust or fumes.
- c. **Keep children and bystanders away while operating a power tool.** Distractions can cause you to lose control.

2. Electrical safety

- a. **Power tool plugs must match the outlet. Never modify the plug in any way. Do not use any adapter plugs with earthed (grounded) power tools.** Unmodified plugs and matching outlets will reduce risk of electric shock.
- b. **Avoid body contact with earthed or grounded surfaces such as pipes, radiators, ranges and refrigerators.** There is an increased risk of electric shock if your body is earthed or grounded.
- c. **Do not expose power tools to rain or wet conditions.** Water entering a power tool will increase the risk of electric shock.
- d. **Do not abuse the cord. Never use the cord for carrying, pulling or unplugging the power tool. Keep cord away from heat, oil, sharp edges or moving parts.** Damaged or entangled cords increase the risk of electric shock.
- e. **When operating a power tool outdoors, use an extension cord suitable for outdoor use.** Use of a cord suitable for outdoor use reduces the risk of electric shock.

3. Personal safety

- a. **Stay alert, watch what you are doing and use common sense when operating a power tool. Do not use a power tool while you are tired or under the influence of drugs, alcohol or medication.** A moment of inattention while operating power tools may result in serious personal injury.

b. Use safety equipment. Always wear eye protection.

Safety equipment such as dust mask, non-skid safety shoes, hard hat, or hearing protection used for appropriate conditions will reduce personal injuries.

- c. **Avoid accidental starting. Ensure the switch is in the off position before plugging in.** Carrying power tools with your finger on the switch or plugging in power tools that have the switch on invites accidents.
- d. **Remove any adjusting key or wrench before turning the power tool on.** A wrench or a key left attached to a rotating part of the power tool may result in personal injury.
- e. **Do not overreach. Keep proper footing and balance at all times.** This enables better control of the power tool in unexpected situations.
- f. **Dress properly. Do not wear loose clothing or jewellery. Keep your hair, clothing and gloves away from moving parts.** Loose clothes, jewellery or long hair can be caught in moving parts.
- g. **If devices are provided for the connection of dust extraction and collection facilities, ensure these are connected and properly used.** Use of these devices can reduce dust related hazards.

4. Power tool use and care

- a. **Do not force the power tool. Use the correct power tool for your application.** The correct power tool will do the job better and safer at the rate for which it was designed.
- b. **Do not use the power tool if the switch does not turn it on and off.** Any power tool that cannot be controlled with the switch is dangerous and must be repaired.
- c. **Disconnect the plug from the power source before making any adjustments, changing accessories, or storing power tools.** Such preventive safety measures reduce the risk of starting the power tool accidentally.
- d. **Store idle power tools out of the reach of children and do not allow persons unfamiliar with the power tool or these instructions to operate the power tool.** Power tools are dangerous in the hands of untrained users.
- e. **Maintain power tools. Check for misalignment or binding of moving parts, breakage of parts and any other condition that may affect the power tools operation. If damaged, have the power tool repaired before use.** Many accidents are caused by poorly maintained power tools.
- f. **Keep cutting tools sharp and clean.** Properly maintained cutting tools with sharp cutting edges are less likely to bind and are easier to control.

- g. Use the power tool, accessories and tool bits etc., in accordance with these instructions and in the manner intended for the particular type of power tool, taking into account the working conditions and the work to be performed.** Use of the power tool for operations different from those intended could result in a hazardous situation.

5. Service

- a. Have your power tool serviced by a qualified repair person using only identical replacement parts.** This will ensure that the safety of the power tool is maintained.

Safety instructions for all saws

Danger:

- ◆ **Keep hands away from cutting area and the blade. Keep your second hand on auxiliary handle, or motor housing.** If both hands are holding the saw, they cannot be cut by the blade.
- ◆ **Do not reach underneath the workpiece.** The guard cannot protect you from the blade below the workpiece.
- ◆ **Adjust the cutting depth to the thickness of the workpiece.** Less than a full tooth of the blade teeth should be visible below the workpiece.
- ◆ **Never hold piece being cut in your hands or across your leg. Secure the workpiece to a stable platform.** It is important to support the work properly to minimize body exposure, blade binding, or loss of control.
- ◆ **Hold power tool by insulated gripping surfaces when performing an operation where the cutting tool may contact hidden wiring or its own cord.** Contact with a “live” wire will also make exposed metal parts of the power tool “live” and shock the operator.
- ◆ **When ripping always use a rip fence or straight edge guide.** This improves the accuracy of cut and reduces the chance of blade binding.
- ◆ **Always use blades with correct size and shape (diamond versus round) of arbour holes.** Blades that do not match the mounting hardware of the saw will run eccentrically, causing loss of control.
- ◆ **Never use damaged or incorrect blade washers or bolt.** The blade washers and bolt were specially designed for your saw, for optimum performance and safety of operation.

Further safety instructions for all saws

Causes and operator prevention of kickback:

- kickback is a sudden reaction to a pinched, bound or misaligned saw blade, causing an uncontrolled saw to lift up and out of the workpiece toward the operator;

- when the blade is pinched or bound tightly by the kerf closing down, the blade stalls and the motor reaction drives the unit rapidly back toward the operator;
- if the blade becomes twisted or misaligned in the cut, the teeth at the back edge of the blade can dig into the top surface of the wood causing the blade to climb out of the kerf and jump back toward the operator.

Kickback is the result of saw misuse and/or incorrect operating procedures or conditions and can be avoided by taking proper precautions as given below.

- ◆ **Maintain a firm grip with both hands on the saw and position your arms to resist kickback forces. Position your body to either side of the blade, but not in line with the blade.** Kickback could cause the saw to jump backwards, but kickback forces can be controlled by the operator, if proper precautions are taken.
- ◆ **When blade is binding, or when interrupting a cut for any reason, release the trigger and hold the saw motionless in the material until the blade comes to a complete stop. Never attempt to remove the saw from the work or pull the saw backward while the blade is in motion or kickback may occur.** Investigate and take corrective actions to eliminate the cause of blade binding.
- ◆ **When restarting a saw in the workpiece, centre the saw blade in the kerf and check that saw teeth are not engaged into the material.** If saw blade is binding, it may walk up or kickback from the workpiece as the saw is restarted.
- ◆ **Support large panels to minimise the risk of blade pinching and kickback.** Large panels tend to sag under their own weight. Supports must be placed under the panel on both sides, near the line of cut and near the edge of the panel.
- ◆ **Do not use dull or damaged blades.** Unsharpened or improperly set blades produce narrow kerf causing excessive friction, blade binding and kickback.
- ◆ **Blade depth and bevel adjusting locking levers must be tight and secure before making cut.** If blade adjustment shifts while cutting, it may cause binding and kickback.
- ◆ **Use extra caution when making a “plunge cut” into existing walls or other blind areas.** The protruding blade may cut objects that can cause kickback.

Safety instructions for saws with a pendulum blade guard

- ◆ **Check lower guard for proper closing before each use. Do not operate the saw if lower guard does not move freely and close instantly. Never clamp or tie the lower guard into the open position.** If saw is accidentally dropped, lower guard may be bent. Raise the lower guard with the retracting handle and make sure it moves freely and does not touch the blade or any other part, in all angles and depths of cut.
- ◆ **Check the operation of the lower guard spring. If the guard and the spring are not operating properly, they must be serviced before use.** Lower guard may operate sluggishly due to damaged parts, gummy deposits, or a build-up of debris.
- ◆ **Lower guard should be retracted manually only for special cuts such as “plunge cuts” and “compound cuts.” Raise lower guard by retracting handle and as soon as blade enters the material, the lower guard must be released.** For all other sawing, the lower guard should operate automatically.
- ◆ **Always observe that the lower guard is covering the blade before placing saw down on bench or floor.** An unprotected, coasting blade will cause the saw to walk backwards, cutting whatever is in its path. Be aware of the time it takes for the blade to stop after switch is released.

Additional safety instructions for all saws with riving knife

- ◆ **Use the appropriate riving knife for the blade being used.** For the riving knife to work, it must be thicker than the body of the blade but thinner than the tooth set of the blade.
- ◆ **Adjust the riving knife as described in this instruction manual.** Incorrect spacing, positioning and alignment can make the riving knife ineffective in preventing kickback.
- ◆ **Always use the riving knife except when plunge cutting.** Riving knife must be replaced after plunge cutting. Riving knife causes interference during plunge cutting and can create kickback.
- ◆ **For the riving knife to work, it must be engaged in the workpiece.** The riving knife is ineffective in preventing kickback during short cuts.
- ◆ **Do not operate the saw if riving knife is bent.** Even a light interference can slow the closing rate of a guard.

Additional safety instructions for circular saws

- ◆ Wear ear protectors. Exposure to noise can cause hearing loss.
- ◆ Preferably wear a dust mask.

- ◆ Do not use blades of larger or smaller diameter than recommended. For the proper blade rating refer to the technical data. Use only the blades specified in this manual, complying with EN 847-1.
- ◆ Never use abrasive cut-off wheels.

Electrical safety



This tool is double insulated; therefore no earth wire is required. Always check that the power supply corresponds to the voltage on the rating plate.

- ◆ This appliance is not intended for use by young or infirm persons without supervision. Children must be supervised to ensure they do not play with the appliance.
- ◆ If the supply cord is damaged, it must be replaced by the manufacturer or an authorised Black & Decker Service Centre in order to avoid a hazard.

Overview

1. On/off switch
2. Lock-off button
3. Main handle
4. Secondary handle
5. Spindle lock button
6. Shoe
7. Saw blade
8. Saw blade guard
9. Riving knife
10. Parallel fence
11. Laser unit
12. Saw blade spanner
13. Dust extraction outlet

Assembly

Warning! Before assembly, make sure that the tool is switched off and unplugged and that the saw blade has stopped.

Removing and fitting a saw blade (fig. A)

Removing

- ◆ Keep the spindle lock button (5) depressed and rotate the blade until the spindle lock engages.
- ◆ Loosen and remove the blade retaining screw (14) by turning it counterclockwise using the spanner (12) supplied.
- ◆ Remove the outer washer (15).
- ◆ Remove the saw blade (7).

Fitting

- ◆ Place the saw blade onto the inner flange (16), making sure that the arrow on the blade points in the same direction as the arrow on the tool.

- ◆ Fit the outer washer (15) on the spindle, with the raised part pointing away from the saw blade.
- ◆ Insert the blade retaining screw (14) into the hole.
- ◆ Keep the spindle lock button (5) depressed.
- ◆ Securely tighten the blade retaining screw by turning it clockwise using the spanner (12) supplied.
- ◆ Adjust the riving knife as described below.

Adjusting the riving knife (fig. B)

The riving knife prevents the saw blade from jamming during rip sawing operations. The riving knife must be adjusted after replacing the saw blade.

- ◆ Loosen the screws (17), using the spanner (12), while holding the riving knife in position. You will need to reduce the depth of cut to obtain access to the screws.
- ◆ Position the riving knife (9) as shown.
- ◆ The distance between the toothed rim and the riving knife should be 2 - 3 mm.
- ◆ The height difference between the toothed rim and the lower end of the riving knife should be 2 - 3 mm.
- ◆ Tighten the screws.

Fitting and removing the parallel fence (fig. C)

- ◆ The parallel fence is used to saw in a straight line parallel to the edge of the workpiece.

Fitting

- ◆ Loosen the locking knob (18).
- ◆ Insert the parallel fence (10) through the openings (19).
- ◆ Slide the parallel fence into the desired position.
- ◆ Tighten the locking knob.

Removing

- ◆ Loosen the locking knob.
- ◆ Pull the parallel fence out of the tool.

Use

Warning! Let the tool work at its own pace. Do not overload.

This tool can be used in the right hand or the left hand.

Adjusting the blade angle (fig. D)

The default angle between the saw blade and the shoe is 90°.

- ◆ Use a square to check that the angle between the saw blade and the shoe is 90°. If the angle does not measure 90° adjust as follows:
- ◆ Loosen the locking knob (20) to unlock the saw shoe.
- ◆ Screw the adjusting screw (21) in or out to achieve a 90° angle.
- ◆ Tighten the locking knob to lock the saw shoe in place.

Adjusting the depth of cut (fig. E)

The depth of cut should be set according to the thickness of the workpiece. It should exceed the thickness by approx. 2 mm.

- ◆ Loosen the lever (22) to unlock the saw shoe.
- ◆ Move the saw shoe (6) into the desired position. The corresponding depth of cut can be read from the scale (23).
- ◆ Tighten the lever to lock the saw shoe in place.

Adjusting the bevel angle (fig. F)

This tool can be set to bevel angles between 0° and 45°.

- ◆ Loosen the locking knob (20) to unlock the saw shoe.
- ◆ Move the saw shoe (6) into the desired position. The corresponding bevel angle can be read from the scale (24).
- ◆ Tighten the locking knob to lock the saw shoe in place.

Switching on and off

- ◆ To switch the tool on, move the lock-off button (2) into the unlock position and squeeze the on/off switch (1).
- ◆ To switch the tool off, release the on/off switch.

Sawing

Always hold the tool with both hands.

- ◆ Let the blade run freely for a few seconds before starting the cut.
- ◆ Apply only a gentle pressure to the tool while performing the cut.
- ◆ Work with the shoe pressed against the workpiece.

Hints for optimum use

- ◆ As some splintering along the line of cut on the top side of the workpiece cannot be avoided, cut on the side where splintering is acceptable.
- ◆ Where splintering is to be minimised, e.g. when cutting laminates, clamp a piece of plywood onto the top of the workpiece.

Using the sight guide (fig. G)

The tool is equipped with a sight guide for straight cutting (25) and for 45° mitre cutting (26).

- ◆ Adjust the sight guide as described below.
- ◆ Align the left edge of the guides (25) or (26) with the cutting line (27).
- ◆ Keep the sight guide aligned with the cutting line while sawing.
- ◆ Work with the shoe pressed against the workpiece.

Adjusting the sight guide

- ◆ Make a test cut halfway through a piece of scrap wood.
- ◆ Withdraw the saw so the cutting line (27) becomes visible.
- ◆ While keeping the saw in this position, loosen the sight guide on the saw shoe as shown.

- ◆ Align the 0° mark (25) on the sight guide with the cutting line (27). When adjusting for 45° mitre cuts, align the 45° mark (26) on the sight guide with the cutting line.
- ◆ Secure the sight guide using the screws (28).

How to use the laser (fig. H)

Viewing from directly above the saw, the line of cut can be easily followed. Should this view be restricted for any reason, the laser can be used as an alternate cutting guide.

Before installing the laser unit, the front foot (29) must be retracted.

- ◆ Place the unit onto the sight guide.
- ◆ Push the rear feet (30) into the corresponding holes (31).
- ◆ Position the saw over the cutting line.
- ◆ Switch on the laser.

Also refer to the manual of the laser unit.

Dust extraction (fig. I)

The dust extraction outlet allows you to connect a vacuum cleaner to the tool.

- ◆ Connect the hose (11) of the vacuum cleaner to the outlet (13).

Maintenance

Your tool has been designed to operate over a long period of time with a minimum of maintenance. Continuous satisfactory operation depends upon proper tool care and regular cleaning.

Warning! Before performing any maintenance, switch off and unplug the tool.

- ◆ Regularly clean the ventilation slots in your tool using a soft brush or dry cloth.
- ◆ Regularly clean the motor housing using a damp cloth. Do not use any abrasive or solvent-based cleaner.

Mains plug replacement (U.K. & Ireland only)

If a new mains plug needs to be fitted:

- ◆ Safely dispose of the old plug.
- ◆ Connect the brown lead to the live terminal in the new plug.
- ◆ Connect the blue lead to the neutral terminal.

Warning! No connection is to be made to the earth terminal.

Follow the fitting instructions supplied with good quality plugs. Recommended fuse: 13 A.

Protecting the environment



Separate collection. This product must not be disposed of with normal household waste.

Should you find one day that your Black & Decker product needs replacement, or if it is of no further use to you, do not dispose of it with household waste. Make this product available for separate collection.



Separate collection of used products and packaging allows materials to be recycled and used again.

Re-use of recycled materials helps prevent environmental pollution and reduces the demand for raw materials.

Local regulations may provide for separate collection of electrical products from the household, at municipal waste sites or by the retailer when you purchase a new product.

Black & Decker provides a facility for the collection and recycling of Black & Decker products once they have reached the end of their working life. To take advantage of this service please return your product to any authorised repair agent who will collect them on our behalf.

You can check the location of your nearest authorised repair agent by contacting your local Black & Decker office at the address indicated in this manual. Alternatively, a list of authorised Black & Decker repair agents and full details of our after-sales service and contacts are available on the Internet at: www.2helpU.com

Technical data

	XTS1660	
Input voltage	V _{AC}	230
Power input	W	1,600
No-load speed	min ⁻¹	5,000
Max. depth of cut	mm	65
Blade diameter	mm	190
Blade bore	mm	16
Blade tip width	mm	2.2
Weight	kg	5.8

EC declaration of conformity

XTS1660

Black & Decker declares that these products conform to:
98/37/EC, 89/336/EEC, EN 60745, EN 55014, EN 61000

L_{pA} (sound pressure) 102 dB(A), L_{WA} (acoustic power) 113 dB(A),
hand/arm weighted vibration 1,92 m/s²

K_{pA} (sound pressure uncertainty) 3 dB(A),
 K_{WA} (acoustic power uncertainty) 3 dB(A)



Kevin Hewitt
Director of Consumer Engineering
Spennymoor, County Durham DL16 6JG,
United Kingdom
1-1-2006

Guarantee

Black & Decker is confident of the quality of its products and offers an outstanding guarantee. This guarantee statement is in addition to and in no way prejudices your statutory rights. The guarantee is valid within the territories of the Member States of the European Union and the European Free Trade Area.



If a Black & Decker XT product (excluding accessories, attachments, batteries, chargers and chucks) becomes defective due to faulty materials, workmanship or lack of conformity within 3 years from the date of purchase, Black & Decker guarantees to replace all defective parts, repair products subject to fair wear and tear or replace such products, provided that the product is registered on the Black & Decker XT warranty website within 90 days of purchase. If the product is not registered, then only the standard warranty (2 years) applies.

The warranty does not apply if:

- ◆ The product has been used for trade, professional or hire purposes;
- ◆ The product has been subjected to misuse or neglect;
- ◆ The product has sustained damage through foreign objects, substances or accidents;
- ◆ Repairs have been attempted by unauthorised persons;
- ◆ The product has been adapted in any way from its original specification;
- ◆ Unsuitable accessories or attachments have been used.

The extended warranty does not apply if:

- ◆ Proof of purchase and the original extended warranty certificate is not produced.

Register your product on-line now at

www.blackanddecker.co.uk/xt to qualify for the extended warranty (3 years), and to be kept up to date on new products and special offers.

To claim on the guarantee, you will need to submit proof of purchase to the seller or an authorised repair agent. You can check the location of your nearest authorised repair agent by contacting your local Black & Decker office at the address indicated in this manual. Alternatively, a list of authorised Black & Decker repair agents and full details of our after-sales service and contacts are available on the Internet at: www.2helpU.com

Further information on the Black & Decker brand and our range of products is available at www.blackanddecker.co.uk

Bestimmungsgemäße Verwendung

Ihre Black & Decker Säge wurde zum Sägen von Holz und Holzprodukten entwickelt.
Dieses Gerät ist nicht für den gewerblichen Einsatz vorgesehen.

Allgemeine Sicherheitsregeln

Achtung! Sämtliche Anweisungen sind zu lesen.
Die Nichteinhaltung der nachstehend aufgeführten Anweisungen kann elektrischen Schlag, Brand und/oder schwere Verletzungen verursachen. Der nachfolgend verwendete Begriff "Gerät" bezieht sich auf netzbetriebene Geräte (mit Netzkabel) und auf akkubetriebene Geräte (ohne Netzkabel).
BEWAHREN SIE DIESE ANWEISUNGEN AUF.

1. Arbeitsbereich

- a. **Halten Sie Ihren Arbeitsbereich sauber und gut ausgeleuchtet.** Unordnung und dunkle Arbeitsbereiche können zu Unfällen führen.
- b. **Arbeiten Sie mit Geräten nicht in explosionsgefährdeter Umgebung, in der sich brennbare Flüssigkeiten, Gase oder Stäube befinden.** Geräte erzeugen Funken, die den Staub oder die Dämpfe entzünden können.
- c. **Halten Sie Kinder und andere Personen während der Benutzung des Gerätes fern.** Bei Ablenkung können Sie die Kontrolle verlieren.

2. Elektrische Sicherheit

- a. **Der Anschlußstecker des Gerätes muß in die Steckdose passen. Der Stecker darf in keiner Weise verändert werden. Verwenden Sie keine Adapterstecker gemeinsam mit schutzgeerdeten Geräten.** Unveränderte Stecker und passende Steckdosen verringern das Risiko eines elektrischen Schlages.
- b. **Vermeiden Sie Körperkontakt mit geerdeten Oberflächen von Rohren, Heizungen, Herden und Kühlschränken.** Es besteht ein erhöhtes Risiko eines elektrischen Schlags, wenn Ihr Körper geerdet ist.
- c. **Halten Sie Geräte von Regen und Nässe fern.** Das Eindringen von Wasser in ein Gerät erhöht das Risiko eines elektrischen Schlages.
- d. **Missbrauchen Sie nicht das Kabel. Verwenden Sie das Kabel niemals zum Tragen, Ziehen oder Trennen des Gerätes vom Netz. Halten Sie das Kabel fern von Hitze, Öl, scharfen Kanten oder sich bewegenden Teilen.** Beschädigte oder verwickelte Kabel erhöhen das Risiko eines elektrischen Schlages.
- e. **Wenn Sie mit einem Gerät im Freien arbeiten, verwenden Sie nur Verlängerungskabel, die auch für den Außenbereich zugelassen sind.** Die Verwendung eines für den Außenbereich geeigneten Verlängerungskabels verringert das Risiko eines elektrischen Schlages.

3. Sicherheit von Personen

- a. **Seien Sie aufmerksam, achten Sie darauf, was Sie tun, und gehen Sie vernünftig mit einem Gerät um. Benutzen Sie das Gerät nicht, wenn Sie müde sind oder unter dem Einfluß von Drogen, Alkohol oder Medikamenten stehen.** Ein Moment der Unachtsamkeit beim Gebrauch von Geräten kann zu ernsthaften Verletzungen führen.
- b. **Verwenden Sie Schutzausrüstung. Tragen Sie stets einen Augenschutz.** Schutzausrüstung wie Staubmaske, rutschfeste Sicherheitsschuhe, Schutzhelm oder Gehörschutz, je nach Art und Einsatz des Gerätes, verringert das Risiko von Verletzungen.
- c. **Vermeiden Sie eine unbeabsichtigte Inbetriebnahme. Stellen Sie sicher, daß sich der Schalter in der Aus-Stellung befindet, bevor das Gerät mit dem Netz verbunden wird.** Durch das Tragen des Gerätes mit dem Finger am Schalter oder durch das Verbinden eingeschalteter Geräte werden Unfälle provoziert.
- d. **Entfernen Sie EinstellGeräte oder Schraubenschlüssel, bevor Sie das Gerät einschalten.** Ein Gerät oder Schlüssel, der sich in einem drehenden Teil befindet, kann zu Verletzungen führen.
- e. **Nicht zu weit nach vorne strecken! Achten Sie auf einen sicheren Stand, um in jeder Arbeitsposition das Gleichgewicht zu halten.** Dadurch können Sie das Gerät in unerwarteten Situationen besser unter Kontrolle halten.
- f. **Tragen Sie geeignete Kleidung. Tragen Sie keine weite Kleidung oder Schmuck. Halten Sie Haare, Kleidung und Handschuhe fern von sich bewegenden Teilen.** Lockere Kleidung, Schmuck oder lange Haare können von sich bewegenden Teilen erfaßt werden.
- g. **Falls Staubabsaug- und -fangvorrichtungen vorhanden sind, vergewissern Sie sich, daß diese angeschlossen sind und richtig verwendet werden.** Das Verwenden dieser Einrichtungen verringert Gefährdungen durch Staub.

4. Gebrauch und Pflege von Geräten

- a. **Überlasten Sie das Gerät nicht. Verwenden Sie für Ihre Arbeit das dafür bestimmte Gerät.** Mit dem passenden Gerät arbeiten Sie besser und sicherer im angegebenen Leistungsbereich.
- b. **Benutzen Sie kein Gerät, dessen Schalter defekt ist.** Ein Gerät, das sich nicht mehr ein- oder ausschalten läßt, ist gefährlich und muß repariert werden.
- c. **Ziehen Sie den Stecker aus der Steckdose, bevor Sie Einstellungen vornehmen, Zubehörteile wechseln oder das Gerät weglegen.** Diese Vorsichtsmaßnahme verhindert den unbeabsichtigten Start des Gerätes.

- d. **Bewahren Sie unbenutzte Geräte außerhalb der Reichweite von Kindern auf. Lassen Sie Geräte nicht von Personen benutzen, die damit nicht vertraut sind oder diese Anweisungen nicht gelesen haben.** Geräte sind gefährlich, wenn Sie von unerfahrenen Personen benutzt werden.
 - e. **Halten Sie Geräte in einem einwandfreien Zustand. Kontrollieren Sie, ob bewegliche Teile falsch ausgerichtet sind oder klemmen und ob Teile gebrochen oder so beschädigt sind, daß die Funktion des Gerätes beeinträchtigt ist. Lassen Sie beschädigte Geräte vor dem Gebrauch reparieren.** Viele Unfälle haben ihre Ursache in schlecht gewarteten Geräten.
 - f. **Halten Sie Schneidgeräte scharf und sauber.** Sorgfältig gepflegte Schneidgeräte mit scharfen Schneidkanten verkleben sich weniger und sind leichter zu führen.
 - g. **Verwenden Sie Gerät, Zubehör, Einsatz-Bits, usw. entsprechend diesen Anweisungen und so, wie es für diesen speziellen Gerätetyp vorgeschrieben ist. Berücksichtigen Sie dabei die Arbeitsbedingungen und die auszuführende Arbeit.** Der Gebrauch von Geräten für andere als die vorgesehenen Anwendungen kann zu gefährlichen Situationen führen.
5. **Service**
- a. **Lassen Sie Ihr Gerät nur von qualifiziertem Fachpersonal und nur mit Original-Ersatzteilen reparieren.** Damit wird gewährleistet, daß die Sicherheit des Gerätes erhalten bleibt.

Sicherheitsanweisungen für alle Sägen

Achtung - Gefahr:

- ◆ **Halten Sie Ihre Hände vom Sägebereich und dem Sägeblatt fern. Halten Sie die andere Hand am Zusatzgriff oder dem Motorgehäuse.** Wenn Sie die Säge mit beiden Händen halten, so kann das Sägeblatt keine Verletzungen an den Händen verursachen.
- ◆ **Greifen Sie niemals unter das Werkstück.** Die Schutzvorrichtung kann Sie nicht vor dem Sägeblatt unterhalb des Werkstücks schützen.
- ◆ **Stellen Sie die Schnitttiefe auf die Dicke des Werkstücks ein.** Es sollte weniger als ein ganzer Zahn der Sägeblattzähne unter dem Werkstück sichtbar sein.
- ◆ **Halten Sie das zu schneidende Werkstück niemals in den Händen oder auf dem Bein. Sichern Sie das Werkstück auf einer stabilen Plattform.** Es ist wichtig, das Werkstück richtig abzustützen, damit Ihr Körper geschützt wird, das Sägeblatt nicht festklemmt und Sie die Kontrolle behalten.
- ◆ **Halten Sie das Elektrowerkzeug an den isolierten Griffflächen, wenn Arbeiten durchgeführt werden, bei denen das Schneidewerkzeug versteckte Leitungen oder die eigene Anschlußleitung berühren könnte.** Ein Kontakt mit einer spannungsführenden Leitung setzt auch die freiliegenden Metallteile des Elektrowerkzeugs unter Spannung und der Benutzer erleidet einen Stromschlag.
- ◆ **Verwenden Sie bei Längsschnitten stets einen Längsschnitt-Anschlag bzw. eine gerade Kantenföhrung.** Dadurch wird die Schnittgenauigkeit verbessert und die Gefahr des Festklemmens des Sägeblatts verringert.
- ◆ **Verwenden Sie stets Sägeblätter der richtigen Größe und Form (Diamant kontra rund) der Wellenbohrungen.** Sägeblätter, die nicht zu den Befestigungsteilen der Säge passen, laufen exzentrisch, was zu einem Kontrollverlust führt.
- ◆ **Verwenden Sie niemals beschädigte oder falsche Unterlegscheiben oder einen beschädigten oder falschen Bolzen für das Sägeblatt.** Die Unterlegscheiben und der Bolzen für das Sägeblatt wurden speziell für Ihre Säge konstruiert, so daß eine optimale Leistung und Betriebssicherheit erzielt wird.

Weitere Sicherheitsanweisungen für alle Sägen

Ursachen von Rückschlägen und deren Verhinderung seitens des Benutzers:

- Ein Rückschlag ist die plötzliche Reaktion auf ein eingeklemmtes, hängendes oder falsch ausgerichtetes Sägeblatt. Dies führt dazu, daß sich die Säge unkontrolliert nach oben und aus dem Werkstück in Richtung Benutzer herausbewegt.
- Falls das Sägeblatt eingeklemmt wird oder durch den Schlitz hängen bleibt, so wird das Sägeblatt festgebremst, und durch die Reaktion des Motors wird die Einheit rasch zum Benutzer zurückgeschneilt.
- Falls das Sägeblatt verdreht oder im Schnitt falsch ausgerichtet wird, so können sich die Zähne an der Hinterkante des Sägeblatts in die Oberfläche des Holzes graben, wodurch das Sägeblatt aus dem Schlitz "herausklettert" und in Richtung Benutzer zurückschnellt.

Ein Rückschlag ist das Resultat eines Mißbrauchs und/oder einer falschen Bedienung der Säge oder falscher Bedingungen und kann durch die entsprechenden unten angegebenen Vorsichtsmaßnahmen vermieden werden.

- ◆ **Halten Sie die Säge mit beiden Händen sicher fest und halten Sie Ihre Arme so, daß sie den Rückschlagkräften widerstehen können. Positionieren Sie Ihren Körper auf einer der beiden Seiten des Sägeblatts, jedoch nicht in einer Reihe zum Sägeblatt.** Ein Rückschlag kann dazu führen, daß die Säge zurückschnellt; die Rückschlagkräfte können jedoch vom Bediener unter Kontrolle gehalten werden, wenn entsprechende Vorsichtsmaßnahmen getroffen werden.
- ◆ **Falls das Sägeblatt hängt oder der Schnitt aus irgendeinem anderen Grund unterbrochen wird, lassen Sie den Auslöser los und lassen Sie die Säge bewegungslos im Material, bis das Sägeblatt vollkommen zum Stillstand gekommen ist. Versuchen Sie niemals, das Sägeblatt aus dem Werkstück zu entfernen oder nach hinten zu ziehen, während das Sägeblatt in Bewegung ist, da dies zu einem Rückschlag führen kann.** Untersuchen Sie den Fall und treffen Sie Abhilfemaßnahmen, um die Ursache des Hängens des Sägeblatts zu beseitigen.
- ◆ **Wird eine Säge im Werkstück wieder in Betrieb genommen, zentrieren Sie das Sägeblatt im Schlitz und vergewissern Sie sich, daß sie Sägeblattzähne nicht in das Material eingreifen.** Hängt das Sägeblatt, so wandert es möglicherweise nach oben oder es findet beim erneuten Einschalten ein Rückschlag aus dem Werkstück statt.
- ◆ **Stützen Sie große Platten ab, damit das Sägeblatt nicht eingeklemmt wird und kein Rückschlag entsteht.** Große Platten haben die Tendenz, durch ihr Eigengewicht durchzusacken. Unter der Platte in der Nähe der Schnittlinie und in der Nähe der Plattenkante müssen auf beiden Seiten Stützen plaziert werden.
- ◆ **Verwenden Sie keine stumpfen oder beschädigten Sägeblätter.** Stumpfe oder nicht richtig eingestellte Sägeblätter führen zu einem engen Sägeschlitz, was wiederum zu übermäßiger Reibung, einem Hängen des Sägeblatts und zu Rückschlägen führt.
- ◆ **Die Sicherungshebel für die Sägeblatttiefe und –neigung müssen fest und gesichert sein, bevor der Schnitt durchgeführt wird.** Falls sich die Einstellung des Sägeblatts während des Schnitts verschiebt, so kann dies zu einem Hängen und Rückschlägen führen.

- ◆ **Gehen Sie besonders vorsichtig vor, wenn ein "Einstechnschnitt" in vorhandene Wände oder andere blinde Bereiche durchgeführt wird.** Das hervorstehende Sägeblatt kann Gegenstände durchtrennen und zu Rückschlägen führen.

Sicherheitsanweisungen für Sägen mit einem Pendel-Sägeblattschutz

- ◆ **Vergewissern Sie sich vor jedem Gebrauch, daß die untere Schutzvorrichtung richtig schließt. Betreiben Sie die Säge nicht, falls sich die untere Schutzvorrichtung nicht ungehindert bewegt und sich nicht sofort schließt. Spannen oder binden Sie die untere Schutzvorrichtung niemals in der geöffneten Stellung fest.** Wird die Säge versehentlich fallengelassen, so kann sich die untere Schutzvorrichtung verbiegen. Heben Sie die untere Schutzvorrichtung am Einzugshebel an und vergewissern Sie sich, daß sie sich ungehindert bewegt und nicht das Sägeblatt oder andere Teile berührt. Dies gilt für alle Winkel und Schnittiefen.
- ◆ **Überprüfen Sie die Funktion der Feder für die untere Schutzvorrichtung. Falls Schutzvorrichtung und Feder nicht einwandfrei funktionieren, so müssen diese Teile vor dem Gebrauch instandgesetzt werden.** Möglicherweise arbeitet die untere Schutzvorrichtung aufgrund beschädigter Teile, Harzablagerungen oder einer Ansammlung von Spänen schwergängig.
- ◆ **Die untere Schutzvorrichtung darf nur für Spezialschnitte wie "Einstechnschnitte" und "Verbundschnitte" von Hand eingezogen werden. Heben Sie die untere Schutzvorrichtung an, indem Sie den Einzugshebel einfahren, und sobald das Sägeblatt in das Werkstück eintritt, muß die untere Schutzvorrichtung freigegeben werden.** Bei allen anderen Sägearbeiten muß die untere Schutzvorrichtung automatisch arbeiten.
- ◆ **Achten Sie stets darauf, daß die untere Schutzvorrichtung das Sägeblatt abdeckt, bevor die Säge auf der Werkbank oder dem Boden abgesetzt wird.** Ein ungeschütztes, noch auslaufendes Sägeblatt führt dazu, daß die Säge zurückschnellt und alles durchtrennt, was sich im Sägebereich befindet. Seien Sie sich darüber im Klaren, daß es einige Zeit dauert, bis das Sägeblatt zum Stillstand kommt, nachdem der Schalter losgelassen wurde.

Zusätzliche Sicherheitsanweisungen für alle Sägen mit Spaltkeil

- ◆ **Benutzen Sie für das zu verwendende Sägeblatt den entsprechenden Spaltkeil.** Damit der Spaltkeil richtig funktioniert, muß er dicker als der Körper des Sägeblatts sein, jedoch dünner als der Zahnsatz des Sägeblatts.

- ◆ **Stellen Sie den Spaltkeil gemäß Beschreibung in dieser Bedienungsanleitung ein.** Ein falscher Abstand, eine falsche Positionierung oder eine falsche Ausrichtung können den Spaltkeil bei der Verhinderung von Rückschlägen unwirksam machen.
- ◆ **Verwenden Sie stets den Spaltkeil, es sei denn, es handelt sich um Einstechschnitte.** Der Spaltkeil muß nach einem Einstechschnitt wieder angebracht werden. Der Spaltkeil stellt bei Einstechschnitten eine Behinderung dar und kann zu Rückschlägen führen.
- ◆ **Damit der Spaltkeil richtig funktioniert, muß er in das Werkstück eingreifen.** Bei kurzen Schnitten ist der Spaltkeil zur Verhinderung von Rückschlägen unwirksam.
- ◆ **Betreiben Sie die Säge nicht, wenn der Spaltkeil verbogen ist.** Selbst eine nur leichte Behinderung kann die Schließgeschwindigkeit einer Schutzvorrichtung verlangsamen.

7. Sägeblatt
8. Sägeblatt-Schutzvorrichtung
9. Spaltkeil
10. Parallelanschlag
11. Lasereinheit
12. Sägeblattschlüssel
13. Staubabsaugauslaß

Montage

Achtung! Vergewissern Sie sich vor der Montage, daß das Gerät ausgeschaltet, der Netzstecker gezogen und das Sägeblatt stehen geblieben ist.

Entfernen und Anbringen eines Sägeblatts (Abb. A)

Entfernen

- ◆ Halten Sie die Spindelarrretierung (5) gedrückt, und drehen Sie das Sägeblatt, bis die Spindelarrretierung arretiert.
- ◆ Lösen und entfernen Sie die Sägeblatt-Sicherungsschraube (14), indem Sie sie mit dem mitgelieferten Schraubenschlüssel (12) gegen den Uhrzeigersinn drehen.
- ◆ Entfernen Sie die äußere Unterlegscheibe (15).
- ◆ Entfernen Sie das Sägeblatt (7).

Anbringen

- ◆ Setzen Sie das Sägeblatt auf den inneren Flansch (16), und stellen Sie dabei sicher, daß der Pfeil auf dem Sägeblatt in die gleiche Richtung zeigt, wie der Pfeil auf dem Gerät.
- ◆ Setzen Sie die äußere Unterlegscheibe (15) mit dem hervorstehenden Teil vom Sägeblatt wegweisend auf die Spindel.
- ◆ Setzen Sie die Sägeblatt-Sicherungsschraube (14) in das Loch.
- ◆ Halten Sie die Spindelarrretierung (5) gedrückt.
- ◆ Ziehen Sie die Sägeblatt-Sicherungsschraube sicher fest, indem Sie sie mit dem mitgelieferten Schraubenschlüssel (12) im Uhrzeigersinn drehen.
- ◆ Stellen Sie den Spaltkeil wie unten beschrieben ein.

Justieren des Spaltkeils (Abb. B)

Der Spaltkeil verhindert, daß das Sägeblatt bei Längsschnitten eingeklemmt wird. Der Spaltkeil muß nach dem Austausch des Sägeblatts eingestellt werden.

- ◆ Lösen Sie die Schrauben (17) mit dem Schraubenschlüssel (12), während Sie den Spaltkeil in Position halten. Sie müssen die Schnitttiefe verringern, um an die Schrauben zu gelangen.
- ◆ Positionieren Sie den Spaltkeil (9) wie angegeben.
- ◆ Der Abstand zwischen dem Zahnkranz und dem Spaltkeil sollte 2 bis 3 mm betragen.

Zusätzliche Sicherheitsanweisungen für Kreissägen

- ◆ Tragen Sie einen Gehörschutz. Lärm kann Gehörschäden verursachen.
- ◆ Das Tragen einer Staubmaske ist ratsam.
- ◆ Verwenden Sie keine Sägeblätter mit einem kleineren oder größeren Durchmesser als empfohlen. Verwenden Sie nur Sägeblätter, die den in den technischen Daten aufgeführten Anforderungen entsprechen. Verwenden Sie nur die in diesem Handbuch spezifizierten Sägeblätter im Einklang mit EN 847-1.
- ◆ Verwenden Sie niemals Schleif-/Trennscheiben.

Elektrische Sicherheit



Dieses Gerät ist schutzisoliert, daher ist keine Erdleitung erforderlich. Überprüfen Sie immer, ob die Netzspannung der auf dem Typenschild des Geräts angegebenen Spannung entspricht.

- ◆ Dieses Gerät darf ohne Aufsicht nicht von jungen oder schwachen Personen verwendet werden. Kinder müssen beaufsichtigt werden, um sicherzustellen, daß sie nicht mit dem Gerät spielen.
- ◆ Falls das Netzkabel beschädigt ist, so ist es vom Hersteller oder einem autorisierten Black & Decker Service Center auszutauschen, um Gefahren vorzubeugen.

Übersicht

1. Ein-/Aus-Schalter
2. Einschaltsperr
3. Haupthandgriff
4. Zweithandgriff
5. Spindelarrretierung
6. Sägeschuh

- ◆ Der Höhenunterschied zwischen dem Zahnkranz und dem unteren Ende des Spaltkeils sollte 2 bis 3 mm betragen.
- ◆ Ziehen Sie die Schrauben an.

Anbringen und Entfernen des Parallelanschlags (Abb. C)

- ◆ Der Parallelanschlag wird verwendet, um geradlinig und parallel zur Kante des Werkstücks zu sägen.

Anbringen

- ◆ Lösen Sie die Sicherungsknopf (18).
- ◆ Stecken Sie den Parallelanschlag (10) durch die Öffnungen (19).
- ◆ Schieben Sie den Parallelanschlag in die gewünschte Position.
- ◆ Ziehen Sie den Sicherungsknopf an.

Entfernen

- ◆ Lösen Sie die Sicherungsknopf.
- ◆ Ziehen Sie den Parallelanschlag aus dem Gerät heraus.

Gebrauch

Achtung! Beschleunigen Sie den Arbeitsvorgang nicht mit Gewalt. Vermeiden Sie eine Überlastung des Gerätes.

Dieses Gerät kann mit der rechten oder mit der linken Hand verwendet werden.

Justieren des Sägeblattwinkels (Abb. D)

Der Winkel zwischen Sägeblatt und Sägeschuh beträgt standardmäßig 90°.

- ◆ Vergewissern Sie sich mit Hilfe eines rechten Winkels, daß der Winkel zwischen dem Sägeblatt und dem Sägeschuh 90° beträgt. Falls der Winkel nicht genau 90° beträgt, gehen Sie folgendermaßen vor:
- ◆ Lösen Sie den Sicherungsknopf (20), um den Sägeschuh zu entriegeln.
- ◆ Schrauben Sie die Einstellschraube (21) herein oder heraus, um einen Winkel von 90° zu erhalten.
- ◆ Ziehen Sie den Sicherungsknopf an, um den Sägeschuh in seiner Lage zu sichern.

Einstellen der Schnitttiefe (Abb. E)

Die Schnitttiefe sollte entsprechend der Dicke des Werkstücks eingestellt werden. Dabei sollte die Dicke um etwa 2 mm überschritten werden.

- ◆ Lösen Sie den Hebel (22), um den Sägeschuh zu entriegeln.
- ◆ Bewegen Sie den Sägeschuh (6) in die gewünschte Position. Die entsprechende Schnitttiefe kann auf der Skala (23) abgelesen werden.
- ◆ Ziehen Sie den Hebel an, um den Sägeschuh in seiner Lage zu sichern.

Justieren des Neigungswinkels (Abb. F)

Dieses Gerät kann auf Neigungswinkel zwischen 0° und 45° eingestellt werden.

- ◆ Lösen Sie den Sicherungsknopf (20), um den Sägeschuh zu entriegeln.
- ◆ Bewegen Sie den Sägeschuh (6) in die gewünschte Position. Der entsprechende Neigungswinkel kann auf der Skala (24) abgelesen werden.
- ◆ Ziehen Sie den Sicherungsknopf an, um den Sägeschuh in seiner Lage zu sichern.

Ein- und Ausschalten

- ◆ Um das Gerät einzuschalten, bewegen Sie die Einschaltsperrleiste (2) in die entriegelte Stellung und betätigen Sie den Ein/Ausschalter (1).
- ◆ Zum Ausschalten des Gerätes lassen Sie den Ein-/Ausschalter los.

Sägen

Halten Sie das Gerät immer mit beiden Händen.

- ◆ Lassen Sie das Sägeblatt einige Sekunden im Leerlauf laufen, bevor Sie den Schnitt vornehmen.
- ◆ Drücken Sie das Gerät während des Sägevorgangs nur leicht.
- ◆ Arbeiten Sie so, daß der Sägeschuh gegen das Werkstück gedrückt wird.

Hinweise für optimale Arbeitsergebnisse

- ◆ Da ein geringfügiges Splintern entlang der Schnittlinie oben auf dem Werkstück unvermeidbar ist, schneiden Sie auf derjenigen Seite, wo ein Splintern akzeptabel ist.
- ◆ Wo ein Splintern gering gehalten werden muß, z.B. beim Schneiden von Laminat, spannen Sie ein Stück Sperrholz oben auf das Werkstück.

Verwendung der Sichtführung (Abb. G)

Das Gerät ist mit einer Sichtführung ausgestattet, mit der Geradschnitte (25) sowie 45°-Gehrungsschnitte (26) ausgeführt werden können.

- ◆ Stellen Sie die Sichtführung wie unten beschrieben ein.
- ◆ Richten Sie die linke Kante der Führungen (25) bzw. (26) mit der Schnittlinie (27) aus.
- ◆ Halten Sie beim Sägen die Sichtführung mit der Schnittlinie ausgerichtet.
- ◆ Arbeiten Sie so, daß der Sägeschuh gegen das Werkstück gedrückt wird.

Einstellen der Sichtführung

- ◆ Machen Sie einen Probeschnitt zur Hälfte durch einen Holzabfall.
- ◆ Ziehen Sie die Säge zurück, so daß die Schnittlinie (27) sichtbar wird.

- Während die Säge in dieser Stellung gehalten wird, lösen Sie wie angegeben die Sichtführung am Sägeschuh.
- Richten Sie die 0°-Marke (25) an der Sichtführung mit der Schnittlinie (27) aus. Wird die Säge für 45°-Gehungsschnitte eingestellt, richten Sie die 45°-Marke (26) an der Sichtführung mit der Schnittlinie aus.
- Sichern Sie die Sichtführung mit den Schrauben (28).

Sollte Ihr Black & Decker Produkt eines Tages erneuert werden müssen, oder falls Sie es nicht weiter verwenden wollen, so darf es nicht über den Hausmüll entsorgt werden. Stellen Sie dieses Produkt zur getrennten Entsorgung bereit.



Durch die getrennte Entsorgung gebrauchter Produkte und Verpackungen können die Materialien recycelt und wiederverwertet werden. Die Wiederverwertung recycelter Materialien schont die Umwelt und verringert die Nachfrage nach Rohstoffen.

Gebrauch des Lasers (Abb. H)

Wird direkt über der Säge geschaut, so kann der Schnittlinie leicht gefolgt werden. Sollte aus irgendeinem Grund diese Sicht blockiert sein, so kann der Laser als alternative Schnittführung herangezogen werden. Bevor die Lasereinheit installiert wird, muss der vordere Fuß (29) eingezogen werden.

- Setzen Sie die Einheit auf die Sichtführung.
- Schieben Sie die hinteren Füße (30) in die entsprechenden Löcher (31).
- Setzen Sie die Säge über die Schnittlinie.
- Schalten Sie den Laser ein.

Schlagen Sie auch in der Bedienungsanleitung der Lasereinheit nach.

Staubabsaugung (Abb. I)

Mit dem Staubabsaugauslaß ist es möglich, einen Staubsauger mit dem Gerät zu verbinden.

- Schließen Sie den Staubsaugerschlauch (11) am Auslaß (13) an.

Wartung

Ihr Gerät wurde für eine lange Lebensdauer und einen möglichst geringen Wartungsaufwand entwickelt. Ein dauerhafter, einwandfreier Betrieb setzt eine regelmäßige Pflege und Reinigung voraus.

Achtung! Bevor Sie irgendwelche Wartungsarbeiten vornehmen, schalten Sie das Gerät aus, und ziehen Sie den Netzstecker.

- Reinigen Sie regelmäßig die Lüftungsschlitze im Gerät mit Hilfe einer weichen Bürste oder eines trockenen Tuches.
- Reinigen Sie regelmäßig das Motorgehäuse mit Hilfe eines feuchten Tuches. Verwenden Sie keine scheuernden Reinigungsmittel oder Reinigungsmittel auf Lösungsmittelbasis.

Umweltschutz



Getrennte Entsorgung. Dieses Produkt darf nicht über den normalen Hausmüll entsorgt werden.

Die regionalen Bestimmungen schreiben unter Umständen die getrennte Entsorgung elektrischer Produkte aus dem Haushalt an Sammelstellen oder seitens des Händlers vor, bei dem Sie das neue Produkt erworben haben.

Black & Decker nimmt Ihre ausgedienten Black & Decker Geräte gern zurück und sorgt für eine umweltfreundliche Entsorgung und Wiederverwertung. Um diesen Dienst zu nutzen, schicken Sie bitte Ihr Produkt zu einer Vertragswerkstatt. Hier wird es dann auf unsere Kosten gesammelt.

Die Adresse der zuständigen Black & Decker Vertretung steht in diesem Handbuch, darüber läßt sich die nächstgelegene Vertragswerkstatt ermitteln. Außerdem ist eine Liste der Vertragswerkstätten und aller Kundendienststellen von Black & Decker sowie der zuständigen Ansprechpartner im Internet zu finden unter: www.2helpU.com

Technische Daten

	XTS1660	
Spannung	V _{AC}	230
Leistungsaufnahme	W	1.600
Leerlaufdrehzahl	min ⁻¹	5.000
Max. Schnittiefe	mm	65
Sägeblattdurchmesser	mm	190
Sägeblattbohrung	mm	16
Sägeblattspitzenbreite	mm	2,2
Gewicht	kg	5,8

EG-Konformitätserklärung

XTS1660

Black & Decker erklärt, daß diese Produkte folgende

Konformität erfüllen:

98/37/EWG , 89/336/EWG, EN 60745, EN 55014, EN 61000

L_{PA} (Schalldruck) 102 dB(A), L_{WA} (Schalleistung) 113 dB(A),
gewichtete Hand-/Armvibrationen 1,92 m/s²

K_{PA} (Schalldruck-Unsicherheitsfaktor) 3 dB(A),

K_{WA} (Schalleistungs-Unsicherheitsfaktor) 3 dB(A)



Kevin Hewitt

Director of Consumer Engineering

Spennymoor, County Durham DL16 6JG,

Vereinigtes Königreich

1-1-2006

Garantie

Black & Decker vertraut auf die Qualität der eigenen Werkzeuge und bietet dem Käufer eine außergewöhnliche Garantie.

Diese Garantiezusage versteht sich unbeschadet der gesetzlichen Gewährleistungsansprüche und schränkt diese keinesfalls ein. Sie gilt in sämtlichen Mitgliedsstaaten der Europäischen Union und der Europäischen Freihandelszone EFTA.



Falls sich ein Black & Decker XT Produkt (hierzu zählen nicht: Zubehör, Vorsatzgeräte, Batterien, Ladegeräte und Spannfutter) aufgrund von Materialfehlern, der Verarbeitung oder nicht konformer Ausführung innerhalb von 3 Jahren ab dem Kaufdatum als fehlerhaft herausstellt, so garantiert Black & Decker, sämtliche defekten Teile zu erneuern, Produkte, die normalem Verschleiß ausgesetzt waren, zu reparieren oder solche Produkte zu erneuern, vorausgesetzt, daß das Produkt innerhalb von 90 Tagen ab Kaufdatum auf der Black & Decker XT Garantie-Webseite registriert wurde. Wird das Produkt nicht registriert, so gilt nur die Standardgarantie (2 Jahre).

Die Garantie erlischt, falls:

- ◆ das Werkzeug gewerblich, beruflich oder im Verleihgeschäft benutzt wurde;
- ◆ das Werkzeug mißbrüchlich verwendet oder mit mangelnder Sorgfalt behandelt wurde;
- ◆ das Werkzeug durch irgendwelche Fremdeinwirkung beschädigt wurde;
- ◆ Reparaturen von hierzu unberechtigten Personen durchgeführt wurden;
- ◆ das Produkt dahingehend verändert wurde, daß die ursprünglichen Spezifikationen nicht mehr gültig sind;

- ◆ ungeeignetes Zubehör oder ungeeignete Vorsatzgeräte verwendet wurden.

Die verlängerte Garantie erlischt, falls:

- ◆ Kaufbeleg und Original-Garantiezerifikat für die verlängerte Garantie nicht vorgelegt werden.

Lassen Sie Ihr Produkt jetzt online registrieren unter www.blackanddecker.de/xt, um die verlängerte Garantie (3 Jahre) in Anspruch nehmen zu können und um über neue Produkte und Sonderangebote auf dem Laufenden gehalten zu werden.

Zur Inanspruchnahme dieser Garantie ist dem Verkäufer bzw. der Vertragswerkstatt ein Kaufnachweis vorzulegen. Die Adresse der zuständigen Black & Decker Vertretung steht in diesem Handbuch, darüber läßt sich die nächstgelegene Vertragswerkstatt ermitteln. Außerdem ist eine Liste der Vertragswerkstätten und aller Kundendienststellen von Black & Decker sowie der zuständigen Ansprechpartner im Internet zu finden unter: www.2helpU.com

Weitere Informationen über die Marke Black & Decker und unsere Produkte finden Sie unter folgender Adresse: www.blackanddecker.de

Utilisation prévue

Votre scie Black & Decker a été conçue pour scier le bois et les produits en bois.

Cet outil a été conçu pour une utilisation exclusivement domestique.

Consignes générales de sécurité

Attention ! Lisez toutes les instructions. Le non-respect des instructions indiquées ci-dessous peut entraîner une électrocution, un incendie et/ou de graves blessures. La notion d'« outil électroportatif » mentionnée par la suite se rapporte à des outils électriques raccordés au secteur (avec câble de raccordement) ou fonctionnant sur batteries (sans fil).
GARDEZ PRÉCIEUSEMENT CES CONSIGNES DE SECURITE.

1. Zone de travail

- a. **Maintenez la zone de travail propre et bien éclairée.**
Un lieu de travail en désordre ou mal éclairé augmente le risque d'accidents.
- b. **N'utilisez pas les outils électroportatifs dans un environnement présentant des risques d'explosion ni en présence de liquides, gaz ou poussières inflammables.** Les outils électroportatifs génèrent des étincelles risquant d'enflammer les poussières ou les vapeurs.
- c. **Tenez les enfants et autres personnes éloignés durant l'utilisation de l'outil électroportatif.** En cas d'inattention, vous risquez de perdre le contrôle sur l'outil.

2. Sécurité électrique

- a. **La fiche de secteur de l'outil électroportatif doit convenir à la prise de courant. Ne modifiez en aucun cas la fiche. N'utilisez pas de fiches d'adaptateur avec des outils ayant une prise de terre.** Les fiches non modifiées et les prises de courant appropriées réduisent le risque d'électrocution.
- b. **Évitez le contact physique avec des surfaces mises à la terre telles que tuyaux, radiateurs, fours et réfrigérateurs.** Il y a un risque élevé d'électrocution si votre corps est relié à la terre.
- c. **N'exposez pas l'outil électroportatif à la pluie ni à l'humidité.** La pénétration d'eau dans un outil électroportatif augmente le risque d'électrocution.
- d. **Préservez le câble d'alimentation. N'utilisez pas le câble à d'autres fins que celles prévues, notamment pour porter l'outil, l'accrocher voire le débrancher de la prise de courant. Maintenez le câble éloigné des sources de chaleur, des parties grasses, des bords tranchants ou des parties de l'outil en rotation.**
Un câble endommagé ou enchevêtré augmente le risque d'électrocution.

- e. **Si vous utilisez l'outil électroportatif à l'extérieur, utilisez une rallonge homologuée pour utilisation à l'air libre.** L'utilisation d'une rallonge électrique homologuée pour les applications extérieures réduit le risque d'électrocution.

3. Sécurité personnelle

- a. **Restez vigilant, surveillez ce que vous faites. Faites preuve de bon sens quand vous utilisez l'outil électroportatif. N'utilisez pas l'outil lorsque vous êtes fatigué ou après avoir consommé de l'alcool, des drogues ou avoir pris des médicaments.** Un moment d'inattention lors de l'utilisation de l'outil peut entraîner de graves blessures.
 - b. **Portez des équipements de protection. Portez toujours des lunettes de protection.** Le port d'équipements de protection personnelle tels que masque anti-poussières, chaussures de sécurité antidérapantes, casque ou protection auditive, selon le travail à effectuer, réduit le risque de blessures.
 - c. **Évitez une mise en route accidentelle. Avant de brancher l'outil, vérifiez que l'interrupteur est sur la position arrêt.** Le transport ou le branchement d'outils électroportatifs avec l'interrupteur en position marche est une invite à l'accident.
 - d. **Enlevez tout outil ou clé de réglage avant de mettre l'outil en marche.** Une clé ou un outil se trouvant sur une partie en rotation peut causer des blessures.
 - e. **Ne surestimez pas vos capacités. Conservez en permanence votre équilibre et les deux pieds à terre.** Vous contrôlerez mieux l'outil dans des situations inattendues.
 - f. **Portez des vêtements appropriés. Ne portez pas de vêtements amples ni de bijoux. N'approchez pas les cheveux, vêtements ou gants des parties de l'outil en rotation.** Les vêtements amples, les bijoux ou les cheveux longs peuvent être attrapés dans les pièces en mouvement.
 - g. **Si des dispositifs servant à aspirer ou à recueillir les poussières doivent être utilisés, vérifiez qu'ils sont correctement raccordés et utilisés.** L'utilisation de tels dispositifs réduit les dangers dus aux poussières.
4. **Utilisation des outils électroportatifs et précautions**
 - a. **Ne surchargez pas l'outil. Utilisez l'outil électroportatif approprié pour le travail à effectuer.** Avec l'outil électroportatif approprié, vous travaillerez mieux et avec plus de sécurité à la vitesse pour laquelle il a été conçu.
 - b. **N'utilisez pas un outil électroportatif dont l'interrupteur est défectueux.** Un outil électroportatif qui ne peut plus être mis en ou hors fonctionnement est dangereux et doit être réparé.

- c. Retirez la fiche de la prise de courant avant d'effectuer des réglages sur l'outil, de changer les accessoires ou de ranger l'outil.** Cette mesure de précaution empêche une mise en marche par mégarde.
- d. Rangez les outils électroportatifs hors de portée des enfants. Ne laissez pas les personnes n'étant pas familiarisées avec l'outil ou n'ayant pas lu ces instructions l'utiliser.** Les outils électroportatifs sont dangereux lorsqu'ils sont utilisés par des personnes non initiées.
- e. Prenez soin des outils électroportatifs. Vérifiez que les parties en mouvement fonctionnent correctement et qu'elles ne sont pas coincées ; vérifiez qu'il n'y a pas de pièces cassées ou endommagées susceptibles de nuire au bon fonctionnement de l'outil. S'il est endommagé, faites réparer l'outil avant de l'utiliser.** De nombreux accidents sont dus à des outils électroportatifs mal entretenus.
- f. Maintenez les outils de coupe aiguisés et propres.** Des outils soigneusement entretenus avec des bords tranchants bien aiguisés se coincent moins souvent et peuvent être guidés plus facilement.
- g. Utilisez les outils électroportatifs, les accessoires, les outils à monter etc. conformément à ces instructions et aux prescriptions en vigueur pour ce type d'outils. Tenez compte également des conditions de travail et du travail à effectuer.** L'utilisation des outils électroportatifs à d'autres fins que celles prévues peut entraîner des situations dangereuses.

5. Réparations

- a. Faites réparer votre outil électroportatif uniquement par du personnel qualifié et seulement avec des pièces de rechange d'origine.** Cela garantira le maintien de la sécurité de votre outil.

Instructions de sécurité pour toutes les scies

Danger :

- ◆ **Gardez les mains à distance de la zone de sciage et de la lame de scie. Tenez la poignée supplémentaire ou le carter du moteur de l'autre main.** Si vous tenez la scie circulaire des deux mains, celles-ci ne peuvent pas être blessées par la lame de scie.
- ◆ **Ne passez pas les mains sous la pièce à travailler.** Sous la pièce à travailler, le carter de protection ne peut pas vous protéger de la lame de scie.
- ◆ **Régalez la profondeur de coupe selon l'épaisseur de la pièce à ouvrir.** La partie inférieure de la pièce à ouvrir doit laisser voir moins d'une dent complète de la lame de scie.

- ◆ **Ne tenez jamais la pièce à scier dans la main ou sur la jambe. Fixez la pièce sur un support stable.** Il est important que la pièce soit correctement soutenue afin de minimiser les risques de blessures corporelles, lorsque la scie se coince ou en cas de perte de contrôle.
- ◆ **Tenez l'appareil uniquement par les surfaces isolées des poignées si l'opération effectuée peut mettre la lame en contact avec des câbles électriques cachés ou son propre cordon électrique.** Le contact avec un câble sous tension met les parties métalliques de l'appareil sous tension et peut provoquer une électrocution de l'utilisateur.
- ◆ **Utilisez toujours une butée ou un guidage droit de bords pour des coupes longitudinales.** Ceci améliore la précision de la coupe et réduit le danger de voir la lame de scie se coincer.
- ◆ **Utilisez toujours des lames de scie de taille et de forme adaptées à l'alésage de fixation (par ex. en étoile ou rond).** Les lames de scie inadaptées au matériel de montage de la scie risquent de s'excentrer, occasionnant une perte de contrôle.
- ◆ **N'utilisez jamais de rondelles ou de boulons endommagés voire inadaptés à la lame de scie.** Les rondelles et boulons de la lame de scie ont été spécialement conçus pour votre scie, pour une performance et une sécurité de fonctionnement optimales.

Instructions de sécurité additionnelles pour toutes les scies

Causes de contrecoups et comment les éviter:

- le contrecoup est une réaction soudaine d'une lame de scie restée accrochée, coincée ou mal orientée. La scie qui n'est plus sous contrôle sort de la pièce à ouvrir et est projetée vers l'utilisateur ;
- si la lame de scie reste accrochée ou coincée dans la fente sciée qui se ferme, elle se bloque et la force du moteur ramène l'outil rapidement vers l'utilisateur ;
- si la lame de scie est tordue ou mal orientée dans le tracé de la coupe, les dents du bord arrière de la lame de scie risquent de se coincer dans la surface de la pièce. De ce fait, la lame de scie saute brusquement de la fente et est propulsée en arrière sur l'utilisateur.

Le contrecoup est le résultat d'une utilisation inappropriée de la scie voire de procédures ou de conditions d'utilisation incorrectes. Il peut être évité en appliquant les précautions adéquates, décrites ci-dessous.

- ◆ **Maintenez fermement la scie des deux mains et positionnez vos bras de sorte à pouvoir résister aux contrecoups. Positionnez toujours votre corps d'un côté ou de l'autre de la lame de scie. Ne vous placez jamais dans l'alignement de la lame.** En cas de contrecoup, la scie circulaire risque d'être propulsée vers l'arrière. Cependant l'utilisateur peut contrôler les forces de contrecoup en respectant les précautions adéquates.
- ◆ **Si la lame de scie se coince ou que le sciage est interrompu pour une raison quelconque, lâchez l'interrupteur Marche/ Arrêt et maintenez la scie immobile dans la pièce jusqu'à son arrêt total. N'essayez jamais de sortir la scie de la pièce ou de la tirer en arrière tant que la lame de scie n'est pas immobile ou qu'un contrecoup reste possible.** Déterminez pourquoi la scie s'est coincée et corrigez le problème.
- ◆ **Pour redémarrer une scie coincée dans une pièce, centrez la lame de scie dans la fente et vérifiez que ses dents ne sont pas engagées dans la pièce.** Si la lame de scie est coincée, elle peut sortir de la pièce ou causer un contrecoup si la scie est remise en marche.
- ◆ **Soutenez les grands panneaux afin de minimiser le risque de contrecoup causé par une lame de scie coincée.** Les grands panneaux risquent de s'arquer sous leur propre poids. Les panneaux doivent être soutenus des deux côtés par des supports, près de la fente de scie ainsi qu'aux bords des panneaux.
- ◆ **N'utilisez pas de lames de scie émoussées ou endommagées.** Les lames de scie dont les dents sont émoussées ou mal orientées produisent une fente trop étroite générant une friction élevée, augmentant le risque de voir la lame se coincer et provoquer un contrecoup.
- ◆ **Les leviers de blocage des réglages de la profondeur et de l'angle de coupe doivent être bien serrés et verrouillés avant de scier.** Si les réglages se modifient pendant le sciage, la lame de scie risque de se coincer et de provoquer un contrecoup.
- ◆ **Faites preuve d'une prudence particulière pour effectuer une « coupe en plongée » dans les murs préexistants ou autres parties non apparentes.** La partie saillante de la lame peut couper des objets susceptibles de provoquer un contrecoup.

Instructions de sécurité pour les scies dotées d'un carter de protection pendulaire

- ◆ **Contrôlez avant chaque utilisation la fermeture correcte du carter inférieur de protection. N'utilisez pas la scie si le carter inférieur de protection ne bouge pas librement et ne se ferme pas instantanément. Ne fixez et n'attachez jamais le carter inférieur de protection pour le laisser en position ouverte.** Si, par mégarde, la scie tombe par terre, le carter inférieur de protection risque d'être déformé. Levez le carter de protection avec la poignée rétractable, assurez-vous qu'il peut bouger librement et ne touche ni la lame de scie ni d'autres éléments de l'appareil, quel que soit l'angle ou la profondeur de coupe.
- ◆ **Contrôlez le bon fonctionnement du ressort du carter inférieur de protection. Faire effectuer un entretien de l'appareil avant de l'utiliser, si le capot inférieur de protection et le ressort ne travaillent pas impeccablement.** Des pièces endommagées, restes de colle ou accumulations de débris peuvent ralentir l'actionnement du carter inférieur de protection.
- ◆ **Ouvrez le carter inférieur de protection manuellement uniquement pour des coupes spéciales, ainsi les « coupes en plongée » ou les « coupes angulaires ».** Ouvrez le carter inférieur de protection en rétractant la poignée et libérez-le dès que la lame de scie est entrée dans la pièce. Pour toutes les autres opérations de sciage, le carter inférieur de protection doit fonctionner automatiquement.
- ◆ **Ne placez jamais la scie sur l'établi ou au sol si le carter inférieur de protection ne couvre pas la lame de scie.** Une lame de scie sans protection et encore en mouvement ramène la scie en arrière, sciant tout sur son passage. Tenez compte du temps nécessaire à la scie pour ralentir.

Instructions de sécurité additionnelles pour toutes les scies avec refendeur

- ◆ **Utilisez le refendeur adapté à la lame de scie montée.** Le refendeur doit être plus épais que le corps de la lame mais plus fin qu'une de ses dents.
- ◆ **Réglez le refendeur conformément aux instructions de ce manuel.** Un espacement, un positionnement et un alignement incorrects peuvent rendre le refendeur incapable d'empêcher un contrecoup.
- ◆ **Utilisez toujours le refendeur sauf pour les coupes en plongée. Le refendeur doit être remplacé après une coupe en plongée.** Le refendeur gêne les coupes en plongées et risque de provoquer un contrecoup.

- ◆ **Le refendeur doit être engagé dans la pièce à ouvrir pour fonctionner correctement.** Le refendeur ne peut empêcher les contrecoups pour les coupes courtes.
- ◆ **N'utilisez pas la scie si le refendeur est déformé.** La moindre déformation peut ralentir la fermeture du carter de protection.

Consignes de sécurité supplémentaires pour scies circulaires

- ◆ Munissez-vous de protections auditives. L'exposition au bruit peut causer des pertes de l'audition.
- ◆ Il est conseillé de porter un masque anti-poussière.
- ◆ N'utilisez pas de lames de diamètres plus élevés ou plus faibles que ceux recommandés. Référez-vous aux données techniques pour obtenir les caractéristiques appropriées des lames. Utilisez uniquement les lames indiquées dans ce manuel, conformes à la norme EN 847-1.
- ◆ N'utilisez jamais de disques abrasifs de tronçonnage.

Sécurité électrique



L'outil est doublement isolé ; par conséquent, aucun câble de masse n'est nécessaire.

Vérifiez si le voltage mentionné sur la plaque signalétique correspond bien à la tension de réseau sur site.

- ◆ Cet appareil n'est pas destiné à être utilisé par des jeunes ou des personnes infirmes sans supervision. Les enfants ne doivent pas jouer avec l'appareil.
- ◆ Si le câble d'alimentation est endommagé, il doit être remplacé par le fabricant ou par un centre de réparation agréé Black & Decker afin d'éviter tout accident.

Généralités

1. Interrupteur marche/arrêt
2. Bouton de blocage
3. Poignée principale
4. Poignée secondaire
5. Bouton de blocage de l'axe
6. Semelle
7. Lame
8. Carter de protection de lame
9. Refendeur
10. Guide parallèle
11. Unité laser
12. Clé de lame de scie
13. Orifice d'évacuation de la poussière

Montage

Attention ! Avant le montage, assurez-vous que l'outil est éteint et débranché du secteur et que la lame de scie est arrêtée.

Retrait et mise en place d'une lame de scie (fig. A)

Retrait

- ◆ Tout en appuyant sur le bouton de blocage de l'axe (5), faites tourner la lame jusqu'à ce que le bouton s'engage.
- ◆ Dévissez et enlevez la vis de fixation de la lame (14) en la faisant tourner dans le sens anti-horaire à l'aide de la clé plate fournie (17).
- ◆ Enlevez la rondelle extérieure (15).
- ◆ Démontez la lame de scie (7).

Pose

- ◆ Placez la lame de scie sur la bride intérieure (16), en vérifiant que la flèche figurant sur la lame pointe dans le même sens que celle sur l'outil.
- ◆ Installez la rondelle extérieure (15) sur l'arbre, avec la partie élevée pointant dans la direction opposée à la lame de scie.
- ◆ Insérez la vis de fixation de la lame (14) dans l'orifice.
- ◆ Appuyez sur le bouton de blocage de l'axe (5) et gardez-le enfoncé.
- ◆ Vissez la vis de fixation de la lame en la faisant tourner dans le sens des aiguilles d'une montre à l'aide de la clé plate (12) fournie.
- ◆ Réglez le refendeur comme indiqué ci-dessous.

Ajustement du refendeur (fig. B)

Le refendeur empêche la lame de scie de se coincer pendant les opérations de coupe en longueur. Le refendeur doit être réglé après le remplacement de la lame de scie.

- ◆ Desserrez les vis (17) avec la clé (12) tout en maintenant le refendeur en position. Il vous faudra réduire la profondeur de coupe pour accéder aux vis.
- ◆ Placez le refendeur (9) comme sur la figure.
- ◆ La distance entre les dents de la lame et le refendeur doit être de 2–3 mm.
- ◆ La différence de hauteur entre les dents de la lame et l'extrémité inférieure du refendeur doit être de 2–3 mm.
- ◆ Serrez les vis.

Installation et démontage du guide parallèle (fig. C)

- ◆ Le guide parallèle est utilisé pour scier en ligne droite parallèlement aux bords de la pièce à scier.

Pose

- ◆ Desserrez le bouton de blocage (18).
- ◆ Insérez le guide parallèle (10) dans les orifices (19).
- ◆ Faites glisser le guide parallèle dans la position souhaitée.
- ◆ Resserrez le bouton de blocage.

Retrait

- ◆ Desserrez le bouton de blocage.
- ◆ Écartez le guide parallèle de l'outil.

Utilisation

Attention ! Laissez l'outil fonctionner à sa propre vitesse. Ne le surchargez pas.

Cet outil peut être tenu de la main droite ou de la main gauche.

Réglage de l'angle de la lame (fig. D)

L'angle par défaut entre la lame de scie et le patin est de 90°.

- ◆ A l'aide d'une équerre par exemple, vérifiez que l'angle entre la lame et le patin est bien de 90°. Si l'angle ne mesure pas 90°, procédez comme suit :
- ◆ Dévissez le bouton de blocage (20) pour débloquer le patin de la scie.
- ◆ Serrez ou desserrez la vis de réglage (21) pour obtenir un angle de 90°.
- ◆ Vissez le bouton de blocage pour bloquer le patin de scie.

Réglage de la profondeur de coupe (fig. E)

La profondeur de coupe doit être fixée en fonction de l'épaisseur de la pièce à scier. Elle doit être supérieure d'environ 2 mm. par rapport à l'épaisseur.

- ◆ Dévissez le levier (22) pour débloquer le patin de la scie.
- ◆ Déplacez le patin de la scie (6) dans la position voulue. Vous pourrez lire la profondeur de coupe sur l'échelle graduée (23).
- ◆ Vissez le levier pour bloquer le patin de scie.

Réglage de l'angle de biseautage (fig. F)

Cet outil peut être réglé pour exécuter des angles en biseau entre 0° et 45°.

- ◆ Dévissez le bouton de blocage (20) pour débloquer le patin de la scie.
- ◆ Déplacez le patin de la scie (6) dans la position voulue. Vous pourrez lire l'angle en biseau correspondant sur l'échelle graduée (24).
- ◆ Vissez le bouton de blocage pour bloquer le patin de scie.

Démarrage et arrêt

- ◆ Pour allumer l'outil, placez le bouton de verrouillage (2) sur la position déverrouillée et appuyez sur l'interrupteur de marche/arrêt (1).
- ◆ Pour stopper l'outil, relâchez le bouton marche/arrêt (1).

Sciage

Tenez toujours l'outil avec les deux mains.

- ◆ Laissez la lame tourner librement pendant quelques secondes avant de commencer la coupe.

- ◆ Appuyez légèrement sur l'outil pendant que vous sciez.
- ◆ Travaillez avec le talon appuyé sur la pièce.

Conseils pour une utilisation optimale

- ◆ Étant donné qu'il est inévitable que se produisent quelques éclatements du bois le long de la ligne de coupe sur la face supérieure de la pièce sciée, coupez la pièce sur le bord où les petits éclatements peuvent être admis.
- ◆ Lorsque les éclatements doivent être réduits au minimum, par exemple si vous sciez des plaques laminées, fixez un morceau de contreplaqué sur la face supérieure de la pièce.

Utilisation du guide visuel (fig. G).

L'outil est équipé d'un guide visuel pour la coupe rectiligne (25) et la coupe en onglet à 45° (26).

- ◆ Ajustez le guide visuel comme expliqué ci-dessous.
- ◆ Alignez le bord gauche des guides (25) ou (26) avec la ligne de coupe (27).
- ◆ Gardez le guide visuel aligné avec la ligne de coupe lors du sciage.
- ◆ Travaillez avec le talon appuyé sur la pièce.

Réglage du guide visuel

- ◆ Effectuez une coupe de test à mi-longueur dans une chute de bois.
- ◆ Retirez la lame afin que la ligne de coupe (27) soit visible.
- ◆ Maintenez la scie dans cette position et desserrez le guide visuel du patin de scie comme indiqué.
- ◆ Alignez le repère 0° (25) sur le guide visuel avec la ligne de coupe (27). Pour le réglage des coupes en onglet à 45°, alignez le repère de 45° (26) sur le guide visuel avec la ligne de coupe.
- ◆ Fixez le guide visuel à l'aide des vis (28).

Utilisation du laser (fig. H)

En regardant droit au-dessus de la scie, il est facile de suivre la ligne de coupe. Si pour une raison quelconque, la ligne se voyait mal, le laser peut être utilisé comme un guide de coupe alternatif.

Avant d'installer l'unité laser, le pied avant (29) doit être rétracté.

- ◆ Placez l'unité sur le guide visuel.
- ◆ Poussez les pieds arrière (30) dans les orifices correspondants (31).
- ◆ Placez la scie sur la ligne de coupe.
- ◆ Mettez le laser en marche.

Reportez-vous également au manuel de l'unité laser.

Évacuation de la poussière (fig. I)

L'orifice d'extraction de poussière vous permet de brancher un aspirateur sur l'outil.

- ◆ Branchez le tuyau (11) de l'aspirateur sur l'orifice (13).

Entretien

Votre outil a été conçu pour fonctionner pendant longtemps avec un minimum d'entretien. Un fonctionnement continu satisfaisant dépend d'un nettoyage régulier et d'un entretien approprié de l'outil.

Attention ! Avant d'effectuer tout entretien, éteignez et débranchez l'outil.

- ◆ Nettoyez régulièrement les orifices de ventilation de votre outil à l'aide d'une brosse douce ou d'un chiffon sec.
- ◆ Nettoyez régulièrement le compartiment du moteur à l'aide d'un chiffon humide. N'utilisez pas de produit abrasif ou à base de solvant.

Protection de l'environnement



Collecte séparée. Ce produit ne doit pas être jeté avec les déchets domestiques normaux.

Si vous décidez de remplacer ce produit Black & Decker, ou si vous n'en avez plus l'utilité, ne le jetez pas avec vos déchets domestiques. Rendez-le disponible pour une collecte séparée.



La collecte séparée des produits et emballages usés permet le recyclage des articles afin de les utiliser à nouveau. Le fait d'utiliser à nouveau des produits recyclés permet d'éviter la pollution environnementale et de réduire la demande de matières premières.

Les réglementations locales peuvent permettre la collecte séparée des produits électriques du foyer, dans des déchetteries municipales ou auprès du revendeur vous ayant vendu votre nouveau produit.

Black & Decker fournit un dispositif permettant de collecter et de recycler les produits Black & Decker lorsqu'ils ont atteint la fin de leur cycle de vie. Pour pouvoir profiter de ce service, veuillez retourner votre produit à un réparateur agréé qui se chargera de le collecter pour nous.

Pour connaître l'adresse du réparateur agréé le plus proche de chez vous, contactez le bureau Black & Decker à l'adresse indiquée dans ce manuel. Vous pourrez aussi trouver une liste des réparateurs agréés de Black & Decker et de plus amples détails sur notre service après-vente sur le site Internet à l'adresse suivante : **www.2helpU.com**

Caractéristiques techniques

	XTS1660	
Tension	V_{AC}	230
Puissance absorbée	W	1.600
Vitesse à vide	min^{-1}	5.000
Profondeur de coupe max.	mm	65
Diamètre de lame	mm	190
Alésage de lame	mm	16
Largeur de l'extrémité de la lame.	mm	2,2
Poids	kg	5,8

Déclaration de conformité CE

XTS1660

Black & Decker déclare que ces produits sont conformes à : 98/37/CEE , 89/336/CEE, EN 60745, EN 55014, EN 61000

L_{pA} (pression sonore) 102 dB(A), L_{WA} (puissance acoustique) 113 dB(A), poids de la vibration sur la main/bras 1,92 m/s^2

K_{pA} (incertitude de la pression acoustique) 3 dB(A),
 K_{WA} (incertitude de la puissance acoustique) 3 dB(A)

Kevin Hewitt
 Directeur Ingénierie Client
 Spennymoor, County Durham DL16 6JG,
 Royaume Uni
 1-1-2006

Garantie

Black & Decker est confiant dans la qualité de ses produits et vous offre une garantie très étendue. Ce certificat de garantie est un document supplémentaire et ne peut en aucun cas se substituer à vos droits légaux. La garantie est valable sur l'ensemble des territoires des États Membres de l'Union Européenne et de la Zone de Libre Echange Européenne.



Si un produit Black & Decker XT (sauf les accessoires, annexes, batteries, chargeurs et embouts) est défectueux en raison d'un défaut matériel, de main d'œuvre ou de conformité dans les 3 ans suivant son acquisition, Black & Decker garantit le remplacement des pièces défectueuses, répare tout produit sujet à une usure ou des dégâts normaux voire remplace le dit produit, dans la mesure où il est enregistré sur le site Internet de garantie Black & Decker XT dans les 90 jours suivant l'acquisition. Si le produit n'est pas enregistré, alors seule la garantie standard (2 ans) s'applique.

La garantie ne s'applique pas si :

- ◆ Le produit a été utilisé dans un but commercial, professionnel ou a été loué.
- ◆ Le produit a été mal utilisé ou avec négligence.
- ◆ Le produit a subi des dommages à cause d'objets étrangers, de substances ou à cause d'accidents.
- ◆ Une personne non qualifiée a tenté de réparer la machine,
- ◆ Le produit a subi une modification en regard de ses spécifications d'origine.
- ◆ Des accessoires ou annexes inappropriés ont été utilisés.

La garantie étendue ne s'applique pas si :

- ◆ Une preuve d'achat et le certificat de garantie étendue d'origine n'ont pas été produits.

Enregistrez dès à présent votre produit en ligne à www.blackanddecker.fr/xt afin de pouvoir bénéficier de la garantie étendue (3 ans) et recevoir des informations sur les nouveaux produits et les offres spéciales.

Pour avoir recours à la garantie, il est nécessaire de fournir une preuve d'achat au vendeur ou à un réparateur agréé. Pour connaître l'adresse du réparateur agréé le plus proche de chez vous, contactez le bureau Black & Decker à l'adresse indiquée dans ce manuel. Vous pourrez aussi trouver une liste des réparateurs agréés de Black & Decker et de plus amples détails sur notre service après-vente sur le site Internet à l'adresse suivante : **www.2helpU.com**

Pour plus d'informations concernant la marque Black & Decker et notre gamme de produits, consultez notre site **www.blackanddecker.fr**

Uso previsto

La sega Black & Decker è stata progettata per segare legno e prodotti del legno.

L'utensile è stato progettato per un uso individuale.

Norme generiche di sicurezza

Avvertenza: leggere tutte le istruzioni. La mancata osservazione delle presenti istruzioni potrebbe causare scosse elettriche, incendi e/o infortuni gravi. Il termine "elettroutensile" che ricorre in tutti le avvertenze seguenti si riferisce ad utensili elettrici con o senza filo.

CONSERVARE QUESTE ISTRUZIONI.

1. Area di lavoro

- a. **Mantenere pulita e bene illuminata l'area di lavoro.** Il disordine e la scarsa illuminazione possono causare incidenti.
- b. **Evitare d'impiegare gli elettroutensili in ambienti esposti al rischio di esplosione, ad esempio in presenza di liquidi, gas o polveri infiammabili.** Gli elettroutensili producono scintille che possono far infiammare la polvere o i fumi.
- c. **Mantenere lontani bambini ed astanti mentre si usa l'elettroutensile.** Eventuali distrazioni possono comportare la perdita del controllo dell'utensile.

2. Sicurezza elettrica

- a. **La spina elettrica deve essere adatta alla presa. Evitare assolutamente di alterare la spina. Non impiegare spine adattatrici con utensili provvisti di messa a terra.** L'uso di spine inalterate e delle prese corrispondenti riduce il rischio di scosse elettriche.
- b. **Evitare il contatto fisico con superfici collegate a terra, come tubi, radiatori, forni e frigoriferi.** Un corpo collegato a terra è esposto maggiormente al rischio di scosse elettriche.
- c. **Custodire gli elettroutensili al riparo dalla pioggia o dall'umidità.** L'eventuale infiltrazione di acqua in un elettroutensile aumenta il rischio di scosse elettriche.
- d. **Non esporre il cavo a sollecitazioni. Non usare il cavo per trasportare o trainare l'utensile e non tirarlo per estrarre la spina dalla presa di corrente. Mantenere il cavo al riparo dal calore, da bordi taglienti e/o da parti in movimento.** I cavi elettrici danneggiati o aggrovigliati aumentano il rischio di scosse elettriche.
- e. **Se l'elettroutensile viene adoperato all'aperto, usare esclusivamente prolunghie omologate per l'impiego all'esterno.** Un cavo adatto per uso esterno riduce il rischio di scosse elettriche.

3. Sicurezza delle persone

- a. **È importante concentrarsi su ciò che si sta facendo e maneggiare con giudizio l'elettroutensile. Non adoperare l'elettroutensile se si è stanchi o sotto l'effetto di stupefacenti, alcol o medicinali.** Un attimo di distrazione può causare gravi infortuni personali.
 - b. **Indossare sempre un equipaggiamento protettivo. Indossare sempre degli occhiali di sicurezza.** Avendo cura d'indossare l'equipaggiamento protettivo necessario - ad esempio maschera antipolvere, calzature antiscivolo, casco ed otoprotezioni - si ridurrà il rischio di infortuni.
 - c. **Evitare l'accensione involontaria dell'utensile. Prima d'inserire la spina nella presa, controllare che l'interruttore sia su Off.** Il trasporto di elettroutensili tenendo le dita sull'interruttore oppure l'inserimento della spina di alimentazione di un elettroutensile con l'interruttore di accensione su On, aumenta il rischio di incidenti.
 - d. **Prima di accendere un elettroutensile, togliere eventuali chiavi o attrezzi di regolazione.** Un attrezzo o una chiave lasciati in un componente mobile dell'elettroutensile possono causare lesioni.
 - e. **Non sporgersi. Mantenere sempre un buon equilibrio evitando posizioni malsicure.** In questo modo è possibile controllare meglio l'utensile in situazioni inaspettate.
 - f. **Vestirsi adeguatamente. Evitare di indossare indumenti larghi o gioielli. Tenere capelli, vestiti e guanti lontani da pezzi in movimento.** Vestiti larghi, gioielli o capelli lunghi potranno impigliarsi nei componenti in movimento.
 - g. **Se gli utensili sono provvisti di attacchi per la connessione di dispositivi di aspirazione o raccolta della polvere, assicurarsi che questi siano installati e utilizzati correttamente.** L'impiego di tali dispositivi può ridurre i rischi correlati alle polveri.
- ### 4. Uso e cura degli elettroutensili
- a. **Non sovraccaricare l'utensile. Usare l'elettroutensile idoneo al lavoro da eseguire.** L'elettroutensile appropriato permetterà una migliore e più sicura lavorazione alla potenza nominale prevista.
 - b. **Non utilizzare elettroutensili con interruttori difettosi.** Un elettroutensile che non può essere controllato mediante l'interruttore è pericoloso e deve essere riparato.
 - c. **Estrarre la spina dalla presa di corrente prima di regolare l'utensile, di sostituire degli accessori o di riporre l'utensile.** Queste precauzioni di sicurezza riducono le possibilità che l'utensile venga messo in funzione accidentalmente.

- d. **Quando non vengono usati, tensili devono essere custoditi fuori della portata dei bambini. Non consentire l'uso dell'utensile a persone inesperte o che non abbiano letto le presenti istruzioni.** Gli elettrotensili risultano pericolosi se usati da persone inesperte.
- e. **Sottoporre gli elettrotensili alle procedure di manutenzione del caso. Verificare che le parti mobili siano bene allineate e non inceppate, che non vi siano componenti rotti e che non sussistano altre condizioni che possano compromettere il funzionamento dell'elettrotensile. In caso di danni, riparare l'elettrotensile prima dell'uso.** La scarsa manutenzione causa molti incidenti.
- f. **Mantenere affilati e puliti gli utensili da taglio.** Se sottoposti alla corretta manutenzione, gli utensili da taglio con taglienti affilati s'inceppano meno frequentemente e sono più facili da manovrare.
- g. **Utilizzare l'elettrotensile, gli accessori, le punte ecc. in conformità delle presenti istruzioni e secondo la specifica destinazione prevista, tenendo conto delle condizioni di lavoro e del lavoro da completare.** L'impiego degli elettrotensili per usi diversi da quelli previsti può dar luogo a situazioni di pericolo.

5. Riparazioni

- a. **Fare riparare l'utensile solo ed esclusivamente da personale specializzato e solo impiegando pezzi di ricambio originali,** per conservare le condizioni di sicurezza dell'elettrotensile.

Istruzioni di sicurezza valide per tutte le segatrici

Pericolo:

- ◆ **Mai avvicinare le mani alla zona operativa e neppure alla lama da taglio. Tenere l'altra mano sull'impugnatura ausiliaria o sul carter del motore.** Impugnando la segatrice con entrambe le mani, si evitano tagli alle stesse.
- ◆ **Mai afferrare con le mani la parte inferiore del pezzo in lavorazione.** Nella zona al di sotto del pezzo in lavorazione la calotta di protezione non presenta alcuna protezione contro la lama da taglio.
- ◆ **Adattare la profondità di taglio allo spessore del pezzo in lavorazione.** Nella parte inferiore del pezzo in lavorazione dovrebbe essere visibile meno della completa altezza del dente.

- ◆ **Mai tenere con le mani il pezzo in lavorazione che si intende tagliare e neppure appoggiarlo sulla gamba. Assicurare il pezzo in lavorazione su una base di sostegno stabile.** Per ridurre al minimo il pericolo di un contatto con il corpo, la possibilità di un blocco della lama da taglio oppure la perdita del controllo, è importante fissare bene il pezzo in lavorazione.
- ◆ **Eseguendo lavori in cui l'utensile da taglio può entrare in contatto con linee elettriche nascoste o con il cavo di alimentazione, afferrare l'elettrotensile tramite le apposite impugnature isolanti.** In caso di contatto con una linea sotto tensione anche le parti metalliche dell'elettrotensile vengono sottoposte a tensione provocando una scossa elettrica.
- ◆ **In caso di taglio longitudinale utilizzare sempre una battuta oppure una guida angolare diritta.** In questo modo è possibile migliorare la precisione del taglio riducendo il pericolo che la lama possa incepparsi.
- ◆ **Utilizzare sempre lame per segatrici che abbiano la misura corretta ed il foro di montaggio adatto (p.es. a diamante oppure rotondo).** Lame per segatrici non adatte ai relativi pezzi di montaggio, avranno una rotazione eccentrica causando la perdita di controllo dell'elettrotensile.
- ◆ **Mai utilizzare rondelle oppure viti per lama da taglio che non dovessero essere in perfetto stato o che non dovessero essere adatte.** Le rondelle e le viti per lama da taglio sono appositamente previste per la vostra segatrice e sono state realizzate per raggiungere ottimali prestazioni e massima sicurezza di utilizzo.

Ulteriori istruzioni di sicurezza valide per tutte le segatrici
Possibili cause ed accorgimenti per impedire un contraccolpo:

- un contraccolpo è la reazione improvvisa provocata da una lama da taglio rimasta agganciata, che si blocca oppure che non è stata regolata correttamente comportando un movimento incontrollato della segatrice che sbalza dal pezzo in lavorazione e si sposta in direzione dell'operatore;
- quando la lama da taglio rimane agganciata oppure si inceppa nella fessura del taglio che si restringe, si provoca un blocco e la potenza del motore fa balzare la macchina indietro in direzione dell'operatore;
- qualora la lama si piegasse o si disallineasse durante il taglio, i denti del bordo posteriore della lama potrebbero rimanere piantati nella superficie superiore del pezzo in lavorazione facendo uscire la lama dalla tacca e causandone un salto all'indietro in direzione dell'operatore.

Un contraccolpo è la conseguenza di un utilizzo non appropriato oppure non corretto della segatrice. Esso può essere evitato soltanto prendendo misure di sicurezza adatte come dalla descrizione che segue.

- ◆ **Tenere la segatrice ben ferma afferrandola con entrambe le mani e portare le braccia in una posizione che permetta di resistere bene alla forza dei contraccolpi. Tenere sempre una posizione laterale rispetto alla lama da taglio e mai mettere la lama da taglio in linea con il proprio corpo.** In caso di un contraccolpo la segatrice può balzare all'indietro; comunque, prendendo delle misure adatte l'operatore può essere in grado di controllare il contraccolpo.
- ◆ **Nel caso in cui la lama da taglio dovesse incepparsi oppure per un qualunque altro motivo l'operazione di taglio con la segatrice dovesse essere interrotta, rilasciare l'interruttore di avvio/arresto e tenere la segatrice in posizione nel materiale fino a quando la lama da taglio non si sarà fermata completamente. Non tentare mai di togliere la segatrice dal pezzo in lavorazione e neppure tirarla all'indietro fintanto che la lama da taglio si muove oppure se ancora sussiste la possibilità di un contraccolpo.** Individuare la possibile causa del blocco della lama da taglio ed eliminarla attraverso interventi adatti.
- ◆ **Volendo avviare nuovamente una segatrice che ancora si trova nel pezzo in lavorazione, centrare la lama nella fessura del taglio ed accertarsi che la dentatura della segatrice non sia rimasta agganciata nel pezzo in lavorazione.** Una lama da taglio inceppata può balzare fuori dal pezzo in lavorazione oppure provocare un contraccolpo nel momento in cui si avvia nuovamente la segatrice.
- ◆ **Per ridurre al minimo il rischio di blocco della lama da taglio e di contraccolpi, assicurare bene i pannelli di grandi dimensioni,** che tendono a piegarsi sotto il proprio peso. Sotto tali pannelli, è necessario inserire da entrambi i lati dei supporti idonei, sia lungo la linea di taglio che lungo i bordi.
- ◆ **Non utilizzare mai lame per segatrice che non siano più affilate oppure il cui stato generale non dovesse essere più perfetto.** Lame per segatrice non più affilate oppure deformate implicano un maggiore attrito nella fessura del taglio aumentando il pericolo di blocchi e di contraccolpi della lama da taglio.
- ◆ **Prima di eseguire l'operazione di taglio, determinare la profondità e l'angolatura del taglio.** Se durante l'operazione di taglio si modificano le registrazioni è possibile che la lama da taglio si blocchi e che si abbia un contraccolpo.

- ◆ **Si prega di operare con particolare attenzione quando si è in procinto di eseguire un "taglio dal centro" in una zona nascosta come potrebbe per esempio essere una parete.** La lama da taglio che inizia il taglio su oggetti nascosti può bloccarsi e provocare un contraccolpo.

Istruzioni di sicurezza per segatrici con paralama

- ◆ **Prima di ogni intervento operativo accertarsi che la calotta di protezione inferiore si chiuda perfettamente. Non utilizzare la segatrice qualora la calotta di protezione inferiore non si muovesse liberamente e non si chiudesse immediatamente. Mai bloccare oppure legare la calotta di protezione inferiore in posizione aperta.** Se la segatrice dovesse accidentalmente cadere a terra è possibile che la calotta di protezione inferiore subisca una deformazione. Operando con la leva di ritorno, aprire la calotta di protezione ed accertarsi che possa muoversi liberamente in ogni angolazione e profondità di taglio senza toccare né la lama né nessun altro pezzo.
- ◆ **Controllare il funzionamento della molla per la calotta di protezione inferiore. Qualora la calotta di protezione e la molla non dovessero funzionare correttamente, sottoporre l'elettrotensile ad un servizio di manutenzione prima di utilizzarlo.** Componenti danneggiati, depositi di sporcizia appiccicosi oppure accumuli di trucioli comportano una riduzione della funzionalità della calotta inferiore di protezione.
- ◆ **Aprire manualmente la calotta inferiore di protezione solo in caso di tagli particolari come potrebbero essere "tagli dal centro e tagli ad angolo". Aprire la calotta inferiore di protezione mediante la leva di ritorno e rilasciarla non appena la lama da taglio sarà penetrata nel pezzo in lavorazione.** Nel caso di ogni altra operazione di taglio la calotta inferiore di protezione deve funzionare automaticamente.
- ◆ **Non appoggiare la segatrice sul banco da lavoro oppure sul pavimento se la calotta inferiore di protezione non copre completamente la lama da taglio.** Una lama da taglio non protetta ed ancora in fase di arresto sposta la segatrice in senso contrario a quello della direzione di taglio e taglia tutto quello che incontra. Tenere quindi sempre in considerazione la fase di arresto della segatrice.

Ulteriori istruzioni di sicurezza per tutti i tipi di segatrici con coltello fenditore

- ◆ **Utilizzare un coltello fenditore che sia adatto alla lama da taglio impiegata.** Lo spessore del coltello fenditore deve essere maggiore dello spessore della lama originale della lama da taglio ma minore della larghezza del dente della lama da taglio.
- ◆ **Regolare il coltello fenditore operando secondo le descrizioni contenute nel Manuale di istruzioni per l'uso.** Uno spessore, una posizione ed un allineamento non conformi possono rendere inefficace il coltello fenditore nel prevenire i contraccolpi.
- ◆ **Utilizzare sempre il coltello fenditore, tranne che in caso di tagli dal centro.** Dopo un taglio dal centro montare di nuovo il coltello fenditore. In caso di tagli dal centro il coltello fenditore disturba e può provocare un contraccolpo.
- ◆ **Perché il coltello fenditore possa funzionare correttamente è necessario che si trovi nella fessura del taglio.** In caso di tagli corti il coltello fenditore è inefficace ai fini di evitare un contraccolpo.
- ◆ **Mai azionare la segatrice con un coltello fenditore deformato.** Una piccola interferenza può già ridurre il funzionamento della calotta di protezione.

Ulteriori istruzioni di sicurezza per le seghe circolari

- ◆ Indossare protezioni acustiche. L'esposizione al rumore può causare la perdita dell'udito.
- ◆ È preferibile indossare una maschera anti-polvere.
- ◆ Non utilizzare lame di diametro maggiore o minore rispetto a quello consigliato. Per il tipo di lama indicato fare riferimento ai dati tecnici. Utilizzare unicamente le lame specificate nel presente manuale, conformi alla normativa EN-847-1.
- ◆ Non impiegare dischi da taglio abrasivi.

Sicurezza elettrica



Il doppio isolamento di cui è provvisto l'utensile rende superfluo il filo di terra. Controllare sempre che l'alimentazione corrisponda alla tensione indicata sulla targhetta delle caratteristiche.

- ◆ L'elettrotensile non deve essere utilizzato da ragazzi o persone inabili senza la supervisione di un adulto. Controllare i bambini per evitare che giochino con l'elettrotensile.
- ◆ Se il cavo elettrico in dotazione risulta danneggiato, deve essere sostituito dal produttore o da un Centro di assistenza autorizzato Black & Decker, onde evitare rischi.

Informazioni generali

1. Interruttore acceso/spento
2. Pulsante di sblocco
3. Impugnatura principale
4. Impugnatura secondaria
5. Pulsante di blocco dell'alberino
6. Piastra
7. Lama della sega
8. Paralama
9. Coltello fenditore
10. Guida parallela
11. Unità laser
12. Chiave la lama della sega
13. Uscita per estrazione polvere

Montaggio

Attenzione! Prima di eseguire il montaggio, accertarsi che l'elettrotensile sia spento, che la spina sia disinserita dalla presa e che la lama sia ferma.

Smontaggio e montaggio di una lama (fig. A)

Smontaggio

- ◆ Mantenere premuto il pulsante di blocco dell'alberino (5) e ruotare la lama fino ad impegnare perfettamente il fermo.
- ◆ Allentare e smontare la vite che fissa la lama (14), ruotandola in senso antiorario utilizzando la chiave (12) in dotazione.
- ◆ Asportare la rondella esterna (15).
- ◆ Togliere la lama della sega (7).

Installazione

- ◆ Collocare la lama sulla flangia interna (16), accertando che le frecce sulle punte della lama siano rivolte nella stessa direzione della freccia sull'elettrotensile.
- ◆ Inserire la rondella esterna (15) sull'alberino, in modo che la parte a rilievo punti in direzione opposta rispetto alla lama della sega.
- ◆ Inserire nel foro la vite che fissa la lama (14).
- ◆ Mantenere premuto il pulsante di blocco dell'alberino (5).
- ◆ Serrare saldamente la vite che fissa la lama, ruotandola in senso orario utilizzando la chiave (12) in dotazione.
- ◆ Regolare il coltello fenditore come descritto di seguito.

Regolazione del coltello fenditore (fig. B)

Il coltello fenditore impedisce alla lama della sega di saltare durante le operazioni di taglio secondo la fibra. Dopo la sostituzione della lama, è necessario regolare il coltello fenditore.

- ◆ Allentare le viti (17), utilizzando la chiave (12), mantenendo in posizione il coltello fenditore. È necessario ridurre la profondità di taglio per poter accedere alle viti.
- ◆ Regolare il coltello fenditore (9) come mostrato.

- ◆ La distanza tra la corona dentata e il coltello fenditore non deve essere superiore a 2-3 mm.
- ◆ La distanza in altezza tra la corona dentata e l'estremità inferiore del coltello fenditore deve essere di 2-3 mm.
- ◆ Stringere le viti.

Montaggio e smontaggio della guida parallela (fig. C)

- ◆ La guida parallela viene impiegata per effettuare tagli dritti, paralleli al bordo del pezzo in lavorazione.

Installazione

- ◆ Allentare la manopola di bloccaggio (18).
- ◆ Inserire la guida parallela (10) attraverso le aperture (19).
- ◆ Far scivolare la guida parallela nella posizione desiderata.
- ◆ Stringere la manopola di bloccaggio.

Smontaggio

- ◆ Allentare la manopola di bloccaggio.
- ◆ Asportare la guida parallela dall'elettrotensile.

Uso

Attenzione! Lasciare che l'utensile lavori al suo ritmo, senza sovraccaricarlo.

Questo elettrotensile può essere usato con la mano sinistra o la destra.

Regolazione dell'angolo della lama (fig. D)

L'angolo predefinito fra la lama della sega e la piastra è di 90°.

- ◆ Utilizzare una squadra per verificare che l'angolo fra la lama della sega e la piastra sia di 90°. In caso contrario procedere alla regolazione come descritto di seguito:
- ◆ Allentare la manopola di bloccaggio (20) per sbloccare la piastra della sega.
- ◆ Stringere o allentare le viti di regolazione (21) per ottenere un angolo di 90°.
- ◆ Serrare la manopola di bloccaggio per bloccare in posizione la piastra della sega.

Regolazione della profondità di taglio (fig. E)

La profondità del taglio deve essere impostata in base allo spessore del pezzo da lavorare e deve superarlo di circa 2 mm.

- ◆ Allentare la leva (22) per sbloccare la piastra della sega.
- ◆ Spostare la piastra della sega (6) nella posizione desiderata. La profondità di taglio corrispondente è leggibile sulla scala (23).
- ◆ Serrare la leva per bloccare in posizione la piastra della sega.

Regolazione dell'angolo di taglio inclinato (fig. F)

Questo elettrotensile può essere impostato su un angolo di taglio inclinato compreso fra 0° e 45°.

- ◆ Allentare la manopola di bloccaggio (20) per sbloccare la piastra della sega.
- ◆ Spostare la piastra della sega (6) nella posizione desiderata. L'angolo di taglio inclinato corrispondente è leggibile sulla scala (24).
- ◆ Serrare la manopola di bloccaggio per bloccare in posizione la piastra della sega.

Avviamento e spegnimento

- ◆ Per accendere l'elettrotensile, spostare il pulsante di sblocco (2) in posizione sbloccata e spingere l'interruttore on/off (1).
- ◆ Per spegnere l'elettrotensile, rilasciare l'interruttore di on/off.

Taglio

Sostenere sempre l'elettrotensile con entrambe le mani.

- ◆ Prima di iniziare il taglio, lasciare funzionare a vuoto la lama per pochi secondi.
- ◆ Quando si esegue il taglio, esercitare solo una leggera pressione sull'elettrotensile.
- ◆ Lavorare con la piastra premuta contro il pezzo in lavorazione.

Consigli per un'ottima utilizzazione

- ◆ Poiché è impossibile evitare la scheggiatura lungo la linea di taglio sul lato superiore del pezzo, il taglio deve essere effettuato in un punto in cui la scheggiatura è accettabile.
- ◆ Nei casi in cui è necessario ottenere un taglio pulito, ad esempio per il taglio di laminati, fissare un pezzo di compensato sopra al pezzo da lavorare.

Uso della guida visiva (fig. G)

L'elettrotensile è dotato di una guida visiva per tagli rettilinei (25) e per tagli a 45° (26).

- ◆ Regolare la guida visiva come descritto di seguito.
- ◆ Allineare il bordo sinistro delle guide (25) o (26) con la linea di taglio (27).
- ◆ Mentre si adopera la sega, mantenere la guida visiva allineata con la linea di taglio.
- ◆ Lavorare con la piastra premuta contro il pezzo in lavorazione.

Regolazione della guida visiva

- ◆ Eseguire un taglio di prova a metà su un pezzo di scarto.
- ◆ Tirare indietro la sega in modo da rendere visibile la linea di taglio (27).
- ◆ Con la sega ferma in questa posizione, allentare la guida visiva sulla piastra come illustrato.
- ◆ Allineare alla linea di taglio (27) il contrassegno di 0° (25) sulla guida visiva.

Quando l'elettrotensile viene preparato per i tagli a 45°, allineare con la linea di taglio il contrassegno di 45° (26) sulla guida visiva.

- ◆ Fissare la guida visiva mediante le viti (28).

Come utilizzare il laser (fig.H)

È facile seguire la linea del taglio se la si osserva direttamente da sopra la sega. Se, per qualsiasi motivo, la vista risulta ostacolata, è possibile usare il laser come guida alternativa per il taglio.

Prima di installare l'unità laser, è necessario ritirare il piedino anteriore (29).

- ◆ Posizionare l'unità sulla guida visiva.
- ◆ Spingere i piedini posteriori (30) nei fori corrispondenti (31).
- ◆ Posizionare la sega sopra la linea di taglio.
- ◆ Accendere il laser.

Consultare anche il manuale dell'unità laser.

Aspirazione polveri (fig. I)

L'uscita per l'estrazione della polvere consente di collegare un aspirapolvere all'elettrotensile.

- ◆ Connettere il flessibile (11) dell'aspirapolvere all'uscita (13).

Manutenzione

Questo elettrotensile è stato progettato per funzionare a lungo con un minimo di manutenzione. Per un funzionamento sempre soddisfacente è necessario avere cura dell'elettrotensile e provvedere alla regolare pulizia.

Attenzione! Prima di eseguire qualsiasi intervento di manutenzione, spegnere l'elettrotensile e disinserire la spina dalla presa.

- ◆ Le feritoie di ventilazione dell'elettrotensile devono essere pulite regolarmente con un pennello morbido o un panno asciutto.
- ◆ Il vano del motore deve essere pulito regolarmente con un panno umido. Non usare materiali abrasivi o detergenti a base di solventi.

Protezione dell'ambiente



Raccolta differenziata. Questo prodotto non deve essere smaltito con i normali rifiuti domestici.

Nel caso in cui si decida di sostituire l'apparecchio oppure di disfarsene in quanto non più necessario, non dovrà essere smaltito con i normali rifiuti domestici. Smaltire il prodotto tramite raccolta differenziata.



La raccolta differenziata di prodotti e imballaggi usati, consente il riciclaggio e il riutilizzo dei materiali. Riutilizzare i materiali riciclati aiuta a prevenire l'inquinamento ambientale e riduce la richiesta di materie prime.

In base alle normative locali, i servizi per la raccolta differenziata di elettrodomestici possono essere disponibili presso i punti di raccolta municipali o presso il rivenditore, al momento dell'acquisto di un nuovo prodotto.

Black & Decker offre ai suoi clienti un servizio per la raccolta differenziata e la possibilità di riciclare i prodotti Black & Decker che hanno esaurito la loro durata in servizio. Per usufruire del servizio, è sufficiente restituire il prodotto a qualsiasi tecnico autorizzato, incaricato della raccolta per conto dell'azienda.

Per individuare il tecnico autorizzato più vicino, rivolgersi alla sede Black & Decker locale, presso il recapito indicato nel presente manuale. Altrimenti un elenco completo di tutti i tecnici autorizzati Black & Decker e i dettagli completi sui contatti e i servizi post-vendita sono disponibili sul sito Internet: www.2helpU.com

Dati tecnici

	XTS1660	
Tensione	V _{AC}	230
Potenza assorbita	W	1.600
Velocità a vuoto	min ⁻¹	5.000
Profondità massima di taglio	mm	65
Diametro della lama	mm	190
Alesaggio della lama	mm	16
Larghezza delle punte della lama	mm	2,2
Peso	kg	5,8

Dichiarazione CE di Conformità

XTS1660

Black & Decker dichiara che i presenti prodotti sono conformi a:

98/37/CEE, 89/336/CEE, EN 60745, EN 55014, EN 61000

L_{pA} (pressione sonora) 102 dB(A), L_{WA} (potenza acustica) 113 dB(A), vibrazione misurata su braccio / mano 1,92 m/s²

K_{pA} (incertezza sulla pressione sonora) 3 dB(A),

K_{WA} (incertezza sulla potenza acustica) 3 dB(A)



Kevin Hewitt

Direttore tecnico prodotti di consumo
Spennymoor, County Durham DL16 6JG,
Regno Unito
1-1-2006

L'estensione della garanzia non è valida se:

- ◆ non viene prodotta una prova d'acquisto e il certificato di garanzia originale.

Registrate subito i vostri prodotti on-line sul sito www.blackanddecker.it/xt per poter usufruire dell'estensione di garanzia (3 anni) e tenervi aggiornati sui nuovi prodotti e sulle offerte speciali.

Per avvalersi della garanzia è necessario esibire la prova d'acquisto al venditore o al tecnico autorizzato. Per individuare il tecnico autorizzato più vicino, rivolgersi alla sede Black & Decker locale, presso il recapito indicato nel presente manuale. Altrimenti un elenco completo di tutti i tecnici autorizzati Black & Decker e i dettagli completi sui contatti e i servizi post-vendita sono disponibili sul sito Internet: **www.2helpU.com**

Garanzia

Certa della qualità dei suoi prodotti, Black & Decker offre una garanzia eccezionale. Il presente certificato di garanzia è complementare ai diritti statutari e non li pregiudica in alcun modo. La garanzia è valida entro il territorio degli Stati membri dell'Unione Europea e dell'EFTA (European Free Trade Area).



Se un prodotto Black & Decker (escluso accessori, complementi, batterie, caricabatterie e mandrini) risulta difettoso per qualità del materiale, della costruzione o per mancata conformità, entro 3 anni dalla data di acquisto, Black & Decker garantirà la sostituzione di tutte le parti difettose, provvederà alla riparazione dei prodotti se ragionevolmente usurati, oppure alla loro sostituzione, purché il prodotto sia stato registrato sul sito web Black & Decker XT dedicato ai certificati di garanzie, entro 90 giorni dalla data dell'acquisto. Se il prodotto non è stato registrato, rimarrà valida la garanzia standard (2 anni).

La garanzia non è valida se:

- ◆ Il prodotto è stato destinato ad usi commerciali, professionali o al noleggio;
- ◆ Il prodotto è stato usato in modo improprio o scorretto;
- ◆ Il prodotto ha subito danni causati da oggetti o sostanze estranee oppure incidenti;
- ◆ Le riparazioni sono state eseguite da personale non autorizzato;
- ◆ Il prodotto è stato modificato in qualunque modo rispetto alle specifiche originali;
- ◆ Sono stati utilizzati accessori o complementi non idonei.

Ulteriori informazioni sul marchio Black & Decker e sulla nostra gamma di prodotti sono disponibili all'indirizzo **www.blackanddecker.it**

Gebruik volgens bestemming

Uw Black & Decker cirkelzaag is ontwikkeld voor het zagen van hout en houtproducten. Deze machine is uitsluitend bestemd voor consumentengebruik.

Algemene veiligheidsvoorschriften

Waarschuwing! Lees alle voorschriften. Wanneer de volgende voorschriften niet in acht worden genomen, kan dit een elektrische schok, brand of ernstig letsel tot gevolg hebben. Het hierna gebruikte begrip "elektrisch gereedschap" heeft betrekking op elektrische gereedschappen voor gebruik op het stroomnet (met netsnoer) of op accu (snoerloos). **BEWAAR DEZE VOORSCHRIFTEN GOED.**

1. Werkomgeving

a. Houd uw werkomgeving schoon en opgeruimd.

Een rommelige of onverlichte werkomgeving kan tot ongevallen leiden.

b. Werk met de machine niet in een omgeving met explosiegevaar, zoals in de nabijheid van brandbare vloeistoffen, gasen of stof bevinden.

Elektrische gereedschappen veroorzaken vonken die het stof of de dampen tot ontsteking kunnen brengen.

c. Houd kinderen en andere personen tijdens het gebruik van het elektrische gereedschap uit de buurt. Wanneer u wordt afgeleid, kunt u de controle over het gereedschap verliezen.

2. Elektrische veiligheid

a. De netstekker van het gereedschap moet in het stopcontact passen. De stekker mag in geen geval worden veranderd. Gebruik geen adapterstekkers in combinatie met geaarde gereedschappen.

Onveranderde stekkers en passende stopcontacten beperken het risico van een elektrische schok.

b. Voorkom aanraking van het lichaam met geaarde oppervlakken, bijvoorbeeld buizen, verwarmingen, fornuizen en koelkasten. Er bestaat een verhoogd risico voor een elektrische schok wanneer uw lichaam geaard is.

c. Houd het gereedschap uit de buurt van regen en vocht. Het binnendringen van water in het elektrische gereedschap vergroot het risico van een elektrische schok.

d. Gebruik het snoer niet voor een verkeerd doel. Gebruik het snoer niet om het gereedschap te dragen of op te hangen of om de stekker uit het stopcontact te trekken. Houd het snoer uit de buurt van hitte, olie, scherpe randen of bewegende delen. Beschadigde of in de war geraakte snoeren vergroten het risico van een elektrische schok.

e. Wanneer u buitenshuis met elektrisch gereedschap werkt, dient u alleen verlengsnoeren te gebruiken die voor gebruik buitenshuis zijn goedgekeurd.

Het gebruik van een voor gebruik buitenshuis geschikt verlengsnoer beperkt het risico van een elektrische schok.

3. Veiligheid van personen

a. Wees alert, let goed op wat u doet en ga met verstand te werk bij het gebruik van elektrische gereedschappen. Gebruik elektrisch gereedschap niet wanneer u moe bent of onder invloed van drugs, alcohol of medicijnen.

Een moment van onoplettendheid bij het gebruik van het gereedschap kan tot ernstige verwondingen leiden.

b. Draag persoonlijke beschermende uitrusting. Draag altijd een veiligheidsbril. Het dragen van persoonlijke beschermende uitrusting zoals een stofmasker, slijpveste werkschoenen, een veiligheidshelm of gehoorbescherming, afhankelijk van de aard en het gebruik van het elektrische gereedschap, vermindert het risico van verwondingen.

c. Voorkom per ongeluk inschakelen. Controleer of de schakelaar in de uit-stand staat voordat u de stekker in het stopcontact steekt. Wanneer u bij het dragen van het gereedschap uw vinger aan de schakelaar hebt of wanneer u het gereedschap ingeschakeld op de stroomvoorziening aansluit, kan dit tot ongevallen leiden.

d. Verwijder instelgereedschappen of schroefslutels voordat u het gereedschap inschakelt.

Een instelgereedschap of sleutel in een draaiend deel van het gereedschap kan tot verwondingen leiden.

e. Reik niet te ver. Zorg er altijd voor dat u stevig staat en in evenwicht blijft. Daardoor kunt u het gereedschap in onverwachte situaties beter onder controle houden.

f. Draag geschikte kleding. Draag geen loshangende kleding of sieraden. Houd haren, kleding en handschoenen uit de buurt van bewegende delen.

Loshangende kleding, sieraden en lange haren kunnen door bewegende delen worden meegenomen.

g. Wanneer stofafzuigings- of stofopvangvoorzieningen kunnen worden gemonteerd, dient u zich ervan te verzekeren dat deze zijn aangesloten en juist worden gebruikt. Het gebruik van deze voorzieningen beperkt het gevaar door stof.

4. Gebruik en onderhoud van elektrische gereedschappen

a. Overbelast het gereedschap niet. Gebruik voor uw toepassing het daarvoor bestemde elektrische gereedschap. Met het passende elektrische gereedschap werkt u beter en veiliger binnen het aangegeven capaciteitsbereik.

- b. **Gebruik geen elektrisch gereedschap waarvan de schakelaar defect is.** Elektrisch gereedschap dat niet meer kan worden in- of uitgeschakeld, is gevaarlijk en moet worden gerepareerd.
- c. **Trek de stekker uit het stopcontact voordat u het gereedschap instelt, toebehoren wisselt of het gereedschap weglegt.** Deze voorzorgsmaatregel voorkomt onbedoeld starten van het gereedschap.
- d. **Bewaar niet-gebruikte elektrische gereedschappen buiten bereik van kinderen. Laat het gereedschap niet gebruiken door personen die er niet mee vertrouwd zijn en deze aanwijzingen niet hebben gelezen.** Elektrische gereedschappen zijn gevaarlijk wanneer deze door onervaren personen worden gebruikt.
- e. **Verzorg het gereedschap zorgvuldig. Controleer of bewegende delen van het gereedschap correct functioneren en niet vastklemmen en of onderdelen zodanig gebroken of beschadigd zijn dat de werking van het gereedschap nadelig wordt beïnvloed. Laat beschadigde delen repareren voordat u het gereedschap gebruikt.** Veel ongevallen worden veroorzaakt door slecht onderhouden elektrische gereedschappen.
- f. **Houd snijdende inzetgereedschappen scherp en schoon.** Zorgvuldig onderhouden snijdende inzetgereedschappen met scherpe snijkanten klemmen minder snel vast en zijn gemakkelijker te geleiden.
- g. **Gebruik elektrische gereedschappen, toebehoren, inzetgereedschappen en dergelijke volgens deze aanwijzingen en zoals voor dit speciale gereedschapstype voorgeschreven. Let daarbij op de arbeidsomstandigheden en de uit te voeren werkzaamheden.** Het gebruik van elektrische gereedschappen voor andere dan de voorziene toepassingen kan tot gevaarlijke situaties leiden.

5. Service

- a. **Laat het gereedschap alleen repareren door gekwalificeerd en vakkundig personeel en alleen met originele vervangingsonderdelen.** Daarmee wordt de veiligheid van het gereedschap gewaarborgd.

Veiligheidsvoorschriften voor alle zagen

Gevaar:

- ◆ **Houd uw handen uit de buurt van de zaagomgeving en het zaagblad. Houd met uw andere hand de extra handgreep of het motorhuis vast.** Als u de zaagmachine met beide handen vasthoudt, kan het zaagblad ze niet verwonden.

- ◆ **Grijp niet onder het werkstuk.** De beschermkap kan u onder het werkstuk niet tegen het zaagblad beschermen.
- ◆ **Pas de zaagdiepte aan de dikte van het werkstuk aan.** Er dient minder dan een volledige tandhoogte onder het werkstuk zichtbaar te zijn.
- ◆ **Houdt het te zagen werkstuk nooit in uw hand of op uw been vast. Klem het werkstuk op een stabiele ondergrond vast.** Het is belangrijk om het werkstuk goed te ondersteunen om het gevaar van contact met het lichaam, vastklemmen van het zaagblad of verlies van de controle te minimaliseren.
- ◆ **Houd de machine alleen aan de geïsoleerde greepvlakken vast als u werkzaamheden uitvoert waarbij het zaagblad verborgen stroomleidingen of de eigen machinekabel kan raken.** Het contact met een onder spanning staande leiding zet ook de zichtbare metalen machinedelen onder spanning en leidt tot een elektrische schok.
- ◆ **Gebruik bij het schulpen altijd een paralleelaanslag of een langseleider.** Dit verbetert de zaagnauwkeurigheid en verkleint de mogelijkheid dat het zaagblad vastklemt.
- ◆ **Gebruik altijd zaagbladen met de juiste maat en vorm (stervormig of rond) van het asgat.** Zaagbladen die niet bij de montagedelen van de zaagmachine passen, lopen niet rond, wat leidt tot controleverlies.
- ◆ **Gebruik nooit beschadigde of verkeerde sluitingen of borgbout voor het zaagblad.** De sluitingen en borgbout voor het zaagblad zijn speciaal geconstrueerd voor deze zaagmachine, voor optimaal vermogen en optimale bedrijfszekerheid.

Aanvullende veiligheidsvoorschriften voor alle zagen Oorzaken en voorkoming van een terugslag:

- een terugslag is de plotselinge reactie als gevolg van een vasthakend, klemmend of verkeerd afgesteld zaagblad, waardoor een ongecontroleerde zaagmachine uit het werkstuk omhoogkomt en in de richting van de gebruiker beweegt;
- als het zaagblad in de zich sluitende zaagsnede vasthaakt of vastklemt, wordt het geblokkeerd en slaat de motorkracht de machine in de richting van de gebruiker terug;
- als het zaagblad in de zaagsnede wordt gedraaid of verkeerd wordt gericht, kunnen de tanden van de achterste zaagbladrand in het oppervlak van het werkstuk vasthaken, waardoor het zaagblad uit de zaagsnede beweegt en achteruitspringt in de richting van de gebruiker.

Een terugslag is het gevolg van het verkeerd gebruik of onjuiste gebruiksomstandigheden van de zaagmachine. Terugslag kan worden voorkomen door geschikte voorzorgsmaatregelen, zoals hieronder beschreven, te nemen.

- ◆ **Houd de zaagmachine met beide handen vast en houd uw armen zo dat u stand kunt houden ten opzichte van de terugslagkrachten. Blijf altijd opzij van het zaagblad en breng het zaagblad nooit in één lijn met uw lichaam.** Bij een terugslag kan de zaagmachine achteruit springen. De bedienende persoon kan de terugslagkrachten echter beheersen wanneer geschikte voorzorgsmaatregelen zijn getroffen.
- ◆ **Als het zaagblad vastklemt of het zagen om een andere reden wordt onderbroken, laat u de aan/uitschakelaar los en houdt de zaagmachine in het materiaal rustig tot het zaagblad volledig stilstaat. Probeer nooit om de zaagmachine uit het werkstuk te verwijderen of de machine achteruit te trekken zolang het zaagblad beweegt of een terugslag kan optreden.** Spoor de oorzaak van het klemmen van het zaagblad op neem maatregelen om de oorzaak te voorkomen.
- ◆ **Als u een zaagmachine die in het werkstuk steekt weer wilt starten, centreert u het zaagblad in de zaagsnede en controleert of de zaagtanden niet in het materiaal zijn vastgehaakt.** Als het zaagblad klemt, kan het uit het werkstuk bewegen of een terugslag veroorzaken als de zaagmachine opnieuw wordt gestart.
- ◆ **Ondersteun grote platen om het risico van een terugslag door een klemmend zaagblad te beperken. Grote platen kunnen onder hun eigen gewicht doorbuigen.** Platen moeten aan beide zijden worden ondersteund, in de buurt van de zaagsnede en aan de rand.
- ◆ **Gebruik geen stompe of beschadigde zaagbladen.** Zaagbladen met stompe of verkeerd gerichte tanden maken een te nauwe zaagsnede, wat leidt tot een verhoogde wrijving, vastklemmen van het zaagblad of terugslag.
- ◆ **Zorg ervoor dat de instellingen voor de zaagdiepte en de zaaghoek voor het zagen vastgedraaid zijn.** Als tijdens het zagen de instellingen veranderen, kan het zaagblad vastklemmen kan een terugslag optreden.
- ◆ **Wees extra voorzichtig bij het maken van een invallende zaagsnede in een bestaande wand of in een ander verborgen gedeelte.** Het invallende zaagblad kan voorwerpen raken waardoor een terugslag kan optreden.

Veiligheidsvoorschriften voor zagen met een pendulum-zaagbladbeschermer

- ◆ **Controleer voor elk gebruik of de onderste beschermkap correct sluit. Gebruik de zaagmachine niet als de onderste beschermkap niet vrij kan bewegen en niet onmiddellijk sluit. Klem of bind de onderste beschermkap nooit in de geopende stand vast.** Als de zaagmachine op de vloer valt, kan de onderste beschermkap worden verbogen.

Open de beschermkap met de terugtrekhandel en controleer of hij vrij beweegt en bij alle zaaghoeken en zaagdiepten het zaagblad of andere delen niet aanraakt.

- ◆ **Controleer de functie van de veer voor de onderste beschermkap. Laat voor gebruik de beschermkap en de veer nakijken als zij niet naar behoren functioneren.** Door beschadigde delen, plakkende aanslag of ophoping van spanen kan de onderste beschermkap vertraagd functioneren.
- ◆ **Open de onderste beschermkap alleen met de hand bij bijzondere zaagwerkzaamheden, zoals invallend zagen en haaks zagen. Open de onderste beschermkap met de terugtrekhandel en laat hem los zodra het zaagblad in het werkstuk is binnengedrongen.** Bij alle andere zaagwerkzaamheden moet de onderste beschermkap automatisch werken.
- ◆ **Let er altijd op dat de onderste beschermkap het zaagblad bedekt voordat u de zaagmachine op een werkbank of op de vloer legt.** Een onbeschermd uitlopend zaagblad beweegt de zaagmachine tegen de zaagrichting en zaagt wat er in de weg komt. Let op de uitlooptijd van het zaagblad nadat de machine is uitgeschakeld.

Aanvullende veiligheidsvoorschriften voor alle zagen met een spouwmes

- ◆ **Gebruik het juiste spouwmes bij het toegepaste zaagblad.** Voor een juiste werking moet het spouwmes dikker zijn dan het zaagblad maar dunner dan de tandbreedte van het blad.
- ◆ **Stel het spouwmes in zoals in deze gebruiksaanwijzing beschreven.** Verkeerde dikte, positie en uitlijning kunnen een reden zijn dat het spouwmes een terugslag niet effectief voorkomt.
- ◆ **Gebruik altijd het spouwmes, behalve bij invallend zagen.** Breng het spouwmes na het invallend zagen weer aan. Het spouwmes stoort bij invallend zagen en kan een terugslag veroorzaken.
- ◆ **Voor een juiste werking moet het spouwmes zich in het werkstuk bevinden.** Bij kort zagen is het spouwmes niet werkzaam ter voorkoming van een terugslag.
- ◆ **Gebruik de zaagmachine niet met een verborgen spouwmes.** Slechts een geringe storing kan het sluiten van de beschermkap verlangzamen.

Aanvullende veiligheidsvoorschriften voor cirkelzagen

- ◆ Draag gehoorbescherming. Blootstelling aan lawaai kan gehoorbeschadiging veroorzaken.
- ◆ Draag bij voorkeur een stofmasker.
- ◆ Gebruik geen zaagblad met een grotere of kleinere diameter dan is voorgeschreven. Voor de juiste specificaties van het zaagblad, zie technische gegevens.

Gebruik alleen de bladen die in deze handleiding worden gespecificeerd en voldoen aan EN 847-1.

- ◆ Gebruik nooit doorslijpschijven.

Elektrische veiligheid



Deze machine is dubbel geïsoleerd; een aardaansluiting is daarom niet noodzakelijk. Controleer altijd of uw netspanning overeenkomt met de waarde op het typeplaatje.

- ◆ Dit apparaat is niet bedoeld voor gebruik door jonge of lichamelijk zwakke personen zonder toezicht. Houd toezicht op kinderen om ervoor te zorgen dat zij niet met het apparaat gaan spelen.
- ◆ Indien het netsnoer is beschadigd, dient het ter voorkoming van gevaren te worden vervangen door de fabrikant of een erkend servicecentrum.

Overzicht

1. Aan/uit-schakelaar
2. Ontgrendelingsknop
3. Hoofdhandgreep
4. Extra handgreep
5. Asvergrendelingsknop
6. Schoen
7. Zaagblad
8. Beschermkap voor zaagblad
9. Spouwmes
10. Parallel-langsgelieder
11. Laser
12. Zaagbladsleutel
13. Stofafzuigaansluiting

Assemblage

Waarschuwing! Zorg vóór aanvang van de montage dat de machine is uitgeschakeld en de netstekker van het lichtnet is losgekoppeld en dat het zaagblad stil staat.

Verwijderen en aanbrengen van een zaagblad (fig. A)

Verwijderen

- ◆ Houd de asvergrendelingsknop (5) ingedrukt en draai het blad totdat de asvergrendeling volledig inkomt.
- ◆ Draai de borgschroef (14) van het zaagblad los en verwijder de schroef door hem linksom te draaien met behulp van de meegeleverde steeksleutel (12).
- ◆ Verwijder de buitenste sluitring (15).
- ◆ Verwijder het zaagblad (7).

Aanbrengen

- ◆ Plaats het zaagblad op de binnenste flens (16). Zorg ervoor dat de pijl op het zaagblad in dezelfde richting wijst als de pijl op de machine.
- ◆ Breng de buitenste sluitring (15) aan op de spil, met het verhoogde gedeelte van het zaagblad af.
- ◆ Steek de borgschroef (14) van het zaagblad in het gat.
- ◆ Houd de asvergrendelingsknop (5) ingedrukt.
- ◆ Draai de borgschroef van het zaagblad goed vast door hem rechtsom te draaien met behulp van de meegeleverde steeksleutel (12).
- ◆ Stel het spouwmes in zoals hieronder beschreven.

Instellen van het spouwmes (fig. B)

Het spouwmes voorkomt dat het zaagblad tijdens schulpzaaghandelingen vastloopt. Het spouwmes moet na elke zaagbladverwisseling opnieuw ingesteld worden.

- ◆ Draai de schroeven (17) los met behulp van de sleutel (12) terwijl u het spouwmes op zijn plaats houdt. U dient de zaagdiepte te verminderen om toegang tot de schroeven te verkrijgen.
- ◆ Positioneer het spouwmes (9) zoals afgebeeld.
- ◆ De afstand tussen de zaagtanden en het spouwmes moet 2 - 3 mm bedragen.
- ◆ Het hoogteverschil tussen de zaagtanden en de onderkant van het spouwmes moet 2 - 3 mm bedragen.
- ◆ Draai de schroeven vast.

Aanbrengen en verwijderen van de parallel-langsgelieder (fig. C)

- ◆ De parallel-langsgelieder wordt gebruikt om in een rechte lijn, parallel aan de rand van het werkstuk, te kunnen zagen.

Aanbrengen

- ◆ Draai de vergrendelingsknop (18) los.
- ◆ Steek de parallel-langsgelieder (10) door de openingen (19).
- ◆ Schuif de parallel-langsgelieder naar de gewenste stand.
- ◆ Draai de vergrendelingsknop vast.

Verwijderen

- ◆ Draai de vergrendelingsknop los.
- ◆ Trek de parallel-langsgelieder uit de machine.

Gebruik

Waarschuwing! Laat de machine op haar eigen tempo werken. Niet overbelasten.

Deze machine kan zowel in de linker- als de rechterhand worden gebruikt.

Instellen van de hoek van het zaagblad (fig. D)

De standaard hoek tussen het zaagblad en de schoen is 90°.

- ◆ Gebruik een winkelhaak om te controleren of de hoek tussen het zaagblad en de schoen 90° bedraagt. Verricht de volgende afstelling wanneer de hoek geen 90° meet:
- ◆ Draai de vergrendelingsknop (20) los om de zaagschoen te ontgrendelen.
- ◆ Schroef de afstelschroef (21) in of uit om een hoek van 90° te verkrijgen.
- ◆ Draai de vergrendelingsknop vast om de zaagschoen op zijn plaats vast te zetten.

Instellen van de freesdiepte (fig. F)

De zaagdiepte moet worden ingesteld afhankelijk van de dikte van het werkstuk. De zaagdiepte moet ongeveer 2 mm groter zijn dan de dikte van het werkstuk.

- ◆ Draai de hendel (22) los om de zaagschoen te ontgrendelen.
- ◆ Beweeg de zaagschoen (6) naar de gewenste stand. De overeenkomstige zaagdiepte kan worden afgelezen van de schaal aanduiding (23).
- ◆ Draai de hendel vast om de zaagschoen op zijn plaats vast te zetten.

Instelling van de afschuinhoek (fig. F)

Deze machine kan worden ingesteld op afschuinhoeken tussen 0° en 45°.

- ◆ Draai de vergrendelingsknop (20) los om de zaagschoen te ontgrendelen.
- ◆ Beweeg de zaagschoen (6) naar de gewenste stand. De overeenkomstige afschuinhoek kan worden afgelezen van de schaal aanduiding (24).
- ◆ Draai de vergrendelingsknop vast om de zaagschoen op zijn plaats vast te zetten.

Aan- en uitschakelen

- ◆ Om de machine in te schakelen, beweegt u de ontgrendelingsknop (2) naar de ontgrendelde stand en knijpt u de aan/uitschakelaar (1) in.
- ◆ Om het apparaat uit te schakelen, laat u de aan/uitschakelaar los.

Zagen

Houd de machine altijd met beide handen vast.

- ◆ Laat het zaagblad een paar seconden vrij draaien voordat u een zaagsnede maakt.
- ◆ Oefen alleen een lichte druk uit op de machine tijdens het maken van de zaagsnede.
- ◆ Werk met de zaagschoen tegen het werkstuk gedrukt.

Tips voor optimaal gebruik

- ◆ Omdat er langs de zaaglijn aan de bovenzijde van het werkstuk altijd enige houtversplintering zal ontstaan, kunt u het beste zagen aan de zijde waar versplintering aanvaardbaar is.
- ◆ Als versplintering geminimaliseerd moet worden, zoals bij het verzagen van laminaten, kunt u een stuk triplex bovenop het werkstuk vastklemmen.

Gebruiken van de optische geleider (fig. G)

De zaag is uitgerust met een optische geleider voor recht zagen (25) en voor het zagen van verstekhoeken van 45° (26).

- ◆ Stel de optische geleider af zoals hieronder beschreven.
- ◆ Breng de linkerrand van de geleiders (25) of (26) op één lijn met de zaaglijn (27).
- ◆ Houd de optische geleider tijdens het zagen op één lijn met de zaaglijn.
- ◆ Werk met de zaagschoen tegen het werkstuk gedrukt.

Afstellen van de optische geleider

- ◆ Maak een proefzaagsnede tot halverwege in een stuk afvalhout.
- ◆ Trek de zaag terug zodat de zaaglijn (27) zichtbaar wordt.
- ◆ Houd de zaag in deze positie en maak de optische geleider op de zaagschoen los, zoals afgebeeld.
- ◆ Breng de 0°-markering (25) op één lijn met de zaaglijn (27). Bij de instelling voor een verstekhoek van 45° brengt u de 45°-markering (26) op één lijn met de zaaglijn.
- ◆ Zet de optische geleider vast met behulp van de schroeven (28).

De laser gebruiken (fig. H)

De zaagsnede kan gemakkelijk van boven de zaag worden gevolgd. Mocht de zaagsnede toch niet te zien zijn, dan kan de laser als alternatieve zaaggeleider worden gebruikt.

Voordat de laser wordt geïnstalleerd, dient de poot aan de voorkant (29) ingeklapt te worden.

- ◆ Plaats de eenheid op de optische geleider.
- ◆ Druk de achterste voeten (30) in de overeenkomstige bevestigingsgaten (31).
- ◆ Plaats de zaag boven de lijn.
- ◆ Schakel de laser in.

Zie ook de handleiding van de laser.

Stofafzuiging (fig. I)

Met de stofafzuigaansluiting kunt u een stofzuiger op de machine aansluiten.

- ◆ Sluit de stofzuigermond (11) aan op de aansluiting (13).

Onderhoud

Dit gereedschap is ontworpen om gedurende langere periode te functioneren met een minimum aan onderhoud.

Voortdurend tevreden gebruik is afhankelijk van correct onderhoud en regelmatig schoonmaken.

Waarschuwing! Zorg vóór aanvang van onderhoudswerkzaamheden dat de machine is uitgeschakeld en de netstekker van het lichtnet is losgekoppeld.

- ◆ Reinig regelmatig de ventilatieopeningen van uw machine met een zachte borstel of een droge doek.
- ◆ Reinig regelmatig de behuizing van de motor met een vochtige doek. Gebruik geen schuur- of oplosmiddel.

Milieu



Gescheiden inzameling. Dit product mag niet met het gewone huishoudelijke afval worden weggegooid.

Wanneer uw oude Black & Deckerproduct aan vervanging toe is of het u niet langer van dienst kan zijn, gooi het dan niet bij het huishoudelijk afval. Zorg ervoor dat het product gescheiden kan worden ingezameld.



Door gebruikte producten en verpakkingen gescheiden in te zamelen, worden de materialen gerecycled en opnieuw gebruikt. Hergebruik van gerecyclede materialen voorkomt milieuvuiling en vermindert de vraag naar grondstoffen.

Inzamelpunten voor gescheiden inzameling van elektrische huishoudproducten bij gemeentelijke vuilnisbergen of bij de verkoper waar u een nieuw product koopt, kunnen aan plaatselijke voorschriften gebonden zijn.

Black & Decker biedt de mogelijkheid tot inzamelen en recyclen van afgedankte Black & Decker producten. Om gebruik van deze service te maken, dient u het product aan een van onze servicecentra te sturen, die voor ons de inzameling verzorgen.

U kunt het adres van het dichtstbijzijnde servicecentrum opvragen via de adressen op de achterzijde van deze handleiding. U kunt ook een lijst van onze servicecentra en meer informatie m.b.t. onze klantenservice vinden op het volgende Internet-adres: www.2helpU.com

Technische gegevens

	XTS1660	
Spanning	V _{AC}	230
Opgenomen vermogen	W	1.600
Onbelast toerental	min ⁻¹	5.000
Max. freesdiepte	mm	65
Zaagbladdiameter	mm	190
Asgat	mm	16
Breedte van de zaagbladpunten	mm	2,2
Gewicht	kg	5,8

EG-conformiteitsverklaring

XTS1660

Black & Decker verklaart dat deze producten in overeenstemming zijn met:

98/37/EEG, 89/336/EEG, EN 60745, EN 55014, EN 61000

L_{DA} (geluidsdruk) 102 dB(A), L_{WA} (geluidsvermogen) 113 dB(A),
gewogen kwadratische gemiddelde waarde van de versnelling
1,92 m/s²

K_{DA} (meetonzekerheid geluidsdruk) 3 dB(A),

K_{WA} (meetonzekerheid geluidsvermogen) 3 dB(A)

Kevin Hewitt
Director of Consumer Engineering
Spennymoor, County Durham DL16 6JG,
Verenigd Koninkrijk
1-1-2006

Garantie

Black & Decker heeft vertrouwen in zijn producten en biedt een uitstekende garantie. Deze garantiebepalingen vormen een aanvulling op uw wettelijke rechten en beperken deze niet. De garantie geldt in de lidstaten van de Europese Unie en de Europese Vrijhandelsassociatie.



Mocht uw Black & Decker XT-product (behalve accessoires, hulpstukken, accu's, laders en boorhouders) binnen 3 jaar na datum van aankoop defect raken tengevolge van materiaal- of constructiefouten, garanderen wij de vervanging van defecte onderdelen, de reparatie van het product of de vervanging van deze producten, op voorwaarde dat het product geregistreerd is via de Black & Decker website voor de garantie van XT-producten. Indien het product niet geregistreerd is dan geldt alleen de standaard garantie (2 jaar).

De garantie geldt niet wanneer:

- ◆ Het product is gebruikt voor handelsdoeleinden, professionele toepassingen of verhuurdoeleinden;
- ◆ Het product onoordeelkundig is gebruikt;
- ◆ Het product is beschadigd door invloeden van buitenaf of door een ongeval;
- ◆ Poging tot reparatie is uitgevoerd door onbevoegde personen;
- ◆ Het product op welke manier dan ook is aangepast op basis van de oorspronkelijke specificaties;
- ◆ Ongeschikte accessoires of hulpstukken zijn gebruikt.

De verlengde garantie geldt niet wanneer:

- ◆ De aankoopbon of het originele garantiecertificaat van verlenging niet kan worden aangetoond.

Registreer uw product nu on-line via

www.blackanddecker.nl/xt om in aanmerking te komen voor de verlengde garantie (3 jaar), en om op de hoogte te blijven van nieuwe producten en speciale aanbiedingen.

Om een beroep op de garantie te doen, dient u een aankoopbewijs te overhandigen aan de verkoper of een van onze servicecentra. U kunt het adres van het dichtstbijzijnde servicecentrum opvragen via de adressen op de achterzijde van deze handleiding. U kunt ook een lijst van onze servicecentra en meer informatie m.b.t. onze klantenservice vinden op het volgende Internet-adres: www.2helpU.com

Verdere informatie over het merk Black & Decker en onze producten vindt u op www.blackanddecker.nl

Finalidad

Su sierra Black & Decker ha sido diseñada para serrar madera y derivados de la madera.

Esta herramienta está pensada únicamente para uso doméstico.

Normas de seguridad generales

Atención! Lea íntegramente estas instrucciones. En caso de no atenerse a las instrucciones de seguridad siguientes, ello puede dar lugar a una descarga eléctrica, incendio o lesión grave. El término "herramienta eléctrica" empleado en las advertencias indicadas a continuación se refiere a la herramienta eléctrica con alimentación de red (con cable) o alimentada por batería (sin cable).

GUARDE ESTAS INSTRUCCIONES EN UN LUGAR SEGURO.

1. Área de trabajo

a. Mantenga limpia y bien iluminada el área de trabajo.

El desorden y una iluminación deficiente en las áreas de trabajo pueden provocar accidentes.

b. No utilice la herramienta eléctrica en un entorno con peligro de explosión, en el que se encuentren combustibles líquidos, gases o material en polvo.

Las herramientas eléctricas producen chispas que pueden llegar a inflamar los materiales en polvo o vapores.

c. Mantenga alejados a los niños y otras personas del área de trabajo al emplear la herramienta eléctrica.

Una distracción le puede hacer perder el control sobre la herramienta.

2. Seguridad eléctrica

a. El enchufe de la herramienta eléctrica debe corresponder a la toma de corriente utilizada. No es admisible modificar el enchufe en forma alguna. No emplee adaptadores en herramientas eléctricas dotadas con una toma de tierra.

Los enchufes sin modificar adecuados a las respectivas tomas de corriente reducen el riesgo de una descarga eléctrica.

b. Evite que su cuerpo toque partes conectadas a tierra como tuberías, radiadores, cocinas y refrigeradores.

El riesgo a quedar expuesto a una sacudida eléctrica es mayor si su cuerpo tiene contacto con tierra.

c. No exponga las herramientas eléctricas a la lluvia y evite que penetren líquidos en su interior. Existe el peligro de recibir una descarga eléctrica si penetran ciertos líquidos en la herramienta eléctrica.

d. Cuide el cable de alimentación. No utilice el cable de red para transportar o colgar la herramienta eléctrica, ni tire de él para sacar el enchufe de la toma de corriente. Mantenga el cable de red alejado del calor, aceite, bordes afilados o piezas móviles.

Los cables de red dañados o enredados pueden provocar una descarga eléctrica.

e. Al trabajar con la herramienta eléctrica en la intemperie utilice solamente cables de prolongación homologados para su uso en exteriores.

La utilización de un cable de prolongación adecuado para su uso en exteriores reduce el riesgo de una descarga eléctrica.

3. Seguridad personal

a. Esté atento a lo que hace y emplee la herramienta eléctrica con prudencia. No utilice la herramienta eléctrica si estuviese cansado, ni tampoco después de haber consumido alcohol, drogas o medicamentos.

El no estar atento durante el uso de una herramienta eléctrica puede provocar serias lesiones.

b. Utilice un equipo de protección y en todo caso unas gafas de protección. El riesgo a lesionarse se reduce considerablemente si, dependiendo del tipo y la aplicación de la herramienta eléctrica empleada, se utiliza un equipo de protección adecuado como una mascarilla antipolvo, zapatos de seguridad con suela antideslizante, casco o protectores auditivos.

c. Evite una puesta en marcha accidental de la herramienta. Compruebe que el interruptor esté en la posición de apagado antes de enchufar la herramienta. Transportar la herramienta eléctrica con el dedo sobre el interruptor o enchufarla con el interruptor encendido puede provocar accidentes.

d. Retire las herramientas de ajuste o llaves fijas antes de conectar la herramienta eléctrica. Una herramienta o llave colocada en una pieza giratoria puede producir lesiones al ponerse a funcionar.

e. Sea precavido. Mantenga un apoyo firme sobre el suelo y conserve el equilibrio en todo momento. Ello le permitirá controlar mejor la herramienta eléctrica en caso de presentarse una situación inesperada.

f. Lleve puesta una vestimenta de trabajo adecuada. No lleve vestidos anchos ni joyas. Mantenga su pelo, vestimenta y guantes alejados de las piezas móviles. La vestimenta suelta, las joyas y el pelo largo se pueden enganchar con las piezas en movimiento.

g. Siempre que sea posible utilizar unos equipos de aspiración o captación de polvo, asegúrese que éstos estén montados y que sean utilizados correctamente. El empleo de estos equipos reduce los riesgos derivados del polvo.

4. Uso y cuidado de herramientas eléctricas

a. No sobrecargue la herramienta eléctrica. Use la herramienta eléctrica prevista para el trabajo a realizar. Con la herramienta eléctrica adecuada podrá trabajar mejor y más seguro dentro del margen de potencia indicado.

- b. **No utilice herramientas eléctricas con un interruptor defectuoso.** Las herramientas eléctricas que no se puedan conectar o desconectar son peligrosas y deben hacerse reparar.
- c. **Sequen el enchufe de la red antes de realizar un ajuste en la herramienta eléctrica, cambiar de accesorio o al guardar la herramienta.** Esta medida preventiva reduce el riesgo de conectar accidentalmente la herramienta eléctrica.
- d. **Guarde las herramientas eléctricas fuera del alcance de los niños y de las personas que no estén familiarizadas con su uso.** Las herramientas eléctricas utilizadas por personas inexpertas son peligrosas
- e. **Cuide sus herramientas eléctricas con esmero. Controle si funcionan correctamente, sin atascarse, las partes móviles de la herramienta eléctrica, y si existen partes rotas o deterioradas que pudieran afectar al funcionamiento de la herramienta. Si la herramienta eléctrica estuviese defectuosa haga que la reparen antes de volver a utilizarla.**
 Muchos de los accidentes se deben a herramientas eléctricas con un mantenimiento deficiente.
- f. **Mantenga las herramientas de corte limpias y afiladas.** Las herramientas de corte mantenidas correctamente se dejan guiar y controlar mejor.
- g. **Utilice herramientas eléctricas, accesorios, útiles de herramienta, etc. de acuerdo con estas instrucciones y en la manera indicada específicamente para esta herramienta eléctrica. Considere en ello las condiciones de trabajo y la tarea a realizar.** El uso de herramientas eléctricas para trabajos diferentes de aquellos para los que han sido concebidas puede resultar peligroso.

5. Servicio técnico

- a. **Haga reparar su herramienta eléctrica sólo por personal técnico autorizado que emplee exclusivamente piezas de repuesto originales.**
 Solamente así se garantiza la seguridad de la herramienta eléctrica.

Instrucciones de seguridad para todas las sierras

Peligro:

- ◆ **Mantenga las manos alejadas del área de corte y de la hoja de sierra. Sujete con la otra mano la empuñadura auxiliar o la carcasa del motor.** Si la sierra se sujeta con ambas manos, éstas no pueden lesionarse con la hoja de sierra.

- ◆ **No toque por debajo de la pieza de trabajo.** La protección no le protege del contacto con la hoja de sierra por la parte inferior de la pieza de trabajo.
- ◆ **Ajuste la profundidad de corte al espesor de la pieza de trabajo.** Debe verse menos de un diente completo de los dientes de la hoja por debajo de la pieza de trabajo.
- ◆ **Nunca sujete la pieza de trabajo con las manos o colocándola sobre sus piernas. Fije la pieza de trabajo sobre una base de asiento estable.** Es importante que la pieza de trabajo quede bien sujeta para reducir el riesgo a accidentarse, a que se atasque la hoja de sierra, o a perder el control sobre la herramienta.
- ◆ **Sujete la herramienta eléctrica únicamente por las empuñaduras aisladas al realizar trabajos en los que la herramienta de corte pueda tocar cables eléctricos ocultos o su propio cable.** El contacto con cables con corriente puede hacer que las partes metálicas al descubierto de la herramienta eléctrica provoquen una descarga al usuario.
- ◆ **Al realizar cortes en paralelo utilice siempre una guía rectilínea, o una guía de borde recto.** Esto permite un corte más preciso y además reduce el riesgo a que se atasque la hoja de sierra.
- ◆ **Utilice siempre hojas de sierra del tamaño correcto y con la forma de orificio adecuada (p. ej. en forma de diamante o redonda).** Las hojas de sierra que no correspondan a los elementos de montaje de ésta, giran excéntricas y pueden hacerle perder el control sobre la sierra.
- ◆ **Nunca utilice arandelas o un perno de la hoja de sierra dañados o incorrectos.** Las arandelas y el perno de la hoja de sierra han sido especialmente diseñados para obtener unas prestaciones y seguridad de trabajo máximas.

Instrucciones de seguridad adicionales para todas las sierras

Causas y prevención del retroceso de la sierra:

- el retroceso es una fuerza de reacción brusca que se provoca al engancharse, atascarse o guiar incorrectamente la hoja de sierra, lo que hace que la sierra se salga de forma incontrolada de la pieza de trabajo y resulte impulsada hacia el usuario;
- si la hoja de sierra se engancha o atasca al cerrarse la ranura de corte, la hoja de sierra se bloquea y la reacción del motor hace que la unidad resulte impulsada hacia el usuario;
- si la hoja de sierra se gira lateralmente o se desalinea, los dientes de la parte posterior de la hoja de sierra pueden engancharse en la cara superior de la pieza de trabajo haciendo que la hoja de sierra se salga de la ranura de corte, y salga despedida hacia atrás en dirección al usuario.

El retroceso se debe a la utilización inadecuada y/o procedimientos o condiciones de trabajo incorrectos y puede evitarse tomando las precauciones que se detallan a continuación.

- ◆ **Sujete firmemente la sierra con ambas manos manteniendo los brazos en una posición que le permita oponerse a la fuerza de retroceso. Mantenga el cuerpo a un lado de la hoja de sierra; nunca se coloque en línea con ésta.** El retroceso puede hacer que la sierra salte hacia atrás, pero el usuario puede hacer frente a esta fuerza de retroceso siempre que haya tomando las precauciones adecuadas.
- ◆ **Cuando la hoja de sierra se atasca, o en caso de tener que interrumpir un corte por cualquier otro motivo, suelte el gatillo manteniendo inmóvil la sierra y espere a que se haya detenido completamente la hoja. Nunca intente sacar la sierra de la pieza de trabajo o tirar de ella hacia atrás mientras esté funcionando la hoja de sierra, puesto que podría producirse el retroceso.** Investigue y subsane convenientemente la causa del atasco de la hoja de sierra.
- ◆ **Para continuar serrando en la pieza de trabajo, centre primero la hoja de sierra en la ranura y compruebe que los dientes de sierra no toquen la pieza de trabajo.** Si la hoja de sierra está atascada, la sierra puede llegar a salirse de la pieza de trabajo o retroceder al ponerse en marcha.
- ◆ **Apoye los tableros grandes para evitar el riesgo de retroceso o atasco de la hoja de sierra.** Los tableros grandes pueden moverse por su propio peso. Los tableros deberán ser apoyados a ambos lados, tanto cerca de la línea de corte como al borde de los mismos.
- ◆ **No utilice hojas de sierra melladas ni dañadas.** Las hojas de sierra sin afilar o incorrectamente ajustadas producen una ranura de corte demasiado estrecha, lo que provoca una fricción excesiva y el atasco o retroceso de la hoja de sierra.
- ◆ **Apriete firmemente las palancas de bloqueo de ajuste de la profundidad y ángulo de bisel antes de comenzar un corte.** Si la sierra llegase a desajustarse durante un corte, esto podría provocar que la hoja de sierra se atasque y retroceda.
- ◆ **Preste especial atención al realizar un "corte por inmersión" en tabiques u otros materiales de composición desconocida.** Al penetrar, la hoja de sierra puede cortar objetos ocultos que pueden provocar el retroceso.

Instrucciones de seguridad para sierras con una protección de hoja pendular

- ◆ **Antes de su uso, compruebe que la protección inferior cierre correctamente. No utilice la sierra si la protección inferior no gira libremente o no se cierra de forma instantánea. No fije ni bloquee la protección inferior para mantenerla abierta.** Si la sierra se cae accidentalmente puede que se deforme la protección inferior. Levante la protección inferior con el mango de retracción y asegúrese de que se mueva libremente sin que llegue a tocar la hoja de sierra ni otras partes en cualquiera de los ángulos y profundidades de corte.
- ◆ **Compruebe el funcionamiento del muelle de la protección inferior. Si la protección y el muelle no funcionan correctamente, deben repararse antes de su uso.** Las piezas deterioradas, el material adherido pegajoso, o las virutas acumuladas pueden hacer que la protección inferior se mueva con dificultad.
- ◆ **Abra manualmente la protección inferior únicamente al realizar cortes especiales como "cortes por inmersión" o "cortes compuestos". Levante la protección inferior con el mango de retracción y suéltela en el momento en que la hoja de sierra haya llegado a penetrar en el material.** En todos los demás trabajos la protección deberá funcionar automáticamente.
- ◆ **No deposite la sierra sobre una base si la protección inferior no cubre la hoja de sierra.** Una hoja de sierra sin proteger, que no esté completamente detenida, hace que la sierra salga despedida hacia atrás, cortando todo lo que encuentra a su paso. Considere el tiempo de marcha por inercia hasta la detención de la sierra.

Instrucciones de seguridad adicionales para todas las sierras con abridor

- ◆ **Utilice el abridor apropiado para la hoja de sierra empleada.** El abridor deberá ser más grueso que el cuerpo de la hoja, pero más fino que el ancho del diente de la hoja de sierra.
- ◆ **Ajuste el abridor de la forma indicada en este manual de instrucciones.** Una separación, posición o alineación incorrectas pueden ser la causa de que el abridor no pueda evitar el retroceso.
- ◆ **Utilice siempre el abridor, excepto en los cortes por inmersión.** Vuelva a montar el abridor después de haber realizado un corte por inmersión. El abridor entorpece la ejecución de cortes por inmersión y puede provocar el retroceso de la sierra.
- ◆ **Para que el abridor cumpla su función, éste deberá estar acoplado en la pieza de trabajo.** Al realizar cortes pequeños, el abridor no resulta eficaz para evitar el retroceso.

- ◆ **No utilice la sierra si el abridor está deformado.** Incluso una ligera deformación puede provocar que la protección se cierre más lentamente.

Instrucciones de seguridad adicionales para sierras circulares

- ◆ Use protección acústica. La exposición al ruido puede provocar la pérdida de audición.
- ◆ Es muy recomendable que utilice una máscara contra el polvo.
- ◆ No utilice hojas con un diámetro superior o inferior al recomendado. Consulte los datos técnicos en relación con las especificaciones adecuadas de la hoja. Utilice sólo las hojas que se especifican en este manual, que cumplen la norma EN 847-1.
- ◆ Nunca utilice discos de corte abrasivos.

Seguridad eléctrica



La herramienta lleva un doble aislamiento; por lo tanto no requiere una toma a tierra. Compruebe siempre que la tensión de la red corresponda con el valor indicado en la placa de datos de la herramienta.

- ◆ Este aparato no ha sido concebido para ser utilizado por jóvenes ni personas discapacitadas sin supervisión. Debe vigilarse a los niños para asegurarse de que no jueguen con el aparato.
- ◆ Si el cable eléctrico está estropeado, debe ser sustituido por el fabricante o un servicio técnico autorizado de Black & Decker con el fin de evitar accidentes.

Vista general

1. Conmutador ON/OFF (encendido/apagado)
2. Botón de desbloqueo
3. Mango principal
4. Mango secundario
5. Botón de bloqueo del eje
6. Soporte
7. Hoja de sierra
8. Protector de hoja de sierra
9. Abridor
10. Guía paralela
11. Unidad láser
12. Llave para la hoja de sierra
13. Salida para extracción de polvo

Montaje

¡Atención! Antes del montaje, asegúrese de que la herramienta esté desconectada y desenchufada y de que la hoja de sierra se haya detenido.

Retirada e instalación de una hoja de sierra (fig. A)

Retirada

- ◆ Mantenga presionado el botón de bloqueo del eje (5) y gire la hoja hasta que el bloqueo se enganche.
- ◆ Afloje y retire el tornillo de sujeción de la hoja (14) girándolo a izquierdas con la llave (12) suministrada.
- ◆ Retire la arandela exterior (15)
- ◆ Retire la hoja de sierra (7).

Instalación

- ◆ Coloque la hoja de sierra sobre la pestaña interior (16), comprobando que la flecha de la hoja apunta en la misma dirección que la flecha de la herramienta.
- ◆ Fije la arandela exterior (15) sobre el eje, con la parte elevada apuntando lejos de la hoja de sierra.
- ◆ Inserte el tornillo de sujeción de la hoja (14) en el orificio.
- ◆ Mantenga presionado el botón de bloqueo del eje (5).
- ◆ Apriete con firmeza el tornillo de sujeción de la hoja girándolo a derechas con la llave (12) suministrada.
- ◆ Ajuste el abridor de la forma que se describe a continuación.

Ajuste del abridor (fig. B)

El abridor evita que la hoja de sierra se atasque durante las operaciones de serrado. El abridor debe ajustarse después de sustituir la hoja de sierra.

- ◆ Afloje los tornillos (17), con ayuda de la llave (12), mientras mantiene el abridor en posición. Deberá reducir la profundidad de corte para obtener acceso a los tornillos.
- ◆ Coloque el abridor (9) según se indica.
- ◆ La distancia entre la corona dentada y el abridor debe ser 2 - 3 mm.
- ◆ La diferencia de altura entre la corona dentada y el extremo inferior del abridor debe ser 2 - 3 mm.
- ◆ Apriete los tornillos.

Instalación y retirada de la guía paralela (fig. C)

- ◆ La guía paralela se usa para serrar en una línea recta paralela al borde de la pieza de trabajo.

Instalación

- ◆ Afloje el pomo de bloqueo (18).
- ◆ Introduzca la guía paralela (10) a través de las aberturas (19).
- ◆ Deslice la guía paralela a la posición deseada.
- ◆ Apriete el pomo de bloqueo.

Retirada

- ◆ Afloje el pomo de bloqueo.
- ◆ Quite la guía paralela de la herramienta.

Uso

¡Atención! Deje que la herramienta funcione a su ritmo. No lo sobrecargue.

Esta herramienta se puede utilizar con la mano derecha o con la izquierda.

Ajuste del ángulo de la hoja (fig. D)

El ángulo predeterminado entre la hoja de sierra y el soporte es de 90°.

- ◆ Utilice una escuadra para comprobar si el ángulo entre la hoja de sierra y el soporte es de 90°. Si el ángulo no mide 90°, ajústelo de la forma siguiente:
- ◆ Afloje el pomo de bloqueo (20) para desbloquear el soporte de la sierra.
- ◆ Apriete o afloje el tornillo de ajuste (21) hasta obtener un ángulo de 90°.
- ◆ Apriete el pomo de bloqueo para bloquear en su posición el soporte de la sierra.

Ajuste de la profundidad de corte (fig. E)

La profundidad de corte debe ajustarse según el grosor de la pieza de trabajo. Deberá superar el grosor en 2 mm aproximadamente.

- ◆ Afloje la palanca (22) para desbloquear el soporte de la sierra.
- ◆ Mueva el soporte de la sierra (6) a la posición deseada. La profundidad de corte correspondiente se puede leer en la escala (23).
- ◆ Apriete la palanca para bloquear en su posición el soporte de la sierra.

Ajuste del ángulo de bisel (fig. F)

Esta herramienta se puede ajustar para corte de ángulos de bisel entre 0° y 45°.

- ◆ Afloje el pomo de bloqueo (20) para desbloquear el soporte de la sierra.
- ◆ Mueva el soporte de la sierra (6) a la posición deseada. El ángulo de bisel correspondiente se puede leer en la escala (24).
- ◆ Apriete el pomo de bloqueo para bloquear en su posición el soporte de la sierra.

Encendido y apagado

- ◆ Para encender la herramienta, sitúe el botón de desbloqueo (2) en la posición de desbloqueo y presione el interruptor de encendido/apagado (1).
- ◆ Para apagar la herramienta, suelte el interruptor de encendido/apagado.

Aserrado

Sujete siempre la herramienta con las dos manos.

- ◆ Deje que la hoja funcione libremente durante unos segundos antes de iniciar el corte.
- ◆ Aplique sólo una presión suave a la herramienta mientras realiza el corte.
- ◆ Trabaje con el soporte presionado contra la pieza de trabajo.

Consejos para un uso óptimo

- ◆ Ya que no se podrá evitar algo de astillamiento a lo largo de la línea de corte de la parte superior de la pieza de trabajo, corte por la parte en la que el astillamiento sea aceptable.
- ◆ En los casos en los que haya de reducirse al mínimo el astillamiento, por ejemplo, cuando se corten láminas, fije un trozo de contrachapado a la parte superior de la pieza de trabajo.

Utilización de la guía de mirilla (fig. G)

La herramienta está equipada con una guía de mirilla para cortes rectos (25) y para cortes de inglete a 45° (26).

- ◆ Ajuste la guía de mirilla como se describe a continuación.
- ◆ Alinee el borde izquierdo de las guías (25) o (26) con la línea de corte (27).
- ◆ Mientras esté serrando, mantenga alineada la guía de mirilla con la línea de corte.
- ◆ Trabaje con el soporte presionado contra la pieza de trabajo.

Ajuste de la guía de mirilla

- ◆ Haga un corte de prueba hasta la mitad de un trozo de madera sobrante.
- ◆ Quite la sierra de forma que la línea de corte (27) sea visible.
- ◆ Mientras mantiene la sierra en esta posición, afloje la guía de mirilla en el soporte de la sierra tal y como se muestra.
- ◆ Alinee la marca de 0° (25) de la guía de mirilla con la línea de corte (27). Cuando ajuste para cortes de inglete de 45°, alinee la marca 45° (26) de la guía de mirilla con la línea de corte.
- ◆ Sujete la guía de mirilla por medio de los tornillos (28).

Utilización del láser (fig. H)

La línea de corte se puede seguir fácilmente mirando justo desde encima de la sierra. En caso de que por algún motivo no pueda mirar desde esta posición, puede utilizar el láser como guía de corte alternativa.

Antes de instalar la unidad láser, debe plegarse el pie delantero (29).

- ◆ Coloque la unidad en la guía de mirilla.

- ◆ Introduzca los pies traseros (30) en los orificios correspondientes (31).
- ◆ Coloque la sierra sobre la línea de corte.
- ◆ Encienda el láser.

Consulte también el manual de la unidad láser.

Extracción de polvo (fig. I)

La salida para extracción de polvo le permite conectar un aspirador a la herramienta.

- ◆ Conecte el tubo flexible (11) del aspirador a la salida (13).

Mantenimiento

La herramienta ha sido diseñada para que funcione durante un largo período de tiempo con un mantenimiento mínimo.

El funcionamiento satisfactorio continuado depende de un cuidado apropiado y una limpieza periódica de la herramienta.

¡Advertencia! Antes de realizar cualquier tipo de mantenimiento, apague y desenchufe la herramienta.

- ◆ Limpie periódicamente las ranuras de ventilación de la herramienta con un cepillo suave o un paño seco.
- ◆ Limpie periódicamente la carcasa del motor con un paño húmedo. No utilice ninguna sustancia limpiadora abrasiva o que contenga disolventes.

Protección del medio ambiente



Separación de desechos. Este producto no debe desecharse con la basura doméstica normal.

Si llega el momento de reemplazar su producto Black & Decker o éste ha dejado de tener utilidad para usted, no lo deseche con la basura doméstica normal. Asegúrese de que este producto se deseche por separado.



La separación de desechos de productos usados y embalajes permite que los materiales puedan reciclarse y reutilizarse. La reutilización de materiales reciclados ayuda a evitar la contaminación medioambiental y reduce la demanda de materias primas.

La normativa local puede prever la separación de desechos de productos eléctricos de uso doméstico en centros municipales de recogida de desechos o a través del distribuidor cuando adquiere un nuevo producto.

Black & Decker proporciona facilidades para la recogida y el reciclado de los productos Black & Decker que hayan llegado al final de su vida útil. Para hacer uso de este servicio, devuelva su producto a cualquier servicio técnico autorizado, que lo recogerá en nuestro nombre.

Pueden consultar la dirección de su servicio técnico más cercano poniéndose en contacto con la oficina local de Black & Decker en la dirección que se indica en este manual. Como alternativa, puede consultar en Internet la lista de servicios técnicos autorizados e información completa de nuestros servicios de posventa y contactos en la siguiente dirección:

www.2helpU.com

Características técnicas

	XTS1660
Voltaje	V _{AC} 230
Potencia absorbida	W 1.600
Velocidad sin carga	min ⁻¹ 5.000
Profundidad máxima de corte	mm 65
Diámetro de la hoja	mm 190
Diámetro interior de la hoja	mm 16
Ancho de la punta de la hoja	mm 2,2
Peso	kg 5,8

Declaración de conformidad CE

XTS1660

Black & Decker declara que estos productos cumplen las normas siguientes:

98/37/CEE, 89/336/CEE, EN 60745, EN 55014, EN 61000

L_{PA} (presión acústica) 102 dB(A), L_{WA} (potencia acústica) 113 dB(A), vibraciones soportadas en mano/brazo 1,92 m/s²

K_{PA} (incertidumbre de presión acústica) 3 dB(A),

K_{WA} (incertidumbre de potencia acústica) 3 dB(A)

Kevin Hewitt

Director de Ingeniería del Consumidor
Spennymoor, County Durham DL16 6JG,

Reino Unido

1-1-2006

Garantía

Black & Decker confía plenamente en la calidad de sus productos y ofrece una garantía extraordinaria. Esta declaración de garantía es una adición, y en ningún caso un perjuicio, a sus derechos legales. La garantía es válida dentro de los territorios de los Estados Miembros de la Unión Europea y de la Zona Europea de Libre Comercio.



Si un producto Black & Decker XT (excluidos los accesorios, acoplamientos, baterías, cargadores y portabrocas) resultara defectuoso debido a materiales o mano de obra defectuosos, o bien a falta de conformidad durante un período de 3 años desde la fecha de compra, Black & Decker garantiza la sustitución de todas las piezas defectuosas, la reparación de los productos, sujeta a un desgaste y rotura razonables, o la sustitución de tales productos siempre que éstos hayan sido registrados en el sitio web de garantía Black & Decker XT en un plazo máximo de 90 días a partir de la fecha de compra. Si el producto no se ha registrado, entonces se aplicará únicamente la garantía estándar (2 años).

La garantía no se aplica si:

- ◆ el producto ha sido utilizado con propósitos comerciales, profesionales o de alquiler;
- ◆ el producto ha sido sometido a un uso inadecuado o negligente;
- ◆ el producto ha sufrido daños causados por objetos o sustancias extrañas o accidentes;
- ◆ se han intentado reparaciones por parte de personal no autorizado;
- ◆ el producto ha sufrido adaptaciones, del modo que sea, respecto a sus especificaciones originales;
- ◆ se han utilizado accesorios o acoplamientos inadecuados.

La garantía ampliada no se aplica si:

- ◆ no se presenta prueba de compra y el certificado de garantía ampliada original.

Haga el registro on-line de su producto ahora en www.blackanddecker.es/xt para poder optar a la garantía ampliada (3 años) y estar al día sobre nuevos productos y ofertas especiales.

Para realizar reclamaciones en garantía, será necesario presentar la prueba de compra al vendedor o al servicio técnico de reparaciones autorizado. Puede consultar la dirección de su servicio técnico más cercano poniéndose en contacto con la oficina local de Black & Decker en la dirección que se indica en este manual. Como alternativa, puede consultar en Internet la lista de servicios técnicos autorizados e información completa de nuestros servicios de posventa y contactos en la siguiente dirección: **www.2helpU.com**

Encontrará información adicional sobre la marca Black & Decker y nuestra gama de productos en **www.blackanddecker.com**

Utilização

A sua serra Black & Decker foi projectada para serrar madeira e produtos desse mesmo material.

Esta ferramenta destina-se apenas ao doméstico.

Regras gerais de segurança

Advertência! Leia todas as instruções. O não cumprimento das instruções a seguir podem causar choque eléctrico, incêndio e/ou graves lesões. O termo “ferramenta eléctrica” utilizado a seguir refere-se a ferramentas eléctricas com ligação à corrente eléctrica (com cabo) ou operadas a bateria (sem fios). **GUARDE BEM ESTAS INSTRUÇÕES.**

1. Área de trabalho

- a. **Mantenha a sua área de trabalho limpa e arrumada.** Desordem e áreas de trabalho com fraca iluminação podem causar acidentes.
- b. **Não trabalhar com a ferramenta eléctrica em áreas com risco de explosão, nas quais se encontrem líquidos, gases ou pós inflamáveis.** Ferramentas eléctricas produzem faíscas que podem provocar a ignição de pó e vapores.
- c. **Mantenha crianças e outras pessoas afastadas da ferramenta eléctrica durante o trabalho com a ferramenta.** Distracções podem causar a falta de controlo sobre a ferramenta.

2. Segurança eléctrica

- a. **A ficha da ferramenta eléctrica deve caber na tomada. A ficha não deve ser modificada de modo algum. Não utilize quaisquer fichas de adaptação junto com ferramentas eléctricas ligadas à terra.** Fichas sem modificações e tomadas adequadas reduzem o risco de choques eléctricos.
- b. **Evite que o corpo entre em contacto com superfícies ligadas à terra, como por exemplo tubos, radiadores, fogões e frigoríficos.** Há um risco elevado de choques eléctricos, caso o corpo seja ligado à terra.
- c. **A ferramenta eléctrica não deve ser exposta à chuva nem humidade.** A penetração de água na ferramenta eléctrica aumenta o risco de choques eléctricos.
- d. **Manuseie o fio com cuidado. O cabo da ferramenta não deve ser utilizado para o transporte, para pendurar a ferramenta, nem para puxar a ficha da tomada. Mantenha o cabo afastado de calor, óleo, cantos afiados ou partes em movimento da ferramenta.** Cabos danificados ou torcidos aumentam o risco de choques eléctricos.
- e. **Ao trabalhar com a ferramenta eléctrica ao ar livre, use um cabo de extensão apropriado para áreas externas.** O uso de um cabo apropriado para áreas externas reduz o risco de choques eléctricos.

3. Segurança pessoal

- a. **Esteja alerta, observe o que está a fazer, e tenha prudência ao trabalhar com a ferramenta eléctrica. Não use a ferramenta eléctrica se estiver cansado ou sob a influência de drogas, álcool ou medicamentos.** Um momento de falta de atenção durante a operação da ferramenta eléctrica pode causar graves lesões.
- b. **Usar um equipamento pessoal de protecção. Utilizar sempre óculos de protecção.** Equipamento de segurança, como por exemplo, máscara de protecção contra pó, sapatos de segurança anti-derrapantes, capacete de segurança ou protecção auricular, de acordo com o tipo e aplicação da ferramenta eléctrica, reduz o risco de lesões.
- c. **Evite um accionamento involuntário. Assegure-se de que o interruptor está na posição de desligado antes de ligar.** O transporte de ferramentas eléctricas com o dedo no interruptor ou a ligação das mesmas que tenham o interruptor ligado provoca acidentes.
- d. **Remover chaves de ajustes ou chaves de fenda, antes de ligar a ferramenta eléctrica.** Uma chave de fenda ou chave de ajuste que se encontre numa parte móvel da ferramenta, pode levar a lesões.
- e. **Não se sobrestime. Mantenha-se sempre bem posicionado e em equilíbrio.** Desta forma poderá ser mais fácil controlar a ferramenta em situações inesperadas.
- f. **Use vestuário apropriado. Não use roupa larga ou jóias. Mantenha o cabelo, roupa e luvas afastadas de partes em movimento.** Roupas largas, jóias ou cabelos longos podem ser agarradas por partes em movimento.
- g. **Se for prevista a montagem de dispositivos de aspiração de pó e de dispositivos de recolha, assegure-se de que estão ligados e que são utilizados de forma correcta.** A utilização destes dispositivos reduz os riscos provocados por pó.

4. Utilização e manutenção da ferramenta eléctrica

- a. **Não sobrecarregue a ferramenta eléctrica. Use para o seu trabalho a ferramenta eléctrica correcta.** A ferramenta correcta realizará o trabalho de forma melhor e mais segura dentro da potência indicada.
- b. **Não utilize a ferramenta eléctrica se o interruptor não puder ser ligado nem desligado.** Qualquer ferramenta eléctrica que não possa ser controlada através do interruptor de ligar-desligar é perigosa e deve ser reparada.
- c. **Desligue a ficha da tomada antes de efectuar ajustes na ferramenta, substituir acessórios ou armazenar a ferramenta eléctrica.** Esta medida de segurança evita que a ferramenta eléctrica seja ligada acidentalmente.

- d. **Mantenha as ferramentas eléctricas que não estiverem a ser utilizadas fora do alcance de crianças. Não permita que a ferramenta seja utilizada por pessoas não familiarizadas com a mesma ou que não tenham lido estas instruções.** As ferramentas eléctricas são perigosas se utilizadas por pessoas não qualificadas.
- e. **Trate a sua ferramenta eléctrica com cuidado. Verifique se as partes móveis da ferramenta funcionam perfeitamente e não emperram, se há peças quebradas ou danificadas, que possam influenciar o funcionamento da ferramenta. As peças danificadas devem ser reparadas antes da utilização da ferramenta.** Muitos acidentes têm como causa uma manutenção insuficiente das ferramentas eléctricas.
- f. **Mantenha as ferramentas de corte sempre afiadas e limpas.** Ferramentas de cortes devidamente tratadas, com cantos afiados travam com menos frequência e podem ser controladas com maior facilidade.
- g. **Use a ferramenta eléctrica, os acessórios e as brocas da ferramenta etc., de acordo com estas instruções e da maneira determinada para este tipo especial de ferramenta eléctrica. Considere também as condições de trabalho e o trabalho a ser efectuado.** A utilização da ferramenta eléctrica para outros fins que os previstos pode resultar em situações perigosas.

5. Reparação

- a. **A sua ferramenta eléctrica só deve ser reparada por pessoal qualificado e só devem ser colocadas peças sobressalentes originais.** Desta forma é assegurada a segurança da ferramenta eléctrica.

Instruções de segurança para todas as serras

Perigo:

- ◆ **Mantenha as mãos afastadas da área de corte e da lâmina. Mantenha a sua outra mão no punho adicional ou sobre o compartimento do motor.** Se ambas as mãos segurarem a serra, estas não poderão ser lesadas pela lâmina.
- ◆ **Não coloque as mãos na parte inferior da peça de trabalho.** O resguardo não o pode proteger da lâmina na parte inferior da peça de trabalho.
- ◆ **Regule a profundidade de corte para a espessura da peça de trabalho.** Deve estar visível uma altura inferior à de um dente na parte inferior da peça de trabalho.

- ◆ **Jamais segure a peça a ser trabalhada na mão ou sobre a perna. Fixe a peça a ser trabalhada a uma base firme.** É importante apoiar bem a peça a ser trabalhada, para minimizar o risco de contacto com o corpo, emperramento da lâmina ou perda de controlo.
- ◆ **Segure sempre a ferramenta pelas superfícies de pega isoladas ao efectuar trabalhos, durante os quais a ferramenta de corte possa entrar em contacto com cabos eléctricos escondidos ou com o cabo da ferramenta.** O contacto com um cabo com tensão também coloca as partes metálicas da ferramenta eléctrica sob tensão, resultando em choque eléctrico.
- ◆ **Utilize sempre uma paralela de corte ou um guia de cantos recto para efectuar cortes longitudinais.** Isto melhora a exactidão de corte e reduz a probabilidade da lâmina emperrar.
- ◆ **Utilize sempre lâminas com o tamanho correcto e com orifício de admissão de forma apropriada (p.ex. em forma de estrela ou redonda).** Lâminas incompatíveis com as peças de montagem da serra giram irregularmente e levam à perda do controlo.
- ◆ **Nunca utilize arruelas ou parafusos de lâminas danificados ou inapropriados.** As arruelas e os parafusos das lâminas foram concebidos especialmente para a sua serra, para uma potência otimizada e segurança operacional.

Mais instruções de segurança para todas as serras
Causa e prevenção contra um contra-golpe:

- um contra-golpe é uma reacção repentina devido a uma lâmina de serra enganchada, emperrada ou incorrectamente alinhada, que faz com que uma serra descontrolada saia da peça que está a ser trabalhada e se movimente no sentido da pessoa que está a utilizar a ferramenta;
- se a lâmina de serra engancha ou emperra na fenda de corte, esta é bloqueada, e a força do motor impulsiona a ferramenta na direcção da pessoa que a está a utilizar;
- se a lâmina dobrar ou ficar incorrectamente alinhada no corte, é possível que os dentes na extremidade posterior da lâmina engatem na superfície da peça de trabalho, dando origem a que a lâmina se movimente para fora da fenda de corte e seja projectada na direcção da pessoa que está a utilizar a ferramenta.

Um contra-golpe é o resultado de uma utilização errada da serra e/ou de procedimentos ou condições de utilização incorrectos, podendo ser evitado com medidas de precaução apropriadas, como descrito a seguir.

- ◆ **Segure a serra firmemente com ambas as mãos e mantenha os braços numa posição que lhe permita suportar as forças de um contra-golpe. Posicione-se sempre em posição lateral relativamente à lâmina e nunca em frente à mesma.** No caso de um contra-golpe, a serra pode ser projectada para trás, no entanto a pessoa que a está utilizar será capaz de dominar a força do contra-golpe se tiver tomado as devidas medidas de precaução.
- ◆ **Se a lâmina emperrar ou se tiver que interromper o corte por qualquer motivo, deverá soltar o interruptor de ligar/desligar e segurar a serra na peça de trabalho, até a lâmina parar completamente. Nunca tente remover a serra da peça de trabalho ou puxar a serra para trás, enquanto a lâmina estiver em movimento ou enquanto puder ocorrer um contra-golpe.** Procure a causa pela qual a lâmina emperra e tome as devidas medidas correctivas.
- ◆ **Ao voltar a ligar a serra que se encontra na peça de trabalho, deverá centrar a lâmina na fenda de corte e certificar-se de que os dentes não estão presos no material trabalho.** Se a lâmina emperrar, poderá movimentar-se para cima ou causar um contra-golpe assim que ligar a serra.
- ◆ **Apoie as placas grandes, para reduzir o risco de contra-golpe e emperramento da lâmina.** As placas grandes podem curvar-se devido ao seu próprio peso. As placas devem ser colocadas sob o painel em ambos os lados, junto à linha de corte e extremidade do painel.
- ◆ **Não utilize lâminas de serra obtusas ou danificadas.** Lâminas de serra obtusas ou desalinhas produzem uma fenda de corte estreita, resultando em fricção excessiva, emperramento da lâmina e contra-golpes.
- ◆ **Antes de serrar, deverá apertar as alavancas de bloqueio de ajuste da profundidade de corte e de ângulo de corte.** Se os ajustes se alterarem durante o processo de corte, é possível que a lâmina emperre e que ocorra um contra-golpe.
- ◆ **Tenha especialmente cuidado, ao efectuar um “corte profundo” em paredes ou outras áreas cegas.** A lâmina pode bloquear-se em objectos e causar um contra-golpe.

Instruções de segurança para serras com um resguardo para lâmina de movimento pendular.

- ◆ **Verifique, antes de cada utilização, se o resguardo inferior fecha perfeitamente. Não utilize a serra se o resguardo inferior não se movimentar livremente e não se fechar instantaneamente. Nunca prenda nem fixe o resguardo inferior na posição aberta.** Se a serra cair inesperadamente ao chão, o resguardo poderá dobrar-se.

Eleve o resguardo inferior com a alavanca retráctil e assegure-se de que se movimentar livremente e que não entra em contacto com a lâmina nem com outras peças, em todos os ângulos e profundidades de corte.

- ◆ **Verifique a acção da mola do resguardo inferior. Caso o resguardo e a mola não estejam a funcionar devidamente, devem ser reparados antes de utilizar a ferramenta.** Peças danificadas, resíduos aderentes ou acumulações de aparas fazem com que o resguardo inferior funcione lentamente.
- ◆ **O resguardo inferior só deve ser aberto manualmente para certos tipos de corte, como “cortes profundos” e “cortes compostos”. Eleve o resguardo inferior com a alavanca retráctil e, logo que a lâmina penetre no material, solte-o.** Para todos os outros trabalhos de serrar, é necessário que o resguardo inferior funcione automaticamente.
- ◆ **Certifique-se sempre de que o resguardo inferior protege a lâmina antes de colocar a serra sobre a bancada de trabalho ou chão.** Uma lâmina desprotegida, e em movimento por inércia, movimentar a serra no sentido contrário do corte e serra tudo que estiver no seu caminho. Tenha em atenção o tempo que demora até a lâmina parar, depois de desligar a ferramenta.

Instruções de segurança adicionais para todas as serras com cunha abridora

- ◆ **Utilize a cunha abridora apropriada para a lâmina utilizada.** Para a cunha abridora funcionar, terá que ser mais espessa do que a lâmina, mas mais fina do que os dentes da lâmina.
- ◆ **Ajuste a cunha abridora, tal como descrito no manual de instruções.** Um espaçamento, posição e alinhamento incorrectos podem tornar a cunha abridora ineficaz na prevenção de contra-golpes.
- ◆ **Utilize sempre a cunha abridora, excepto para cortes profundos.** Substitua a cunha abridora após cortes profundos. A cunha abridora atrapalha no caso de cortes profundos e pode causar contra-golpes.
- ◆ **Para a cunha abridora funcionar, é necessário que se encontre colocada na peça de trabalho.** Em caso de cortes curtos, a cunha abridora é ineficaz na prevenção de contra-golpes.
- ◆ **Não utilize a serra com uma cunha abridora torta.** Até uma leve interferência pode retardar o fechamento do resguardo.

Instruções de segurança adicionais para serras circulares

- ◆ Utilize protectores auriculares. A exposição ao ruído poderá provocar perda de audição.
- ◆ De preferência, utilize uma máscara de protecção anti-pó.

- ◆ Não use lâminas com diâmetro maior ou menor do que o recomendado. Para conhecer as lâminas de medida correcta, consulte os dados técnicos. Utilize apenas as lâminas especificadas neste manual, conforme a norma EN 847-1.
- ◆ Nunca utilize rodas de corte abrasivas.

Segurança eléctrica



Esta ferramenta está duplamente vedada; assim não é necessário fio de terra. Certifique-se sempre de que o fornecimento de energia corresponde à voltagem indicada na placa de especificações.

- ◆ Este aparelho não se destina a ser utilizado por jovens nem por pessoas enfermas sem supervisão. As crianças deverão ser vigiadas para que não mexam no aparelho.
- ◆ Se o cabo de alimentação estiver danificado, deverá ser substituído pelo fabricante ou por um Centro de Assistência autorizado pela Black & Decker, de modo a evitar perigos.

Visão geral

1. Interruptor de ligar/desligar
2. Botão de travamento
3. Punho principal
4. Punho secundário
5. Botão de bloqueio do veio
6. Calço
7. Lâmina de serra
8. Protecção da lâmina de serra
9. Faca de fender
10. Guia paralela
11. Unidade laser
12. Chave da lâmina de serra
13. Saída de extracção de pó

Montagem

Advertência! Antes da montagem, certifique-se de que a ferramenta está desligada e desconectada da rede eléctrica e de a lâmina de serra está parada.

Remoção e encaixe da lâmina de serra (fig. A)

Remoção

- ◆ Mantenha o botão de bloqueio do veio (5) para baixo e rode a lâmina até que o respectivo bloqueio engate.
- ◆ Solte e retire o parafuso de retenção da lâmina (14) rodando-o para a esquerda com a chave (12) fornecida.
- ◆ Retire a anilha externa (15).
- ◆ Retire a lâmina de serra (7).

Colocação

- ◆ Coloque a lâmina de serra na flange interna (16) assegurando-se de que a seta situada na lâmina aponta na mesma direcção que a seta na ferramenta.
- ◆ Coloque a anilha externa (15) no veio com a parte elevada para fora da lâmina de serra.
- ◆ Insira o parafuso de retenção da lâmina (14) no orifício.
- ◆ Mantenha o botão de bloqueio do veio (5) pressionado.
- ◆ Aperte bem o parafuso de retenção da lâmina rodando-o para a direita com a chave (12) fornecida.
- ◆ Ajuste a faca de fender conforme o descrito abaixo.

Ajuste da faca de fender (fig. B)

A faca de fender evita que a lâmina de serra se enrosque durante as operações de corte rasgado. Essa faca deve ser ajustada após a substituição da lâmina de serra.

- ◆ Desaperte os parafusos (17), utilizando a chave (12), mantendo a faca de fender na posição. Terá de reduzir a profundidade de corte para aceder aos parafusos.
- ◆ Posicione a faca de fender (9) como ilustrado.
- ◆ A distância entre o bordo dentado e a faca de fender deve ser de 2-3 mm.
- ◆ A diferença de altura entre o bordo dentado e a extremidade inferior da faca de fender deve ser de 2-3 mm.
- ◆ Aperte os parafusos.

Colocação e remoção da guia paralela (fig. C)

- ◆ Utiliza-se a guia paralela para efectuar cortes em linha recta, paralelamente aos bordos da peça de trabalho.

Colocação

- ◆ Solte o botão de travamento (18).
- ◆ Insira a guia paralela (10) nas aberturas (19).
- ◆ Deslize a guia paralela até a posição desejada.
- ◆ Aperte o botão de travamento.

Remoção

- ◆ Solte o botão de travamento.
- ◆ Puxe a guia paralela para fora da ferramenta.

Utilização

Advertência! Deixe que a ferramenta funcione à vontade. Não o sobrecarregue.

Esta ferramenta pode ser utilizada com a mão esquerda ou direita.

Ajuste do ângulo da lâmina (fig. D)

O ângulo predefinido entre a lâmina de serra e o calço é de 90°.

- ◆ Utilize um esquadro para verificar se o ângulo entre a lâmina de serra e o calço é 90°. Se o ângulo não medir 90°, ajuste da seguinte forma:
- ◆ Solte o botão de travamento (20) para liberar o calço da serra.
- ◆ Aperte ou desaperte o parafuso de ajuste (21) para obter um ângulo de 90°.
- ◆ Aperte o botão de travamento para bloquear o calço da serra no lugar.

Ajuste da profundidade de corte (fig. E)

A profundidade de corte deve ser ajustada de acordo com a espessura da peça de trabalho, devendo ultrapassá-la em aproximadamente 2 mm.

- ◆ Solte a alavanca (22) para liberar o calço da serra.
- ◆ Mova o calço da serra (6) para a posição desejada. A profundidade de corte correspondente poderá ser lida na escala (23).
- ◆ Aperte a alavanca para fixar o calço da serra no lugar.

Ajuste do ângulo de bisel (fig. F)

Esta ferramenta pode ser ajustada em ângulos de bisel entre 0° e 45°.

- ◆ Solte o botão de travamento (20) para liberar o calço da serra.
- ◆ Mova o calço da serra (6) para a posição desejada. O ângulo de bisel correspondente poderá ser lido na escala (24).
- ◆ Aperte o botão de travamento para bloquear o calço da serra no lugar.

Como ligar e desligar a ferramenta

- ◆ Para ligar a ferramenta, empurre no botão de bloqueio (2) para a posição de desbloqueado e faça pressão sobre o interruptor de ligar/desligar (1).
- ◆ Para desligar a ferramenta, liberte o interruptor de ligar/desligar.

Serrar

Segure sempre a ferramenta com as duas mãos.

- ◆ Deixe a lâmina funcionar livremente durante alguns segundos antes de iniciar o corte.
- ◆ Aplique apenas uma leve pressão à ferramenta enquanto efectua o corte.
- ◆ Trabalhe com o calço a exercer pressão contra a peça de trabalho.

Sugestões para uma melhor utilização

- ◆ Como não é possível evitar a formação de rebarbas ao longo da linha de corte no lado de cima da peça de trabalho, corte o lado em que isso seja aceitável.
- ◆ Quando for necessário minimizar a formação de rebarbas, por exemplo ao cortar laminados, prenda uma peça de aglomerado no topo da peça de trabalho.

Utilização da guia visual (fig. G)

A serra está equipada com uma guia visual para corte recto (25) e para cortes em 45° (26).

- ◆ Ajuste a guia visual como descrito abaixo.
- ◆ Alinhe o bordo esquerdo das guias (25) ou (26) com a linha de corte (27).
- ◆ Mantenha a guia visual alinhada com a linha de corte enquanto estiver a serrar.
- ◆ Trabalhe com o calço a exercer pressão contra a peça de trabalho.

Ajuste da guia visual

- ◆ Fala um corte de teste até meio de um pedaço de madeira.
- ◆ Retire a serra de modo a que a linha de corte (27) fique visível.
- ◆ Com a serra nessa posição, solte a guia visual situada no calço da serra conforme ilustrado.
- ◆ Alinhe a marca 0° (25) situada na guia visual com a linha de corte (27). Ao ajustar a ferramenta para cortes em 45°, alinhe a marca de 45° (26) na guia visual com a linha de corte.
- ◆ Fixe a guia visual com os parafusos (28).

Como utilizar o laser (fig. H)

Visualizando directamente por cima da serra, a linha de corte pode ser facilmente seguida. Caso esta visualização seja comprometida por qualquer razão, pode utilizar o laser como guia de corte alternativo.

Antes de instalar a unidade laser, deverá retrair o pé dianteiro (29).

- ◆ Coloque a unidade na guia visual.
- ◆ Empurre os pés traseiros (30) na direcção dos respectivos orifícios (31).
- ◆ Posicione a serra sobre a linha de corte.
- ◆ Ligue o laser.

Consulte também o manual da unidade laser.

Extracção de pó (fig. I)

A saída de extracção de pó permite-lhe ligar um aspirador à ferramenta.

- ◆ Ligue a mangueira (11) do aspirador à saída (13).

Manutenção

Esta ferramenta foi desenvolvida para funcionar por um longo período de tempo, com o mínimo de manutenção.

O funcionamento contínuo e satisfatório depende de limpeza regular e de manutenção adequada.

Advertência! Antes de qualquer procedimento de manutenção, desligue a ferramenta no interruptor e retire a tomada da corrente.

- ◆ Limpe regularmente as fendas de ventilação da ferramenta utilizando uma escova suave ou um pano seco.
- ◆ Limpe regularmente o compartimento do motor utilizando um pano húmido. Não utilize nenhum detergente abrasivo nem à base de solvente.

Protecção do meio ambiente



Recolha em separado. Não deve deitar este produto fora juntamente com o lixo doméstico normal.

Caso chegue o momento em que um dos seus produtos Black & Decker precise de ser substituído ou decida desfazer-se do mesmo, não o deite fora juntamente com o lixo doméstico. Torne este produto disponível para uma recolha em separado.



A recolha em separado de produtos e embalagens utilizados permite que os materiais sejam reciclados e reutilizados. A reutilização de materiais reciclados ajuda a evitar a poluição ambiental e a reduzir a procura de matérias-primas.

Os regulamentos locais poderão providenciar a recolha em separado de produtos eléctricos junto das casas, em lixeiras municipais ou junto dos fornecedores ao adquirir um novo produto.

A Black & Decker oferece um serviço de recolha e reciclagem de produtos Black & Decker que tenha atingido o fim das suas vidas úteis. Para tirar proveito deste serviço, devolva seu produto a qualquer agente de reparação autorizado, que se encarregará de recolher o equipamento em nosso nome.

Para verificar a localização do agente de reparação mais próximo de si, contacte o escritório local da Black & Decker no endereço indicado neste manual. Se preferir, consulte a lista de agentes autorizados da Black & Decker e os dados completos dos nossos serviços de atendimento pós-venda na Internet no endereço: www.2helpU.com

Dados técnicos

		XTS1660
Voltagem	V_{AC}	230
Potência	W	1.600
Velocidade sem carga	min^{-1}	5.000
Profundidade máx. de corte	mm	65
Diâmetro da lâmina	mm	190
Diâmetro interno do orifício da lâmina	mm	16
Largura da ponta da lâmina	mm	2,2
Peso	kg	5,8

Declaração de conformidade CE

XTS1660

A Black & Decker declara que estes produtos estão em conformidade com a:
98/37/CEE, 89/336/CEE, EN 60745, EN 55014, EN 61000

L_{pA} (pressão acústica) 102 dB(A), L_{WA} (potência acústica) 113 dB(A), vibração medida da mão/braço de 1,92 m/s^2

K_{pA} (imprecisão da pressão acústica) 3 dB(A),
 K_{WA} (imprecisão da potência acústica) 3 dB(A)

Kevin Hewitt
Director de Engenharia do Consumo
Spennymoor, County Durham DL16 6JG,
Reino Unido
1-1-2006

Garantia

A Black & Decker confia na qualidade dos seus produtos e oferece um programa de garantia excelente. Esta declaração de garantia soma-se aos seus direitos legais e não os prejudica em nenhum aspecto. A garantia será válida nos territórios dos Estados-Membros da União Europeia e na Zona Europeia de Comércio Livre.



Caso algum produto XT Black & Decker (excluindo acessórios, baterias, carregadores e buchas) apresente avarias devido a defeitos de material, mão-de-obra ou ausência de conformidade no prazo de 3 anos a partir da data de compra, a Black & Decker garante a substituição de todas as peças defeituosas, a reparação dos produtos que foram submetidos a uso adequado ou substituição dos mesmos, desde que o produto seja registado no website de garantia da Black & Decker no prazo de 90 dias a partir da data de compra. Caso o produto não esteja registado, apenas se aplica a garantia normal (2 anos).

A garantia não se aplica se:

- ◆ o produto tenha sido utilizado para fins comerciais, profissionais ou aluguer;
- ◆ o produto tenha sido submetido a uso incorrecto ou descuido;
- ◆ o produto tenha sofrido danos causados por objectos estranhos, substâncias ou acidentes;
- ◆ eventuais reparações tenham sido efectuadas por pessoas não autorizadas;
- ◆ as especificações originais do produto tenham sido alteradas;
- ◆ tenham sido utilizados acessórios não adequados.

A garantia alargada não se aplica se:

- ◆ não for apresentada a prova de compra e o certificado de garantia alargada.

Registe o seu produto on-line através de www.blackanddecker.pt/xt para obter a garantia alargada (3 anos) e para se manter actualizado sobre novos produtos e ofertas especiais.

Para validar a garantia, será necessário enviar a prova de compra ao revendedor ou técnico autorizado. Para verificar a localização do técnico autorizado mais próximo de si, contacte o escritório local da Black & Decker no endereço indicado neste manual. Se preferir, consulte a lista de técnicos autorizados da Black & Decker e os dados completos dos nossos serviços de atendimento pós-venda na Internet no endereço: **www.2helpU.com**

Estão disponíveis mais informações sobre a Black & Decker e sobre a nossa gama de produtos em **www.blackanddecker.com**

Användningsområde

Din Black & Decker såg är avsedd för sågning av trä och träprodukter.

Verktyget är endast avsett som konsumentverktyg.

Allmänna säkerhetsregler

Varning! Samtliga anvisningar ska läsas. Fel som uppstår till följd av att anvisningarna nedan inte följts kan orsaka elchock, brand och/eller allvarliga kroppsskador. Nedan använt begrepp "Elverktyg" hänför sig till nätdrivna elverktyg (med nätsladd) och till batteridrivna elverktyg (sladdlösa).

TA VÄL VARA PÅ SÄKERHETSANVISNINGARNA.

1. Arbetsområde

- Håll arbetsplatsen ren och välbelyst.** Oordning på arbetsplatsen och dåligt belyst arbetsområde kan leda till olyckor.
- Använd inte elverktyget i explosionsfarlig omgivning med brännbara vätskor, gaser eller damm.** Elverktyg alstrar gnistor som kan antända dammet eller gaserna.
- Håll under arbetet med elverktyget barn och obehöriga personer på betryggande avstånd.** Om du störs av obehöriga personer kan du förlora kontrollen över elverktyget.

2. Elektrisk säkerhet

- Elverktygets stickpropp måste passa till vägguttaget. Stickproppen får absolut inte förändras. Använd inte adapterkontakter tillsammans med skyddsjordade elverktyg.** Oförändrade stickproppar och passande vägguttag reducerar risken för elchock.
- Undvik kroppskontakt med jordade ytor som t. ex. rör, värmeelement, spisar och kylskåp.** Det finns en större risk för elchock om din kropp är jordad.
- Skydda elverktyget mot regn och väta.** Tränger vatten in i ett elverktyg ökar risken för elchock.
- Misshandla inte nätsladden. Använd inte sladden för att bära eller hänga upp elverktyget och inte heller för att dra stickproppen ur vägguttaget. Håll nätsladden på avstånd från värme, olja, skarpa kanter och rörliga maskindelar.** Skadade eller tilltrasslade sladdar ökar risken för elchock.
- Använd när du arbetar med ett elverktyg utomhus endast förlängningssladdar som är godkända för utomhusbruk.** Om en avsedd förlängningssladd för utomhusbruk används minskar risken för elchock.

3. Personlig säkerhet

- Var uppmärksam, se på vad du gör och använd elverktyget med förnuft. Använd inte elverktyget när du är trött eller om du är påverkad av droger, alkohol eller mediciner.** Under användning av elverktyg kan även en kort ouppmärksamhet leda till allvarliga kroppsskador.
 - Använd personlig skyddsutrustning. Bär alltid skyddsglasögon.** Den personliga skyddsutrustningen som t.ex. dammfiltermask, halkfria säkerhetsskor, hjälm eller hörselskydd – med beaktande av elverktygets modell och driftsätt – reducerar risken för kroppsskada.
 - Undvik oavsiktlig igångsättning. Kontrollera att strömbrytaren står i avstängt läge innan du kopplar elverktyget till nätet.** Det kan vara mycket farligt att bära ett elverktyg med fingret på strömbrytaren eller koppla det till nätet med strömbrytaren i till-läge.
 - Ta bort alla inställningsverktyg och skruvnycklar innan du startar elverktyget.** Ett verktyg eller en nyckel i en roterande komponent kan medföra kroppsskada.
 - Sträck dig inte för långt. Se till att du alltid har säkert fotfäste och balans.** På så sätt kan du lättare kontrollera elverktyget i oväntade situationer.
 - Bär lämpliga kläder. Bär inte löst hängande kläder eller smycken. Håll hår, kläder och handskar undan från rörliga delar.** Löst hängande kläder, smycken och långt hår kan dras in av roterande delar.
 - Vid elverktyg med dammsugnings- och - uppsamlingsutrustning kontrollera att anordningarna är rätt monterade och används på korrekt sätt.** Dessa anordningar reducerar riskerna i samband med damm.
- Bruk och skötsel av elverktyg**
 - Överbelasta inte elverktyget. Använd rätt elverktyg för det aktuella arbetet.** Med ett lämpligt elverktyg kan du arbeta bättre och säkrare inom angivet effektområde.
 - Ett elverktyg med defekt strömbrytare får inte användas.** Ett elverktyg som inte kan kopplas till eller från är farligt och måste repareras.
 - Dra stickproppen ur vägguttaget innan inställningar utförs, tillbehörskomponenter byts ut eller elverktyget ställs undan.** Denna skyddsåtgärd förhindrar oavsiktlig inkoppling av elverktyget.
 - Förvara elverktygen oåtkomliga för barn. Låt inte elverktyget användas av personer som inte är förtrogna med dess användning eller inte läst denna anvisning.** Elverktygen är farliga om de används av oerfarna personer.

- e. **Sköt elverktyget omsorgsfullt. Kontrollera att rörliga komponenter fungerar felfritt och inte kärvar, att komponenter inte brustit eller skadats och inget annat föreligger som kan påverka elverktygets funktioner. Låt skadade delar repareras innan elverktyget används på nytt.** Många olyckor orsakas av dåligt skötta elverktyg.
- f. **Håll skärverktyg skarpa och rena.** Omsorgsfullt skötta skärverktyg med skarpa eggar fastnar inte så lätt och går lättare att styra.
- g. **Använd elverktyget, tillbehör, insatsverktyg osv. enligt dessa anvisningar och på sätt som föreskrivits för aktuell verktygsmodell. Ta hänsyn till arbetsvillkoren och arbetsmomenten.**
Används elverktyget på icke ändamålsenligt sätt kan farliga situationer uppstå.

5. Service

- a. **Låt elverktyget endast repareras av kvalificerad fackpersonal och med originalreservdelar.**
Detta garanterar att elverktygets säkerhet bibehålls.

Säkerhetsinstruktioner för alla sågar

Fara:

- ♦ **Håll händerna på betryggande avstånd från sågområdet och sågklingan. Håll andra handen på stödhandtaget eller motorhuset.** Om båda händerna hålls på sågen kan de inte skadas av sågklingan.
- ♦ **För inte in handen under arbetsstycket.** Klingskyddet kan under arbetsstycket inte skydda handen mot sågklingan.
- ♦ **Ställ in sågningsdjupet till arbetsstyckets tjocklek.** Den synliga delen av en tand under arbetsstycket måste vara mindre än en hel tand.
- ♦ **Arbetsstycket som ska sågas får aldrig hållas i handen eller över benen. Säkra arbetsstycket på ett stabilt underlag.** Det är viktigt att arbetsstycket hålls fast ordentligt för undvikande av kontakt med kroppen, inklämning av sågklinga eller förlorad kontroll över sågen.
- ♦ **Håll fast sågen endast vid de isolerade handtagen när sågning utförs på ställen där sågklingan kan skada dolda elledningar eller egen nätsladd.** Om sågen kommer i kontakt med en spänningsförande ledning sätts sågens metalldelar under spänning som sedan kan leda till elektriskt slag.
- ♦ **Vid långsriktad sågning ska alltid ett anslag eller en räkinstyring användas.** Detta förbättrar snittnoggrannheten och minskar risken för att sågklingan kommer i kläm.

- ♦ **Använd alltid sågklingor med rätt storlek och lämpligt infästningshål (t.ex. i stjärnform eller rund).** Sågklingor som inte passar till sågens monteringskomponenter roterar orunt och leder till att kontrollen förloras över sågen.
- ♦ **Använd aldrig skadade eller felaktiga underläggsbrickor eller skruvar för sågklingan.** Underläggsbrickorna och skruvarna för sågklingan har konstruerats speciellt för denna såg för optimal effekt och driftsäkerhet.

Tillkommande säkerhetsinstruktioner för alla sågar
Orsaker för och eliminering av bakslag:

- ett bakslag är en plötslig reaktion hos en sågklinga som hakat upp sig, klämts fast eller är fel inriktad och som leder till att sågen okontrollerat lyfts upp ur arbetsstycket och kastas mot användaren;
- om sågklingan hakar upp sig eller kläms fast i sågspåret som går ihop, kommer klingan att blockera varefter motorkraften kastar sågen i riktning mot användaren;
- om sågklingan snedvrids i sågspåret eller är fel inriktad, kan tänderna på sågklingans bakre kant haka upp sig i arbetsstyckets yta varvid sågklingan går ur sågspåret och hoppar bakåt mot användaren.

Bakslag uppstår till följd av missbruk og/eller felaktig hantering av sågen. Detta kan undvikas genom skyddsåtgärder som beskrivs nedan.

- ♦ **Håll stadigt i sågen med båda händerna och håll armarna i ett läge som möjliggör att hålla stånd mot de bakslagskrafter som eventuellt uppstår. Stå alltid på sidan om sågklingan; håll aldrig sågklingan i linje med kroppen.** Vid ett bakslag kan cirkelsågen hoppa bakåt men användaren kan behärska bakslagskraften om lämpliga åtgärder vidtagits.
- ♦ **Om sågklingan kommer i kläm eller sågning avbryts av annan orsak, släpp Till-Från strömställaren och håll kvar sågen i arbetsstycket tills sågklingan stannat fullständigt. Försök aldrig dra sågen ur arbetsstycket eller bakåt så länge sågklingan roterar eller risk finns för att bakslag uppstår.** Lokalisera orsaken för inklämd sågklinga och avhjälj felet.
- ♦ **Vill du återstarta en såg som sitter i arbetsstycket centrera sågklingan i sågspåret och kontrollera att sågklingans tänder inte hakat upp sig i arbetsstycket.** Är sågklingan inklämd kan den gå upp ur arbetsstycket eller orsaka bakslag vid återstart av sågen.
- ♦ **Stöd stora skivor för att reducera risken för ett bakslag till följd av inklämd sågklinga.** Stora och tunga skivor kan böjas ut. Skivorna måste därför stödas på båda sidorna både i närheten av sågspåret och vid skivans kanter.

- ◆ **Använd inte oskarpa eller skadade sågklingor.** Sågklingor med oskarpa eller fel inriktade tänder medför till följd av ett för smalt sågspår ökad friktion, inklämning av sågklingan och bakslag.
- ◆ **Före sågning påbörjas dra stadigt fast inställningsanordningarna för sågdjup och snittvinkel.** Om inställningarna förändras under sågning kan sågklingan klämmas fast och orsaka bakslag.
- ◆ **Var speciellt försiktig vid "insågning" på ett dolt område, t.ex. i en färdig vägg.** Den inträngande sågklingan kan blockera vid sågning i dolda objekt och förorsaka bakslag.

Säkerhetsinstruktioner för sågar med ett pendlande klingskydd.

- ◆ **Kontrollera innan sågen används att det undre klingskyddet stänger felfritt. Sågen får inte tas i bruk om det undre klingskyddet inte är fritt rörligt och inte stängs omedelbart. Kläm eller bind inte fast det undre klingskyddet i öppet läge.** Om sågen av misstag faller ner på golvet finns risk att det undre klingskyddet deformeras. Öppna klingskyddet med återdragningsspaken och kontrollera att det är fritt rörligt och att det vid alla snittvinklar och snittdjup varken berör sågklingan eller andra delar.
- ◆ **Kontrollera funktionen på fjädern till det undre klingskyddet. Låt sågen repareras innan den tas i bruk om klingskyddet eller fjädern inte fungerar felfritt.** Skadade delar, klubbiga avlagringar eller anhopning av spån kan hindra det undre klingskyddets rörelse.
- ◆ **Öppna det undre klingskyddet för hand endast vid speciella snitt som t.ex. "insågning och vinkelsnitt". Öppna det undre klingskyddet med återdragningsspaken och släpp den så fort sågklingan gått in i arbetsstycket.** Vid all annan sågning måste det undre klingskyddet fungera automatiskt.
- ◆ **Se till att sågklingan skyddas av det undre klingskyddet när sågen läggs bort på arbetsbänk eller golv.** En oskyddad och roterande sågklinga förflyttar sågen bakåt och kan såga allt som är i vägen. Beakta även sågens eftergång.

Tillkommande säkerhetsinstruktioner för sågar med spaltkniv

- ◆ **Använd endast den spaltkniv som passar till aktuell sågklinga.** Spaltkniven måste vara tjockare än sågklingans stamblad men tunnare än tandbredden på sågklingan.
- ◆ **Justera spaltkniven enligt beskrivning i bruksanvisningen.** Fel tjocklek, läge och inriktning kan vara orsaken till att spaltkniven inte effektivt förhindrar ett bakslag.

- ◆ **Använd alltid spaltkniven förutom vid insågning.** Återmontera klyvkniven efter utförd insågning.
- ◆ **För att spaltkniven ska fungera måste den sitta i sågspåret.** Vid korta snitt kan spaltkniven inte förhindra ett bakslag.
- ◆ **Sågen får inte användas med deformerad spaltkniv.** Redan en liten störning kan bromsa upp klingskyddets stängning.

Tillkommande säkerhetsinstruktioner för cirkelsågar

- ◆ Använd hörselskydd. Att utsättas för buller kan leda till hörselskador.
- ◆ Använd helst en skyddsmask.
- ◆ Använd aldrig blad med större eller mindre diameter än rekommenderat. Se tekniska data för besked om rätt klingor. Används endast de sågblad som anges i denna handbok, de måste uppfylla EN 847-1.
- ◆ Använd aldrig kapskivor.

Elektrisk säkerhet



Eftersom verktyget är dubbelisolerat behövs ingen jordledare. Kontrollera alltid att nätspänningen överensstämmer med värdet på märkplåten.

- ◆ Ungdomar eller personer med svag hälsa får inte använda verktyget utan tillsyn. Håll uppsyn så att inga barn leker med apparaten.
- ◆ Om nätsladden är skadad måste den bytas ut av tillverkaren eller en godkänd Black & Decker serviceverkstad för att undvika risker.

Översikt

1. Strömbrypare
2. Låsknapp
3. Huvudhandtag
4. Stödhandtag
5. Knapp axelspär
6. Sågfoot
7. Blad
8. Sågbladskydd
9. Klyvkniv
10. Parallellanslag
11. Lasermodul
12. Sågbladsnyckel
13. Dammutsläpp

Montering

Varning! Kontrollera före montering att verktyget är avstängt, kontakten utdragen och att sågbladet står stilla.

Montering och borttagning av sågklinga (fig. A)

Avlägsnande

- Håll spindelåsets knapp (5) intryckt och vrid bladet tills låset griper och låser fast.
- Lossa och tag bort klingskruven (14) genom att vrida den moturs med hjälp av den medlevererade nyckeln (12).
- Tag bort den yttre brickan (15).
- Avlägsna sågbladet (7).

Montering

- Placera sågklingan på den inre flänsen (16) och kontrollera att pilen på klingan pekar i samma riktning som pilen på verktyget.
- Montera den yttre brickan (15) på spindeln med den upphöjda delen riktad bort från sågklingan.
- För in klingskruven (14) i hålet.
- Håll spindelns spärrknapp (5) intryckt.
- Dra åt klingskruven ordentligt genom att vrida på den medurs med hjälp av den bifogade nyckeln (12).
- Justera spaltkniven enligt nedanstående beskrivning.

Inställning av spaltkniven (fig. B)

Spaltkniven förhindrar att sågklingan fastnar under klyvsågning. Spaltkniven måste justeras om man byter sågklinga.

- Lossa skruven (17) med nyckeln (12) och håll spaltkniven på plats under tiden. Man måste minska sågdjupet för att komma åt skruvarna.
- Placera spaltkniven (9) enligt figuren.
- Avståndet mellan den tandade kanten och spaltkniven bör vara 2–3 mm.
- Höjdskillnaden mellan den tandade kanten och den lägre änden av spaltkniven bör vara 2–3 mm.
- Dra åt skruvarna.

Montering och borttagning av parallellanslaget (fig. C)

- Parallellanslaget används för sågning i en rak linje parallellt med arbetsstyckets kant.

Montering

- Lossa spärrknappen (18).
- För in parallellanslaget (10) genom öppningarna (19).
- Skjut parallellanslaget till önskad position.
- Dra åt spärrknappen.

Avlägsnande

- Lossa på spärrknappen.
- Dra ut parallellanslaget ur verktyget.

Användning

Varning! Överbelasta inte maskinen, låt den arbeta i sin egen takt.

Detta verktyg kan användas med höger eller vänster hand.

Justering av bladvinkeln (fig. D)

Sågbladets vinkel gentemot foten är som standard 90°.

- Kontrollera med en vinkelhake att vinkeln mellan sågbladet och foten är 90°. Justera vinkeln så här om den inte är 90°:
- Lossa låsknappen (20) för att frigöra sågfoten.
- Skruva ställskruven (21) ut eller in tills vinkeln är 90°.
- Dra åt låsknappen för att spärra sågfoten på plats.

Justera fräsdjupet (fig. E)

Snittdjupet bör ställas in i förhållande till arbetsstyckets tjocklek. Det bör överskrida tjockleken med ca. 2 mm.

- Lossa spaken (22) för att lösgöra sågfoten.
- Flytta sågfoten (6) till önskat läge. Motsvarande snittdjup kan avläsas från skalan (23).
- Dra åt spaken för att spärra sågfoten på plats.

Justering av fäsvinkeln (fig. F)

Detta verktyg kan ställas in med fäsvinklar mellan 0° och 45°.

- Lossa låsknappen (20) för att frigöra sågfoten.
- Flytta sågfoten (6) till önskat läge. Motsvarande fäsvinkel kan avläsas från skalan (24).
- Dra åt låsknappen för att spärra sågfoten på plats.

Start och stopp

- Starta verktyget genom att frigöra låsknappen (2) och trycka på strömbrytaren (1).
- Släpp strömbrytaren för att stänga av verktyget.

Sågning

Håll alltid säkert i verktyget med båda händerna.

- Låt bladet löpa fritt några sekunder innan du börjar såga.
- Utöva endast lätt tryck mot verktyget under sågningen.
- Arbeta med sågfoten stadigt tryckt mot arbetsstycket.

Råd för bästa resultat

- Då det inte går att undvika att träet flisar sig på arbetsstyckets ovansida bör du såga så att eventuella flisor kommer på baksidan.
- I de fall då det är viktigt att minimera flisor, t ex när laminat sågas, placera du en bit plywood ovanpå arbetsstycket.

Bruk av siktguiden (fig. G)

Verktyget är utrustat med en siktguide för rak sågning (25) och för 45° geringssågning (26).

- Justera siktguiden enligt nedanstående anvisningar.
- Rikta in guidernas vänstra kant (25) eller (26) mot såglinjen (27).
- Håll siktguiden riktad efter såglinjen under sågning.
- Arbeta med sågfoten stadigt tryckt mot arbetsstycket.

Justering av siktguiden

- Gör en testsågning halvvägs igenom en bit restträ.
- Avlägsna sågen så att såglinjen (27) blir synlig.
- Samtidigt som du håller sågen i position lossar du siktguiden på sågskon enligt bilden.
- Rikta in 0° markeringen (25) på siktguiden mot såglinjen (27). När du ställer in för 45° geringssågning riktar du in 45° markeringen (26) på siktguiden mot såglinjen.
- Spärra siktguiden med skruvarna (28).

Bruk av lasern (fig. H)

Linjen är lätt att följa när man ser den rakt uppifrån över sågen. Om man av någon anledning inte kan använda denna synvinkel kan man använda lasern som sågstyrning. Innan lasern monteras måste den främre foten (29) dras tillbaka.

- Placera enheten på siktguiden.
- Skjut in de bakre fötterna (30) i motsvarande hål (31).
- Placera sågen över såglinjen.
- Starta lasern.

Se även laserenhetens bruksanvisning.

Dammav sugning (fig. I)

Man kan ansluta en dammsugare till verktyget genom dammsugningsöppningen.

- Anslut dammsugarens slang (11) till öppningen (13).

Skötsel

Ditt verktyg har tillverkats för att fungera under lång tid med ett minimum av underhåll. Med rätt underhåll och regelbunden rengöring behåller verktyget sin prestanda.

Varning! Stäng av verktyget och dra ut sladden innan du påbörjar underhåll och skötsel.

- Rengör regelbundet verktygets luftintag med en mjuk borste eller torr trasa.
- Rengör kåpan regelbundet med en fuktig trasa. Använd aldrig rengöringsmedel med lösnings- eller slipmedel.

Miljöskydd



Särskild insamling. Denna produkt får inte kastas bland vanliga hushållssopor.

Om du någon gång i framtiden behöver ersätta din Black & Decker-produkt med en ny, eller inte längre behöver den, ska du inte kasta den i hushållssoporna. Denna produkt skall lämnas till särskild insamling.



Efter insamling av använda produkter och förpackningsmaterial kan materialen återvinnas och användas på nytt. Användning av återvunna material skonar miljön och minskar förbrukningen av råvaror.

Enligt lokal lagstiftning kan det förekomma särskilda insamlingar av uttjänt elutrustning från hushåll, antingen vid kommunala miljöstationer eller hos detaljhandlaren när du köper en ny produkt.

Black & Decker erbjuder en insamlings- och återvinningstjänst för Black & Decker-produkter när de en gång har tjänat ut. För att använda den här tjänsten lämnar du in produkten till en auktoriserad B & D –reparatör/representant som tar hand om den för din räkning.

Närmaste auktoriserad Black & Decker-representant finner du genom det lokala Black & Decker-kontoret på adressen i den här manualen. Annars kan du söka på Internet, på listan över auktoriserade Black & Decker-representanter och alla uppgifter om vår kundservice och andra kontakter.

www.2helpU.com

Tekniska data

		XTS1660
Spänning	V_{AC}	230
Ineffekt	W	1.600
Obelastad hastighet	min^{-1}	5.000
Max. snittdjup	mm	65
Bladdiameter	mm	190
Bladhål	mm	16
Klingans tandbredd	mm	2,2
Vikt	kg	5,8

EC-förklaring om överensstämmelse

XTS1660

Black & Decker förklarar att dessa produkter överensstämmer med:

98/37/EEG , 89/336/EEG, EN 60745, EN 55014, EN 61000

L_{PA} (bullertryck) 102 dB(A), L_{WA} (akustisk effekt) 113 dB(A),
vägt geometriskt vibrationsvärde hand/arm 1,92 m/s²

K_{PA} (osäkerhet bullertryck) 3 dB(A),

K_{WA} (osäkerhet akustisk effekt) 3 dB(A)

Kevin Hewitt
Director of Consumer Engineering
Spennymoor, County Durham DL16 6JG,
Storbritannien

1-1-2006

Reservdelar / reparationer

Reservdelar finns att köpa hos auktoriserade Black & Decker verkstäder, som även ger kostnadsförslag och reparerar våra produkter.

Förteckning över våra auktoriserade verkstäder finns på Internet, vår hemsida **www.blackanddecker.se** samt **www.2helpU.com**

Garanti

Black & Decker lutar på sina produkters kvalitet och erbjuder en utomordentlig garanti. Denna garanti erbjuder jämte dina lagstadgade rättigheter och påverkar inte dessa. Garantin gäller inom EU:s och EFTA:s medlemsstater.



Om en Black & Decker XT produkt (exklusive tillbehör, tillsatser, batterier, laddare och chuck) blir defekt på grund av felaktiga material, felaktig tillverkning eller brist på konformitet inom 3 år från och med inköpsdatum, garanterar Black & Decker att man byter ut alla defekta delar, reparerar produkter som utsatts för skäligt slitage eller byter ut produkter under förutsättning att produkten är registrerad på garantiwebbplatsen för Black & Decker XT inom 90 dagar efter inköp. Om produkten inte är registrerad gäller endast standardgarantin (2 år).

Denna garanti gäller inte om:

- ◆ Produkten har använts professionellt eller för uthyrning;
- ◆ Produkten har varit föremål för felaktig användning eller försummelse;
- ◆ Produkten har skadats av främmande föremål, ämnen eller olyckor;
- ◆ Försök till reparationer har gjorts av obehöriga personer;
- ◆ Produkten har modifierats på något sätt från dess ursprungliga specifikation;
- ◆ Olämpliga tillbehör eller tillsatser har använts.

Den utökade garantin gäller inte om:

- ◆ Inköpsbevis och ursprungligt garantibevis inte kan visas.

Registrera din produkt online nu på

www.blackanddecker.se/xt för att få den utökade garantin (3 år) samt för att erhålla information om nya produkter och specialerbjudanden.

För att göra anspråk på garantin måste du kunna visa inköpsbevis för återförsäljare eller auktoriserad reparatör. Närmaste auktoriserade Black & Decker-representant finner du genom det lokala Black & Decker-kontoret på adressen i den här manualen. Annars kan du söka på Internet, på listan över auktoriserade Black & Decker-representanter och alla uppgifter om vår kundservice och andra kontakter.

www.2helpU.com

Vidare information om märket Black & Decker och vårt produktsortiment kan återfinnas på

www.blackanddecker.se

Bruksområder

Din Black & Decker sag er deisgnet for saging av tre og treprodukter.

Verktøyet er tiltenkt kun som konsumentverktøy.

Generelle sikkerhetsforskrifter

Advarsel! Les gjennom alle anvisningene. Hvis anvisningene nedenfor ikke overholdes, kan det medføre elektrisk støt, brann og/eller alvorlige skader. Uttrykket «elektroverktøy» i alle advarslene nedenfor gjelder for strømdrevne elektroverktøy (med ledning) og batteridrevne elektroverktøy (uten ledning).

TA GODT VARE PÅ DISSE ANVISNINGENE.

1. Arbeidsplassen

a. Hold arbeidsområdet rent og godt opplyst.

Rotete arbeidsområder og arbeidsområder uten godt lys kan føre til ulykker.

b. Ikke arbeid med elektroverktøy i eksplosjonsfarlige omgivelser – der det befinner seg brennbare væsker, gass eller støv.

Elektroverktøy forårsaker gnister som kan antenne støv eller damper.

c. Hold barn og andre personer unna når elektroverktøyet brukes.

Hvis du blir forstyrret under arbeidet, kan du miste kontrollen.

2. Elektrisk sikkerhet

a. Støpselet til elektroverktøyet må passe inn i stikkkontakten. Støpselet må ikke forandres på noen som helst måte. Ikke bruk adapterstøpsler sammen med jordete elektroverktøy.

Bruk av originale støpsler og passende stikkontakter reduserer risikoen for elektrisk støt.

b. Unngå kroppskontakt med jordete overflater som rør, radiatorer, komfyrer og kjøleskap.

Det er større fare for elektrisk støt hvis kroppen din er jordet.

c. Hold elektroverktøy unna regn eller fuktighet.

Dersom det kommer vann i et elektroverktøy, øker risikoen for elektrisk støt.

d. Unngå uforvarlig behandling av ledningen.

Elektroverktøyet må aldri bæres eller trekkes etter ledningen, og trekk heller ikke ut støpselet ved å rykke i ledningen. Hold ledningen unna varme, olje, skarpe kanter eller bevegelige deler. Med skadde eller sammenflokete ledninger øker risikoen for elektrisk støt.

e. Når du arbeider utendørs med et elektroverktøy, må du kun bruke en skjøteledning som er godkjent til utendørs bruk.

Ved å bruke en skjøteledning som er egnet for utendørs bruk, reduseres risikoen for elektrisk støt.

3. Personikkerhet

a. Vær oppmerksom, pass på hva du gjør og gå fornuftig fram når du arbeider med et elektroverktøy.

Ikke bruk elektroverktøy når du er trett eller er påvirket av narkotika, alkohol eller medikamenter.

Et øyeblikks uoppmerksomhet under bruk av verktøyet kan føre til alvorlige personskader.

b. Bruk personlig verneutstyr. Bruk alltid vernebriller.

Bruk av personlig verneutstyr, for eksempel støvmaske, sklisikre vernesko, hjelm eller hørselsvern som passer til forholdene, reduserer risikoen for personskader.

c. Unngå utilsiktet start av elektroverktøyet. Påse at bryteren står i posisjon "AV" før verktøyet koples til.

Det kan føre til ulykker hvis du bærer elektroverktøyet med fingeren på bryteren, eller kople til verktøyet når bryteren ikke står i posisjon "AV".

d. Fjern innstillingsverktøy eller skrunøkler før du slår på elektroverktøyet.

Et verktøy eller en nøkkel som befinner seg i en roterende del, kan føre til personskade.

e. Ikke strekk deg for langt. Pass på at du alltid har sikkert fotfeste og god balanse.

Da kan du kontrollere elektroverktøyet bedre i uventede situasjoner.

f. Bruk alltid egnede klær. Ikke bruk løstsittende klær eller smykker. Hold hår, klær og hansker unna bevegelige deler.

Løstsittende tøy, smykker eller langt hår kan komme inn i bevegelige deler.

g. Hvis det kan monteres støvavsug- og oppsamlingsinnretninger, må du forvise deg om at disse er tilkoblet og brukes på korrekt måte.

Bruk av disse innretningene reduserer faren i forbindelse med støv.

4. Aktsom håndtering og bruk av elektroverktøy

a. Ikke bruk makt på elektroverktøyet. Bruk et elektroverktøy som er beregnet på den type arbeid du vil utføre.

Med et passende elektroverktøy arbeider du bedre og sikrere i det angitte effektområdet.

b. Ikke bruk elektroverktøy med defekt strømbryter.

Et elektroverktøy som ikke lenger kan slås av eller på med bryteren, er farlig og må repareres.

c. Trekk støpselet ut av stikkkontakten før du utfører innstillinger på elektroverktøyet, skifter tilbehørsdeler eller legger elektroverktøyet bort.

Disse tiltakene reduserer risikoen for en utilsiktet start av elektroverktøyet.

d. Elektroverktøy som ikke er i bruk, må oppbevares utilgjengelig for barn. Ikke la verktøyet brukes av personer som ikke er fortlørlig med dette, eller som ikke har lest disse bruksanvisningene.

Elektroverktøy er farlige når de brukes av uerfarne personer.

- e. **Vær nøye med vedlikehold av elektroverktøy. Kontroller om bevegelige deler fungerer feilfritt og ikke klemmes fast, om deler er brukt eller skadet og andre forhold som kan innvirke på elektroverktøyets funksjon. Hvis elektroverktøyet er skadet, må det repareres før bruk.** Dårlig vedlikeholdte elektroverktøy er årsaken til mange uhell.
- f. **Hold skjæreverktøy skarpe og rene.** Godt vedlikeholdte skjæreverktøy med skarpe egger setter seg ikke så ofte fast og er lettere å føre.
- g. **Bruk elektroverktøy, tilbehør, bits osv. i henhold til disse anvisningene og slik det er foreskrevet for denne spesielle verktøytypen. Ta hensyn til arbeidsforholdene og arbeidet som skal utføres.** Bruk av elektroverktøy til andre formål enn det som er angitt, kan føre til farlige situasjoner.

5. Service

- a. **Elektroverktøyet ditt skal alltid repareres av kvalifisert personell og kun med originale reservedeler.** Dette forsikrer at elektroverktøyet sikkerhet opprettholdes.

Sikkerhetsinstruksjoner for alle sager

Fare:

- ◆ **Hold hendene unna sagområdet og bladet. Hold din andre hånd på hjelpehåndtaket, eller på motorhuset.** Hvis begge hender holder i sagen, kan de ikke bli skåret av bladet.
- ◆ **Ikke grip under arbeidsemnet.** Vernet kan ikke beskytte deg mot bladet under arbeidsemnet.
- ◆ **Juster skjæredybden til tykkelsen på arbeidsemnet.** Minder enn én hel tann av sagbladets tenner bør vises under arbeidsemnet.
- ◆ **Hold aldri et emne som skjæres i hendene eller over bena. Fest arbeidsemnet til en stabil plattform.** Det er viktig å feste emnet riktig for å redusere kroppskontakt, fastklemming av sagbladet, eller tap av kontroll.
- ◆ **Hold elektriske verktøy i de isolerte gripeflatene når du utfører arbeid der skjæreverktøyet kan komme i kontakt med skjulte ledninger eller sin egen kabel.** Kontakt med en strømførende kabel vil gjøre verktøyet metalldeleer strømførende og gi operatøren støt.
- ◆ **Når du kløyver må du alltid bruke kløyvevern eller en rett kantføring.** Dette bedrer nøyaktigheten på skjæret og reduserer mulighetene for at bladet skal klemmes.

- ◆ **Bruk alltid blader med rett størrelse og form (stjerneformet eller undt) på festehullene.** Blad som ikke passer til sagens monteringsdel vil gå i en eksentrisk bane, noe som forårsaker tap av kontroll.
- ◆ **Bruk aldri et skadde eller feil underlagsskiver eller skruer.** Underlagsskivene og skruen er spesielt utviklet for din sag, for best mulig ytelse og sikker bruk.

Ytterligere sikkerhetsinstruksjoner for alle sager

Årsaker til tilbakeslag og hvordan operatøren forhindrer dette:

- tilbakeslag er en plutselig reaksjon fra et klemt, bøyd eller feilinnstilt sagblad, som gjør at en ukontrollert sag løftes opp av arbeidsemnet og mot operatøren.
- når bladet er klemt eller bøyd hardt av en sagespalte som lukkes ned, blokkerer bladet og motoraksjonen driver bladet raskt tilbake mot operatøren.
- hvis bladet blir vridd eller feil rettet i skjæret, kan tennene på den bakre kanten av bladet grave seg inn i den øvre delen av treet og få bladet til å klatre ut av sagespalten og hoppe tilbake mot operatøren.

Tilbakeslag er et resultat av feil bruk av sagen og/eller feil brukerprosedyrer eller forhold, og kan unngås ved å ta riktige forholdsregler som forklart nedenfor.

- ◆ **Hold et fast grep med begge hender på sagen og posisjoner armene dine for å motstå tilbakeslagskreftene. Plasser kroppen din enten til side bladet, aldri på linje med bladet.** Tilbakeslag kan få bladet til å hoppe bakover, men tilbakeslagskreftene kan kontrolleres av operatøren, hvis riktige forholdsregler er tatt.
- ◆ **Når bladet klemmes, eller når et skjær blir avbrutt av enhver årsak, slipp utløserlåsen og hold sagen stille i materialet til bladet stanser fullstendig opp. Forsøk aldri å fjerne sagen fra emnet eller å trekke sagen bakover mens bladet er i bevegelse, da tilbakeslag kan forekomme.** Finn ut hvorfor bladet klemmes og gjør det som skal til for å eliminere årsaken.
- ◆ **Når sagen startes igjen i et arbeidsemne, sentrer sagbladet i sagespalten og kontroller at bladets tenner ikke har tak i materialet.** Hvis sagbladet er fastklemmt kan det gå ut av- eller slå tilbake fra arbeidsemnet når sagen startes igjen.
- ◆ **Støtt opp lange bord for å redusere risikoen for at bladet skal klemmes, og for tilbakeslag. Lange bord har en tendens til å sige under sin egen vekt.** Støtter bør plasseres under bordet på begge sider, nær skjærelinjen og nær kanten på bordet.
- ◆ **Bruk ikke sløve eller skadde sagblader.** Uskarpe eller feilmonterte blader lager en smal sagespalte, noe som forårsaker økt fiksjon, fastklemming og tilbakeslag.

- ◆ **Låsespakene til justering av bladets dybde og vinkel må være strammet til og sikret før skjæringen starter.** Hvis bladet beveger seg under skjæringen, kan dette skape klemming og tilbakeslag.
- ◆ **Vær ekstra forsiktig når du gjør et "innstikkskutt" i vegger eller andre blinde områder.** Bladet kan komme til å skjære i noe som kan forårsake tilbakeslag.

Sikkerhetsinstruksjoner for sager med pendelbladvern

- ◆ **Kontroller at det nedre vernet lukker som det skal før hver gang sagen brukes. Ikkebruks en sag dersom det nedre vernet ikke beveger seg fritt og lukker momentant. Aldri klem eller bind det nedre vernet på plass.** Hvis sagen skulle mistes ned, kan det nedre vernet bli bøyd. Løft det nedre vernet med tilbaketrekkingshåndtaket og sørg for at det beveger seg fritt og ikke berører bladet eller noen annen del i noen vinkel eller dybde for skjæret.
- ◆ **Kontroller at fjæren til det nedre vernet virker. Hvis vernet og fjæren ikke virker riktig, må de repareres før sagen brukes.** Det nedre vernet kan regagere sent som følge av skadde deler, klebrige avleiringer eller opphopning av sagflis.
- ◆ **Det nedre vernet bør kun trekkes tilbake manuelt for spesielle kutt som "innstikk" og "vinkelsnitt". Løft det nedre vernet med tilbaketrekkingshåndtaket, og slipp det ned igjen så fort bladet går inn i materialet.** For alle andre typer saging bør det nedre vernet fungere automatisk.
- ◆ **Kontroller alltid at det nedre vernet dekker bladet før sagen settes ned på en benk eller på gulvet.** Et ubeskyttet og roterende sagblad vil få sagen til å gå bakover og sage alt som kommer i veien. Vær oppmerksom på tiden det tar for at bladet stanser etter at bryteren slippes.

Ytterligere sikkerhetsinstruksjoner for alle sager med spaltekniv

- ◆ **Bruk en passende spaltekniv for bladet som benyttes.** For at spaltekniven skal virke må den være tykkere enn sagbladet, men tynnere enn tannsettet på sagbladet.
- ◆ **Juster spaltekniven som beskrevet i denne instruksjonsmanualen.** Feil avstand, plassering og innstilling kan gjøre at spaltekniven ikke forhindrer tilbakeslag.
- ◆ **Bruk alltid spaltekniven, bortsett fra ved innstikk.** Spaltekniven bør monteres igjen etter innstikket. Spaltekniven er en hindring under innstikk og kan forårsake tilbakeslag.

- ◆ **For at spaltekniven skal virke må den ha tak i arbeidsemnet.** Spaltekniven kan ikke hindre tilbakeslag under korte snitt.
- ◆ **Bruk ikke sagen dersom spaltekniven er bøyd.** Selv en liten hindring kan senke lukkehastigheten på vernet.

Ytterligere sikkerhetsinstruksjoner for sirkelsager

- ◆ Bruk hørselvern. Utsettelse for støy kan forårsake hørselstap.
- ◆ Bruk helst en støvmaske.
- ◆ Ikke bruk blader med større eller mindre diameter enn anbefalt. For korrekt spesifiserte blad, se tekniske data. Bruk kun bladene som er spesifiserte i denne manualen, og som oppfyller EN 847-1.
- ◆ Bruk aldri slipeskiver.

Elektrisk sikkerhet



Dette apparatet er dobbeltisolert. Derfor er ikke jording nødvendig. Kontroller at nettspenningen er i overensstemmelse med spenningen på typeskiltet.

- ◆ Dette apparatet er ikke beregnet for bruk av unge eller uerfarne personer uten tilsyn. Barn må ha tilsyn for å sikre at de ikke leker med apparatet.
- ◆ Hvis strømledningen skades, må den skiftes ut av fabrikanten eller et autorisert Black & Decker servicesenter for å unngå fare.

Oversikt

1. Strømbryter
2. Låseknapp
3. Hovedhåndtak
4. Støttehåndtak
5. Spindellåseknapp
6. Sagesko
7. Blad
8. Sagbladbeskyttelse
9. Spaltekniv
10. Parallellanlegg
11. Laserenhet
12. Sagbladnøkkel
13. Åpning for støvuttrekk

Montering

Advarsel! Før du setter sammen enheten må du forvise deg om at verktøyet er koblet fra strømmen og at sagbladet har stanset.

Fjerne og montere sagblader (fig. A)

Fjerne fra basen

- ◆ Hold spindellåseknappen (5) nede, og roter bladet til spindellåsen er festet.
- ◆ Løsne og ta av festeskruen på bladet (14) ved å dreie den mot urviseren ved hjelp av den medfølgende nøkkelen (12).
- ◆ Ta av den ytre skiven (15).
- ◆ Fjern sagbladet (7).

Plassere på basen

- ◆ Sett sagbladet på den indre skiven (16), og kontroller at pilen på bladet peker i samme retning som pilen på verktøyet.
- ◆ Sett den ytre skiven (15) på spindelen, og la den opphøyde delen peke bort fra sagbladet.
- ◆ Sett bladskruen (14) i hullet.
- ◆ Hold spindellåseknappen (5) inne.
- ◆ Stram bladets festeskruer godt ved å trekke den til med klokka ved hjelp av den medfølgende nøkkelen (12).
- ◆ Juster spaltekniven som forklart nedenfor.

Justere spaltekniven (fig. B)

Spaltekniven forhindrer at sagbladet ikke setter seg fast under kløvsaging. Spaltekniven må justeres om man bytter sagblad.

- ◆ Løsne skruen (17) som holder spaltekniven på plass med nøkkelen (12). Du må redusere dybden på kuttet for å få tilgang til skruene.
- ◆ Plasser spaltekniven (9) som angitt.
- ◆ Avstanden mellom tanneggen og spaltekniven bør være 2-3 mm.
- ◆ Høydeforskjellen mellom tanneggen og nedre ende av spaltekniven bør være 2-3 mm.
- ◆ Stram til skruene.

Montere og fjerne parallellanlegget (fig. C)

- ◆ Parallellanlegget brukes for å sage i en rett linje parallelt med kanten på arbeidsemnet.

Plassere på basen

- ◆ Løsne låseknappen (18).
- ◆ Sett parallellanlegget (10) inn i åpningene (19).
- ◆ Skyv parallellanlegget inn på ønsket posisjon.
- ◆ Stram låseknappen.

Fjerne fra basen

- ◆ Løse låsebryteren.
- ◆ Trekk parallellanlegget av verktøyet.

Bruk

Advarsel! La verktøyet jobbe med sin egen hastighet. Ikke overbelast det.

Dette verktøyet kan brukes i høyre hånd eller i venstre hånd.

Juster vinkelen på bladet (fig. D)

Standardvinkelen mellom sagbladet og skoen er 90 grader.

- ◆ Bruk en vinkelhake til å kontrollere at vinkelen mellom sagbladet og skoen er 90 grader. Hvis vinkelen ikke er 90 grader, juster som følger:
- ◆ Løsne låseknappen (20) for å frigjøre sagskoen.
- ◆ Skru justeringsskruen (21) inn eller ut for å oppnå 90 graders vinkel.
- ◆ Stram låseknappen for å låse sagskoen på plass.

Justere skjæredybden (fig. E)

Skjæredybden bør stilles inn i forhold til tykkelsen på arbeidsemnet. Den bør være omtrent 2 mm mer enn tykkelsen på emnet.

- ◆ Løsne spaken (22) for å frigjøre sagskoen.
- ◆ Flytt sagskoen (6) til ønsket posisjon. Aktuell skjæredybde kan avleses fra skalaen (23).
- ◆ Stram spaken for å låse sagskoen på plass.

Justere gjæringsvinkel (fig. F)

Dette verktøyet kan stilles til gjæringsvinkler mellom 0° og 45°.

- ◆ Løsne låseknappen (20) for å frigjøre sagskoen.
- ◆ Flytt sagskoen (6) til ønsket posisjon. Den tilsvarende gjæringsvinkelen kan avleses fra skalaen (24).
- ◆ Stram låseknappen for å låse sagskoen på plass.

Start og stopp

- ◆ For å slå verktøyet på holder du låseknappen (2) nede og trykker på strømbryteren (1).
- ◆ Slipp strømbryteren for å slå verktøyet av.

Saging

Hold alltid verktøyet med begge hender.

- ◆ La bladet gå ubelastet i et par sekunder før du begynner å sage.
- ◆ Legg kun forsiktig trykk på verktøyet mens du sager.
- ◆ Arbeid med sageskoen presset mot arbeidsemnet.

Råd for optimalt resultat

- ◆ Da det er uunnngåelig at treet fliser seg langs sagelinjen på oversiden av arbeidsemnet, bør du sage slik at eventuell flising kommer på undersiden av emnet.
- ◆ I de tilfeller hvor det er viktig å redusere flising til et minimum, f. eks. når du sager laminater, plasserer du et stykke finér oppå arbeidsemnet.

Bruke sikteguiden (fig. G)

Sagen er utstyrt med en sikteguide for rett saging (25) og en sikteguide for 45° gjæringsaging (26).

- ◆ Juster sikteguiden som beskrevet nedenfor.

- ◆ Rett inn guidenes venstre kant (25) eller (26) mot sagelinjen (27).
- ◆ Hold sikteguiden på linje med trimmetråden under saging.
- ◆ Arbeid med sageskoen presset mot arbeidsemnet.

Justering av sikteguide

- ◆ Gjør et testkutt halvveis gjennom et stykke skraptre.
- ◆ Trekk tilbake sagen slik at trimmetråden (27) blir synlig.
- ◆ Hold sagen i denne stillingen og løsne sikteguiden på sagskoen som vist i illustrasjonen.
- ◆ Juster 0°-merket (25) på sikteguiden mot sagelinjen (27). Når du justerer for 45° gjæringsvinkler, juster 45°-merket (26) på sikteguiden mot sagelinjen.
- ◆ Fest sikteguiden med skruene (28).

Bruk av laser (fig. H)

Når du ser linjen rett ovenfra, er det lett å følge den. Er sikten av en eller annen grunn begrenset, kan laseren brukes som en alternativ veiledning.

Før laserenheten installeres må den fremre foten (29) trekkes tilbake.

- ◆ Plasser enheten på sikteguiden.
- ◆ Sky de bakre føttene (30) inn i de respektive hullene (31).
- ◆ Plasser sagen over trimmetråden.
- ◆ Slå laseren på.

Se også laserenhetens manual.

Fjerning av sagspon (fig. I)

Med støvsuget kan du koble en støvsuger til verktøyet.

- ◆ Koble slangen (11) på støvsugeren til utløpet (13).

Vedlikehold

Verktøyet ditt er konstruert for å være i drift over lengre tid med et minimum av vedlikehold. Det er avhengig av godt vedlikehold og regelmessig rengjøring for å fungere som det skal til enhver tid.

Advarsel! Før alt vedlikehold må verktøyet slås av og kontakten trekkes ut.

- ◆ Rengjør ventileringsåpningene på verktøyet regelmessig med en myk børste eller en tørr klut.
- ◆ Rengjør motorhuset regelmessig med en fuktig klut. Ikke bruk slipende eller løsemiddelbaserte rengjøringsmidler.

Miljøvern



Kildesortering. Dette produktet må ikke kastes i det vanlige husholdningsavfallet.

Hvis du finner ut at Black & Decker-produktet ditt må skiftes ut, eller hvis du ikke lenger har bruk for det, må du unnlate å kaste det sammen med det vanlige husholdningsavfallet. Sørg for at dette produktet gjøres tilgjengelig for kildesortering.



Kildesortering av brukte produkter og emballasje gjør det mulig å resirkulere materialer og bruke dem igjen. Gjenbruk av resirkulerte materialer bidrar til å forhindre forurensning av miljøet og reduserer behovet for råmaterialer.

Lokale regelverk kan legge tilrette for kildesortering av elektriske produkter fra husholdningen, ved kommunale deponier eller gjennom forhandleren når du kjøper et nytt produkt.

Black & Decker har tilrettelagt for innsamling og resirkulering av Black & Decker-produkter etter at de har utspilt sin rolle. Ønsker du å benytte deg av denne tjenesten, returnerer du produktet ditt til et autorisert serviceverksted, som tar det imot og formidler det videre.

Du kan få adressen til ditt nærmeste autoriserte serviceverksted ved å kontakte ditt lokale Black & Decker-kontor på adressen oppgitt i denne håndboken. Du kan også finne en komplett liste over autoriserte Black & Decker-serviceverksteder og utfyllende informasjon om vår etter salg-service og kontaktnumre på følgende adresse:

www.2helpU.com

Tekniske data

		XTS1660
Spenning	V _{AC}	230
Inn-effekt	W	1.600
Hastighet ubelastet	min ⁻¹	5.000
Maks. sagedybde	mm	65
Bladdiameter	mm	190
Hulldiameter	mm	16
Bladets tannbredde	mm	2,2
Vekt	kg	5,8

Samsvarserklæring for EU

XTS1660

Black & Decker erklærer at disse produktene overholder:
98/37/EØF, 89/336/EØF, EN 60745, EN 55014, EN 61000

L_{PA} (lydtrykk) 102 dB(A), L_{WA} (akustisk effekt) 113 dB(A),
hånd/arm-vektet vibrasjon 1,92 m/s²

K_{PA} (lydtrykksusikkerhet) 3 dB(A),
 K_{WA} (usikkerhet i akustisk effekt) 3 dB(A)



Kevin Hewitt
Adm. dir. for forbrukerteknikk
Spennymoor, County Durham DL16 6JG,
Storbritannia
1-1-2006

- ◆ Produktet har lidd skade på grunn av fremmedlegemer, -stoffer eller ulykker;
- ◆ Reparasjoner er utført av uautorisert personell;
- ◆ Produktet på en eller annen måte er modifisert i forhold til originalspesifikasjonene;
- ◆ Det er brukt uegnet tilbehør eller uegnede tilbehørsdeler.

Den utvidete garantien gjelder ikke hvis:

- ◆ Kvittring og originalt garantibevis for utvidet garanti ikke kan legges fram.

Stikk innom våre nettsider på

www.blackanddecker.no/xt og registrer produktet ditt for den utvidete garantien (3 år) og for å bli oppdatert om nye produkter og spesialtilbud.

For å benytte deg av garantien må du kunne legge fram kvittring for selger eller autorisert serviceverksted. Du kan få adressen til ditt nærmeste autoriserte serviceverksted ved å kontakte ditt lokale Black & Decker-kontor på adressen oppgitt i denne håndboken. Du kan også finne en komplett liste over autoriserte Black & Decker-serviceverksteder og utfyllende informasjon om vår ettersalgsservice og kontaktnumre på Internett på følgende adresse: www.2helpU.com

Du finner mer informasjon om Black & Decker og produktutvalget på www.blackanddecker.no

Reservdeler / reparasjoner

Reservdeler kan kjøpes hos autoriserte Black & Decker serviceverksteder, som også gir kostnadsoverslag og reparerer våre produkter.

Oversikt over våre autoriserte serviceverksteder finnes på Internet, vår hjemmeside www.blackanddecker.no samt www.2helpU.com

Garanti

Black & Decker innestår for kvaliteten på sine produkter og tilbyr en utmerket garanti. Denne garantierklæringen kommer i tillegg til dine lovfestede rettigheter og begrensninger ikke disse på noen måte. Garantien gjelder innenfor grensene til medlemsstatene i Den europeiske union (EU) og Det europeiske frihandelsforbund (EFTA).



Hvis et Black & Decker XT-produkt (unntatt tilbehør, tilbehørsdeler, batterier, ladere og chucker) skulle bli skadet på grunn av materialfeil, produksjonsfeil eller manglende samsvar innen 3 år etter anskaffelse, garanterer Black & Decker at de vil bytte ut alle skadde deler, reparere produkter utsatt for normal slitasje eller bytte ut slike produkter, forutsatt at produktet er registrert via nettsidene til Black & Deckers XT-garanti innen 90 dager etter anskaffelse. Hvis produktet ikke er registrert, gjelder kun den ordinære garantien (2 år).

Garantien gjelder ikke hvis:

- ◆ Produktet har vært videresolgt, brukt profesjonelt eller leid ut;
- ◆ Produktet har vært utsatt for feil bruk eller mislighold;

Anvendelsesområde

Din Black & Decker sav er designet til savning af træ og træprodukter.

Værktøjet er kun beregnet til privat brug.

Generelle sikkerhedsregler

Advarsel! Læs alle instrukserne. Hvis nedenstående instrukser ikke følges, er der risiko for elektrisk stød, brand og/eller alvorlige personskader. Det benyttede begreb "el-værktøj" i nedennævnte advarsler refererer til netdrevne (med tilslutningsledning) eller batteridrevne maskiner (uden tilslutningsledning).

DISSE INSTRUKSER BØR OPBEVARES TIL SENERE BRUG.

1. Arbejdsområde

- Sørg for, at arbejdsområdet er rent og ryddeligt.**
Uordentlige og uoplyste arbejdsområder øger faren for uheld.
- Brug ikke el-værktøj i eksplosionstruede omgivelser, f.eks. hvor der er brændbare væsker, gasser eller støv.** El-værktøj kan slå gnister, der kan antænde støv eller dampe.
- Sørg for, at børn og andre personer holder sig på afstand, når el-værktøjet er i brug.** Hvis man distraheres, kan man miste kontrollen over maskinen.

2. El-sikkerhed

- El-værktøjsstik skal passe til kontakten. Stikket må under ingen omstændigheder ændres. Brug ikke adapterstik sammen med jordforbundet el-værktøj.**
Uændrede stik, der passer til kontakterne, nedsætter risikoen for elektrisk stød.
- Undgå kropskontakt med jordforbundne overflader som f.eks. rør, radiatorer, komfurer og køleskabe.**
Hvis din krop er jordforbundet, øges risikoen for elektrisk stød.
- El-værktøj må ikke udsættes for regn eller fugt.**
Indtrængen af vand i el-værktøj øger risikoen for elektrisk stød.
- Undgå at ødelægge ledningen. Undgå at bære, trække eller afbryde el-værktøjet ved at rykke i ledningen. Beskyt ledningen mod varme, olie, skarpe kanter eller maskindele, der er i bevægelse.**
Beskadigede eller indviklede ledninger øger risikoen for elektrisk stød.
- Hvis el-værktøj benyttes i det fri, skal der benyttes en forlængerledning, som er godkendt til udendørs brug.**
Brug af en forlængerledning til udendørs brug nedsætter risikoen for elektrisk stød.

3. Personlig sikkerhed

- Det er vigtigt at være opmærksom, holde øje med, hvad man laver og bruge el-værktøjet fornuftigt. Man bør ikke bruge maskinen, hvis man er træt, har nydt alkohol eller er påvirket af medicin eller euforiserende stoffer.** Få sekunders uopmærksomhed ved brug af el-værktøjet kan føre til alvorlige personskader.
 - Brug sikkerhedsudstyr. Brug altid beskyttelsesbriller.**
Brug af sikkerhedsudstyr som f.eks. støvmaske, skridsikkert fodtøj, beskyttelseshjelm eller høreværn afhængigt af maskintype og anvendelse nedsætter risikoen for personskader.
 - Undgå utilsigtet igangsætning. Sørg for, at el-værktøjets afbryder er på off, før det slutes til strømmen.** Hvis man bærer el-værktøj med fingeren på afbryderen, eller hvis man slutter værktøjet til strømmen, mens afbryderen er på on, er der risiko for ulykker.
 - Fjern indstillingsværktøj eller skruenøgle, inden el-værktøjet tændes.** Et værktøj eller en nøgle, der efterlades i en roterende del i el-værktøjet, kan resultere i personskader.
 - Overvurder ikke dig selv. Sørg for, at du altid har sikkert fodfæste og balance.** Det gør det nemmere at kontrollere el-værktøjet, hvis der skulle opstå uventede situationer.
 - Brug egnet arbejdstøj. Undgå løse beklædningsgenstande eller smykker. Hold hår, tøj og handsker væk fra dele, der bevæger sig.**
Bevægelige dele kan gribe fat i løstsiddende tøj, smykker eller langt hår.
 - Hvis støvudsugnings- og opsamlingsudstyr kan monteres, er det vigtigt, at dette tilsluttes og benyttes korrekt.** Brug af dette udstyr nedsætter risikoen for personskader som følge af støv.
- ### 4. Brug og vedligeholdelse af el-værktøj
- Undgå at overbelaste el-værktøjet. Brug altid det rette el-værktøj til opgaven.** Med det rigtige el-værktøj udføres arbejdet lettere og sikrere inden for det angivne effektområde.
 - Brug ikke el-værktøjet, hvis afbryderen er defekt.**
El-værktøj, der ikke kan kontrolleres med afbryderen, er farligt og skal repareres.
 - Træk stikket ud af stikkontakten inden indstilling, tilbehørsudskiftning eller opbevaring af el-værktøjet.**
Disse sikkerhedsforanstaltninger reducerer risikoen for utilsigtet start af værktøjet.
 - Opbevar benyttet el-værktøj uden for børns rækkevidde. Lad aldrig personer, der ikke er fortrolige med el-værktøj, eller som ikke har gennemlæst disse instrukser, benytte maskinen.**
El-værktøj er farligt, hvis det benyttes af ukundige personer.

- e. **El-værktøj bør vedligeholdes omhyggeligt. Kontroller, om bevægelige dele fungerer korrekt og ikke sidder fast, og om delene er brækket eller beskadiget, således at el-værktøjets funktion påvirkes. Få beskadigede dele repareret, inden el-værktøjet tages i brug.** Mange uheld skyldes dårligt vedligeholdt el-værktøj.
- f. **Sørg for, at skæreværktøjer er skarpe og rene.** Omhyggeligt vedligeholdt skæreværktøjer med skarpe skærekanten sætter sig ikke så hurtigt fast og er nemmere at føre.
- g. **Brug el-værktøj, tilbehør, indsatsværktøj osv. i overensstemmelse med disse instrukser, og sådan som det kræves for denne specielle værktøjstype. Tag hensyn til arbejdsforholdene og det arbejde, der skal udføres.** I tilfælde af anvendelse af el-værktøjet til formål, som ligger uden for det fastsatte anvendelsesområde, kan der opstå farlige situationer.

5. Service

- a. **Sørg for, at el-værktøjet kun reparerer af kvalificerede fagfolk, og at der kun benyttes originale reservedele.** Dermed opretholdes el-værktøjets sikkerhed.

Sikkerhedsinstruktioner til alle save

Fare:

- ◆ **Stik aldrig hånden ind i skæreområdet eller ind til savklingen. Tag fat om støttegrebet eller motorhuset med den anden hånd.** Når man holder rundsaven med begge hænder, kan man ikke komme til at skære fingrene på klingen.
- ◆ **Stik aldrig hånden ind under arbejdsemnet.** Beskyttelsesskærmen giver ingen beskyttelse mod klingen på emnets underside.
- ◆ **Indstil skæredybden til arbejdsemnets tykkelse.** Mindre end en hel savtand på klingen må være synlig under arbejdsemnet.
- ◆ **Hold aldrig et arbejdsemne i hånden eller over et knæ, når der skal saves i det. Emnet skal fikseres på et stabilt underlag.** Det er vigtigt, at emnet sættes godt fast for at minimere risikoen for, at brugeren rammer sig selv og for, at klingen sætter sig fast eller kommer ud af kontrol.
- ◆ **Hold altid kun fast på maskinen på de isolerede håndtagsskiver, når der skal saves i emner, hvor der er risiko for, at skæreværktøjet kan komme i kontakt med strømførende ledninger eller apparatets eget kabel.** Ved kontakt med strømførende ledninger vil metaldelene på maskinen være under spænding og give elektrisk stød.

- ◆ **Anvend altid et anslag eller et lige landstyr ved skæring på langs.** Det vil forbedre skærepræcisionen og reducere muligheden for, at savklingen sætter sig fast.
- ◆ **Anvend altid en savklinge i den rigtige størrelse og med det passende spændehul (f.eks. stjerneformet eller rund).** Savklinger, der ikke passer til monteringsdele på saven, vil køre ujævnt og kan nemt få maskinen til at gå ud af kontrol.
- ◆ **Anvend aldrig beskadigede eller forkerte underlagsskiver eller skruer til savklingen.** Underlagsskiver og skruer til savklinger bliver konstrueret specielt til den enkelte sav, så man opnår optimal ydelse og driftssikkerhed.

Flere sikkerhedsinstruktioner til alle save

Årsager til og undgåelse af tilbageslag (kickback):

- tilbageslag betyder en pludselig reaktion på en fastklemt, blokeret eller forkert monteret savklinge, hvilket bevirker, at den ukontrollerede sav kan løfte sig opad og ud af arbejdsemnet og blive slynget op mod brugeren;
- hvis klingen binder eller sætter sig fast i savsnittet, der lukker sig, bliver den blokeret, og motorkraften slynger maskinen tilbage mod brugeren;
- hvis savklingen drejes eller rettes forkert ind i savsnittet, kan tænderne i den bageste del af savklingen bide sig fast i arbejdsemnets overflade, og derefter vil klingen arbejde sig ud af snittet og saven blive slynget tilbage mod brugeren.

Et tilbageslag (kickback) opstår som følge af forkert brug eller misbrug af maskinen. Det kan undgås ved at tage nedenstående forholdsregler.

- ◆ **Hold fast på saven med begge hænder og hold armene på en sådan måde, at du kan opfange styrken fra et tilbageslag. Stå altid på den ene side af savklingen. Savklingen må aldrig stå på linje med kroppen.** Ved tilbageslag kan rundsaven springe bagud, men brugeren kan opfange tilbageslagskraften ved at stå rigtigt.
- ◆ **Hvis savklingen binder eller savningen skal afbrydes af en anden grund, så slip afbryderkontakten og lad saven blive siddende i emnet, indtil savklingen står helt stille. Prøv aldrig på at tage saven ud af emnet eller at trække den tilbage, så længe savklingen bevæger sig eller der er risiko for tilbageslag.** Find ud af, hvorfor savklingen har sat sig fast, og træk passende forholdsregler, så det ikke kan ske igen.

- ◆ **Når man igen vil starte en sav, som har sat sig fast i emnet, skal savklingen centreres i savsnittet, hvorefter man kontrollerer, at savtænderne ikke har sat sig fast i emnet.** Hvis savklingen binder, kan den arbejde sig ud af arbejdsemnet og forårsage tilbageslag, når man starter saven igen.
- ◆ **Store plader skal afstøttes for at mindske risikoen for tilbageslag på grund af, at savklingen sætter sig fast.** Store plader har en tendens til at bøje ned i midten på grund af deres egenvægt. Plader skal afstøttes på begge sider, både i nærheden af savsnittet og ved pladens kant.
- ◆ **Anvend aldrig en sløv eller beskadiget savklinge.** En savklinge med sløve eller forkert rettede tænder giver et smalt savsnit, der kan give for høj friktion, få klingens til at sætte sig fast og forårsage tilbageslag.
- ◆ **Skæredybden og skærevinklen skal indstilles og spændes fast, før man begynder at save.** Hvis indstillingen ændres under savningen, kan savklingen sætte sig fast og der kan opstå tilbageslag.
- ◆ **Vær især forsigtig, hvis der skal udføres et 'dyksnit' i et uoverskueligt område, f.eks. i en eksisterende væg.** Savklingen, der skal dykke ned, kan blive blokeret i skjulte genstande og give tilbageslag.

Sikkerhedsinstruktioner til save med pendulklingeafsærmning

- ◆ **Kontroller først, at den nederste beskyttelseskappe lukker korrekt, hver gang maskinen skal bruges. Anvend aldrig saven, hvis den nederste beskyttelseskappe ikke kan bevæges frit og ikke lukker sig øjeblikkeligt. Den nederste beskyttelseskappe må aldrig klemmes eller bindes fast i åbnet stilling.** Hvis saven falder ned ved et uheld, kan den nederste beskyttelseskappe blive bøjet. Åbn beskyttelseskappen med tilbagetrækshåndtaget og overbevis Dem om, at den kan bevæges frit og hverken berører savklingen eller andre dele ved alle skærevinkler og -dybder.
- ◆ **Kontroller af fjedrene til den nederste beskyttelseskappe fungerer ordentligt. Få udført service på maskinen, før den bruges igen, hvis beskyttelseskappen og fjederen ikke fungerer korrekt.** Den nederste beskyttelseskappe kan gå trægt, hvis der er beskadigede dele, klæbrige rester eller større spånaflejringer i kappen.
- ◆ **Den nederste beskyttelseskappe må kun åbnes manuelt i forbindelse med specielle snit, f.eks. 'dyk – og vinkelsnit'. Åbn den nederste beskyttelseskappe med tilbagetrækshåndtaget og slip håndtaget igen, så snart savklingen er trængt ned i arbejdsemnet.** Ved alle andre former for savning skal den nederste beskyttelseskappe fungere automatisk.

- ◆ **Læg aldrig saven fra Dem på et arbejdsbord eller på jorden, uden at den nederste beskyttelseskappe dækker savklingen.** En ubeskyttet savklinge med efterløb vil få saven til at flytte sig baglæns og vil save i altting, der kommer i vejen for den. Derfor er det vigtigt at holde øje med savens efterløbstid.

Yderligere sikkerhedsinstruktioner til alle save med spalteklinge

- ◆ **Anvend en spaltekniv, der passer til den isatte savklinge.** Spaltekniven skal være tykkere end klingens krop, men tyndere end klingens tandbredde.
- ◆ **Juster spaltekniven, som beskrevet i betjeningsvejledningen.** En forkert tykkelse, position og justering kan være grunde til, at spaltekniven ikke effektivt kan forhindre tilbageslag.
- ◆ **Anvend altid spaltekniven, undtagen ved dyksnit.** Monter spaltekniven igen efter dyksnittet. Spaltekniven er i vejen ved dyksnit og kan udløse tilbageslag.
- ◆ **For at spaltekniven skal kunne virke, skal den sidde i savsnittet.** Ved korte snit er spaltekniven uvirksom og kan ikke forhindre tilbageslag.
- ◆ **Saven må aldrig bruges, hvis spaltekniven er bøjet.** Blot en lille fejl kan få beskyttelseskappen til at lukke sig langsommere.

Yderligere sikkerhedsinstruktioner til rundsave

- ◆ Brug høreværn. Udsættelse for støj kan føre til høretab.
- ◆ Bær helst støvmaske.
- ◆ Brug ikke klinger med større eller mindre diameter end de anbefalede. Vedrørende korrekte klingespecifikationer, se de tekniske data. Brug kun klinger, der er angivet i denne håndbog, og som er i overensstemmelse med EN 847-1.
- ◆ Brug aldrig slibehjul.

El-sikkerhed



Denne maskine er dobbelt isoleret. Derfor er jordledning ikke nødvendig. Kontroller altid, at strømforsyningen svarer til spændingen på typeskiltet.

- ◆ Dette apparat er ikke beregnet til at blive betjent af unge eller uerfarne personer uden opsyn. Der skal være opsyn med børn for at sikre, at de ikke leger med maskinen.
- ◆ Hvis el-ledningen er skadet, skal den udskiftes af producenten eller et autoriseret Black & Decker servicecenter for at undgå ulykker.

Oversigt

1. Afbryder
2. Låseknop
3. Hovedhåndtag

4. Støtkehåndtag
5. Spindellåseknop
6. Sko
7. Klinge
8. Beskyttelsesskærm til savklinge
9. Spaltekniv
10. Parallelanlæg
11. Laserenhed
12. Klingskruenøgle
13. Støvudsugningsudgang

Samling

Advarsel! Før samling, vær sikker på at maskinen er slukket og stikket er trukket ud af savklingen er stoppet.

Demontering og montering af en savklinge (fig. A)

Afmontering

- ◆ Hold spindellåseknappen (5) presset og rotere klingens indtil spindellåseknappen kobles til.
- ◆ Løsn og fjern klingens fastholdelsesskrue (14) ved at skrue den mod uret ved hjælp af skruenøglen (12), der leveres med værktøjet.
- ◆ Fjern den udvendige spændeskive (15).
- ◆ Fjern savklingen (7).

Montering

- ◆ Sæt savklingen på den indvendige spændeskive (16), idet du sørger for, at pilen på klingens peger i samme retning som pilen på værktøjet.
- ◆ Sæt den udvendige spændeskive (15) på spindelen med den løftede del pegende væk fra savklingen.
- ◆ Indsæt klingens fastholdelsesskrue (14) i hullet.
- ◆ Hold spindellåseknappen (5) presset ind.
- ◆ Stram klingens fastholdelsesskrue godt ved at skrue den med uret ved hjælp af skruenøglen (12), der leveres med værktøjet.
- ◆ Justér spaltekniven som beskrevet nedenfor.

Justering af spaltekniven (fig. B)

Spaltekniven forhindrer savklingen i at blokere under kløvningsoperationer. Spaltekniven skal justeres efter udskiftning af savklingen.

- ◆ Løsn skruerne (17) ved hjælp af skruenøglen (12), med spaltekniven holdes på plads. Du vil være nødt til at reducere dybden af savningen for at opnå adgang til skruerne.
- ◆ Placér spaltekniven (9) som vist.
- ◆ Afstanden mellem tandremmen og spaltekniven skal være 2-3 mm.
- ◆ Højdeforskellen mellem tandremmen og underkanten af spaltekniven skal være 2-3 mm.
- ◆ Stram skruerne.

Montering og demontering af parallelanlægget (fig. C)

- ◆ Parallelanlægget bruges til savning i en ret linje parallelt med kanten af emnet.

Montering

- ◆ Løsn låseknappen (18).
- ◆ Sæt parallelanlægget (10) gennem åbningerne (19).
- ◆ Skub parallelanlægget til den ønskede position.
- ◆ Stram låseknappen.

Afmontering

- ◆ Løsn låseknappen.
- ◆ Træk parallelanlægget ud af værktøjet.

Anvendelse

Advarsel! Lad værktøjet arbejde i dets eget tempo. Det må ikke overbelastes.

Dette værktøj kan betjenes med både højre og venstre hånd.

Justering af klingens vinkel (fig. D)

Default vinklen mellem savklingen og bremseskoen er 90°.

- ◆ Anvend en vinkel mål for at checke at vinklen mellem savklingen og bremseskoen er 90°. Hvis vinklen ikke måler 90° juster som følgende:
- ◆ Løsn låseknappen (20) for at låse savskoens op.
- ◆ Skrue justeringsskruen (21) ind eller out for at opnå en vinkel på 90°.
- ◆ Stram låseknappen for at låse savskoens på plads.

Justering af skæredybden (fig. E)

Skæredybden skal indstilles i overensstemmelse med emnets tykkelse. Den skal overstige tykkelsen med ca. 2 mm.

- ◆ Løsn håndtaget (22) for at låse savskoens op.
- ◆ Flyt savskoens (6) til den ønskede position. Den tilsvarende skæredybde kan aflæses på skalaen (23).
- ◆ Stram håndtaget for at låse savskoens på denne placering.

Justering af den smigvinkel (fig. F)

Dette værktøj kan indstilles til en skæv vinkel mellem 0° og 45°.

- ◆ Løsn låseknappen (20) for at låse savskoens op.
- ◆ Flyt savskoens (6) til den ønskede position. Den tilsvarende smigvinkel kan aflæses på skalaen (24).
- ◆ Stram låseknappen for at låse savskoens på plads.

Start og stop

- ◆ Tænd værktøjet ved at sætte låseknappen (2) i ulåst stilling og samtidig trykke på afbryderen (1).
- ◆ Sluk for værktøjet ved at slippe afbryderen.

Savning

Hold altid værktøjet med begge hænder.

- ◆ Lad klingen køre frit i et par sekunder, før savningen indledes.
- ◆ Tryk kun ganske let på værktøjet under savningen.
- ◆ Arbejd med skoen trykket mod arbejdsemnet.

Gode råd til optimalt brug

- ◆ Da en vis splintring langs med skærelinjen på oversiden af emnet er uundgåelig, kan det tilrådes at save fra den side, hvor splintringen er acceptabel.
- ◆ Hvis splintringen skal være minimal, f.eks. ved savning af laminater, kan man klemme et stykke krydsfiner fast oven på emnet.

Anvendelse af en sigteguide (fig. G)

Værktøjet er udstyret med en sigteguide for en lige savning (25) og for 45° gering savning (26).

- ◆ Justering af sigteguiden som beskrevet herunder.
- ◆ Justér den venstre kant af styrene (23) eller (26) efter skærelinien (25).
- ◆ Hold sigteguiden lige med savelinien under savning.
- ◆ Arbejd med skoen trykket mod arbejdsemnet.

Justering af sigteguiden

- ◆ Foretag en test savning halvejs gennem et stykke af resttræet.
- ◆ Træk saven væk, så skærelinien (27) bliver synlig.
- ◆ Mens saven holdes i denne position, løsnes sigteguiden på savskoen som vist.
- ◆ Justér 0°-markeringen (25) på sigteguiden efter skærelinien (27). Ved justering af 45°-geringsnit justeres 45°-markeringen (26) på sigteguiden efter skærelinien.
- ◆ Fastgør sigteguide ved hjælp af skruer (28).

Sådan anvendes laseren (fig H.)

Set direkte ovenover saven, kan skærelinien let følges. Er dette udsyn spærret på nogen måde, kan laseren anvendes som en alternativ skæreguide.

Før installation af laserenheden, skal forfoden (29) altid trækkes tilbage.

- ◆ Placer enheden på sigteguiden.
- ◆ Skub bagfoden (30) ind i de tilhørende huller (31).
- ◆ Placer saven oven på skærelinien.
- ◆ Tænd laseren.

Check også manualen for laserenheden.

Støvdvindingen (fig. I)

Støvdvindingens udgang tillader, at du forbinder en støvsuger til værktøjet.

- ◆ Forbind slangen (11) til støvsugeren til udgangen (13)

Vedligeholdelse

Værktøjet er beregnet til at være i drift gennem en længere periode med minimal vedligeholdelse. Fortsat tilfredsstillende drift afhænger af korrekt behandling af værktøjet samt regelmæssig rengøring.

Advarsel! Før udførelse af vedligeholdelsesarbejde skal værktøjet slukkes og tages ud af stikkontakten.

- ◆ Man skal regelmæssigt rengøre værktøjets ventilationshuller med en blød børste eller en tør klud.
- ◆ Man skal regelmæssigt gøre motorhuset rent med en fugtig klud. Man må ikke bruge slibemidler eller opløsningsmidler.

Beskyttelse af miljøet



Separat indsamling. Dette produkt må ikke bortskaffes sammen med almindeligt husholdningsaffald.

Hvis du en dag skal udskifte dit Black & Decker produkt, eller hvis du ikke skal bruge det længere, må du ikke bortskaffe det sammen med husholdningsaffald. Dette produkt skal være tilgængeligt for separat indsamling.



Separat indsamling af brugte produkter og emballage gør det muligt at genbruge materialer. Genbrugte materialer forebygger miljøforurening og nedbringer behovet for råstoffer.

Lokale regler kan give mulighed for separat indsamling af elektriske husholdningsprodukter på kommunale lossepladser eller hos den forhandler, som du købte produktet af.

Black & Decker har en facilitet til indsamling og genbrug af Black & Decker-produkter, når deres levetid er slut. Få fordelene ved denne service ved at returnere produktet til en autoriseret tekniker, der samler værktøj sammen på vores vegne.

Du kan få oplyst den nærmeste autoriserede tekniker ved at kontakte det lokale Black & Decker-kontor på den adresse, der er angivet i denne brugsanvisning. Alternativt findes der en liste over autoriserede Black & Decker-teknikere og oplysninger om vores eftersalgsservice og kontaktpersoner på Internettet på adressen: www.2helpU.com

Tekniske data

	XTS1660
Spænding	V _{AC} 230
Motoreffekt	W 1.600
Ubelastet hastighed	min ⁻¹ 5.000
Maks. skæredybde	mm 65
Klangediameter	mm 190

Klingeboring	mm	16
Knivspidsbredde	mm	2,2
Vægt	kg	5,8

EU overensstemmelseserklæring

XTS1660

Black & Decker erklærer, at disse produkter er i overensstemmelse med følgende:

98/37/EØF, 89/336/EØF, EN 60745, EN 55014, EN 61000

L_{pA} (lydtryk) 102 dB(A), L_{WA} (lydintensitet) 113 dB(A),
hånd/arm vægтет vibration 1,92 m/s²

K_{pA} (lydtryk usikkerhed) 3 dB(A),
 K_{WA} (lydintensitet usikkerhed) 3 dB(A)



Kevin Hewitt
Director of Consumer Engineering
Spennymoor, County Durham DL16 6JG,
Storbritannien
1-1-2006

Reserve dele / reparationer

Reserve dele kan købes hos autoriserede Black & Decker serviceværksteder, som giver forslag til omkostninger og reparerer vore produkter. Oversigt over vore autoriserede værksteder findes på internettet på vor hjemmeside www.blackanddecker.dk samt www.2helpU.com

Garanti

Black & Decker har tillid til sine produkters kvalitet og tilbyder derfor en fortrinlig garanti. Denne garantierklæring er et supplement til forbrugernes lovlige rettigheder og påvirker ikke disse rettigheder. Garantien gælder inden for Den Europæiske Unions medlemsstater og EFTA-landene.



Hvis et Black & Decker XT produkt (dette gælder ikke for tilbehør, udstyr, batterier, opladere og patroner) bliver defekt på grund af fejlbehæftede materialer eller forkert håndværk, eller ikke opfylder bestemmelserne i loven inden 3 år efter datoen for købet, yder Black & Decker garanti for udskiftning af alle defekte dele og reparation af produkter, der har været udsat for rimelig slitage, eller udskiftning af sådanne produkter, såfremt produktet er registreret på Black & Decker XT garanti- websitet inden 90 dage efter købet. Hvis produktet ikke er registreret, gælder kun standardgarantien (2 år).

Garantien finder ikke anvendelse, hvis:

- ◆ Produktet er blevet brugt til handel, erhverv eller udlejning;
- ◆ Produktet er blevet misbrugt eller forsømt;
- ◆ Produktet har fået skader, der skyldes fremmedelementer, kemikalier eller ulykker;
- ◆ Der er udført reparationer af folk uden autorisation.
- ◆ Produktet er blevet ændret fra de oprindelige specifikationer;
- ◆ Der er brugt upassende tilbehør eller udstyr.

Den udvidede garanti finder ikke anvendelse, hvis:

- ◆ Bevis for købet samt det originale bevis for den udvidede garanti ikke forevises.

Registrer dit produkt online nu på

www.blackanddecker.dk/xt for at blive berettiget til den udvidede garanti (3 år) og blive holdt løbende informeret om nye produkter og særtilbud.

For at udnytte garantien skal bevis for købet indleveres til forhandleren eller til et autoriseret værksted. Du kan få oplyst den nærmeste autoriserede teknikers adresse ved at kontakte det lokale Black & Decker-kontor på den adresse, der er angivet i denne brugsanvisning. Alternativt findes der en liste over autoriserede Black & Decker-teknikere samt oplysninger om vores eftersalgsservice og kontaktpersoner på Internettet på adressen: www.2helpU.com

Der findes yderligere oplysninger om mærket Black & Decker og vores produktsortiment på adressen www.blackanddecker.dk

Käyttötarkoitus

Black & Deckerin saha on suunniteltu puun ja puutuotteiden sahaamiseen.

Kone on tarkoitettu kotikäyttöön.

Yleiset turvallisuutta koskevat säännöt

Varoitus! Kaikki ohjeet täytyy lukea. Alla olevien ohjeiden noudattamisen laiminlyönti saattaa johtaa sähköiskuun, tulipaloon ja/tai vakavaan loukkaantumiseen. Seuraavassa käytetty käsite ”sähkötyökalu” käsittää verkkokäyttöisiä sähkötyökaluja (verkkojohdolla) ja akkukäyttöisiä sähkötyökaluja (ilman verkkojohtoa).

SÄILYTÄ NÄMÄ OHJEET HYVIN.

1. Työalue

a. Pidä työskentelyalue puhtaana ja hyvin valaistuna.

Työpaikan epäjärjestys ja valaisemattomat työalueet voivat johtaa tapaturmiin.

b. Älä työskentele sähkötyökalulla räjähdysalttiissa ympäristössä, jossa on palavaa nestettä, kaasua tai pölyä.

Sähkötyökalu muodostaa kipinöitä, jotka saattavat sytyttää pölyn tai höyryt.

c. Pidä lapset ja sivulliset loitolla sähkötyökalua käyttäessäsi.

Voit menettää laitteesi hallinnan, huomiosi suuntautuessa muualle.

2. Sähköturvallisuus

a. Sähkötyökalun pistotulpan tulee sopia pistorasiaan. Pistotulppaa ei saa muuttaa millään tavalla. Älä käytä mitään pistorasia-adaptoreita maadoitettujen sähkötyökalujen kanssa.

Alkuperäisessä kunnossa olevat pistotulpat ja sopivat pistorasiat vähentävät sähköiskun vaaraa.

b. Vältä koskettamasta maadoitettuja pintoja, kuten putkia, pattereita, liesiä tai jääkaappeja.

Sähköiskun vaara kasvaa, jos kehosi on maadoitettu.

c. Älä altista sähkötyökalua sateelle tai kosteudelle.

Veden tunkeutuminen sähkötyökalun sisään kasvattaa sähköiskun riskiä.

d. Älä käytä verkkojohtoa väärin. Älä käytä sitä sähkötyökalun kantamiseen, vetämiseen tai pistotulpan irrottamiseen pistorasiasta. Pidä johto loitolla kuumuudesta, öljystä, terävistä reunoista ja liikkuvista osista.

Vahingoittuneet tai soikeutuneet johdot kasvattavat sähköiskun vaaraa.

e. Käyttäessäsi sähkötyökalua ulkona, käytä ainoastaan ulkokäyttöön soveltuvaa jatkojohtoa.

Ulkokäyttöön soveltuvan jatkojohdon käyttö pienentää sähköiskun vaaraa.

3. Henkilöturvallisuus

a. Ole valpas, kiinnitä huomiota työskentelyysi ja noudata tervettä järkeä sähkötyökalua käyttäessäsi.

Älä käytä sähkötyökalua, jos olet väsynyt tai huumeiden, alkoholin tahi lääkkeiden vaikutuksen alaisena. Hetken tarkkaamattomuus sähkötyökalua käytettäessä saattaa johtaa vakavaan loukkaantumiseen.

- b. Käytä suojavarusteita. Käytä aina suoja-laseja.** Suojavarusteet, kuten pölynsuojanaamari, luistamattomat turvajalkineet, kypärä ja kuulosuojaimet pienentävät, tilanteen mukaan oikein käytettynä, loukkaantumisen riskiä.
- c. Vältä sähkötyökalun tahatonta käynnistämistä. Varmista, että kytkin on off-asennossa ennen kytkenään tekemistä.** Onnettomuusvaara lisääntyy, jos kannat sähkötyökalua sormi käyttökytkimellä tai kytket työkalun virtajohdon pistorasiaan, kun käyttökytkin on päällä.
- d. Poista kaikki säätötyökalut ja ruuvitaltat, ennen kuin käynnistät sähkötyökalun.** Työkalu tai avain, joka sijaitsee laitteen pyörivässä osassa, saattaa johtaa loukkaantumiseen.
- e. Älä kurkota. Seiso aina tukevasti ja tasapainossa.** Täten voit paremmin hallita sähkötyökalua odottamattomissa tilanteissa.
- f. Käytä tarkoitukseen soveltuvia vaatteita. Älä käytä löysiä työvaatteita tai koruja. Pidä hiukset, vaatteet ja käsineet loitolla liikkuvista osista.** Väljät vaatteet, korut ja pitkät hiukset voivat takertua liikkuviin osiin.
- g. Jos pölynimu- ja keräilylaitteita voidaan asentaa työkaluun, sinun pitää tarkistaa, että ne on liitetty ja että niitä käytetään oikealla tavalla.** Näiden laitteiden käyttö vähentää pölyn aiheuttamia vaaroja.
- 4. Sähkötyökalujen käyttö ja hoito**
- a. Älä ylikuormita laitetta. Käytä kyseiseen työhön tarkoitettua sähkötyökalua.** Sopivaa sähkötyökalua käyttäen työskentelet paremmin ja varmemmin tehoalueella, jolle sähkötyökalu on tarkoitettu.
- b. Älä käytä sähkötyökalua, jota ei voida käynnistää ja pysäyttää virtakytkimestä.** Sähkötyökalu, jota ei enää voida käynnistää ja pysäyttää käynnistyskytkimellä, on vaarallinen ja se täytyy korjata.
- c. Irrota pistotulppa pistorasiasta, ennen kuin suoritat säätöjä, vaihdat tarvikkeita tai siirrä sähkötyökalun varastoitavaksi.** Nämä turvatoimenpiteet pienentävät sähkötyökalun tahattoman käynnistysriskin.
- d. Säilytä sähkötyökalut poissa lasten ulottuvilta, kun niitä ei käytetä. Älä anna sellaisten henkilöiden käyttää sähkötyökalua, jotka eivät tunne sitä tai jotka eivät ole lukeneet tätä käyttöohjetta.** Sähkötyökalut ovat vaarallisia, jos niitä käyttävät kokemattomat henkilöt.

- e. **Hoida sähkötyökalusi huolella. Tarkista, että liikkuvat osat toimivat moitteettomasti, eivätkä ole puristuksessa ja että työkalussa ei ole murtuneita tai vahingoittuneita osia, jotka saattaisivat vaikuttaa haitallisesti sen toimintaan. Korjautattaa mahdolliset viat ennen käyttöönottoa.** Moni tapaturma aiheutuu huonosti huolletuista laitteista.
- f. **Pidä leikkausterät terävinä ja puhtaina.** Huolellisesti hoidetut leikkaustyökalut, joiden leikkausreunat ovat teräviä, eivät tartu helposti kiinni ja niitä on helpompi hallita.
- g. **Käytä sähkötyökaluja, tarvikkeita, vaihtotyökaluja jne. näiden ohjeiden mukaisesti ja tavalla, joka on tarkoitettu erityisesti kyseiselle sähkötyökalulle. Ota tällöin huomioon työolosuhteet ja suoritettava toimenpide.** Sähkötyökalun käyttö muuhun kuin sille määrättyyn käyttöön, saattaa johtaa vaarallisiin tilanteisiin.

5. Huolto

- a. **Anna koulutettujen ammattitaitoisten henkilöiden korjata sähkötyökalusi ja hyväksy korjauksiin vain alkuperäisiä varaosia.** Täten varmistat, että sähkötyökalu säilyy turvallisena.

Turvaohjeet kaikille sahoille

Vaara:

- ◆ **Pidä kädet loitolla leikkausalueesta ja terästä. Pidä toinen käsi ylimääräisellä kahvalla tai moottorin kotelolla.** Jos molemmat kädet pitävät sahasta kiinni, terä ei pääse leikkaamaan käsiä.
- ◆ **Älä kurota työkappaleen alapuolelle.** Suojus ei voi suojata sinua terältä työkappaleen alapuolella.
- ◆ **Säädi leikkaussyvyys työkappaleen paksuutta vastaavaksi.** Työkappaleen alapuolella tulee näkyä alle puolet terän hampaasta.
- ◆ **Älä koskaan pidä leikattavaa kappaletta kädessä tai jalkojen päällä. Kiinnitä työkappale tukevaan alustaan.** Työskentelyn riittävä tukeminen on tärkeää jotta välttyään kehon joutuminen vaaraan, terän jumiuminen tai hallinnan menetys.
- ◆ **Käsittele sähkötyökalua eristävien tartuntapintojen avulla kun teet työtä jossa työkalu voi joutua kosketuksiin piilossa olevien sähköjohtojen tai oman virtajohtonsa kanssa.** Kosketus jännitteisen johtimen kanssa tekee myös työkalun paljaista metalliosista jännitteisiä ja aiheuttaa sähköiskun käyttäjälle.
- ◆ **Käytä aina halkaisusahasvastetta tai suoraa reunaohjainta halkaisusahauksessa.** Tämä parantaa leikkauksen tarkkuutta ja vähentää terän jumiumisen vaaraa.

- ◆ **Käytä aina teriä joissa on oikean kokoinen ja muotoinen (timanti / pyöreä) kiinnitysreikä.** Terät jotka eivät sovi sahan kiinnitykseen pyörivät epäkeskisesti ja aiheuttavat sahan hallinnan menetyksen.
- ◆ **Älä koskaan käytä viituneita tai vääranlaisia aluslevyjä tai pultteja terässä.** Terän aluslevyt ja pultit on suunniteltu erikseen tätä sahaa varten optimaalisen tehokkuuden ja turvallisuuden takaamiseksi.

Lisäturvaohjeet kaikille sahoille

Takapotkun syyt ja kuinka käyttäjä voi estää sen:

- Takapotku syntyy kun terä jumiuu tai menee vinoon ja se aiheuttaa sahan äkillisen hallitsemattoman liikkeen ylös ja pois päin työkappaleesta kohti käyttäjää.
- Kun terä joutuu puristuksiin tai jumiuu leikkausuran sulkeutuessa, terä pysähtyy ja moottorin liike työntää sahaa nopeasti taaksepäin kohti käyttäjää.
- Jos terä vääntyy tai menee väärään asentoon leikkauksessa, terän takareunan hampaat voivat tarttua puun yläpintaan ja saavat terän nousemaan pois urasta ja hyppäämään taaksepäin kohti käyttäjää.

Takapotku on seurausta sahan väärinkäytöstä ja/tai vääristä käyttötavoista tai -ympäristöstä ja se voidaan välttää noudattamalla alla kuvattuja varotoimia.

- ◆ **Ota tukeva ote sahasta molemmin käsin ja pidä kädet asennossa joka vastustaa takapotkuvoimia. Sijoita vartaloasi terän jommallekummalle puolelle mutta ei suoraan samalle linjalle terän kanssa.** Takapotku voi saada sahan hyppäämään taaksepäin mutta käyttäjä voi hallita takapotkuvoimia jos asiaankuuluvia varotoimia noudatetaan.
- ◆ **Jos terä on jumiumumassa tai jos sahaaminen keskeytetään mistä tahansa syystä, päästä irti liipaisimelta ja älä liikuta sahaa työkappaleessa kunnes terä on kokonaan pysähtynyt. Älä koskaan irrota sahaa työkappaleesta tai vedä sitä takaisin päin kun terä on liikkeessä jotta takapotkua ei syntyisi.** Selvitä terän jumiumumisen johtanut syy ja poista se.
- ◆ **Kun käynnistät sahan uudelleen työkappaleessa, sijoita sahan terä leikkausuran keskelle ja tarkista että hampaat eivät ole pureutuneet kappaleeseen.** Jos sahan terä on jumiumunut, se voi nousta irti työkappaleesta tai aiheuttaa takapotkun sahaa käynnistettäessä.
- ◆ **Kannattele suuria paneeleita terän jumiumumisen ja takapotkun riskin minimoimiseksi.** Suuret paneelin taipuvat usein notkolle omasta painostaan. Paneelin alapuolelle tulee sijoittaa tuet molemmille puolille lähelle leikkaukskohtaa ja paneelin reuna.

- ♦ **Älä käytä tylsiä tai vioittuneita teriä.** Teroittamattomat tai väärin asetetut terät synnyttävät kapean leikkausuran joka aiheuttaa ylimääräistä kitkaa, terän jumiumistusta ja takapotkua.
- ♦ **Terän syvyyden ja vinokulman säädön lukitusvipujen täytyy olla hyvin suljettuja ennen sahausta.** Jos terän säädöt liikkuvat sahausken aikana, voi tapahtua jumiumistuksia tai takapotkua.
- ♦ **Ole erityisen varovainen jos teet ”sukelluksen” paikoillaan olevaan seinään tai muuhun tuntemattomaan paikkaan.** Ulostyöntävä sahanterä voi leikata esineitä jotka aiheuttavat takapotkun.

Turvaohjeet sahoihin joissa on heiluriteränsuojus.

- ♦ **Tarkista alasuojuksen oikea sulkeutuminen ennen jokaista käyttöä. Älä käytä sahaa jos alasuojus ei liiku vapaasti tai jos se ei sulkeudu välittömästi. Älä koskaan purista tai sido alasuojusta avoimeen asentoon.** Jos saha tippuu vahingossa, alasuojus saattaa taipua. Nosta alasuojusta kahvasta ja tarkista että se liikkuu vapaasti eikä kosketa terää tai muuta osaa kaikissa leikkaussuunnissa ja syvyyksissä.
- ♦ **Tarkista alasuojuksen jousen toiminta. Jos suojus tai jousi eivät toimi oikein, ne tulee huoltaa ennen käyttöä.** Alasuojus voi toimia verkkaisesti jos osat ovat vioittuneet tai jos siihen on tarttunut tahmeita aineita tai roskaa.
- ♦ **Alasuojusta tulee vetää käsin vain jos ollaan tekemässä ”sukellus” tai ”yhdistettyjä” sahausksia.** Nosta alasuojusta kahvasta ja heti kun terä koskettaa työstettävää materiaalia siitä on päästettävä irti. Kaikissa muissa sahausksissa alasuojuksen tulee toimia automaattisesti.
- ♦ **Varmista aina että alasuojus peittää terän ennen kuin lasket sen penkille tai lattialle. Suojaamaton, liukuva terä saa sahan liikkumaan taaksepäin ja leikkaamaan mitä tahansa sen eteen tulee.** Ota huomioon terän pysähtymiseen tarvittava aika sen jälkeen kun kytkimestä on päästetty irti.

Lisäturvaohjeet kaikille sahoille joissa on suojakiila

- ♦ **Käytä käytettävään terään sopivaa suojakiilaa.** Jotta suojakiila toimisi, sen tulee olla paksumpi kuin terän runko mutta kapeampi kuin terän hampaat.
- ♦ **Säädä suojakiilaa tämän käyttöoppaan ohjeiden mukaisesti.** Suojakiilaan virheellinen sijoittelu ja kohdistus voi estää sen toiminnan takapotkun estämiseksi.
- ♦ **Käytä aina suojakiilaa paitsi ”sukellus” sahausksessa.** Suojakiila tulee laittaa takaisin paikoilleen ”sukellus” sahausken jälkeen. Suojakiilaa häiritsee ”sukellus” sahausta ja voi aiheuttaa takapotkun.

- ♦ **Jotta suojakiila toimisi, sen tulee olla kiinni työkappaleessa.** Suojakiila ei kykene estämään takapotkua lyhyiden sahausten aikana.
- ♦ **Älä käytä sahaa jos suojakiila on taipunut.** Pienikin häiriö voi hidastaa suojan sulkeutumisnopeutta.

Lisäturvaohjeet pyörösahoille

- ♦ Käytä kuulosuojaimia. Altistuminen melulle voi aiheuttaa kuulovaurioita.
- ♦ Pölysuojaimen käyttö on suositeltavaa.
- ♦ Älä käytä teriä joiden halkaisija on suurempi kuin suositus. Katso terien ohjeavrot teknisistä tiedoista. Käytä vain tässä oppaassa kuvattuja teriä jotka ovat EN 847-1:n mukaisia.
- ♦ Älä koskaan käytä hiovia katkaisuteriä.

Sähköturvallisuus



Tämä laite on kaksoiseristetty; siksi erillistä maadoitusta ei tarvita. Tarkista aina, että virtalähde vastaa arvokilvessä ilmoitettua jännitettä.

- ♦ Tätä laitetta ei ole tarkoitettu nuorten henkilöiden käyttöön tai vajaavaltaisten henkilöiden käyttöön ilman valvontaa. Lapsia on valvottava, etteivät he leiki koneen kanssa.
- ♦ Jos sähköjohto on vaurioitunut, sen saa vaihtaa vain valtuutetussa Black & Deckerin huoltoliikkeessä vaaratilanteiden välttämiseksi.

Yleiskatsaus

1. Virrankatkaisija
2. Lukitusnappi
3. Pääkädensija
4. Lisäkädensija
5. Karalukon painike
6. Sahausjalka
7. Terä
8. Sahanterän suoja
9. Jakoveitsi
10. Sivuhujain
11. Laseryksikkö
12. Sahanterän kiintoavain
13. Pölynpoistoliitäntä

Kokoaminen

Varoitus! Varmista ennen kokoamista, että kone on pois päältä eikä sitä ole liitetty virtalähteeseen. Varmista lisäksi, että sahanterä on pysähtynyt.

Sahanterän poisto ja kiinnitys (kuva A)

Irrotus

- ◆ Pidä karan lukitsinpainiketta (5) painettuna ja kierrä terää, kunnes karalukko lukkiutuu.
- ◆ Löysää ja irrota terän kiinnitysruuvi (14) kiertämällä sitä vastapäivään koneen mukana toimitetulla avaimella (12).
- ◆ Poista ulompi aluslaatta (15).
- ◆ Irrota sahanterä (7).

Kiinnitys

- ◆ Aseta sahanterä sisemmän lipan (16) päälle ja tarkista, että terässä oleva nuoli osoittaa samaan suuntaan kuin koneessa oleva nuoli.
- ◆ Kiinnitä ulompi aluslaatta (15) karaan siten, että korotettu puoli on poispäin sahanterästä.
- ◆ Aseta terän kiinnitysruuvi (14) reikään.
- ◆ Pidä karalukkopainiketta (5) painettuna.
- ◆ Kiristä terän kiinnitysruuvi kunnolla kiertämällä sitä myötäpäivään koneen mukana toimitetulla avaimella (12).
- ◆ Säädä jakoveitsi alla kuvatulla tavalla.

Jakoveitsen säätäminen (kuva B)

Jakoveitsi estää sahanterän jumiuutumisen halkaisusahauksessa.

Jakoveitsi on säädettävä terän vaihdon jälkeen.

- ◆ Löysää ruuveja (17) kiintoavaimella (12) samalla kun pidät jakoveitsea asennossa. Sahaussyvyyttä on pienennettävä, jotta ruuveihin päästään käsiksi.
- ◆ Aseta jakoveitsi (9) kuvassa näkyvällä tavalla.
- ◆ Hampaan ja jakoveitsen välisen etäisyyden tulee olla 2-3 mm.
- ◆ Hampaan ja jakoveitsen alemman pään välisen korkeuseron pitää olla 2-3 mm.
- ◆ Kiristä ruuvit.

Sivuohjaimen kiinnitys ja poisto (kuva C)

- ◆ Sivuo hjainta käytetään haluttaessa sahata suoraan työstökappaleen reunan mukaisesti.

Kiinnitys

- ◆ Löysää lukitusnuppia (18).
- ◆ Työnnä sivuo hjain (10) aukkojen (19) läpi.
- ◆ Laita sivuo hjain haluamaasi kohtaan.
- ◆ Kiristä lukitusnuppi.

Irrotus

- ◆ Löysää lukitusnuppia.
- ◆ Vedä sivuo hjain ulos koneesta.

Käyttö

Varoitus! Anna koneen käydä omaan tahtiinsa.

Älä ylikuormita sitä.

Tätä konetta voidaan käyttää oikealla tai vasemmalla kädellä.

Teräkulman säätäminen (kuva D)

Sahanterän ja sahausjalan välinen oletuskulma on 90°.

- ◆ Käytä kolmioviivainta tarkistamaan, että sahanterän ja sahausjalan välinen kulma on 90°. Ellei kulma ole 90°, säädä sitä seuraavasti:
- ◆ Löysää lukitusnuppia (20) avataksesi sahausjalan.
- ◆ Ruuvaa säätöruuvia (21) sisään tai ulos 90° kulman aikaansaamiseksi.
- ◆ Kiristä lukitusnuppia lukitaksesi sahausjalan paikalleen.

Sahaussyvyyden säätö (kuva E)

Sahaussyvyys säädetään työstökappaleen paksuuden mukaisesti. Syvyyden tulee olla noin 2 mm enemmän kuin kappaleen paksuus.

- ◆ Löysää vipua (22) avataksesi sahausjalan.
- ◆ Siirrä sahausjalka (6) haluamaasi asentoon. Vastaava sahaussyvyys voidaan lukea asteikosta (23).
- ◆ Kiristä vipua lukitaksesi sahausjalan paikalleen.

Vinosahauskulman säätäminen (kuva F)

Tämän koneen vinosahauskulma voidaan säätää välille 0° - 45°.

- ◆ Löysää lukitusnuppia (20) avataksesi sahausjalan.
- ◆ Siirrä sahausjalka (6) haluamaasi asentoon. Vastaava vinosahauskulma voidaan lukea asteikosta (24).
- ◆ Kiristä lukitusnuppia lukitaksesi sahausjalan paikalleen.

Käynnistys ja pysäytys

- ◆ Käynnistä kone painamalla lukitusnuppi (2) avausasentoon ja paina virrankatkaisijaa (1).
- ◆ Sammuta saha vapauttamalla virtakytkin.

Sahaus

Pidä koneesta aina kiinni kahdella kädellä.

- ◆ Anna terän pyöriä vapaasti muutaman sekunnin ajan ennen kuin aloitat sahaamisen.
- ◆ Paina työkalua vain kevyesti, kun sahaat.
- ◆ Paina sahausjalkaa työkalua vasten sahaamisen yhteydessä.

Vinkkejä parhaimman tuloksen saamiseksi

- ◆ Työstökappale voi lohkeilla sahattaessa. Sahaa siksi työstökappale se puoli päällimmäisenä, joka saa lohkeilla.
- ◆ Jos lohkeilun pitää olla mahdollisimman vähäistä, esim. sahattaessa laminaattia, kiinnitä pala vaneria työstökappaleen päälle.

Näköohjaimen käyttäminen (kuva G)

Kone on varustettu näköohjaimella suoraan sahausta (25) ja 45° jiirisahausta varten (26).

- ◆ Säädä näköohjain (15) alla kuvatulla tavalla.

- ◆ Kohdista ohjaimen (25) tai (26) vasen reuna sahauslinjaan (27).
- ◆ Sahatessasi pidä näköohjain (15) sahauslinjassa.
- ◆ Paina sahausjalkaa työkappaletta vasten sahaamisen yhteydessä.

Kun Black & Decker -koneesi on käytetty loppuun, älä hävitä sitä kotitalousjätteen mukana. Tämä tuote on kerätävä erikseen.



Käytettyjen tuotteiden ja pakkausten erillinen keräys mahdollistaa materiaalien kierrätyksen ja uudelleenkäytön. Kierrätettyjen materiaalien uudelleenkäyttö auttaa ehkäisemään ympäristön saastumisen ja vähentää raaka-aineiden kysyntää.

Paikallisten säännösten mukaisesti on mahdollista viedä kotitalouksien sähkölaitteet kuntien kaatopaikoille tai jättää ne vähittäismyyjälle ostettaessa uusi tuote.

Black & Decker tarjoaa mahdollisuuden Black & Decker – tuotteiden keräykseen ja kierrätykseen sen jälkeen, kun ne on poistettu käytöstä. Jotta voisit hyötyä tästä palvelusta, palauta laitteesi johonkin valtuutettuun huoltoliikkeeseen, joka kerää laitteet meidän puolestamme.

Voit tarkistaa lähimmän valtuutetun huoltoliikkeen sijainnin ottamalla yhteyden Black & Deckerin toimistoon, joka sijaitsee tässä käsikirjassa annetussa osoitteessa. Lista valtuutetuista Black & Decker -huoltoliikkeistä sekä yksityiskohtaiset tiedot korjauspalvelustamme ovat vaihtoehtoisesti saatavilla Internetissä, osoitteessa www.2helpU.com

Tekniset tiedot

	XTS1660	
Jännite	V _{AC}	230
Ottoteho	W	1.600
Kuormittamaton nopeus	min ⁻¹	5.000
Suurin sahausyvyys	mm	65
Sahanterän halkaisija	mm	190
Terän sisäläpimitta	mm	16
Terän hampaan leveys	mm	2,2
Paino	kg	5,8

Näköohjaimen säätäminen

- ◆ Suorita testisahaus sahaamalla jätepuun palasen puoleenväliin asti.
- ◆ Vedä saha pois, niin että sahauslinja (27) tulee näkyviin.
- ◆ Pidä saha tässä asennossa, löysennä näköohjainta sahausjalasta kuvan mukaisesti.
- ◆ Kohdistä näköohjaimen 0°-merkki sahauslinjan (27) kanssa. Kun säädät 45° jiirisahausta varten, kohdistä näköohjaimen 45° merkki (27) sahauslinjan kanssa.
- ◆ Kiristä näköohjain ruuveilla (28).

Miten laseria käytetään (kuva H)

Sahausviivaa voidaan seurata helposti katsomalla sitä suoraan sahan yläpuolelta. Jos tästä suunnasta ei voi jostain syystä katsoa, laseria voi käyttää vaihtoehtoisena sahausohjaimena. Ennen kuin työkalu asennetaan laseryksikköön, etujalka (29) on vedettävä sisään.

- ◆ Aseta yksikkö näköohjaimen päälle.
- ◆ Työnnä takajalka (30) vastaaviin reikiin (31).
- ◆ Aseta saha sahauslinjan ylle.
- ◆ Käynnistä laser.

Tutustu myös laseryksikön käyttöohjeeseen.

Pölynpoisto (kuva I)

Pölynpoistoaukon avulla voit liittää työkaluun pölynimurin.

- ◆ Kiinnitä pölynimurin letku (11) aukkoon (13).

Huolto

Jiirisaha on suunniteltu toimimaan mahdollisimman pitkään mahdollisimman vähällä huollolla. Asianmukainen käyttö ja säännönmukainen puhdistus takaavat laitteen jatkuvan tyydyttävän toiminnan.

Varoitus! Ennen huoltoa ja puhdistusta tulee koneen olla pois päältä ja irti virtalähteestä.

- ◆ Puhdista työkalun ilma-aukot säännöllisesti pehmeällä harjalla tai kuivalla rievulla.
- ◆ Puhdista laitteen kuori säännöllisesti kostealla siivousliinalla. Älä koskaan käytä puhdistamiseen liuotainaineita tai syövyttäviä puhdistusaineita.

Ympäristö



Erillinen keräys. Tätä tuotetta ei saa hävittää normaalin kotitalousjätteen kanssa.

IE:n yhdenmukaisuusilmoitus

XTS1660

Black & Decker vakuuttaa naiden tuotteiden olevan seuraavien standardien vaatimusten mukaisia:
89/37/EC , 89/336/EEC, EN 60745, EN 55014, EN 61000

L_{pA} (aenenpaine) 102 dB(A), L_{WA} (akustinen teho) 113 dB(A),
kaden/kasivarren painotettu tarina 1,92 m/s²

K_{DA} (aenenpaineen epavarmuus) 3 dB(A),
 K_{WA} (akustisen tehon epavarmuus) 3 dB(A)



Kevin Hewitt
Director of Consumer Engineering
Spennymoor, County Durham DL16 6JG,
Iso-Britannia
1-1-2006

Takuu ei ole voimassa, mikali:

- Tuotetta on kaytetty myynti-, ammattimaisiin tai vuokraustarkoituksiin;
- Tuotetta on kaytetty vaarin tai huolimattomasti;
- Tuote on vahingoittunut vieraiden esineiden, aineiden tai onnettomuuksien vaikutuksesta;
- Muut kuin valtuutetut henkilot ovat suorittaneet korjauksen;
- Tuotteeseen on tehty muutoksia, jotka eivat ole sen alkuperaisen kayttotarkoituksen mukaisia
- Tuotteen kanssa on kaytetty varusteita tai lisalaitteita, jotka eivat ole sopivia.

Laajennettu takuu ei ole voimassa, mikali:

- ostokuittia tai alkuperaista laajennetun takuun todistusta ei voida esitta.

Rekisteroi tuotteesi nyt osoitteessa

www.blackanddecker.fi/xt, jotta laajennettu takuu (3 vuotta) astuisi voimaan ja jotta saisit tietoja uusista tuotteista ja erikoistarjouksista.

Kun haet korvausta takuun perusteella, sinun on toimitettava tuotteen ostokuitti myyjalle tai valtuutettuun huoltoliikkeeseen. Voit tarkistaa lahimman valtuutetun huoltoliikkeen sijainnin ottamalla yhteyden Black & Deckerin toimistoon, joka sijaitsee tassa kasikirjassa annetussa osoitteessa. Lista valtuutetuista Black & Decker - huoltoliikkeista seka yksityiskohtaiset tiedot korjauspalvelustamme ovat vaihtoehtoisesti saatavilla Internetissa, osoitteessa **www.2helpU.com**

Saat lisatietoja Black & Deckerin tavaramerkista ja tuotevalikoimastamme osoitteesta **www.blackanddecker.fi**

Korjaukset / varaosat

Mikali koneeseen tulee vikaa, jata se aina Black & Deckerin valtuuttamaan huoltoliikkeeseen korjattavaksi (tiedot loytyvat uusimmasta tuoteluettelostamme tai ottamalla yhteytta Black & Decker Oy:hyn). Varaosia myyvat valtuutetut Black & Deckerin huoltoliikkeet, ja heilta voi myos pyytaa kustannusarvion koneen korjauksesta.

Tiedot valtuutetuista huoltoliikkeista loytyvat myos internetista osoitteesta **www.2helpU.com** seka kotisivuiltamme **www.blackanddecker.fi**

Takuu

Black & Decker luottaa tuotteidensa laatuun ja tarjoaa erinomaisen takuun. Tama takuu on ylimaarainen eika vaikuta millaan tavalla lakisaateisiin oikeuksiisi. Takuu on voimassa Euroopan unionin jasenvaltioiden alueella ja Euroopan vapaakauppa-alueen sisalla.



Jos Black & Deckerin XT –tuotteeseen (lukuun ottamatta varusteita, lisalaitteita, akkuja, latureita ja istukoita) tulee vika viallisten materiaalien, valmistusvirheen tai yhdenmukaisuuden puutteen vuoksi kolmen vuoden kuluessa tuotteen hankinnasta, Black & Decker vaihtaa kaikki vialliset osat uusiin, korjaa tuotteen, joka on kulunut normaalisti kaytossa tai vaihtaa tuotteen uuteen, mikali tuote on rekisteroity Black & Deckerin XT –takuuverkkosivulla 90 paivan kuluessa sen hankinnasta. Jos tuotetta ei ole rekisteroity, vain standarditakuu (2 vuotta) on voimassa.

Ενδεξιμένη χρήση

Το προϊόν σας της Black & Decker έχει σχεδιαστεί για την κοπή ξύλου και ξύλινων προϊόντων. Αυτό το εργαλείο προορίζεται μόνο για ερασιτεχνική χρήση.

Γενικοί κανόνες ασφαλείας

Προειδοποίηση! Διαβάστε όλες τις υποδείξεις. Η μη τήρηση όλων των παρακάτω υποδείξεων μπορεί να προκαλέσει ηλεκτροπληξία, πυρκαγιά ή/και σοβαρούς τραυματισμούς. Ο χαρακτηρισμός “ηλεκτρικό εργαλείο” που χρησιμοποιείται στις παρακάτω προειδοποιητικές υποδείξεις αφορά ή το εργαλείο που συνδέεται στην πρίζα (με καλώδιο) ή το εργαλείο που λειτουργεί με μπαταρία (χωρίς καλώδιο). ΦΥΛΑΞΤΕ ΑΥΤΕΣ ΤΙΣ ΟΔΗΓΙΕΣ.

1. Χώρος εργασίας

- a. **Διατηρείτε το χώρο που εργάζεστε καθαρό και καλά φωτισμένο.** Η αταξία στο χώρο που εργάζεστε και τα σημεία χωρίς καλό φωτισμό μπορεί να οδηγήσουν σε ατυχήματα.
- β. **Μη χρησιμοποιείτε τα ηλεκτρικά εργαλεία σε περιβάλλον όπου υπάρχει κίνδυνος έκρηξης, π.χ. παρουσία εύφλεκτων υγρών, αερίων ή σκόνης.** Τα ηλεκτρικά εργαλεία μπορεί να δημιουργήσουν σπινθηρισμό ο οποίος μπορεί να αναφλέξει τη σκόνη ή τις αναθυμιάσεις.
- γ. **Όταν χρησιμοποιείτε το ηλεκτρικό εργαλείο, κρατάτε τα παιδιά και τα υπόλοιπα άτομα μακριά από το χώρο που εργάζεστε.** Σε περίπτωση που άλλα άτομα αποσπάσουν την προσοχή σας μπορεί να χάσετε τον έλεγχο του μηχανήματος.

2. Ασφαλής χρήση του ηλεκτρικού ρεύματος

- a. **Το φως του καλωδίου του ηλεκτρικού εργαλείου πρέπει να ταιριάζει στην αντίστοιχη πρίζα. Δεν επιτρέπεται με κανένα τρόπο η μετασκευή του φως. Μη χρησιμοποιείτε προσαρμοστικά φως στα γειωμένα ηλεκτρικά εργαλεία.** Τα φως που δεν έχουν υποστεί τροποποιήσεις και οι κατάλληλες πρίζες μειώνουν τον κίνδυνο ηλεκτροπληξίας.
- β. **Αποφεύγετε την επαφή του σώματός σας με γειωμένες επιφάνειες όπως σωλήνες, θερμαντικά σώματα (καλοριφέρ), κουζίνες και ψυγεία.** Όταν το σώμα σας είναι γειωμένο, αυξάνεται ο κίνδυνος ηλεκτροπληξίας.
- γ. **Μην εκθέτετε το ηλεκτρικό εργαλείο στη βροχή ή την υγρασία.** Η διείσδυση νερού στο ηλεκτρικό εργαλείο αυξάνει τον κίνδυνο ηλεκτροπληξίας.
- δ. **Μην κακομεταχειρίζεστε το καλώδιο. Μη χρησιμοποιήσετε ποτέ το καλώδιο για να μεταφέρετε, να τραβήξετε ή να αποσυνδέσετε το εργαλείο από την πρίζα. Κρατάτε το καλώδιο μακριά από υψηλές θερμοκρασίες, λάδια, κοφτερές ακμές ή κινούμενα εξαρτήματα.** Τυχόν χαλασμένα ή μπερδεμένα καλώδια αυξάνουν τον κίνδυνο ηλεκτροπληξίας.

- ε. **Όταν χρησιμοποιείτε το ηλεκτρικό εργαλείο σε εξωτερικούς χώρους, να χρησιμοποιείτε πάντοτε προεκτάξεις (μπαλαντέζες) που έχουν εγκριθεί για χρήση σε εξωτερικούς χώρους.** Η χρήση προεκτάσεων εγκριμένων για εργασία σε εξωτερικούς χώρους μειώνει τον κίνδυνο ηλεκτροπληξίας.

3. Ασφάλεια προσώπων

- a. **Όταν χρησιμοποιείτε το ηλεκτρικό εργαλείο, να είστε προσεκτικοί, να δίνετε προσοχή στην εργασία που κάνετε και να επιστρατεύετε την κοινή λογική. Μη χρησιμοποιείτε το ηλεκτρικό εργαλείο όταν είστε κουρασμένοι ή όταν βρίσκεστε υπό την επίρεια ναρκωτικών, οιονοπιεύματος ή φαρμάκων.** Μια στιγμιαία απροσεξία κατά το χειρισμό του ηλεκτρικού εργαλείου μπορεί να οδηγήσει σε σοβαρούς τραυματισμούς.
- β. **Να χρησιμοποιείτε εξοπλισμό ασφαλείας. Να φοράτε πάντα προστατευτικά γυαλιά.** Ο κίνδυνος τραυματισμών μειώνεται όταν χρησιμοποιείτε εξοπλισμό ασφαλείας, όπως μάσκα προστασίας από σκόνη, αντιολισθητικά παπούτσια ασφαλείας, κράνη ή ωτασπίδες, ανάλογα με τις συνθήκες εργασίας.
- γ. **Αποφεύγετε την αθέλητη θέση σε λειτουργία του ηλεκτρικού εργαλείου. Βεβαιωθείτε, ότι ο διακόπτης λειτουργίας βρίσκεται στη θέση “OFF” πριν συνδέσετε το ηλεκτρικό εργαλείο στην πρίζα.** Αν μεταφέρετε το ηλεκτρικό εργαλείο έχοντας το δάκτυλό σας πάνω στο διακόπτη λειτουργίας ή αν συνδέσετε το ηλεκτρικό εργαλείο στην πρίζα όταν ο διακόπτης λειτουργίας βρίσκεται στη θέση “ON”, αυτό μπορεί να οδηγήσει σε σοβαρούς τραυματισμούς.
- δ. **Πριν θέσετε το ηλεκτρικό εργαλείο σε λειτουργία, αφαιρέστε τυχόν εργαλεία ή κλειδιά ρύθμισης.** Ένα εργαλείο ή κλειδί συναρμολογημένο στο περιστρεφόμενο εξάρτημα ενός ηλεκτρικού εργαλείου μπορεί να προκαλέσει τραυματισμούς.
- ε. **Μην τεντώνεστε. Φροντίστε πάντοτε να έχετε την κατάλληλη στάση και να διατηρείτε την ισορροπία σας.** Αυτό σας επιτρέπει τον καλύτερο έλεγχο του ηλεκτρικού εργαλείου σε περιπτώσεις απροσδόκων καταστάσεων.
- στ. **Φοράτε κατάλληλη ενδυμασία εργασίας. Μη φοράτε φαρδιά ρούχα ή κοσμήματα. Κρατάτε τα μαλλιά, τα ενδύματα και τα γάντια σας μακριά από τα κινούμενα εξαρτήματα.** Τα φαρδιά ρούχα, τα κοσμήματα και τα μακριά μαλλιά μπορεί να εμπλακούν στα κινούμενα εξαρτήματα.
- ζ. **Αν προβλέπονται διατάξεις απαγωγής και συλλογής της σκόνης, βεβαιωθείτε ότι είναι συνδεδεμένες και ότι χρησιμοποιούνται σωστά.** Η χρήση τέτοιων διατάξεων μειώνει τους κινδύνους που προέρχονται από τη σκόνη.

4. Χρήση και συντήρηση του ηλεκτρικού εργαλείου

- α. Μην υπερφορτώνετε το ηλεκτρικό εργαλείο.**
Χρησιμοποιείτε για την εκάστοτε εργασία σας το ηλεκτρικό εργαλείο που προορίζεται γι' αυτήν. Με το κατάλληλο ηλεκτρικό εργαλείο εργάζεσθε καλύτερα και ασφαλέστερα στην ονομαστική περιοχή ισχύος του.
- β. Μη χρησιμοποιήσετε ποτέ ένα ηλεκτρικό εργαλείο του οποίου ο διακόπτης λειτουργίας είναι χαλασμένος.**
Ένα ηλεκτρικό εργαλείο του οποίου η λειτουργία δεν μπορεί να ελεγχθεί με το διακόπτη είναι επικίνδυνο και πρέπει να επισκευαστεί.
- γ. Βγάλτε το φισ από την πρίζα πριν διεξάγετε κάποια εργασία ρύθμισης στο ηλεκτρικό εργαλείο, πριν αλλάξετε κάποιο εξάρτημα ή όταν πρόκειται να το αποθηκεύσετε.** Αυτά τα προληπτικά μέτρα ασφαλείας μειώνουν τον κίνδυνο να θεθεί το μηχάνημα αθέλητα σε λειτουργία.
- δ. Να φυλάτε τα ηλεκτρικά εργαλεία που δεν χρησιμοποιείτε μακριά από παιδιά. Μην αφήνετε άτομα που δεν είναι εξοικειωμένα με το ηλεκτρικό εργαλείο ή που δεν έχουν διαβάσει αυτές τις οδηγίες χρήσης να το χρησιμοποιήσουν.**
Τα ηλεκτρικά εργαλεία είναι επικίνδυνα όταν χρησιμοποιούνται από άπειρα άτομα.
- ε. Να συντηρείτε τα ηλεκτρικά εργαλεία. Ελέγξτε εάν τα κινούμενα μέρη είναι σωστά ευθυγραμμισμένα ή αν έχουν μπλοκάρει, εάν έχουν σπάσει κομμάτια και εάν πληρούνται όλες οι υπόλοιπες συνθήκες που ενδεχομένως να επηρεάσουν τη σωστή λειτουργία του εργαλείου. Δώστε τυχόν χαλασμένα εξαρτήματα του ηλεκτρικού εργαλείου για επισκευή πριν το χρησιμοποιήσετε πάλι.** Η ανεπαρκής συντήρηση των ηλεκτρικών εργαλείων αποτελεί αιτία πολλών ατυχημάτων.
- στ. Διατηρείτε τα κοπτικά εργαλεία κοφτερά και καθαρά.**
Τα κοπτικά εργαλεία με αιχμηρά κοπτικά άκρα που συντηρούνται σωστά έχουν λιγότερες πιθανότητες να μπλοκάρουν και ελέγχονται ευκολότερα.
- ζ. Να χρησιμοποιείτε τα ηλεκτρικά εργαλεία, τα εξαρτήματα και τα άκρα των εργαλείων κλπ σύμφωνα με τις παρούσες οδηγίες καθώς και όπως προβλέπεται για τον κάθε τύπο μηχανήματος, λαμβάνοντας υπόψη σας τις συνθήκες εργασίας και την εργασία που θέλετε να εκτελέσετε.** Η χρήση του ηλεκτρικού εργαλείου για άλλες εκτός από τις προβλεπόμενες εργασίες μπορεί να δημιουργήσει επικίνδυνες καταστάσεις.
- 5. Σέρβις**
- α. Το σέρβις του ηλεκτρικού σας εργαλείου πρέπει να αναλαμβάνει έμπειρος τεχνικός που θα χρησιμοποιεί μόνο γνήσια ανταλλακτικά.** Έτσι εξασφαλίζεται η διατήρηση της ασφάλειας του ηλεκτρικού εργαλείου.

Οδηγίες ασφαλείας για όλα τα πριόνια

Κίνδυνος:

- ♦ **Μη θάξετε τα χέρια σας στην περιοχή του πριονιού ή στον πριονόδισκο. Κρατάτε με το άλλο [το δεύτερο] χέρι σας την πρόσθετη λαβή ή το περιβλήμα του κινητήρα.** Όταν κρατάτε το δισκοπρίονο και με τα δυο σας χέρια τότε ο πριονόδισκος δεν μπορεί να σας τραυματίσει.
- ♦ **Μη θάξετε τα χέρια σας κάτω από το υπό κατεργασία τεμάχιο.** Ο προφυλακτήρας δεν μπορεί να τα προστατέψει από τον πριονόδισκο όταν αυτά βρίσκονται κάτω από το υπό κατεργασία τεμάχιο.
- ♦ **Προσαρμόστε το θάθος κοπής στο πάχος του υπό κατεργασία τεμαχίου.** Κάτω το υπό κατεργασία τεμάχιο πρέπει να φαίνεται λιγότερο από ένα ολόκληρο δόντι του πριονόδισκου.
- ♦ **Μη συγκρατείτε ποτέ το υπό κατεργασία τεμάχιο με το χέρι και μην το ακουμπάτε ποτέ στα πόδια [τα σκέλη] σας. Ασφαλίστε το υπό κατεργασία τεμάχιο επάνω σε μια σταθερή επιφάνεια.** Το καλό στερώνωμα του υπό κατεργασία τεμαχίου είναι πολύ σημαντικό επειδή έτσι μειώνεται στο ελάχιστο ο κίνδυνος της επαφής του με το σώμα σας, το μπλοκάρισμα του πριονόδισκου ή η απώλεια του ελέγχου του.
- ♦ **Πιάνετε το μηχάνημα μόνο από τις μονωμένες επιφάνειές του όταν κατά την εργασία σας υπάρχει κίνδυνος το εργαλείο κοπή να “χτυπήσει” ηλεκτρικές γραμμές ή το ηλεκτρικό καλώδιο του ίδιου του μηχανήματος.** Η επαφή του πριονόδισκου με μια υπό τάση ευρισκόμενη ηλεκτρική γραμμή θέτει επίσης και τα μεταλλικά τμήματα του μηχανήματος υπό τάση κι έτσι μπορεί να οδηγήσει σε ηλεκτροπληξία.
- ♦ **Όταν διεξάγετε διαμήκεις [μακροές] κοπές χρησιμοποιείτε πάντοτε έναν οδηγό κοπής ή μια διάταξη ευθυγράμμισης της τομής.** Με αυτόν τον τρόπο βελτιώνεται η ακρίβεια της τομής κι ελαττώνονται οι πιθανότητες σφηνώματος του πριονόδισκου.
- ♦ **Χρησιμοποιείτε πάντοτε πριονόδισκους με το σωστό μέγεθος και με κατάλληλη τρύπα υποδοχής (π. χ. με στρογγυλή ή αστεροειδή τρύπα).** Πριονόδισκοι που δεν ταιριάζουν με τα εξαρτήματα συναρμολόγησης του πριονιού περιστρέφονται ασύμμετρα και οδηγούν στην απώλεια του ελέγχου του μηχανήματος.
- ♦ **Μη χρησιμοποιήσετε ποτέ χαλασμένους ή ακατάλληλους πριονόδισκους, ακατάλληλες ροδέλες ή βίδες.** Οι ροδέλες και οι βίδες κατασκευάζονται ειδικά για τον εκάστοτε πριονόδισκο κι εξασφαλίζουν έτσι τη μέγιστη δυνατή απόδοση και ασφάλεια λειτουργίας.

Περισσότερες οδηγίες ασφαλείας για όλα τα πριόνια

Αιτίες και αποφυγή κλοστήματος:

- το κλόστημα είναι η απροσδόκητη αντίδραση του δισκοπρίονου όταν αυτός “σκοντάψει” ή μπλοκάρει ή όταν είναι λάθος συναρμολογημένος αυτό προκαλεί το ανασήκωμα του ανεξέλεγκτου πλέον πριονιού από το υπό κατεργασία τεμάχιο και στην κίνησή του με κατεύθυνση προς το χειριστή;
- όταν το δισκοπρίονο σκοντάψει ή σφηνώσει στη σχισμή πριονίσματος όταν αυτή κλείνει, τότε αυτός μπλοκάρει και η δύναμη του κινητήρα “κλωσά” το μηχάνημα με κατεύθυνση προς το χειριστή;
- όταν το δισκοπρίονο στρεβλώσει ή όταν είναι λάθος συναρμολογημένος, τότε δεν αποκλείεται τα δόντια στην πίσω ακμή του δισκοπρίονου να σφηνώσουν στην επιφάνεια του υπό κατεργασία τεμαχίου κι έτσι το δισκοπρίονο να πεταχτεί έξω από το υπό κατεργασία τεμάχιο και το πριόνι να εκτιναχτεί με κατεύθυνση προς το χειριστή.

Το κλόστημα αποτελεί συνέπεια ενός εσφαλμένου ή ελλιπού χειρισμού του πριονιού. Μπορεί να αποφευχθεί με κατάλληλα προληπτικά μέτρα, όπως αυτά που περιγράφονται παρακάτω.

- ◆ **Να κρατάτε το πριόνι και με τα δυο σας χέρια και να δίνετε στους βραχιόνές σας μια θέση, στην οποία θα μπορούσατε να αντιμετωπίσετε τυχόν αντιδραστικές δυνάμεις [κλωστήματα] του μηχανήματος. Να στέκεστε πάντα δίπλα από τον πριονόδισκο και ποτέ στην ίδια γραμμή μ αυτόν.** Σε περίπτωση κλοστήματος το δισκοπρίονο μπορεί μεν να εκτιναχτεί προς τα πίσω, όμως, όταν έχουν ληφθεί κατάλληλα προληπτικά μέτρα, ο χειριστής μπορεί να αντιμετωπίσει με επιτυχία το κλόστημα.
- ◆ **Σε περίπτωση που ο πριονόδισκος μπλοκάρει ή το πριόνισμα διακοπεί από οποιοδήποτε άλλη αιτία, τότε αφήστε το διακόπτη ON/OFF ελεύθερο και κρατήστε το πριόνι με ηρεμία μέσα στο υλικό μέχρι να ακινητοποιηθεί εντελώς ο πριονόδισκος. Μην προσπαθήσετε ποτέ να απομακρύνετε το πριόνι από το υπό κατεργασία τεμάχιο ή να το τραβήξετε προς τα πίσω όσο ο πριονόδισκος κινείται ή όταν υπάρχει ακόμη κίνδυνος κλοστήματος.** Εξακριβώστε την αιτία του μπλοκαρίσματος του πριονόδισκου και εξουδετερώστε την με τα κατάλληλα μέτρα.
- ◆ **Όταν θελήσετε να εκκινήσετε πάλι ένα ακινητοποιημένο πριόνι του οποίου ο πριονόδισκος βρίσκεται μέσα στο υπό κατεργασία τεμάχιο, ευθυγραμμίστε τον πριονόδισκο μέσα στη σχισμή κοπής κι ελέγξτε, μήπως τα δόντια του είναι σφηνωμένα μέσα στο υπό κατεργασία τεμάχιο.** Όταν ο πριονόδισκος είναι μπλοκαρισμένος μπορεί να πεταχτεί έξω από το υπό κατεργασία τεμάχιο ή να κλωστήσει όταν το πριόνι θεθεί πάλι σε λειτουργία.

- ◆ **Μεγάλες υπό κατεργασία πλάκες πρέπει να υποστηρίζονται για να μειωθεί ο κίνδυνος κλοστήματος από έναν τυχόν σφηνωμένο πριονόδισκο.** Οι μεγάλες πλάκες μπορεί να λυγίσουν από το ίδιο τους το βάρος. Οι πλάκες πρέπει να υποστηρίζονται και στις δυο πλευρές τους, και κοντά στον πριονόδισκο και στα άκρα τους.
- ◆ **Μη χρησιμοποιείτε αμβλίες ή χαλασμένους πριονόδισκους.** Πριονόδισκοι με μη κοφτερά ή με λάθος ευθυγραμμισμένα δόντια προκαλούν, εξαιτίας της πολύ στενής σχισμής πριονίσματος, αύξηση της τριβής, σφηνώμα του πριονόδισκου και κλόστημα.
- ◆ **Πριν το πριόνισμα σφίξτε καλά τις διατάξεις ρύθμισης του θάβους και της γωνίας κοπής.** Σε περίπτωση που οι ρυθμίσεις μεταβληθούν κατά τη διάρκεια του πριονίσματος μπορεί να μπλοκάρει ο πριονόδισκος και να οδηγήσει έτσι σε κλόστημα.
- ◆ **Προσέχετε ιδιαίτερα όταν διεξαγάτε “κοπές θύσης” σε μη ορατούς τομείς, π. χ. σ έναν ήδη υπάρχοντα τοίχο.** Ο βυθιζόμενος πριονόδισκος μπορεί να μπλοκάρει σε μη ορατά αντικείμενα και να οδηγήσει έτσι σε κλόστημα.

Οδηγίες ασφαλείας για πριόνια με προστατευτικό εμβόλου δισκοπρίονου

- ◆ **Ελέγχετε πριν από κάθε χρήση αν κλείνει άψογα ο κάτω προφυλακτήρας. Μη χρησιμοποιήσετε το πριόνι όταν ο κάτω προφυλακτήρας δεν κινείται ελεύθερα και δεν κλείνει αμέσως. Μη σφηνώνετε και μη δένετε ποτέ τον κάτω προφυλακτήρα για να παραμείνει ανοιχτός.** Ο κάτω προφυλακτήρας μπορεί να στρεβλωθεί σε περίπτωση που το πριόνι πέσει αθέλητα στο έδαφος. Ανοιξτε τον προφυλακτήρα με τη βοήθεια της λαβής και βεβαιωθείτε ότι κινείται ελεύθερα καθώς και ότι δεν εγγίζει τον πριονόδισκο ή άλλα τμήματα του πριονιού, σε οποιαδήποτε βάθος ή γωνία κοπής κι αν ρυθμιστεί.
- ◆ **Ελέγξτε τη λειτουργία του ελατηρίου του κάτω προφυλακτήρα. Δώστε το μηχάνημα για συντήρηση πριν το χρησιμοποιήσετε σε περίπτωση που ο κάτω προφυλακτήρας ή/και το ελατήριο δε λειτουργούν άψογα.** Χαλασμένα εξαρτήματα, κολλώδη ιζήματα ή συσσωρεύσεις γρεζιών ή ροκανιδιών επιβραδύνουν την κίνηση του προφυλακτήρα.
- ◆ **Ο κάτω προφυλακτήρας επιτρέπεται να ανοιχτεί με το χέρι μόνο για τη διεξαγωγή ιδιαίτερων κοπών, π. χ. για “κοπές θύσης και κοπές γωνιών”.** Ανοιξτε τον προφυλακτήρα με τη βοήθεια της λαβής κι αφήστε τον πάλι ελεύθερο μόλις ο πριονόδισκος βυθιστεί στο υπό κατεργασία τεμάχιο. Σε όλες τις άλλες εργασίες κοπής ο προφυλακτήρας πρέπει να λειτουργεί αυτόματα.

- ♦ **Μην αποθέσετε το πριόνι επάνω στο τραπέζι εργασίας ή στο δάπεδο χωρίς ο κάτω προφυλακτήρας να καλύπτει τον πριονόδισκο.** Ένας ακάλυπτος πριονόδισκος που συνεχίζει να περιστρέφεται κινεί το πριόνι με φορά αντίθετη της φοράς κοπής και πριονίζει ότι συναντήσει στο δρόμο του. Λάβετε υπόψη σας το χρόνο που χρειάζεται μέχρι να ακινητοποιηθεί εντελώς το πριόνι [χρόνος ιχνηλασίας].

Πρόσθετες οδηγίες ασφαλείας για όλα τα πριόνια με μαχαίρι κοπής

- ♦ **Χρησιμοποιείτε πάντοτε την κατάλληλη σφήνα για τον εκάστοτε χρησιμοποιούμενο πριονόδισκο.** Η σφήνα πρέπει να είναι παχύτερη από το συμπαγές τμήμα του πριονόδισκου και λεπτότερη από το πλάτος της οδόντωσης του πριονόδισκου.
- ♦ **Ρυθμίζετε τη σφήνα όπως περιγράφεται στις οδηγίες χειρισμού.** Λάθος πάχος, θέση ή ευθυγράμμιση της σφήνας μπορεί να γίνουν αιτία η σφήνα να μην εμποδίζει αποτελεσματικά το κλότσημα.
- ♦ **Χρησιμοποιείτε πάντοτε τη σφήνα, εκτός όταν διεξάγετε κοπές βύθισης.** Συναρμολογήστε πάλι τη σφήνα μετά την κοπή βύθισης. Σε όλες τις άλλες κοπές η σφήνα αποτελεί εμπόδιο και μπορεί να προκαλέσει κλότσημα.
- ♦ **Η σφήνα πρέπει να βρίσκεται μέσα στη σχισμή πριονίσματος για να μπορεί να δράσει αποτελεσματικά.** Στις σύντομες κοπές η σφήνα παραμένει αδρανής και δεν είναι σε θέση να εμποδίσει ένα ενδεχόμενο κλότσημα.
- ♦ **Μη χρησιμοποιήσετε το πριόνι όταν η σφήνα είναι στρεβλωμένη.** Ακόμη και το πιο μικρό εμπόδιο μπορεί να επιβραδύνει το κλείσιμο του προφυλακτήρα.

Πρόσθετες οδηγίες ασφαλείας για δισκοπρίονα

- ♦ Να φοράτε προστατευτικά καλύμματα για τα αυτιά. Η έκθεση σε θόρυβο μπορεί να προκαλέσει απώλεια ακοής.
- ♦ Καλύτερο είναι να φοράτε μια μάσκα για τη σκόνη.
- ♦ Μη χρησιμοποιείτε λεπίδες μεγαλύτερης ή μικρότερης διαμέτρου από τη συνιστώμενη. Για σωστή διαστασιολόγηση της λεπίδας συμβουλευθείτε τα τεχνικά στοιχεία. Χρησιμοποιήστε μόνο λεπίδες με προδιαγραφές όπως αυτές που περιγράφονται σε αυτό το εγχειρίδιο, οι οποίες συμμορφώνονται με το πρότυπο EN 847-1.
- ♦ Ποτέ μη χρησιμοποιήσετε λειαντικούς δίσκους κοπής.

Ασφαλής χρήση του ηλεκτρικού ρεύματος



Αυτό το εργαλείο φέρει διπλή μόνωση, επομένως δεν απαιτείται σύρμα γείωσης. Ελέγχετε πάντοτε αν η τάση τροφοδοσίας αντιστοιχεί σε αυτήν που αναγράφεται στην πινακίδα στοιχείων του εργαλείου.

- ♦ Αυτό το εργαλείο δεν πρέπει να χρησιμοποιηθεί από νέους ή ασταθές άτομα χωρίς επιτήρηση. Τα παιδιά πρέπει να επιτηρηθούν για να βεβαιωθείτε ότι δεν παίζουν με το εργαλείο.
- ♦ Αν το καλώδιο ρεύματος έχει υποστεί βλάβη, πρέπει να αντικατασταθεί από τον κατασκευαστή ή από εξουσιοδοτημένο Κέντρο Επισκευών Black & Decker ώστε να αποφεύγετε τους κινδύνους.

Γενική Επισκόπηση

1. Διακόπτης on/off
2. Μπουτόν απασφάλισης
3. Κύρια λαβή
4. Βοηθητική λαβή
5. Κομπι ασφάλισης άξονα
6. Πέλιμα
7. Λεπίδα πριονιού
8. Προστατευτικό περιβλήμα πριονόλαμας
9. Αποσπώμενη λεπίδα
10. Παράλληλος οδηγός
11. Μονάδα λείξερ
12. Κλειδί πριονόλαμας
13. Εξοδος σκόνης

Συναρμολόγηση

Προειδοποίηση! Πριν την συναρμολόγηση, βεβαιωθείτε ότι το εργαλείο είναι σβησμένο και εκτός πρίζας και ότι η πριονόλαμα έχει σταματήσει.

Αφαίρεση και τοποθέτηση και αφαίρεση μιας πριονόλαμας (εικ. Α)

Αφαίρεση

- ♦ Κρατήστε πατημένο το κομπι ασφάλειας της ατράκτου (5) και περιστρέψτε τη λεπίδα μέχρι να ασφαλίσει εντελώς η ασφάλεια.
- ♦ Χαλαρώστε και αφαιρέστε τον κοχλία συγκράτησης της πριονόλαμας (14) στρέφοντάς τον αριστερόστροφα με το κλειδί (12) που σας δίνεται.
- ♦ Αφαιρέστε την εξωτερική ροδέλα (15).
- ♦ Αφαιρέστε την πριονόλαμα (7).

Προσαρμογή

- ♦ Τοποθετήστε το δίσκο επάνω στην εσωτερική φλάντζα (16), και βεβαιωθείτε ότι το βέλος επάνω στη λεπίδα δείχνει προς την ίδια κατεύθυνση με το βέλος στο εργαλείο.
- ♦ Τοποθετήστε την εξωτερική ροδέλα (15) στην ατράκτο, με το ανασηκωμένο τμήμα στραμμένο μακριά από την πριονόλαμα.
- ♦ Τοποθετήστε τον κοχλία συγκράτησης της λεπίδας (14) στην οπή.
- ♦ Κρατήστε πατημένο το κομπι ασφάλειας ατράκτου (5).

- ◆ Σφίξτε καλά τον κοχλία συγκράτησης της λεπίδας στρέφοντάς τον δεξιόστροφα με το κλειδί (12) που σας δίνεται.
- ◆ Προσαρμόστε την αποσπώμενη λεπίδα όπως περιγράφεται παρακάτω.

Ρύθμιση της αποσπώμενης λεπίδας (εικ. Β)

Η αποσπώμενη λεπίδα προλαμβάνει το μπλοκάρισμα της πριονόλαμας κατά τη διάρκεια εργασιών σχάσεως. Θα πρέπει να ρυθμιστεί η αποσπώμενη λεπίδα, μετά την αντικατάσταση της πριονόλαμας.

- ◆ Χαλαρώστε τις βίδες (17) χρησιμοποιώντας το κλειδί (12) κρατώντας σε θέση την αποσπώμενη λεπίδα. Πρέπει να χαμηλώστε το βάθος της κοπής για να αποκτήσετε πρόσβαση στις βίδες.
- ◆ Τοποθετήστε την αποσπώμενη λεπίδα (9) όπως υποδεικνύεται.
- ◆ Η απόσταση μεταξύ του οδοντωτού χείλους και της αποσπώμενης λεπίδας θα πρέπει να είναι 2-3 χιλιοστά.
- ◆ Η διαφορά ύψους μεταξύ του οδοντωτού χείλους και του κάτω άκρου της αποσπώμενης λεπίδας θα πρέπει να είναι 2-3 χιλιοστά.
- ◆ Σφίξτε τις βίδες.

Τοποθέτηση και αφαίρεση του παράλληλου οδηγού (εικ. C)

- ◆ Ο παράλληλος οδηγός χρησιμοποιείται για το πριόνισμα σε ευθεία γραμμή παράλληλα με το άκρο του κατεργαζόμενου τεμαχίου.

Προσαρμογή

- ◆ Χαλαρώστε τον διακόπτη ασφάλισης (18).
- ◆ Εισάγετε τον παράλληλο οδηγό (10) μέσα από τα ανοίγματα (19).
- ◆ Σύρετε τον παράλληλο οδηγό στην επιθυμητή θέση.
- ◆ Σφίξτε τον διακόπτη ασφάλισης.

Αφαίρεση

- ◆ Χαλαρώστε τον διακόπτη ασφάλισης.
- ◆ Σύρετε τον παράλληλο οδηγό εκτός του εργαλείου.

Χρήση

Προειδοποίηση! Αφήστε το εργαλείο να λειτουργήσει με το δικό του ρυθμό. Μην το υπερφορτώνετε.

Το εργαλείο αυτό μπορεί να χρησιμοποιηθεί στη δεξιά ή στην αριστερή πλευρά.

Ρύθμιση της γωνίας λεπίδας (εικ. D)

Η προκαθορισμένη γωνία ενδιάμεσα τη λεπίδα κοπής και του πέλματος είναι 90°.

- ◆ Χρησιμοποιήστε έναν ορθογωνιόμετρο για να ελέγξετε ότι η γωνία ενδιάμεσα τη λεπίδα κοπής και του πέλματος είναι 90°. Αν η γωνία δεν είναι 90° ρυθμίστε ως ακόλουθος:
- ◆ Χαλαρώστε το διακόπτη ασφάλισης (20) ώστε να απασφαλίσετε το πέλμα του πριονιού.
- ◆ Βιδώστε την βίδα ρύθμισης (21) μέσα η έξω για να πετύχετε μια γωνία 90°.
- ◆ Σφίξτε το διακόπτη ασφάλισης για να ασφαλίσετε το πέλμα του πριονιού στη θέση του.

Ρύθμιση του βάθους κοπής (εικ. E)

Το βάθος κοπής θα πρέπει να ρυθμίζεται ανάλογα με το πάχος του τεμαχίου που κατεργάζεστε. Θα πρέπει να υπερβαίνει το πάχος κατά περίπου 2 χιλιοστά.

- ◆ Χαλαρώστε το μοχλό (22) ώστε να απασφαλίσετε το πέλμα του πριονιού.
- ◆ Μετακινήστε το πέλμα του πριονιού (6) στην επιθυμητή θέση. Το αντίστοιχο βάθος κοπής αναγράφεται στην κλίμακα (23).
- ◆ Σφίξτε το μοχλό για να ασφαλίσετε το πέλμα του πριονιού στη θέση του.

Προσαρμογή της γωνίας κλήσης (εικ. F)

Το εργαλείο μπορεί να ρυθμιστεί για γωνίες κλήσης μεταξύ 0° και 45°.

- ◆ Χαλαρώστε το διακόπτη ασφάλισης (20) ώστε να απασφαλίσετε το πέλμα του πριονιού.
- ◆ Μετακινήστε το πέλμα του πριονιού (6) στην επιθυμητή θέση. Η αντίστοιχη γωνία κλήσης αναγράφεται στην κλίμακα (24).
- ◆ Σφίξτε το διακόπτη ασφάλισης για να ασφαλίσετε το πέλμα του πριονιού στη θέση του.

Θέση εντός και εκτός λειτουργίας

- ◆ Για να θέσετε σε λειτουργία το εργαλείο, μετακινήστε το κουμπί ασφάλισης (2) στη θέση ξεκλειδώματος και πιέστε τον διακόπτη ενεργοποίησης/ απενεργοποίησης (1).
- ◆ Για να θέσετε το εργαλείο εκτός λειτουργίας, αφήστε το διακόπτη on/off.

Πριόνισμα

Πάντα να κρατάτε το εργαλείο και με τα δυο χέρια.

- ◆ Αφήστε το δίσκο να κινηθεί ελεύθερα για μερικά δευτερόλεπτα πριν αρχίσετε το πριόνισμα.
- ◆ Ασκήστε μόνο ελαφρά πίεση πάνω στο εργαλείο ενώ εκτελείτε το πριόνισμα.
- ◆ Ενώ εργάζεστε, θα πρέπει το πόδι σας να ασκεί πίεση στο υπό κατεργασία αντικείμενο.

Συμβουλές για άριστη χρήση

- Επειδή η δημιουργία σχιζών κατά μήκος της γραμμής κοπής στο επάνω μέρος του κατεργαζόμενου τεμαχίου είναι αναπόφευκτη, να κόβετε στο πλάι όπου η δημιουργία σχιζών είναι προτιμότερη.
- Στις περιπτώσεις όπου θα πρέπει να ελαχιστοποιηθεί η δημιουργία σχιζών, π.χ. κατά την κοπή ελασμάτων, στερεώστε ένα κόντρα πλακέ πάνω στο κατεργαζόμενο τεμάχιο.

Χρήση του στόχαστρου (εικ. G)

Το εργαλείο διαθέτει ένα στόχαστρο για ευθεία κοπή (25) και φαλτσογωνιά 45° (26).

- Ρυθμίστε το στόχαστρο ως περιγράφεται παρακάτω.
- Ευθυγραμμίστε το αριστερό άκρο των οδηγιών (25) ή (26) με την γραμμή κοπής (27).
- Κρατήστε το στόχαστρο ευθυγραμμισμένο με τη γραμμή κοπής όταν πριονίζετε.
- Ενώ εργάζεστε, θα πρέπει το πόδι σας να ασκεί πίεση στο υπό κατεργασία αντικείμενο.

Ρύθμιση του στόχαστρου

- Κάντε μια δοκιμή κοπής μέχρι τι μέση ενός κομμάτι ξύλου.
- Αποσύρετε το πριόνι ώστε να εμφανιστεί η γραμμή κοπής (27).
- Καθώς κρατάτε το πριόνι σε αυτή τη θέση, χαλαρώστε το στόχαστρο στο πέλμα του πριονιού σύμφωνα με τις οδηγίες.
- Ευθυγραμμίστε την ένδειξη 0° (25) του στόχαστρου με τη γραμμή κοπής (27). Όταν ρυθμίζετε κοπή φαλτσογωνιάς 45°, ευθυγραμμίστε την ένδειξη των 45° (26) στο στόχαστρο με τη γραμμή κοπής.
- Ασφαλίστε το στόχαστρο με τις βίδες (28).

Πως να χρησιμοποιήσετε το λέιζερ (εικ. H)

Εάν κοιτάτε ακριβώς από πάνω από το πριόνι, μπορείτε εύκολα να ακολουθήσετε τη γραμμή κοπής. Στην περίπτωση κατά την οποία δεν μπορείτε να δείτε καθαρά για οποιοδήποτε λόγο, μπορείτε να χρησιμοποιήσετε το λέιζερ ως εναλλακτικό οδηγό κοπής.

Πριν την εγκατάσταση της μονάδας λέιζερ, το μπροστινό πόδι (29) πρέπει να μαζευτεί.

- Τοποθετήστε τη μονάδα στο στόχαστρο.
- Πατήστε το πίσω πόδι (30) στις αντίστοιχες οπές (31).
- Τοποθετήστε το πριόνι πάνω από τη γραμμή κοπής.
- Θέστε σε λειτουργία το λέιζερ.

Αναφερθείτε επίσης στον οδηγό της μονάδας λέιζερ.

Απομάκρυνση σκόνης (εικ. I)

Η έξοδος απομάκρυνσης σκόνης σας επιτρέπει να συνδέετε ηλεκτρική σκούπα στο εργαλείο.

- Συνδέστε το σωλήνα (11) της ηλεκτρικής σκούπας στην έξοδο (13).

Συντήρηση

Το εργαλείο σας έχει σχεδιαστεί έτσι ώστε να λειτουργεί για μεγάλη χρονική περίοδο με την ελάχιστη δυνατή συντήρηση. Η αδιάλειπτη και κανονική λειτουργία του εργαλείου εξαρτάται από τη φροντίδα και τον τακτικό καθαρισμό.

Προειδοποίηση! Πριν από οποιαδήποτε εργασία συντήρησης στο εργαλείο, θα πρέπει να το σβήσετε και να το βγάλετε από την πρίζα.

- Να καθαρίζετε τακτικά τις εγκοπές εξερισμού του εργαλείου σας χρησιμοποιώντας μαλακή βούρτσα ή στεγνό πανί.
- Να καθαρίζετε τακτικά το περιβλήμα του μοτέρ χρησιμοποιώντας ένα υγρό πανί. Μη χρησιμοποιείτε αποξεστικά καθαριστικά ή υγρά καθαρισμού που περιέχουν διαλύτες.

Διάθεση εργαλείων και περιβάλλον



Ξεχωριστή συλλογή. Αυτό το προϊόν δεν πρέπει να απορριφθεί με συνηθισμένα σπιτικά απορρίμματα.

Εάν κάποια μέρα διαπιστώσετε ότι το προϊόν σας Black & Decker χρειάζεται αντικατάσταση ή δεν σας χρησιμεύει πλέον, μην το απορρίψετε με τα σπιτικά απορρίμματα. Κάντε αυτό το προϊόν διαθέσιμο για ξεχωριστή συλλογή.



Η ξεχωριστή συλλογή χρησιμοποιημένων προϊόντων και συσκευασιών επιτρέπει την ανακύκλωση υλικών. Η επανάχρηση ανακυκλωμένων υλικών βοηθάει την προστασία του περιβάλλον και μειώνει την ζήτηση για σπάνια υλικά.

Οι τοπικοί κανονισμοί μπορεί να παρέχουν ξεχωριστή συλλογή ηλεκτρικών προϊόντων από κατοικίες, δημοτικές τοποθεσίες απορριμμάτων ή από τον έμπορα όταν αγοράσατε το καινούργιο προϊόν.

Η Black & Decker δίνει τη δυνατότητα συλλογής και ανακύκλωσης των προϊόντων της που έχουν συμπληρώσει τη διάρκεια ζωής τους. Αν θέλετε να χρησιμοποιήσετε την εν λόγω υπηρεσία, επιστρέψτε το προϊόν σας σε οποιοδήποτε εξουσιοδοτημένο κέντρο επισκευών, όπου θα το παραλάβουν εκ μέρους σας.

Ενημερωθείτε για το πλησιέστερο κέντρο επισκευών της περιοχής σας, επικοινωνώντας με τα γραφεία της Black & Decker στη διεύθυνση που αναγράφεται στο εγχειρίδιο. Επίσης, για να πληροφορηθείτε τα εξουσιοδοτημένα κέντρα επισκευών της Black & Decker και τις λεπτομέρειες και τους αρμόδιους των υπηρεσιών που παρέχονται μετά την πώληση, μπορείτε ανατρέξετε στο Διαδίκτυο στη διεύθυνση:
www.2helpU.com

Τεχνικά χαρακτηριστικά

		XTS1660
Τάση	V _{AC}	230
Ισχύς εισόδου	W	1.600
Ταχύτητα άφορτου κίνησης	min ⁻¹	1.000
Μέγιστο βάθος κοπής	mm	65
Διάμετρος λεπίδας	mm	1900
πή τροχού	mm	16
Πλάτος ακμής δίσκου	mm	2,2
Βάρος	kg	5,8

Δήλωση συμμόρφωσης με την Ευρωπαϊκή Κοινότητα
XTS1660

H Black & Decker δηλώνει ότι τα προϊόντα αυτά συμμορφώνονται με: 98/37/EOK , 89/336/EOK, EN 60745, EN 55014, EN 61000

L_{PA} (πίεση ήχου) 102 dB(A), L_{WA} (ακουστική ισχύς) 113 dB(A),
χειροβραχιονική δόνηση 1,92 m/s²

K_{PA} (αβεβαιότητα πίεσης ήχου) 3 dB(A),
K_{WA} (αβεβαιότητα ακουστικής ισχύος) 3 dB(A)



Kevin Hewitt
Διευθυντής Εξυπηρέτησης Πελατών
Spennymoor, County Durham DL16 6JG,
Αγγλία
1-1-2006

Εγγύηση

H Black & Decker είναι σίγουρη για την ποιότητα των προϊόντων της και παρέχει σημαντική εγγύηση. Η παρούσα γραπτή εγγύηση αποτελεί πρόσθετο δικαίωμά σας και δεν ζημιώνει τα συνταγματικά σας δικαιώματα. Η εγγύηση ισχύει εντός της επικράτειας των Κρατών Μελών της Ευρωπαϊκής Ένωσης και της Ευρωπαϊκής Ζώνης Ελευθέρων Συναλλαγών.



Σε περίπτωση που κάποιο προϊόν Black & Decker XT (εκτός τα αξεσουάρ, εξαρτήματα, μπαταρίες, φορτιστές και τσوك) παρουσιάσει βλάβη εξαιτίας ελαττωματικών υλικών, ποιότητας εργασίας ή έλλειψης συμφωνίας με τις προδιαγραφές εντός 3 χρόνων από την ημερομηνία αγοράς, η Black & Decker εγγυάται την αντικατάσταση των ελαττωματικών τμημάτων, την επισκευή προϊόντων που έχουν υποστεί εύλογη φθορά λόγω χρήσης ή την αντικατάσταση των προϊόντων υπό την προϋπόθεση ότι το προϊόν έχει καταχωρηθεί στην ιστοσελίδα εγγύησης της Black & Decker XT έως 90 ημέρες από την ημερομηνία αγοράς. Αν το προϊόν δεν έχει καταχωρηθεί, τότε ισχύει μόνο η βασική εγγύηση (2 χρόνων).

Η εγγύηση δεν ισχύει αν:

- ◆ Το προϊόν έχει χρησιμοποιηθεί σε εργασιακό, επαγγελματικό περιβάλλον ή αν έχει εννοικιαστεί
- ◆ Έχει γίνει εσφαλμένη χρήση του προϊόντος ή αν έχει παραμεληθεί
- ◆ Το προϊόν έχει υποστεί βλάβη από άλλα αντικείμενα, από ουσίες ή λόγω ατυχήματος
- ◆ Οι επισκευές έχουν επιχειρηστεί από μη εξουσιοδοτημένα πρόσωπα;
- ◆ Το προϊόν έχει προσαρμοστεί με οποιοδήποτε τρόπο από τις γνήσιες προδιαγραφές.
- ◆ Έχουν χρησιμοποιηθεί ακατάλληλα αξεσουάρ ή εξαρτήματα.

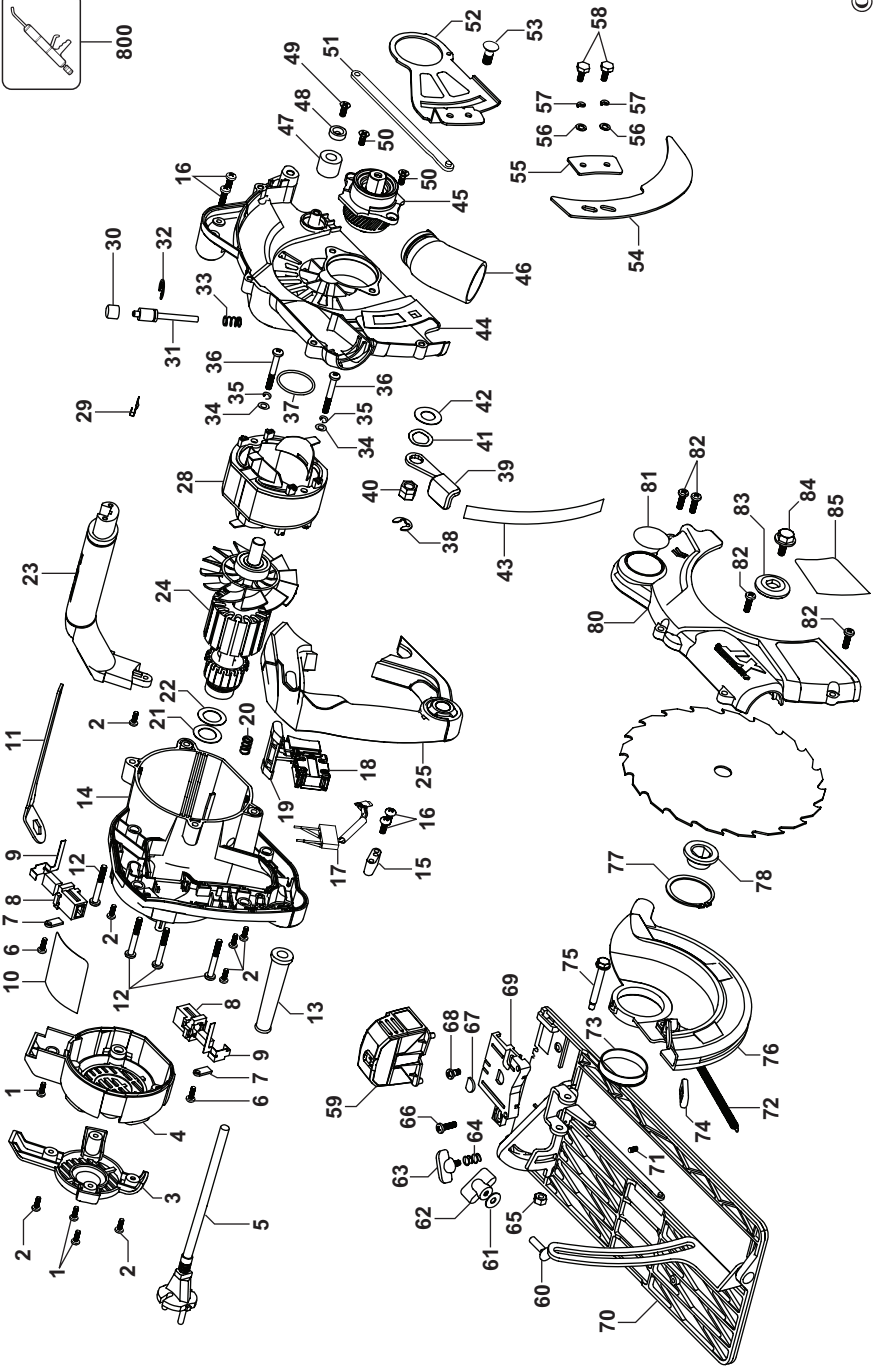
Η επεκτεταμένη εγγύηση δεν ισχύει αν:

- ◆ Δεν υπάρχει απόδειξη αγοράς και γνήσιο πιστοποιητικό επεκτεταμένης εγγύησης.

Καταχωρήστε τώρα το νέο σας προϊόν στη διεύθυνση www.blackanddecker.gr/xt για να εκμεταλλευτείτε την επεκτεταμένη εγγύηση (3 χρόνων), και για να κρατηθείτε ενημερωμένοι για τα νέα προϊόντα και ειδικές προσφορές.

Για να ισχύσει η εγγύηση, πρέπει να υποβάλετε απόδειξη αγοράς στον πωλητή ή το εξουσιοδοτημένο κέντρο επισκευών. Ενημερωθείτε για το πλησιέστερο κέντρο επισκευών της περιοχής σας, επικοινωνώντας με τα γραφεία της Black & Decker στη διεύθυνση που αναγράφεται στο εγχειρίδιο. Επίσης, για να πληροφορηθείτε τα εξουσιοδοτημένα κέντρα επισκευών της Black & Decker και τις λεπτομέρειες και τους αρμόδιους των υπηρεσιών που παρέχονται μετά την πώληση, μπορείτε ανατρέξετε στο Διαδίκτυο στη διεύθυνση:
www.2helpU.com

Περισσότερες πληροφορίες σχετικά με τη μάρκα Black & Decker και τη σειρά προϊόντων μας θα βρείτε στη διεύθυνση
www.blackanddecker.com



Australia	Black & Decker (Australia) Pty. Ltd. 20 Fletcher Road, Mooroolbark, Victoria, 3138	Tel. 03-8720 5100 Fax 03-9727 5940
België/Belgique	Black & Decker (Belgium) N.V. Campus Noord, Schaliënhoevedreef 20E 2800 Mechelen	Tel. 015 - 47 92 11 Fax 015 - 47 92 10
Danmark	Black & Decker Sluseholmen 2-4, 2450 København SV Internet: www.blackanddecker.dk	Tel. 70 20 15 15 Fax 36 94 49 01
Deutschland	Black & Decker GmbH Black & Decker Str. 40, D - 65510 Idstein	Tel. 06126/21 - 0 Fax 06126/21 29 80
Ελλάδα	Black & Decker (Ελλάς) Α.Ε. Στράβωνος 7 & Λεωφ. Βουλιαγμένης 159 166 74 Γλυφάδα - Αθήνα	Τηλ. 210 8981616 Φαξ 210 8983285 www.blackanddecker.gr
España	Black & Decker Ibérica, S.C.A. Parque de Negocios "Mas Blau" Edificio Muntadas, c/Bergadá, 1, Of. A6 08820 El Prat de Llobregat (Barcelona)	Tel. 934 797 400 Fax 934 797 419
France	Black & Decker (France) S.A.S. B.P. 21, 69571 Dardilly Cédex	Tel. 04 72 20 39 20 Fax 04 72 20 39 00
Helvetia	ROFO AG Gewerbezone Seeblick 3213 Kleinbödingen	Tel. 026-6749391 Fax 026-6749394
Italia	Black & Decker Italia SpA Viale Elvezia 2 20052 Monza (MI)	Tel. 039-23871 Fax 039-2387592/2387594 Numero verde 800-213935
Nederland	Black & Decker Benelux Joulehof 12, 4622 RG Bergen op Zoom	Tel. 0164 - 283000 Fax 0164 - 283100
New Zealand	Black & Decker 81 Hugo Johnston Drive Penrose, Auckland, New Zealand	Tel. 09 579 7600 Fax 09 579 8200
Norge	Black & Decker (Norge) A/S Postboks 4814, Nydalen, 0422 Oslo Internet: www.blackanddecker.no	Tlf. 22 90 99 00 Fax 22 90 99 01
Österreich	Black & Decker Vertriebsges.m.b.H Erlaaerstraße 165, 1231 Wien	Tel. 01 66116-0 Fax 01 66116-14
Portugal	Black & Decker Rua Egas Moniz 173 S. João do Estoril 2766-651 Estoril	Tel. 214667500 Fax 214667575
Suomi	Black & Decker Oy Keilasatama 3, 02150 Espoo Black & Decker Oy, Kägelhamnen 3, 02150 Esbo	Puh.: 010 400 430 Faksi: (09) 2510 7100 Tel: 010 400 430 Fax: (09) 2510 7100
Sverige	Black & Decker AB Fabriksq. 7, 412 50 Göteborg	Tel: 031-68 60 60 Fax: 031-68 60 80
Türkiye	İntratek Mühendislik ve Dış Tic. A.Ş. Atatürk Mah. Girne Cad. No. 45 34750 Küçükbakkalköy Kadıköy İstanbul	Tel. 0216 456 60 60 Faks 0216 456 60 84
United Kingdom	Black & Decker 210 Bath Road Slough, Berkshire SL1 3YD	Tel. 01753 511234 Fax 01753 551155 Helpline 01753 574277
Middle East & Africa	Black & Decker (Overseas) A.G. PB 5420, Dubai, United Arab Emirates	Tel. +971 4 2826464 Fax +971 4 2826466