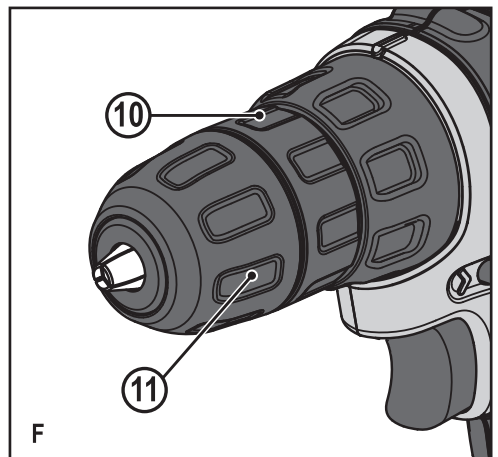
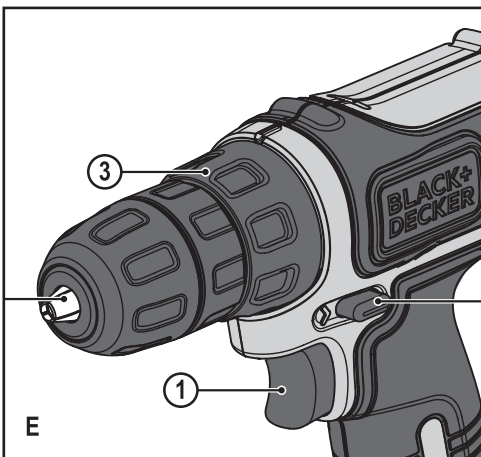
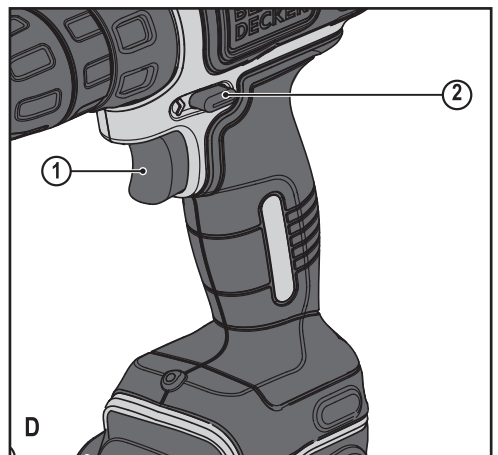
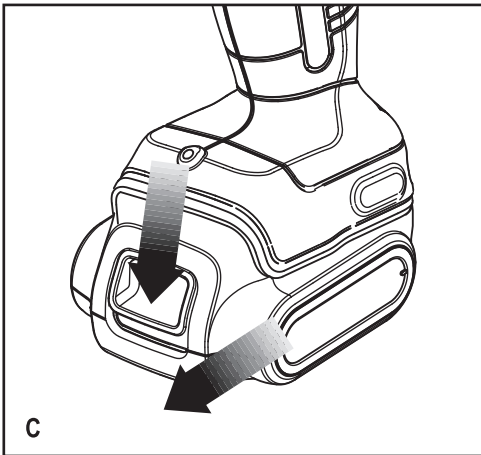
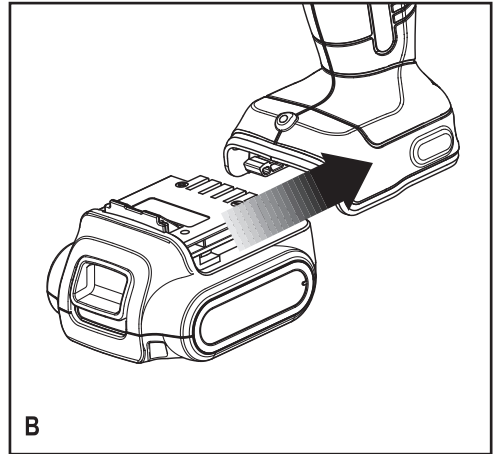
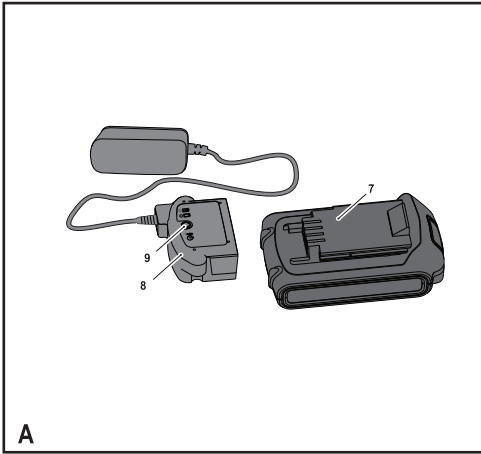


English	(Original instructions)	4
Deutsch	(Übersetzung der Originalanleitung)	11
Français	(Traduction des instructions d'origine)	19
Česky	(Přeloženo z původního návodu)	27
Magyar	(Fordítás az eredeti kezelési utasítás alapján készült)	35
Polski	(Tłumaczenie oryginalnej instrukcji)	43
Slovenčina	(Preložené z pôvodného návodu)	51
Русский язык	(Перевод с оригинала инструкции)	59
Українська	(Переклад оригінальних інструкцій)	70
Türkçe	(Çevirisi orijinal talimatlardan yapılmıştır)	80



Intended use

Your BLACK+DECKER BDCDD12 - Drill, has been designed for screwdriving applications and for drilling in wood, metal and plastics. This tool is intended for consumer use only.

Safety instructions

General power tool safety warnings



Warning! Read all safety warnings and all instructions. Failure to follow the warnings and instructions listed below may result in electric shock, fire and/or serious injury.

Save all warnings and instructions for future reference. The term “power tool” in all of the warnings listed below refers to your mains operated (corded) power tool or battery operated (cordless) power tool.

1. Work area safety

- a. **Keep work area clean and well lit.** Cluttered or dark areas invite accidents.
- b. **Do not operate power tools in explosive atmospheres, such as in the presence of flammable liquids, gases or dust.** Power tools create sparks which may ignite the dust or fumes.
- c. **Keep children and bystanders away while operating a power tool.** Distractions can cause you to lose control.

2. Electrical safety

- a. **Power tool plugs must match the outlet. Never modify the plug in any way. Do not use any adapter plugs with earthed (grounded) power tools.** Unmodified plugs and matching outlets will reduce risk of electric shock.
- b. **Avoid body contact with earthed or grounded surfaces such as pipes, radiators, ranges and refrigerators.** There is an increased risk of electric shock if your body is earthed or grounded.
- c. **Do not expose power tools to rain or wet conditions.** Water entering a power tool will increase the risk of electric shock.
- d. **Do not abuse the cord. Never use the cord for carrying, pulling or unplugging the power tool. Keep cord away from heat, oil, sharp edges or moving parts.** Damaged or entangled cords increase the risk of electric shock.
- e. **When operating a power tool outdoors, use an extension cord suitable for outdoor use.**

Use of a cord suitable for outdoor use reduces the risk of electric shock.

- f. **If operating a power tool in a damp location is unavoidable, use a residual current device (RCD) protected supply.** Use of an RCD reduces the risk of electric shock.

3. Personal safety

- a. **Stay alert, watch what you are doing and use common sense when operating a power tool. Do not use a power tool while you are tired or under the influence of drugs, alcohol or medication.** A moment of inattention while operating power tools may result in serious personal injury.
 - b. **Use personal protective equipment. Always wear eye protection.** Protective equipment such as dust mask, non-skid safety shoes, hard hat, or hearing protection used for appropriate conditions will reduce personal injuries.
 - c. **Prevent unintentional starting. Ensure the switch is in the off-position before connecting to power source and/or battery pack, picking up or carrying the tool.** Carrying power tools with your finger on the switch or energising power tools that have the switch on invites accidents.
 - d. **Remove any adjusting key or wrench before turning the power tool on.** A wrench or a key left attached to a rotating part of the power tool may result in personal injury.
 - e. **Do not overreach. Keep proper footing and balance at all times.** This enables better control of the power tool in unexpected situations.
 - f. **Dress properly. Do not wear loose clothing or jewellery. Keep your hair, clothing and gloves away from moving parts.** Loose clothes, jewellery or long hair can be caught in moving parts.
 - g. **If devices are provided for the connection of dust extraction and collection facilities, ensure these are connected and properly used.** Use of dust collection can reduce dust-related hazards.
- #### 4. Power tool use and care
- a. **Do not force the power tool. Use the correct power tool for your application.** The correct power tool will do the job better and safer at the rate for which it was designed.
 - b. **Do not use the power tool if the switch does not turn it on and off.** Any power tool

that cannot be controlled with the switch is dangerous and must be repaired.

- c. **Disconnect the plug from the power source and/or the battery pack from the power tool before making any adjustments, changing accessories, or storing power tools.** Such preventive safety measures reduce the risk of starting the power tool accidentally.
- d. **Store idle power tools out of the reach of children and do not allow persons unfamiliar with the power tool or these instructions to operate the power tool.** Power tools are dangerous in the hands of untrained users.
- e. **Maintain power tools. Check for misalignment or binding of moving parts, breakage of parts and any other condition that may affect the power tools operation. If damaged, have the power tool repaired before use.** Many accidents are caused by poorly maintained power tools.
- f. **Keep cutting tools sharp and clean.** Properly maintained cutting tools with sharp cutting edges are less likely to bind and are easier to control.
- g. **Use the power tool, accessories and tool bits etc. in accordance with these instructions, taking into account the working conditions and the work to be performed.** Use of the power tool for operations different from those intended could result in a hazardous situation.

5. Battery tool use and care

- a. **Recharge only with the charger specified by the manufacturer.** A charger that is suitable for one type of battery pack may create a risk of fire when used with another battery pack.
- b. **Use power tools only with specifically designated battery packs.** Use of any other battery packs may create a risk of injury and fire.
- c. **When battery pack is not in use, keep it away from other metal objects, like paper clips, coins, keys, nails, screws, or other small metal objects, that can make a connection from one terminal to another.** Shorting the battery terminals together may cause burns or a fire.
- d. **Under abusive conditions, liquid may be ejected from the battery; avoid contact.**

If contact accidentally occurs, flush with water. If liquid contacts eyes, additionally seek medical help. Liquid ejected from the battery may cause irritation or burns.

6. Service

- a. **Have your power tool serviced by a qualified repair person using only identical replacement parts.** This will ensure that the safety of the power tool is maintained.

Additional power tool safety warnings



Warning! Additional safety warnings for drills

- ◆ **Use auxiliary handles supplied with the tool.** Loss of control can cause personal injury.
- ◆ **Hold power tool by insulated gripping surfaces when performing an operation where the cutting accessory may contact hidden wiring.** Cutting accessory contacting a “live” wire may make exposed metal parts of the power tool “live” and could give the operator an electric shock.
- ◆ **Hold power tool by insulated gripping surfaces, when performing an operation where the fastener may contact hidden wiring.** Fasteners contacting a “live” wire may make exposed metal parts of the power tool “live” and could give the operator an electric shock.
- ◆ **Use clamps or another practical way to secure and support the workpiece to a stable platform.** Holding the work by hand or against your body leaves it unstable and may lead to loss of control.
- ◆ Before drilling into walls, floors or ceilings, check for the location of wiring and pipes.
- ◆ Avoid touching the tip of a drill bit just after drilling, as it may be hot.
- ◆ The intended use is described in this instruction manual. The use of any accessory or attachment or performance of any operation with this tool other than those recommended in this instruction manual may present a risk of personal injury and/or damage to property.

Safety of others

- ◆ This tool is not intended for use by persons (including children) with reduced physical, sensory or mental capabilities, or lack of experience and knowledge, unless they

have been given supervision or instruction concerning use of the tool by a person responsible for their safety.

- ◆ Children should be supervised to ensure that they do not play with the appliance.

Residual risks

Additional residual risks may arise when using the tool which may not be included in the enclosed safety warnings. These risks can arise from misuse, prolonged use etc.

Even with the application of the relevant safety regulations and the implementation of safety devices, certain residual risks can not be avoided. These include:

- ◆ Injuries caused by touching any rotating/moving parts.
- ◆ Injuries caused when changing any parts, blades or accessories.
- ◆ Injuries caused by prolonged use of a tool. When using any tool for prolonged periods ensure you take regular breaks.
- ◆ Impairment of hearing.
- ◆ Health hazards caused by breathing dust developed when using your tool (example:- working with wood, especially oak, beech and MDF.)

Vibration

The declared vibration emission values stated in the technical data and the declaration of conformity have been measured in accordance with a standard test method provided by EN 60745 and may be used for comparing one tool with another. The declared vibration emission value may also be used in a preliminary assessment of exposure.

Warning! The vibration emission value during actual use of the power tool can differ from the declared value depending on the ways in which the tool is used. The vibration level may increase above the level stated.

When assessing vibration exposure to determine safety measures required by 2002/44/EC to protect persons regularly using power tools in employment, an estimation of vibration exposure should consider, the actual conditions of use and the way the tool is used, including taking account of all parts of the operating cycle such as the times when the tool is switched off and when it is running idle in addition to the trigger time.

Labels on tool


The following symbols are shown on the tool along with the date code:



Warning! To reduce the risk of injury, the user must read the instruction manual.

Additional safety instructions for batteries and chargers (Not provided with the tool)

Batteries

- ◆ Never attempt to open for any reason.
 - ◆ Do not expose the battery to water.
 - ◆ Do not store in locations where the temperature may exceed 40 °C.
 - ◆ Charge only at ambient temperatures between 10 °C and 40 °C.
 - ◆ Charge only using the charger provided with the tool.
 - ◆ When disposing of batteries, follow the instructions given in the section "Protecting the environment".
-  Do not attempt to charge damaged batteries.

Chargers

- ◆ Use your BLACK+DECKER charger only to charge the battery in the tool with which it was supplied. Other batteries could burst, causing personal injury and damage.
- ◆ Never attempt to charge non-rechargeable batteries.
- ◆ Have defective cords replaced immediately.
- ◆ Do not expose the charger to water.
- ◆ Do not open the charger.
- ◆ Do not probe the charger.



The charger is intended for indoor use only.



Read the instruction manual before use.

Electrical safety



Your charger is double insulated; therefore no earth wire is required. Always check that the mains voltage corresponds to the voltage on the rating plate. Never attempt to replace the charger unit with a regular mains plug.

- ◆ If the supply cord is damaged, it must be replaced by the manufacturer or an authorised BLACK+DECKER Service Centre in order to avoid a hazard.

Features

This tool includes some or all of the following features.

1. Variable speedswitch
2. Forward/reverse slider
3. Torque adjustment collar
4. Keyless chuck
5. Battery
6. Battery release button
7. Charger

Assembly

Use

Warning! Let the tool work at its own pace. Do not overload.

Charging the battery (fig. A)

The battery needs to be charged before first use and whenever it fails to produce sufficient power on jobs that were easily done before. The battery may become warm while charging; this is normal and does not indicate a problem.

Warning! Do not charge the battery at ambient temperatures below 10 °C or above 40 °C. Recommended charging temperature: approx. 24 °C.

Note: The charger will not charge a battery if the cell temperature is below approximately 10 °C or above 40 °C. The battery should be left in the charger and the charger will begin to charge automatically when the cell temperature warms up or cools down.

- ◆ Plug the charger (8) into any standard 230 Volts 50 Hz electrical outlet.
- ◆ Slide the battery pack into the charger as shown in figure A.
- ◆ The green LED (9) will flash indicating that the battery is being charged.
- ◆ The completion of charge is indicated by the green LED remaining on continuously. The pack is fully charged and may be used at this time or left on the charger.

Warning! Do not use tool while it is connected to the charger.

Warning! Fire hazard. When disconnecting the charger from the tool, be sure to unplug the charger from the outlet first, then disconnect the charger cord from the tool.

Installing and removing the battery pack from the tool (fig. B)

Warning! Make certain the lock-off button is engaged to prevent switch actuation before

removing or installing battery. To install battery pack:

- ◆ Insert battery pack into tool, until an audible click is heard (fig. B)

Removing the battery pack from the tool (fig. C)

- ◆ Depress the battery release button as shown in (fig. C) and pull battery pack out of tool.

Operating Instructions


Trigger switch & reversing button (fig. D)

- ◆ The drill is turned ON and OFF by pulling and releasing the trigger switch (1). The farther the trigger is depressed, the higher the speed of the drill operates at
- ◆ A forward/reverse control button (2) determines the direction of the tool and also serves as a lock off button.
- ◆ To select forward rotation, release the trigger switch and depress the forward/reverse control button to the left.
- ◆ To select reverse, depress the forward/reverse control button the opposite direction.
- ◆ To lock the tool, set the forward/reverse slider into the centre position.

Note! The center position of the control button locks the tool in the off position. When changing the position of the control button, be sure the trigger is released.

Torque control (fig. E)

This tool is fitted with a torque adjustment collar (3) to select the operating mode and to set the torque for tightening screws. Large screws and hard workpiece materials require a higher torque setting than small screws and soft workpiece materials.

- ◆ For drilling, set the collar to the drilling position symbol .
- ◆ For screwdriving, set the collar to the desired setting. If you do not yet know the appropriate setting, proceed as follows:
 - ◆ Set the collar to the lowest torque setting.
 - ◆ Tighten the first screw.
 - ◆ If the clutch ratchets before the desired result is achieved, increase the collar setting and continue tightening the screw. Repeat until you reach the correct setting. Use this setting for the remaining screws

Keyless chuck (fig. F)

Warning! Make certain the lock-off button is

engaged to prevent switch actuation before installing or removing accessories. To insert a drill bit or other accessory:

- ◆ Grasp the rear half of the chuck (10) with one hand and use your other hand to rotate the front half (11) in the counterclockwise direction, as viewed from the chuck end.
- ◆ Insert the bit or other accessory fully into the chuck, and tighten securely by holding the rear half of the chuck and rotating the front portion in the clockwise direction as viewed from the chuck end.

Warning! Do not attempt to tighten drill bits (or any other accessory) by gripping the front part of the chuck and turning the tool on. Damage to the chuck and personal injury may occur when changing accessories.

Drilling/screwdriving

- ◆ Select forward or reverse rotation using the forward/reverse slider (2).
- ◆ To switch the tool on, press the switch (1). The tool speed depends on how far you press the switch.
- ◆ To switch the tool off, release the switch.

Hints for optimum use

Drilling

- ◆ Always apply a light pressure in a straight line with the drill bit.
- ◆ Just before the drill tip breaks through the other side of the workpiece, decrease pressure on the tool.
- ◆ Use a block of wood to back up workpieces that may splinter.
- ◆ Use spade bits when drilling large diameter holes in wood.
- ◆ Use HSS drill bits when drilling in metal.
- ◆ Use masonry bits when drilling in soft masonry.
- ◆ Use a lubricant when drilling metals other than cast iron and brass.
- ◆ Make an indentation using a centre punch at the centre of the hole to be drilled in order to improve accuracy.

Screwdriving

- ◆ Always use the correct type and size of screwdriver bit.
- ◆ If screws are difficult to tighten, try applying a small amount of washing liquid or soap as a lubricant.

- ◆ Always hold the tool and screwdriver bit in a straight line with the screw

Troubleshooting

Problem	Possible cause	Possible solution
Unit will not start.	Battery pack not charged.	Check battery pack charging requirements
Battery pack will not charge.	Charger not plugged in.	Plug charger into a working outlet.
	Surrounding air temperature too hot or too cold.	Move charger and battery pack to a surrounding air temperature of above 40 degrees F (45 °C) or below 105 degrees F (+40.5 °C)
Unit shuts off abruptly.	Battery pack has reached its maximum thermal limit.	Allow battery pack to cool down.
	Out of charge. (To maximize the life of the battery pack it is designed to shutoff abruptly when the charge is depleted)	Place on charger and allow to charge.

Maintenance

Your BLACK+DECKER tool has been designed to operate over a long period of time with a minimum of maintenance. Continuous satisfactory operation depends upon proper tool care and regular cleaning.

Your charger does not require any maintenance apart from regular cleaning.

Warning! Before performing any maintenance on the tool, remove the battery from the tool. Unplug the charger before cleaning it.

- ◆ Regularly clean the ventilation slots in your tool and charger using a soft brush or dry cloth.
- ◆ Regularly clean the motor housing using a damp cloth. Do not use any abrasive or solvent-based cleaner.
- ◆ Regularly open the chuck and tap it to remove any dust from the interior.

Protecting the environment



Separate collection. This product must not be disposed of with normal household waste.

Should you find one day that your BLACK+DECKER product needs replacement, or if it is of no further use to you, do not dispose of it with household waste. Make this product available for separate collection.



Separate collection of used products and packaging allows materials to be recycled and used again. Re-use of recycled materials helps prevent environmental pollution and reduces the demand for raw materials.

Local regulations may provide for separate collection of electrical products from the household, at municipal waste sites or by the retailer when you purchase a new product.

BLACK+DECKER provides a facility for the collection and recycling of BLACK+DECKER products once they have reached the end of their working life. To take advantage of this service please return your product to any authorised repair agent who will collect them on our behalf.

You can check the location of your nearest authorised repair agent by contacting your local BLACK+DECKER office at the address indicated in this manual. Alternatively, a list of authorised BLACK+DECKER repair agents and full details of our after-sales service and contacts are available on the Internet at: www.2helpU.com.

Batteries



There are no user servicable parts inside.

- ◆ At the end of your products life return the whole unit to your service agent or to a local recycling station to have the battery recycled. Do not throw the unit out with household waste.

Technical data

BDCDD12	
Voltage	V_{DC} 10.8
No-load speed	Min^{-1} 0-550rpm
Max. torque	Nm 12.5/26
Chuck capacity	mm 1-10
Max Drilling capacity	
Steel/wood	mm 10/25
Weight	kg 0.98

Charger 90589867	
Input voltage	V_{AC} 230
Output voltage	V_{DC} 10.8
Current	mA 200
Approx. charge time	Hours 8

Charger 90590287-02	
Input voltage	V_{AC} 230
Output voltage	V_{DC} 10.8
Current	mA 400
Approx. charge time	Hours 3 - 5

Charger 90599854-06	
Input voltage	V_{AC} 230
Output voltage	V_{DC} 10.8
Current	Amp 1
Approx. charge time	Hours 1.5

Battery BL1512	
Voltage	V_{AC} 10.8
Capacity	Ah 1.5
Type	Li-Ion

Level of sound pressure according to EN 60745:	
Sound pressure (L_{pA})	63 dB(A), uncertainty (K) 3 dB(A), Sound power (L_{WA}) 74 dB(A), uncertainty (K) 3 dB(A)

Vibration total values (triax vector sum) according to EN 60745:

Drilling into metal ($a_{h,D}$)	<2.5 m/s ² , uncertainty (K) 1.5 m/s ² , Screwdriving without impact (a_h)
	<2.5 m/s ² , uncertainty (K) 1.5 m/s ²

EC declaration of conformity

MACHINERY DIRECTIVE



BDCDD12 - Drill, Screwdriver

Black & Decker declares that these products described under "technical data" are in compliance with: 2006/42/EC, EN 60745-1, EN 60745-2-1, EN 60745-2-2.

These products also comply with Directive 2004/108/EC (until 19/04/2016) 2014/30/EU (from 20/04/2016) and 2011/65/EU. For more information, please contact Black & Decker at the following address or refer to the back of the manual.

The undersigned is responsible for compilation of the technical file and makes this declaration on behalf of Black & Decker.

R. Laverick
Engineering Manager
Black & Decker Europe
210 Bath Road, Slough
Berkshire, SL1 3YD
United Kingdom
14/07/2015

To claim on the guarantee, you will need to submit proof of purchase to the seller or an authorised repair agent. You can check the location of your nearest authorised repair agent by contacting your local Black & Decker office at the address indicated in this manual. Alternatively, a list of authorised Black & Decker repair agents and full details of our aftersales service and contacts are available on the Internet at: www.2helpU.com.

Please visit our website

www.blackanddecker.co.uk to register your new BLACK+DECKER product and to be kept up to date on new products and special offers. Further information on the BLACK+DECKER brand and our range of products is available at www.blackanddecker.co.uk.

Guarantee

Black & Decker is confident of the quality of its products and offers an outstanding guarantee. This guarantee statement is in addition to and in no way prejudices your statutory rights. The guarantee is valid within the territories of the Member States of the European Union and the European Free Trade Area.

If a Black & Decker product becomes defective due to faulty materials, workmanship or lack of conformity, within 24 months from the date of purchase, Black & Decker guarantees to replace defective parts, repair products subjected to fair wear and tear or replace such products to ensure minimum inconvenience to the customer unless:

- ◆ The product has been used for trade, professional or hire purposes;
- ◆ The product has been subjected to misuse or neglect;
- ◆ The product has sustained damage through foreign objects, substances or accidents;
- ◆ Repairs have been attempted by persons other than authorised repair agents or Black & Decker service staff.

Bestimmungsgemäße Verwendung

Ihre BLACK+DECKER BDCDD12 Bohrmaschine ist für Schraub- und Bohrarbeiten in Holz, Metall und Kunststoff ausgelegt. Dieses Gerät ist nicht für den gewerblichen Einsatz vorgesehen

Sicherheitshinweise

Allgemeine Sicherheitswarnhinweise für Elektrowerkzeuge



Warnung! Lesen Sie sämtliche Sicherheitswarnungen und Anweisungen. Das Nichtbeachten der unten aufgeführten Warnhinweise und Anweisungen kann zu elektrischem Schlag, Brand und/oder schweren Verletzungen führen.

Bewahren Sie alle Warnhinweise und Anweisungen zum späteren Nachschlagen auf. Der Begriff „Elektrowerkzeug“ in den unten aufgeführten Warnhinweisen bezieht sich auf Ihr netzbetriebenes (kabelgebundenes) Elektrowerkzeug oder auf Ihr akkubetriebenes (kabelloses) Elektrowerkzeug.

1. **Sicherheit im Arbeitsbereich**
 - a. **Halten Sie Ihren Arbeitsbereich sauber, und sorgen Sie für ausreichende Beleuchtung.** Unordnung oder dunkle Arbeitsbereiche können zu Unfällen führen.
 - b. **Betreiben Sie das Elektrowerkzeug nicht in explosionsgefährdeten Umgebungen, in denen sich z. B. brennbare Flüssigkeiten, Gase oder Staub befinden.** Geräte erzeugen Funken, die den Staub oder die Dämpfe entzünden können.
 - c. **Halten Sie Kinder und Zuschauer fern, während Sie ein Elektrowerkzeug betreiben.** Bei Ablenkung können Sie die Kontrolle verlieren.
 2. **Elektrische Sicherheit**
 - a. **Der Stecker des Elektrowerkzeugs muss in die Steckdose passen. Der Stecker darf in keiner Weise verändert werden. Verwenden Sie keinerlei Adapterstecker an geerdeten Elektrowerkzeugen.** Unveränderte Stecker und passende Steckdosen verringern das Risiko eines elektrischen Schlags.
 - b. **Vermeiden Sie Körperkontakt mit geerdeten Flächen, wie Rohre, Radiatoren, Herde und Kühlgeräte.** Wenn Ihr Körper geerdet ist, besteht ein erhöhtes Risiko eines elektrischen Schlags.
 - c. **Setzen Sie Elektrowerkzeuge keinem Regen oder feuchter Umgebung aus.** Wenn Wasser in das Elektrowerkzeug eindringt, erhöht sich die Gefahr eines elektrischen Schlages.
 - d. **Überlasten Sie das Kabel nicht. Verwenden Sie niemals das Kabel, um das Elektrowerkzeug zu tragen oder durch Ziehen vom Netz zu trennen. Halten Sie das Kabel fern von Hitze, Öl, scharfen Kanten oder sich bewegenden Teilen.** Beschädigte oder verwickelte Kabel erhöhen das Risiko eines elektrischen Schlags.
 - e. **Wenn Sie ein Elektrowerkzeug im Freien betreiben, verwenden Sie ein für den Außeneinsatz geeignetes Verlängerungskabel.** Die Verwendung eines für den Außenbereich geeigneten Verlängerungskabels verringert das Risiko eines elektrischen Schlags.
 - f. **Wenn der Betrieb eines Elektrowerkzeugs in feuchter Umgebung unumgänglich ist, verwenden Sie eine durch einen Fehlerstromschutzschalter (FI-Schalter oder RCD) geschützte Stromversorgung.** Die Verwendung eines Fehlerstromschutzschalters verringert das Risiko eines elektrischen Schlags.
3. **Persönliche Sicherheit**
 - a. **Seien Sie aufmerksam, achten Sie darauf, was Sie tun, und gehen Sie mit Vernunft an die Arbeit mit einem Elektrowerkzeug. Benutzen Sie das Gerät nicht, wenn Sie müde sind oder unter dem Einfluss von Drogen, Alkohol oder Medikamenten stehen.** Ein Moment der Unachtsamkeit beim Betrieb eines Elektrowerkzeugs kann zu schweren Verletzungen führen.
 - b. **Verwenden Sie eine geeignete Schutzausrüstung. Tragen Sie stets einen Augenschutz.** Schutzausrüstung wie Staubmaske, rutschfeste Sicherheitsschuhe, Schutzhelm oder Gehörschutz, je nach Art und Einsatz des Geräts, verringert das Risiko von Verletzungen.
 - c. **Vermeiden Sie unbeabsichtigtes Starten. Vergewissern Sie sich, dass der Schalter in der AUS-Position ist, bevor Sie das Gerät an die Stromversorgung und/oder an den Akku anschließen oder wenn Sie das Gerät aufnehmen oder tragen.** Wenn Sie beim Tragen des Elektrowerkzeugs den Finger am

Schalter haben oder das Gerät eingeschaltet an die Stromversorgung anschließen, kann dies zu Unfällen führen.

- d. **Entfernen Sie alle Einstell- oder Schraubenschlüssel, bevor Sie das Elektrowerkzeug einschalten.** Werkzeuge oder Schlüssel, die an rotierenden Teilen des Elektrowerkzeugs angebracht sind, können zu Verletzungen führen.
 - e. **Nicht zu weit nach vorne strecken. Achten Sie auf einen sicheren Stand, um in jeder Arbeitsposition das Gleichgewicht zu halten.** Dadurch können Sie das Gerät in unerwarteten Situationen besser unter Kontrolle halten.
 - f. **Tragen Sie geeignete Kleidung. Tragen Sie keine weite Kleidung oder Schmuck. Halten Sie Haare, Kleidung und Handschuhe fern von sich bewegenden Teilen.** Weite Kleidung, Schmuck oder lange Haare können von sich bewegenden Teilen erfasst werden.
 - g. **Wenn Geräte für den Anschluss an eine Staubabsaugung und Staubsammlung vorgesehen sind, vergewissern Sie sich, dass diese richtig angeschlossen sind und verwendet werden.** Das Verwenden einer Staubfangvorrichtung verringert Gefährdungen durch Staub.
- 4. Gebrauch und Pflege von Elektrowerkzeugen**
- a. **Überlasten Sie das Elektrowerkzeug nicht. Verwenden Sie das für Ihre Arbeit passende Elektrowerkzeug.** Durch das Arbeiten in dem für das Gerät angegebenen Leistungsbereich erzielen Sie nicht nur optimale Ergebnisse, Sie erhöhen auch die Sicherheit.
 - b. **Benutzen Sie kein Elektrowerkzeug, dessen Schalter defekt ist.** Ein Gerät, das sich nicht mehr ein- oder ausschalten lässt, ist gefährlich und muss repariert werden.
 - c. **Trennen Sie den Stecker vom Netz und/ oder die Akkus vom Elektrowerkzeug, bevor Sie Einstellungen am Gerät vornehmen, Zubehör wechseln oder es aufbewahren.** Diese Vorsichtsmaßnahmen mindern die Gefahr, dass das Elektrowerkzeug unbeabsichtigt startet.
 - d. **Bewahren Sie nicht verwendete Elektrowerkzeuge für Kinder unerreichbar auf und lassen Sie nicht zu, dass Personen**

ohne Erfahrung mit dem Elektrowerkzeug oder mit diesen Anweisungen das Elektrowerkzeug bedienen.

- Elektrowerkzeuge sind in den Händen nicht geschulter Personen gefährlich.
- e. **Elektrowerkzeuge müssen gewartet werden. Prüfen Sie, ob bewegliche Teile verzogen oder ausgeschlagen, ob Teile gebrochen oder in einem anderen Zustand sind, der den Betrieb des Elektrowerkzeugs beeinträchtigen kann. Bei Beschädigungen lassen Sie das Elektrowerkzeug reparieren, bevor Sie es verwenden.** Viele Unfälle entstehen wegen mangelnder Wartung der Elektrowerkzeuge.
 - f. **Halten Sie die Schneidwerkzeuge scharf und sauber.** Sorgfältig gepflegte Schneidwerkzeuge mit scharfen Schneidkanten verklemmen sich seltener und sind leichter zu führen.
 - g. **Verwenden Sie Elektrowerkzeuge, Zubehör und Einsätze (Bits) usw. gemäß diesen Anweisungen und unter Berücksichtigung der Arbeitsbedingungen und der Aufgabe.** Wenn Sie das Elektrowerkzeug für Aufgaben verwenden, die nicht bestimmungsgemäß sind, kann dies zu gefährlichen Situationen führen.
- 5. Gebrauch und Pflege von akkubetriebenen Geräten**
- a. **Laden Sie den Akku nur mit dem vom Hersteller vorgesehenen Ladegerät auf.** Die Verwendung von Ladegeräten, die für eine andere Art von Akku bestimmt sind, kann dazu führen, dass sich der Akku beim Laden entzündet.
 - b. **Verwenden Sie Elektrowerkzeuge nur mit den für sie vorgesehenen Akkus.** Die Verwendung anderer Akkus kann zu Verletzungen oder Bränden führen.
 - c. **Halten Sie den nicht benutzten Akku fern von Büroklammern, Münzen, Schlüsseln, Nägeln, Schrauben oder anderen kleinen Metallgegenständen, die eine Überbrückung der Kontakte verursachen könnten.** Bei einem Kurzschluss der Akkuanschlüsse besteht Verbrennungs- oder Feuergefahr.
 - d. **Durch unsachgemäßen Gebrauch können Flüssigkeiten aus Batterien austreten. Berühren Sie diese nicht! Sollten Sie dennoch unbeabsichtigt mit diesen in**

Berührung kommen, waschen Sie die betroffenen Stellen sofort mit reichlich Wasser ab. Suchen Sie sofort einen Arzt auf, wenn die Flüssigkeit in Kontakt mit Ihren Augen gekommen ist. Flüssigkeiten aus Akkus können Hautreizungen oder Verbrennungen hervorrufen.

6. Service

- a. **Lassen Sie Ihr Elektrowerkzeug nur von qualifiziertem Fachpersonal und nur mit Original- Ersatzteilen reparieren.** So wird gewährleistet, dass die Sicherheit des Geräts erhalten bleibt.

Zusätzliche Sicherheitswarnhinweise für Elektrowerkzeuge



Warnung! Zusätzliche Sicherheitswarnungen für Bohrmaschinen

- ◆ **Verwenden Sie die mitgelieferten Zusatzgriffe.** Wenn Sie die Kontrolle über das Gerät verlieren, kann dies zu Verletzungen führen.
- ◆ **Halten Sie das Elektrowerkzeug an den isolierten Griffflächen, wenn Arbeiten durchgeführt werden, bei denen das Schneidgerät versteckte Leitungen berühren könnte.** Der Kontakt des Schneidewerkzeugs mit einer spannungsführenden Leitung kann auch metallene Werkzeugteile unter Spannung setzen und zu einem elektrischen Schlag führen.
- ◆ **Halten Sie das Gerät an den isolierten Griffflächen fest, wenn Sie Arbeiten ausführen, bei denen verdeckte Kabel beschädigt werden könnten.** Der Kontakt mit stromführenden Leitungen kann auch offenliegende Metallteile am Gerät unter Strom setzen und zu einem Stromschlag führen.
- ◆ **Fixieren Sie das Werkstück mit Zwingen oder ähnlichen Hilfsmitteln auf einer stabilen Oberfläche.** Ein Werkstück, das mit der Hand oder gegen den Körper gehalten wird, ist unzureichend befestigt und kann leicht außer Kontrolle geraten.
- ◆ Prüfen Sie vor dem Bohren in Wände, Fußböden oder Decken diese Stellen auf dahinterliegende Kabel oder Rohre.
- ◆ Berühren Sie die Spitze des Bohreinsatzes nicht unmittelbar nach dem Bohren, da diese heiß sein kann.

- ◆ In dieser Anleitung ist die bestimmungsgemäße Verwendung beschrieben. Das Verwenden anderer als der in dieser Anleitung empfohlenen Vorsatzgeräte und Zubehörteile oder die Ausführung von Arbeiten mit diesem Elektrowerkzeug, die nicht der bestimmungsgemäßen Verwendung entsprechen, können zu Verletzungen und/oder Sachschäden führen.

Sicherheit Dritter

- ◆ Dieses Gerät darf nicht von Personen (einschließlich Kindern) mit eingeschränkten körperlichen, sensorischen oder geistigen Fähigkeiten oder mangelnder Erfahrung und Wissen in Bezug auf dessen Gebrauch bedient werden, es sei denn, sie werden bei der Verwendung des Geräts von einer erfahrenen Person beaufsichtigt oder angeleitet.
- ◆ Lassen Sie nicht zu, dass Kinder mit dem Gerät spielen.

Restrisiken

Bei der Verwendung des Werkzeugs können zusätzliche Restrisiken entstehen, die möglicherweise nicht in den beigelegten Sicherheitswarnhinweisen aufgeführt werden.

Diese Risiken können durch unsachgemäßen Gebrauch, längere Verwendung usw. entstehen. Trotz Beachtung der geltenden Sicherheitsvorschriften und des Einsatzes von Schutzvorrichtungen können bestimmte Restrisiken nicht vermieden werden. Diese werden im Folgenden aufgeführt:

- ◆ Verletzungen durch Berühren rotierender/sich bewegender Teile.
- ◆ Verletzungen durch Auswechseln von Teilen, Sägeblättern oder Zubehörteilen.
- ◆ Verletzungen durch einen längeren Gebrauch des Werkzeugs. Achten Sie bei der Verwendung eines Werkzeugs über einen längeren Zeitraum hinweg darauf, regelmäßige Pausen einzulegen.
- ◆ Hörschäden.
- ◆ Bei der Verwendung Ihres Werkzeugs können durch das Einatmen von Staub Gefahren für die Gesundheit entstehen (Beispiel: Arbeit mit Holz, insbesondere Eiche, Buche und MDF).

Schwingung

Die in den technischen Daten und der Konformitätserklärung angegebenen

Vibrationswerte wurden anhand eines standardisierten und durch EN 60745 festgelegten Prüfverfahrens gemessen und können herangezogen werden, um Werkzeuge miteinander zu vergleichen. Der angegebene Schwingungsemissionswert kann auch in einer vorläufigen Expositionsabschätzung verwendet werden.

Warnung! Der Schwingungsemissionswert während dem eigentlichen Gebrauch des Elektrowerkzeugs kann abhängig von der Verwendungsart des Werkzeugs vom angegebenen Wert abweichen. Das Schwingungsniveau kann das angegebene Niveau überschreiten.

Bei der Beurteilung der Schwingungsbelastung zur Ermittlung der Sicherheitsmaßnahmen gemäß 2002/44/EG, um Personen zu schützen, die regelmäßig Elektrowerkzeuge einsetzen, sollte eine Einschätzung der Schwingungsbelastung die tatsächlichen Nutzungsbedingungen und die Verwendungsart des Werkzeugs berücksichtigen, einschließlich der Berücksichtigung aller Funktionsabläufe wie die Zeiten, zu denen das Werkzeug abgeschaltet wird und in denen es zusätzlich zur Auslösezeit im Leerlauf läuft.

Warnsymbole am Gerät

Am Gerät sind die folgenden Warnsymbole inkl. Datumscode angebracht:



Warnung! Zur Reduzierung der Verletzungsgefahr sollte der Anwender die Betriebsanleitung lesen.

Zusätzliche Sicherheitshinweise für Akkus und Ladegeräte (nicht im Lieferumfang enthalten)

Akkus

- ◆ Auf keinen Fall öffnen.
- ◆ Der Akku darf nicht Wasser ausgesetzt werden.
- ◆ Bewahren Sie ihn nicht an Orten mit Temperaturen über 40 °C auf.
- ◆ Laden Sie ihn nur bei Umgebungstemperaturen zwischen 10 °C und 40 °C.
- ◆ Laden Sie ihn nur mit dem Ladegerät, das mit dem Werkzeug mitgeliefert wurde.
- ◆ Beachten Sie bei der Entsorgung des Akkus die Anweisungen im Abschnitt „Umweltschutz“.



Versuchen Sie nicht, beschädigte Akkus zu laden.

Ladegeräte

- ◆ Verwenden Sie Ihr BLACK+DECKER-Ladegerät nur, um den Akku zu laden, der mit dem Werkzeug mitgeliefert wurde. Andere Akkus können bersten und Verletzungen und Sachschäden verursachen.
- ◆ Versuchen Sie niemals, nicht wiederaufladbare Batterien aufzuladen.
- ◆ Beschädigte Kabel sofort austauschen.
- ◆ Das Ladegerät darf nicht Wasser ausgesetzt werden.
- ◆ Öffnen Sie das Ladegerät nicht.
- ◆ Untersuchen Sie das Ladegerät nicht.



Das Ladegerät ist nur für den Gebrauch in Innenräumen vorgesehen.



Lesen Sie vor der Verwendung die Betriebsanleitung.

Elektrische Sicherheit



Ihr Ladegerät ist doppelt isoliert. Daher ist keine Erdungsleitung erforderlich. Überprüfen Sie immer, dass die Netzspannung der Spannung auf dem Typenschild entspricht. Versuchen Sie niemals, ein Ladegerät durch einen regulären Netzstecker zu ersetzen.

- ◆ Wenn das Stromkabel beschädigt ist, muss es vom Hersteller oder einem autorisierten BLACK+DECKERServicezentrum ersetzt werden, um Gefahren zu vermeiden.

Merkmale

Dieses Werkzeug hat einige oder alle der folgenden Merkmale.

1. Variabler Drehzahlsschalter
2. Vor-/Zurückwahlschalter
3. Drehmomentvorwahl
4. Schnellspannbohrfutter
5. Batterie
6. Akku-Entriegelungstaste
7. Ladegerät

Montage

Verwendung

Warnung! Lassen Sie das Werkzeug in seinem eigenen Rhythmus arbeiten. Überlasten Sie das Werkzeug nicht.

Aufladen des Akkus (Abb. A)

Der Akku muss vor der ersten Verwendung aufgeladen werden und immer dann, wenn er bei Arbeiten, die zuvor ohne Probleme ausgeführt werden konnten, nicht ausreichend Strom erzeugt. Der Akku kann beim Aufladen warm werden. Das ist normal und stellt kein Problem dar.

Warnung! Laden Sie den Akku nicht bei Umgebungstemperaturen unter 10 °C oder über 40 °C auf. Empfohlene Ladetemperatur: circa 24 °C.

Hinweis: Das Ladegerät lädt einen Akku nicht, wenn die Zelltemperatur unter etwa 10 °C oder über 40 °C liegt. Der Akku muss im Ladegerät bleiben und das Ladegerät beginnt automatisch zu laden, wenn die Zelltemperatur ansteigt oder abkühlt.

- ◆ Das Ladegerät (8) in eine Standard-Steckdose stecken (230 Volt 50 Hz).
- ◆ Den Akku wie in Abb. A dargestellt in das Ladegerät schieben.
- ◆ Die grüne LED-Leuchte (9) beginnt zu blinken und zeigt an, dass der Akku geladen wird.
- ◆ Der Abschluss des Ladevorgangs wird dadurch angezeigt, dass das grüne Licht dauerhaft leuchtet. Der Akku ist vollständig aufgeladen und kann jetzt verwendet oder in der Ladestation gelassen werden.

Warnung! Benutzen Sie das Gerät nicht, während es noch mit dem Ladegerät verbunden ist.

Warnung! Brandgefahr. Um das Gerät vom Ladegerät zu trennen muss stets zunächst das Ladegerät aus der Steckdose ausgesteckt und anschließend das Ladekabel vom Gerät getrennt werden.

Einsetzen und Entfernen des Akkus (Abb. B)

Warnung! Die Betriebssperre muss eingerastet sein, damit keine unbeabsichtigte Bedienung des Ein-/Ausschalters vor dem Entfernen bzw. der Installation des Akkus erfolgen kann.

Einsetzen des Akkus:

- ◆ Den Akku in das Gerät einlegen, bis er hörbar einrastet (Abb. B)

Entfernen des Akkus (Abb. C)

- ◆ Die Akku-Entriegelungstaste drücken (wie in Abb. C) und den Akku aus dem Gerät ziehen.

Bedienungsanleitung


Auslöser & Vor/Zurück-Schaltknopf (Abb. D)

- ◆ Die Bohrmaschine wird durch Drücken des Auslösers (1) EIN- und AUSGESCHALTET. Je tiefer der Auslöseschalter gedrückt wird, umso höher ist die Drehzahl der Bohrmaschine.
- ◆ Ein Vor/Zurück-Schaltknopf (2) bestimmt die Drehrichtung und fungiert zudem als Einschaltsperrle.
- ◆ Für die Vorwärtsdrehung lassen Sie den Ein-/Ausschalter los, und drücken den Vor/Zurück-Schaltknopf nach links.
- ◆ Für die Rückwärtsdrehung drücken Sie den Vor/Zurück-Schaltknopf in die entgegengesetzte Richtung.
- ◆ Bewegen Sie den Vor-/Zurückwahlwähler in die mittlere Stellung, um das Gerät zu sperren.

Hinweis! In der mittleren Stellung des Reglers ist das Werkzeug in der AUS-Stellung verriegelt. Achten Sie darauf, dass der Auslöseschalter entriegelt ist, wenn Sie diesen Regler verstellen.

Einstellen des Drehmoments (Abb. E)

Zum Einstellen des Betriebsmodus und des Drehmoments zum Festziehen von Schrauben ist das Gerät mit einer Drehmomentvorwahl (3) ausgestattet. Für große Schrauben und härtere Werkstücke muss ein größeres Drehmoment eingestellt werden als für kleine Schrauben und weiche Werkstücke.

- ◆ Für Bohrarbeiten die Vorwahl auf Bohren mit dem Symbol .
- ◆ Für Schraubarbeiten die Vorwahl auf die gewünschte Einstellung stellen. Sollten Ihnen die jeweils erforderlichen Einstellungen noch nicht bekannt sein, gehen Sie wie folgt vor:
 - ◆ Stellen Sie an der Drehmomentvorwahl das niedrigste Drehmoment ein.
 - ◆ Ziehen Sie mit dieser Einstellung die erste Schraube fest.
 - ◆ Wenn die Einstellung nicht zum gewünschten Ergebnis führt, erhöhen Sie die Drehmomenteinstellung, und fahren Sie fort. Wiederholen Sie diesen Vorgang so lange, bis Sie die richtige Einstellung gefunden haben. Verwenden Sie diese Einstellung auch für die übrigen Schrauben.

Schnellspannbohrfutter (Abb. F)

Warnung! Die Betriebssperre muss eingerastet sein, damit keine unbeabsichtigte Bedienung des Ein-/Ausschalters vor dem Entfernen bzw. der Installation von Zubehör erfolgen kann. So setzen Sie einen Bohreinsatz oder ein anderes Zubehörteil ein:

- ◆ Halten Sie die hintere Hälfte des Bohrfutters (10) mit einer Hand. Verwenden Sie die andere Hand, um die vordere Hälfte (11) gegen den Uhrzeigersinn zu drehen (vom Ende des Bohrfutters aus gesehen).
- ◆ Schieben Sie Einsätze oder sonstige Zubehörteile vollständig in das Bohrfutter und ziehen Sie diese fest an. Halten Sie hierzu die hintere Hälfte des Bohrfutters und drehen Sie die vordere Hälfte im Uhrzeigersinn (vom Ende des Bohrfutters aus gesehen).

Warnung! Versuchen Sie niemals, Bohreinsätze oder andere Zubehörteile festzuziehen, indem Sie den vorderen Teil des Bohrfutters festhalten und das Gerät einschalten. Dabei kann das Bohrfutter beschädigt werden, und es kann zu Verletzungen kommen.

Bohren/Schrauben

- ◆ Wählen Sie mithilfe des Vor-/Zurückwahlschalters (2) die Vorwärts- bzw. Rückwärtsdrehung aus.
- ◆ Drücken Sie zum Einschalten des Geräts den Schalter (1). Die Leistung des Geräts ist davon abhängig, wie tief Sie den Schalter eindrücken.
- ◆ Lassen Sie zum Ausschalten des Geräts den Schalter los.

Tipps für eine optimale Verwendung

Bohren

- ◆ Stets mit leichtem Druck in gerader Linie mit dem Bohreinsatz arbeiten.
- ◆ Verringern Sie den Druck kurz bevor der Bohreinsatz das Werkstück durchbricht.
- ◆ Verwenden Sie einen Holzklötz als Unterlage unter Werkstücken, die möglicherweise splintern.
- ◆ Verwenden Sie Spitzbohrer, wenn Sie Löcher mit großem Durchmesser in Holz bohren.
- ◆ Verwenden Sie HSS-Bohreinsätze zum Bohren in Metall.
- ◆ Verwenden Sie zum Bohren in Mauerwerk einen geeigneten Bohreinsatz.

- ◆ Verwenden Sie ein Schmiermittel, wenn Sie Metalle bohren, bei denen es sich nicht um Gusseisen oder Messing handelt.
- ◆ Erzeugen Sie mithilfe eines Körners eine Vertiefung in der Mitte des zu bohrenden Lochs, um die Genauigkeit der Bohrung zu erhöhen.

Schraubarbeiten

- ◆ Verwenden Sie stets Schraubendrehereinsätze der richtigen Art und Größe.
- ◆ Sollten beim Festziehen von Schrauben Schwierigkeiten auftreten, verwenden Sie etwas Spülmittel oder Seife als Schmiermittel.
- ◆ Halten Sie das Gerät und den Schraubendrehereinsatz stets in gerader Linie zur Schraube.

Problembekämpfung

Problem	Mögliche Ursache	Mögliche Lösung
Gerät startet nicht.	Akku ist nicht aufgeladen.	Prüfen Sie die Anforderungen zum Laden des Akkupacks.
Akkupack lässt sich nicht laden.	Ladegerät ist nicht angeschlossen.	Schließen Sie das Ladegerät an eine funktionierende Steckdose an.
	Umgebungstemperatur ist zu warm oder zu kalt.	Stellen Sie das Ladegerät und den Akkupack an einen Ort mit einer Lufttemperatur von über 4,5 °C (40 °F) oder unter 40,5 °C (105 °F).
Einheit schaltet plötzlich ab.	Der Akku hat seine maximal zulässige Betriebstemperatur erreicht.	Akku abkühlen lassen.
	Keine Ladung mehr. (Zur Verlängerung der Lebensdauer ist der Akkupack so konzipiert, dass er plötzlich abschaltet, wenn seine Kapazität aufgebraucht ist.)	Schließen Sie ihn an das Ladegerät an und lassen Sie ihn laden.

Wartung

Ihr BLACK+DECKER Gerät wurde im Hinblick auf eine lange Lebensdauer und einen möglichst geringen Wartungsaufwand entwickelt. Ein kontinuierlicher, zufriedenstellender Betrieb hängt von der richtigen Pflege des Werkzeugs und seiner regelmäßigen Reinigung ab.

Das Ladegerät benötigt keine Wartung, es sollte jedoch regelmäßig gereinigt werden.

Warnung! Entfernen Sie vor jeglichen Wartungsarbeiten am Gerät den Akku aus dem Gerät. Ziehen Sie den Stecker des Ladegeräts, bevor Sie es reinigen.

- ◆ Reinigen Sie in regelmäßigen Abständen die Lüftungsschlitze in Ihrem Werkzeug und Ladegerät mit einer weichen Bürste oder einem trockenen Tuch.
- ◆ Reinigen Sie in regelmäßigen Abständen das Motorgehäuse mit einem feuchten Tuch. Verwenden Sie kein Scheuermittel oder ein auf Lösungsmittel basierendes Reinigungsmittel.
- ◆ Öffnen Sie regelmäßig das Bohrfutter, und entfernen Sie durch Klopfen Staub aus dem Inneren des Geräts.

Umweltschutz



Getrennte Entsorgung. Dieses Produkt darf keinesfalls mit dem Hausmüll entsorgt werden.

Wenn Sie eines Tages feststellen, dass Ihr BLACK+DECKER-Produkt ersetzt werden muss oder Sie es nicht mehr benötigen, entsorgen Sie es nicht mit dem normalen Haushaltsabfall. Führen Sie das Produkt einer getrennten Sammlung zu.



Durch die getrennte Sammlung von ausgedienten Produkten und Verpackungsmaterialien können Rohstoffe recycelt und wiederverwendet werden. Die Wiederverwendung von Recyclingstoffen hilft, Umweltverschmutzung zu vermeiden, und mindert die Nachfrage nach Rohstoffen.

Die Verordnung zur Abfallentsorgung Ihrer Gemeinde sieht möglicherweise vor, dass Elektrogeräte getrennt vom Hausmüll gesammelt, an der örtlichen Abfallentsorgungseinrichtung abgegeben oder beim Kauf eines neuen Produkts

vom Fachhandel zur Entsorgung angenommen werden müssen.

BLACK+DECKER stellt Möglichkeiten für die Sammlung und das Recycling von BLACK+DECKER-Produkten nach Ablauf des Nutzungszeitraums zur Verfügung. Um diesen Service zu nutzen, bringen Sie Ihr Produkt zu einer autorisierten Kundendienstwerkstatt, die es in unserem Auftrag sammelt.

Die nächstgelegene autorisierte Kundendienststelle erfahren Sie bei Ihrem örtlichen BLACK+DECKER Geschäftsstelle unter der in dieser Betriebsanleitung angegebenen Adresse. Alternativ erhalten Sie eine Liste der autorisierten BLACK+DECKER Kundendienstwerkstätten und vollständige Informationen über unseren Kundendienst im Internet unter: www.2helpU.com.

Akkus



Im Inneren befinden sich keine zu wartenden Teile.

- ◆ Geben Sie defekte Produkte beim Händler oder einer Sammelstelle ab, damit der Akku recycelt werden kann. Entsorgen Sie das Gerät keinesfalls mit dem Hausmüll.

Technische Daten

BDCDD12	
Spannung	V_{DC} 10,8
Leerlaufdrehzahl	Min^{-1} 0-550rpm
Max. Drehmoment	Nm 12,5/26
Größe des Bohrfutters	mm 1-10
Maximale Bohrtiefe	
Stahl/Holz	mm 10/25
Gewicht	kg 0,98

90589867, GB:90621477	
Eingangsspannung	V_{AC} 230
Ausgangsspannung	V_{DC} 10,8
Strom	mA 200
Geschätzte Ladedauer	Stunden 8

90590287-02	
Eingangsspannung	V_{AC} 230
Ausgangsspannung	V_{DC} 10,8
Strom	mA 400
Geschätzte Ladedauer	Stunden 3 - 5

Ladegerät	90599854-06
Eingangsspannung	V_{AC} 230
Ausgangsspannung	V_{DC} 10,8
Strom	Amp 1
Geschätzte Ladedauer	Stunden 1,5

Batterie	BL1512
Spannung	V_{AC} 10,8
Kapazität	Ah 1,5
Typ	Lithium-Ionen

Schalldruckpegel gemäß EN 60745:

Schalldruck (L_{pA}) 63 dB(A), Unsicherheitsfaktor (K) 3 dB(A), Schalldruck (L_{WA}) 74 dB(A), Unsicherheitsfaktor (K) 3 dB(A)

Gesamtschwingungspegel (triaxiale Vektorsumme) gemäß EN 60745:

Metallbohren ($a_{n,D}$) 2,5 m/s², Unsicherheitsfaktor (K) 1,5 m/s², Schraubarbeiten ohne Belastung ($a_{n,}$) <2,5 m/s², Unsicherheitsfaktor (K) 1,5 m/s²

EG-Konformitätserklärung MASCHINENRICHTLINIE



BDCDD12 – Akku-Bohrschrauber

Black & Decker erklärt hiermit, dass die unter „Technische Daten“ beschriebenen Produkte die folgenden Vorschriften erfüllen: 2006/42/EG, EN 60745-1, EN 60745-2-1, EN 60745-2-2.

Diese Produkte erfüllen die Richtlinien 2004/108/EG (bis 19/04/2016), 2014/30/EU (ab 20/04/2016) und 2011/65/EU. Für weitere Informationen wenden Sie sich bitte an Black & Decker unter der folgenden Adresse oder schauen Sie auf der Rückseite dieser Betriebsanleitung nach.

Der Unterzeichnete ist verantwortlich für die Zusammenstellung des technischen Dossiers und gibt diese Erklärung im Namen von Black & Decker ab.

R. Laverick
Engineering Manager
Black & Decker Europe
210 Bath Road, Slough
Berkshire, SL1 3YD
Vereinigtes Königreich
14/07/2015

Garantie

Black & Decker ist sich der Qualität ihrer Produkte bewusst und bietet eine herausragende Garantie. Diese Garantieverklärung gilt als Zusatz und schränkt nicht Ihre gesetzlichen Rechte ein. Diese Garantie gilt innerhalb der Staatsgebiete der Mitgliedstaaten der Europäischen Union und der Europäischen Freihandelszone.

Sollte bei einem Produkt von Black & Decker aufgrund von fehlerhaften Materialien, einer mangelhaften Verarbeitung oder Vertragswidrigkeiten ein Defekt auftreten, garantiert Black & Decker innerhalb von 24 Monaten ab dem Kaufdatum, die beschädigten Teile zu ersetzen, Produkte mit üblicher Abnutzung zu reparieren oder solche zu ersetzen, damit dem Kunden möglichst wenige Unannehmlichkeiten entstehen, außer wenn:

- ◆ Das Produkt für gewerbliche, berufliche Zwecke oder zu Mietzwecken verwendet wurde;
- ◆ Das Produkt falsch oder nachlässig verwendet wurde;
- ◆ Das Produkt aufgrund von Fremdkörpern, Substanzen oder infolge von Unfällen massive Schäden aufweist;
- ◆ Reparaturen von anderen Personen als den Mitarbeitern einer autorisierten Reparaturstelle oder dem Servicepersonal von Black & Decker versucht wurden.

Für die Inanspruchnahme Ihrer Garantieleistung müssen Sie dem Verkäufer oder einem autorisierten Reparaturmitarbeiter Ihren Kaufbeleg vorlegen. Den Standort der nächstgelegenen autorisierten Reparaturstelle erfahren Sie bei Ihrer örtlichen Black & Decker-Geschäftsstelle unter der in dieser Betriebsanleitung angegebenen Adresse. Alternativ erhalten Sie eine Liste der autorisierten Black & Decker-Reparaturstellen und vollständige Informationen über unseren Kundendienst und unsere Ansprechpartner im Internet unter: **www.2helpU.com**.

Besuchen Sie unsere Website **www.blackanddecker.co.uk**, um Ihr neues BLACK+DECKER-Produkt zu registrieren und über neue Produkte und Sonderaktionen auf dem Laufenden gehalten zu werden. Weitere Informationen zur Marke BLACK+DECKER sowie unser Produktsortiment finden Sie auf **www.blackanddecker.de**.

Usage prévu

Votre perceuse BDCDD12 BLACK+DECKER peut visser et percer le bois, le métal et le plastique. Cet outil est conçu pour des particuliers uniquement.

Consignes de sécurité

Consignes de sécurité générales propres aux outils électriques



Avertissement ! Lire tous les avertissements et toutes les consignes de sécurité. Tout manquement au respect des avertissements et des instructions indiqués ci-dessous peut entraîner un choc électrique, un incendie et/ou de graves blessures.

Conservez tous les avertissements et toutes les instructions pour pouvoir vous y référer dans le futur. Le terme « outil électrique » dans tous les avertissements indiqués ci-dessous se rapporte à votre outil alimenté sur secteur (avec cordon) ou à votre outil alimenté par batterie (sans cordon).

1. Sécurité de l'espace de travail

- a. **Maintenez l'aire de travail propre et bien éclairée.** Des sites encombrés ou sombres sont source d'accidents.
- b. **Ne pas utiliser d'outil électrique dans un milieu déflagrant, comme en présence de liquides, gaz ou poussières inflammables.** Les outils électroportatifs provoquent des étincelles risquant d'enflammer les poussières ou les vapeurs.
- c. **Maintenir à l'écart les enfants, ou toute autre personne, lors de l'utilisation d'un outil électrique.** En cas d'inattention, vous risquez de perdre le contrôle.

2. Sécurité électrique

- a. **La fiche électrique de l'outil doit correspondre à la prise murale. Ne modifiez la fiche en aucune façon. N'utilisez pas de fiche d'adaptation avec un outil électrique mis à la terre (masse).** Le respect de ces consignes réduit le risque de choc électrique.
- b. **Éviter tout contact corporel avec des éléments reliés à la terre comme des tuyaux, radiateurs, cuisinières ou réfrigérateurs.** Il y a un risque élevé de choc électrique si votre corps est relié à la terre.

- c. **Ne pas exposer les outils électriques à la pluie ou à l'humidité.** La pénétration d'eau dans un outil électroportatif augmente le risque de choc électrique.
- d. **Ne pas utiliser le cordon de façon abusive. N'utilisez jamais le cordon pour transporter, tirer ou débrancher un outil électrique. Protégez le cordon de toute source de chaleur, de l'huile, et de tout bord tranchant ou pièce mobile.** Des cordons endommagés ou emmêlés augmentent le risque de choc électrique.
- e. **En cas d'utilisation d'un outil électrique à l'extérieur, utiliser systématiquement une rallonge conçue à cet effet.** L'utilisation d'une rallonge électrique homologuée pour les travaux à l'extérieur réduit le risque de choc électrique.
- f. **Si on ne peut éviter d'utiliser un outil électrique en milieu humide, utiliser un circuit protégé par un dispositif de courant résiduel (RCD).** L'utilisation d'un tel dispositif réduit les risques d'électrocution.

3. Sécurité personnelle

- a. **Rester systématiquement vigilant et faire preuve de jugement lors de l'utilisation d'un outil électrique. Ne pas utiliser d'outil électrique en cas de fatigue ou sous l'influence de drogues, d'alcool ou de médicaments.** Un moment d'inattention en utilisant l'outil peut entraîner de graves blessures.
- b. **Portez un équipement de protection individuelle. Portez systématiquement un dispositif de protection oculaire.** Selon le travail à effectuer, le port d'équipement de protection tels que masque anti-poussières, chaussures de sécurité antidérapantes, casque ou protection auditive, réduit le risque de blessures.
- c. **Prévenir tout démarrage accidentel. Assurez-vous que l'interrupteur est en position d'arrêt avant de brancher l'outil sur le secteur et/ou à la batterie, ou de le ramasser ou le transporter.** Transporter un outil le doigt sur l'interrupteur ou brancher un outil électrique alors que l'interrupteur est en position de marche provoque des accidents.
- d. **Retirer toute clé de réglage avant de démarrer l'outil.** Une clé ou un outil se trouvant sur une pièce en rotation peut causer des blessures.

- e. Adoptez une position stable. Maintenez les pieds bien ancrés au sol et conservez votre équilibre en permanence.** Vous contrôlerez ainsi mieux l'outil dans des situations inattendues.
- f. Portez des vêtements appropriés. Ne portez aucun vêtement ample ou bijou. Conserver les cheveux, les vêtements et les gants éloignés des parties mobiles.** Des vêtements amples, des bijoux ou des cheveux longs peuvent être happés par des pièces en mouvement.
- g. Lorsqu'un dispositif de connexion à un système de dépoussiérage ou d'élimination est fourni, s'assurer qu'il est branché et utilisé correctement.** L'utilisation de tels appareils réduit les dangers dus aux poussières.
- 4. Utilisation et entretien des outils électriques**
- a. Ne pas forcer l'outil électrique. Utilisez l'outil approprié au travail en cours.** Avec un outil approprié, vous travaillerez mieux et en toute sécurité.
- b. Ne pas utiliser un outil électrique dont l'interrupteur est défectueux.** Un outil électroportatif qui ne répond pas à la commande marche/arrêt est dangereux et doit être réparé.
- c. Débrancher la fiche du secteur et/ou la batterie de l'outil électrique avant d'effectuer tout réglage, de changer tout accessoire, ou avant de le ranger.** Cette mesure de précaution empêche de mettre l'outil en marche accidentellement.
- d. Après utilisation, ranger les outils électriques hors de portée des enfants et ne permettre à aucune personne non familière avec son fonctionnement (ou sa notice d'instructions) de l'utiliser.** Les outils électroportatifs sont dangereux lorsqu'ils sont utilisés par des personnes non initiées.
- e. Entretenir les outils électriques. Vérifiez les pièces mobiles pour vous assurer qu'elles sont bien alignées et tournent librement, qu'elles sont en bon état et ne sont affectées d'aucune condition susceptible de nuire au bon fonctionnement de l'outil. En cas de dommage, faites réparer l'outil électrique avant toute nouvelle utilisation.** De nombreux accidents sont dus à des outils électroportatifs mal entretenus.
- f. Maintenir tout organe de coupe propre et bien affûté.** Des outils soigneusement entretenus avec des bords tranchants bien aiguisés se coincent moins souvent et peuvent être guidés plus facilement.
- g. Utilisez l'outil électrique, ses accessoires, mèches, etc., conformément aux présentes directives et suivant la manière prévue pour ce type particulier d'outil électrique, en tenant compte des conditions de travail et de la tâche à effectuer.** L'utilisation d'un outil électrique à des fins autres que celles prévues est potentiellement dangereuse.
- 5. Utilisation de la batterie et précautions**
- a. Ne rechargez qu'avec le chargeur proposé par le fabricant.** Un chargeur adapté pour un autre type de bloc batterie peut engendrer un risque d'incendie s'il est utilisé avec un bloc batterie différent.
- b. Utiliser les outils électriques uniquement avec les blocs batterie spécialement conçus.** L'utilisation d'autres blocs batterie peut créer un risque de blessures et d'incendie.
- c. Lorsque le bloc batterie n'est pas utilisé, tenez-le éloigné de tout autre objet métallique, par ex. trombones, pièces de monnaie, clous, vis ou autres petits objets métalliques pouvant réaliser une connexion entre une borne et l'autre.** Un tel court-circuit peut être à l'origine d'un feu ou de brûlures.
- d. En cas d'utilisation abusive, du liquide peut être éjecté de la batterie et il faut éviter tout contact avec ce dernier. En cas de contact accidentel, rincer à l'eau. En cas de contact avec les yeux, consultez un médecin.** Le liquide sortant des batteries peut causer des irritations ou des brûlures.
- 6. Le service**
- a. Faire entretenir les outils électriques par un réparateur qualifié en n'utilisant que des pièces de rechange identiques.** Cela garantira le maintien de la sécurité de l'outil électrique.
- Consignes de sécurité supplémentaires propres aux outils électriques**



Avertissement ! Instructions de sécurité supplémentaires pour les perceuses.

- ◆ **Utilisez les poignées auxiliaires livrées avec l'outil.** La perte de contrôle peut entraîner des blessures.
- ◆ **Tenez l'outil par les surfaces isolées prévues à cet effet pendant toute utilisation où l'accessoire de coupe pourrait entrer en contact avec des fils électriques cachés.** Tout contact de l'accessoire de coupe avec un fil sous tension peut mettre les parties métalliques exposées de l'outil sous tension et provoquer un choc électrique à l'utilisateur.
- ◆ **Tenez l'outil électrique au niveau des surfaces de prise isolées lorsque vous l'utilisez à des endroits où la fixation pourrait entrer en contact avec des fils cachés.** En touchant un fil sous tension, la charge électrique passe dans les parties métalliques de l'outil électroportatif et il y a risque de choc électrique.
- ◆ **Utilisez des pinces ou un autre moyen pratique pour fixer et soutenir l'ouvrage sur une plateforme stable.** Si vous la tenez à la main ou contre votre corps, elle ne sera pas stable et vous pouvez en perdre le contrôle.
- ◆ Avant de percer les murs, les planchers ou les plafonds, vérifiez l'emplacement des câblages et des tuyaux.
- ◆ Évitez de toucher le bout d'un foret juste après avoir percé. Il peut être chaud.
- ◆ L'usage prévu est décrit dans ce manuel d'instructions. L'utilisation d'accessoires ou la réalisation de travaux avec cet outil autres que ceux recommandés dans le présent manuel pourrait entraîner un risque de blessure et/ou de dommages aux équipements.

Sécurité d'autrui

- ◆ Cet outil ne peut être utilisé par des personnes (y compris des enfants) ayant des capacités mentales, sensorielles ou physiques réduites, ou celles manquant d'expérience et de connaissances, à moins qu'elles ne soient encadrées ou qu'elles n'aient été formées à l'utilisation de l'outil par une personne responsable de leur sécurité.
- ◆ Les enfants doivent être surveillés pour s'assurer qu'ils ne jouent pas avec l'appareil.

Risques résiduels

Des risques résiduels supplémentaires peuvent survenir lors de l'utilisation de l'outil qui peuvent ne pas être compris dans les présentes consignes de sécurité. Ces risques peuvent survenir en cas de mauvaise utilisation, d'utilisation prolongée etc.

Même en appliquant les réglementations de sécurité pertinentes et en mettant en oeuvre les dispositifs de sécurité, certains risques résiduels ne peuvent être évités. Ceci comprend :

- ◆ Les blessures provoquées par le contact avec des pièces en rotation/mouvement.
- ◆ Les blessures occasionnées en changeant des pièces, lames ou accessoires.
- ◆ Les blessures provoquées par une utilisation prolongée de l'outil. Assurez-vous de faire des pauses régulières lorsque vous utilisez un outil pour des périodes prolongées.
- ◆ Déficience auditive.
- ◆ Les risques pour la santé causés par la respiration de la poussière créée lors de l'utilisation de l'outil (par exemple le travail du bois, notamment le chêne, le hêtre et les panneaux de fibre.)

Vibration

Les valeurs d'émission de vibrations déclarées dans les données techniques et la déclaration de conformité ont été mesurées selon une méthode de test standard fournie par EN 60745 et peuvent être utilisées pour comparer des outils entre eux. La valeur d'émission de vibrations déclarée peut aussi être utilisée dans une évaluation d'exposition préliminaire.

Avertissement ! La valeur d'émission de vibrations pendant l'utilisation réelle de l'outil peut différer de la valeur déclarée selon la façon dont l'outil est utilisé. Le niveau de vibrations peut augmenter et dépasser le niveau indiqué.

Lors de l'évaluation de l'exposition aux vibrations pour déterminer les mesures de sécurité requises par 2002/44/CE pour protéger les personnes utilisant régulièrement des outils électriques dans un cadre professionnel, une estimation de l'exposition aux vibrations doit prendre en compte les conditions réelles d'utilisation et la façon dont l'outil est utilisé, ce qui comprend la prise en compte de toutes les parties du cycle d'utilisation comme les moments où l'outil est éteint et où il fonctionne à vide en plus du temps d'utilisation.

Étiquettes sur l'appareil

Outre le code de date, les symboles suivants sont apposés sur l'outil :



Avertissement ! Afin de réduire le risque de blessure, lisez la notice d'instructions.

Consignes de sécurité supplémentaires concernant les batteries/piles et les chargeurs (non fournis avec l'outil)

Batteries

- ◆ N'essayez jamais de les ouvrir pour une raison quelconque.
- ◆ N'exposez pas la batterie à l'eau.
- ◆ Ne les rangez pas dans des endroits où la température peut dépasser 40 °C.
- ◆ Ne chargez qu'à des températures ambiantes comprises entre 10 °C et 40 °C.
- ◆ Ne chargez qu'à l'aide du chargeur fourni avec l'outil.
- ◆ Lorsque vous mettez les batteries au rebut, suivez les instructions présentes dans la section « Protection de l'environnement ».



N'essayez pas de charger des batteries endommagées.

Chargeurs

- ◆ Utilisez votre chargeur BLACK+DECKER uniquement pour charger la batterie de l'outil avec lequel il a été fourni. D'autres batteries peuvent exploser et causer des blessures et des dommages.
- ◆ N'essayez jamais de charger des batteries non rechargeables.
- ◆ Remplacer immédiatement les cordons défectueux.
- ◆ N'exposez pas le chargeur à l'eau.
- ◆ N'ouvrez pas le chargeur.
- ◆ Ne sondez pas le chargeur.



Le chargeur est destiné à un usage intérieur uniquement.



Lisez le manuel d'instructions avant l'utilisation.

Sécurité électrique



Votre chargeur a une double isolation ; aucun fil de terre n'est donc nécessaire. Vérifiez toujours que la tension secteur correspond à la tension sur la plaque signalétique. N'essayez jamais de remplacer le bloc du chargeur par une fiche secteur ordinaire.

- ◆ Si le cordon d'alimentation est endommagé, il doit être remplacé par le fabricant ou par un centre de réparation agréé BLACK+DECKER afin d'éviter tout danger.

Caractéristiques

Cet outil comprend certaines des caractéristiques suivantes ou leur intégralité.

1. Sélecteur de vitesse
2. Bouton de commande avant/arrière
3. Collier de serrage
4. Mandrin auto-serrant
5. Batterie
6. Bouton de dégagement de batterie
7. Chargeur

Assemblage

Utilisation

Avertissement ! Laissez l'outil fonctionner à son propre rythme. Ne surchargez pas.

Chargement de la batterie (fig. A)

La batterie doit être chargée avant la première utilisation et chaque fois qu'elle ne fournit plus une alimentation suffisante pour des tâches auparavant facilement effectuées. La batterie peut devenir tiède pendant la charge ; c'est normal et cela n'indique pas un problème.

Avertissement ! Ne chargez pas la batterie à des températures ambiantes en-dessous de 10 °C ou au-dessus de 40 °C. Température de charge recommandée : approx. 24 °C.

Remarque : Le chargeur ne chargera pas la batterie si la température de la cellule est en-dessous d'environ 10 °C ou au-dessus de 40 °C. La batterie doit être laissée dans le chargeur et le chargeur commencera à charger automatiquement dès que la cellule se sera réchauffée ou refroidie.

- ◆ Branchez le chargeur (8) dans n'importe quelle prise 230 Volts 50 Hz.
- ◆ Faites glisser le bloc batterie dans le chargeur comme indiqué à la figure A.
- ◆ La DEL verte (9) clignotera indiquant que la batterie est en cours de chargement.
- ◆ Une fois la charge terminée, la DEL demeure fixe. La batterie est alors complètement chargée et peut être soit utilisée, soit laissée dans le chargeur.

Avertissement ! N'utilisez pas l'outil quand il est branché au chargeur.

Attention ! Risque d'incendie. Lorsque vous débranchez le chargeur de l'outil, assurez-vous de bien débrancher le chargeur de la prise électrique d'abord, puis déconnectez le cordon de charge de l'outil.

Montage et démontage du bloc batterie de l'outil (figure B)

Avertissement ! Assurez-vous que le bouton de déblocage est enclenché pour éviter d'actionner par accident la commande avant l'installation ou le retrait de la batterie. Pour installer le bloc batterie :

- ◆ Insérez le bloc batterie dans l'outil, jusqu'à entendre un clic (figure B)

Pour retirer le bloc batterie de l'outil (figure C)

- ◆ Appuyez sur le bouton de dégagement de la batterie comme indiqué figure C) et retirez le bloc batterie de l'outil.

Mode D'Emploi

Gâchette et bouton de commande avant/arrière (figure D)

- ◆ La perceuse s'active en appuyant/relâchant la gâchette (1). Plus la gâchette est enfoncée, plus la vitesse de perçage est élevée.
- ◆ Le bouton de commande avant/arrière (2) détermine la direction de l'outil et sert aussi de bouton de déblocage.
- ◆ Pour sélectionner la rotation en avant, relâchez le déclencheur et déplacez le bouton de commande avant/arrière vers la gauche.
- ◆ Pour sélectionner la rotation en arrière, déplacez le bouton de commande avant/arrière dans la direction opposée.
- ◆ Pour verrouiller l'outil, placez le bouton de commande avant/arrière au centre.

Remarque ! La position centrale du bouton de contrôle verrouille l'outil en position d'arrêt. Lors du changement de position du bouton de contrôle, s'assurer que la gâchette est bien relâchée.

Serrage (figure E)

Cet outil est muni d'un collier de serrage (3) qui permet de régler le mode de fonctionnement et le couple pour le serrage des vis. Les grandes vis et les pièces dures demandent un couple de serrage plus élevé que les petites vis et les pièces tendres.

- ◆ Pour percer, placez le collier sur le symbole de perçage 1.
- ◆ Pour visser/dévisser, placez le collier sur la position désirée. Si vous ne connaissez pas encore le réglage approprié, effectuez ce qui suit :
 - ◆ Réglez le collier au couple le plus faible.
 - ◆ Serrez la première vis.

- ◆ Si l'enclenchement se fait avant d'obtenir le résultat désiré, augmentez le réglage du collier et continuez le serrage de la vis. Recommencez jusqu'à ce que le réglage correct soit obtenu. Utilisez ce réglage pour les vis restantes

Mandrin auto-serrant (figure F)

Avertissement ! Assurez-vous que l'outil est verrouillé pour éviter d'actionner la commande avant l'installation ou le retrait des accessoires.

Pour insérer un foret ou un autre accessoire :

- ◆ Dans une main, prenez la moitié arrière du mandrin (10) et avec l'autre, tournez la moitié avant (11) dans le sens inverse des aiguilles d'une montre en partant de l'extrémité du mandrin.
- ◆ Insérez le foret ou un autre accessoire jusqu'au fond du mandrin et serrez fermement en maintenant la moitié arrière du mandrin et en faisant pivoter la partie avant dans le sens des aiguilles d'une montre, vue depuis l'extrémité arrière du mandrin.

Avertissement ! Ne tentez pas de serrer les forets (ou autres accessoires) en attrapant l'avant du mandrin et en tournant l'outil. Cela pourrait endommager le mandrin et provoquer des blessures corporelles lors du changement d'accessoires.

Perçage/vissage

- ◆ Sélectionnez la rotation en marche avant ou arrière à l'aide du bouton de commande avant/arrière (2).
- ◆ Pour mettre l'outil en marche, appuyez sur le sélecteur (1). La vitesse de l'outil dépend de la pression sur le bouton.
- ◆ Pour arrêter l'outil, relâchez le sélecteur.

Astuces pour une utilisation optimale

Perçage

- ◆ Appliquez toujours une légère pression en ligne droite sur le foret.
- ◆ Juste avant que le bout du foret atteigne l'autre côté de la pièce à percer, diminuez la pression sur l'outil.
- ◆ Utilisez un bloc de bois pour protéger les pièces à percer afin d'éviter les éclats.
- ◆ Utilisez des forets à trois pointes pour percer des gros trous dans le bois.
- ◆ Utilisez les forets HSS pour percer du métal.
- ◆ Utilisez des forets à tranchants pour percer dans la pierre tendre.

- ◆ Utilisez un lubrifiant pour percer le métal, autre que le laiton et la fonte.
- ◆ Pour plus de précision, marquez à l'aide d'un poinçon central un point au centre du trou à percer.

Vissage

- ◆ Choisissez toujours un embout de type et de taille appropriés.
- ◆ Si le serrage est difficile, enduisez la vis d'une petite quantité de liquide de vaisselle ou de savon comme lubrifiant.
- ◆ Alignez toujours l'outil et l'embout du tournevis avec la vis

Dépannage

Problème	Cause possible	Solution possible
L'appareil ne démarre pas.	Le bloc batterie n'est pas chargé.	Vérifiez les caractéristiques de charge du bloc batterie.
Le bloc batterie ne se charge pas.	Le chargeur n'est pas branché.	Branchez le chargeur dans une prise qui fonctionne.
	La température ambiante est trop chaude ou trop froide.	Déplacez le chargeur et le bloc batterie à un endroit où la température ambiante est au-dessus de 4,5 °C (40 °F) ou en-dessous de 40,5 °C (105 °F)
L'appareil s'éteint brusquement.	La batterie a atteint sa température maximale.	Laissez le bloc batterie refroidir.
	Déchargé. (Pour optimiser la durée de vie du bloc batterie, il est conçu pour s'éteindre brusquement lorsque la charge est épuisée.)	Placez-le sur le chargeur et laissez-le se charger.

Entretien

Votre outil BLACK+DECKER a été conçu pour fonctionner pendant longtemps avec un minimum d'entretien. Un fonctionnement continu satisfaisant dépend d'un nettoyage régulier et d'un entretien approprié de l'outil.

Le chargeur ne nécessite aucun entretien particulier, à l'exception d'un nettoyage régulier.

Avertissement ! Avant d'entretenir l'outil, retirez la batterie. Débranchez le chargeur avant de le nettoyer.

- ◆ Nettoyez régulièrement les événements de votre outil et de votre chargeur à l'aide d'une brosse douce ou d'un chiffon sec.
- ◆ Nettoyez régulièrement le boîtier du moteur à l'aide d'un chiffon humide. N'utilisez pas de nettoyant abrasif ou à base de solvant.
- ◆ Ouvrez régulièrement le mandrin et tapotez dessus pour éliminer la poussière accumulée à l'intérieur.

Protection de l'environnement



Recyclage. Ne jetez pas ce produit avec les ordures ménagères.

En fin de durée de vie ou d'utilité de votre produit BLACK+DECKER, ne le jetez pas avec les ordures ménagères, mais dans les conteneurs de collecte sélective. mais dans les conteneurs de collecte sélective.



La collecte séparée des produits et des emballages usagés permet de recycler et de réutiliser des matériaux. La réutilisation de matériaux recyclés aide à protéger l'environnement contre la pollution et à réduire la demande en matière première.

Les règlements locaux peuvent prévoir une collecte sélective des produits électriques dans les sites de déchetterie municipale ou par collecte sur les lieux d'achat des produits neufs.

BLACK+DECKER dispose d'installations pour la collecte et le recyclage des produits BLACK+DECKER en fin de vie. Pour profiter de ce service, rapporter le produit auprès d'un centre de réparation agréé qui le recyclera en notre nom.

Vous pouvez vérifier où se trouve le réparateur agréé le plus proche en contactant votre filiale BLACK+DECKER locale à l'adresse indiquée dans ce manuel. En alternative, une liste des réparateurs agréés BLACK+DECKER et les coordonnées complètes de notre service après-vente sont disponibles sur le site Internet :

www.2helpU.com.

Batteries



L'outil ne renferme aucune pièce susceptible d'être réparée par vos soins.

- ◆ Lorsque votre produit est arrivé en fin de vie, confiez-le dans sa totalité à votre technicien d'entretien ou à un centre de recyclage afin que la batterie puisse être recyclée. Ne jetez pas l'appareil avec les ordures ménagères.

Données techniques

BDCDD12	
Tension	V_{CC} 10,8
Vitesse à vide	Min^{-1} 0-550 rpm
Couple max.	Nm 12,5/26
Capacité mandrin	mm 1-10
Capacité de perçage max.	
Acier/Bois	mm 10/25
Poids	kg 0,98

Chargeur 90589867	
Tension d'entrée	V_{CAP} 230
Tension de sortie	V_{CC} 10,8
Courant	mA 200
Temps de charge approx.	Heures 8

Chargeur 90590287-02	
Tension d'entrée	V_{AC} 230
Tension de sortie	V_{DC} 10,8
Courant	mA 400
Temps de charge approx.	Heures 3 - 5

Chargeur 90599854-06	
Tension d'entrée	V_{AC} 230
Tension de sortie	V_{DC} 10,8
Courant	Amp 1
Temps de charge approx.	Heures 1,5

Batterie BL1512	
Tension	V_{CAP} 10,8
Capacité	Ah 1,5
Type	Li-Ion

Niveau de pression sonore selon la norme EN 60745:

Pression sonore (L_{pA}) 63 dB(A), incertitude (K) 3 dB(A), Puissance sonore (L_{WA}) 74 dB(A), incertitude (K) 3 dB(A)

Valeurs du taux de vibrations (somme vectorielle de triaxialité) déterminées conformément à la norme EN 60745 :

Perçage, métal ($a_{h,D}$) < 2,5 m/s², incertitude (K) 1,5 m/s², Vissage sans impact ($a_{h,i}$) < 2,5 m/s², incertitude (K) = 1,5 m/s²

Certificat de conformité CE

CONSIGNES DE MACHINERIE



BDCDD12 - Perceuse/visseuse

Black & Decker certifie que les produits décrits dans le paragraphe « Données techniques » sont conformes aux normes : 2006/42/CE, EN 60745-1, EN 60745-2-1, EN 60745-2-2.

Ces produits sont également en accord avec la Directive 2004/108/CE (jusqu'au 19/04/2016) 2014/30/UE (à partir du 20/04/2016) et 2011/65/UE. Pour plus d'informations, veuillez contacter Black & Decker à l'adresse suivante ou vous reporter au dos de cette notice d'instructions.

Le soussigné est responsable de la compilation du fichier technique et fait cette déclaration au nom de Black & Decker.

R. Laverick
 Directeur technique
 Black & Decker Europe
 210 Bath Road, Slough
 Berkshire, SL1 3YD
 Royaume-Uni
 14/07/2015

Garantie

Black & Decker est confiant dans la qualité de ses produits et offre une garantie exceptionnelle. Cette déclaration de garantie s'ajoute à et ne contredit en aucun cas vos droits statutaires. La garantie est valable sur tout le territoire des États Membres de l'Union Européenne et de la Zone de Libre Échange Européenne.

Si votre produit Black & Decker présentait un défaut dû à un vice de matériau, de fabrication ou de conformité dans les 24 mois à compter de sa date d'achat, Black & Decker garantit le remplacement de toute pièce défectueuse, la réparation de tout produit soumis à une usure normale, ou le remplacement de tels produits pour assurer un inconvénient minimal au client, à moins que :

- ◆ Le produit ait été utilisé dans un cadre commercial, professionnel, ou locatif ;
- ◆ Le produit ait été soumis à une mauvaise utilisation ou à la négligence ;
- ◆ Le produit ait subi des dommages par des objets, substances ou accidents étrangers ;
- ◆ Des réparations aient été effectuées par des personnes non agréées ou étrangères au service de réparation de Black & Decker.

Pour avoir droit à la garantie, vous devez soumettre une preuve d'achat au revendeur à un réparateur agréé. Vous pouvez vérifier où se trouve le réparateur agréé le plus proche en contactant votre filiale Black & Decker locale à l'adresse indiquée dans ce manuel. En alternative, une liste des réparateurs agréés Black & Decker et les coordonnées complètes de notre service après-vente sont disponibles sur le site Internet : **www.2helpU.com**.

Visitez notre site Web

www.blackanddecker.co.uk pour enregistrer votre nouveau produit BLACK+DECKER et pour vous tenir informé sur les nouveaux produits et les offres spéciales. Plus d'informations sur la marque BLACK+DECKER et sur notre gamme de produits sont disponibles sur **www.blackanddecker.fr**.

Použití výrobku

Vaše vrtačka/šroubovák BLACK+DECKER BDCDD12 je určena pro šroubování a vrtání do dřeva, kovu a plastů. Toto nářadí je určeno pouze pro spotřebitelské použití.

Bezpečnostní pokyny

Všeobecné bezpečnostní pokyny pro práci s elektrickým nářadím



Varování! Přečtěte si všechny bezpečnostní pokyny a bezpečnostní výstrahy. Nedodržení níže uvedených varování a pokynů může vést k způsobení úrazu elektrickým proudem, k vzniku požáru nebo k vážnému zranění.

Veškerá bezpečnostní varování a pokyny uschovejte pro budoucí použití. Termín „elektrické nářadí“ ve všech upozorněních odkazuje na vaše nářadí napájené ze sítě (je opatřeno napájecím kabelem) nebo nářadí napájené baterií (bez napájecího kabelu).

1. Bezpečnost v pracovním prostoru

- Udržujte pracovní prostor čistý a dobře osvětlený.** Přepíněný a neosvětlený pracovní prostor může vést k způsobení úrazů.
- Neppracujte s elektrickým nářadím ve výbušném prostředí, jako jsou například prostory s výskytem hořlavých kapalin, plynů nebo prašných látek.** V elektrickém nářadí dochází k jiskření, které může způsobit vznícení hořlavého prachu nebo výparů.
- Při práci s elektrickým nářadím zajistěte bezpečnou vzdálenost dětí a ostatních osob.** Rozptylování může způsobit ztrátu kontroly nad nářadím.

2. Elektrická bezpečnost

- Zástrčka napájecího kabelu nářadí musí odpovídat zásuvce. Zástrčku nikdy žádným způsobem neupravujte. Nepoužívejte u uzemněného elektrického nářadí žádné upravené zástrčky.** Neupravované zástrčky a odpovídající zásuvky snižují riziko způsobení úrazu elektrickým proudem.
- Nedotýkejte se uzemněných povrchů, jako jsou například potrubí, radiátory, elektrické sporáky a chladničky.** Při uzemnění vašeho těla vzrůstá riziko úrazu elektrickým proudem.
- Nevystavujte elektrické nářadí dešti nebo vlhkému prostředí.** Vnikne-li do elektrického

nářadí voda, zvýší se riziko úrazu elektrickým proudem.

- S napájecím kabelem zacházejte opatrně. Nikdy nepoužívejte napájecí kabel k přenášení nebo posouvání nářadí a netahajte za něj, chcete-li nářadí odpojit od elektrické sítě. Zabraňte kontaktu kabelu s mastnými, horkými a ostrými předměty nebo pohyblivými částmi.** Poškozený nebo zauzlený napájecí kabel zvyšuje riziko úrazu elektrickým proudem.
 - Při práci s nářadím venku používejte prodlužovací kabely určené pro venkovní použití.** Použití kabelu pro venkovní použití snižuje riziko úrazu elektrickým proudem.
 - Musíte-li s elektrickým nářadím pracovat ve vlhkém prostředí, použijte napájecí zdroj s proudovým chráničem (RCD).** Použití proudového chrániče (RCD) snižuje riziko úrazu elektrickým proudem.
- #### 3. Bezpečnost osob
- Při použití elektrického nářadí zůstaňte stále pozorní, sledujte, co provádíte a pracujte s rozvahou. Nepracujte s elektrickým nářadím, jste-li unavení nebo jste-li pod vlivem drog, alkoholu nebo léků.** Chvilka nepozornosti při práci s elektrickým nářadím může vést k vážnému úrazu.
 - Používejte prvky osobní ochrany. Vždy používejte ochranu zraku.** Ochranné prostředky jako respirátor, neklouzavé pracovní boty, přilba a chrániče sluchu, používané v příslušných podmínkách, snižují riziko poranění osob.
 - Zabraňte náhodnému spuštění nářadí. Před připojením zdroje napětí nebo před vložením baterie a před zvednutím nebo přenášením nářadí zkontrolujte, zda je spínač v poloze vypnuto.** Přenášení elektrického nářadí s prstem na spínači nebo připojení nářadí k napájecímu zdroji, je-li spínač nářadí v poloze zapnuto, může způsobit úraz.
 - Před spuštěním z nářadí vždy odstraňte všechny klíče nebo seřizovací přípravky.** Seřizovací klíče ponechané na nářadí mohou být zachyceny rotujícími částmi nářadí a mohou způsobit úraz.
 - Nepřekázejte sami sobě. Při práci vždy udržujte vhodný postoj a rovnováhu.** Tak je umožněna lepší ovladatelnost nářadí v neočekávaných situacích.

- f. **Vhodně se oblékejte. Nenoste volný oděv nebo šperky. Dbejte na to, aby se vaše vlasy, oděv a rukavice nedostaly do kontaktu s pohyblivými částmi.** Volný oděv, šperky nebo dlouhé vlasy mohou být pohyblivými díly zachyceny.
- g. **Jsou-li zařízení vybavena adaptérem pro připojení příslušenství k zachytávání prachu, zajistěte jeho správné připojení a řádnou funkci.** Použití těchto zařízení může snížit nebezpečí týkající se prachu.
4. **Použití elektrického nářadí a jeho údržba**
- a. **Nepřetěžujte elektrické nářadí. Používejte pro prováděnou práci správný typ nářadí.** Při použití správného typu nářadí bude práce provedena lépe a bezpečněji.
- b. **Pokud nelze spínač nářadí zapnout a vypnout, s nářadím nepracujte.** Každé elektrické nářadí s nefunkčním spínačem je nebezpečné a musí být opraveno.
- c. **Před seřizováním nářadí, před výměnou příslušenství nebo pokud nářadí nepoužíváte, odpojte zástrčku napájecího kabelu od zásuvky nebo z nářadí vyjměte baterii.** Tato preventivní bezpečnostní opatření snižují riziko náhodného spuštění nářadí.
- d. **Uložte elektrické nářadí mimo dosah dětí a nedovolte ostatním osobám, které toto nářadí neumí ovládat nebo které neznají tyto bezpečnostní pokyny, aby s tímto elektrickým nářadím pracovaly.** Elektrické nářadí je v rukou nekvalifikované obsluhy nebezpečné.
- e. **Provádějte údržbu elektrického nářadí. Zkontrolujte vychýlení nebo zablokování pohyblivých částí, poškození jednotlivých dílů a jiné okolnosti, které mohou ovlivnit chod nářadí. Pokud je nářadí poškozeno, nechejte jej opravit.** Mnoho nehod bývá způsobeno zanedbanou údržbou nářadí.
- f. **Udržujte řezné nástroje ostré a čisté.** Řádně udržované řezné nástroje s ostrými řeznými břity jsou méně náchylné k zanášení nečistotami a lépe se s nimi pracuje.
- g. **Používejte toto elektrické nářadí, příslušenství a pracovní nástroje podle těchto pokynů a berte v úvahu provozní podmínky a práci, která bude prováděna.** Použití elektrického nářadí k jiným účelům, než k jakým je určeno, může být nebezpečné.
5. **Použití nářadí napájeného baterií a jeho údržba**
- a. **Nabíjejte pouze v nabíječce určené výrobcem.** Nabíječka vhodná pro jeden typ baterie může při vložení jiného nevhodného typu baterie způsobit požár.
- b. **Používejte elektrické nářadí výhradně s bateriemi, které jsou pro daný typ nářadí určeny.** Použití jiných typů baterií může způsobit vznik požáru nebo zranění.
- c. **Není-li baterie používána, uložte ji mimo dosah kovových předmětů, jako jsou kancelářské sponky na papír, mince, klíče, hřebíky, šroubky nebo další drobné kovové předměty, které mohou způsobit zkratování kontaktů baterie.** Zkratování kontaktů baterie může vést k způsobení popálenin nebo požáru.
- d. **V nevhodných podmínkách může z baterie unikat kapalina. Vyvarujte se kontaktu s touto kapalinou. Dojde-li k náhodnému kontaktu s touto kapalinou, zasažené místo omyjte vodou. Při zasažení očí potřísněné místo omyjte a vyhledejte lékařskou pomoc. Unikající kapalina z baterie může způsobit podráždění pokožky nebo popáleniny.**
6. **Servis**
- a. **Opravy elektrického nářadí svěřte pouze kvalifikovanému technikovi, který bude používat originální náhradní díly.** Tím zajistíte bezpečný provoz nářadí.

Doplňkové bezpečnostní pokyny pro práci s elektrickým nářadím



Varování! Další bezpečnostní pokyny pro vrtačky

- ♦ **Používejte přidavné rukojeti dodávané s nářadím.** Ztráta kontroly nad nářadím může vést k úrazu.
- ♦ **Při pracovních operacích, u kterých by mohlo dojít ke kontaktu pracovního nástroje se skrytými elektrickými vodiči, držte elektrické nářadí vždy za izolované rukojeti.** Při kontaktu pracovního příslušenství s „živým“ vodičem způsobí neizolované kovové části nářadí obsluze úraz elektrickým proudem.
- ♦ **Při pracovních operacích, u kterých by mohlo dojít ke kontaktu montážního prvku se skrytými elektrickými vodiči,**

držte elektrické nářadí vždy za izolované rukojeti. Montážní prvky, které se dostanou do kontaktu s „živým“ vodičem, způsobí, že neizolované kovové části elektrického nářadí budou také „živé“, což může obsluze způsobit úraz elektrickým proudem.

- ◆ **Pro zajištění a upnutí obrobku k pracovnímu stolu používejte svorky nebo jiné vhodné prostředky.** Držení obrobku rukou nebo opření obrobku o část těla nezajistí jeho stabilitu a může vést k ztrátě kontroly.
- ◆ Před vrtáním do zdí, podlah nebo stropů zjistěte polohu elektrických vedení a potrubí.
- ◆ Ihned po ukončení vrtání se nedotýkejte vrtáku, protože může být horký.
- ◆ Určené použití tohoto výrobku je popsáno v tomto návodu. Použití jiného příslušenství nebo přídavného zařízení a provádění jiných pracovních operací, než je doporučeno tímto návodem, může představovat riziko zranění obsluhy nebo riziko způsobení hmotných škod.

Bezpečnost ostatních osob

- ◆ Toto nářadí není určeno pro použití osobami (včetně dětí) se sníženými fyzickými, smyslovými nebo duševními schopnostmi, nebo s nedostatkem zkušeností a znalostí, pokud těmto osobám nebyl stanoven dohled, nebo pokud jim nebyly poskytnuty instrukce týkající se použití výrobku osobou odpovědnou za jejich bezpečnost.
- ◆ Děti musí být pod dozorem, aby bylo zajištěno, že si s tímto nářadím nebudou hrát.

Zbytková rizika

Je-li toto nářadí používáno jiným způsobem, než je uvedeno v příložených bezpečnostních varováních, mohou se objevit dodatečná zbytková rizika. Tato rizika mohou vzniknout v důsledku nesprávného použití, dlouhodobého použití atd.

Přestože jsou dodržovány příslušné bezpečnostní předpisy a jsou používána bezpečnostní zařízení, určitá zbytková rizika nemohou být vyloučena. Tato rizika jsou následující:

- ◆ Zranění způsobená kontaktem s jakoukoli rotující nebo pohybující se částí.
- ◆ Zranění způsobená při výměně dílů, pracovního nástroje nebo příslušenství.
- ◆ Zranění způsobená dlouhodobým použitím nářadí. Používáte-li jakékoli nářadí delší dobu, zjistěte, aby byly prováděny pravidelné přestávky.

- ◆ Poškození sluchu.
- ◆ Zdravotní rizika způsobená vdechováním prachu vytvářeného při použití nářadí (příklad: - práce se dřevem, zejména s dubovým, bukovým a MDF).

Vibrace

Deklarovaná úroveň vibrací uvedená v technických údajích a v prohlášení o shodě byla měřena v souladu se standardní zkušební metodou předepsanou normou EN 60745 a může být použita pro srovnání jednotlivých nářadí mezi sebou. Deklarovaná úroveň vibrací může být také použita k předběžnému stanovení doby práce s tímto nářadím.

Varování! Úroveň vibrací při aktuálním použití elektrického nářadí se může od deklarované úrovně vibrací lišit v závislosti na způsobu použití nářadí. Úroveň vibrací může být vzhledem k uvedené hodnotě vyšší.

Při stanovení doby působení vibrací z důvodu určení bezpečnostních opatření podle požadavků normy 2002/44/EC k ochraně osob pravidelně používajících elektrické nářadí v zaměstnání, by měl předběžný odhad působení vibrací brát na zřetel aktuální podmínky použití nářadí s přihlédnutím na všechny části pracovního cyklu, jako jsou doby, při které je nářadí vypnuto a kdy běží naprázdno.

Štítky na nářadí

Na nářadí jsou společně s datovým kódem zobrazeny následující piktogramy:



Varování! Z důvodu snížení rizika způsobení úrazu si uživatel musí přečíst návod k použití.

Další bezpečnostní pokyny pro baterie a nabíječky (nejsou dodávány s nářadím)

Baterie

- ◆ Baterii nikdy ne z žádného důvodu nerozebírejte.
- ◆ Zabraňte kontaktu baterie s vodou.
- ◆ Neskladujte baterie na místech, kde může teplota přesáhnout 40 °C.
- ◆ Nabíjejte baterie pouze při teplotách v rozsahu od 10 °C do 40 °C.
- ◆ Nabíjení provádějte pouze nabíječkou dodanou s nářadím.
- ◆ Při likvidaci baterií se řiďte pokyny uvedenými v části „Ochrana životního prostředí“.



Nepokoušejte se nabíjet poškozené baterie.

Nabíječky

- ◆ Používejte nabíječku BLACK+DECKER pouze k nabíjení baterie, která byla dodána s tímto nářadím. Jiné baterie mohou prasknout, způsobit zranění nebo jiné škody.
- ◆ Nikdy se nepokoušejte nabíjet baterie, které nejsou k nabíjení určeny.
- ◆ Poškozené kabely ihned vyměňte.
- ◆ Zabraňte kontaktu nabíječky s vodou.
- ◆ Nesnažte se nabíječku demontovat.
- ◆ Nepokoušejte se do nabíječky proniknout.



Tato nabíječka není určena pro venkovní použití.



Před použitím si pečlivě přečtěte tento návod.

Elektrická bezpečnost



Tato nabíječka je opatřena dvojitou izolací. Proto není nutné použití uzemňovacího vodiče. Vždy zkontrolujte, zda napětí v elektrické síti odpovídá napětí, které je uvedeno na výkonovém štítku. Nikdy se nepokoušejte nahradit nabíječku přímým připojením k síťové zásuvce.

- ◆ Je-li poškozen napájecí kabel, musí být vyměněn výrobcem nebo v autorizovaném servisu BLACK+DECKER, aby bylo zabráněno možným rizikům.

Popis

Tento výrobek se skládá z některých nebo ze všech následujících částí.

1. Spínač s plynulou regulací otáček
2. Přepínač pro chod vpřed/vzad
3. Objímka pro nastavení momentu
4. Rychloupínací sklíčidlo
5. Baterie
6. Uvolňovací tlačítko baterie
7. Nabíječka

Sestavení

Použití

Varování! Nechejte nářadí pracovat jeho vlastním tempem. Zamezte přetěžování.

Nabíjení baterie (obr. A)

Baterie musí být nabita před prvním použitím a vždy, když dojde k výraznému poklesu jejího výkonu. Baterie se může během nabíjení zahřívat.

Jedná se o normální stav, který neznamená žádný problém.

Varování! Baterii nenabíjejte, klesne-li okolní teplota pod 10 °C nebo přesáhne-li 40 °C. Doporučená teplota prostředí pro nabíjení: přibližně 24 °C.

Poznámka: Nabíječka nebude nabíjet baterie, klesne-li teplota článků pod přibližně 10 °C nebo překročí-li 40 °C. Baterie mohou být ponechány v nabíječce a nabíjení bude automaticky spuštěno, jakmile teplota článků dosáhne povoleného rozsahu.

- ◆ Připojte nabíječku (8) k jakékoli standardní elektrické zásuvce s napájecím napětím 230 V a frekvencí 50 Hz.
- ◆ Zasuňte baterii do nabíječky, jak je zobrazeno na obr. A.
- ◆ Zelený LED indikátor (9) bude blikat, což bude indikovat probíhající nabíjení.
- ◆ Ukončení nabíjení je indikováno nepřerušovaným svícením zeleného LED indikátoru. Baterie je zcela nabita a může být vyjmuta z nabíječky nebo může být ponechána v nabíječce.

Varování! Nepoužívejte toto nářadí, je-li připojeno k nabíječce.

Varování! Nebezpečí vzniku požáru. Při odpojování nabíječky od nářadí vždy zajistěte, aby byla nejdříve odpojována nabíječka od síťové zásuvky a potom odpojte kabel nabíječky od nářadí.

Vložení a vyjmutí baterie z nářadí (obr. B)

Varování! Ujistěte se, zda je nářadí zajištěno zajišťovacím tlačítkem, abyste před vložením nebo vyjmutím baterie zabránili aktivaci spínače. Vložení baterie:

- ◆ Vložte baterii do nářadí tak, abyste uslyšeli kliknutí (obr. B).

Vyjmutí baterie z nářadí (obr. C)

- ◆ Stiskněte tlačítko pro uvolnění baterie zobrazené na obr. C a vysuňte baterii z nářadí.

Pokyny pro použití

Spouštěcí spínač a tlačítko pro změnu chodu (obr. D)


- ◆ Tato vrtačka je zapínána a vypínána stisknutím a uvolněním spouštěcího spínače (1). Čím více je spouštěcí spínač stisknutý, tím vyšší jsou otáčky pracovního nástroje.
- ◆ Ovládací tlačítko pro chod vpřed/vzad (2) určuje směr otáčení pracovního nástroje a slouží také jako zajišťovací tlačítko.

- ◆ Chcete-li zvolit směr otáčení vpřed, uvolněte spouštěcí spínač a zatlačte ovládací tlačítko pro chod vpřed/vzad doleva.
- ◆ Chcete-li zvolit směr otáčení vzad, zatlačte ovládací tlačítko pro chod vpřed/vzad na druhou stranu.
- ◆ Chcete-li nářadí zablokovat, nastavte přepínač pro chod vpřed/vzad do středové polohy.

Poznámka! Středová poloha tohoto ovládacího tlačítka zajišťuje nářadí ve vypnuté poloze. Provádíte-li změnu polohy ovládacího tlačítka, ujistěte se, zda je uvolněn spouštěcí spínač.

Nastavení momentu (obr. E)

Toto nářadí je vybaveno objímkou (3) pro nastavení pracovního režimu a pro nastavení momentu při utahování vrutů a šroubů. Šrouby velkých rozměrů a obrobky z tvrdých materiálů vyžadují nastavení vyšší hodnoty momentu než malé šrouby a měkké materiály.

- ◆ Chcete-li provádět vrtání, nastavte objímku na symbol .
- ◆ Chcete-li šroubovat, nastavte objímku na požadované nastavení. Neznáte-li ještě vhodné nastavení, postupujte následovně:
 - ◆ Nastavte objímku na nejmenší hodnotu momentu.
 - ◆ Utáhněte první šroub.
 - ◆ Začne-li spojka před dosažením požadovaného výsledku přeskakovat, zvětšete hodnotu momentu nastavením objímky do další polohy a pokračujte v utahování šroubu. Opakujte tento postup, dokud nedosáhnete požadovaného nastavení. Použijte toto nastavení i pro dotažení zbývajících šroubů.

Rychloupínací sklíčidlo (obr. F)

Varování! Ujistěte se, zda je nářadí zajištěno zajišťovacím tlačítkem, abyste před vložením nebo vyjmutím pracovního nástroje zabránili aktivaci spínače. Vložení vrtáku nebo jiného pracovního nástroje:

- ◆ Jednou rukou uchopte zadní polovinu sklíčidla (10) a druhou rukou otočte přední polovinu sklíčidla (11) proti směru pohybu hodinových ručiček, při pohledu od zadní části sklíčidla.
- ◆ Zasuňte pracovní nástroj zcela do sklíčidla a uchopením zadní poloviny sklíčidla s otáčením jeho přední poloviny ve směru pohybu hodinových ručiček sklíčidlo řádně utáhněte.

Varování! Nepokoušejte se utahovat vrtáky (nebo jiné příslušenství) uchopením přední části sklíčidla a zapnutím nářadí. Výměna příslušenství prováděná takovým způsobem může vést k poškození sklíčidla a k úrazu.

Vrtání/šroubování

- ◆ Pomocí přepínače pro chod vpřed/vzad (2) zvolte směr otáčení vpřed nebo vzad.
- ◆ Chcete-li nářadí zapnout, stiskněte spínač (1). Otáčky nářadí závisí na intenzitě stisknutí tohoto spínače.
- ◆ Chcete-li nářadí vypnout, spínač uvolněte.

Rady pro optimální použití

Vrtání

- ◆ Vždy vyvíjejte mírný tlak v ose vrtáku.
- ◆ Těsně před proniknutím špičky vrtáku druhou stranou obrobku zmenšete tlak vyvíjený na nářadí.
- ◆ Podložte obrobek kouskem dřeva, aby při průniku vrtáku nedocházelo k tvorbě třísek na povrchu obrobku.
- ◆ Při vrtání otvorů do dřeva, které mají větší průměr, používejte ploché vrtáky do dřeva.
- ◆ Při vrtání do kovu používejte vrtáky z rychlořezné oceli (HSS).
- ◆ Při vrtání do měkkého zdiva použijte vrtáky do zdiva.
- ◆ Nevrtáte-li do litiny nebo do mosazi, používejte při vrtání kovů mazivo.
- ◆ Pro zvýšení přesnosti vrtání si vždy uprostřed díry, kterou chcete vrtat, vytvořte na povrchu obrobku pomocí průbojníku vodící značku.

Šroubování

- ◆ Vždy používejte správný typ a velikost šroubovacího nástavce.
- ◆ Nejdou-li šrouby správně přitáhnout, použijte jako mazivo malé množství saponátu nebo mýdlového roztoku.
- ◆ Vždy držte nářadí se šroubovacím nástavcem v jedné ose se šroubem.

Odstraňování závad

Problém	Možná příčina	Možné řešení
Nářadí nelze spustit.	Baterie není nabitá.	Zkontrolujte, zda není nutné nabít baterie.
Baterie se nenabíjí.	Napájecí kabel nabíječky není připojen k síťové zásuvce.	Připojte napájecí kabel nabíječky k síťové zásuvce.
	Příliš vysoká nebo příliš nízká teplota okolního prostředí.	Přemístěte nabíječku a baterii do prostředí, ve kterém je teplota vyšší než 4,5 °C nebo nižší než 40,5 °C.
Nářadí se náhle vypne.	Baterie dosáhla svého maximálního teplotního limitu.	Nechejte baterii vychladnout.
	Baterie je vybitá. (Tato baterie je vyrobená tak, aby došlo k jejímu okamžitému vypnutí, dojde-li k jejímu vybití, aby byla maximalizována její provozní životnost.)	Vložte ji do nabíječky a nechte ji zcela nabít.

Údržba

Vaše nářadí BLACK+DECKER bylo zkonstruováno tak, aby pracovalo po dlouhou dobu s minimálními nároky na údržbu. Řádná péče o nářadí a jeho pravidelné čištění vám zajistí jeho bezproblémový chod.

Vaše nabíječka nevyžaduje žádnou údržbu mimo pravidelné čištění.

Varování! Před prováděním jakékoli údržby vyjměte z nářadí baterii. Před čištěním odpojte nabíječku od sítě.

- ♦ Větrací otvory nářadí a nabíječky pravidelně čistěte měkkým kartáčem nebo suchým hadříkem.
- ♦ Pomocí vlhkého hadříku pravidelně čistěte kryt motoru. Nepoužívejte žádné abrazivní čisticí prostředky nebo rozpouštědla.
- ♦ Pravidelně otvírejte sklíčidlo a poklepem odstraňte prach z jeho vnitřní části.

Ochrana životního prostředí



Tříděte odpad. Tento výrobek nesmí být likvidován v běžném domácím odpadu.

Pokud nebudete výrobek BLACK+DECKER dále používat nebo přejete-li si jej nahradit novým, nelikvidujte jej spolu s běžným komunálním odpadem. Zajistěte likvidaci tohoto výrobku v tříděném odpadu.



Tříděný odpad umožňuje recyklaci a opětovné využití použitých výrobků a obalových materiálů. Opětovné použití recyklovaných materiálů pomáhá chránit životní prostředí před znečištěním a snižuje spotřebu surovin.

Při zakoupení nových výrobků vám prodejny, místní sběrný odpadů nebo recyklační stanice poskytnou informace o správné likvidaci elektroodpadů z domácnosti.

Společnost BLACK+DECKER poskytuje službu sběru a recyklace výrobků BLACK+DECKER po skončení jejich provozní životnosti. Chcete-li využít výhody této služby, odevzdejte prosím váš výrobek kterémukoli zástupci autorizovaného servisu, který zařízení odebere a zajistí jeho recyklaci.

Místo nejbližšího autorizovaného servisu BLACK+DECKER naleznete na příslušné adrese uvedené v tomto návodu. Seznam autorizovaných servisů BLACK+DECKER a podrobnosti o poprodejním servisu naleznete také na internetové adrese: www.2helpU.com.

Baterie



Uvnitř se nenachází žádné části určené k opravám.

- ♦ Po ukončení provozní životnosti vašeho výrobku odevzdejte celou jednotku zástupci servisu nebo v místním sběrném dvoře, kde zajistí recyklaci baterie. Nevyhazujte toto nářadí do běžného domácího odpadu.

Technické údaje

BDCDD12	
Napájecí napětí	V 10,8
Otáčky naprázdno	min ⁻¹ 0 - 550
Maximální moment	Nm 12,5/26
Kapacita skříňidla	mm 1 - 10
Maximální průměr vrtáku při vrtání do oceli/dřeva	mm 10/25
Hmotnost	kg 0,98

Nabiječka 90589867	
Vstupní napětí	V 230
Výstupní napětí	V 10,8
Proud	mA 200
Přibližná doba nabíjení	hod 8

Nabiječka 90590287-02	
Vstupní napětí	V 230
Výstupní napětí	V 10,8
Proud	mA 400
Přibližná doba nabíjení	hod 3 - 5

Nabiječka 90599854-06	
Vstupní napětí	V 230
Výstupní napětí	V 10,8
Proud	A 1
Přibližná doba nabíjení	hod 1,5

Baterie BL1512	
Napájecí napětí	V 10,8
Kapacita	Ah 1,5
Typ	Li-Ion

Hladina akustického tlaku podle normy EN 60745:

Akustický tlak (L_{pA}) 63 dB (A), odchylka (K) 3 dB (A),
Akustický výkon (L_{WA}) 74 dB (A), odchylka (K) 3 dB (A)

Celková úroveň vibrací (prostorový vektorový součet) podle normy EN 60745:

Vrtání do kovu ($a_{h,D}$) < 2,5 m/s², odchylka (K) 1,5 m/s², Šroubování bez rázů ($a_{h,r}$) < 2,5 m/s², odchylka (K) 1,5 m/s²

ES Prohlášení o shodě SMĚRNICE PRO STROJNÍ ZAŘÍZENÍ



BDCDD12 - vrtačka, šroubovák

Společnost Black & Decker prohlašuje, že tyto produkty popisované v technických údajích splňují požadavky následujících norem: 2006/42/EC, EN 60745-1, EN 60745-2-1, EN 60745-2-2.

Tyto výrobky splňují také požadavky směrnice 2004/108/EC (do 19. 4. 2016), 2014/30/EU (od 20. 4. 2016) a 2011/65/EU. Chcete-li získat další informace, kontaktujte prosím společnost Black & Decker na následující adrese nebo na adresách, které jsou uvedeny na konci tohoto návodu.

Níže podepsaná osoba je odpovědná za sestavení technických údajů a provádí toto prohlášení v zastoupení společnosti Black & Decker.

R. Laverick
Technický ředitel
Black & Decker Europe
210 Bath Road, Slough
Berkshire, SL1 3YD
United Kingdom
14. 7. 2015

Záruka

Společnost Black & Decker je přesvědčena o kvalitě svých výrobků a nabízí mimořádnou záruku. Tato záruka je nabízena ve prospěch zákazníka a nijak neovlivní jeho zákonná záruční práva. Tato záruka je platná ve všech členských státech EU a evropské zóny volného obchodu EFTA.

Objeví-li se na výrobku Black & Decker, v průběhu 24 měsíců od zakoupení, jakékoli materiálové či výrobní vady, společnost Black & Decker garantuje ve snaze o minimalizování vašich starostí bezplatnou výměnu vadných dílů, opravu nebo výměnu celého výrobku za níže uvedených podmínek:

- ♦ Tento výrobek nebyl používán pro obchodní nebo profesionální účely a nedocházelo k jeho pronájmu.
- ♦ Tento výrobek nebyl vystaven nesprávnému použití a nebyla zanedbána jeho předepsaná údržba.

- ♦ Tento výrobek nebyl poškozen cizím zaviněním, jinými předměty nebo nehodou.
- ♦ Opravy nebyly prováděny jinými osobami, než autorizovanými opraváři nebo mechaniky autorizovaného servisu Black & Decker.

Požadujete-li záruční opravu, budete muset prodejci nebo zástupci autorizovaného servisu předložit doklad o zakoupení výrobku. Místo nejbližšího autorizovaného servisu Black & Decker naleznete na příslušné adrese uvedené v tomto návodu. Seznam autorizovaných servisů Black & Decker a podrobnosti o poprodejním servisu naleznete také na internetové adrese: **www.2helpU.com**.

Navštivte prosím naše stránky **www.blackanddecker.co.uk** a zaregistrujte zde váš nový výrobek BLACK+DECKER, abyste mohli být informováni o nových výrobcích a speciálních nabídkách. Další informace o značce BLACK+DECKER a o celé řadě našich dalších výrobků naleznete na adrese **www.blackanddecker.co.uk**.

Rendeltetésszerű használat

Az Ön BLACK+DECKER BDCDD12 fűrő-csavarozóját csavarozáshoz, illetve fa, fém és műanyagok fúrásához terveztük. Ez a szerszám iparszerű felhasználásra nem alkalmas.

Biztonságtechnikai előírások

Elektromos szerszámokra vonatkozó általános biztonságtechnikai figyelmeztetések



Figyelmeztetés! Olvasson el minden biztonságtechnikai figyelmeztetést és útmutatást. Az alábbi figyelmeztetések és útmutatások be nem tartása áramütést, tüzet és/vagy súlyos személyi sérülést okozhat.

Őrizze meg a figyelmeztetéseket és az útmutatót későbbi használatra. Az „elektromos szerszám” kifejezés a figyelmeztetésekből az Ön által használt hálózati (vezetékes) vagy akkumulátoros (vezeték nélküli) elektromos szerszámot jelenti.

1. A munkaterület biztonsága

- a. **A munkaterületet tartsa tisztán és világítsa meg jól.** A rendetlen vagy sötét munkaterület növeli a balesetveszélyt.
- b. **Ne használja az elektromos szerszámokat robbanásveszélyes légtérben, például ahol gyúlékony folyadékok, gázok vagy por vannak jelen.** Elektromos szerszámok használatakor szikra keletkezhet, amely begyűjtheti a port vagy gázt.
- c. **A szerszám használata közben tartsa távol a gyerekeket és a közelben tartózkodókat.** Ha elterelik a figyelmét, elveszítheti a szerszám feletti uralmát.

2. Elektromos biztonság

- a. **Az elektromos kéziszerszám dugasza a hálózati csatlakozóaljzat kialakításának megfelelő legyen. Soha, semmilyen módon ne alakítsa át a csatlakozódugót. Földelt szerszámokkal soha ne használjon adapter dugaszt.** Eredeti (nem átalakított) csatlakozó és ahhoz illő konnektor használata mellett kisebb az áramütés veszélye.
- b. **Ügyeljen arra, hogy teste ne érintkezék földelt felületekkel, például csővezetékekkel, radiátorral, tűzhellyel és hűtőszekrénnel.** Ha a teste leföldelődik, nagyobb az áramütés veszélye.

- c. **Esőtől és egyéb nedvességtől óvja az elektromos szerszámokat.** Ha víz kerül az elektromos szerszám belsejébe, nő az áramütés veszélye.
 - d. **Gondosan bánjon a kábellel. Az elektromos szerszámot soha ne hordozza és ne húzza a tápkábelnél fogva, a dugaszt pedig ne a kábelnél fogva húzza ki a konnektorból. Tartsa távol a kábelt éles széléktől, mozgó alkatrészekről, védje olajtól és hőtől.** Sérült vagy összetekeredett hálózati kábel használata mellett nagyobb az áramütés veszélye.
 - e. **Ha a szabadban használja az elektromos szerszámot, kültéri használatra alkalmas hosszabbító kábelt vegyen igénybe.** Kültéri használatra alkalmas hosszabbító kábel használata mellett kisebb az áramütés veszélye.
 - f. **Ha az elektromos szerszám nedves helyen való használata elkerülhetetlen, az elektromos biztonság növelhető egy hibaáramvédő kapcsoló (RCD) előkapcsolásán keresztül.** Hibaáramvédő kapcsoló használata mellett kisebb az áramütés veszélye.
- #### 3. Személyes biztonság
- a. **Elektromos szerszám használata közben ne veszítse el éberségét, figyeljen mindig arra, amit tesz, a józan eszét mindig arra. Ne dolgozzon a szerszámmal, ha fáradt, ha gyógyszer, alkohol hatása vagy gyógykezelés alatt áll.** Elektromos szerszám használata közben egy pillanatnyi figyelmetlenség is súlyos személyi sérülést okozhat.
 - b. **Használjon egyéni védőfelszerelést. Mindig viseljen védőszemüveget.** A védőfelszerelések, például porvédő maszk, csúszásmentes cipő, védősisak vagy hallásvédő csökkentik a személyi sérülés veszélyét.
 - c. **Gondoskodjon arról, hogy a szerszám ne indulhasson be véletlenül. Ellenőrizze, hogy az üzemi kapcsoló kikapcsolt állásban van-e, mielőtt a hálózatra és/vagy akkumulátorra kapcsolja, a kezébe veszi vagy magával viszi.** Ha az elektromos szerszám hordozása közben az újját a kapcsolón tartja, vagy bekapcsolt szerszámot helyez áram alá, balesetet okozhat.

d. **Mielőtt bekapcsolja az elektromos szerszámot, vegye le róla a szerelőkulcsot.** Forgó alkatrészen felejtett kulcs a szerszám beindulásakor személyi sérülést okozhat.

e. **Ne nyúljon ki túlságosan messzire. Kerülje a rendellenes testtartást, és egyensúlyát soha ne veszítse el munkavégzés közben.** Így jobban irányíthatja a szerszámot, még váratlan helyzetekben is.

f. **Megfelelő öltözéket viseljen. Ne hordjon ékszert vagy laza ruházatot munkavégzés közben. Haját, ruházatát és kesztyűjét tartsa távol a mozgó alkatrészekről.**

A laza öltözék, ékszerek vagy hosszú haj beakadhatnak a mozgó részekbe.

g. **Ha az adott eszközhöz porszívó és porgyűjtő is kapcsolható, ügyeljen ezek helyes csatlakoztatására és használatára.** Porszívó berendezés használatával nagymértékben csökkenthetők a por okozta veszélyek.

4. Elektromos szerszámok használata és gondozása

a. **Ne erőltesse az elektromos szerszámot. A munkafeladatnak megfelelő elektromos szerszámot használja.** A megfelelő szerszámmal jobban és biztonságosabban elvégezheti a munkát, ha a teljesítmény kategóriájának megfelelően használja.

b. **Ne használja az elektromos szerszámot, ha a kapcsoló nem működőképes.** Bármely elektromos szerszám használata, amely nem irányítható megfelelően az üzemi kapcsolóval, nagyon veszélyes, ezért azonnal meg kell javíttatni a kapcsolót, ha sérült vagy nem működőképes.

c. **Mielőtt beállítást végez vagy változtat, vagy tartozékot cserél a szerszámon, illetve mielőtt eltávolítja, húzza ki a dugaszát a konnektorból és/vagy válassza le az akkumulátorról.** Ezekkel a megelőző biztonságtechnikai intézkedésekkel csökkentik a szerszám véletlen beindulásának veszélyét.

d. **A használaton kívüli elektromos szerszámot olyan helyen tárolja, ahol gyermekek nem férhetnek hozzá; és ne engedje, hogy olyan személyek használják, akik nem ismerik a szerszámot vagy ezen útmutatásokat.** Az elektromos szerszámok használata nem képzett felhasználók kezében veszélyes lehet.

e. **Tartsa karban az elektromos szerszámokat. Ellenőrizze a részegységeket, olajozásukat, esetleg**

előforduló töréseit, a kézvédő vagy a kapcsoló sérüléseit és minden olyan **rendellenességet, amely befolyásolhatja a szerszám használatát. Ha a szerszám sérült, használat előtt javíttassa meg.**

A nem megfelelően karbantartott elektromos szerszámok számos balesetet okoznak.

f. **Tartsa élesen és tisztán a vágószerszámokat.**

A megfelelően karbantartott éles vágószerszám beszorulásának kisebb a valószínűsége, és könnyebben irányítható.

g. **Az elektromos szerszámot, tartozékokat, szerszámszárakat stb. ezeknek az útmutatásoknak megfelelően használja, a munkakörülmények és az elvégzendő feladat figyelembe vételével.** Az elektromos szerszám rendeltetésétől eltérő használata veszélyhelyzetet teremthet.

5. Akkumulátoros szerszámok használata és gondozása

a. **Csak a gyártó által előírt töltővel töltsze az akkumulátort.** Az a töltő, amely alkalmas egy bizonyos típusú akkumulátor töltésére, másik típusú akkumulátornál tűzveszélyt okozhat.

b. **Az elektromos szerszámot csak a kifejezetten hozzá készült akkumulátorral használja.** Másfajta akkumulátor használata sérülést vagy tüzet okozhat.

c. **Ha az akkumulátort nem használja, tartsa távol minden fémes tárgytól, például tűzőkapcsoktól, érméktől, kulcsoktól, szegektől, csavaroktól és minden más apró fémtárgytól, amelyek az érintkezőket rövidre zárhatnák.** Az akkumulátor pólusainak rövidzárlata égési sérülést vagy tüzet okozhat.

d. **Kedvezőtlen körülmények között előfordulhat, hogy az akkumulátorból folyadék ömlik ki; kerülje a vele való érintkezést. Ha véletlenül érintkezésbe kerül a folyadékkal, öblítse le vízzel. Ha a szembé került, ezen kívül forduljon orvoshoz is.** Az akkumulátorból kiömlő folyadék irritációt vagy égési sérülést okozhat.

6. Szerviz

a. **Javítást csak szakszerviz végezhet, és csak eredeti gyári alkatrészeket szabad felhasználni.** Ezzel biztosítja az elektromos szerszám folyamatosan biztonságos működését.

Elektromos szerszámokra vonatkozó kiegészítő biztonságtechnikai figyelmeztetések



Figyelmeztetés! Kiegészítő biztonságtechnikai előírások fűrészekhez

- ◆ **Használja a szerszámhoz mellékelt segédfogantyúkat.** A szerszám feletti uralom elvesztése személyi sérüléssel végződhet.
- ◆ **A szerszámot csak a szigetelt markolati felületeinél tartsa, amikor olyan munkát végez, amelynél a vágótartozék rejtett vezetékhez érhet.** Ha a tartozék áram alatt lévő vezetéket ér, a szerszám csupasz fémalkatrészei is áram alá kerülhetnek, és a kezelő áramütést szenvedhet.
- ◆ **A szerszámot csak a szigetelt markolati felületeinél tartsa, amikor olyan munkát végez, amelynél a kötőelem rejtett vezetékhez érhet.** Ha a rögzítőelem áram alatt lévő vezetéket ér, az elektromos szerszám fém alkatrészei is áram alá kerülhetnek, és a kezelő áramütést szenvedhet.
- ◆ **Leszorítókkal vagy más praktikus módon stabil felületre rögzítse és támassza meg a munkadarabot.** Ha a munkadarabot a kezében tartja vagy a testéhez támasztja, az instabillá válik, Ön pedig elveszítheti a szerszám feletti uralmát.
- ◆ Fal, padló vagy mennyezet fűrésze előtt tájékozódjon az elektromos- és csővezetékek elhelyezkedéséről.
- ◆ Közvetlenül fűrés után ne érjen a fűrészsár hegyéhez, mert a fűrés során felforrósodhatott.
- ◆ A szerszám rendeltetészerű használatát ebben a kézikönyvben ismertetjük. A kézikönyvben nem ajánlott tartozék vagy kiegészítő használata, illetve itt fel nem sorolt műveletek végzése személyi sérülés és/vagy dologi kár veszélyével jár.

Mások biztonsága

- ◆ Ezt a szerszámot nem használhatják olyan személyek (a gyermekeket is beleértve), akik nincsenek fizikai, érzékelési vagy mentális képességeik teljes birtokában, vagy nincs meg a szükséges tapasztalatuk és tudásuk, kivéve, ha a biztonságukért felelős személy felügyeletet vagy a készülék használatához megfelelő kioktatást biztosít számukra.

- ◆ Ügyeljen arra, hogy gyermekek ne játsszanak a szerszámmal.

Maradványkockázatok

A szerszám használata további, a biztonsági figyelmeztetések között esetleg fel nem sorolt maradványkockázatokkal is járhat. Ezek a szerszám nem rendeltetészerű vagy hosszú idejű használatából stb. adódhatnak.

Bizonyos kockázatok a vonatkozó biztonsági előírások betartása és a védőeszközök használata ellenére sem kerülhetők el. Ezek a következők lehetnek:

- ◆ forgó-mozgó alkatrészek megérintése miatti sérülések;
- ◆ alkatrészek, vágópengék, tartozékok cseréje közben bekövetkező sérülések;
- ◆ a szerszám hosszú idejű használata miatti sérülések; Ha a készüléket hosszú ideig használja, rendszeresen iktasson be szüneteket.
- ◆ halláskárosodás;
- ◆ a fűrészpör belégzése miatti egészségkárosodás, különös tekintettel a tölgy, bükk és rétegelt lemez anyagokra.

Súlyozott effektív rezgésgyorsulás

A műszaki adatlapon és a megfelelőségi nyilatkozatban feltüntetett súlyozott effektív rezgésgyorsulási értékeket az EN 60745 szabványnak megfelelően határoztuk meg, így azok felhasználhatók az egyes szerszámoknál mért értékek összehasonlítására is. A megadott érték felhasználható a súlyozott effektív rezgésgyorsulásnak való kitettség mértékének előzetes becsléséhez is.

Figyelmeztetés! A tényleges súlyozott effektív rezgésgyorsulási érték az elektromos szerszám használata során a használat módjától függően eltérhet a feltüntetett értéktől. A tényleges súlyozott effektív rezgésgyorsulás szintje az itt feltüntetett szint fölé is emelkedhet.

A 2002/44/EK irányelv által a géppel rendszeresen dolgozók számára megkövetelt szükséges biztonsági intézkedések meghatározásához végzett, a súlyozott effektív rezgésgyorsulásnak való kitettség kiértékelésénél a napi kitettséget jelentő időn túl figyelembe kell venni a tényleges használat körülményeit, illetve azt, hogy a szerszámot hogyan használják, ideértve a munkafolyamat minden egyes részét, pl. azokat az időszakokat is, amikor a szerszám ki van kapcsolva vagy üresen jár.

Címkék a szerszámon

A szerszámon a dátumkóddal együtt a következő piktogramok láthatók:



Figyelmeztetés! A sérülésveszély csökkentése érdekében a felhasználó feltétlenül olvassa át a kezelési kézikönyvet.

További biztonságtechnikai útmutatások akkumulátorokhoz és töltőkhöz (nincs a szerszámhoz mellékelve)

Akkumulátorok

- ◆ Soha, semmilyen okból ne próbálja szétbontani az akkumulátort.
- ◆ Vízről óvja.
- ◆ Ne tárolja olyan helyen, ahol a hőmérséklet 40 °C fölé emelkedhet.
- ◆ Csak 10 °C és 40 °C közötti környezeti hőmérsékleten töltsé.
- ◆ Csak a szerszámhoz mellékelte töltővel töltsé.
- ◆ Elhasznált akkumulátorok kiselejtezésénél tartsa be a „Környezetvédelem” című fejezet útmutatásait.



Ne kísérletezzen sérült akkumulátor töltésével.

Töltők

- ◆ A BLACK+DECKER töltővel csak a szerszámhoz mellékelte akkumulátort töltsé. Más akkumulátorok szétrobbanhatnak, személyi sérülést és anyagi kárt okozva.
- ◆ Soha ne kísérletezzen nem tölthető telepek töltésével.
- ◆ A hibás vezetéseket azonnal cseréltesse ki.
- ◆ Vízről óvja a töltőt.
- ◆ Ne bontsa szét a töltőt.
- ◆ Ne próbálgassa a töltőt mérőműszerrel.



A töltő csak beltéri használatra alkalmas.



Használat előtt olvassa el a kezelési útmutatót.

Elektromos biztonság



A töltő kettős szigetelésű, ezért nincs szükség földelésre. Mindig ellenőrizze, hogy a hálózati feszültség megfelel-e a készülék adattábláján megadott feszültségnek. Soha ne próbálja a töltőt hagyományos hálózati dugással helyettesíteni.

- ◆ Ha a hálózati kábel sérült, a veszély elkerülése érdekében cseréltesse ki a gyártóval vagy egyik megbízott BLACK+DECKER szakszervizzel.

Részegységek

Ez a szerszám a következő részegységek némelyikéből vagy mindegyikéből áll:

1. Fokozatváltó kapcsoló
2. Forgásirányváltó kapcsoló
3. Nyomatékállító gyűrű
4. Gyorscsérés tokmány
5. Akkumulátor
6. Akkumulátor kioldógombja
7. Töltő

Összeszerelés

Használat

Figyelmeztetés! Hagyja a szerszámot saját tempójában működni. Ne terhelje túl.

Az akkumulátor töltése (A ábra)

Az akkumulátort az első használat előtt és minden olyan esetben tölteni kell, amikor nem ad elég teljesítményt olyan munkánál, amelyet ugyanazzal a készülékkel korábban könnyedén el lehetett végezni. Töltés közben az akkumulátor melegekedhet, ami normális jelenség, nem jelent hibát.

Figyelmeztetés! Ne töltsé az akkumulátort 10 °C alatti vagy 40 °C feletti környezeti hőmérsékletnél. Javasolt töltési hőmérséklet: kb. 24 °C.

Tartsa szem előtt: A töltő nem tölti az akkumulátort, ha annak hőmérséklete kb. 10 °C alatt, ill. 40 °C felett van. Ilyenkor hagyja az akkumulátort a töltőben, és az automatikusan tölteni kezd, amint az akkumulátor a megfelelő hőmérsékletre felmelegszik vagy lehül.

- ◆ Dugaszolja a töltőt (8) egy szabványos, 230 V-os és 50 Hz-es konnektorra.
- ◆ Csúsztassa be az akkumulátort a töltőbe, ahogyan az A ábra szemlélteti.
- ◆ A zöld LED (9) villogása jelzi, hogy az akku töltése folyamatban van.
- ◆ A töltés befejezését a zöld LED folyamatos fénye jelzi. Az akkumulátor teljesen feltöltődött és az készen áll a használatra, vagy a töltőben is hagyhatja.

Figyelmeztetés! Addig ne használja a szerszámot, amíg a töltőre van kapcsolva.

Figyelmeztetés! Tűzveszély. Először mindig a töltő dugaszát húzza ki a konnektorból,

majd azután kapcsolja le a töltő vezetékét a szerszámról.

Az akkumulátor behelyezése és eltávolítása (B ábra)

Figyelmeztetés! Az akkumulátor behelyezése és eltávolítása előtt bizonyosodjon meg arról, hogy a szerszám reteszgombja be van kapcsolva, hogy a kapcsoló véletlenül ne léphessen működésbe.

Az akkumulátor behelyezése:

- ◆ Addig csúsztassa be az akkumulátort a szerszámba, amíg egy kattantást nem hall (B ábra).

Az akkumulátor eltávolítása a szerszámból (C ábra)

- ◆ Nyomja meg az akkumulátor kioldógombját (lásd a C ábrán), majd húzza ki az akkut a szerszámból.

Kezelési útmutató

Fogantyúkapcsoló és irányváltó gomb (D ábra)

- ◆ A fűrő a fogantyúkapcsoló (1) behúzásával és elengedésével kapcsolható be és ki. Minél jobban behúzza a fogantyúkapcsolót, annál gyorsabban működik a fűrő.
- ◆ Az irányváltó gombbal (2) változtatható a szerszám forgásiránya, és ugyanez a gomb reteszelőként is működik.
- ◆ Az előre forgásirány kiválasztásához engedje el a fogantyúkapcsolót, és nyomja balra az irányváltó gombot.
- ◆ A hátra forgásirány kiválasztásához az ellenkező irányba nyomja az irányváltó gombot.
- ◆ A szerszámot a forgásirányváltó kapcsoló középső állásába helyezésével reteszelteti.

Tartsa szem előtt! Az irányváltó gomb középső állásában a szerszám álló helyzetben reteszelve van. Csak a fogantyúkapcsoló elengedése után változtasson a gomb állásán.

Nyomatékszabályozás (E ábra)

Ez a szerszám egy nyomatékállító gyűrűvel (3) van ellátva, amelynek forgatásával megválaszthatja a kívánt üzemmódot és beállíthatja a csavarok behajtásához szükséges nyomatékot. Nagyobb csavarokhoz és keményebb anyagú munkadarabokhoz nagyobb nyomaték szükséges, mint a kisebb csavarokhoz és puhább anyagú munkadarabokhoz.

- ◆ Fúrásnál állítsa a gyűrűt a fűrőt jelképező szimbólumhoz.
- ◆ Csavarozásnál forgassa a gyűrűt a kívánt beállításhoz. Ha még nem tudja, mekkora nyomatékra lesz szüksége, a következőket tegye:
 - ◆ Állítsa a gyűrűt a legkisebb nyomatékra.
 - ◆ Hajtsa be az első csavart.
 - ◆ Ha a kuplung a kívánt eredmény elérése előtt kiold, állítsa a gyűrűt nagyobb nyomatékra, és folytassa a csavar behajtását. Ismételje ezt addig, amíg el nem érte a megfelelő beállítást. Ezt a beállítást alkalmazza a még hátralévő csavaroknál is.

Gyorscsérés tokmány (F. ábra)

Figyelmeztetés! Tartozékok behelyezése és eltávolítása előtt bizonyosodjon meg arról, hogy a szerszám reteszgombja be van kapcsolva, hogy a kapcsoló véletlenül ne léphessen működésbe. Fűrőszár vagy más tartozék beillesztése:

- ◆ Egyik kezével fogja meg a tokmány (10) hátulsó részét, a másikkal pedig forgassa a tokmány elülső részét (11) a tokmány végétől nézve az óramutató járásával ellenkező irányba.
- ◆ Illesse be a szerszámszárát vagy más tartozékot teljesen a tokmányba, majd a tokmány hátulsó részét tartva és az elülső részét a tokmány végétől nézve az óramutató járásának irányába forgatva húzza meg erősen.

Figyelmeztetés! Ne próbáljon fűrőszárát (vagy bármely más tartozékot) úgy befogni, hogy a tokmány elejét megmarkolja, és közben bekapcsolja a szerszámot. Tartozék cseréjénél károsodhat az egyperselyes tokmány, és személyi sérülés veszélye is fennáll.

Fúrás/csavarozás

- ◆ Az előre vagy hátra forgásirányt a forgásirány váltó kapcsolóval (2) választhatja ki.
- ◆ A szerszámot a fogantyúkapcsolóval (1) kapcsolhatja be. A kapcsoló behúzásának mértékével arányosan nő a szerszám fordulatszáma.
- ◆ A szerszámot a kapcsoló elengedésével kapcsolhatja ki.

Javaslatok a szerszám optimális használatához

Fúrás

- ◆ A fúrószárat mindig enyhén, tengelyének irányában nyomja.
- ◆ Amikor a fúrószár hegye már majdnem áthatolt a munkadarabon, csökkentse a szerszámra gyakorolt nyomást.
- ◆ A hasadásra hajlamos munkadarabokat támassza alá egy fadarabbal.
- ◆ Ha fában nagy átmérőjű furatot kíván létrehozni, faspírál fúrót használjon.
- ◆ Fémek fúrásához HSS fúrószárat használjon.
- ◆ Puha kőzetanyagokat kőzet-fúrószárral fúrjon.
- ◆ Fémek (öntöttvas és sárgaréz kivételével) fúrásához használjon kenőanyagot.
- ◆ A nagyobb pontosság végett pontozóval jelölje ki a leendő furat közepét.

Csavarozás

- ◆ Mindig a megfelelő típusú és méretű csavarozóhegyet használja.
- ◆ Ha a csavar csak nehezen hajtható be, kenőanyagként tegyen egy kevés folyékony mosószert vagy szappant a csavarra.
- ◆ Mindig a csavarral egy vonalban tartsa a szerszámot és a csavarozóhegyet.

Hibaelhárítás

Hiba	Lehetséges ok	Lehetséges megoldás
A szerszám nem indul be.	Az akkumulátor nincs feltöltve.	Ellenőrizze, milyen előírások vonatkoznak az akku töltésére.
Az akkumulátor nem töltődik.	A töltő nincs bedugaszolva.	Dugaszolja töltőt működő hálózati aljzatra.
	A környező levegő túl meleg vagy túl hideg.	Vigye a töltőt és az akkumulátort olyan környezetbe, ahol a levegő hőmérséklete 4,5 °C és +40,5 °C között van.

Hiba	Lehetséges ok	Lehetséges megoldás
A készülék hirtelen lezár.	Az akku hőmérséklete elérte a maximális határértéket.	Hagyja hűlni az akkumulátort.
	Nincs töltés. (Az akkumulátor maximális élettartama érdekében úgy terveztük, hogy hirtelen lezárjon, amint lemerült a töltés.)	Helyezze a töltőre, és hagyja töltődni.

Karbantartás

Az Ön BLACK+DECKER szerszámát minimális karbantartás melletti hosszú távú használatra terveztük. A szerszám folyamatosan kielégítő működése függ a gondos ápolástól és a rendszeres tisztítástól is.

Az Ön töltőkészüléke a rendszeres tisztításon kívül más karbantartást nem igényel.

Figyelmeztetés! Mielőtt bármilyen karbantartási műveletbe kezdene, vegye ki a szerszámból az akkumulátort. Tisztítás előtt áramtalanítsa a töltőt.

- ◆ Puha kefével vagy száraz ronggyal rendszeresen tisztítsa meg a szerszám és a töltő szellőzőnyílásait.
- ◆ A motorburkolatot nedves ronggyal rendszeresen tisztítsa meg. Ne használjon súroló hatású vagy oldószer alapú tisztítószert.
- ◆ Rendszeresen nyissa ki a tokmányt és ütögesse meg, hogy a belsejéből kihulljon a por.

Környezetvédelem



Elkülönítve gyűjtendő. Ezt a terméket el kell különíteni a normál háztartási hulladéktól.

Egy napon, amikor BLACK+DECKER terméke eléri technikai élettartamának végét, vagy nincs további szüksége rá, gondoljon a környezetvédelemre. Ezt a terméket a normál háztartási hulladéktól elkülönítve kell megsemmisíteni.



Az elhasznált termékek és csomagolásuk elkülönített begyűjtése lehetővé teszi ezek újrahasznosítását. Újrahasznosított vagy újra feldolgozott anyagok segítségével a környezetszennyezés, illetve a nyersanyagok iránti igény nagymértékben csökkenthető.

A helyi előírások rendelkezhetnek az elektromos termékek háztartási hulladéktól elkülönített begyűjtéséről, helyhatósági hulladéklerakó helyeken vagy a kereskedők által új termék megvásárlásakor.

A BLACK+DECKER lehetőséget biztosít a BLACK+DECKER termékek begyűjtésére és újrafeldolgozására, amint azok elérték élettartamuk végét. Ez a szolgáltatás ingyenes. Ha igénybe veszi, kérjük, juttassa el a terméket a legközelebbi márkaszervizbe, melyekről a Magyarországi Képviseletnél érdeklődhet.

Az Önhöz legközelebbi márkaszerviz címét a BLACK+DECKER Magyarországi Képviseletétől vagy ebből a kézikönyvből tudhatja meg. A megbízott BLACK+DECKER szervizek listáját, valamint eladás utáni szolgáltatásainkat és kapcsolattartóinkat részletesen megtalálja a következő honlapon: www.2helpU.com.

Akkumulátorok



Nincsenek benne felhasználó által szervizelhető alkatrészek.

- Élettartamának lejártá után a terméket egészben juttassa el a szervizbe vagy egyik helyi újrahasznosító telepre, hogy újrahasznosítsák az akkumulátort. A készüléket ne a háztartási hulladékkal együtt dobja ki.

Műszaki adatok

	BDCDD12
Feszültség	V_{DC} 10,8
Üresjárat fordulatszám	min^{-1} 0-550 rpm
Maximális nyomaték	Nm 12,5/26
Tokmány kapacitása	mm 1-10
Maximális fúrési kapacitás	
Fém/Fa	mm 10/25
Súly	kg 0,98

Töltő	90589867
Felvett feszültség	V_{AC} 230
Leadott feszültség	V_{DC} 10,8
Áramerősség	mA 200
Töltési idő kb.	Óra 8

Töltő	90590287-02
Felvett feszültség	V_{AC} 230
Leadott feszültség	V_{DC} 10,8
Áramerősség	mA 400
Töltési idő kb.	Óra 3 - 5

Töltő	90599854-06
Felvett feszültség	V_{AC} 230
Leadott feszültség	V_{DC} 10,8
Áramerősség	Amper 1
Töltési idő kb.	Óra 1,5

Akkumulátor	BL1512
Feszültség	V_{AC} 10,8
Kapacitás	Ah 1,5
Típus	Li-ion

Hangnyomásszint az EN 60745 szabvány szerint:

Hangnyomás (L_{pA}) 63 dB(A), toleranciafaktor (K) 3 dB(A), Hangteljesítményszint (L_{WA}) 74 dB(A), toleranciafaktor (K) 3 dB(A)

Súlyozott effektív rezgésgyorsulás összértéke (három tengely vektorösszege) az EN 60745 szabvány szerint:

Fúrás fémbe ($a_{h,D}$) < 2,5 m/s^2 , toleranciafaktor (K) 1,5 m/s^2 , Csavarozás ütés nélkül ($a_{h,D}$) < 2,5 m/s^2 , toleranciafaktor (K) 1,5 m/s^2

CE megfelelési nyilatkozat
GÉPEKRE VONATKOZÓ IRÁNYELV**BDCDD12 - Fűró-csavarozó**

A Black & Decker kijelenti, hogy a „Műszaki adatok” című fejezetben ismertetett termékek megfelelnek a következő irányelveknek és szabványoknak: 2006/42/EK, EN 60745-1, EN 60745-2-1, EN 60745-2-2.

Ezek a termékek megfelelnek a 2004/108/EK irányelvnek (2016.04.19-ig), a 2014/30/EU irányelvnek (2016.04.20-tól), valamint a 2011/65/EU irányelvnek is. További tájékoztatásért forduljon a Black & Decker vállalathoz a következőkben megadott vagy a kézikönyv végén megtalálható elérhetőségeken.

Az aláírás tulajdonosa a műszaki adatok összeállításáért felelős személy; nyilatkozatát a Black & Decker vállalat nevében adja.

R. Laverick
Műszaki igazgató
Black & Decker Europe
210 Bath Road, Slough
Berkshire, SL1 3YD
Egyesült Királyság
2015/07/14

Az Önhöz legközelebb eső hivatalos márkaszervizt a kézikönyvben megadott helyi Black & Decker képviselő segítségével érheti el. Alternatív megoldásként a szerződött Black & Decker szervizek listája, illetve az eladásutáni szolgáltatásaink és ezek elérhetőségének részletes ismertetése a következő internetes címen érhető el:
www.2helpU.com.

Kérjük, látogassa meg a **www.blackanddecker.hu** weboldalunkat, hogy regisztrálja az új BLACK+DECKER termékét, ill. hogy megismerje az új termékeinkkel és egyedi ajánlatainkkal kapcsolatos legújabb híreinket. A BLACK+DECKER márkával és termékválasztékunkkal kapcsolatos további tájékoztatást a **www.blackanddecker.hu** internetes címen találhat.

Zastosowanie zgodne z przeznaczeniem

Wiertarko-wkrętarka akumulatorowa BLACK+DECKER nr kat.BDCDD12 jest przeznaczona do wiercenia otworów w drewnie, metalu, tworzywach sztucznych i murze oraz wykręcania wkrętów. To urządzenie nie jest przeznaczone dla zastosowań profesjonalnych i przemysłowych.

Przepisy bezpieczeństwa

Ogólne wskazówki bezpieczeństwa pracy urządzenia



Ostrzeżenie! Przeczytaj wszystkie zamieszczone tutaj wskazówki bezpieczeństwa. Nieprzestrzeganie ich może doprowadzić do porażenia prądem elektrycznym, pożaru, a nawet ciężkiego urazu ciała.

Przechowuj niniejszą instrukcję, by w razie potrzeby móc z niej ponownie skorzystać. Używane tutaj wyrażenie „urządzenie” oznacza zarówno urządzenie sieciowe (z kablem sieciowym) jak i akumulatorowe (bez kabla sieciowego).

1. Bezpieczeństwo w obszarze pracy

- a. **Utrzymuj porządek w miejscu pracy i dobrze je oświetlaj.** Bałagan i niewystarczające oświetlenie grożą wypadkiem.
- b. **Nie używaj urządzeń w otoczeniu zagrożonym wybuchem, gdzie występują palne pary, gazy lub pyły.** Urządzenia wytwarzają iskry, które mogą spowodować zapalenie się tych substancji.
- c. **Nie dopuszczaj dzieci ani innych osób do miejsca pracy.** Mogą one odwrócić uwagę od wykonywanych czynności, co grozi wypadkiem.

2. Bezpieczeństwo elektryczne

- a. **Wtyczka kabla urządzenia musi pasować do gniazda sieciowego i w żadnym wypadku nie wolno jej przerabiać.** Gdy urządzenie zawiera uzziemienie ochronne, nie używaj żadnych wtyczek adaptacyjnych. Oryginalne wtyczki i pasujące do nich gniazda sieciowe zmniejszają ryzyko porażenia prądem elektrycznym.
- b. **Unikaj dotykania uziemionych elementów, jak na przykład rury, grzejniki, piece i chłodziarki.** Gdy ciało jest uziemione,

porażenie prądem elektrycznym jest o wiele niebezpieczniejsze.

- c. **Nie wystawiaj urządzeń na działanie deszczu ani wilgoci.** Przedostanie się wody do wnętrza obudowy grozi porażeniem prądem elektrycznym.
 - d. **Ostrożnie obchodź się z kablem. Nigdy nie używaj go do przenoszenia urządzenia ani wyjmowania wtyczki z gniazda sieciowego. Chroń kabel przed wysoką temperaturą, olejem, ostrymi krawędziami i ruchomymi elementami.** Uszkodzony lub zaplątany kabel może spowodować porażenie prądem elektrycznym.
 - e. **Przy pracy na wolnym powietrzu stosuj tylko przeznaczone do tego celu przedłużacze.** Posługiwanie się odpowiednimi przedłużaczami zmniejsza ryzyko porażenia prądem elektrycznym.
 - f. **W razie konieczności użycia urządzenia w wilgotnym otoczeniu zabezpiecz obwód zasilania wyłącznikiem ochronnym różnicowo-prądowym.** Zastosowanie takiego wyłącznika zmniejsza ryzyko porażenia prądem elektrycznym.
- #### 3. Bezpieczeństwo osobiste
- a. **Zawsze zachowuj uwagę, koncentruj się na swojej pracy i rozsądnie postępuj z urządzeniem. Nie używaj go, gdy jesteś zmęczony lub znajdujesz się pod wpływem narkotyków, alkoholu czy też leków.** Chwila nieuwagi w czasie pracy grozi bardzo poważnymi konsekwencjami.
 - b. **Stosuj odpowiednie wyposażenie ochronne. Zawsze zakładaj okulary ochronne.** Wyposażenie ochronne, jak maska przeciwpyłowa, obuwie na szorstkiej podeszwie, kask ochronny lub naszelniki ochronne, zależnie od rodzaju i zastosowania urządzenia zmniejszają ryzyko doznania urazu.
 - c. **Unikaj niezamierzonego załączania. Przed przyłączeniem urządzenia do sieci lub akumulatora, zanim zaczniesz nim manipulować lub go transportować sprawdź, czy jest wyłączony wyłącznik.** Przenoszenie urządzenia z palcem opartym na wyłączniku lub przyłączanie go do sieci przy włączonym wyłączniku zwiększa ryzyko wypadku.
 - d. **Przed załączeniem urządzenia sprawdź, czy zostały wyjęte klucze i przyrządy**

nastawcze. Klucz pozostawiony w obracającej się części może doprowadzić do urazu ciała.

- e. **Nie pochylaj się za bardzo do przodu! Utrzymuj stabilną postawę, by nie stracić równowagi w jakiejś pozycji roboczej.** Takie postępowanie umożliwia zachowanie lepszej kontroli nad urządzeniem w nieoczekiwanych sytuacjach.
- f. **Zakładaj odpowiednią odzież ochronną. Nie noś luźnej odzieży ani biżuterii. Włosy, odzież i rękawice trzymaj z dala od ruchomych elementów.** Luźna odzież, biżuteria lub długie włosy mogą zostać pochwycone przez obracające się części narzędzia.
- g. **Gdy producent przewidział urządzenia do odsysania lub gromadzenia pyłu, sprawdź, czy są one przyłączone i prawidłowo zamontowane.** Stosowanie tych urządzeń zmniejsza zagrożenie zdrowia pyłem.

4. Obsługa i konserwacja urządzeń

- a. **Nie przeciążaj urządzenia. Używaj narzędzi odpowiednich do danego przypadku zastosowania.** Najlepszą jakość i osobiste bezpieczeństwo osiągniesz, tylko stosując właściwe narzędzia.
- b. **Nie używaj urządzenia z uszkodzonym wyłącznikiem.** Urządzenie, które nie daje się normalnie załączyć lub wyłączyć, jest niebezpieczne i trzeba je naprawić.
- c. **Przed dokonaniem jakichkolwiek regulacji, przed wymianą akcesoriów lub odłożeniem urządzenia zawsze wyjmuj wtyczkę kabla z gniazda sieciowego.** Ten środek ostrożności zmniejsza ryzyko niezamierzonego uruchomienia urządzenia.
- d. **Niepotrzebne w danej chwili urządzenia przechowuj w miejscu niedostępnym dla dzieci. Nie pozwalaj używać ich osobom, które nie są z nimi obeznane lub nie przeczytały niniejszej instrukcji.** Narzędzia w rękach niedoświadczonych osób są niebezpieczne.
- e. **Utrzymuj urządzenia w nienagannym stanie technicznym. Sprawdzaj, czy ruchome elementy obracają się w odpowiednim kierunku, nie są zakleszczone, pęknięte ani tak uszkodzone, że nie zapewniają prawidłowego funkcjonowania urządzenia. Uszkodzone urządzenia przed użyciem**

należy naprawić. Powodem wielu wypadków jest niewłaściwa konserwacja urządzeń.

- f. **Ostrz i utrzymuj w czystości swoje narzędzia robocze.** Starannie konserwowane, ostre narzędzia robocze rzadziej się zakleszczają i łatwiej nimi pracować.
 - g. **Urządzeń, akcesoriów, końcówek itp. używaj zgodnie z przeznaczeniem. Przestrzegaj przy tym obowiązujących przepisów bhp.** Wykorzystywanie urządzeń wbrew przeznaczeniu jest niebezpieczne.
- #### 5. Obsługa i konserwacja urządzeń akumulatorowych
- a. **Akumulatory ładuj tylko w ładowarkach przewidzianych do tego celu przez producenta.** Włożenie do ładowarki innego rodzaju akumulatora, niż przewidziany przez producenta, grozi pożarem.
 - b. **Stosuj tylko akumulatory przeznaczone do danego rodzaju urządzeń.** Używanie innych akumulatorów stwarza ryzyko doznania urazu ciała i pożaru.
 - c. **Wyjęte akumulatory trzymaj z dala od metalowych przedmiotów, jak spinacze biurowe, monety, klucze, gwoździe lub śruby, które mogą spowodować zwarcie biegunów.** Zwarcie zacisków akumulatora grozi oparzeniem lub pożarem.
 - d. **Z powodu niewłaściwego zastosowania z akumulatora może wyciekać elektrolit. Nie dotykaj go. W razie niezamierzonego kontaktu natychmiast splucz wodą zanieczyszczone miejsce. Gdyby elektrolit przysnął w oczy, niezwłocznie zgłoś się do lekarza.** Wyciekły elektrolit może spowodować podrażnienie lub oparzenia skóry.

6. Serwis

- a. **Naprawy urządzeń mogą być wykonywane tylko przez uprawnionych specjalistów przy użyciu oryginalnych części zamiennych.** Jest to istotnym warunkiem zapewnienia bezpieczeństwa pracy.

Dodatkowe wskazówki bezpieczeństwa dla urządzenia



Ostrzeżenie! Dodatkowe wskazówki bezpieczeństwa pracy wiertarek.

- ♦ **Korzystaj z dodatkowych rękojeści należących do zakresu dostawy**

elektronarzędzia. Utrata panowania nad urządzeniem może skutkować urazem ciała.

- ◆ **W razie niebezpieczeństwa uszkodzenia ukrytych przewodów elektrycznych trzymaj urządzenie za izolowane rękojeści.** Narzędzie robocze ma elektryczne połączenie z gołymi metalowymi elementami urządzenia, co grozi porażeniem prądem elektrycznym w przypadku natrafienia na będący pod napięciem przewód.
- ◆ **W razie niebezpieczeństwa uszkodzenia ukrytych przewodów elektrycznych trzymaj urządzenie za izolowane rękojeści.** Elementy łączące mają elektryczne połączenie z gołymi metalowymi elementami urządzenia, co grozi porażeniem prądem elektrycznym w przypadku natrafienia na będący pod napięciem przewód.
- ◆ **Używaj ścisków stolarskich lub podobnych środków do mocowania przedmiotu obrabianego na stabilnej powierzchni.** Przytrzymywanie przedmiotu obrabianego ręką lub ciałem grozi utratą panowania nad urządzeniem.
- ◆ Przed rozpoczęciem wiercenia w ścianach, podłogach i sufitach poinformuj się dokładnie, jak przebiegają przewody i rury.
- ◆ Unikaj dotykania ostrza wiertła tuż po zakończeniu wiercenia, gdyż może być gorące.
- ◆ W instrukcji tej opisano zgodne z przeznaczeniem zastosowanie urządzenia. Używanie innych nasadek lub akcesoriów, niż zalecane w tej instrukcji, lub wykonywanie prac niezgodnych z przeznaczeniem grozi doznaniem urazu ciała i/lub szkód rzeczowych.

Bezpieczeństwo innych osób

- ◆ Zabrania się używania tego urządzenia przez dzieci i osoby o ograniczonej sprawności fizycznej, czuciowej lub umysłowej. To samo dotyczy początkujących, chyba że znajdują się pod nadzorem doświadczonego użytkownika.
- ◆ Pilnuj dzieci, by nie bawiły się tym urządzeniem.

Pozostałe zagrożenia

Przy korzystaniu z urządzeń elektrycznych występują dodatkowe zagrożenia być może nieuwzględnione w przepisach bezpieczeństwa. Z reguły zachodzą one w przypadku niewłaściwego lub zbyt długiego używania urządzenia.

Nawet przy przestrzeganiu odnośnych przepisów bezpieczeństwa i stosowaniu przewidzianych urządzeń zabezpieczających nie da się uniknąć pewnych zagrożeń. Zaliczają się do nich:

- ◆ Obrażenia ciała wskutek dotknięcia obracających się/ruchomych elementów.
- ◆ Skaleczenia, jakich można doznać przy wymianie elementów, noży i akcesoriów.
- ◆ Narażenie zdrowia przy dłuższym używaniu urządzenia. W takich sytuacjach rób regularne przerwy w pracy.
- ◆ Pogorszenie słuchu.
- ◆ Upośledzenie zdrowia wskutek wdychania pyłu (np. powstającego podczas obróbki drewna, a zwłaszcza dębu, buku i MDF).

Wibracje

Ważone częstotliwościowo wartości skuteczne przyspieszenia drgań na rękojeści podane w danych technicznych i deklaracji zgodności UE zostały zmierzone standardową metodą opisaną w normie EN 60745, dzięki czemu można je wykorzystywać do porównań z innymi urządzeniami i do tymczasowej oceny ekspozycji drganiowej.

Uwaga! Ważona wartość skuteczna przyspieszenia drgań w praktyce może się różnić od podanej wartości zależnie od sposobu wykorzystania urządzenia i nie da się wykluczyć jej przekroczenia.

Przy szacowaniu ekspozycji drganiowej w celu podjęcia wymaganych przez normę 2002/44/EG środków bezpieczeństwa dla ochrony osób zawodowo, regularnie używających narzędzi trzeba też uwzględnić rzeczywiste warunki pracy, a także, jak długo w danym czasie narzędzie pozostawało wyłączone i jak długo pracowało na biegu jałowym.

Naklejki na urządzeniu

Na urządzeniu umieszczono następujące piktogramy ostrzegawcze oraz kod daty:




Ostrzeżenie! By nie narażać się na doznanie urazu, przed użyciem przeczytaj instrukcję obsługi.

Dodatkowe wskazówki bezpieczeństwa pracy akumulatorów i ładowarek (nie są uwzględnione w dostawie)

Akumulatory


- ◆ W żadnym wypadku nie otwieraj akumulatora.


- ◆ Nie wystawiaj akumulatora na działanie wilgoci.
- ◆ Nie składuj akumulatora w miejscu, w którym temperatura może przekroczyć 40 °C.
- ◆ Akumulator ładuj tylko w temperaturze otoczenia między 10 °C i 40 °C.
- ◆ Akumulator ładuj tylko za pomocą dostarczonej ładowarki.
- ◆ Przy użyciu akumulatorów przestrzegaj wskazówek zamieszczonych w punkcie „Ochrona środowiska”.

 Nigdy nie ładuj uszkodzonych akumulatorów.


Ładowarki

- ◆ Ładowarki BLACK+DECKER używaj tylko do ładowania akumulatorów dostarczonych wraz z wkrętarką. Inne akumulatory mogą pęknąć, co grozi wyrządzeniem szkód rzeczowych i osobowych.
- ◆ Nigdy nie próbuj ładować baterii.
- ◆ Natychmiast wymieniaj uszkodzone kable.
- ◆ Nie wystawiaj ładowarki na działanie wilgoci.
- ◆ Nie otwieraj ładowarki.
- ◆ Nie dokonuj żadnych przeróbek w ładowarce.

 Ładowarka nie jest dopuszczona do pracy na wolnym powietrzu!

 Przed użyciem przeczytaj instrukcję obsługi.

Bezpieczeństwo elektryczne

 Ładowarka ta jest podwójnie zaizolowana i dlatego żyła uziemiająca nie jest potrzebna. Zawsze sprawdzaj, czy lokalne napięcie sieciowe odpowiada wartości podanej na tabliczce znamionowej. Nigdy nie przyłączaj ładowanego urządzenia bezpośrednio do sieci.

- ◆ W razie uszkodzenia kabla sieciowego zleć wymianę producentowi lub autoryzowanemu warsztatowi serwisowemu BLACK+DECKER. Postępowanie wbrew temu nakazowi naraża użytkownika na niebezpieczeństwo.

Elementy wiertarko-wkrętarki

Elektronarzędzie to zawiera niektóre lub wszystkie spośród niżej wymienionych elementów:

1. Wyłącznik z regulatorem prędkości obrotowej
2. Przełącznik kierunku obrotów w prawo/w lewo
3. Nastawnik momentu obrotowego

4. Uchwyt wiertarski szybkozaciskowy
5. Akumulator
6. Przycisk zwalnający akumulatora
7. Ładowarka

Montaż

Zastosowanie

Ostrzeżenie! Nie przyspieszaj pracy na siłę. Unikaj przeciążenia wiertarko-wkrętarki.

Ładowanie akumulatora (rys. A)

Akumulator należy naładować przed pierwszym użyciem wiertarko-wkrętarki i gdy jej moc zaczyna wyczuwalnie spadać. Podczas ładowania akumulator może się nagrzewać, ale jest to normalne zjawisko, które nie świadczy o usterce. **Ostrzeżenie!** Nie ładuj akumulatora, gdy temperatura otoczenia jest niższa niż 10 °C lub wyższa niż 40 °C. Zalecana temperatura ładowania wynosi ok. 24 °C.

Wskazówka: Ładowarka nie ładuje akumulatora, gdy jego temperatura jest niższa niż ok. 10 °C lub wyższa niż 40 °C. Pozostaw akumulator w ładowarce. Ładowarka zacznie go ładować, gdy tylko temperatura ta osiągnie prawidłową wartość.

- ◆ Przyłącz ładowarkę (8) do sieci prądu przemennego (230 V, 50 Hz).
- ◆ Włóż akumulator do ładowarki, jak pokazano na rysunku A.
- ◆ Zaczyna migać zielona dioda świecąca (9), informując, że akumulator jest ładowany.
- ◆ Gdy wskaźnik ten zapali się na stałe, to znaczy że akumulator został całkowicie naładowany. Można go użyć lub pozostawić w ładowarce.

Ostrzeżenie! Nie używaj wiertarko-wkrętarki, gdy jest połączona z ładowarką.

Ostrzeżenie! Niebezpieczeństwo pożaru. By odłączyć wiertarko-wkrętarkę od ładowarki, najpierw odłącz ładowarkę od sieci, a następnie kabel zasilający od wiertarko-wkrętarki.

Wkładanie i wyjmowanie akumulatora (rys. B)

Ostrzeżenie! Przed włożeniem lub wyjęciem akumulatora zablokuj wiertarko-wkrętarkę przełącznikiem kierunku obrotów, by nie narażała się na jej przypadkowe uruchomienie. By włożyć akumulator:

- ◆ Wsuń go do kieszeni wiertarko-wkrętarki i wcisnij aż do zatrzaśnięcia (rys. B).

Wymowanie akumulatora (rys. C)

- ◆ Naciśnij przycisk zwalniający i jednocześnie wyciągnij akumulator z kieszeni (jak pokazano na rysunku C).

Obsługa


Wyłącznik i przełącznik kierunku obrotów w prawo/w lewo (rys. D)

- ◆ Wiertarko-wkrętarkę załącza się i wyłącza wyłącznikiem (1). Im głębiej go naciśniesz, tym większa będzie prędkość obrotowa wrzeczona.
- ◆ Przełącznik kierunku obrotów w prawo/w lewo (2) służy jednocześnie jako blokada wiertarko-wkrętarki.
- ◆ By uzyskać obroty w prawo, zwolnij wyłącznik i naciśnij przełącznik w lewo.
- ◆ By uzyskać obroty w lewo, zwolnij wyłącznik i naciśnij przełącznik w prawo.
- ◆ By zablokować wiertarko-wkrętarkę, przesunąć przełącznik do środkowej pozycji.

Wskazówka! W środkowej pozycji przełącznika wiertarko-wkrętarka jest zablokowana. Przy jego przestawianiu wyłącznik musi być zwolniony.

Wybór momentu obrotowego (rys. E)

Wiertarko-wkrętarka jest wyposażona w pierścień nastawczy momentu obrotowego pomocny przy wkręcaniu wkrętów. Duże wkręty i twarde przedmioty wymagają większego momentu obrotowego niż w przypadku małych wkrętów i miękkich przedmiotów.

- ◆ W celu wiercenia obróć pierścień do pozycji, w której strzałka wskazuje na symbol wiertła .
- ◆ W celu wkręcania wkrętów wybierz pierścieniem żądany moment obrotowy. Jeżeli nie znasz najkorzystniejszego ustawienia, wykonaj następujące próby:
 - ◆ Pierścień nastawczy obróć do pozycji o najmniejszym momencie obrotowym.
 - ◆ Przy tym ustawieniu wkręć pierwszy wkręt.
 - ◆ Gdy sprzęgło za szybko rozłączy napęd, przestaw pierścień na większą wartość i kontynuuj wkręcanie. Powtórz tę procedurę aż do uzyskania optymalnego momentu obrotowego. Wkręć przy nim pozostałe wkręty.

Uchwyt wiertarki szybkoszaciskowy (rys. F)

Ostrzeżenie! Przed włożeniem lub wyjęciem akumulatora zablokuj wiertarko-wkrętarkę

przełącznikiem kierunku obrotów, by nie narażać się na jej przypadkowe uruchomienie. By zamocować końcówkę wkrętarską lub inne narzędzie robocze:

- ◆ Jedną ręką chwyć tylną część uchwytu wiertarskiego (10), a drugą ręką obróć przednią część (11) w lewo (patrzac od końca uchwytu wiertarskiego).
- ◆ Włóż chwyt końcówki wkrętarskiej lub innego narzędzia roboczego w chwyt wiertarski i zamocuj go. W tym celu jedną ręką chwyć tylną część uchwytu wiertarskiego, a drugą ręką obróć przednią część w prawo (patrzac od końca uchwytu wiertarskiego).

Ostrzeżenie! Nigdy nie próbuj mocowania końcówki wkrętarskiej lub innego narzędzia roboczego przez przytrzymywanie uchwytu wiertarskiego i załączenie elektronarzędzia. Może przy tym ulec uszkodzeniu chwyt wiertarski i grozi to doznaniem urazu.

Wiercenie/wkręcanie i wykrecanie wkrętów

- ◆ Przełącznikiem kierunku obrotów (2) wybierz obroty w prawo bądź w lewo.
- ◆ By załączyć wiertarko-wkrętarkę, naciśnij wyłącznik (1). Prędkość obrotowa uchwytu wiertarskiego zależy od tego, jak mocno naciśnie się wyłącznik.
- ◆ By wyłączyć wiertarko-wkrętarkę, zwolnij wyłącznik.

Porady, jak osiągnąć najlepsze wyniki pracy

Wiercenie

- ◆ Wywieraj tylko lekki nacisk w osi wiertła.
- ◆ Gdy poczujesz, że przedmiot obrabiany jest już prawie przewiercony, zmniejsz nacisk na wiertło, by nie przebić materiału.
- ◆ Przy wierceniu otworów w przedmiotach, które łatwo odpryskują lub pękają, podłóż z tyłu drewniany klocek.
- ◆ Duże otwory w drewnie najlepiej jest wiercić przy użyciu wiertel piórkowych.
- ◆ Do wiercenia otworów w metalach najlepsze są wiertła ze stali szybko tnącej.
- ◆ Do wiercenia otworów w murze zastosuj wiertło odpowiednie do tego celu.
- ◆ Przy wierceniu otworów w innych metalach niż żeliwo i mosiądz stosuj chłodziwo.
- ◆ By ustalić dokładną pozycję otworu, zaznacz go punktami.

Wkręcanie i wykręcanie wkrętów

- ◆ Zawsze stosuj końcówki odpowiedniego rodzaju i odpowiedniej wielkości.
- ◆ Gdy wkręty dają się wkręcać z trudem, zwilż je niewielką ilością płynu do mycia naczyń lub posmaruj mydłem jako środkiem smarnym.
- ◆ Uchwyt wiertarski i końcówkę zawsze utrzymuj w osi wkrętu.

Wykrywanie i usuwanie usterek

Usterka	Możliwa przyczyna	Środek zaradczy
Wiertarko-wkrętarka nie załącza się.	Akumulator nie jest naładowany.	Sprawdź wymagania dotyczące ładowania akumulatora.
Akumulator nie daje się naładować.	Ładowarka nie jest przyłączona do sieci.	Przyłącz ładowarkę do sprawnego gniazda sieciowego.
	Temperatura otoczenia jest za niska lub za wysoka.	Ustaw ładowarkę w miejscu o temperaturze otoczenia powyżej 4,5 °C i poniżej 40,5 °C.
Wiertarko-wkrętarka nagle się wyłącza.	Akumulator przekroczył maksymalną dopuszczalną temperaturę pracy.	Ochłódź akumulator.
	Brak ładunku (dla zwiększenia trwałości użytkowej akumulatora urządzenie jest tak skonstruowane, że po zużyciu ładunku nagle się wyłącza).	Włóż akumulator do ładowarki i naładuj go.

Konserwacja

Urządzenie BLACK+DECKER odznacza się dużą trwałością użytkową i prawie nie wymaga konserwacji. Jednak w celu zapewnienia ciągłej, bezawaryjnej pracy niezbędne jest jej regularne czyszczenie.

Ładowarka nie wymaga żadnej konserwacji z wyjątkiem regularnego czyszczenia.

Ostrzeżenie! Przed rozpoczęciem wykonywania jakichkolwiek prac konserwacyjnych wyjmij akumulator z elektronarzędzia. Zanim zaczniesz czyścić ładowarkę, odłącz ją od sieci.

- ◆ Za pomocą miękkiej szczoteczki lub suchej szmaty regularnie czyść szczeliny wentylacyjne we wiertarko-wkrętarce i ładowarce.
- ◆ Wilgotną szmatą systematycznie przecieraj obudowę silnika. Nie używaj żadnych ściernych środków czyszczących ani takich, które zawierają rozpuszczalniki.
- ◆ Regularnie czyść uchwyt wiertarski. W tym celu otwórz go i, lekko ostukując, usuń zgromadzony we wnętrzu pył.

Ochrona środowiska



Selektywna zbiórka odpadów. Wyrobu tego nie wolno wyrzucać do normalnych śmieci z gospodarstw domowych.

Gdy pewnego dnia poczujesz się zmuszony zastąpić wyrób BLACK+DECKER nowym sprzętem lub nie będziesz go już potrzebować, w trosce o ochronę środowiska nie wyrzucaj go do śmieci z gospodarstw domowych, a jedynie oddaj do specjalistycznego zakładu utylizacji odpadów.



Dzięki selektywnej zbiórce zużytych wyrobów i opakowań niektóre materiały mogą być odzyskane i ponownie wykorzystane. W ten sposób chroni się środowisko naturalne i zmniejsza popyt na surowce.

Stosuj się do lokalnych przepisów, jeżeli wymagają one oddawania zużytych elektrycznych urządzeń powszechnego użytku do specjalnych punktów zbiorczych lub zobowiązują sprzedawców do przyjmowania ich przy zakupie nowego wyrobu.

BLACK+DECKER chętnie przyjmuje wystużone urządzenia BLACK+DECKER i utylizuje je zgodnie z obowiązującymi przepisami. By skorzystać z tej usługi, oddaj zużyty sprzęt do autoryzowanego warsztatu naprawczego, który prowadzi zbiórkę w naszym imieniu.

Możesz sprawdzić lokalizację najbliższego autoryzowanego serwisu kontaktując się z biurami BLACK+DECKER wskazanymi w tej instrukcji. Dodatkowo listę adresów autoryzowanych serwisów BLACK+DECKER oraz szczegóły o serwisie pogwarancyjnym znajdziesz także w Internecie pod adresem: www.2helpU.com.

Akumulatory



Wewnątrz nie ma żadnych części podlegających konserwacji

- ◆ Uszkodzony produkt oddaj do warsztatu serwisowego lub komunalnego zakładu utylizacji odpadów. W żadnym wypadku nie wrzucaj go do śmieci w gospodarstwie domowym.

Dane techniczne

		BDCDD12
Napięcie	V_{DC}	10,8
Prędkość obrotowa biegu jałowego	obr/min	0-550
Maksymalny moment obrotowy	Nm	12,5/26
Wielkość uchwyty wiertarskiego	mm	1-10
Max. głębokość wiercenia:		
stal/drewno	Mm	10/25
Masa	kg	0,98

		90589867
Napięcie wejściowe	V_{AC}	230
Napięcie wyjściowe	V_{DC}	10,8
Natężenie prądu	mA	200
Przybliżony czas ładowania	godz.	8

		90590287-02
Napięcie wejściowe	V_{AC}	230
Napięcie wyjściowe	V_{DC}	10,8
Natężenie prądu	mA	400
Przybliżony czas ładowania	godz.	3-5

		90599854-06
Napięcie wejściowe	V_{AC}	230
Napięcie wyjściowe	V_{DC}	10,8
Natężenie prądu	mA	1
Przybliżony czas ładowania	godz.	1,5

		BL1512
Napięcie	V_{DC}	10,8
Pojemność	Ah	1,5
Rodzaj		Li-Ion

Poziom hałasu zmierzony według normy EN 60745:

Ciśnienia akustyczne (L_{PA}) 63 dB(A), niepewność pomiaru (K) 3 dB(A), Moc akustyczna (L_{WA}) 74 dB(A), niepewność pomiaru (K) 3 dB(A)

Całkowite drgania (suma wektorowa trzech składowych kierunkowych) według normy EN 60745:

Wiercenie w metalu ($a_{h,D}$) < 2,5 m/s², niepewność pomiaru (K) 1,5 m/s², Bezударowe wkręcanie wkrętów ($a_{h,v}$) < 2,5 m/s², niepewność pomiaru (K) 1,5 m/s²

Deklaracja zgodności z normami WE DYREKTYWA MASZYNOWA



Akumulatorowa wiertarko-wkrętarka BDCDD12

Black & Decker deklaruje niniejszym, że wyrób nr kat. BDCDD12 opisany w „Danych technicznych” został wykonany zgodnie z następującymi dyrektywami i normami: 2006/42/WE, EN 60745-1, EN 60745-2-1, EN 60745-2-2.

Wyrób ten jest zgodny także z dyrektywami 2004/108/WE (do 19.04.2016), 2014/30/UE (od 20.04.2016) i 2011/65/UE. By uzyskać więcej informacji na ten temat, zwróć się do jednego z naszych przedstawicielstw Black & Decker wyszczególnionych na końcu tej instrukcji obsługi.

Niżej podpisany jest odpowiedzialny za kompilację dokumentacji technicznej i składa tę deklarację w imieniu firmy Black & Decker.

R.Laverick
Engineering Manager
Black & Decker Europe
210 Bath Road, Slough
Berkshire, SL1 3YD
Wielka Brytania
14.07.2015

BLACK+DECKER**WARUNKI GWARANCJI:**

Produkty marki BLACK+DECKER reprezentują bardzo wysoką jakość, dlatego oferujemy dla nich korzystne warunki gwarancyjne. Niniejsze warunki gwarancji nie pomniejszają praw klienta wynikających z polskich regulacji ustawowych lecz są ich uzupełnieniem. Gwarancja jest ważna na terenie Rzeczypospolitej Polskiej.

BLACK+DECKER gwarantuje sprawne działanie produktu w przypadku postępowania zgodnego z warunkami techniczno-eksploatacyjnymi opisanymi w instrukcji obsługi.

Niniejszą gwarancją nie jest objęte dodatkowe wyposażenie, jeżeli nie została do niego dołączona oddzielna karta gwarancyjna oraz elementy wyrobu podlegające naturalnemu zużyciu.

1. Niniejszą gwarancją objęte są usterki produktu spowodowane wadami produkcyjnymi i wadami materiałowymi.
2. Niniejsza gwarancja jest ważna po przedstawieniu przez Klienta w Centralnym Serwisie Gwarancyjnym reklamowanego produktu oraz łącznie:
 - a) poprawnie wypełnionej karty gwarancyjnej;
 - b) ważnego paragonu zakupu z datą sprzedaży taką, jak w karcie gwarancyjnej lub kopii faktury.
3. Gwarancja obejmuje bezpłatną naprawę urządzenia (wraz z bezpłatną wymianą uszkodzonych części) w okresie 24 miesięcy od daty zakupu.
4. Produkt reklamowany musi być:
 - a) dostarczony bezpośrednio do Centralnego Serwisu Gwarancyjnego wraz z poprawnie wypełnioną Kartą Gwarancyjną i ważnym paragonem zakupu (lub kopią faktury) oraz szczegółowym opisem uszkodzenia, lub
 - b) przesłany do Centralnego Serwisu Gwarancyjnego za pośrednictwem punktu sprzedaży wraz z dokumentami wymienionymi powyżej.
5. Koszty wysyłki do Centralnego Serwisu Gwarancyjnego ponosi Serwis. Wszelkie koszty związane z zapewnieniem bezpiecznego opakowania, ubezpieczeniem i innym ryzykiem ponosi Klient. W przypadku odrzucenia roszczenia gwarancyjnego, produkt jest odsyłany do miejsca nadania na koszt adresata.
6. Usterki ujawnione w okresie gwarancji będą usunięte przez Centralny Serwis Gwarancyjny w terminie:
 - a) 14 dni roboczych od daty przyjęcia produktu przez Centralny Serwis Gwarancyjny;
 - b) termin usunięcia wady (punkt 6a) może być wydłużony o czas niezbędny do importu niezbędnych części zamiennych.
7. Klient otrzyma nowy sprzęt, jeżeli:
 - a) Centralny Serwis Gwarancyjny stwierdzi na piśmie, że usunięcie wady jest niemożliwe;
 - b) produkt nie podlega naprawie, tylko wymianie bez dokonywania naprawy.
8. O ile taki sam produkt jest nieosiągalny, może być wydany nowy produkt o nie gorszych parametrach.
9. Decyzja Centralnego Serwisu Gwarancyjnego odnośnie zasadności zgłaszanych usterek jest decyzją ostateczną.
10. Gwarancją nie są objęte:
 - a) wadliwe działanie lub uszkodzenia spowodowane niewłaściwym użytkowaniem lub użytkowaniem produktu niezgodnie z przeznaczeniem, instrukcją obsługi lub przepisami bezpieczeństwa. W szczególności profesjonalne użytkowanie amatorskich narzędzi BLACK+DECKER powoduje utratę gwarancji;
 - b) wadliwe działanie lub uszkodzenia spowodowane przeciążaniem narzędzia, które prowadzi do uszkodzeń siłnika, przekładni lub innych elementów a także stosowaniem osprzętu innego niż zalecany przez BLACK+DECKER;
 - c) mechaniczne uszkodzenia produktu i wywołane nimi wady;
 - d) wadliwe działanie lub uszkodzenia na skutek działania pożaru, powodzi, czy też innych klęsk żywiołowych, nieprzewidzianych wypadków, korozji, normalnego zużycia w eksploatacji czy też innych czynników zewnętrznych;
 - e) produkty, w których naruszone zostały pomyby gwarancyjne lub, które były naprawiane poza Centralnym Serwisem Gwarancyjnym lub były przerabiane w jakikolwiek sposób;
 - f) osprzęt eksploatacyjny dołączony do urządzenia oraz elementy ulegające naturalnemu zużyciu.
11. Centralny Serwis Gwarancyjny, firmy handlowe, które sprzedały produkt, nie udzielają upoważnień ani gwarancji innych niż określone w karcie gwarancyjnej. W szczególności nie obejmują prawa klienta do domagania się zwrotu utraconych zysków w związku z uszkodzeniem produktu.
12. Gwarancja nie wyłącza, nie ogranicza ani nie zawieszają uprawnień kupującego wynikających z niezgodności towaru z umową.

Centralny Serwis Gwarancyjny ERPATECH
ul. Bakaliowa 26, 05-080 Mościska
tel.: (22) 862-08-08, (22) 431-05-05
faks: (22) 862-08-09

Použitie výrobku

Vaša vŕtačka/skrutkovač BLACK+DECKER BDCDD12 je určená na skrútkovanie a vŕtanie do dreva, kovu a plastov. Toto náradie je určené iba na spotrebiteľské použitie.

Bezpečnostné pokyny

Všeobecné bezpečnostné pokyny na prácu s elektrickým náradím



Varovanie! Prečítajte si všetky bezpečnostné pokyny a bezpečnostné výstrahy. Nedodržanie nižšie uvedených varovaní a pokynov môže viesť k spôsobeniu úrazu elektrickým prúdom, k vzniku požiaru alebo k vážnemu zraneniu.

Všetky bezpečnostné varovania a pokyny uschovajte na budúce použitie. Termín „elektrické náradie“ vo všetkých upozorneniach odkazuje na Vaše náradie napájané zo siete (je zabezpečené prírodným káblom) alebo náradie napájané akumulátorom (bez prírodného kábla).

1. Bezpečnosť v pracovnom priestore

- Udržujte pracovný priestor čistý a dobre osvetlený.** Preplnený a neosvetlený pracovný priestor môže viesť k spôsobeniu úrazov.
- Nepracujte s elektrickým náradím vo výbušnom prostredí, ako sú napríklad priestory s výskytom horľavých kvapalín, plynov alebo prašných látok.** V elektrickom náradí dochádza k iskreniu, ktoré môže spôsobiť vznietenie horľavého prachu alebo výparov.
- Pri práci s elektrickým náradím zaistíte bezpečnú vzdialenosť detí a ostatných osôb.** Rozptyľovanie môže spôsobiť stratu kontroly nad náradím.

2. Elektrická bezpečnosť

- Zástrčka prírodného kábla náradia musí zodpovedať zásuvke. Zástrčka nikdy žiadnym spôsobom neupravujte. Nepoužívajte pri uzemnenom elektrickom náradí žiadne upravené zástrčky.** Neupravované zástrčky a zodpovedajúce zásuvky znižujú riziko vzniku úrazu elektrickým prúdom.
- Nedotýkajte sa uzemnených povrchov, ako sú napríklad potrubia, radiátory, elektrické sporáky a chladničky.** Pri uzemnení Vášho tela narastá riziko úrazu elektrickým prúdom.

- Nezavádzajte elektrické náradie dažďu alebo vlhkému prostrediu.** Ak vnikne do elektrického náradia voda, zvýši sa riziko úrazu elektrickým prúdom.
- S prírodným káblom zaobchádzajte opatrne. Nikdy nepoužívajte prírodný kábel na prenášanie alebo posúvanie náradia a neťahajte zaň, ak chcete náradie odpojiť od elektrickej siete. Zabráňte kontaktu kábla s masťami, horúcimi a ostrými predmetmi alebo pohyblivými časťami.** Poškodený alebo zapletený prírodný kábel zvyšuje riziko vzniku úrazu elektrickým prúdom.
- Pri práci s náradím vonku používajte predlžovacie káble určené na vonkajšie použitie.** Použitie kábla na vonkajšie použitie znižuje riziko úrazu elektrickým prúdom.
- Ak musíte s elektrickým náradím pracovať vo vlhkom prostredí, použite napájací zdroj s prúdovým chráničom (RCD).** Použitie prúdového chrániča (RCD) znižuje riziko úrazu elektrickým prúdom.

3. Bezpečnosť osôb

- Pri použití elektrického náradia zostaňte stále pozorní, sledujte, čo robíte a pracujte s rozvahou. Nepracujte s elektrickým náradím, ak ste unavení alebo ak ste pod vplyvom drog, alkoholu alebo liekov.** Chvilka nepozornosti pri práci s elektrickým náradím môže viesť k vážnemu úrazu.
- Používajte prvky osobnej ochrany. Vždy používajte ochranu zraku.** Ochranné prostriedky ako respirátor, protišmyková pracovná obuv, prilba a chrániče sluchu, používané v príslušných podmienkach, znižujú riziko poranenia osôb.
- Zabráňte náhodnému zapnutiu náradia. Pred pripojením zdroja napätia alebo pred vložením akumulátora a pred zdvihnutím alebo prenášaním náradia skontrolujte, či je vypínač v polohe „vypnuté“.** Prenášanie elektrického náradia s prstom na vypínači alebo pripojenie náradia k napájaciemu zdroju, ak je vypínač náradia v polohe zapnuté, môže spôsobiť úraz.
- Pred spustením z náradia vždy odstráňte všetky kľúče alebo nastavovacie prípravky.** Nastavovacie kľúče ponechané na náradí môžu byť zachytené rotujúcimi časťami náradia a môžu spôsobiť úraz.
- Neprekážajte sami sebe. Pri práci vždy udržiavajte vhodný postoj a rovnováhu.** Tak

je umožnená lepšia ovládateľnosť náradia v neočakávaných situáciách.

- f. Vhodne sa obliekajte. Nenoste voľný odev alebo šperky. Dbajte na to, aby sa Vaše vlasy, odev a rukavice nedostali do kontaktu s pohyblivými časťami.** Voľný odev, šperky alebo dlhé vlasy môžu byť pohyblivými dielmi zachytené.
- g. Ak sú zariadenia vybavené adaptérom na pripojenie príslušenstva na zachytávanie prachu, zaistíte jeho správne pripojenie a riadnu funkciu.** Použitie týchto zariadení môže znížiť nebezpečenstvo týkajúce sa prachu.
- 4. Použitie elektrického náradia a jeho údržba**
- a. Nepreťažujte elektrické náradie. Používajte na vykonávanú prácu správny typ náradia.** Pri použití správneho typu náradia bude práca vykonávaná lepšie a bezpečnejšie.
- b. Ak nie je možné vypínač náradia zapnúť a vypnúť, s náradím nepracujte.** Každé elektrické náradie s nefunkčným vypínačom je nebezpečné a musí sa opraviť.
- c. Pred nastavovaním náradia, pred výmenou príslušenstva alebo ak náradie nepoužívate, odpojte zástrčku prírodného kábla od zásuvky alebo z náradia vyberte akumulátor.** Tieto preventívne bezpečnostné opatrenia znižujú riziko náhodného zapnutia náradia.
- d. Uložte elektrické náradie mimo dosahu detí a nedovoľte ostatným osobám, ktoré toto náradie nevedia ovládať, alebo ktoré nepoznajú tieto bezpečnostné pokyny, aby s týmito elektrickým náradím pracovali.** Elektrické náradie je v rukách nekvalifikovanej obsluhy nebezpečné.
- e. Vykonávajte údržbu elektrického náradia. Skontrolujte vychýlenie alebo zablokovanie pohyblivých častí, poškodenie jednotlivých dielcov a iné okolnosti, ktoré môžu ovplyvniť chod náradia. Ak je náradie poškodené, nechajte ho opraviť.** Mnoho nehôd býva spôsobených zanedbanou údržbou náradia.
- f. Rezné nástroje udržiavajte ostré a čisté.** Riadne udržiavané rezné nástroje s ostrými reznými ostriami sú menej náchylné na zanášanie nečistotami a lepšie sa s nimi pracuje.
- g. Používajte toto elektrické náradie, príslušenstvo a pracovné nástroje**

podľa týchto pokynov a berte do úvahy prevádzkové podmienky a prácu, ktorá sa bude vykonávať. Použitie elektrického náradia na iné účely, než na aké je určené, môže byť nebezpečné.

- 5. Použitie náradia napájaného akumulátorom a jeho údržba**
- a. Nabíjajte iba v nabíjačke určenej výrobcom.** Nabíjačka vhodná pre jeden typ akumulátora môže pri vložení iného nevhodného typu spôsobiť požiar.
- b. Používajte elektrické náradie výhradne s akumulátormi, ktoré sú určené pre daný typ náradia.** Použitie iných typov akumulátorov môže spôsobiť vznik požiaru alebo zranenie.
- c. Ak sa akumulátor nepoužíva, uložte ho mimo dosahu kovových predmetov, ako sú kancelárske sponky na papier, mince, kľúče, kince, skrutky alebo ďalšie drobné kovové predmety, ktoré môžu spôsobiť skratovanie kontaktov akumulátora.** Skratovanie kontaktov akumulátora môže viesť k vzniku popálenín alebo požiaru.
- d. V nevhodných podmienkach môže z akumulátora unikáť kvapalina. Vyvarujte sa kontaktu s touto kvapalinou. Ak dôjde k náhodnému kontaktu s touto kvapalinou, zasiahnuté miesto omyte vodou. Pri zasiahnutí očí zasiahnuté miesto umyte a vyhľadajte lekársku pomoc.** Unikajúca kvapalina z akumulátora môže spôsobiť podráždenie pokožky alebo popáleniny.
- 6. Servis**
- a. Opravy elektrického náradia zverte iba kvalifikovanému technikovi, ktorý bude používať originálne náhradné dielce.** Tým zaistíte bezpečnú prevádzku náradia.

Doplňkové bezpečnostné pokyny na prácu s elektrickým náradím



Varovanie! Ďalšie bezpečnostné pokyny pre vŕtačky

- ♦ **Používajte prídavné rukoväti dodávané s náradím.** Strata kontroly nad náradím môže viesť k úrazu.
- ♦ **Pri pracovných operáciách, pri ktorých by mohlo dôjsť ku kontaktu pracovného nástroja so skrytými elektrickými vodičmi, držte elektrické náradie vždy za**

izolované rukoväti. Pri kontakte pracovného príslušenstva so „živým“ vodičom spôsobia neizolované kovové časti náradia obsluhu úraz elektrickým prúdom.

- ◆ **Pri pracovných operáciách, pri ktorých by mohlo dôjsť ku kontaktu montážneho prvku so skrytými elektrickými vodičmi, držte elektrické náradie vždy za izolované rukoväti.** Montážne prvky, ktoré sa dostanú do kontaktu so „živým“ vodičom, spôsobia, že neizolované kovové časti elektrického náradia budú tiež „živé“, čo môže obsluhu spôsobiť úraz elektrickým prúdom.
- ◆ **Na zaistenie a upnutie obrobku k pracovnému stolu používajte svorky alebo iné vhodné prostriedky.** Držanie obrobku rukou alebo opretie obrobku o časť tela nezaistí jeho stabilitu a môže viesť k strate kontroly.
- ◆ Pred vŕtaním do stien, podláh alebo stropov zistite polohu elektrických vedení a potrubia.
- ◆ Ihneď po ukončení vŕtania sa nedotýkajte vŕtáka, pretože môže byť horúci.
- ◆ Určené použitie tohto výrobku je popísané v tomto návode. Použitie iného príslušenstva alebo prídavného zariadenia a vykonávanie iných pracovných operácií než je odporúčané týmto návodom, môže predstavovať riziko zranenia obsluhu alebo riziko spôsobenia hmotných škôd.

Bezpečnosť ostatných osôb

- ◆ Toto náradie nie je určené na použitie osobami (vrátane detí) so zníženými fyzickými, zmyslovými alebo duševnými schopnosťami, alebo s nedostatkom skúseností a znalostí, ak týmto osobám nebol stanovený dohľad, alebo ak im neboli poskytnuté inštrukcie týkajúce sa použitia výrobku osobou zodpovednou za ich bezpečnosť.
- ◆ Deti musia byť pod dozorom, aby bolo zaistené, že sa s týmto náradím nebudú hrať.

Zvyškové riziká

Ak sa toto náradie používa iným spôsobom, než je uvedené v priložených bezpečnostných varovaniach, môžu sa objaviť dodatočné zvyškové riziká. Tieto riziká môžu vzniknúť v dôsledku nesprávneho použitia, dlhodobého použitia atď.

Napriek tomu, že sa dodržiavajú príslušné bezpečnostné predpisy a používajú sa bezpečnostné zariadenia, určité zvyškové riziká sa nemôžu vylúčiť. Tieto riziká sú nasledujúce:

- ◆ Zranenia spôsobené kontaktom s akoukoľvek rotujúcou alebo pohybujúcou sa časťou.
- ◆ Zranenia spôsobené pri výmene dielcov, pracovného nástroja alebo príslušenstva.
- ◆ Zranenia spôsobené dlhodobým použitím náradia. Ak používate akékoľvek náradie dlhší čas, zaistite, aby sa robili pravidelné prestávky.
- ◆ Poškodenie sluchu.
- ◆ Zdravotné riziká spôsobené vdychovaním prachu vytváraného pri použití náradia (príklad: - práca s drevom, najmä s dubovým, bukovým a MDF).

Vibrácie

Deklarovaná úroveň vibrácií uvedená v technických údajoch a vo vyhlásení o zhode bola meraná v súlade so štandardnou skúšobnou metódou predpísanou normou EN 60745 a môže sa použiť na porovnanie jednotlivých náradí medzi sebou. Deklarovaná úroveň vibrácií sa môže tiež použiť na predbežné stanovenie času práce s týmto náradím.

Varovanie! Úroveň vibrácií pri aktuálnom použití elektrického náradia sa môže od deklarovanej úrovne vibrácií líšiť v závislosti od spôsobu použitia náradia. Úroveň vibrácií môže byť vzhľadom na uvedenú hodnotu vyššia.

Pri stanovení času pôsobenia vibrácií, z dôvodu určenia bezpečnostných opatrení podľa normy 2002/44/ES na ochranu osôb pravidelne používajúcich elektrické náradie v zamestnaní, by mal predbežný odhad pôsobenia vibrácií brať na zreteľ aktuálne podmienky použitia náradia s prihliadnutím na všetky časti pracovného cyklu, ako sú časy, keď je náradie vypnuté a keď beží naprázdno.

Štítky na náradí

Na náradí sú spoločne s dátumovým kódom zobrazené nasledujúce piktogramy:




Varovanie! Z dôvodu zníženia rizika spôsobenia úrazu si používateľ musí prečítať návod na použitie.

Ďalšie bezpečnostné pokyny pre akumulátory a nabíjačky (nie sú dodávané s náradím)

Akumulátor

- ◆ Akumulátor nikdy zo žiadneho dôvodu nerozoberajte.
- ◆ Zabráňte kontaktu akumulátora s vodou.

- ◆ Neskladujte akumulátory na miestach, kde môže teplota presiahnuť 40 °C.
- ◆ Akumulátory nabíjajte iba pri teplotách v rozsahu od 10 °C do 40 °C.
- ◆ Nabíjajte iba nabíjačkou dodanou s náradím.
- ◆ Pri likvidácii akumulátorov sa riadte pokynmi uvedenými v časti „Ochrana životného prostredia“.

 Nepokúšajte sa nabíjať poškodené akumulátory.

Nabíjačky

- ◆ Používajte nabíjačku BLACK+DECKER iba na nabíjanie akumulátora, ktorý bol dodaný s týmto náradím. Iné akumulátory môžu prasknúť, spôsobiť zranenie alebo iné škody.
- ◆ Nikdy sa nepokúšajte nabíjať akumulátory, ktoré nie sú na nabíjanie určené.
- ◆ Poškodené káble ihneď vymeňte.
- ◆ Zabráňte kontaktu nabíjačky s vodou.
- ◆ Nesnažte sa nabíjačku rozoberať.
- ◆ Nepokúšajte sa do nabíjačky preniknúť.



Táto nabíjačka nie je určená na vonkajšie použitie.



Pred použitím si pozorne prečítajte tento návod.

Elektrická bezpečnosť



Táto nabíjačka je vybavená dvojistou izoláciou. Preto nie je nutné použitie uzemňovacieho vodiča. Vždy skontrolujte, či napätie v elektrickej sieti zodpovedá napätiu, ktoré je uvedené na výkonovom štítku. Nikdy sa nepokúšajte nahradiť nabíjačku priamym pripojením k zásuvke elektrického prúdu.

- ◆ Ak je poškodený prírodný kábel, musí byť vymenený výrobcom alebo v autorizovanom servise BLACK+DECKER, aby sa zabránilo možným rizikám.

Popis

Tento výrobok sa skladá z niektorých alebo zo všetkých nasledujúcich častí.

1. Spínač s plynulou reguláciou otáčok
2. Prepínač praveho/ľavého chodu
3. Objímka na nastavenie krútiaceho momentu
4. Rýchloupevňovacie skľučovadlo
5. Akumulátor
6. Uvoľňovacie tlačidlo akumulátora
7. Nabíjačka

Zostavenie

Použitie

Varovanie! Nechajte náradie pracovať jeho vlastným tempom. Zamedzte preťažovaniu.

Nabíjanie akumulátora (obr. A)

Akumulátor musí byť nabitý pred prvým použitím a vždy, keď dôjde k výraznému poklesu jeho výkonu. Akumulátor sa môže počas nabíjania zahrievať. Ide o normálny stav, ktorý neznamená žiadny problém.

Varovanie! Ne nabíjajte akumulátor, ak okolitá teplota klesne pod 10 °C alebo ak presiahne 40 °C. Odporúčaná teplota prostredia na nabíjanie: približne 24 °C.

Poznámka: Nabíjačka nebude nabíjať akumulátory, ak klesne teplota článkov pod približne 10 °C alebo ak prekročí 40 °C. Akumulátory môžu byť ponechané v nabíjačke a nabíjanie sa automaticky spustí, hneď ako teplota článkov dosiahne povolený rozsah.

- ◆ Pripojte nabíjačku (8) k akejkoľvek štandardnej elektrickej zásuvke s napájacím napätím 230 V a frekvenciou 50 Hz.
- ◆ Zasuňte akumulátor do nabíjačky, ako je zobrazené na obr. A.
- ◆ Zelený LED indikátor (9) bude blikať, čo bude indikovať prebiehajúce nabíjanie.
- ◆ Ukončenie nabíjania je indikované neprerušovaným svietením zeleného LED indikátora. Akumulátor je úplne nabitý a môže sa vybrať z nabíjačky alebo môže sa ponechať v nabíjačke.

Varovanie! Nepoužívajte toto náradie, ak je pripojené k nabíjačke.

Varovanie! Nebezpečenstvo vzniku požiaru. Pri odpájaní nabíjačky od náradia vždy zaistite, aby bola najskôr odpojená nabíjačka od sieťovej zásuvky a potom odpojte kábel nabíjačky od náradia.

Vloženie a vybratie akumulátora z náradia (obr. B)

Varovanie! Uistite sa, či je náradie zaistené zaistovacím tlačidlom, aby ste pred vloženíím alebo vybratím akumulátora zabránili aktivácii vypínača.

Vloženie akumulátora:

- ◆ Vložte akumulátor do náradia tak, aby ste začuli kliknutie (obr. B).

Vybratie akumulátora z náradia (obr. C)

- ♦ Stlačte tlačidlo na uvoľnenie akumulátora zobrazené na obr. C a vysuňte akumulátor z náradia.

Pokyny na použitie**Hlavný vypínač a tlačidlo na zmenu chodu (obr. D)**

- ♦ Táto vrtáčka sa zapína a vypína stlačením a uvoľnením hlavného vypínača (1). Čím viac je vypínač stlačený, tým vyššie sú otáčky pracovného nástroja.
- ♦ Ovládacie tlačidlo pre pravý/ľavý chod (2) určuje smer otáčania pracovného nástroja a slúži tiež ako zaistovacie tlačidlo.
- ♦ Ak chcete zvoliť pravý chod, uvoľníte hlavný vypínač a stlačíte ovládacie tlačidlo pre pravý/ľavý chod doľava.
- ♦ Ak chcete zvoliť ľavý chod, zatlačíte ovládacie tlačidlo pre pravý/ľavý chod na druhú stranu.
- ♦ Ak chcete náradie zablokovať, nastavte prepínač pravého/ľavého chodu do stredovej polohy.

Poznámka! Stredová poloha tohto ovládacieho tlačidla zaisťuje náradie vo vypnutej polohe. Ak meníte polohu tohto prepínača, uistite sa, či je uvoľnený vypínač.

Nastavenie momentu (obr. E)

Toto náradie je vybavené objímkou (3) na nastavenie pracovného režimu a na nastavenie momentu pri ťahovaní skrutiek. Skrutky s veľkým rozmerom a obrobky z tvrdých materiálov vyžadujú nastavenie vyššej hodnoty momentu než malé skrutky a mäkké materiály.

- ♦ Ak chcete vŕtať, nastavte objímkou na symbol 1.
- ♦ Ak chcete skrutkovať, nastavte objímkou na požadované nastavenie. Ak nepoznáte ešte vhodné nastavenie, postupujte nasledovne:
 - ♦ Nastavte objímkou na najmenšiu hodnotu momentu.
 - ♦ Dotiahnite prvú skrutku.
 - ♦ Ak začne spojka pred dosiahnutím požadovaného výsledku preskakovať, zväčšite hodnotu momentu nastavením objímky do ďalšej polohy a pokračujte v ťahovaní skrutky. Opakujte tento postup, kým nedosiahnete požadované nastavenie. Použite toto nastavenie aj na dotiahnutie zostávajúcich skrutiek.

Rýchlopevňovacie skľučovadlo (obr. F)

Varovanie! Uistite sa, či je náradie zaistené zaistovacím tlačidlom, aby ste pred vložení

alebo vybratím pracovného nástroja zabránili aktivácii vypínača.

Vloženie vrtáka alebo iného pracovného nástroja:

- ♦ Jednou rukou uchopíte zadnú polovicu skľučovadla (10) a druhou rukou otočíte prednú polovicu skľučovadla (11) proti smeru pohybu hodinových ručičiek, pri pohľade od zadnej časti skľučovadla.
- ♦ Zasuňte pracovný nástroj úplne do skľučovadla a uchopením zadnej polovice skľučovadla s otáčaním jeho prednej polovice v smere pohybu hodinových ručičiek skľučovadlo riadne dotiahnite.

Varovanie! Nepokúšajte sa utiahnuť vrtáky (alebo iné pracovné nástroje) uchopením prednej časti skľučovadla a zapnutím náradia. Výmena príslušenstva, ktorá sa robí takýmto spôsobom môže viesť k poškodeniu skľučovadla a k úrazu.

Vŕtanie/skrutkovanie

- ♦ Pomocou prepínača pravého/ľavého chodu (2) zvolíte smer otáčania vpred alebo vzad.
- ♦ Ak chcete náradie zapnúť, stlačte vypínač (1). Otáčky náradia závisia od intenzity stlačenia tohto vypínača.
- ♦ Ak chcete náradie vypnúť, vypínač uvoľníte.

Rady na optimálne použitie**Vŕtanie**

- ♦ Vždy vyvíjajte mierny tlak v osi vrtáka.
- ♦ Tesne pred preniknutím špičky vrtáka druhou stranou obrobku zmenšíte tlak vyvíjaný na náradie.
- ♦ Podložte obrobok kúskom dreva, aby pri prieniku vrtáka nedochádzalo k tvorbe triesok na povrchu obrobku.
- ♦ Pri vŕtaní otvorov do dreva, ktoré majú väčší priemer, používajte ploché vrtáky do dreva.
- ♦ Pri vŕtaní do kovu používajte vrtáky z rýchlereznej ocele (HSS).
- ♦ Pri vŕtaní do mäkkého muriva použite vrtáky do muriva.
- ♦ Ak nevŕtate do liatiny alebo do mosadze, používajte pri vŕtaní kovov mazivo.
- ♦ Na zvýšenie presnosti vŕtania si vždy uprostred diery, ktorú chcete vŕtať, vytvorte pomocou priebojníka vodiacu značku na povrchu obrobku.

Skrutkovanie

- ♦ Vždy používajte správny typ a veľkosť skrutkovacieho nástavca.

- ♦ Ak sa skrutky nedajú správne pritiahnuť, použite ako mazivo malé množstvo saponátu alebo mydlového roztoku.
- ♦ Náradie so skrutkovacím nastavcom držte vždy v jednej osi so skrutkou.

Odstraňovanie porúch

Problém	Možná príčina	Možné riešenie
Náradie nie je možné spustiť.	Akumulátor nie je nabitý.	Skontrolujte, či nie je nutné nabitie akumulátora.
Akumulátor sa nenabíja.	Prívodný kábel nabíjačky nie je pripojený k sieťovej zásuvke.	Pripojte prívodný kábel nabíjačky k sieťovej zásuvke.
	Príliš vysoká alebo príliš nízka teplota okolitého prostredia.	Premiestnite nabíjačku a prívodný do prostredia, v ktorom je teplota vyššia než 4,5 °C alebo nižšia než 40,5 °C.
Náradie sa náhle vypne.	Akumulátor dosiahol svoj maximálny teplotný limit.	Nechajte akumulátor vychladnúť.
	Akumulátor je vybitý. (Tento akumulátor je vyrobený tak, aby došlo k jeho okamžitému vypnutiu, ak dôjde k jeho vybitiu, aby bola maximalizovaná jeho prevádzková životnosť.)	Vložte ho do nabíjačky a nechajte ho úplne nabiť.

Údržba

Vaše náradie BLACK+DECKER bolo skonštruované tak, aby pracovalo dlhý čas s minimálnymi nárokmi na údržbu. Riadna starostlivosť o náradie a jeho pravidelné čistenie Vám zaisťujú jeho bezproblémový chod.

Vaša nabíjačka nevyžaduje žiadnu údržbu okrem pravidelného čistenia.

Varovanie! Pred akoukoľvek údržbou vyberte z náradia akumulátor. Pred čistením odpojte nabíjačku od siete.

- ♦ Vetracie otvory náradia a nabíjačky pravidelne čistite mäkkou kefou alebo suchou handričkou.
- ♦ Pomocou vlhkej handričky pravidelne čistite kryt motora. Nepoužívajte žiadne abrazívne čistiace prostriedky alebo rozpúšťadlá.
- ♦ Pravidelne otvárajte skľučovadlo a poklepaním odstráňte prach z jeho vnútornej časti.

Ochrana životného prostredia



Triedte odpad. Tento výrobok sa nesmie likvidovať v bežnom domovom odpade.

Ak nebudete výrobok BLACK+DECKER ďalej používať alebo ak si ho prajete nahradiť novým, nelikvidujte ho spolu s bežným komunálnym odpadom. Zaisťujte likvidáciu tohto výrobku v triedenom odpade.



Triedený odpad umožňuje recykláciu a opätovné využitie použitých výrobkov a obalových materiálov. Opätovné použitie recyklovaných materiálov pomáha chrániť životné prostredie pred znečistením a znižuje spotrebu surovín.

Pri kúpe nových výrobkov Vám predajne, miestne zberne odpadov alebo recyklačné stanice poskytnú informácie o správnej likvidácii elektroodpadov z domácnosti.

Spoločnosť BLACK+DECKER poskytuje službu zberu a recyklácie výrobkov BLACK+DECKER po skončení ich prevádzkovej životnosti. Ak chcete využiť výhody tejto služby, odovzdajte, prosím, Váš výrobok ktorémukoľvek zástupcovi autorizovaného servisu, ktorý zariadenie odoberie a zaisťuje jeho recykláciu.

Miesto najbližšieho autorizovaného servisu BLACK+DECKER nájdete na príslušnej adrese uvedenej v tomto návode. Zoznam autorizovaných servisov BLACK+DECKER a podrobnosti o popredajnom servise nájdete aj na internetovej adrese: www.2helpU.com.

Akumulátor



Vnútri sa nenachádzajú žiadne časti určené na opravy.

- ♦ Po ukončení prevádzkovej životnosti Vášho výrobku odovzdajte celú jednotku zástupcovi servisu alebo v miestnom zbernom dvore, kde zaisťujú recykláciu akumulátora. Nevyhadzujte toto náradie do bežného domáceho odpadu.

Technické údaje

		BDCDD12
Napájacie napätie	V	10,8
Otáčky naprázdno	min ⁻¹	0 – 550
Maximálny moment	Nm	12,5/26
Kapacita skľučovadla	mm	1 – 10
Maximálny priemer vrtáka pri vrtaní do ocele/dreva	mm	10/25
Hmotnosť	kg	0,98

		90589867
Vstupné napätie	V	230
Výstupné napätie	V	10,8
Prúd	mA	200
Približný čas nabíjania	hod.	8

		90590287-02
Vstupné napätie	V	230
Výstupné napätie	V	10,8
Prúd	mA	400
Približný čas nabíjania	hod.	3 – 5

		90599854-06
Vstupné napätie	V	230
Výstupné napätie	V	10,8
Prúd	A	1
Približný čas nabíjania	hod.	1,5

		BL1512
Napájacie napätie	V	10,8
Kapacita	Ah	1,5
Typ		Li-Ion

Hladina akustického tlaku podľa normy EN 60745:

Akustický tlak (L_{pA}) 63 dB(A), odchýlka (K) 3 dB(A),
Akustický výkon (L_{WA}) 74 dB(A), odchýlka (K) 3 dB(A)

Celková úroveň vibrácií (priestorový vektorový súčet) podľa normy EN 60745:

Vrtanie do kovu ($a_{h,D}$) < 2,5 m/s², odchýlka (K) 1,5 m/s², Skrutkovanie bez rázov (a_h) < 2,5 m/s², odchýlka (K) 1,5 m/s²

ES Vyhlásenie o zhode v rámci EÚ

SMERNICA PRE STROJOVÉ ZARIADENIA

**BDCDD12 – vrtáčka, skrutkovač**

Spoločnosť Black & Decker vyhlasuje, že tieto produkty popisované v technických údajoch spĺňajú požiadavky nasledujúcich noriem: 2006/42/ES, EN 60745-1, EN 60745-2-1, EN 60745-2-2.

Tieto výrobky spĺňajú aj požiadavky smerníc 2004/108/EC (do 19. 4. 2016), 2014/30/EÚ (od 20. 4. 2016) a 2011/65/EÚ. Ak chcete získať ďalšie informácie, kontaktujte, prosím, spoločnosť Black & Decker na tejto adrese alebo na adresách, ktoré sú uvedené na konci tohto návodu.

Nižšie podpísaná osoba je zodpovedná za zostavenie technických údajov a vydáva toto vyhlásenie v zastúpení spoločnosti Black & Decker.

R. Laverick
Technický riaditeľ
Black & Decker Europe
210 Bath Road, Slough
Berkshire, SL1 3YD
United Kingdom
14. 7. 2015

Záruka

Spoločnosť Black & Decker je presvedčená o kvalite svojich výrobkov a ponúka mimoriadnu záruku. Táto záruka sa ponúka v prospech zákazníka a nijako neovplyvňuje jeho zákonné záručné práva. Táto záruka je platná vo všetkých členských štátoch EÚ a európskej zóny voľného obchodu EFTA.

Ak sa v priebehu 24 mesiacov od kúpy objavia na výrobku Black & Decker akékoľvek materiálové či výrobné chyby, spoločnosť Black & Decker garantuje v snahe o minimalizovanie Vašich starostí a za nižšie uvedených podmienok bezplatnú výmenu chybných dielov, opravu alebo výmenu celého výrobku:

- ◆ Tento výrobok sa nepoužíval na obchodné alebo profesionálne účely a nedochádzalo k jeho prenájmu.
- ◆ Tento výrobok nebol vystavený nesprávnemu použitiu a nebola zanedbaná jeho predpísaná údržba.

- ♦ Tento výrobok nebol poškodený cudzím zavinením, inými predmetmi alebo nehodou.
- ♦ Opravy neboli vykonávané inými osobami než autorizovanými opravármi alebo mechanikmi autorizovaného servisu Black & Decker.

Ak požadujete záručnú opravu, budete musieť predajcovi alebo zástupcovi autorizovaného servisu predložiť doklad o kúpe výrobku.

Miesto najbližšieho autorizovaného servisu Black & Decker nájdete na príslušnej adrese uvedenej v tomto návode. Zoznam autorizovaných servisov Black & Decker a podrobnosti o popredajnom servise nájdete aj na internetovej adrese: **www.2helpU.com**.

Navštívte, prosím, naše stránky

www.blackanddecker.co.uk a zaregistrujte tu Váš nový výrobok BLACK+DECKER, aby ste mohli byť informovaní o nových výrobkoch a špeciálnych ponukách. Ďalšie informácie o značke BLACK+DECKER a o celom rade našich ďalších výrobkov nájdete na adrese **www.blackanddecker.co.uk**.

Назначение

Дрель BLACK+DECKER BDCDD12 предназначена для закручивания/выкручивания винтов, а также для высверливания отверстий в дереве, металле и пластике. Данный инструмент не является профессиональным и предназначен для домашнего использования потребителем.

Правила техники безопасности

Общие правила безопасности при работе с электроинструментом



Внимание! Ознакомьтесь со всеми мерами предосторожности и инструкциями по технике безопасности. Несоблюдение представленных ниже предупреждений и инструкций может привести к поражению электрическим током, возгоранию и/или тяжелым травмам.

Сохраните все инструкции для последующего обращения к ним. Термин "электроинструмент" во всех приведенных ниже предупреждениях относится к питаемому от электросети (проводному) или от аккумуляторов (беспроводному) электроинструменту.

1. Безопасность на рабочем месте

- a. **Содержите рабочее место в чистоте и обеспечьте его хорошую освещенность.** Захламленное или плохое освещенное рабочее место может стать причиной несчастного случая.
- b. **Не используйте электроинструмент во взрывоопасной атмосфере, например, при наличии горючих жидкостей, газов или пыли.** Искры, которые появляются при работе электроинструментов могут привести к воспламенению пыли или паров.
- c. **Не разрешайте детям и посторонним лицам находиться рядом с вами при работе с электроинструментом.** Отвлекаясь от работы вы можете потерять контроль над инструментом.

2. Электрическая безопасность

- a. **Сетевые вилки должны соответствовать розеткам. Никогда не меняйте вилку инструмента. Не используйте переходники к вилкам для**

электроинструментов с заземлением.

Использование оригинальных штепсельных вилок, соответствующих типу сетевой розетки снижает риск поражения электрическим током.

- b. **Следует избегать контакта с заземленными поверхностями - такими, как трубы, радиаторы, батареи и холодильники.** Если вы будете заземлены, увеличивается риск поражения электрическим током.
 - c. **Не допускайте нахождения электроинструментов под дождем или в условиях повышенной влажности.** Попадание воды в электроинструмент может привести к поражению электрическим током.
 - d. **Бережно обращайтесь со шнуром питания. Никогда не используйте кабель для переноски инструмента, не тяните за него, пытайтесь отключить инструмент от сети. Держите кабель подальше от источников тепла, масла, острых углов или движущихся предметов.** Поврежденный или запутанный шнур питания повышает риск поражения электротоком.
 - e. **При работе с электроинструментом вне помещения необходимо пользоваться удлинительным кабелем, рассчитанным на эксплуатацию вне помещения.** Использование кабеля, предназначенного для применения на открытом воздухе, снижает риск поражения электрическим током.
 - f. **При необходимости эксплуатации электроинструмента в местах с повышенной влажностью используйте устройство защиты от токов замыкания на землю (УЗО).** Использование УЗО сокращает риск поражения электрическим током.
- #### 3. Обеспечение индивидуальной безопасности
- a. **При работе с электроинструментом сохраняйте бдительность, следите за своими действиями и пользуйтесь здравым смыслом. Не работайте с электроинструментом если вы устали, находитесь в состоянии наркотического, алкогольного опьянения или под воздействием**

- лекарственных препаратов. Минутная невнимательность при работе с электроинструментом может привести к серьезным травмам.
- b. Используйте средства индивидуальной защиты. Всегда используйте защитные очки.** Средства защиты, такие как противопылевая маска, обувь с не скользящей подошвой, каска и защитные наушники, используемые при работе, уменьшают риск получения травм.
- c. Примите меры для предотвращения случайного включения. Перед тем, как подключить электроинструмент к сети и/или аккумулятора, взять инструмент или перенести его на другое место, убедитесь в том, что выключатель находится в положении Выкл.** Если при переноске электроинструмента ваш палец находится на выключателе или если электроинструмент подключен к сети, могут произойти несчастные случаи.
- d. Уберите все регулировочные или гаечные ключи перед включением электроинструмента.** Ключ, оставленный на вращающейся части электроинструмента, может привести к травме.
- e. Не пытайтесь дотянуться до слишком удаленных поверхностей. Обувь должна быть удобной, чтобы вы всегда могли сохранять равновесие.** Это позволит лучше контролировать электроинструмент в непредвиденных ситуациях.
- f. Надевайте подходящую одежду. Избегайте носить свободную одежду и ювелирные украшения. Следите за тем, чтобы волосы, одежда и перчатки не попадали под движущиеся детали.** Возможно наматывание свободной одежды, ювелирных изделий и длинных волос на движущиеся детали.
- g. При наличии устройств для подключения оборудования для удаления и сбора пыли необходимо обеспечить правильность их подключения и эксплуатации.** Использование устройства для пылеудаления сокращает риски, связанные с пылью.
- 4. Эксплуатация электроинструмента и уход за ним**
- a. Избегайте чрезмерной нагрузки электроинструмента. Используйте электроинструмент в соответствии с назначением.** Правильно подобранный электроинструмент выполнит работу более эффективно и безопасно при стандартной нагрузке.
- b. Не используйте электроинструмент, если не работает его выключатель.** Любой инструмент, управляемый выключением и включением которого невозможно, опасен, и его необходимо отремонтировать.
- c. Перед выполнением любой регулировки, заменой дополнительных приспособлений или хранением электроинструмента отключите устройство от сети или извлеките батарею из устройства.** Такие превентивные меры безопасности сокращают риск случайного включения электроинструмента.
- d. Храните электроинструмент в недоступном для детей месте и не позволяйте работать с инструментом людям, не имеющим соответствующих навыков работы с такого рода инструментами.** Электроинструмент представляет опасность в руках неопытных пользователей.
- e. Обслуживание электроинструментов. Проверьте движущиеся детали на несоосность или заклинивание, поломку либо какие-либо другие условия, которые могут повлиять на эксплуатацию электроинструмента. В случае обнаружения повреждений, прежде чем приступить к эксплуатации инструмента, его нужно отремонтировать.** Большинство несчастных случаев происходит с инструментами, которые не обслуживаются должным образом.
- f. Необходимо содержать режущий инструмент в остро заточенном и чистом состоянии.** Вероятность заклинивания инструмента, за которым следят должным образом и который хорошо заточен, значительно меньше, а работать с ним легче.

- г. Используйте данный электроинструмент, а также дополнительные приспособления и насадки в соответствии с данными инструкциями и с учетом условий и специфики работы.** Использование электроинструмента для работ, для которых он не предназначен, может привести к несчастным случаям.
- 5. Использование аккумуляторных электроинструментов и уход за ними**
- а. Используйте для зарядки аккумуляторной батареи только указанное производителем зарядное устройство.** Использование зарядного устройства определенного типа для зарядки других батарей может привести к возгоранию.
- б. Используйте для электроинструмента только батареи указанного типа.** Использование других аккумуляторных батарей может стать причиной травмы и пожара.
- в. Избегайте попадания внутрь батареи скрепок, монет, ключей, гвоздей, болтов или других мелких металлических предметов, которые могут вызывать замыкание ее контактов.** Короткое замыкание контактов аккумулятора может привести к пожару или получению ожогов.
- д. При повреждении батареи, из нее может вытечь электролит. При случайном контакте с электролитом смойте его водой. При попадании электролита в глаза обратитесь за медицинской помощью.** Жидкость, находящаяся внутри батареи, может вызвать раздражение или ожоги.
- 6. Техническое обслуживание**
- а. Обслуживание электроинструмента должно выполняться только квалифицированным техническим персоналом.** Это позволит обеспечить безопасность обслуживаемого инструмента.

- ◆ **Пользуйтесь дополнительными рукоятками, входящими в комплект поставки инструмента.** Потеря контроля может привести к травме.
- ◆ **Удерживайте инструмент за изолированные поверхности захватывания при выполнении работ, во время которых имеется вероятность контакта инструмента со скрытой электропроводкой.** Если вы держитесь за металлические детали инструмента в случае перерезания находящегося под напряжением провода возможно поражение оператора электрическим током.
- ◆ **Удерживайте инструмент за изолированные поверхности рукояток при выполнении работ, во время которых имеется вероятность контакта инструмента со скрытой электропроводкой.** Если вы держитесь за металлические детали инструмента в случае соприкосновения с находящимся под напряжением провода возможно поражение оператора электрическим током.
- ◆ **Используйте зажимы или другие уместные средства фиксации обрабатываемой детали на стабильной опоре.** Держать деталь на весу или в руках перед собой неудобно и это может привести к потере контроля над инструментом.
- ◆ Перед тем, как сверлить отверстия в стенах, полах или потолках проверьте места прохождения проводки и трубопроводов.
- ◆ Избегайте касания к сверлу сразу после работы, оно может сильно нагреваться.
- ◆ Далее в руководстве приводятся виды работ, для которых предназначен данный инструмент. Применение любых принадлежностей и приспособлений, а также выполнение любых операций помимо тех, которые рекомендованы данным руководством, может привести к травме.

Общие правила безопасности при работе с электроинструментом



Внимание! Дополнительные правила техники безопасности при использовании дрелей

Безопасность окружающих

- ◆ Данное устройство не предназначено для использования лицами (включая детей) с ограниченными физическими, сенсорными или ментальными

возможностями, а также лицами без достаточного опыта и знаний, если только они не делают этого под руководством лица имеющего соответствующий опыт и отвечающего за их безопасность.

- ◆ Не позволяйте детям играть с данным устройством.

Остаточные риски

Помимо тех рисков, что указаны в правилах техники безопасности, при использовании инструмента могут возникнуть дополнительные остаточные риски. Это может произойти при неправильной эксплуатации или продолжительном использовании инструмента и т.п.

Несмотря на соблюдение соответствующих инструкций по технике безопасности и использование предохранительных устройств, некоторые остаточные риски невозможно полностью исключить. Это включает:

- ◆ Травмы в результате соприкосновения с вращающимися/подвижными компонентами.
- ◆ Травмы в результате замены каких-либо компонентов, полотен или принадлежностей.
- ◆ Травмы, связанные с длительным использованием инструмента. При использовании любого инструмента в течение продолжительного периода времени не забывайте делать перерывы.
- ◆ Нарушение слуха.
- ◆ Угрозы здоровью в результате вдыхания пыли, которая образуется при использовании инструмента (например, при работе с деревом, особенно дубом, буком и ДВП).

Вибрация

Заявленные значения вибрации указанные в технических спецификациях и заявлении о соответствии были измерены в соответствии с стандартным методом тестирования EN 60745 и могут быть использованы для сравнения инструментов. Заявленное значение эмиссии вибрации также может использоваться при предварительной оценке воздействия вибрации.

Внимание! Значение эмиссии вибрации в каждом конкретном случае применения

электроинструмента может отличаться от заявленного в зависимости от того, каким образом используется инструмент. Уровень вибрации может быть выше заявленного.

При оценке уровня вибрации для определения степени безопасности, предусмотренного 2002/44/ЕС для защиты людей регулярно пользующихся электроинструментом при работе, нужно принимать во внимание уровень вибрации, реальные условия использования и способ использования инструмента, а также учитывать все этапы цикла работы, когда инструмент выключается, когда он работает на холостом ходу, а также время переключения с одного режима на другой.

Условные обозначения на инструменте

На инструменте содержатся следующие значки вместе с кодом даты:



Внимание! Во избежание риска получения травм, прочитайте инструкцию по применению.

Дополнительные правила техники безопасности для аккумуляторных батарей и зарядных устройств (не прилагающихся к инструменту)

Аккумуляторы

- ◆ Никогда не пытайтесь разобрать аккумуляторы.
- ◆ Не подвергайте аккумуляторы воздействию воды.
- ◆ Не оставляйте в местах, где температура превышает 40 °С.
- ◆ Заряжайте только при температуре 10 °С - 40 °С.
- ◆ Заряжайте аккумуляторы только с зарядным устройством, которое прилагается к инструменту.
- ◆ При утилизации аккумуляторов следуйте инструкциям, указанным в разделе «Защита окружающей среды».



Не пытайтесь заряжать поврежденные аккумуляторные батареи.

Зарядные устройства

- ◆ Используйте свое зарядное устройство BLACK+DECKER только для зарядки аккумулятора инструмента, с которым оно поставлялось. Использование

аккумуляторов другого типа может привести к взрыву, травме и повреждению.

- ◆ Не пытайтесь заряжать одноразовые батареи.
- ◆ Немедленно заменяйте поврежденный шнур питания.
- ◆ Не подвергайте зарядное устройство воздействию влаги.
- ◆ Не вскрывайте зарядное устройство.
- ◆ Не разбирайте зарядное устройство.



Зарядное устройство можно использовать только в помещении.



Перед началом работы прочтите руководство по эксплуатации.

Электрическая безопасность



Ваше зарядное устройство имеет двойную изоляцию, поэтому заземления не требуется. Необходимо обязательно убедиться в том, что напряжение источника питания соответствует указанному на шильдике. Никогда не пытайтесь заменить зарядное устройство на обычную сетевую вилку.

- ◆ Если поврежден сетевой шнур, его нужно заменить у производителя или в официальном сервисном центре BLACK+DECKER, чтобы избежать рисков.

Характеристики

Этот инструмент имеет следующие характеристики или некоторые из них.

1. Спусковой выключатель
2. Реверсивный ползунковый переключатель
3. Кольцо установки крутящего момента
4. Быстрозажимной патрон
5. Аккумуляторная батарея
6. Кнопка разблокировки аккумулятора отсека
7. Зарядное устройство

Сборка

Использование

Внимание! Инструмент должен работать в обычном режиме. Избегайте перегрузок.

Зарядка аккумуляторной батареи (рис. А)

Перед первым использованием аккумулятор нужно зарядить, и делать это всякий раз, когда чувствуете, что для выполнения работы

не хватает мощности инструмента. Во время зарядки аккумулятор нагревается, это нормально и не говорит о неисправности.

Внимание! Не заряжайте батарею при температуре окружающей среды ниже 10 °C или выше 40 °C. Рекомендуемая температура при зарядке: около 24 °C.

Примечание: Зарядное устройство не заряжает аккумулятор если температура аккумулятора элемента меньше 10 °C или больше 40 °C. Аккумулятор нужно оставить в зарядном устройстве и зарядка начнется автоматически, когда температура аккумулятора элемента станет нормальной.

- ◆ Вставьте зарядное устройство (8) в любую стандартную розетку 230 В 50 Гц.
- ◆ Вставьте аккумуляторную батарею в зарядное устройство, как показано на рис. А.
- ◆ Зеленый светодиод (9) начнет мигать, что означает начало зарядки батареи.
- ◆ По окончании зарядки зеленый светодиод начнет гореть непрерывно. Теперь батарея полностью заряжена, и ее можно использовать или оставить в зарядном устройстве.

Внимание! Не используйте инструмент, пока он подключен к зарядному устройству.

Внимание! Огнеопасно. При отсоединении зарядного устройство от инструмента, сначала выньте вилку зарядного устройства из розетки, затем отсоедините шнур зарядного устройства от инструмента.

Установка и извлечение аккумуляторной батареи из инструмента (рис. В)

Внимание! Убедитесь, нажата ли кнопка блокировки, чтобы исключить вероятность срабатывания выключателя при снятии или установке батареи. Установка батареи:

- ◆ Вставьте аккумуляторную батарею в инструмент до слышимого щелчка (рис. В)

Снятие аккумуляторной батареи с инструмента (рис. С)

- ◆ Нажмите кнопку высвобождения батареи, как показано на (рис. С) и вытащите аккумуляторную батарею из инструмента.

Инструкции по эксплуатации


Курковый выключатель и кнопка реверсивного вращения (рис. D)

- ◆ Дрель включается и выключается нажатием и отпусканием куркового выключателя (1). Чем сильнее нажат выключатель, тем больше скорость работы дрели
- ◆ Кнопка изменения направления вращения (2) определяет направление вращения инструмента, а также используется для блокировки инструмента.
- ◆ Для установки вращения по часовой стрелке отпустите курковый выключатель и нажмите кнопку изменения направления влево.
- ◆ Для установки реверсивного направления вращения нажмите кнопку изменения направления вращения в обратном направлении.
- ◆ Чтобы заблокировать инструмент, установите переключатель вперед/назад в центральное положение.

Примечание! Центральное положение кнопки управления блокирует инструмент в выключенном положении. При изменении положения кнопки управления курковый выключатель должен быть опущен.

Контроль крутящего момента (Рис. E)

В данном инструменте имеется муфта установки крутящего момента (3), позволяющая выбирать режим работы и настроить вращающий момент для завинчивания шурупов. Для больших шурупов и жестких рабочих материалов требуется больший крутящий момент, чем для маленьких шурупов и мягких материалов.

- ◆ Для сверления установите муфту в положение сверления, отмеченное символом .
- ◆ Для завинчивания шурупов установите муфту в нужное положение настройки. Если вы не уверены в нужном значении, сделайте следующее:
 - ◆ Установите муфту на самое малое значение вращающего момента.
 - ◆ Затяните первый шуруп.
 - ◆ Если муфта затрещит до того, как вы добьетесь нужного результата, увеличьте значения настроек и продолжите затягивать шуруп.

Повторяйте до тех пор, пока не найдете нужные значения настроек. Используйте эти настройки для остальных шурупов

Быстрозажимной патрон (рис. F)

Внимание! Убедитесь, нажата ли кнопка блокировки, чтобы исключить вероятность срабатывания выключателя при снятии или установке дополнительных принадлежностей. Чтобы вставить насадку или другую принадлежность:

- ◆ Удерживая заднюю часть патрона (10) одной рукой, другой рукой поворачивайте в направлении против часовой стрелки переднюю часть (11) патрона, смотря со стороны конца патрона.
- ◆ Полностью вставьте насадку или другую принадлежность в патрон и надежно затяните, удерживая заднюю часть патрона и поворачивая его переднюю часть против часовой стрелки, смотря со стороны конца патрона.

Внимание! Не пытайтесь затягивать сверла дрели (или любую другую оснастку), удерживая патрон и включая инструмент. При смене принадлежностей можно повредить патрон и получить травму.

Сверление/завинчивание шурупов

- ◆ Выберите направление вращения с помощью переключателя (2).
- ◆ Чтобы включить инструмент нажмите на спусковой выключатель (1). Скорость инструмента зависит от степени нажатия на этот выключатель.
- ◆ Чтобы выключить инструмент отпустите спусковой выключатель.

Советы по оптимальному использованию

Сверление

- ◆ Всегда прикладывайте небольшое усилие параллельно насадке.
- ◆ Перед тем, как наконечник бура выйдет с другой стороны рабочей детали, уменьшите давление на инструмент.
- ◆ Используйте деревянный брусок, подложив его с обратной стороны рабочей детали, который может расщепиться.
- ◆ Используйте первое сверло для сверления отверстий большого диаметра в дереве.

- ◆ Используйте перовое сверло из быстрорежущей стали при сверлении отверстий в металле.
- ◆ Используйте буры для бетона при сверлении отверстий в неармированном бетоне.
- ◆ Используйте смазку при сверлении отверстий в металле, кроме чугуна и латуни.
- ◆ Сделайте вырубку с помощью центрального пробойника по центру отверстия, которое нужно просверлить для того, чтобы сделать это более точно.

Завинчивание шурупов

- ◆ Всегда используйте насадки для отвертки нужного типа и размера.
- ◆ Если винты закручиваются с трудом, попробуйте нанести небольшое количество жидкого моющего средства или мыла в качестве смазки.
- ◆ Всегда держите инструмент и наконечник отвертки на одной линии с винтом

Неисправности и способы их устранения

Неисправность	Возможная причина	Возможное решение
Инструмент не включается.	Аккумуляторная батарея разряжена.	Проверьте требования по зарядке аккумуляторной батареи
Аккумуляторная батарея не заряжается.	Зарядное устройство не подключено к сети.	Подключите зарядное устройство к рабочей розетке.
	Температура окружающей среды слишком высокая или слишком низкая.	Переместите зарядное устройство и аккумуляторную батарею в место с температурой выше 40 F (45 °C) или ниже 105 F (+40.5 °C)

Неисправность	Возможная причина	Возможное решение
Устройство внезапно выключается.	Аккумуляторная батарея нагрелась по предельной допустимой температуры.	Позвольте аккумуляторной батарее остыть.
	Аккумуляторная батарея разряжена. (Чтобы увеличить срок службы аккумуляторной батареи, ее конструкция предусматривает отключение после разрядки	Установите в зарядное устройство и позвольте зарядиться.

Техническое обслуживание

Электроинструмент BLACK+DECKER имеет длительный срок эксплуатации и требует минимальных затрат на техобслуживание. Для длительной безотказной работы необходимо обеспечить правильный уход за инструментом и его регулярную очистку.

Зарядное устройство не требует никакого обслуживания кроме регулярной очистки.

Внимание! Перед выполнением любых работ по обслуживанию инструмента снимайте аккумулятор с инструмента. Перед очисткой инструмента отсоедините его от зарядного устройства.

- ◆ Регулярно очищайте вентиляционные отверстия и зарядное устройство с помощью мягкой щетки или сухой тканевой салфетки.
- ◆ Регулярно очищайте корпус двигателя с помощью влажной салфетки. Не используйте никакие абразивные чистящие средства или средства на основе растворителей.
- ◆ Регулярно открывайте патрон и очищайте ее от грязи.

Защита окружающей среды



Отдельная утилизация. Это изделие нельзя утилизировать с обычными бытовыми отходами.

Если изделие BLACK+DECKER потребует замены или станет не нужным, не утилизируйте его вместе с бытовыми

отходами. Утилизацию данного изделия нужно производить в пунктах раздельного сбора отходов.



Система раздельного сбора отработавших изделий и упаковочных материалов позволяет перерабатывать их и использовать повторно. Повторное использование переработанных материалов помогает защитить окружающую среду от загрязнения и сокращает потребность в сырье.

Местные нормативы могут предусматривать утилизацию электрооборудования отдельно от бытовых отходов на муниципальных свалках или его возврат продавцу, у которого изделие было приобретено.

BLACK+DECKER предлагает места для сбора и переработки продукции BLACK+DECKER по завершении их срока службы. Чтобы воспользоваться этой услугой верните свое изделие любому авторизованному агенту по ремонту, который занимается сбором этих продуктов от имени компании.

Адрес ближайшего авторизованного сервисного центра можно получить, обратившись в местное представительство компании BLACK+DECKER по адресу, указанному в настоящем руководстве. Кроме того, список уполномоченных специалистов по ремонту BLACK+DECKER, подробную информацию о послепродажном обслуживании и контактную информацию можно найти по адресу: www.2helpU.com.

Аккумуляторы



Внутри нет деталей для обслуживания пользователем.

- ♦ В конце срока службы изделие верните изделие агенту по обслуживанию или сдайте в местный пункт переработки для переработки батареи. Не выбрасывайте изделие вместе с бытовыми отходами.

Технические характеристики

		BDCDD12
Напряжение	V _{пост. тока}	10,8
Скорость без нагрузки	мин ⁻¹	0-550 об/мин
Макс. вращающий момент	Нм	12,5/26
Наибольший диаметр сверла	мм	1-10
Максимальный диаметр сверления		
Сталь/дерево	мм	10/25
Вес	кг	0,98

		90589867
Входное напряжение	V _{перем. тока}	230
Выходное напряжение	V _{пост. тока}	10,8
Ток	мА	200
Прибл. время зарядки	час.	8

		90590287-02
Входное напряжение	V _{перем. тока}	230
Выходное напряжение	V _{пост. тока}	10,8
Ток	мА	400
Прибл. время зарядки	час.	3-5

		90599854-06
Входное напряжение	V _{перем. тока}	230
Выходное напряжение	V _{пост. тока}	10,8
Ток	амперы	1
Прибл. время зарядки	час.	1,5

		BL1512
Напряжение	V _{пост. тока}	10,8
Емкость аккумулятора	Ач	1,5
Тип		ионно-литиевая

Уровень звукового давления согласно EN 60745:

Акустическое давление (L_{pA}) 63 дБ(А), погрешность (К) 3 дБ(А), Звуковая мощность (L_{WA}) 74 дБ(А), погрешность(К) 3 дБ(А)

Общие значения вибрации (сумма триаксиального вектора), определенные в соответствии со стандартом EN 60745:

Сверление металла ($a_{h,D}$) < 2,5 м/с², погрешность (К) 1,5 м/с², закручивание без удара ($a_{h,r}$) < 2,5 м/с², погрешность (К) 1,5 м/с²

Заявление о соответствии нормам ЕС

ДИРЕКТИВА ПО МЕХАНИЧЕСКОМУ
ОБОРУДОВАНИЮ



BDCCDD12 - дрель, шурупверт

Black & Decker заявляет, что продукция, описанная в “технических характеристиках” соответствует: 2006/42/ЕС, EN 60745-1, EN 60745-2-1, EN 60745-2-2.

Эти изделия также соответствуют директиве 2004/108/ЕС (до 19.04.2016), 2014/30/EU (с 20.04.2016) и 2011/65/EU. За дополнительной информацией обращайтесь в компанию Black & Decker по адресу, указанному ниже или приведенному на задней стороне обложки руководства.

Нижеподписавшийся несет ответственность за составление технической документации и составил данную декларацию по поручению компании Black & Decker.

Р. Лаверик (R. Laverick)
Менеджер
по производству
Black & Decker Europe
210 Bath Road, Slough
Berkshire, SL1 3YD
United Kingdom
14.07.2015

Гарантия

Black & Decker уверены в качестве своих продуктов и предлагает замечательную гарантию. Это заявление о гарантии дополнительное и ни в коей мере не причиняет вред Вашим юридическим правам. Гарантия действует на территории стран Европейского Союза и Европейской зоны свободной торговли.

Если в течение 24 месяцев с момента приобретения будет обнаружен дефект изделия Black & Decker в результате некачественных материалов, некачественного изготовления или несоответствия стандартам, то компания Black & Decker обеспечит замену неисправных деталей, ремонт изделия с нормальным износом или замену таких изделий для обеспечения минимального

неудобства покупателю, за исключением случаев, когда:

- ◆ Данный продукт использовался для коммерческих, профессиональных целей или для аренды;
- ◆ Данный продукт использовался не по назначению или с нарушением инструкций по эксплуатации;
- ◆ Данный продукт получил повреждения в результате попадания в него инородных предметов, веществ или в результате аварии;
- ◆ Была предпринята попытка выполнения ремонта лицами, которые не уполномочены заниматься такого рода ремонтом и которые не являются специалистами сервисных центров Black & Decker.

Для заявки претензии по гарантии необходимо предъявить свидетельство о покупке от продавца или авторизованного агента по ремонту. Адрес ближайшего авторизованного сервисного центра можно получить, обратившись в местное представительство компании Black & Decker по адресу, указанному в настоящем руководстве. Кроме того, список авторизованных агентов по ремонту Black & Decker и подробную информацию о послепродажном обслуживании и контактах можно найти на веб-сайте: www.2helpU.com.

Посетите наш веб-сайт

www.blackanddecker.co.uk, чтобы зарегистрировать свое новое изделие BLACK+DECKER и получать информацию о новинках и специальных предложениях. Подробную информацию о марке BLACK+DECKER и нашем ассортименте товаров можно найти под адресу: www.blackanddecker.co.uk.

BLACK+DECKER

Гарантийные условия

Уважаемый покупатель!

1. Поздравляем Вас с покупкой высококачественного изделия BLACK+DECKER и выражаем признательность за Ваш выбор.
 2. При покупке изделия требуйте проверки его комплектности и исправности в Вашем присутствии, инструкцию по эксплуатации и заполненный гарантийный талон на русском языке.
В гарантийном талоне должны быть внесены: модель, дата продажи, серийный номер, дата производства инструмента; название, печать и подпись торговой организации. При отсутствии у Вас правильно заполненного гарантийного талона мы будем вынуждены отклонить Ваши претензии по качеству данного изделия.
 3. Во избежание недоразумений убедительно просим Вас перед началом работы с изделием внимательно ознакомиться с инструкцией по его эксплуатации. Правовой основой настоящих гарантийных условий является действующее Законодательство. Гарантийный срок на данное изделие составляет 24 месяца и исчисляется со дня продажи. В случае устранения недостатков изделия, гарантийный срок продлевается на период его нахождения в ремонте. Срок службы изделия - 5 лет со дня продажи.
 4. В случае возникновения каких-либо проблем в процессе эксплуатации изделия рекомендуем Вам обращаться только в уполномоченные сервисные центры BLACK+DECKER, адреса и телефоны которых Вы сможете найти в гарантийном талоне, на сайте www.2helpU.com или узнать в магазине. Наши сервисные станции - это не только квалифицированный ремонт, но и широкий ассортимент запчастей и принадлежностей.
 5. Производитель рекомендует проводить периодическую проверку и техническое обслуживание изделия в уполномоченных сервисных центрах.
6. Наши гарантийные обязательства распространяются только на неисправности, выявленные в течение гарантийного срока и вызванные дефектами производства и \ или материалов.
 7. **Гарантийные обязательства не распространяются на неисправности изделия, возникшие в результате:**
 - 7.1. Несоблюдения пользователем предписаний инструкции по эксплуатации изделия, применения изделия не по назначению, неправильном хранении, использовании принадлежностей, расходных материалов и запчастей, не предусмотренных производителем.
 - 7.2. Механического повреждения (сколы, трещины и разрушения) внутренних и внешних деталей изделия, основных и вспомогательных рукояток, сетевого электрического кабеля, вызванного внешним ударным или любым иным воздействием.
 - 7.3. Попадания в вентиляционные отверстия и проникновение внутрь изделия посторонних предметов, материалов или веществ, не являющихся отходами, сопровождающими применение изделия по назначению, такими как: стружка, опилки, песок, и пр.
 - 7.4. Воздействие на изделие неблагоприятных атмосферных и иных внешних факторов, таких как дождь, снег, повышенная влажность, нагрев, агрессивные среды, несоответствие параметров питающей электросети, указанным на инструменте.
 - 7.5. Стихийного бедствия. Повреждение или утрата изделия, связанное с непредвиденными бедствиями, стихийными явлениями, в том числе вследствие действия непреодолимой силы (пожар, молния, потоп и другие природные явления), а так же вследствие перепадов напряжения в электросети и другими причинами, которые находятся вне контроля производителя.
 8. **Гарантийные условия не распространяются:**
 - 8.1. На инструменты, подвергавшиеся вскрытию, ремонту или модификации вне уполномоченной сервисного центра.
 - 8.2. На детали и узлы, имеющие следы естественного износа, такие как: приводные ремни и колеса, угольные щетки, смазка, подшипники, зубчатое зацепление редукторов, резиновые уплотнения, сальники, направляющие ролики, муфты, выключатели, бойки, толкатели, стволы и т.п.
 - 8.3. На сменные части: патроны, цанги, зажимные гайки и фланцы, фильтры, аккумуляторные батареи, ножи, шлифовальные подошвы, цепи, звездочки, пильные шины, защитные кожухи, пилки, абразивы, пильные и абразивные диски, фрезы, сверла, буры и т.п.
 - 8.4. На неисправности, возникшие в результате перегрузки инструмента (как механической, так и электрической), повлекшей выход из строя одновременно двух и более деталей и узлов, таких как: ротора и статора, обеих обмоток статора, ведомой и ведущей шестерни редуктора и других узлов и деталей. К безусловным признакам перегрузки изделия относятся, помимо прочих: появление цветов побежалости, деформация или оплавление деталей и узлов изделия, потемнение или обугливание изоляции проводов электродвигателя под воздействием высокой температуры.



Приложение к руководству по эксплуатации электроинструмента

Дрели аккумуляторные

Модели:

BDCD12*, BDCD18*, BDCD8*, BDCDD12*, BDCDD18*, BDCDD186*, BDCD188*, BDCD18*, BDCD18K*, BDN18*, BDN18K, BDK148*, BDK148K*, BDK188*, BDK188K*, DCD700*, EPC182*, EPC182K2, EPC188K*, SCD12*, SCD20*, SCI12*, STCD20*, STCH12*, STCH20*, STCI1081*, STCI12*, STDC012*, STDC100*. - Сделано в Китае.

Где символ "*" - различные варианты исполнения изделия.

Сертификат №: RU C-DE.АЯ46.В.71081

Действителен до: 11 марта 2018 г.

Выдан: Орган по сертификации "РОСТЕСТ- Москва" ЗАО "Региональный орган по сертификации и тестированию", Адрес: 119049 г. Москва, улица Житная, д. 14, стр. 1; 117418, Москва, Нахимовский просп., 31 (фактический), Телефон: (499) 1292311, (495) 6682893; Факс: (495) 6682893, E-mail: office@rostest.ru,

Изготовитель: Блэк энд Деккер Холдингс ГмбХ Германия, 65510, Идштайн, ул. Блэк энд Деккер, 40

Хранение.

Необходимо хранить в сухом месте, вдали от источников повышенных температур и воздействия солнечных лучей. При хранении необходимо избегать резкого перепада температур. Хранение без упаковки не допускается

Срок службы.

Срок службы изделия составляет 5 лет. Не рекомендуется к эксплуатации по истечении 5 лет хранения с даты изготовления без предварительной проверки.

Дата изготовления (код даты) указана на корпусе инструмента.

Код даты, который также включает год изготовления, отштампован на поверхности корпуса изделия.

Пример:

2014 46 XX, где 2014 –год изготовления, 46-неделя изготовления.

Определить месяц изготовления по указанной неделе изготовления можно согласно приведенной ниже таблице.

Месяц	Январь	Февраль	Март	Апрель	Май	Июнь	Июль	Август	Сентябрь	Октябрь	Ноябрь	Декабрь	Год производства
Неделя	01	05	09	14	18	22	27	31	36	40	44	49	2014
	02	06	10	15	19	23	28	32	37	41	45	50	
	03	07	11	16	20	24	29	33	38	42	46	51	
	04	08	12	17	21	25	30	34	39	43	47	52	
	05	09	13	18	22	26	31	35	40	44	48		
			14			27							
Неделя	01	05	09	14	18	23	27	31	36	40	44	49	2015
	02	06	10	15	19	24	28	32	37	41	45	50	
	03	07	11	16	20	25	29	33	38	42	46	51	
	04	08	12	17	21	26	30	34	39	43	47	52	
		09	13	18	22	27	31	35	40	44	48	53	
			14					36			49		
Неделя	01	05	09	13	17	22	26	31	35	39	44	48	2016
	02	06	10	14	18	23	27	32	36	40	45	49	
	03	07	11	15	19	24	28	33	37	41	46	50	
	04	08	12	16	20	25	29	34	38	42	47	51	
		09	13	17	21	26	30	35	39	43	48	52	
				22					44				
Неделя	01	05	09	13	18	22	26	31	35	39	44	48	2017
	02	06	10	14	19	23	27	32	36	40	45	49	
	03	07	11	15	20	24	28	33	37	41	46	50	
	04	08	12	16	21	25	29	34	38	42	47	51	
	05	09	13	17	22	26	30	35	39	43	48	52	
						31			44				

Уполномоченное изготовителем юрлицо:

ООО "Стэлли Блэк энд Деккер", 117485, город Москва, улица Обручева, дом 30/1, строение 2
Телефон: + 7 (495) 258-3981, факс: + 7 (495) 258-3984, E-mail: inbox@dewalt.com

Сведения о импортере указаны в сопроводительной документации и/или на упаковке

Транспортировка.

Категорически не допускается падение и любые механические воздействия на упаковку при транспортировке.

При разгрузке/погрузке не допускается использование любого вида техники, работающей по принципу зажима упаковки.

Перечень критических отказов, возможные ошибочные действия персонала.

Не допускается эксплуатация изделия:

- При появлении дыма из корпуса изделия
- При поврежденном и/или оголенном сетевом кабеле
- при повреждении корпуса изделия, защитного кожуха, рукоятки
- при попадании жидкости в корпус
- при возникновении сильной вибрации
- при возникновении сильного искрения внутри корпуса

Критерии предельных состояний.

- При поврежденном и/или оголенном сетевом кабеле
- при повреждении корпуса изделия

Область застосування

Ваш дріль BDCDD12 виробництва компанії BLACK+DECKER розроблений для використання в якості викрутки та для свердління дерева, металу та пластику. Цей інструмент призначений лише для побутового використання.

Інструкції з техніки безпеки

Загальні правила безпеки для електричного інструменту



Попередження! Перед використанням інструменту уважно прочитайте всі попередження та інструкції. Невиконання попереджень та інструкцій, наведених нижче, може призвести до ураження електричним струмом, пожежі та/або серйозних травм.

Збережіть всі попередження та інструкції для використання в майбутньому.

Термін „електричний інструмент „ в усіх попередженнях, перерахованих нижче, стосується використовуваних Вами інструментів, що працюють від мережі енергоспоживання (з використанням електричного кабелю) або акумуляторів (без кабелю).

1. Безпека робочої зони

- Тримайте робочу зону чистою та добре освітленою.** Неупорядковані та темні робочі зони збільшують ймовірність нещасного випадку.
- Не використовуйте електричні інструменти у вибухонебезпечній атмосфері, наприклад, у присутності вогненебезпечних рідин, газів та пилу.** Електричні інструменти створюють іскри, що можуть запалити пил або випаровування.
- Тримайте дітей та сторонніх подалі під час використання інструменту.** Відвернення уваги може призвести до втрати контролю.

2. Електрична безпека

- Вилка електричного інструменту має відповідати розетці. Ніколи ніяким чином не змінюйте вилку. Не використовуйте адаптерів із заземленими електричними**

інструментами. Немодифіковані вилки та розетки, що підходять до них, зменшують ризик ураження електричним струмом.

- Уникайте контакту тіла з заземленими поверхнями, такими як труби, радіатори, плити та холодильники.** Якщо Ваше тіло заземлене, збільшується ризик ураження електричним струмом.
 - Не залишайте електричні інструменти під дощем або за умов підвищеної вологості.** Вода, що потрапляє в електричний інструмент, підвищує ризик ураження електричним струмом.
 - Не використовуйте кабель живлення не за призначенням. Ніколи не використовуйте шнур для перенесення, витягування та відключення від розетки живлення електричного інструменту. Тримайте шнур подалі від високих температур, мастила, гострих предметів та рухомих деталей.** Пошкоджені або перекручені шнури підвищують ризик ураження електричним струмом.
 - При використанні електричного інструменту на вулиці, використовуйте подовжуючий шнур, що підходить для використання на вулиці.** Використання шнура, що підходить для вулиці, знижує ризик ураження електричним струмом.
 - Якщо неможливо уникнути використання електричного інструменту за умов підвищеної вологості, використовуйте джерело живлення, захищене пристроєм залишкового струму (RCD).** Використання RCD знижує ризик ураження електричним струмом.
- #### 3. Особиста безпека
- Будьте в стані готовності, дивіться, що ви робите, та використовуйте загальний глузд, коли ви працюєте з електричним інструментом. Не використовуйте електричний інструмент, коли ви втомлені або знаходитесь під впливом наркотичних речовин, алкоголю або ліків.** Втрата уваги при роботі з електричними інструментами може призвести до серйозних травм.
 - Використовуйте особисті засоби безпеки. Завжди використовуйте засоби захисту очей.** Засоби безпеки, такі як протипилова маска, неслизькі безпечні чоботи, твердий капелюх та засоби захисту

слухового апарату, які використані для відповідних умов, зменшують імовірність особистих травм.

с. Уникайте випадкового запуску.

Переконайтесь в тому, що вимикач знаходиться в позиції Вимк. перед підключенням до джерела живлення та/або акумулятора, переміщенням або перенесенням пристрою. Перенесення інструменту, тримаючи палець на вимикачі, або підключення живлення з перемикачем в позиції Увімк. може призвести до нещасного випадку.

d. Зніміть всі налаштувальні ключі або гайкові ключі перед тим, як вмикати електричний інструмент. Гайковий ключ, що залишився прикріпленим до якоїсь деталі електричного пристрою, що обертається, може призвести до травм.

e. Не перенапружуйтеся. Завжди утримуйте правильну постановку ніг і рівновагу. Це дає вам змогу краще контролювати інструмент в неочікуваних ситуаціях.

f. Вдягайте відповідний одяг. Не вдягайте вільний одяг чи прикраси. Тримайте ваше волосся, одяг та рукавички подалі від рухомих деталей. Вільний одяг, прикраси або довге волосся може зачепитися за рухомі деталі.

g. Якщо передбачені пристрої для підключення до засобів виділення та збирання пилу, переконайтеся, що вони правильно підключені та використовуються. Використання таких пристроїв зменшує ризик виникнення небезпечних ситуацій, що пов'язані з потраплянням пилу.

4. Використання та догляд за електричним інструментом

a. Не використовуйте надмірні зусилля при роботі з інструментом. Використовуйте відповідний електричний інструмент для вашої задачі. Правильно обраний інструмент виконає завдання краще та безпечніше за умов, для яких він був розроблений.

b. Не використовуйте інструмент, вмикач якого не вмикає та не вмикає його. Будь-який електричний інструмент, який не може управлятися вмикачем, є небезпечним і має бути відремонтований.

с. Відключіть вилку від джерела живлення та/або зніміть акумуляторний блок з інструменту перед тим, як робити будь-які налаштування, змінювати додаткове обладнання чи зберігати інструмент. Ці профілактичні заходи зменшують ризик випадкового запуску електричного інструменту.

d. Зберігайте вимкнені електричні інструменти подалі від дітей та не дозволяйте особам, що не знайомі з електричним інструментом або цими інструкціями, використовувати електричний інструмент. Електричні інструменти є небезпечними, якщо вони використовуються некваліфікованими користувачами.

e. Технічне обслуговування електричних інструментів. Перевіряйте на відсутність вирівнювання або заїдання рухомих деталей, ушкоджених частин та інших умов, що можуть впливати на роботу електричного інструменту. Якщо є ушкодження, відремонтуйте електричний інструмент перед використанням. Багато нещасних випадків є результатом того, що інструмент не пройшов відповідного технічного обслуговування.

f. Тримайте ріжучі інструменти гострими та чистими. Правильно доглянуті ріжучі інструменти з гострими ріжучими кромками мають меншу ймовірність заїдання, та ними легше керувати.

g. Використовуйте електричний інструмент, додаткові інструменти та деталі інструменту тощо у відповідності до цих інструкцій, зважаючи на умови використання та роботу, яка має бути виконана. Використання електричних інструментів не за призначенням може призвести до виникнення небезпечних ситуацій.

5 Використання акумуляторного інструменту та догляд за ним

a. Заряджайте інструмент лише за допомогою зарядного пристрою, що вказаний виробником. Зарядний пристрій, що підходить до одного типу акумуляторів, може призвести до пожежі, коли використовується з іншим акумулятором.

b. Використовуйте електричні інструменти лише зі спеціально розробленим акумулятором. Використання інших акумуляторів може призвести до травм або пожежі.

c. Коли акумулятори не використовуються, зберігайте їх подалі від металевих предметів, як скріпки, монети, ключі, цвяхи, гвинти або інші невеликі предмети, що можуть призвести до замикання двох контактів. Зімкнення терміналів акумулятора може призвести до вибуху або пожежі.

d. За невідповідних умов використання рідина може витекти з батареї, уникайте контакту з цією рідиною. При випадковому контакті змийте відповідне місце водою. Якщо рідина потрапила в очі, необхідно звернутися до лікаря. Рідина, що витікає з батареї, може призвести до подразнень та опіків.

6. Обслуговування

a. Надавайте електричний інструмент для обслуговування кваліфікованим спеціалістом з ремонту та використовуйте тільки ідентичні заміні деталі. Це забезпечить безпеку електричного пристрою, що обслуговується.

Додаткові правила безпеки для електричного інструменту



Попередження! Додаткові попередження з техніки безпеки для дрелів

- ◆ **Використовуйте додаткові ручки, що надаються з інструментом.** Втрата контролю над інструментом може викликати травми.
- ◆ **Тримайте інструмент за ізольовану поверхню при виконанні операцій, коли ріжучі аксесуари можуть торкнутися схованої проводки.** Ріжучі елементи при контакті з дротом під напругою може призвести до появи напруги в інструменті та ураження оператора електричним струмом.
- ◆ **Тримайте інструмент за ізольовану поверхню при виконанні операцій, коли кріпильний елемент може торкнутися схованої проводки.** Контакт кріпильних

елементів з дротом під напругою може призвести до появи напруги в інструменті та ураження оператора електричним струмом.

- ◆ Використовуйте затискачі або інший спосіб закріплення деталі, що оброблюється, на стабільній платформі. Утримування заготовки в руці та біля тіла робить її нестабільною та може призвести до втрати контролю.
- ◆ Перед свердлінням стін, підлоги та стелі переконайтесь, що в цьому місці не розташована електрична проводка та труби.
- ◆ Уникайте контакту з кінцем свердла відразу після свердління, тому що він може бути гарячим.
- ◆ Використання за призначенням описане у цьому керівництві з використання. Використання аксесуарів або приладдя, або виконання будь-яких дій з інструментом, що суперечать рекомендаціям цього керівництва, може призвести до ризику травмування людини та/або пошкодження майна.

Безпека сторонніх людей

- ◆ Цей інструмент не призначений для використання особами (включаючи дітей) із зниженими фізичними, сенсорними або розумовими можливостями або особами, яким бракує досвіду або знань за винятком випадків, коли такі особи працюють під наглядом або отримали інструкції щодо використання пристрою від особи, яка несе відповідальність за їх безпеку.
- ◆ Діти повинні знаходитись під контролем, щоб гарантувати, що вони не будуть грати з пристроєм.

Залишкові ризики

При використанні інструменту можуть виникнути додаткові залишкові ризики, які можуть бути не внесені до попереджень щодо техніки безпеки цього керівництва. Ці ризики можуть виникнути як результат неправильного використання, тривалого використання, тощо.

Незважаючи на виконання всіх відповідних правил техніки безпеки та використання пристроїв безпеки, неможливо уникнути деяких залишкових ризиків. Сюди належать:

- ◆ Травми через контакт з деталями, що рухаються/обертуються.

- ◆ Травми при заміні деталей, пильних полотен або аксесуарів.
- ◆ Травми через занадто тривале використання інструменту. При використанні будь-якого інструменту протягом тривалого періоду часу не забувайте робити регулярні перерви.
- ◆ Порушення слуху.
- ◆ небезпека для здоров'я через вдихання пилу, що утворюється при використанні інструменту (наприклад, при роботі з деревом, особливо з дубом, березою та ДВП).

Вібрація

Значення вібрації, вказані у технічних даних та у декларації про відповідність виміряні з дотриманням стандартних методів тестування, наданих у стандарті EN 60745, та їх можна використовувати для порівняння одного інструменту з іншим. Задекларовані значення вібрації можна також використовувати для попередньої оцінки впливу вібрації.

Попередження! Значення вібрації під час використання інструменту може відрізнитися від задекларованого в залежності від способів використання інструменту. Рівень вібрації може перевищувати вказані значення.

При оцінці впливу вібрації для визначення заходів безпеки за вимогами 2002/44/ЕС, щоб захистити людей, що регулярно використовують інструменти в роботі, необхідно враховувати реальні умови та способи використання інструменту, включаючи врахування всіх періодів робочого циклу, наприклад, часу, коли інструмент вимкнено та коли він знаходиться в режимі очікування, а також часу реальної роботи інструменту.

Написи на інструменті

Наступні символи нанесені на інструмент разом в кодом дати:



Попередження! Щоб зменшити ризик травм, користувач повинен прочитати керівництво з експлуатації.

Додаткові інструкції з техніки безпеки для акумуляторів та зарядних пристроїв (не надаються з інструментом)

Батареї

- ◆ Ніколи не намагайтесь відкривати батарею.
- ◆ Не занурюйте батарею у воду.
- ◆ Не зберігайте у місцях, де температура може перевищувати 40 °С.
- ◆ Заряджайте лише за температури навколишнього середовища між 10 °С та 40 °С.
- ◆ Заряджайте лише за допомогою зарядного пристрою, що надається з інструментом.
- ◆ При викиданні батарей виконуйте інструкції, наведені у розділі „Захист навколишнього середовища“.



Не заряджайте пошкоджені батареї.

Зарядні пристрої

- ◆ Використовуйте зарядний пристрій BLACK+DECKER лише для зарядки батарей того інструменту, з яким він продавався. Інші батареї можуть вибухнути, спричинивши травми та пошкодження.
- ◆ Ніколи не намагайтесь заряджати батареї, що не підлягають зарядці.
- ◆ Негайно замінійте пошкоджений шнур живлення.
- ◆ Не піддавайте зарядний пристрій впливу води.
- ◆ Не відкривайте корпус зарядного пристрою.
- ◆ Не розбирайте зарядний пристрій.



Зарядний пристрій призначений лише для використання в приміщенні.



Прочитайте інструкції цього керівництва перед використанням.

Електрична безпека



Цей зарядний пристрій має подвійну ізоляцію; тому заземлення не є необхідним. Завжди перевіряйте, що джерело живлення відповідає напрузі, що вказана на табличці з паспортними даними. Ніколи не намагайтесь замінити зарядний пристрій звичайним мережним штепселем.

- ◆ Якщо шнур живлення пошкоджений, його необхідно замінити у виробника або в офіційному сервісному центрі компанії BLACK+DECKER для уникнення небезпеки.

Деталі

Цей інструмент має деякі чи всі деталі з нижче вказаних.

1. Перемикач змінної швидкості
2. Перемикач вперед/назад
3. Налаштувальне кільце крутного моменту
4. Патрон без ключа
5. Батарея
6. Кнопка звільнення батареї
7. Зарядний пристрій

Збирання

Використання

Попередження! Інструмент повинен працювати із рекомендованою швидкістю. Не перевантажуйте його.

Встановлення батареї (мал. А)

Необхідно зарядити батарею перед першим використанням, а також коли вона не може забезпечити достатню потужність для виконання завдань, які легко виконувались раніше. Батарея може стати теплою під час зарядки; це нормально та є показником проблеми.

Попередження! Не заряджайте батарею при температурі навколишнього середовища нижче 10 °С або вище 40 °С. Рекомендована температура зарядки: приблизно 24 °С.

Примітка. Зарядний пристрій не буде заряджати батарею, якщо її температура нижче 10 °С або вище 40 °С. Батарею потрібно залишити у зарядному пристрої, який почне заряджати її автоматично, коли температура батареї відповідно підніметься або знизиться.

- ◆ Підключіть зарядний пристрій (8) до стандартної електричної розетки потужністю 230 Воль та частотою 50 Гц.
- ◆ Встановіть батарею у зарядний пристрій, як показано на мал. А.
- ◆ Зелений світлодіод (9) почне миготіти, що є свідченням того, що батарея заряджається.
- ◆ Про завершення зарядки свідчить зелений світлодіод, який горить постійно та не миготить. Це означає, що батарея повністю заряджена, може використовуватися

відразу або залишатися в зарядному пристрої.

Попередження! Не використовуйте інструмент, коли він підключений до зарядного пристрою.

Попередження! Небезпека виникнення пожежі. При відключенні зарядного пристрою від інструменту спочатку відключіть його від розетки, а потім відключіть кабель живлення від інструменту.

Установка акумулятору в інструмент та його витягування з інструменту (мал. В)

Попередження! Перед встановленням та зніманням батареї переконайтеся, що інструмент заблокований, щоб уникнути його випадкового запуску.

Установка акумулятору:

- ◆ Встановіть акумуляторний блок в інструмент до відповідного звуку (мал. В)

Витягування акумулятору з інструменту (мал. С)

- ◆ Натисніть кнопку витягування батареї, як показано (мал. С), та витягніть її з інструменту.

Інструкції з використання

Тригерний перемикач і реверсивна кнопка (мал. D)

- ◆ Дриль вмикається та вимикається натисненням та відпусканням тригерного перемикача (1). Чим сильніше натиснений тригер, тим вища швидкість роботи дреля
- ◆ Реверсивна кнопка (2) визначає напрямок роботи інструменту, а також є кнопкою блокування.
- ◆ Щоб обрати обертання вперед, відпустіть тригерний перемикач та натисніть реверсивну кнопку вліво.
- ◆ Щоб обрати обертання назад, натисніть реверсивну кнопку у зворотньому напрямку.
- ◆ Щоб заблокувати інструмент, пересуньте реверсивний перемикач у центральне положення.

Примітка! Реверсивна кнопка у центральному положенні блокує інструмент у вимкненому стані. При зміні положення кнопки переконайтеся, що тригер відпущений.

Управління крутним моментом (мал. Е)

Інструмент оснащено кільцем регулювання крутного моменту (3), що дозволяє обрати робочий режим та встановити крутний момент для затягування гвинтів. Великі гвинти та тверді матеріали вимагають більшого крутного моменту, ніж малі гвинти та м'які матеріали.

- ◆ Для свердління поверніть це кільце у положення на символ свердління 1.
- ◆ Для використання в якості викрутки встановіть кільце у бажане положення. Якщо ви не знаєте точно, в яке положення потрібно його встановити, виконайте наступні дії:
 - ◆ Встановіть кільце на найнижче значення крутного моменту.
 - ◆ Затягніть перший гвинт.
 - ◆ Якщо муфта зупиниться до досягнення бажаного результату, збільшіть значення кільця та продовжуйте затягування гвинта. Повторіть до встановлення бажаного положення кільця. Використовуйте це положення для інших гвинтів.

Патрон без ключа (мал. F)

Попередження! Перед встановленням та зніманням насадок переконайтесь, що інструмент заблокований, щоб уникнути його випадкового запуску.

Встановлення свердла та інших насадок:

- ◆ Візьміть задню частину патрону (10) однією рукою та другою рукою поверніть передню його частину (11) проти годинникової стрілки, якщо дивитися з точки зору кінця патрону.
- ◆ Вставте свердел або іншу насадку повністю в патрон та міцно затягніть його, тримаючи задню частину патрону та повертаючи його передню частину за годинниковою стрілкою, якщо дивитися з точки зору кінця патрону.

Попередження! Не намагайтеся затягувати свердел (або іншу насадку), тримаючи передню частину патрону та вмикаючи інструмент. Заміна насадок може призвести до ушкодження патрону та травм.

Свердління/використання викрутки

- ◆ Виберіть напрямок руху вперед чи назад, використовуючи реверсний перемикач (2).

- ◆ Для ввімкнення інструменту натисніть перемикач (1). Швидкість інструменту залежить від того, наскільки сильно ви натиснете на перемикач.
- ◆ Щоб вимкнути інструмент, відпустіть перемикач.

Примітки для оптимального використання

Свердління

- ◆ Завжди дещо натискайте на інструмент, спрямовуючи силу по прямій лінії зі свердлом.
- ◆ Безпосередньо перед тим, як кінець свердла з'явиться з іншої сторони заготовки, зменшіть тиск на інструмент.
- ◆ Використовуйте дерев'яну планку для захисту заготовки, яка може розколотися.
- ◆ Використовуйте долотчасті насадки при свердлінні отворів великих діаметрів у дереві.
- ◆ Використовуйте свердла з високоміцної сталі при свердлінні металу.
- ◆ Використовуйте свердла для кладки при свердлінні м'якої цегляної кладки.
- ◆ Використовуйте мастило при свердлінні металу, за винятком чавуну та латуні.
- ◆ Зробіть помітку, використовуючи кернер, біля центру отвору, що буде просвердлений, щоб поліпшити точність.

Використання викрутки

- ◆ Завжди використовуйте правильний тип та розмір викрутки-вставки.
- ◆ Якщо гвинти важко затягуються, спробуйте застосувати невелику кількість миючої рідини чи мила в якості мастила.
- ◆ Завжди тримайте інструмент та викрутку-вставку по прямій лінії з гвинтом

Усунення несправностей

Проблема	Можлива причина	Можливе рішення
Пристрій не запускається.	Акумулятор не заряджається.	Перевірте вимоги до зарядки акумуляторного блоку
Акумулятор не заряджається.	Зарядний пристрій не підключений до мережі живлення.	Підключіть зарядний пристрій до робочої розетки.
	Температура навколишнього середовища занадто висока або занадто низька.	Перемістіть пристрій та акумулятор у місце з температурою вище 40 градусів F (4,5 °C) або нижче 105 градусів F (+40,5 °C)
Пристрій різко вимкнувся.	Акумулятор досягнув максимального термічного ліміту.	Дайте акумулятору охолонути.
	Розряджений акумулятор. (Щоб максимально подовжити термін роботи акумулятору, він розроблений таким чином, що пристрій різко вимикається, коли акумулятор розряджається)	Встановіть акумулятор в зарядний пристрій та зарядіть його.

Технічне обслуговування

Ваш інструмент виробництва компанії BLACK+DECKER призначений для роботи протягом довгого часу з мінімальним обслуговуванням. Довга задовільна робота інструменту залежить від відповідного обслуговування інструменту та регулярного його очищення.

Ваш зарядний пристрій не вимагає технічного обслуговування, лише необхідно проводити регулярне очищення.

Попередження! Перед виконанням будь-якого обслуговування необхідно витягнути батарею з інструменту. Витягніть зарядний пристрій з розетки перед очищенням.

- ◆ Регулярно очищуйте вентиляційні отвори інструменту та зарядного пристрою, використовуючи м'яку щітку або суху ганчірку.
- ◆ Регулярно очищуйте корпус мотору, використовуючи вологу ганчірку. Не використовуйте абразивні очищувачі та засоби, що містять розчинники.
- ◆ Регулярно відкривайте затискний патрон та струшуйте його, щоб видалити пил з середини.

Захист навколишнього середовища



Окреме збирання. Цей продукт не можна викидати разом зі звичайним побутовим сміттям.

Якщо якось ви вирішите, що ваш виріб фірми BLACK+DECKER має бути замінено, або він вам більше не потрібний, не викидайте його на смітник побутового сміття. Зробіть цей виріб доступним для спеціального збирання.



Окремий збір використаних виробів та упаковки дозволяє повторно переробляти та використовувати матеріали. Переробка повторно використаних матеріалів допомагає попередити забруднення навколишнього середовища та зменшує потребу в сировині.

Місцеві законодавчі акти можуть передбачати окремий збір електричного обладнання в муніципальних місцях для збору сміття або продавцями при покупці нового обладнання.

Компанія BLACK+DECKER має можливість для збору та переробки продуктів власного виробництва після закінчення їхнього терміну служби. Щоб скористатися цією послугою, поверніть виріб компанії в офіційний сервісний центр, які збирають відпрацьовані продукти за наш рахунок.

Ви можете знайти місцезнаходження найближчого до вас сервісного центру,

з'язавшись з місцевим офісом компанії BLACK+DECKER за адресою, що вказана у цих інструкціях. Крім того, список офіційних сервісних центрів компанії BLACK+DECKER з усіма подробицями нашого післяпродажного обслуговування та контактною інформацією міститься в Інтернеті за адресою:

www.2helpU.com.

Батареї



Всередині відсутні деталі, які користувач може обслуговувати самостійно.

- ◆ Наприкінці терміну служби батареї поверніть її агенту з обслуговування або на місцеву станцію переробки для переробки батареї. Не викидайте батарею разом із побутовим сміттям.

Технічні дані

		BDCDD12
Напруга	V (постійний струм)	10,8
Швидкість без навантаження	хв. ⁻¹	0-550 обертів/хв.
Макс. крутний момент	Нм	12,5/26
Найбільший діаметр виробу, що затискається в патроні	мм	1-10
Максимальна глибина свердління	мм	10/25
Метал/дерево		
Вага	кг	0,98

		90589867
Вхідна напруга	V (змінний струм)	230
Вихідна напруга	V (постійний струм)	10,8
Струм	мА	200
Приблизний час першої зарядки	Години	8

		90590287-02
Вхідна напруга	V (змінний струм)	230
Вихідна напруга	V (постійний струм)	10,8
Струм	мА	400
Приблизний час першої зарядки	Години	3 - 5

		90599854-06
Вхідна напруга	V (змінний струм)	230
Вихідна напруга	V (постійний струм)	10,8
Струм	А	1
Приблизний час першої зарядки	Години	1,5

Батарея	BL1512
Напруга	V (змінний струм) 10,8
Ємність	Ампер-годин 1,5
Тип	Літій-іонна

Рівень звукового тиску згідно з EN 60745:

Звуковий тиск (L_{pA}) 63 дБ(А), похибка (К) 3 дБ(А),
Звукова потужність (L_{WA}) 74 дБ(А), похибка (К) 3 дБ(А)

Загальні значення вібрації (векторна сума трьох векторів) згідно з EN 60745:

Свердління металу ($a_{h,D}$) <2,5 м/с², похибка (К) 1,5 м/с², Свердління без удару (a_n) <2,5 м/с², похибка (К) 1,5 м/с²

Заява про відповідність ЄС ДИРЕКТИВА ДЛЯ МЕХАНІЧНОГО ОБЛАДНАННЯ



BDCDD12 - дріль, викрутка

Компанія Black & Decker заявляє, що продукти, описані в розділі „Технічні дані“ відповідають: 2006/42/ЕС, EN 60745-1, EN 60745-2-1, EN 60745-2-2.

Ці продукти відповідають також Директиві 2004/108/ЕС (до 19/04/2016) 2014/30/EU (з 20/04/2016) і 2011/65/EU. Для отримання додаткової інформації, будь ласка, зверніться до компанії Black & Decker за наступною адресою або прочитайте інформацію на зворотній стороні цього керівництва.

Нижчепідписаний несе відповідальність за упорядкування файлу технічних характеристик та робить цю заяву від компанії Black & Decker.

Р. Лаверік (R. Laverick)
Технічний директор
Black & Decker Europe
210 Bath Road, Slough
Berkshire, SL1 3YD
Великобританія
14/07/2015

Гарантія

Компанія Black & Decker впевнена в якості своєї продукції та пропонує чудові умови гарантії. Ці гарантійні умови є додатковими та в якійсь мірі підтверджують ваші законні права. Ця гарантія є дійсною на території

країн-членів Європейського Союзу та в європейській зоні вільної торгівлі.

Якщо продукт Black & Decker стає несправним через неякісні матеріали, конструкцію або невідповідність вимогам протягом 24 місяці з дня покупки, компанія Black & Decker гарантує заміну несправних деталей, ремонт продуктів, що піддалися зносу, або заміну таких продуктів для забезпечення мінімальних незручностей для споживачів, за винятком випадків, коли:

- ◆ Продукт використовувався в професійних цілях та об'ємах;
- ◆ Продукт використовувався не за призначенням або не обслуговувався;
- ◆ Продукт зазнав механічних пошкоджень, викликаних зовнішніми предметами, речовинами або іншим впливом;
- ◆ Продукт намагалися відремонтувати особи, які не є працівниками офіційного сервісного центру або персоналом з ремонту компанії Black & Decker.

Щоб отримати гарантійне обслуговування, вам необхідно надати доказ покупки продавцеві або агенту з ремонту. Ви можете знайти місцезнаходження найближчого до Вас сервісного центру, зв'язавшись з місцевим офісом компанії Black & Decker за адресою, вказаною в цих інструкціях. Крім того, список офіційних сервісних центрів компанії Black & Decker з усіма подробицями нашого післяпродажного обслуговування та контактною інформацією міститься в Інтернеті за адресою: www.2helpU.com.

Будь ласка, відвідайте наш сайт www.blackanddecker.co.uk, щоб зареєструвати свій новий продукт BLACK+DECKER та отримувати інформацію про нові продукти та спеціальні пропозиції. Для отримання додаткової інформації про торгової марку BLACK+DECKER та наші продукти відвідайте наш сайт за адресою www.blackanddecker.co.uk.

БЛЕК ЕНД ДЕККЕР

гарантійні умови

Шановний покупцю!

1. Вітаємо Вас з покупкою високоякісного виробу компанії BLACK+DECKER та висловлюємо Вам свою вдячність за Ваш вибір.
- 1.1. Надійна робота цього виробу на протязі всього терміну експлуатації є предметом особливої турботи наших сервісних служб. У випадку виникнення будь-яких проблем в процесі експлуатації виробу ми рекомендуємо Вам звертатися лише до авторизованих сервісних організацій, адреси та телефони яких Ви зможете знайти в Гарантійному талоні або дізнатися в магазині. Наші сервісні центри – це не тільки кваліфікований ремонт, але і широкий вибір запчастин та аксесуарів.
- 1.2. При купівлі виробу вимагайте перевірки його комплекtnості та справності за Вашої присутності, наявності інструкції та заповненого Гарантійного талону на українській мові. За умови відсутності у Вас правильно заповненого Гарантійного талону ми будемо вимушені відхилити Ваші претензії щодо якості цього виробу.
- 1.3. Щоб уникнути всіх непорозумінь наполегливо просимо Вас перед початком роботи з виробом уважно ознайомитись з інструкцією щодо його експлуатації.
- 1.4. Звертаємо Вашу увагу на виключно побутове призначення цього виробу.
2. Правовою основою даних гарантійних умов є діюче Законодавство та, зокрема, Закон "Про захист прав споживачів".
3. Гарантійний термін на даний виріб складає 24 місяці та починається з дня продажу через роздрібну торгову мережу. У випадку усунення недоліків виробу гарантійний термін подовжується на період, протягом якого виріб не використовувався.
4. Термін служби виробу - 5 років (мінімальний, встановлений у відповідності до Закону "Про захист прав споживачів").
5. Наші гарантійні зобов'язання поширюються тільки на несправності, виявлені протягом гарантійного терміну та обумовлені виробничими та конструктивними факторами.
6. Гарантійні зобов'язання не поширюються:
 - 6.1. На несправності виробу, що виникли в результаті:
 - 6.1.1. Недотримання користувачем вказівок інструкції з експлуатації виробу.
 - 6.1.2. Механічних пошкоджень, викликаних зовнішнім ударним або іншим впливом.
 - 6.1.3. Використання виробу в професійних цілях та об'ємах, в комерційних цілях.
 - 6.1.4. Застосування виробу не за призначенням.
 - 6.1.5. Стихійного лиха.

- 6.1.6. Несприятливому атмосферному та інших зовнішніх впливах на виріб, таких як дощ, сніг, підвищена вологість, нагрів, агресивні середовища, невідповідність параметрів електромережі параметрам, вказаним на інструменті.
- 6.1.7. Використання аксесуарів, витратних матеріалів та запчастин, які не рекомендовані або не схвалені виробником.
- 6.1.8. Проникнення всередину інструменту сторонніх предметів, комах, матеріалів або речовин, що не є відходами, які супроводжують використання інструменту за призначенням, наприклад, стружки, опилки та ін.
- 6.2. На інструменти, що були відкриті, піддані ремонту або модифікації поза уповноваженим сервісним центром.
- 6.3. На приналежності, запчастини, що вийшли з ладу внаслідок нормального зносу, та витратні матеріали, такі як, приводні ремені, вугільні щітки, ножі, та ін.
- 6.4. На несправності, які виникли в результаті перевантаження інструменту, що призвело до виходу з ладу електродвигуна або інших вузлів та деталей. До безумовних ознак перевантаження виробу належать, зокрема: поява кольорів мінливості, деформація або оплавлення деталей та вузлів виробу, потемніння або обуглювання ізоляції дротів електродвигуна під впливом високої температури.



Виробник:

"Stanley Black & Decker Deutschland GmbH" Black-&-Decker Str.40, D-65510 Idstein, Німеччина

Kullanım amacı

BLACK+DECKER BDCDD12 - Matkap, vida takma/sökme uygulamaları ve ahşap, metal ve plastik delme işlemleri için tasarlanmıştır. Bu alet sadece hafif hizmet ve hobi kullanımına yöneliktir.

Güvenlik talimatları

Genel elektrikli alet güvenlik talimatları



Uyarı! Bütün güvenlik uyarılarını ve talimatlarını mutlaka okuyun. Aşağıda listelenen uyarı ve talimatlara uyulmaması elektrik şoku, yangın ve/veya ciddi boyutta yaralanmalara neden olabilir.

Bütün uyarı ve güvenlik talimatlarını ileride bakmak üzere muhafaza edin. Aşağıda yer alan uyarılardaki "elektrikli alet" terimi şebeke elektriğiyle (kablolu) veya akü/pille (şarjlı) çalışan elektrikli aletinizi ifade etmektedir.

1. Çalışma alanının güvenliği

- Çalışma alanınızı temiz ve aydınlık tutun.** Karışık ve karanlık alanlar kazaya davetiye çıkarır.
- Elektrikli aletleri, yanıcı sıvılar, gazlar ve tozların bulunduğu yerler gibi yanıcı ortamlarda çalıştırmayın.** Elektrikli aletler, toz veya dumanları ateşleyebilecek kıvılcımlar çıkarır.
- Bir elektrikli aleti çalıştırırken çocuklardan ve etraftaki kişilerden uzak tutun.** Dikkatinizi dağıtıcı şeyler kontrolü kaybetmenize neden olabilir.

2. Elektrik güvenliği

- Elektrikli aletlerin fişleri prizlere uygun olmalıdır. Fiş üzerinde kesinlikle hiçbir değişiklik yapmayın. Topraklı elektrikli aletlerde hiçbir adaptör fişi kullanmayın.** Değiştirilmemiş fişler ve uygun prizler elektrik çarpması riskini azaltacaktır.
- Borular, radyatörler, mutfak ocakları ve buz dolapları gibi topraklanmış yüzeylerle vücudunuzun temas etmesini engelleyin.** Vücudunuzun topraklanması halinde yüksek bir elektrik çarpması riski vardır.
- Elektrikli aletleri yağmura maruz bırakmayın veya ıslatmayın.** Elektrikli alete su girmesi elektrik çarpması riskini arttıracaktır.
- Elektrik kablosunu uygun olmayan amaçlarla kullanmayın. Elektrikli aleti kesinlikle kablosundan tutarak taşımayın,**

çekmeyin veya prizden çıkartmayın.

Kabloyu sıcaktan, yağdan, keskin kenarlardan veya hareketli parçalardan uzak tutun. Hasarlı veya dolaşmış kablolar elektrik çarpması riskini artırır.

- Elektrikli bir aleti açık havada çalıştırıyorsanız, açık havada kullanıma uygun bir uzatma kablosu kullanın.** Açık havada kullanıma uygun bir kablolu kullanılması elektrik çarpması riskini azaltır.
 - Elektrikli aletin nemli ortamda çalıştırılması kaçınılmazsa, bir artık akım cihazı (RCD) korumalı besleme kullanın.** RCD kullanılması elektrik şoku riskini azaltır.
- #### 3. Kişisel güvenlik
- Elektrikli bir aleti kullanırken her zaman dikkatli olun, yaptığınız işe yoğunlaşın ve sağduyulu davranın. Elektrikli bir aleti yorgunken veya ilaç ya da alkolün etkisi altındayken kullanmayın.** Elektrikli aletleri kullanırken bir anlık dikkatsizlik ciddi kişisel yaralanmayla sonuçlanabilir.
 - Kişisel koruyucu ekipman kullanın. Daima koruyucu gözlük takın.** Koşullara uygun toz maskesi, kaymayan güvenlik ayakkabıları, baret veya kulaklık gibi koruyucu donanımların kullanılması kişisel yaralanmaları azaltacaktır.
 - İstem dışı çalıştırılmasını önleyin. Cihazı güç kaynağına ve/veya aküye bağlamadan, yerden kaldırmadan veya taşımadan önce düğmenin kapalı konumda olduğundan emin olun.** Aleti, parmağınız tetik üzerinde bulunacak şekilde taşımak veya açık durumdaki elektrikli aletleri elektrik şebekesine bağlamak kazaya davetiye çıkarır.
 - Elektrikli aleti açmadan önce tüm ayarlama anahtarlarını çıkartın.** Elektrikli aletin hareketli bir parçasına takılı kalmış bir anahtar kişisel yaralanmaya neden olabilir.
 - Ulaşmakta zorlandığınız yerlerde kullanmayın. Daima sağlam ve dengeli basın.** Bu, beklenmedik durumlarda elektrikli aletin daha iyi kontrol edilmesine olanak tanır.
 - Uygun şekilde giyinin. Bol elbiseler giymeyin ve takı takmayın. Saçınızı, elbiselerinizi ve eldivenlerinizi hareketli parçalardan uzak tutun.** Bol elbiseler ve takılar veya uzun saç hareketli parçalara takılabilir.
 - Toz çekme ve toplama araç-gereçlerinin bağlanması için cihazlar verilmesi halinde, bunların uygun biçimde bağlanması ve**

kullanılmasını sağlayın. Bu cihazların kullanılması tozla ilgili tehlikeleri azaltabilir.

4. **Elektrikli aletlerin kullanımı ve bakımı**
 - a. **Elektrikli aleti zorlamayın. Uygulanamaz için doğru elektrikli aleti kullanın.** Doğru elektrikli alet, belirlendiği kapasite ayarında kullanıldığında daha iyi ve güvenli çalışacaktır.
 - b. **Tetik açılmasını ve kapanmasını sağlamıyorsa elektrikli aleti kullanmayın.** Düğmeyle kontrol edilemeyen tüm elektrikli aletler tehlikelidir ve tamir edilmesi gerekmektedir.
 - c. **Herhangi bir ayarlama, aksesuar değişimi veya elektrikli aletlerin saklanması öncesinde fişi güç kaynağından çekin ve/veya aküyü aletten ayırın.** Bu tür önleyici güvenlik tedbirleri elektrikli aletin istem dışı çalıştırılma riskini azaltacaktır.
 - d. **Elektrikli aleti, çocukların ulaşamayacağı yerlerde saklayın ve elektrikli aleti kullanmayı veya bu talimatları bilmeyen kişilerin elektrikli aleti kullanmasına izin vermeyin.** Elektrikli aletler, eğitimsiz kullanıcıların elinde tehlikelidir.
 - e. **Elektrikli aletlerin bakımını yapın. Hareketli parçalardaki hizalama hatalarını ve tutuklukları, parçalardaki kırılmalar ve elektrikli aletin çalışmasını etkileyebilecek tüm diğer koşulları kontrol edin. Hasarlı ise, elektrikli aleti kullanmadan önce tamir ettirin.** Kazaların çoğu, elektrikli aletlerin bakımının yeterli şekilde yapılmamasından kaynaklanır.
 - f. **Kesim aletlerini keskin ve temiz tutun.** Bakımı uygun şekilde yapılmış keskin kesim uçlu kesim aletlerinin sıkışma ihtimali daha düşüktür ve kontrol edilmesi daha kolaydır.
 - g. **Elektrikli aleti, aksesuarlarını ve aletin diğer parçalarını kullanırken bu talimatlara mutlaka uyun ve çalışma ortamının koşullarını ve yapılacak işin ne olduğunu göz önünde bulundurun.** Elektrikli aletin öngörülen işlemler dışında kullanılması tehlikeli durumlara neden olabilir.
5. **Akü kullanımı ve bakımı**
 - a. **Yalnızca üretici tarafından belirtilen cihazla şarj edin.** Bir akü için uygun olan şarj cihazı başka bir akü ile kullanıldığında yangın tehlikesi yaratabilir.
 - b. **Elektrikli aletleri yalnızca özel olarak tanımlanmış akü paketleriyle kullanın.**

Herhangi başka bir akünün kullanımı yaralanma ve yangın tehlikesi yaratabilir.

- c. **Akü kullanılmadığında, iki kutbu birbirine temas ettirebilecek ataş, bozuk para, anahtar, çivi, vida ve diğer küçük metal nesnelere uzak tutun.** Akü kutuplarının kısa devre yaptırılması yangın veya yangına neden olabilir.
 - d. **Kötü şartlar altında, akü sıvı sızdırabilir, temastan kaçının. Yanlışlıkla temas halinde, suyla yıkayın. Sıvı gözlere temas ederse, ayrıca doktora da başvurun.** Aküden sızan sıvı tahriş veya yanıklara neden olabilir.
6. **Servis**
 - a. **Elektrikli aletinizi, sadece orijinal yedek parçaların kullanıldığı yetkili servise tamir ettirin.** Bu, elektrikli aletin güvenliğinin muhafaza edilmesini sağlayacaktır.

Elektrikli aletler için ek güvenlik talimatları



Uyarı! Matkaplar için ek güvenlik uyarıları

- ◆ **Aletle birlikte verilmiş olan yardımcı tutma kollarını kullanın.** Kontrol kaybı yaralanmaya neden olabilir.
- ◆ **Kesim aksesuarının saklı kablolarla temas edebileceği türden bir iş yaparken elektrikli aleti yalıtımlı tutma yüzeylerinden tutun.** Kesici aletin, "elektrik akımı" bulunan kablolarla teması halinde "akım", elektrikli aletin iletken metal parçaları üzerinden operatöre iletilerek elektrik çarpmasına yol açabilir.
- ◆ **Sabitleyicinin, gömülü elektrik kablolarına temas etmesine yol açabileceği durumlarda aleti izole edilmiş sapsızlardan tutun.** Sabitleyicilerin elektrik akımı bulunan kablolarla teması halinde akım elektrikli aletin iletken metal parçaları üzerinden operatöre iletilerek elektrik çarpmasına yol açabilir.
- ◆ **Üzerinde çalıştığınız parçayı sabitlemek ve desteklemek için kelepçeler veya başka pratik yöntemler kullanın.** İş parçasını elle tutmak veya vücudunuza dayamak dengesizliğe ve kontrol kaybına neden olabilir.
- ◆ **Duvar, zemin veya tavanda delik açmadan önce kablo ve boruların konumunu kontrol edin.**
- ◆ **Delme işleminin hemen ardından matkap ucuna dokunmaktan kaçının; sıcak olabilir.**

- ◆ Kullanım amacı bu kullanma kılavuzunda anlatılmıştır. Herhangi bir aksesuarın veya bağlantının ya da işlemin, bu kılavuzda tavsiye edilen şekilden başka bir şekilde kullanılması şahısların yaralanmalarına ve/veya mal kaybına yol açabilir.

Diğer kişilerin güvenliği

- ◆ Bu alet fiziksel ve zihinsel kapasitesinin yanı sıra algılama gücü azalmış olan veya yeterince deneyim ve bilgisi bulunmayan kişiler (çocuklar dahil) tarafından kullanılmak üzere üretilmemiştir. Bu tür kişiler aleti ancak güvenliklerinden sorumlu bir kişi tarafından cihazın kullanımıyla ilgili talimatların verilmesi veya sürekli kontrol altında tutulması durumunda kullanabilir.
- ◆ Cihazla oynamadıklarından emin olmak için çocuklar gözetim altında tutulmalıdır.

Kalıcı riskler

Alet kullanılırken, ekteki güvenlik uyarılarında bulunmayan ek kalıcı riskler oluşabilir. Bu riskler, yanlış kullanım, uzun süreli kullanım vb. sonucu oluşabilir.

İlgili güvenlik talimatlarına uyulması ve güvenlik aletlerinin kullanılmasında halinde bile bazı kalıcı riskler engellenemeyebilir. Bunlar aşağıdakileri içermektedir:

- ◆ Dönen/hareket eden parçalara dokunarak yaralanmalar.
- ◆ Parça, bıçak veya aksesuar değiştirirken oluşan yaralanmalar.
- ◆ Aletin uzun süreli kullanılmasıyla oluşan yaralanmalar. Herhangi bir alet uzun süre kullanıldığında düzenli aralar vermeye özen gösterin.
- ◆ İşitme kaybı.
- ◆ Alet kullanılırken oluşan tozun solunmasıyla ortaya çıkan sağlık sorunları (örneğin: ahşap (özellikle meşe), ağartıcı ve MDF ile çalışırken).

Titreşim

Teknik veriler ve uygunluk beyanati içerisinde belirtilen titreşim emisyon değerleri EN 60745 tarafından belirlenen standart bir test yöntemine uygun olarak ölçülmektedir ve diğer bir aletle karşılaştırma yaparken kullanılabilir. Beyan edilen titreşim emisyon değeri aynı zamanda maruz kalmanın önceden değerlendirilmesinde de kullanılabilir.

Uyarı! Elektrikli aletin mevcut kullanımı sırasındaki titreşim emisyon değeri, aletin kullanım yöntemine bağlı olarak, beyan edilen değere göre farklılık sergileyebilir. Titreşim düzeyi belirlenen seviyenin üzerinde artış gösterebilir.

İş yerinde düzenli olarak elektrikli alet kullanan çalışanları korumak amacıyla 2002/44/EC tarafından getirilen elektrik güvenliği önlemlerini belirlemek üzere titreşime maruz kalmayı değerlendirirken, çalışma döngüsü içerisinde örneğin aletin kapalı olduğu ve aktif durumda olmasının yanı sıra boşta çalıştığı zamanlar gibi, bütün zaman dilimleri dahil olmak üzere mevcut kullanım durumu ve aletin kullanım şekli göz önünde bulundurularak değerlendirilmelidir.

Alet üzerindeki etiketler

Alet üzerinde tarih koduyla birlikte aşağıdaki semboller gösterilir:



Uyarı! Yaralanma riskini en aza indirmek için kullanıcı kullanım talimatlarını mutlaka okumalıdır.

Aküler ve şarj cihazları (Aletle birlikte verilmez) için ek güvenlik talimatları

Aküler

- ◆ Kesinlikle, hiçbir nedenle açmaya çalışmayın.
- ◆ Aküleri suya maruz bırakmayın.
- ◆ Sıcaklığın 40 °C'yi aşabileceği yerlerde saklamayın.
- ◆ Sadece 10 °C ila 40 °C arasındaki ortam sıcaklıklarında şarj edin.
- ◆ Sadece aletle birlikte verilen şarj cihazını kullanarak şarj edin.
- ◆ Aküleri atarken "Çevrenin korunması" başlıklı bölümdeki talimatlara uyun.



Hasarlı aküleri şarj etmeye çalışmayın.

Şarj cihazları

- ◆ BLACK+DECKER şarj cihazınızı, yalnızca aletle birlikte verilen aküyü şarj etmek için kullanın. Diğer aküler patlayarak yaralanmanıza veya hasar meydana gelmesine yol açabilir.
- ◆ Şarj edilme özelliği olmayan aküleri kesinlikle şarj etmeye çalışmayın.
- ◆ Kusurlu kabloları hemen değiştirin.
- ◆ Şarj cihazını suya maruz bırakmayın.
- ◆ Şarj cihazını açmayın.
- ◆ Şarj cihazını delmeyin.



Şarj cihazı sadece dahili kullanım içindir.



Kullanmadan önce kullanım kılavuzunu okuyun.

Elektrik güvenliği



Şarj cihazınız çift yalıtımlıdır bu yüzden hiçbir topraklama kablosuna gerek yoktur. Her zaman şebeke geriliminin aletin üretim etiketinde belirlenmiş değerlere uyup uymadığını kontrol edin. Şarj cihazı ünitesini kesinlikle normal bir elektrik fişi ile değiştirmeye kalkışmayın.

- ◆ Elektrik kablosu hasarlı ise, bir tehlike oluşmasını önlemek için üretici ya da yetkili BLACK+DECKER Servis Merkezi tarafından değiştirilmelidir.

Özellikler

Bu alet, aşağıdaki özelliklerin bir kısmını veya tümünü içermektedir.

1. Değişken hız anahtarı
2. İleri/geri sürgüsü
3. Tork ayar rakoru
4. Anahtarsız mandren
5. Akü
6. Akü serbest bırakma düğmesi
7. Şarj cihazı

Montaj

Kullanım

Uyarı! Aletin kendi hızında çalışmasına izin verin. Aşırı yüklenmeyin.

Aküyü şarj etme (şkl. A)

Akünün, ilk kullanımdan önce ve daha önce kolayca yapılan işler için yeterli güç üretmediği hallerde şarj edilmesi gereklidir. Akü şarj sırasında ısınabilir; bu normaldir ve bir sorun olduğu anlamına gelmez.

Uyarı! Aküyü, 10 °C'nin altında veya 40 °C'nin üzerindeki sıcaklıklarda şarj etmeyin. Tavsiye edilen şarj sıcaklığı: yaklaşık 24 °C.

Not: Şarj cihazı hücre sıcaklığı yaklaşık olarak 10 °C'nin altında veya 40 °C'nin üzerindeyse pili şarj etmez. Pil şarj cihazının içinde bırakılmalıdır ve hücre sıcaklığı ısındığında ya da soğuduğunda şarj cihazı otomatik olarak şarj etmeye başlayacaktır.

- ◆ Şarj cihazını (8) 230 Volt 50 Hz standart bir elektrik prizine bağlayın.

- ◆ Akü takımını şekil A'da gösterilen şekilde şarj cihazının içine kaydırın.
- ◆ Akünün şarj edildiğini gösteren yeşil LED (9) yanıp sönecektir.
- ◆ Yeşil LED'in sürekli yanması şarjın tamamlandığını gösterir. Akü takımı tamamen şarj olmuştur, şimdi kullanılabilir ya da şarj cihazı üzerinde bırakılabilir.

Uyarı! Aleti, şarj cihazına bağlı halde kullanmayın.

Uyarı! Yangın tehlikesi. Şarj cihazını aletten çıkarırken, ilk önce şarj cihazını prizden çıkardığınızdan, daha sonra şarj cihazı kablosunu aletten çıkardığınızdan emin olun.

Akü takımını alete takma ve aletten çıkarma (şkl. B)

Uyarı! Anahtarın etkinleşmesini önlemek için, aküyü çıkarmadan ya da takmadan kilitleme düğmesinin devrede olduğundan emin olun. Akü takımını takmak için:

- ◆ Bir klik sesi duyulana kadar akü takımını aletin içine yerleştirin (şkl. B).

Aküyü aletten çıkarma (şkl. C)

- ◆ Akü serbest bırakma düğmesine (şkl. C)'de gösterilen şekilde basın ve akü takımını aletten çıkarın.

Kullanım Talimatları

Tetik düğmesi ve geri alma düğmesi (şkl. D)

- ◆ Matkap tetik düğmesi (1) çekilerek ve serbest bırakılarak açılır ve kapanır. Tetiğe ne kadar fazla basılırsa, matkabin çalışma hızı o kadar artar
- ◆ Bir ileri/geri kontrol düğmesi (2) aletin yönünü belirler ve aynı zamanda kilitleme düğmesi olarak görev yapar.
- ◆ İleri dönüşü seçmek için, tetik düğmesini bırakın ve ileri/geri kontrol düğmesini sola bastırın.
- ◆ Geriyi seçmek için, ileri/ geri kontrol düğmesine ters yönde basın.
- ◆ Aleti kilitlemek için ileri/geri sürgüsünü orta konuma getirin.

Not! Kontrol düğmesinin ortadaki konumu aleti kapalı konumda kilitlet. Kontrol düğmesinin konumunu değiştirirken, tetiğin serbest olduğundan emin olun.

Tork kontrolü (şkl. E)

Bu alet, çalışma modunun seçilmesi ve vida sıkma torkunun ayarlanması için bir bilezikle (3)

donatılmıştır. Büyük vidalar ve üzerinde çalışılan sert malzemeler küçük vidalara ve yumuşak malzemelere göre daha yüksek bir tork ayarı gerektirir.

- ◆ Delme işlemleri için, bileziği delme konumu sembolüne getirin **2**.
- ◆ Vida takma ve sökmeye işlemleri için bileziği istediğiniz konuma getirin. Henüz uygun ayarı bilmiyorsanız, aşağıda belirtildiği şekilde ilerleyin:
 - ◆ Bileziği en düşük tork ayarına getirin.
 - ◆ İlk vidayı sıkın.
 - ◆ İstenen sonuç elde edilmeden önce kavrama mandallarına ulaşırsa, bilezik ayarını arttırın ve sıkmaya devam edin. Doğru ayara ulaşıncaya kadar tekrarlayın. Kalan vidalar için de bu ayarı kullanın.

Anahtarsız mandren (şkl. F)

Uyarı! Anahtarın etkinleşmesini önlemek için, aksesuarları takmadan ya da çıkarmadan önce kilitleme düğmesinin devrede olduğundan emin olun. Bir matkap ucu veya başka bir aksesuar takmak için:

- ◆ Bir elinizle mandrenin arka yarısını (10) kavrayın ve diğer elinizi ön yarısı (11) mandren ucundan görünen şekilde saat yönünün tersine döndürmek için kullanın.
- ◆ Matkap ucunu veya diğer aksesuarı mandrene yerleştirin ve mandrenin arka yarısını sabit bir şekilde tutarak ve mandren ucundan görünen şekilde ön kısmı saat yönünün tersine döndürerek sıkın.

Uyarı! Mandrenin ön kısmını tutup aleti çevirerek matkap ucu (veya başka herhangi bir aksesuar) takmayı denemeyin. Aksesuarları değiştiren mandren hasarına veya yaralanmaya neden olabilir.

Matkap/tornavida

- ◆ İleri/geri sürgüyü (2) kullanarak ileri veya geri döndürmeyi seçin.
- ◆ Aleti açmak için, değişken hız ayarlı tetiği (1) basın. Aletin hızı, düğmeye ne kadar bastığınıza bağlıdır.
- ◆ Aleti kapamak için, değişken hız ayarlı tetiği bırakın.

Yararlı tavsiyeler

Matkap

- ◆ Daima matkap ucuna düz bir çizgide hafif bir baskı uygulayın.

- ◆ Matkap ucu, üzerinde çalıştığınız parçanın öbür yüzünden çıkmadan hemen önce alet üzerindeki baskıyı azaltın.
- ◆ Parçalanabilecek parçaları desteklemek için ağaç bir takoz kullanın.
- ◆ Ahşapta büyük çaplı delikler delerken geniş ağızlı uç kullanın.
- ◆ Metali delerken HSS matkap uçları kullanın.
- ◆ Beton delerken beton uçları kullanın.
- ◆ Döküm demir ve pirinç dışındaki metalleri delerken bir yağlayıcı kullanın.
- ◆ Doğruluğu artırmak için, delinecek yerin ortasına bir merkez zımbası ile çentik atın.

Tornavida

- ◆ Daima doğru tipte ve boyutta tornavida ucu takın.
- ◆ Vidaları sıkırmakta zorlanıyorsanız, yağlayıcı olarak az miktarda deterjan veya sabun kullanmayı deneyin.
- ◆ Aleti ve tornavida ucunu daima vidaya dik bir çizgide tutun.

Sorun Giderme

Sorun	Olası neden	Olası çözüm
Ünite çalışmıyor.	Akü takımı şarjlı değil.	Akü takımı şarj gerekliliklerini kontrol edin
Akü takımı şarj olmuyor.	Şarj cihazı takılı değil.	Şarj cihazını çalışır durumda bir prize takın.
	Ortam hava sıcaklığı çok sıcak veya çok soğuk.	Şarj cihazını ve akü takımını 40 derece F (45 °C) üzerinde veya 105 derece F (+40,5 °C) altında bir ortam hava sıcaklığına taşıyın.
Ünite aniden kapanıyor.	Akü takımı maksimum ısı limitine ulaştı.	Akü takımını soğumaya bırakın.
	Şarjı bitti. (Akü takımının ömrünü en üst seviyeye çıkarmak için şarjı bittiğinde aniden kapanacak şekilde tasarlanmıştır)	Şarj cihazının üzerine yerleştirin ve şarj olmaya bırakın.

Bakım

BLACK+DECKER aletiniz en az bakımla uzun bir süre çalışacak şekilde tasarlanmıştır. Aletin uzun süre boyunca verimli bir şekilde çalışması, uygun bakımın ve düzenli temizliğin yapılmasına bağlıdır.

Şarj cihazınız, düzenli temizlik dışında herhangi bir bakım gerektirmemektedir.

Uyarı! Alet üzerinde herhangi bir bakım yapmadan önce aküyü aletten çıkartın. Şarj cihazınızı temizlemeden önce fişten çekin.

- ◆ Aletinizdeki ve şarj cihazındaki havalandırma deliklerini yumuşak bir fırça veya kuru bir bezle düzenli olarak temizleyin.
- ◆ Motor muhafazasını nemli bir bezle düzenli olarak temizleyin. Aşındırıcı veya çözücü madde içeren temizleyiciler kullanmayın.
- ◆ Düzenli aralıklarla mandreni açın ve hafifçe vurarak iç kısmındaki tozların dökülmesini sağlayın.

Çevrenin korunması



Ayrı toplama. Bu ürün normal evsel atıklarla birlikte imha edilmemelidir.

BLACK+DECKER ürününüzün değiştirilmesi gerektiğini düşünmeniz veya artık kullanılamaz durumda olması halinde, evsel atıklarla birlikte atmayın. Bu ürünü ayrı toplama için ayırın.



Kullanılmış ürünlerin ve ambalajların ayrı olarak toplanması bu maddelerin geri dönüşüme sokularak yeniden kullanılmasına olanak tanır. Geri dönüşümlü maddelerin tekrar kullanılması çevre kirliliğinin önlenmesine yardımcı olur ve ham madde ihtiyacını azaltır.

Yerel yönetmelikler, elektrikli ürünlerin evlerden toplanıp belediye atık tesislerine aktarılması veya yeni bir ürün satın alırken perakende satıcı tarafından toplanması yönünde hükümler içerebilir.

BLACK+DECKER, hizmet ömrünün sonuna ulaşan BLACK+DECKER ürünlerinin toplanması ve geri dönüşüme sokulması için hizmet sunmaktadır. Bu hizmetin avantajlarından faydalanmak için, lütfen, ürününüzü bizim adresimize teslim edecek herhangi bir yetkili servise iade edin.

Bu kılavuzda belirtilmiş olan adresten yerel BLACK+DECKER ofisi ile iletişim kurarak size en yakın yetkili servisinizin yerini öğrenebilirsiniz. Alternatif olarak, yetkili BLACK+DECKER servislerinin listesi, satış sonrası hizmetlerimizle ilgili tüm bilgiler ve temas bilgilerine Internet üzerinden erişebilirsiniz: www.2helpU.com.

Aküler



İçinde kullanıcının servis yapabileceği herhangi bir parça yoktur.

- ◆ Ürününüzün ömrü bittiğinde, akünün geri dönüştürülmesi için ünitenin tamamını yetkili servisimize ya da bir yerel geri dönüşüm istasyonuna götürün. Üniteyi evsel atıklarla birlikte atmayın.

Teknik veriler

	BDCDD12
Voltaj	V_{DC} 10,8
Yüksüz hız	Min^{-1} 0-550 dev/dak
Maks. tork	Nm 12,5/26
Mandren kapasitesi	mm 1-10
Maks. Delme kapasitesi	
Çelik/ahşap	mm 10/25
Ağırlık	kg 0,98

Şarj cihazı	90589867
Giriş voltajı	V_{AC} 230
Çıkış Voltajı	V_{DC} 10,8
Akım	mA 200
Yaklaşık şarj süresi	Saat 8

Şarj Cihazı	90590287-02
Giriş voltajı	V_{AC} 230
Çıkış voltajı	V_{DC} 10,8
Akım	mA 400
Yaklaşık şarj süresi	Saat 3 - 5

Şarj Cihazı	90599854-06
Giriş voltajı	V_{AC} 230
Çıkış voltajı	V_{DC} 10,8
Akım	Amp 1
Yaklaşık şarj süresi	Saat 1,5

Akü	BL1512
Voltaj	V_{AC} 10,8
Kapasite	Ah 1,5
Tip	Li-Ion

EN 60745'e göre ses basıncı düzeyi:

Ses basıncı (L_{pA}) 63 dB(A), belirsizlik (K) 3 dB(A),
Ses gücü (L_{WA}) 74 dB(A), belirsizlik (K) 3 dB(A)

EN 60745'e uygun olarak titreşim toplam değerleri (triaks vektör toplamı):

Metal delme ($a_{h,D}$) <2,5 m/s², belirsizlik (K) 1,5 m/s²,
Darbesiz tornavida ($a_{h,v}$) <2,5 m/s², belirsizlik (K) 1,5 m/s²

AT uygunluk beyanati MAKİNE YÖNETMELİĞİ



BDCDD12 - Matkap, Tornavida

Black & Decker, "teknik veriler" altında tanımlanan bu ürünlerin aşağıdakilere uygun olduğunu beyan eder: 2006/42/EC, EN 60745-1, EN 60745-2-1, EN 60745-2-2

Bu ürün aynı zamanda Direktif 2004/108/EC (19/04/2016'ya kadar) 2014/30/EU (20/04/2016'dan itibaren) ve 2011/65/EU ile uyumludur. Bu konuda daha ayrıntılı bilgi için, lütfen aşağıdaki adresi kullanarak Black & Decker ile temas kurun ve kılavuzun arkasına bakın.

Teknik dosyanın hazırlanmasından aşağıda imzası bulunan kişiler sorumludur ve ilgili kişi bu bildirim Black & Decker adına yapmaktadır.

R. Laverick
Mühendislik Müdürü
Black & Decker Europe
210 Bath Road, Slough
Berkshire, SL1 3YD
İngiltere
14/07/2015

Garanti

Black & Decker, ürün kalitesine güvenir ve çok kapsamlı bir garanti sunar. Bu garanti bildirim yasal haklarınıza bir ek olup bunları hiçbir şekilde etkilemez. Garanti, Avrupa Birliği Üyesi Ülkeler ve Avrupa Serbest Ticaret Bölgesi alanlarında geçerlidir.

Black & Decker ürünü yanlış malzeme, işçilik hatası ya da uyum eksikliği nedeniyle arızalanırsa, satın alma tarihini izleyen 24 ay içinde Black & Decker arızalı parçaları değiştireceğini, yıpranmış veya hasar görmüş ürünleri onaracağını ya da bu gibi ürünlerin müşteriye zora sokmaması amacıyla değiştireceğini garanti etse de, şu koşullar garanti kapsamı dışındadır:

- ◆ Ürün ticari, mesleki veya kiralama amacıyla kullanılmışsa;
- ◆ Ürün yanlış kullanıma ve ihmale tabi olmuşsa;
- ◆ Üründe yabancı nesnelere, maddeler veya kazalar nedeniyle süregelen arıza varsa;
- ◆ Yetkili onarım temsilcileri veya Black & Decker servis çalışanları dışında kişiler tarafından onarım yapılmışsa.

Garanti hakkını kazanmak için satın alma belgenizi satıcıya veya yetkili onarım temsilcisine göndermeniz gerekir. Bu kılavuzda belirtilmiş olan adresten yerel Black & Decker ofisi ile iletişim kurarak size en yakın yetkili servisinizin yerini öğrenebilirsiniz. Alternatif olarak, yetkili Black & Decker servislerinin listesi, satış sonrası hizmetlerimizle ilgili tüm bilgiler ve temas bilgilerine İnternet üzerinden erişebilirsiniz: www.2helpU.com.

Yeni BLACK+DECKER ürününüzü kaydettirmek, yeni ürünler ve özel teklifler hakkında sürekli güncel bilgi almak üzere www.blackanddecker.co.uk adresindeki İnternet sitemizi ziyaret edin. BLACK+DECKER markası ve ürün yelpazemiz hakkında daha fazla bilgiyi www.blackanddecker.co.uk adresinde bulabilirsiniz.

Şehir	Yetkili Servis	Adres	Telefon
1 Adana	Emin Elektrik Bobinaj	Kızılay Cad. 9 Sok. No: 9/D	0322 351 80 46
2 Afyon	Emek Motor	Karaman Mah. Gazlı Göl Cad. No: 15	0272 212 11 14
3 Ağr	Tamgüç Bobinaj	Kağızman Cad. No: 42	0472 215 70 41
4 Amasya	Akotec Ticaret	Yeniyoğ Cad. No: 85	0358 218 71 19
5 Ankara	Orhan Bobinaj	Yalınc Sok. No: 17 Site1er	0312 350 95 29
6 Ankara	Orhan Bobinaj Şube	41. Sok. No: 39 Ostim	0312 385 92 92
7 Ankara	Yiğit Bobinaj	668. Sok. No: 8 Eminel Koop. İvedik Ostim	0312 395 05 37
8 Ankara	Başak Elektrik	Ahievran Cad. 36. sok. No: 2 Ostim	0312 386 20 84
9 Antalya	E. B. A Elektrik	San. Sit. 682. Sok No: 38	0242 345 36 22
10 Antalya	Yaşar Bobinaj	Aşağı Pazarcı Mah. San. Girişi No: 19 Manavgat	0242 742 44 07
11 Antalya	Uslu Bobinaj	G. Pınarı Mah. Oba Yolu Üzeri no: 27/C Alanya	0242 511 57 01
12 Aydın	Tacıroğlu Kaya Bobinaj	1.San. Sit. Üst San. Cad. 2. Sok. No: 31/A	0256 212 70 48
13 Aydın	Saydam Motor	Küçük San. Sit. Çubukçu Sok. No: 2/B Söke	0256 512 81 91
14 Aydın	Özgür Bobinaj	Kuşadası San. Sit. J Blok no:13 Kuşadası	0256 622 1373
15 Aydın	Ege Bobinaj	Yeni Mah Atatürk Bul. No:206/E Didim	0256 811 05 95
16 Balıkesir	Tezger Bobinaj	Yeni San. Sit. Cumhuriyet Cad. 198/A	0266 246 23 01
17 Balıkesir	Küre Bobinaj	Atatürk Cad. No: 104 Bandırma	0266 718 46 79
18 Batman	Topız Bobinaj	Cumhuriyet Cad. 1512 Sok. No: 50	0488 214 87 70
19 Bolu	Kılıççı Ticaret	Aşağı Soku San. Sit. 37.Blok No:16	0374 215 43 64
20 Bursa	Wokart Ltd. Şti.	Gazlıca Cad. Eriklî Bahçe Sok. No: 7/B	0224 254 48 75
21 Çanakkale	Kısacık Bobinaj	Namık Kemal Mah. Kaynak Sok. No: 41	0286 217 96 67
22 Çanakkale	Övalı Bobinaj	Hamdiye Mah. İstiklal Cad. No: 160 Biga	0286 316 49 66
23 Çorum	Emek Bobinaj	Küçük San. Sit. 23. Cad No: 5/C	0364 234 68 84
24 Denizli	Örster Bobinaj	Sedef Çarşısı 9/10	0258 261 42 74
25 Diyarbakır	Çetsan Elektrik	San. Sit. Karakol Sok. No: 1	0412 237 29 04
26 Düzce	Yıldız Makina	Burhanıye Mah. Gen. Kazım Sok. No: 10	0380 514 70 56
27 Edirne	Efe Bobinaj	Küçük San. Sit. 22. Blok	0284 225 35 73
28 Edirne	Demir Bobinaj	San. Sit. 7. Blok No: 3 Keşan	0284 714 38 26
29 Elazığ	Kalender Elektrik Bobinaj	San. Sit. 11. Sok No: 46	0424 224 85 01
30 Erzurum	Ümit Elektrik Makina	San. Çarşısı 770 Sok. No: 71	0446 224 08 01
31 Erzurum	Bursan Bobinaj	San. Sit. 5. Blok No: 135	0442 242 77 28
32 Eskişehir	Escom Elektronik	Kırmızı Toprak Mah. Ali Fuat Güven Cad. No 31/A	0222 224 15 30
33 Gaziantep	Eser Bobinaj	K.S.S.A Blok 11. Cad.25. Ada No: 55 Ş.Kamil	0342 235 30 84
34 Gaziantep	Karashaşin Bobinaj	İsmet Paşa Mah. Şenyurt Cad. No: 35	0342 231 17 33
35 Hatay	Öz Kardeş Bobinaj	Yeni San. Sit. 38/A Blok No: 34	0326 221 22 91
36 Isparta	Izmir Bobinaj	Yeni San. Sit. 6 Blok No: 28	0246 223 70 11
37 İstanbul	Akal El. Servis Hizmetleri	Nato Yolu Caddesi Özgün Sok No: 1 Y.Dudullu	0216 540 53 55
38 İstanbul	Birlik Elektromekanik	Perpa Tic. Mer. B Blok Mavi Avlu Kat.4 No: 318 Okmeydanı	0212 222 94 94
39 İstanbul	Fırat Dış Ticaret	Tersane Cad. Kuthan No: 38 Kat 3 Karaköy	0212 252 93 43
40 İstanbul	Kardeşler Bobinaj	Çağlayan Mah. Sinanpaşa Cad. No: 5 Çağlayan	0212 224 97 54
41 İstanbul	Mert Elektrik	İkitemelı Örg. Demirciler San. Sit. D-2 Blok No: 280 İkitemelı	0212 549 65 38
42 İstanbul	Svs Teknik	İstasyon Cad. Gibtaş San. Sit. F Blok No: 24 Tuzla	0216 446 69 79
43 İstanbul	Tarık Makina	Bağdat Cad. Adalı Sok. No: 8 Maltepe	0216 441 05 59
44 İstanbul	Tekniker Bobinaj	Birlik San. Sit. 1. Cad. K.Dükkanlar No: 15 Beylikdüzü	0212 875 17 78
45 İstanbul	Orjinal Elektrik	Bağlar Mah. Mimar Sinan Cad. No:24 Güneşli	0212 515 67 71
46 İzmir	Birlik Bobinaj	2824 Sok. No: 18/1. San. Sit. Halkapınar	0232 458 39 42
47 İzmir	Boro Cıvata	1203/2 Sok. No: 21-B Yenışehir	0232 469 80 70
48 İzmir	Çetin Bobinaj	Cüneyt Bey Mah. İbrahim Turan Cad. No 98/A Menderes	0232 782 10 84
49 İzmir	Doruk Hırdavat	1426 Sok. No: 14 Hurdacılar Sitesi Doğanlar Bornova	0232 478 14 12
50 Karaman	Özüm Elektrik Bobinaj	Yeni San. Sit. 735. Sok. No: 2	0338 212 32 69
51 Kastamonu	Teknik Bobinaj	İnönü Mah. İnebolu Cad. No: 132	0366 212 62 26
52 Kayseri	Akın Elektrik Bobinaj	Eski San. Bölgesi 5. Cad. No: 8	0262 336 41 23
53 Kırklareli	Tarık Elektronik	K.İbrahim Mah. M.Kemal Bulvarı No: 72/C	0288 214 19 72
54 Kırklareli	Yalçın Bobinaj	Yeni San. Sit. C3 Blok No:55 Lüleburgaz	0288 412 41 97
55 Kocaeli	Efe Elektrik Bobinaj	Körfez San. Sit. 12. Blok No: 13	0262 335 18 94
56 Kocaeli	Gülsoy Bobinaj	S.Orhan Mah. İlyasbey Cad.1111 Sk No: 5/1 Gebze	0262 646 92 49
57 Kocaeli	Teknik Karot	Gaziler Mah. İbrahimğa Cad. No:125 Gebze	0262 642 79 10
58 Konya	Meb. Murat Elk. Bobinaj	Karatay San. Sit. Fatih Mah. Çiçekli Sok. No: 10	0332 235 64 63
59 Konya	Sözener Bobinaj	Fevzi Çakmak Mah. Komsan İş Merkezi Anamur 10562 Sok. No:8	0332 342 63 18
60 Kütahya	Doğan Bobinaj	Yeni San. Sit. 19. Sok: 28/1	0274 231 22 00
61 Malatya	Özer Bobinaj	Yeni San. Sit. 2. Cad. No: 95	0422 336 39 53
62 Manisa	Çavuş Bobinaj	Kurtuluş Mah. Fatih Cad. No: 44/A Soma	0236 614 13 78
63 Manisa	Uslu Bobinaj Ve Makina	Güzelyurt Mah. Kenan Evren San. Sit. 5309 Sok. No: 63/A	0236 236 33 86
64 Mersin	Şekerler Elektrik Bobinaj	Nusratiye Mah. 5005 Sok. No: 20/A	0324 336 70 98
65 Mersin	Üniversal Bobinaj	Nusratiye Mah. Çiftçiler Cad.68 Sok. No: 19	0324 233 44 29
66 Muğla	Bodrum Makina	Türkuyusu Mah.San. Sit. Ethem Demiröz Sok. No: 8 Bodrum	0252 316 28 51
67 Muğla	General Elektrik Bobinaj	Taşyaka Mah. San. Sit. 260. Sok. No: 18 Fethiye	0252 612 38 34
68 Muğla	Başaran Teknik	Beldibi Cad. Sanayi Girişi No: 5/C Marmaris	0252 419 20 29
69 Muğla	Öztürk Bobinaj	Atakent Mah. Çevreyolu Üzeri Dalaman	0252 697 64 98
70 Nevşehir	Çiftçüğü Soğutma	Yeni San. Sit. 8. Blok No: 28	0384 213 19 96
71 Niğde	Emek Motor	Eski San. Çarşısı 1.Blok No: 2	0388 232 83 59
72 Sakarya	Engin Elektrik Bobinaj	Maltepe Mah. Orhan Gazi Cad. Şehit Metin Akkuş Sok. No: 19	0264 291 05 67
73 Samsun	Akiş Bobinaj	Ulus Cad.San. Sit. Keresteciler Kısmı No: 40	0362 238 07 23
74 Sivas	Bayraktar Elektrik	Yeni Çarşı No: 72/C	0346 221 47 55
75 Şanlıurfa	Ay Elektrik	Samsat Kapı Aşaroglu Garajı No: 19	0414 215 74 76
76 Tekirdağ	Birkan Teknik	Şeyhsinan Mah. Ş.Pilot İ.Aksoy Sok. Aksoy Psj. No: 20/7-B ÇORLU	0282 654 50 91
77 Tekirdağ	Çetin Elektrik Bobinaj	100.Yıl San. Sit. 14B Blk. No: 10	0282 263 86 60
78 Tokat	Çetin Elektrik Bobinaj	San. Sit. Camii Altı No: 22	0356 214 63 07
79 Trabzon	Akçay Bobinaj Makina	Yaylacık Mah. Tosun San Sit No: 3 Akçaabat	0462 227 54 26
80 Trabzon	Makina Market	Rize Cad. No: 71 Değirmendere	0462 328 14 80
81 Uşak	Zengin Bobinaj	İslice Mah. Ürem Sok. No: 10/C	0276 227 27 46
82 Van	Özen Elektrik Bobinaj	Alçeken Pasajı No: 41	0432 214 22 20
83 Yalova	Deniz El. Ser. Hizmetleri	Hürriyet Mah. Eski Bursa Cad. No: 39 Altınova	0226 461 22 43
84 Zonguldak	Genel Elektromotor	Çınarrett Mah.T.T.K 69 Ambarları 4. Kısım	0273 268 08 64
85 Zonguldak	Tümen Makina	Kışla Sanayi Sit. D Blok No: 17 Kdz.Ereğli	0372 323 74 97

BLACK & DECKER JÓTÁLLÁSI JEGY ÉS JÓTÁLLÁSI FELTÉTELEK

Gratulálunk Önnek ennek az értékes Black & Decker készülék megvásárlásához.

Azon termékeinkre, amelyet fogyasztói szerződés keretében háztartási, hobby célra vásárolnak **24 hónap jótállást vállalunk.**

A termék iparszerű használatra nem alkalmas!

A jótállás a fogyasztó jogszabályból eredő jogait nem érinti.

- 1) A Stanley Black & Decker Hungary Kft. a jótállás, kellék- és termékszavatosság keretében végzett javításokat vagy a termék kicserélését 19/2014. (IV.29.) NGM rendelet és a 151/2003. (IX.22.) Kormányrendelet szerint végzi a jótállási idő, illetve a kellék- és termékszavatossági jogok érvényesíthetőségének teljes időtartama alatt.
 - a) A fogyasztó jótállási igényét a jótállási jeggyel érvényesítheti, ezért kérjük azt őrizze meg.
 - b) Vásárláskor a forgalmazónak (kereskedőnek) a jótállási jegyben fel kell tüntetnie a fogyasztási cikk azonosításra alkalmas megnevezését, típusát, gyártási számát, továbbá – amennyiben van ilyen – azonosításra alkalmas részeinek meghatározását, illetve a fogyasztó részére történő átadásának időpontját. A jótállási jegyet a forgalmazó (kereskedő) nevében eljáró személynek alá kell írnia és a kereskedés azonosítására alkalmas tartalmú (minimum cégnev, üzlet címe) bélyegzővel olvashatóan le kell bélyegezni. Kérjük, kísérje figyelemmel a jótállási jegy megfelelő érvényesítését, mivel a kijelölt szervizeknél a jótállási igény csak érvényes jótállási jeggyel érvényesíthető. Amennyiben a jótállási jegy szabálytalanul került kiállításra, jótállási igényével kérjük forduljon a termékét az Ön részére értékesítő partnerünkhöz (kereskedőhöz). A jótállási jegy szabálytalan kiállítása vagy a fogyasztó rendelkezésére bocsátás elmaradása nem érinti a jótállási érvényességét. Kérjük, hogy a jótállási jegyben kívül a nyugtát vagy számlát is sziveskedjen megőrizni a gyorsabb és hatékonyabb ügyintézés érdekében, mert a szerződés megkötése az ellenérték megfizetését igazoló bizonylattal is bizonyítható.
 - c) Elvesztett jótállási jegyet csak a fogyasztói szerződés létrejöttét igazoló nyugta vagy számla ellenében tudunk pótolni!
- 2) **Nem terjed ki a jótállás:**
 - a) amennyiben a hiba oka rendeltetésellenes, illetve a mellékelt magyar nyelvű használati kezelési útmutatóban foglaltaktól eltérő használat, átalakítás, szakszerűtlen kezelés, helytelen tárolás, elemi kár vagy egyéb a vásárlás után a fogyasztó érdekkörében keletkezett ok miatt következik be;
 - b) amennyiben a terméket iparszerű (professzionális) célokra használták, kölcsönzési szolgáltatás nyújtásához használták fel (nem fogyasztói szerződés);
 - c) azon alkatrészekre, amelyek esetében a meghibásodás a jótállási időn belüli rendeltésszerű használat mellett az alkatrészek természetes elhasználódása, kopása miatt következett be (így különösen: fűrészlán, fűrészlap, gyalukés, meghatószíj, csapagtyak, szénkefe, csillagkerék);
 - d) a készülék túlterhelése miatt jelentkező hibákra, amelyek a hájtómű meghibásodásához, vagy egyéb addó adódó károkhoz vezetnek;
 - e) a termék nem hivatalos szervizben történt javításából eredő hibákra;
 - f) az olyan károsodásokra, amelyek nem eredeti Black & Decker kiegészítő készülékek és tartozékok használatából adódnak **amennyiben a szakszerviz bizonyítja, hogy a hiba a fenti okok valamelyikére vezethető vissza.**
- 3) A fogyasztó a javítás vagy csere iránti igényét a jótállási időn belül a kereskedőnél, illetve javítás iránti igényét a jótállási jegyben feltüntetett javítószolgálatnál is érvényesítheti.

Termékszavatossági igényét kérjük a jótállási jegyben feltüntetett gyártónak vagy forgalmazónak sziveskedjen bejelenteni.

- a) Nem számít bele a jótállási időbe a kijavítási időnek az a része, amely alatt a fogyasztó a terméket nem tudta rendeltésszerűen használni.
 - b) A terméknek a kicseréléssel vagy kijavítással érintett részére a jótállási idő újból kezdődik.
 - c) Ha a fogyasztási cikk a vásárlástól (üzembe helyezéstől) számított három munkanapon belül meghibásodik, a fogyasztó ezen időtartamon belül kérheti annak kicserélését feltéve, hogy a meghibásodás a rendeltésszerű használatot akadályozza. A hiba fennállásának, vagy a rendeltésszerű használatot akadályozó mérték megállapításához a kereskedő kérheti a szakszerviz közreműködését.
 - d) Amennyiben a jótállási igény bejelentését követően a kereskedő az igény teljesíthetőségéről azonnal nem tud nyilatkozni, úgy öt munkanapon belül kell értesítenie a fogyasztót az álláspontjáról.
 - e) Ha a kijavítás vagy a csere nem lehetséges, a fogyasztó választása szerint műszakilag és értékében hasonló készülék kerül felajánlásra, vagy a vételár arányos leszállításra kerül sor, vagy visszafizetésre kerül a vételár.
 - f) A termék hibája miatt a fogyasztó a forgalmazótól is követelheti a hiba kijavítását vagy a termék kicserélését a forgalomba hozataltól számított két év elteltéig (termékszavatosság).
- 4) A jótállás alapján történő javítás során a forgalmazónak, illetve a javítószolgálatnak (kereskedőnek) törekednie kell arra, hogy a javítást legfeljebb 15 napon belül megfelelő minőségben elvégezze, elvégeztesse.

A jótállás keretében tartozó kijavítás vagy csere esetén a forgalmazó, illetve a javítószolgálat a jótállási jegyben köteles feltüntetni:

- a javítás iránti igény bejelentésének és a kijavításra történő átvétel időpontját,
- a hiba okát és a javítás módját;
- a termékfogyasztó részére történő visszaadásának időpontját,
- a kicserélés tényét és időpontját.

A termék meghibásodása esetén a fogyasztót az alábbi jogok illetik meg:

Elsősorban - választása szerint - kijavítást vagy kicserélést követelhet. A csereigény akkor megalapozott, ha a termék a fogyasztónak okozott jelentős kényelmetlenség nélkül, megfelelő minőségben és ésszerű határidőn belül, értéksökkenés nélkül nem javítható ki, vagy nem kerül kijavításra.

Ha az előírt módon történő kijavításra, illetve kicserélésre vonatkozó kötelezettségének a forgalmazó nem tud eleget tenni, a fogyasztó – választása szerint – a vételár arányos leszállítást igényelheti, a hibát a forgalmazó költségére maga kijavíthatja, vagy előlhat a szerződéstől (a hibás áru visszaszolgáltatásával egyidejűleg kérheti a nyugtán vagy számlán feltüntetett bruttó vételár visszatérítését). Jelentéktelen hiba miatt ellátásnak nincs helye!

Kérjük, hogy a hiba felfedezését követő legrövidebb időn belül sziveskedjen azt a szervizben vagy a forgalmazónál bejelenteni. A kijavítást vagy kicserélést - a dolog tulajdonságaira és a fogyasztó által elvárható rendeltetésére figyelemmel - megfelelő határidőn belül, a fogyasztó érdekeit kímélve kell elvégezni.

Gyártó:	Forgalmazó:
Black & Decker Europe,	Stanley Black & Decker Hungary Kft
210 Bath Road, Slough,	1016. Budapest,
Berkshire, SL13YD,	Mészáros u. 58/B
Egyesült Királyság	

Fogyasztói jogvita esetén a fogyasztó a megyei (fővárosi) kereskedelmi és iparkamarák mellett működő békéltető testület eljárását is kezdeményezheti!

Kereskedő által a vásárlással egyidejűleg kitöltendő

Kereskedő neve és címe:
.....

A fogyasztási cikk megnevezése:.....

Típusa:.....

Gyártási száma:

Szerződésalkötés és a termék fogyasztó részére történő átadásának dátuma:

..... P.H.
aláírás

Kereskedő által kitöltendő kicserélés esetén

A fogyasztó a hibás terméket valamennyi tartozékával átadta.

A kicserélés időpontja:

..... P.H.

aláírás

A hibátlan terméket átvettem.

A kicserélt új termék átvételének időpontja:

.....

fogyasztó aláírása

Kijavítás esetén a szerviz tölti ki:

1. javítás

A kijavítás iránti igény bejelentésének és a kijavításra átvétel időpontja:
.....

A bejelentett hiba oka és a kijavítás módja:
.....

A fogyasztó részére történő visszaadás időpontja:
.....

Amennyiben a termék nem javítható, a csereigény alapos:
igen / nem (aláhúzással jelölendő)

..... P.H.
aláírás

3. javítás

A kijavítás iránti igény bejelentésének és a kijavításra átvétel időpontja:
.....

A bejelentett hiba oka és a kijavítás módja:
.....

A fogyasztó részére történő visszaadás időpontja:
.....

Amennyiben a termék nem javítható, a csereigény alapos:
igen / nem (aláhúzással jelölendő)

..... P.H.
aláírás

2. javítás

A kijavítás iránti igény bejelentésének és a kijavításra átvétel időpontja:
.....

A bejelentett hiba oka és a kijavítás módja:
.....

A fogyasztó részére történő visszaadás időpontja:
.....

Amennyiben a termék nem javítható, a csereigény alapos:
igen / nem (aláhúzással jelölendő)

..... P.H.
aláírás

4. javítás

A kijavítás iránti igény bejelentésének és a kijavításra átvétel időpontja:
.....

A bejelentett hiba oka és a kijavítás módja:
.....

A fogyasztó részére történő visszaadás időpontja:
.....

Amennyiben a termék nem javítható, a csereigény alapos:
igen / nem (aláhúzással jelölendő)

..... P.H.
aláírás

Stanley Black & Decker Hungary Kft

Iroda

1016 Bp. Mészáros u 58/b.

Tel.

214-05-61

Fax.

214-69-35

Központi Márkaszerviz

Elérhetőség

ROTEL Kft. Márkaszerviz 1163 Bp. (Sashalom) Thököly út 17.

Tel/fax

403-22-60, 404-00-14,
403-65-33

service@rotelkft.hu

www.rotelkft.hu

Garancián túli javító ill. garanciális átvevőhelyek

Város	Szervizállomás	Cím	Telefon
Cegléd	Megatool Kft.	2700, Széchenyi út 4.	53/311-284
Debrecen	Spirál-szerviz kft	4025, Nyugati út 5-7.	52443-000
Hajdúböszörmény	Vill-For Szerviz Bt	4220, Balthazár u. 26.	52/561-135
Kaposvár	Kaposvári Kíségjavító és Ért. BT	7400, Fő u.30.	82/318-574
Nagykanizsa	Vektor2000BT	8800, Király u 34.	93/310-937
Nyíregyháza	Charon Trade Kft	4400, Kállói út 85/b	42/460-154
Nyíregyháza	Tóth Kíségpszerviz	4400, Vasgyár u.2/f	42/504-082
Pécs	Elektrió Kft.	7623, Szabadság u.28.	72/555-657
Szeged	Csavarker Plus Kft	6721, Brüsszeli krt.16.	62/542-870
Székesfehérvár	Kíségép Center Bt.	8000, Széna tér 3.	22/340-026
Szolnok	Valido BT	5000 Dr Elek István u 5	20/4055711
Szombathely	Rotor Kft.	9700, Vasút u.29.	94/317-579
Tápiószecső	ÁCS.I Ker és Szolg Kft	2251, Pesti út 31-es főút	29/446-615

CZ ZÁRUČNÍ LIST

PL KARTA GWARANCYJNA

H JÓTÁLLÁSI JEGY

SK ZÁRUČNÝ LIST



CZ měsíců
H hónap

24

PL miesiące
SK mesiacov

CZ Výrobní kód	Datum prodeje	Razítko prodejny Podpis
H Gyári szám	A vásárlás napja	Pecsét helye Aláírás
PL Numer seryjny	Data sprzedaży	Stempel Podpis
SK Číslo série	Dátum predaja	Pečiatka predajne Podpis

CZ

Adresy servisu
Band Servis
Klážterského 2
CZ-140 00 Praha 4
Tel.: 00420 244 403 247
Fax: 00420 241 770 167

Band Servis
K Pasekám 4440
CZ-76001 Zlín
Tel.: 00420 577 008 550,1
Fax: 00420 577 008 559
<http://www.bandservis.cz>

H

Black & Decker Központi
Garanciális-és Márkaszerviz
1163 Budapest
(Sashalom) Thököly út 17.
Tel.: 403-2260
Fax: 404-0014
www.rotelkft.hu

PL

Adres servisu centralnego
ERPATECH
ul. Bakaliowa 26
05-080 Mościska
Tel.: 022-8620808
Fax: 022-8620809

SK

Adresa servisu
Band Servis
Paulínska ul. 22
SK-91701 Trnava
Tel.: 00421 335 511 063
Fax: 00421 335 512 624

CZ Dokumentace záruční opravy		PL Przebieg napraw gwarancyjnych				
H A garanciális javítás dokumentálása		SK Záznamy o záručných opravách				
CZ	Číslo	Datum příjmu	Datum zakázky	Číslo zakázky	Závada	Razítko Podpis
H	Sorszám	Bejelentés időpontja	Javítási időpont	Javítási munkalapszám	Hiba jelleg oka	Pecset Aláírás
	Jótállás új határideje					
PL	Nr.	Data zgłoszenia	Data naprawy	Nr. zlecenia	Przebieg naprawy	Stempel Podpis
SK	Číslo dodávky	Dátum nahlásenia	Dátum opravy	Číslo objednávky	Popis poruchy	Pečiatka Podpis

