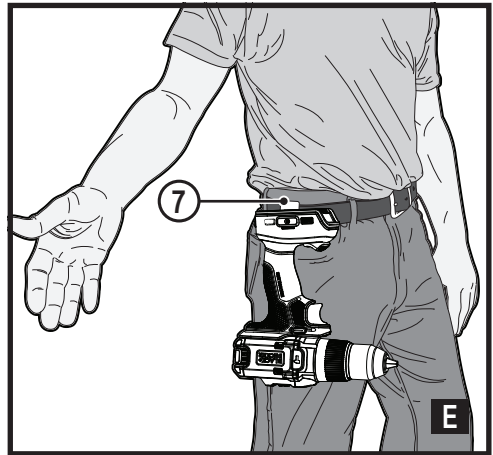
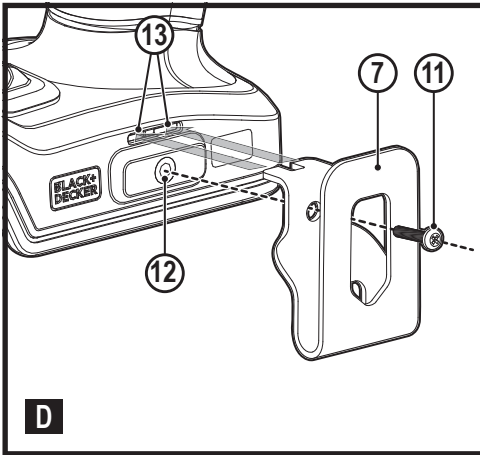
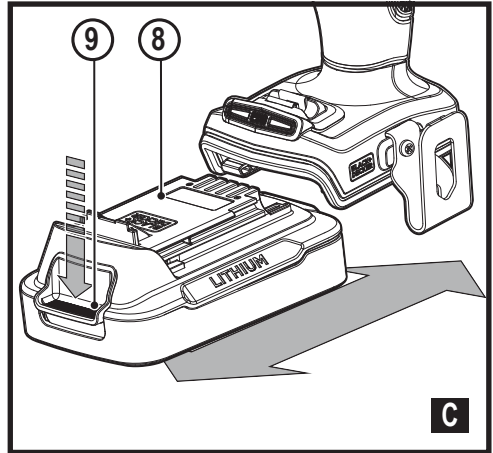
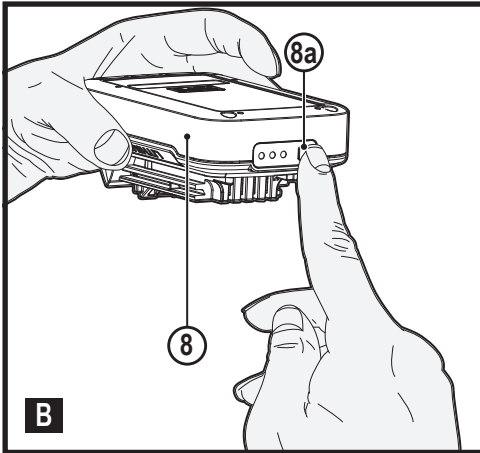
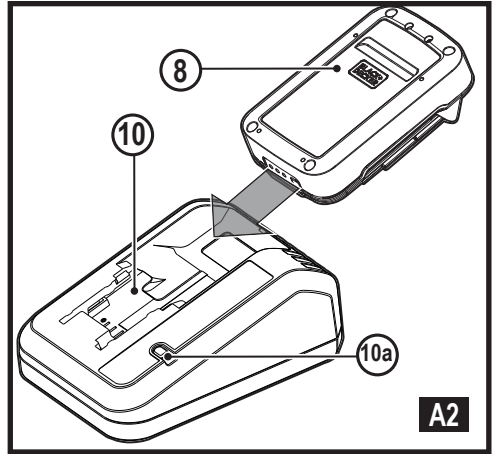
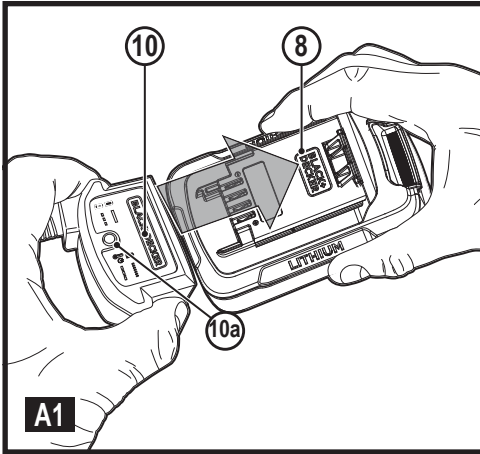
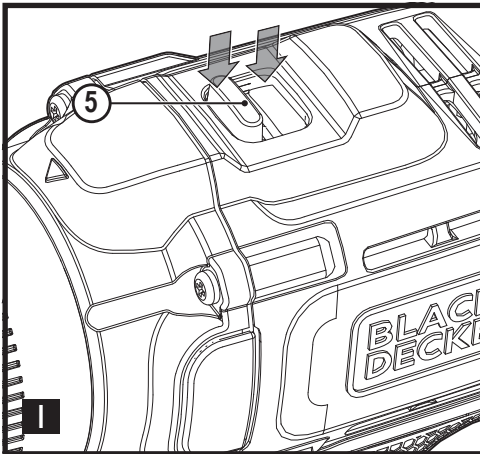
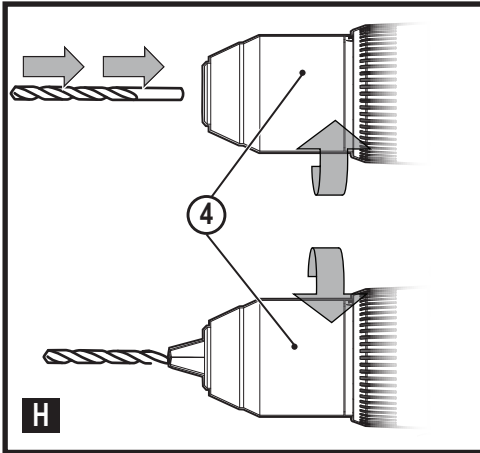
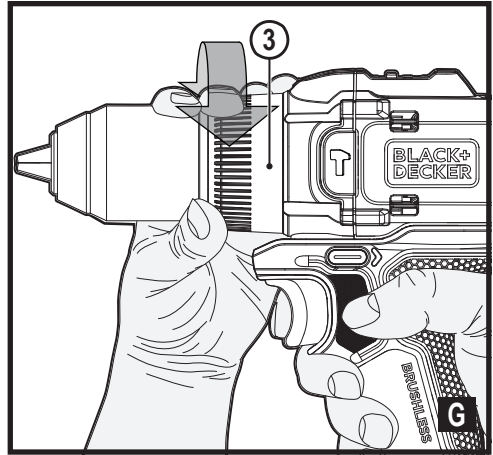
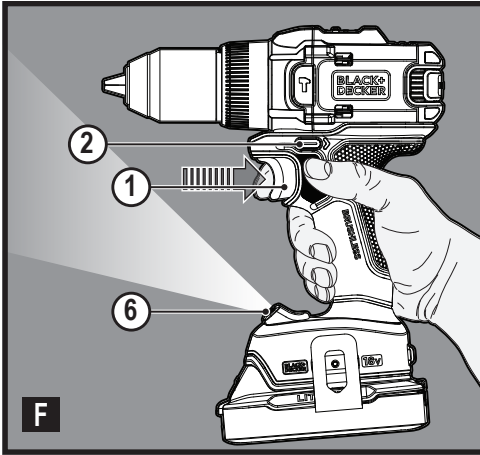


English (original instructions)	4
Deutsch (<i>übersetzt von den originalanweisungen</i>)	10
Français (<i>traduction de la notice d'instructions originale</i>)	21
Italiano (<i>tradotto dalle istruzioni originali</i>)	30
Nederlands (<i>vertaald vanuit de originele instructies</i>)	39
Español (<i>traducido de las instrucciones originales</i>)	48
Português (<i>traduzido das instruções originais</i>)	57
Svenska (<i>översatt från de ursprungliga instruktionerna</i>)	66
Norsk (<i>oversatt fra de originale instruksjonene</i>)	74
Dansk (<i>oversat fra original brugsvejledning</i>)	82
Suomi (<i>käännetty alkuperäisestä käyttöohjeesta</i>)	90
Ελληνικά (<i>μετάφραση από τις πρωτότυπες οδηγίες</i>)	98





Intended use

Your BLACK+DECKER BLD683 - impact drill, has been designed for screwdriving applications and for drilling in wood, metal, plastic and masonry. This tool is intended for consumer use only.

Safety instructions

General power tool safety warnings



Warning! Read all safety warnings, instructions, illustrations and specifications provided with this power tool. Failure to follow the warnings and instructions listed below may result in electric shock, fire and/or serious injury.

Save all warnings and instructions for future reference.

The term "power tool" in all of the warnings listed below refers to your mains operated (corded) power tool or battery operated (cordless) power tool.

1. Work area safety

- a. **Keep work area clean and well lit.** Cluttered or dark areas invite accidents.
- b. **Do not operate power tools in explosive atmospheres, such as in the presence of flammable liquids, gases or dust.** Power tools create sparks which may ignite the dust or fumes.
- c. **Keep children and bystanders away while operating a power tool.** Distractions can cause you to lose control.

2. Electrical safety

- a. **Power tool plugs must match the outlet. Never modify the plug in any way.**

- Do not use any adapter plugs with earthed (grounded) power tools.** Unmodified plugs and matching outlets will reduce risk of electric shock.
- b. **Avoid body contact with earthed or grounded surfaces such as pipes, radiators, ranges and refrigerators.** There is an increased risk of electric shock if your body is earthed or grounded.
 - c. **Do not expose power tools to rain or wet conditions.** Water entering a power tool will increase the risk of electric shock.
 - d. **Do not abuse the cord. Never use the cord for carrying, pulling or unplugging the power tool. Keep cord away from heat, oil, sharp edges or moving parts.** Damaged or entangled cords increase the risk of electric shock.
 - e. **When operating a power tool outdoors, use an extension cord suitable for outdoor use.** Use of a cord suitable for outdoor use reduces the risk of electric shock.
 - f. **If operating a power tool in a damp location is unavoidable, use a residual current device (RCD) protected supply.** Use of an RCD reduces the risk of electric shock.
3. **Personal safety**
 - a. **Stay alert, watch what you are doing and use common sense when operating a power tool. Do not use a power tool while you are tired or under the influence of drugs, alcohol or medication.** A moment of inattention while operating power tools may result in serious personal injury.
 - b. **Always use personal protective equipment.** Personal protective equipment such as eye protection, dust mask, non-skid safety shoes, hard hat and/or hearing protection used for appropriate conditions will reduce the risk of personal injuries.
 - c. **Prevent unintentional starting. Ensure the switch is in the off-position before connecting to power source and/or battery pack, picking up or carrying the tool.** Carrying power tools with your finger on the switch or energising power tools that have the switch on invites accidents.
 - d. **Remove any adjusting key or wrench before turning the power tool on.** A wrench or a key left attached to a rotating part of the power tool may result in personal injury.
 - e. **Do not overreach. Keep proper footing and balance at all times.** This enables better control of the power tool in unexpected situations.
 - f. **Dress properly. Do not wear loose clothing or jewellery. Keep your hair, clothing and gloves away from moving parts.** Loose clothes, jewellery or long hair can be caught in moving parts.
 - g. **If devices are provided for the connection of dust extraction and collection facilities, ensure these are connected and properly used.** Use of dust collection can reduce dust-related hazards.
 - h. **Do not let familiarity gained from frequent use of tools allow you to become complacent and ignore tool safety principles.** A careless action can cause severe injury within a fraction of a second.
 4. **Power tool use and care**
 - a. **Do not force the power tool. Use the correct power tool for your application.** The correct power tool will do the job better and safer at the rate for which it was designed.
 - b. **Do not use the power tool if the on/off switch does not turn it on and off.** Any power tool that cannot be controlled with the on/off switch is dangerous and must be repaired.
 - c. **Remove the battery pack, if detachable, from the power tool and/or activate any battery disabling device before clearing jammed material, making any adjustments, changing accessories, cleaning, or storing power tools.** Such preventive safety measures reduce the risk of starting the power tool accidentally.
 - d. **Store idle power tools out of the reach of children and do not allow persons unfamiliar with the power tool or these instructions to operate the power tool.** Power tools are dangerous in the hands of untrained users.
 - e. **Maintain power tools and accessories. Check for misalignment or binding of moving parts, breakage of parts and any other condition that may affect the power tools operation. If damaged, have the power tool repaired before use.** Many accidents are caused by poorly maintained power tools.
 - f. **Keep cutting tools sharp and clean.** Properly maintained cutting tools with sharp cutting edges are less likely to bind and are easier to control.
 - g. **Use the power tool, accessories and tool bits etc. in accordance with these instructions, taking into account the working conditions and the work to be performed.** Use of the power tool for operations different from those intended could result in a hazardous situation.
 - h. **Do not modify the tool.** Modifications may reduce the effectiveness of safety measures and increase the risks to the operator and/or bystander.
 - i. **Keep handles and grasping surfaces dry, clean and free from oil and grease.** Slippery handles and grasping surfaces may lead to unsafe handling and/or loss of control of the tool.
 - j. **Keep hoses and electrical cables away from the working area of the tool.** During operation hoses and electrical cables may be hidden from view and can be accidentally damaged by the tool.

5. Battery tool use and care

- a. **Recharge only with the charger specified by the manufacturer.** A charger that is suitable for one type of battery pack may create a risk of fire when used with another battery pack.
- b. **Use power tools only with specifically designated battery packs.** Use of any other battery packs may create a risk of injury and fire.
- c. **When battery pack is not in use, keep it away from other metal objects, like paper clips, coins, keys, nails, screws, or other small metal objects, that can make a connection from one terminal to another.** Shorting the battery terminals together may cause burns or a fire.
- d. **Under abusive conditions, liquid may be ejected from the battery; avoid contact. If contact accidentally occurs, flush with water. If liquid contacts eyes, additionally seek medical help.** Liquid ejected from the battery may cause irritation or burns.
- e. **Do not use a battery pack or tool that is damaged or modified.** Damaged or modified batteries may exhibit unpredictable behaviour resulting in fire, explosion or risk of injury.
- f. **Do not expose a battery pack or tool to fire or excessive temperature.** Exposure to fire or temperature above 130 °C may cause explosion. NOTE: The temperature „130 °C“ can be replaced by the temperature „265 °F“.
- g. **Follow all charging instructions and do not charge the battery pack or tool outside the temperature range specified in the instructions.** Charging improperly or at temperatures outside the specified range may damage the battery and increase the risk of fire.
- h. **Never immerse the tool or battery pack in water.** Immersion in water increases the risk of overheating, fire and/or explosion, which may result in personal injury and property damage.
- i. **Never expose the tool or battery pack to corrosive or conductive fluids, such as seawater, industrial chemicals, bleach or products containing bleach, etc.** Entry of corrosive or conductive fluids increases the risk of overheating, fire and/or explosion, which may result in personal injury and property damage.

6. Service

- a. **Have your power tool serviced by a qualified repair person using only identical replacement parts.** This will ensure that the safety of the power tool is maintained.
- b. **Never service damaged battery packs.** Service of battery packs should only be performed by the manufacturer or authorized service providers.

Safety Instructions for All Operations

- ◆ **Wear ear protectors when impact drilling.** Exposure to noise can cause hearing loss.
- ◆ **Brace the tool properly before use.** This tool produces a high output torque and without properly bracing the tool during operation, loss of control may occur resulting in personal injury.
- ◆ **Hold power tool by insulated gripping surfaces, when performing an operation where the cutting accessory may contact hidden wiring.** Cutting accessory contacting a “live” wire may make exposed metal parts of the power tool “live” and could give the operator an electric shock.

Safety Instructions When Using Long Drill Bits

- ◆ **Never operate at higher speed than the maximum speed rating of the drill bit.** At higher speeds, the bit is likely to bend if allowed to rotate freely without contacting the workpiece, resulting in personal injury.
- ◆ **Always start drilling at low speed and with the bit tip in contact with the workpiece.** At higher speeds, the bit is likely to bend if allowed to rotate freely without contacting the workpiece, resulting in personal injury.
- ◆ **Apply pressure only in direct line with the bit and do not apply excessive pressure.** Bits can bend causing breakage or loss of control, resulting in personal injury.

Additional Safety Warnings for Drill/ Driver/ Impact Drill

- ◆ **Use clamps or other practical way to secure and support the workpiece to a stable platform.** Holding the work by hand or against your body is unstable and may lead to loss of control.
- ◆ **Accessories and tool may get hot during operation.** Wear gloves when handling them if performing heat producing applications such as drilling metals.
- ◆ **Air vents often cover moving parts and should be avoided.** Loose clothes, jewelry or long hair can be caught in moving parts.
- ◆ **Wear safety goggles or other eye protection.** Hammering and drilling operations cause chips to fly. Flying particles can cause permanent eye damage.
- ◆ **Wear ear protectors when impact drilling.** Exposure to noise can cause hearing loss.
- ◆ **Use auxiliary handle(s), if supplied with the tool.** Loss of control can cause personal injury.
- ◆ **Do not operate this tool for long periods of time.** Vibration caused by tool action may be harmful to your hands and arms. Use gloves to provide extra cushion and limit exposure by taking frequent rest periods.

Additional power tool safety warnings



Warning! Additional safety warnings for impact drills

- ◆ **Use auxiliary handles supplied with the tool.** Loss of control can cause personal injury.
- ◆ **Hold power tool by insulated gripping surfaces when performing an operation where the cutting accessory may contact hidden wiring.** Cutting accessory contacting a "live" wire may make exposed metal parts of the power tool "live" and could give the operator an electric shock.
- ◆ **Hold power tool by insulated gripping surfaces, when performing an operation where the fastener may contact hidden wiring.** Fasteners contacting a "live" wire may make exposed metal parts of the power tool "live" and could give the operator an electric shock.
- ◆ **Use clamps or another practical way to secure and support the workpiece to a stable platform.** Holding the work by hand or against your body leaves it unstable and may lead to loss of control.
- ◆ Before drilling into walls, floors or ceilings, check for the location of wiring and pipes.
- ◆ Avoid touching the tip of a drill bit just after drilling, as it may be hot.
- ◆ The intended use is described in this instruction manual. The use of any accessory or attachment or performance of any operation with this tool other than those recommended in this instruction manual may present a risk of personal injury and/or damage to property.

Safety of others

- ◆ This tool is not intended for use by persons (including children) with reduced physical, sensory or mental capabilities, or lack of experience and knowledge, unless they have been given supervision or instruction concerning use of the tool by a person responsible for their safety.
- ◆ Children should be supervised to ensure that they do not play with the appliance.

Residual risks

Additional residual risks may arise when using the tool which may not be included in the enclosed safety warnings. These risks can arise from misuse, prolonged use etc.

- Even with the application of the relevant safety regulations and the implementation of safety devices, certain residual risks can not be avoided. These include:
- ◆ Injuries caused by touching any rotating/moving parts.
 - ◆ Injuries caused when changing any parts, blades or accessories.
 - ◆ Injuries caused by prolonged use of a tool. When using any tool for prolonged periods ensure you take regular breaks.
 - ◆ Impairment of hearing.
 - ◆ Health hazards caused by breathing dust developed when using your tool (example:- working with wood, especially oak, beech and MDF.)

Noise and Vibration

The declared noise and vibration emission values stated in the technical data and the declaration of conformity have been measured in accordance with a standard test method provided by EN 62841 and may be used for comparing one tool with another. The declared noise and vibration emission value may also be used in a preliminary assessment of exposure.

Warning! The noise and vibration emission value during actual use of the power tool can differ from the declared value depending on the ways in which the tool is used. The vibration level may increase above the level stated.

When assessing vibration exposure to determine safety measures required by 2002/44/EC to protect persons regularly using power tools in employment, an estimation of vibration exposure should consider, the actual conditions of use and the way the tool is used, including taking account of all parts of the operating cycle such as the times when the tool is switched off and when it is running idle in addition to the trigger time.

Labels on tool

The following symbols are shown on the tool along with the date code:



Warning! To reduce the risk of injury, the user must read the instruction manual.



Do not stare at operating lamp

Additional safety instructions for batteries and chargers

Batteries

- ◆ Never attempt to open for any reason.
- ◆ Do not expose the battery to water.
- ◆ Do not store in locations where the temperature may exceed 40 °C.
- ◆ Charge only at ambient temperatures between 10 °C and 40 °C.
- ◆ Charge only using the charger provided with the tool.
- ◆ When disposing of batteries, follow the instructions given in the section "Protecting the environment".



Do not attempt to charge damaged batteries.

- ◆ Do not damage/deform the battery pack either by puncture or impact, as this may create a risk of injury and fire.
- ◆ Under extreme conditions, battery leakage may occur. When you notice liquid on the batteries carefully wipe the liquid off using a cloth. Avoid skin contact.

- ◆ In case of skin or eye contact, follow the instructions below.

Warning! The battery fluid may cause personal injury or damage to property. In case of skin contact, immediately rinse with water. If redness, pain or irritation occurs seek medical attention. In case of eye contact, rinse immediately with clean water and seek medical attention.

Chargers

Your charger has been designed for a specific voltage. Always check that the mains voltage corresponds to the voltage on the rating plate.

Warning! Never attempt to replace the charger unit with a regular mains plug.

- ◆ Use your BLACK+DECKER charger only to charge the battery supplied with the tool. Other batteries could burst, causing personal injury and damage.
- ◆ Never attempt to charge non-rechargeable batteries.
- ◆ If the supply cord is damaged, it must be replaced by the manufacturer or an authorised Service Centre in order to avoid a hazard.
- ◆ Have defective cords replaced immediately.
- ◆ Do not expose the charger to water.
- ◆ Do not open the charger.
- ◆ Do not probe the charger.
- ◆ The appliance/tool/battery must be placed in a well ventilated area when charging.



The charger is intended for indoor use only.



Read the instruction manual before use.

Electrical safety



Your charger is double insulated; therefore no earth wire is required. Always check that the mains voltage corresponds to the voltage on the rating plate. Never attempt to replace the charger unit with a regular mains plug.

- ◆ If the supply cord is damaged, it must be replaced by the manufacturer or an authorised BLACK+DECKER Service Centre in order to avoid a hazard.

Features

This tool includes some or all of the following features.

1. Variable speed switch
2. Forward/reverse slider
3. Torque adjustment collar
4. Keyless chuck
5. Dual range gearing

6. LED work light
7. Belt hook (Available with all units)
8. Battery
9. Battery release button

Assembly

Use

Warning! Let the tool work at its own pace. Do not overload.

Charging the battery (fig. A1, A2)

The battery needs to be charged before first use and whenever it fails to produce sufficient power on jobs that were easily done before. The battery may become warm while charging; this is normal and does not indicate a problem.

Warning! Do not charge the battery at ambient temperatures below 10 °C or above 40 °C. Recommended charging temperature: approx. 24 °C.

Note: The charger will not charge a battery if the cell temperature is below approximately 10 °C or above 40 °C.

The battery should be left in the charger and the charger will begin to charge automatically when the cell temperature warms up or cools down.

- ◆ Plug the charger (10) into any standard 230 Volts 50 Hz electrical outlet.
- ◆ Slide the battery pack (8) into the charger as shown in fig. A1, A2.

The LED (10a) will flash indicating that the battery is being charged.

The completion of charge is indicated by the LED (10a) remaining on continuously. The pack is fully charged and may be used at this time or left on the charger.

Warning! fire Hazard. When removing the battery from the charger, be sure to unplug the charger from the outlet first, then remove the battery from the charger.

Charger diagnostics

This charger is designed to detect certain problems that can arise with the battery packs or the power source. Problems are indicated by one LED flashing in different patterns.

Bad battery

The charger can detect a weak or damaged battery. The LED flashes in the pattern indicated on the label. If you see this bad battery blink pattern, do not continue to charge the battery. Return it to a service center or a collection site for recycling.

Hot/cold pack delay

When the charger detects a battery that is excessively hot or excessively cold, it automatically starts a Hot/Cold Pack Delay, suspending charging until the battery has normalized.

After this happens, the charger automatically switches to the Pack Charging mode. This feature ensures maximum battery life.

The light flashes in the pattern indicated on the label.

Leaving the battery in the charger

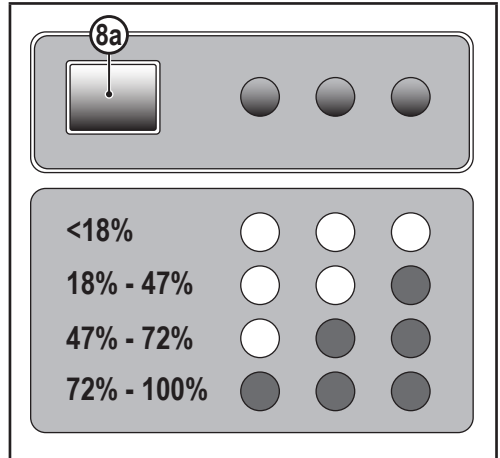
The charger and battery pack can be left connected with the LED glowing indefinitely. The charger will keep the battery pack fresh and fully charged.

Important charging notes

- ◆ Longest life and best performance can be obtained if the battery pack is charged when the air temperature is between 18 ° – 24 °C. DO NOT charge the battery pack in an air temperature below +4.5 °C), or above +40 °C. This is important and will prevent serious damage to the battery pack.
- ◆ The charger and battery pack may become warm to the touch while charging. This is a normal condition, and does not indicate a problem. To facilitate the cooling of the battery pack after use, avoid placing the charger or battery pack in a warm environment such as in a metal shed or an uninsulated trailer.
- ◆ If the battery pack does not charge properly:
 - ◆ Check operation of receptacle by plugging in a lamp or other appliance;
 - ◆ Check to see if receptacle is connected to a light switch which turns power off when you turn out the lights;
 - ◆ Move the charger and battery pack to a location where the surrounding air temperature is approximately 18 ° – 24 °C;
 - ◆ If charging problems persist, take the tool, battery pack and charger to your local service center.
- ◆ The battery pack should be recharged when it fails to produce sufficient power on jobs which were easily done previously. DO NOT CONTINUE to use under these conditions. Follow the charging procedure. You may also charge a partially used pack whenever you desire with no adverse effect on the battery pack.
- ◆ Foreign materials of a conductive nature such as, but not limited to, grinding dust, metal chips, steel wool, aluminum foil, or any buildup of metallic particles should be kept away from charger cavities. Unplug the charger before attempting to clean.
- ◆ Do not freeze or immerse the charger in water or any other liquid.

Battery state of charge indicator (Fig. B)

The battery includes a state of charge indicator to quickly determine the extent of battery life as shown in figure B. By pressing the state of charge button (8a) you can easily view the charge remaining in the battery as illustrated in figure B.



Installing and removing the battery pack from the tool (fig. C)

Warning! Make certain the lock-off button (2) is engaged to prevent switch actuation before removing or installing battery. To install battery pack:

- ◆ Insert battery pack (8) into tool, until an audible click is heard (fig. C)

Removing the battery pack from the tool (fig. C)

- ◆ Depress the battery release button (9) as shown in (fig. C) and pull battery pack out of tool.

Belt hook (Fig. D, E)

Warning! To reduce the risk of serious personal injury, place the forward/reverse button in the lock-off position or turn tool off and disconnect battery pack before making any adjustments or removing/installing attachments or accessories. An accidental start-up can cause injury.

Warning! To reduce the risk of serious personal injury, ONLY use the tool's belt hook (7) to hang the tool from a work belt. DO NOT use the belt hook (7) for tethering or securing the tool to a person or object during use. DO NOT suspend tool overhead or suspend objects from the belt hook.

Warning! To reduce the risk of serious personal injury, ensure the screw (11) holding the belt hook is secure.

Note: When attaching or replacing the belt hook (7), use only the screw (11) that is provided. Be sure to securely tighten the screw.

The belt hook (7) can be attached by sliding into the slots (13) on either side of the tool using only the screw (11) provided, to accommodate left- or right- handed users. If the hook is not desired at all, it can be removed from the tool.

To move the belt hook, remove the screw (11) that holds the belt hook (7) in place then reassemble on the opposite side.

Be sure to securely tighten the screw (11).

Operating Instructions

Trigger switch & reversing button (fig. F)

- ◆ The drill is turned ON and OFF by pulling and releasing the trigger switch (1). The farther the trigger is depressed, the higher the speed of the drill.
- ◆ A forward/reverse control button (2) determines the direction of the tool and also serves as a lock off button.
- ◆ To select forward rotation, release the trigger switch and depress the forward/reverse control button to the left.
- ◆ To select reverse, depress the forward/reverse control button the opposite direction.

Note: The center position of the control button locks the tool in the off position. When changing the position of the control button, be sure the trigger is released.

Torque control (fig.G)

This tool is fitted with a torque adjustment collar (3) to select the operating mode and to set the torque for tightening screws.

Large screws and hard workpiece materials require a higher torque setting than small screws and soft workpiece materials.

- ◆ For drilling in wood, metal and plastics, set the collar to the drilling position symbol.
- ◆ For drilling in masonry, set the collar to the hammer drilling position symbol.
- ◆ For screwdriving, set the collar to the desired setting. If you do not yet know the appropriate setting, proceed as follows:
 - ◆ Set the collar to the lowest torque setting.
 - ◆ Tighten the first screw.
 - ◆ If the clutch ratchets before the desired result is achieved, increase the collar setting and continue tightening the screw. Repeat until you reach the correct setting. Use this setting for the remaining screws.

Keyless chuck (fig. H)

Warning! Make certain the lock-off button (2) is engaged to prevent switch actuation before installing or removing accessories.

To insert a drill bit or other accessory:

- ◆ Grasp the tool with one hand and use your other hand to rotate the chuck (4) in the counterclockwise direction, as viewed from the chuck end.
- ◆ Insert the bit or other accessory fully into the chuck, and tighten securely by rotating the chuck in the clockwise direction as viewed from the chuck end.

Warning! Do not attempt to tighten drill bits (or any other accessory) by gripping the chuck and turning the tool on. Damage to the chuck and personal injury may occur when changing accessories.

Dual range gearing (Figure I)

The dual range feature of your drill allows you to shift gears for greater versatility. To select low speed, high torque setting (position 1), turn tool off and permit to stop. Slide gear shifter button (5) away from the chuck. To select the high speed, low torque setting (position 2), turn tool off and permit to stop. Slide gear shifter button towards the chuck.

Note: Do not change gears when tool is running. If you are having trouble changing gears, make sure that the dual range gear buttons are either completely pushed in or out.

Drilling/screwdriving

- ◆ Select forward or reverse rotation using the forward/reverse slider (2).
- ◆ To switch the tool on, press the switch (1). The tool speed depends on how far you press the switch.
- ◆ To switch the tool off, release the switch.

Hints for optimum use

Drilling

- ◆ Use sharp drill bits only.
- ◆ Support and secure work properly, as instructed in the Safety Instructions.
- ◆ Use appropriate and required safety equipment, as instructed in the Safety Instructions.
- ◆ Secure and maintain work area, as instructed in the Safety Instructions.
- ◆ Run the drill very slowly, using light pressure, until the hole is started enough to keep the drill bit from slipping out of it.
- ◆ Apply pressure in a straight line with the bit. Use enough pressure to keep the bit biting but not so much as to stall the motor or deflect the bit.
- ◆ Hold the drill firmly with two hands to control its twisting action.
- ◆ **DO NOT CLICK THE TRIGGER OF A STALLED DRILL OFF AND ON IN AN ATTEMPT TO START IT. DAMAGE TO THE DRILL CAN RESULT.**
- ◆ Minimize stalling on breakthrough by reducing pressure and slowly drilling through the last part of the hole.
- ◆ Keep the motor running while pulling the bit out of a drilled hole. This will help reduce jamming.
- ◆ Make sure switch turns drill on and off.

Drilling in wood

Holes in wood can be made with the same twist drill bits used for metal or with spade bits. These bits should be sharp and should be pulled out frequently when drilling to clear chips from the flutes.

Drilling in metal

Use a cutting lubricant when drilling metals. The exceptions are cast iron and brass which should be drilled dry. The cutting lubricants that work best are sulfurized cutting oil or lard oil.

Drilling in masonry

For drilling in masonry, set the collar (3) to the hammer drilling position by aligning the symbol with the marking. Slide the speed selector (5) towards the front of the tool (2nd gear).

Screwdriving

- ◆ Always use the correct type and size of screwdriver bit.
- ◆ If screws are difficult to tighten, try applying a small amount of washing liquid or soap as a lubricant.
- ◆ Always hold the tool and screwdriver bit in a straight line with the screw

Troubleshooting

Problem	Possible cause	Possible solution
Unit will not start.	Battery pack not charged.	Check battery pack charging requirements
Battery pack will not charge.	Charger not plugged in. Surrounding air temperature too hot or too cold.	Plug charger into a working outlet. Move charger and battery pack to a surrounding air temperature of above 40 degrees F (45°C) or below 105 degrees F (+40.5°C)
Unit shuts off abruptly.	Battery pack has reached its maximum thermal limit. Out of charge. (To maximize the life of the battery pack it is designed to shutoff abruptly when the charge is depleted)	Allow battery pack to cool down. Place on charger and allow to charge.

Maintenance

Your BLACK+DECKER tool has been designed to operate over a long period of time with a minimum of maintenance. Continuous satisfactory operation depends upon proper tool care and regular cleaning.

Your charger does not require any maintenance apart from regular cleaning.

Warning! Before performing any maintenance on the tool, remove the battery from the tool. Unplug the charger before cleaning it.

- ◆ Regularly clean the ventilation slots in your tool and charger using a soft brush or dry cloth.
- ◆ Regularly clean the motor housing using a damp cloth. Do not use any abrasive or solvent-based cleaner.
- ◆ Regularly open the chuck and tap it to remove any dust from the interior.

Protecting the environment



Separate collection. Products and batteries marked with this symbol must not be disposed of with normal household waste.

Products and batteries contain materials that can be recovered or recycled, reducing demand for raw materials. Please recycle electrical products and batteries according to local provisions. Further information is available at www.2helpU.com

Technical data

		BLD683 Type 1	
Voltage	V_{DC}	18	
No-load speed	Min^{-1}	0 - 450 / 0 - 1800	
Max. torque	Nm	50	
Chuck capacity	mm	2-13	
Max Drilling capacity Steel/wood/ Masonry	mm	13/30/10	
Weight	kg	1.1 kg (without battery)	

Charger	905902**		N517390
Input voltage	V_{AC}	230	230
Output voltage	V_{DC}	18	18
Current	mA	400	1000
Approx. charge time	Hours	3 - 6.5	1.5 - 2.5

Battery		BDL1518*	BDL2018*	BDL2518*
Voltage	V_{DC}	18	18	18
Capacity	Ah	1.5	2.0	2.5
Type		Li-Ion	Li-Ion	Li-Ion

Level of sound pressure according to EN 62841:

Sound pressure (L_{pA}) 92 dB(A), uncertainty (K) 5 dB(A)

Sound power (L_{WA}) 100 dB(A), uncertainty (K) 5 dB(A)

Vibration total values (triax vector sum) according to EN 62841:

Drilling into concrete ($a_{h,D}$) 16.8 m/s^2 , uncertainty (K) 1.5 m/s^2

Drilling into metal ($a_{h,D}$) 2.3 m/s^2 , uncertainty (K) 1.5 m/s^2

EC declaration of conformity

MACHINERY DIRECTIVE



BLD683 - impact drill

Black & Decker declares that these products described under "technical data" are in compliance with:
2006/42/EC, EN 62841-1:2015+A11:2022, EN 62841-2-1:2018+A11:2019+A1:2022+A12:2022.

These products also comply with Directive 2014/30/EU and 2011/65/EU. For more information, please contact Black & Decker at the following address or refer to the back of the manual.

The undersigned is responsible for compilation of the technical file and makes this declaration on behalf of Black & Decker.



Patrick Diepenbach
General Manager, Benelux
BLACK+DECKER,
Richard-Klinger-Strasse 11, 65510 Idstein, Germany
10/05/2024

Declaration of conformity THE SUPPLY OF MACHINERY (SAFETY)

REGULATIONS 2008



BLD683 - impact drill

BLACK+DECKER declares that these products described under "technical data" are in compliance with:

The Supply of Machinery (Safety) Regulations, 2008, S.I. 2008/1597 (as amended),

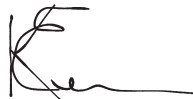
EN 62841-1:2015+A11:2022, EN 62841-2-1:2018+A11:2019+A1:2022+A12:2022

These products also conform to the following UK Regulations: Electromagnetic Compatibility Regulations, 2016, S.I.2016/1091 (as amended).

The Restriction of the Use of Certain Hazardous Substances in Electrical and Electronic Equipment Regulations 2012, S.I. 2012/3032 (as amended).

For more information, please contact BLACK+DECKER at the following address or refer to the back of the manual.

The undersigned is responsible for compilation of the technical file and makes this declaration on behalf of BLACK+DECKER



Karl Evans
Vice President Professional Power Tools EANZ GTS
BLACK+DECKER UK,
Meadowfield Avenue, Spennymoor, DL16 6YJ,
England
10/05/2024

Garantie

Black & Decker is confident of the quality of its products and offers consumers a 24 month guarantee from the date of purchase. This guarantee is in addition to and in no way prejudices your statutory rights.

The guarantee is valid within the territories of the Member States of the European Union and the European Free Trade Area and the United Kingdom.

To claim on the guarantee, the claim must be in accordance with Black & Decker Terms and Conditions and you will need to submit proof of purchase to the seller or an authorised repair agent.

Terms and conditions of the Black & Decker 2 year guarantee and the location of your nearest authorised repair agent can be obtained on the Internet at www.2helpU.com, or by contacting your local Black & Decker office at the address indicated in this manual.

Please visit our website www.blackanddecker.eu to register your new Black & Decker product and receive updates on new products and special offers.

(Übersetzung der ursprünglichen
Anweisungen)

DEUTSCH

Verwendungszweck

Ihr BLACK+DECKER Schlagbohrer BLD683 wurde für Schraubenwendungen und zum Bohren in Holz, Metall, Kunststoff und Mauerwerk entwickelt. Dieses Werkzeug ist nicht für den gewerblichen Einsatz vorgesehen.

Sicherheitshinweise

Allgemeine Sicherheitshinweise für Elektrowerkzeuge



Warnung! Beachten Sie alle Sicherheitshinweise, Anweisungen, Darstellungen und Daten, die Sie mit dem Gerät erhalten. Das Nichtbeachten der nachfolgenden Warnhinweise und Anweisungen kann zu elektrischem Schlag, Brand und/oder schweren Verletzungen führen.

Bewahren Sie alle Warnhinweise und alle Anweisungen auf. Der nachfolgend verwendete Begriff „Elektrowerkzeug“ bezieht sich auf netzbetriebene Geräte (mit Netzkabel) und auf akkubetriebene Geräte (ohne Netzkabel).

1. **Sicherheit im Arbeitsbereich**
 - a. **Halten Sie den Arbeitsbereich sauber und gut ausgeleuchtet.** Unaufgeräumte oder dunkle Bereiche begünstigen Unfälle.
 - b. **Betreiben Sie das Elektrowerkzeug nicht in explosionsgefährdeten Umgebungen, in denen sich z. B. brennbare Flüssigkeiten, Gase oder Staub befinden.** Elektrowerkzeuge erzeugen Funken, die den Staub oder Dämpfe entzünden können.
 - c. **Halten Sie Kinder und andere Personen während der Benutzung von Elektrowerkzeugen fern.** Bei Ablenkung können Sie die Kontrolle über das Gerät verlieren.

2. Elektrische Sicherheit

- a. **Der Stecker des Elektrowerkzeugs muss in die Steckdose passen. Ändern Sie niemals den Stecker in irgendeiner Form. Verwenden Sie keinerlei Adapterstecker an geerdeten Elektrowerkzeugen.**

Unveränderte Stecker und passende Steckdosen mindern die Gefahr eines elektrischen Schlages.

- b. **Vermeiden Sie Körperkontakt mit geerdeten Flächen, wie Rohren, Heizungen, Herden und Kühlgeräten.** Es besteht eine erhöhte Gefahr für einen elektrischen Schlag, wenn Ihr Körper geerdet ist.
- c. **Halten Sie Elektrowerkzeuge von Regen und Nässe fern.** Das Eindringen von Wasser in ein Elektrowerkzeug erhöht das Risiko eines elektrischen Schlags.
- d. **Überlasten Sie das Kabel nicht. Verwenden Sie das Kabel niemals, um das Elektrowerkzeug zu tragen oder durch Ziehen vom Netz zu trennen. Halten Sie das Kabel fern von Hitze, Öl, scharfen Kanten oder beweglichen Teilen.** Beschädigte oder verhedderte Kabel erhöhen die Gefahr eines elektrischen Schlags.
- e. **Wenn Sie ein Elektrowerkzeug im Freien betreiben, verwenden Sie ein für den Außeneinsatz geeignetes Verlängerungskabel.** Die Verwendung eines für den Außenbereich zugelassenen Verlängerungskabels verringert das Risiko eines Stromschlags.
- f. **Wenn der Betrieb eines Elektrowerkzeugs in feuchter Umgebung unumgänglich ist, verwenden Sie eine durch einen Fehlerstromschutzschalter (FI-Schalter) geschützte Stromversorgung.** Ein Fehlerstromschutzschalter verringert das Risiko eines Stromschlags.

3. Persönliche Sicherheit

- a. **Seien Sie aufmerksam, achten Sie darauf, was Sie tun, und gehen Sie sachgerecht mit einem Elektrowerkzeug um. Benutzen Sie kein Elektrowerkzeug, wenn Sie müde sind oder unter dem Einfluss von Drogen, Alkohol oder Medikamenten stehen.** Ein Moment der Unachtsamkeit beim Betrieb von Elektrowerkzeugen kann zu schweren Verletzungen führen.
- b. **Verwenden Sie immer geeignete Schutzausrüstung.** Persönliche Schutzausrüstung wie Augenschutz, rutschfeste Sicherheitsschuhe, Schutzhelm und/oder Gehörschutz, je nach Art und Einsatz des Geräts, verringert das Risiko von Verletzungen.
- c. **Vermeiden Sie unbeabsichtigtes Starten. Vergewissern Sie sich, dass das Gerät ausgeschaltet ist, bevor Sie es an eine Steckdose oder einen Akku anschließen, es hochheben oder tragen.** Wenn Sie beim Tragen des Elektrowerkzeugs den Finger am Schalter haben oder das Gerät eingeschaltet an die Stromversorgung anschließen, kann dies zu Unfällen führen.

- d. **Entfernen Sie alle Einstell- oder Schraubenschlüssel, bevor Sie das Elektrowerkzeug einschalten.** Schraubenschlüssel oder Einstellschlüssel, die an rotierenden Teilen des Elektrowerkzeugs angebracht sind, können zu Verletzungen führen.
- e. **Beugen Sie sich nicht zu weit nach vorne. Sorgen Sie für einen sicheren Stand und halten Sie jederzeit das Gleichgewicht.** Dadurch können Sie das Elektrowerkzeug in unerwarteten Situationen besser kontrollieren.
- f. **Tragen Sie geeignete Kleidung. Tragen Sie keine weite Kleidung und keinen Schmuck. Halten Sie Ihre Haare, Kleidung und Handschuhe von beweglichen Teilen fern.** Lose sitzende Kleidung, Schmuck oder lange Haare können sich in den beweglichen Teilen verfangen.
- g. **Wenn Geräte für den Anschluss an eine Staubabsaugung und Staubauffangvorrichtung vorgesehen sind, vergewissern Sie sich, dass diese angeschlossen sind und ordnungsgemäß verwendet werden.** Das Verwenden einer Staubauffangvorrichtung verringert Gefährdungen durch Staub.
- h. **Vermeiden Sie, dass Sie durch häufige Verwendung von Werkzeugen unachtsam werden und die Prinzipien der Werkzeugsicherheit ignorieren.** Eine unachtsame Handlung kann innerhalb von Sekundenbruchteilen zu schweren Verletzungen führen.
- ## 4. Verwendung und Pflege des Elektrowerkzeugs
- a. **Überlasten Sie das Werkzeug nicht. Verwenden Sie das für Ihre Arbeit passende Elektrowerkzeug.** Das richtige Gerät wird die Aufgabe besser und sicherer erledigen, wenn es bestimmungsgemäß verwendet wird.
- b. **Benutzen Sie kein Elektrowerkzeug, dessen Ein-/Ausschalter defekt ist.** Ein Elektrowerkzeug, das sich nicht mehr ein- oder ausschalten lässt, ist gefährlich und muss repariert werden.
- c. **Nehmen Sie den Akku, falls abnehmbar, vom Elektrowerkzeug ab bzw. aktivieren Sie eine eventuelle Akkusperre, bevor Sie eingeklemmtes Material entfernen, Einstellungen vornehmen, Zubehörteile wechseln, Elektrowerkzeuge reinigen oder lagern.** Diese Vorbeugemaßnahmen mindern die Gefahr, dass das Elektrowerkzeug unbeabsichtigt startet.
- d. **Bewahren Sie unbenutzte Elektrowerkzeuge außerhalb der Reichweite von Kindern auf. Lassen Sie Elektrowerkzeuge nicht von Personen benutzen, die damit nicht vertraut sind oder diese Anweisungen nicht gelesen haben.** Elektrowerkzeuge sind in den Händen nicht geschulter Personen gefährlich.
- e. **Halten Sie das Gerät und sein Zubehör in einem einwandfreien Zustand. Kontrollieren Sie, ob bewegliche Teile falsch ausgerichtet sind oder klemmen und ob Teile gebrochen oder so beschädigt sind, dass die Funktion des Geräts beeinträchtigt ist.**

Bei Beschädigungen lassen Sie das Elektrowerkzeug reparieren, bevor Sie es verwenden. Viele Unfälle entstehen wegen mangelnder Wartung der Geräte.

- f. **Halten Sie Schneidwerkzeuge scharf und sauber.** Richtig gewartete Schneidwerkzeuge mit scharfen Klingen blockieren seltener und sind leichter unter Kontrolle zu halten.
- g. **Verwenden Sie das Gerät, Zubehör, Einsatz-Bits usw. entsprechend diesen Anweisungen und berücksichtigen Sie dabei die Arbeitsbedingungen und die auszuführende Arbeit.** Der Gebrauch dieses Geräts für andere als die vorgesehenen Zwecke kann zu gefährlichen Situationen führen.
- h. **Nehmen Sie keine Veränderungen an dem Werkzeug vor.** Veränderungen können die Wirksamkeit von Sicherheitsmaßnahmen verringern und die Risiken für den Bediener bzw. Umstehende erhöhen.
- i. **Halten Sie die Griffe und Greifflächen trocken, sauber und frei von Öl und Fett.** Rutschige Griffe und Griffflächen können zu einem unsicheren Umgang bzw. zum Verlust der Kontrolle über das Werkzeug führen.
- j. **Halten Sie Schläuche und Stromkabel vom Arbeitsbereich des Geräts fern.** Während des Betriebs können Schläuche und Stromkabel möglicherweise durch andere Gegenstände verdeckt werden und unbeabsichtigt durch das Werkzeug beschädigt werden.

5. Gebrauch und Pflege von Akkuwerkzeugen

- a. **Laden Sie die Akkus nur in Ladegeräten auf, die vom Hersteller angegeben wurden.** Für ein Ladegerät, das nur für eine bestimmte Akkuart geeignet ist, besteht Brandgefahr, wenn es mit anderen Akkus verwendet wird.
- b. **Verwenden Sie nur die für das jeweilige Elektrowerkzeug vorgesehenen Akkus.** Der Gebrauch von anderen Akkus kann zu Verletzungen und Brandgefahr führen.
- c. **Halten Sie den nicht benutzten Akku fern von Büroklammern, Münzen, Schlüsseln, Nägeln, Schrauben oder anderen kleinen Metallgegenständen, die eine Überbrückung der Kontakte verursachen könnten.** Ein Kurzschluss zwischen den Akkukontakten kann Verbrennungen oder Feuer zur Folge haben.
- d. **Unter missbräuchlichen Bedingungen kann Flüssigkeit aus dem Akku austreten, Kontakt vermeiden. Bei unbeabsichtigtem Kontakt mit Wasser abspülen. Gelangt die Flüssigkeit in die Augen, ziehen Sie außerdem ärztliche Hilfe hinzu.** Austretende Akkuflüssigkeit kann zu Hautreizungen oder Verbrennungen führen.
- e. **Verwenden Sie keine Akkus oder Werkzeuge, die beschädigt sind oder modifiziert wurden.**

Beschädigte oder modifizierte Akkus können sich unvorhersehbar verhalten und stellen ein Risiko von Feuer, Explosionen oder Verletzungen dar.

- f. **Setzen Sie Akkus und Werkzeuge keinem Feuer oder extremen Temperaturen aus.** Die Einwirkung von Feuer oder Temperaturen über 130°C kann zu Explosionen führen. HINWEIS: Die Temperaturangabe „130 °C“ kann durch die Temperaturangabe „265 °F“ ersetzt werden.
 - g. **Befolgen Sie alle Anweisungen zum Aufladen und laden Sie den Akku oder das Werkzeug nicht jenseits des in der Anleitung angegebenen Temperaturbereichs auf.** Das falsche Aufladen oder das Aufladen bei Temperaturen jenseits des angegebenen Bereichs kann den Akku beschädigen und das Brandrisiko erhöhen.
 - h. **Tauchen Sie das Werkzeug oder den Akku keinesfalls in Wasser ein.** Durch das Eintauchen in Wasser erhöht sich das Risiko einer Überhitzung, eines Brandes und/oder einer Explosion, was zu Verletzungen und Sachschäden führen kann.
 - i. **Setzen Sie das Werkzeug oder den Akku keinesfalls korrosiven oder leitenden Flüssigkeiten aus, wie beispielsweise Meerwasser, Industriechemikalien, Bleiche oder Produkte, die Bleiche oder ähnliches enthalten.** Durch das Eindringen von korrosiven oder leitenden Flüssigkeiten erhöht sich das Risiko einer Überhitzung, eines Brandes und/oder einer Explosion, was zu Verletzungen und Sachschäden führen kann.
- #### 6. Service
- a. **Lassen Sie Ihr Elektrowerkzeug nur von qualifiziertem Fachpersonal und nur mit Original-Ersatzteilen reparieren.** Damit wird sichergestellt, dass die Sicherheit des Geräts erhalten bleibt.
 - b. **Führen Sie an beschädigten Akkus niemals Wartungsarbeiten durch.** Die Wartung von Akkupacks darf nur vom Hersteller selbst oder autorisierten Dienstleistern durchgeführt werden.

Sicherheitsvorschriften für alle Betriebsarten

- ◆ **Tragen Sie bei der Arbeit mit einer Schlagbohrmaschine einen Gehörschutz.** Lärm kann Gehörschäden verursachen.
- ◆ **Verspannen Sie das Werkzeug vor Gebrauch ordnungsgemäß.** Dieses Werkzeug erzeugt ein hohes Ausgangsdrehmoment. Wenn das Werkzeug während des Betriebs nicht ordnungsgemäß verspannt wird, kann es zu einem Kontrollverlust und dadurch zu Verletzungen kommen.
- ◆ **Halten Sie das Elektrowerkzeug an den isolierten Griffflächen, wenn Arbeiten durchgeführt werden, bei denen das Schneidgerät versteckte Leitungen berühren könnte.**

Der Kontakt des Schneidwerkzeugs mit einer spannungsführenden Leitung kann auch metallene Geräteteile unter Spannung setzen und zu einem elektrischen Schlag führen.

Sicherheitsvorschriften bei Verwendung langer Bohrerbits

- ◆ **Die Arbeitsgeschwindigkeit darf keinesfalls die maximale Drehzahl des Bohreinsatzes überschreiten.** Bei höheren Drehzahlen kann sich das Bohrerbit verbiegen, wenn es sich frei drehen kann, ohne das Werkstück zu berühren, was zu Verletzungen führen kann.
- ◆ **Beginnen Sie beim Bohren immer mit niedriger Drehzahl und so, dass die Bohrerspitze in Kontakt mit dem Werkstück ist.** Bei höheren Drehzahlen kann sich das Bohrerbit verbiegen, wenn es sich frei drehen kann, ohne das Werkstück zu berühren, was zu Verletzungen führen kann.
- ◆ **Üben Sie Druck nur in direkter Linie mit dem Bit und nicht übermäßig stark aus.** Bits können sich verbiegen, was zu einem Bruch oder Kontrollverlust und dadurch zu Verletzungen führen kann.

Zusätzliche Sicherheitshinweise für Bohrschrauber/Schlagbohrer

- ◆ **Sichern Sie das Werkstück zum Beispiel mit Einspannvorrichtungen auf einer stabilen Plattform.** Das Werkstück ist instabil, wenn es mit der Hand oder dem Körper abgestützt wird, was zum Verlust der Kontrolle führen kann.
- ◆ **Zubehör und Werkzeug können während des Betriebs heiß werden.** Tragen Sie beim Umgang damit Handschuhe, wenn wärmeerzeugende Anwendungen wie das Bohren in Metall durchgeführt werden.
- ◆ **Luftöffnungen decken häufig bewegliche Teile ab und sollten freigehalten werden.** Lose sitzende Kleidung, Schmuck oder lange Haare können sich in den beweglichen Teilen verfangen.
- ◆ **Tragen Sie eine Schutzbrille oder anderen Augenschutz.** Beim Hämmer- und Bohrbetrieb werden Späne in die Luft befördert. Fliegende Partikel können zu Augenverletzungen führen.
- ◆ **Tragen Sie bei der Arbeit mit einer Schlagbohrmaschine einen Gehörschutz.** Lärm kann Gehörschäden verursachen.
- ◆ **Benutzen Sie die mit dem Werkzeug gelieferten Zusatzgriffe.** Der Verlust der Kontrolle kann Verletzungen verursachen.
- ◆ **Verwenden Sie dieses Werkzeug nicht über längere Zeit.** Durch das Werkzeug verursachte Vibrationen können für Ihre Hände und Arme schädlich sein. Tragen Sie Handschuhe als zusätzlichen Dämpfer und legen Sie häufig Pausen ein, um den Schwingungen nicht zu lange Zeit ausgesetzt zu sein.

Zusätzliche Sicherheitshinweise für Elektrowerkzeuge



Warnung! Zusätzliche Sicherheitshinweise für Schlagbohrer

- ◆ **Verwenden Sie die mitgelieferten Zusatzgriffe.** Der Verlust der Kontrolle kann Verletzungen verursachen.
- ◆ **Halten Sie das Elektrowerkzeug an den isolierten Griffflächen, wenn Arbeiten durchgeführt werden, bei denen das Schneidgerät versteckte Leitungen berühren könnte.** Der Kontakt des Schneidwerkzeugs mit einer spannungsführenden Leitung kann auch metallene Geräteteile unter Spannung setzen und zu einem elektrischen Schlag führen.
- ◆ **Halten Sie das Elektrowerkzeug an den isolierten Griffflächen, wenn Arbeiten durchgeführt werden, bei denen das Gerät versteckte Leitungen berühren könnte.** Der Kontakt mit stromführenden Leitungen kann auch offen liegende Metallteile am Gerät unter Strom setzen und zu einem Stromschlag führen.
- ◆ **Sichern Sie das Werkstück zum Beispiel mit Einspannvorrichtungen auf einer stabilen Plattform.** Das Werkstück wird instabil, wenn es mit der Hand oder dem Körper abgestützt wird, was zum Verlust der Kontrolle führen kann.
- ◆ **Bevor Sie in Wände, Böden oder Decken bohren, überprüfen Sie die Lage von Kabeln und Rohren.**
- ◆ **Vermeiden Sie es, die Spitze eines Bohrers unmittelbar nach dem Bohren zu berühren, da diese heiß werden kann.**
- ◆ **Die bestimmungsgemäße Verwendung ist in dieser Betriebsanleitung beschrieben.** Das Verwenden anderer als der in dieser Anleitung empfohlenen Vorsatzgeräte und Zubehörteile oder die Ausführung von Arbeiten mit diesem Elektrowerkzeug, die nicht der bestimmungsgemäßen Verwendung entsprechen, kann zu Unfallgefahren oder Sachschäden führen.

Sicherheit anderer Personen

- ◆ **Dieses Werkzeug darf nicht von Personen (einschließlich Kindern) mit eingeschränkten körperlichen, sensorischen oder geistigen Fähigkeiten oder mangelnder Erfahrung und Wissen in Bezug auf dessen Gebrauch bedient werden, es sei denn, sie werden bei der Verwendung des Werkzeugs von einer erfahrenen Person beaufsichtigt oder angeleitet.**
- ◆ **Kinder müssen beaufsichtigt werden, um sicherzustellen, dass sie nicht mit dem Gerät spielen.**

Restrisiken

Beim Gebrauch dieses Werkzeugs verbleiben zusätzliche Restrisiken, die möglicherweise nicht in den Sicherheitshinweisen genannt werden.

Diese Risiken bestehen beispielsweise bei Missbrauch oder längerem Gebrauch.

Auch bei der Einhaltung der entsprechenden Sicherheitsvorschriften und der Verwendung aller Sicherheitsgeräte bestehen weiterhin bestimmte Restrisiken.

Diese sind:

- ◆ Verletzungen, die durch das Berühren von sich drehenden/bewegenden Teilen verursacht werden.
- ◆ Verletzungen, die durch das Austauschen von Teilen, Sägeblättern oder Zubehör verursacht werden.
- ◆ Verletzungen, die durch längeren Gebrauch des Werkzeugs verursacht werden. Legen Sie bei längerem Gebrauch regelmäßige Pausen ein.
- ◆ Gehörschäden.
- ◆ Gesundheitsrisiken durch das Einatmen von Staub beim Gebrauch des Geräts (z. B. bei Holzarbeiten, insbesondere Eiche, Buche und Pressspan.)

Geräusche und Vibrationen

Die in den Abschnitten „Technische Daten“ und „EU-Konformitätserklärung“ angegebenen Werte für die Geräusch- und Vibrationsemissionen wurden mit einer Standard-Prüfmethode nach EN 62841 ermittelt und können zum Vergleich verschiedener Geräte herangezogen werden. Außerdem können die Werte für die Geräusch- und Vibrationsemissionen bei Verwendung des Geräts mit Hilfe dieser Werte schon im Voraus eingeschätzt werden.

Warnung! Die bei Verwendung des Geräts auftretenden Geräusch- und Vibrationsemissionen hängen von der Art des Gerätegebrauchs ab und können dementsprechend von dem angegebenen Wert abweichen. Gegebenenfalls kann die Vibration über dem angegebenen Wert liegen.

Für die Ermittlung der Vibrationsbelastung müssen die tatsächlichen Einsatzbedingungen und Verwendungen des Geräts während des gesamten Arbeitsgangs berücksichtigt werden, einschließlich der Zeiten, wenn das Gerät nicht verwendet oder im Leerlauf betrieben wird. Diese Werte werden benötigt, um die gemäß 2002/44/EG erforderlichen Sicherheitsmaßnahmen zum Schutz von Personen festlegen zu können.

Etiketten am Werkzeug

Am Werkzeug sind die folgenden Warnsymbole inkl. Datumscode angebracht:



Warnung! Lesen Sie vor Gebrauch die Anleitung. Andernfalls besteht Verletzungsgefahr.



Blicken Sie nicht in die eingeschaltete Leuchte

Zusätzliche Sicherheitshinweise für Akkus und Ladegeräte

Akkus

- ◆ Keinesfalls versuchen, den Akku zu öffnen.
- ◆ Achten Sie darauf, dass der Akku nicht mit Wasser in Berührung kommt.
- ◆ Nicht bei Temperaturen über 40 °C lagern.
- ◆ Laden Sie den Akku ausschließlich bei Umgebungstemperaturen zwischen 10 °C und 40 °C.
- ◆ Verwenden Sie ausschließlich das mitgelieferte Ladegerät.
- ◆ Bei der Entsorgung von Akkus oder Batterien die Hinweise im Abschnitt „Umweltschutz“ beachten.



Nicht versuchen, beschädigte Akkus aufzuladen.

- ◆ Der Akku darf nicht durch mechanische Krafteinwirkung oder Belastungen beschädigt oder verformt werden. Andernfalls besteht Verletzungs- und Brandgefahr.
- ◆ Unter extremen Bedingungen können Akkus undicht werden. Wenn Sie feststellen, dass aus dem Akku Flüssigkeit austritt, wischen Sie diese vorsichtig mit einem Tuch ab. Vermeiden Sie Hautkontakt.
- ◆ Beachten Sie nach Haut- oder Augenkontakt die folgenden Hinweise.

Warnung! Batteriesäure kann Sach- oder Personenschäden verursachen. Spülen Sie die Säure bei Hautkontakt sofort mit Wasser ab. Suchen Sie einen Arzt auf, wenn sich auf der Haut Rötungen, Reizungen oder andere Irritationen zeigen. Spülen Sie das Auge nach Augenkontakt sofort mit sauberem Wasser aus und suchen Sie einen Arzt auf.

Ladegeräte

Ihr Ladegerät ist für eine bestimmte Spannung ausgelegt. Überprüfen Sie immer, dass die Netzspannung der Spannung auf dem Typenschild entspricht.

Warnung! Versuchen Sie niemals, das Ladegerät durch einen normalen Netzstecker zu ersetzen.

- ◆ Verwenden Sie Ihr BLACK+DECKER-Ladegerät nur, um den mit dem Elektrowerkzeug gelieferten Akku aufzuladen. Andere Akkus können platzen und Sachschäden oder Verletzungen verursachen.
- ◆ Versuchen Sie keinesfalls, nicht aufladbare Batterien zu laden.
- ◆ Ist das Netzkabel beschädigt, muss es durch den Hersteller oder eine Vertragswerkstatt ausgetauscht werden, um eine mögliche Gefährdung zu vermeiden.
- ◆ Lassen Sie beschädigte Kabel sofort austauschen.
- ◆ Achten Sie darauf, dass das Ladegerät nicht mit Wasser in Berührung kommt.
- ◆ Öffnen Sie das Ladegerät nicht.
- ◆ Durchstechen Sie das Ladegerät nicht.
- ◆ Während das Gerät/der Akku geladen wird, muss auf ausreichende Belüftung geachtet werden.



Das Ladegerät ist nicht für den Einsatz im Freien vorgesehen.



Lesen Sie vor der Verwendung die Betriebsanleitung.

Elektrische Sicherheit



Das Ladegerät ist schutzisoliert, daher ist keine Erdung erforderlich. Überprüfen Sie immer, dass die Netzspannung der Spannung auf dem Typenschild entspricht. Versuchen Sie niemals, das Ladegerät durch einen normalen Netzstecker zu ersetzen.

- ◆ Bei einer Beschädigung des Netzkabels muss dieses durch den Hersteller oder eine BLACK+DECKER Vertragswerkstatt ausgetauscht werden, um mögliche Gefahren zu vermeiden.

Merkmale

Dieses Werkzeug verfügt über einige oder alle der folgenden Merkmale.

1. Drehzahl-Regelschalter
2. Rechts-/Links-Schieber
3. Drehmomenteinstellung
4. Schnellspannfutter
5. Zweiganggetriebe
6. LED-Arbeitsleuchte
7. Gürtelhaken (für alle Geräte erhältlich)
8. Akku
9. Akku-Löseknopf

Montage

Verwendung

Warnung! Beschleunigen Sie den Arbeitsvorgang nicht mit Gewalt. Vermeiden Sie eine Überlastung.

Aufladen des Akkus (Abb. A1, A2)

Der Akku muss vor dem ersten Gebrauch geladen werden sowie immer dann, wenn bei zuvor einfach durchzuführenden Arbeiten keine ausreichende Leistung erzielt wird. Der Akku kann beim Laden warm werden; das ist normal und deutet nicht auf ein Problem hin.

Warnung! Laden Sie den Akku bei Temperaturen unter 10 °C oder über 40 °C auf. Empfohlene Ladetemperatur: etwa 24 °C.

Hinweis: Das Ladegerät lädt keine Akkus, wenn die Zellentemperatur unter ca. 10 °C oder über 40 °C liegt. Der Akku sollte im Ladegerät verbleiben, dann beginnt das Ladegerät automatisch zu laden, wenn die Zellentemperatur sich auf einen geeigneten Wert erhöht oder verringert hat.

- ◆ Stecken Sie das Ladegerät (10) in eine normale 230 Volt/50 Hz-Steckdose.

- ◆ Schieben Sie den Akku (8) wie in Abbildung A1, A2 gezeigt in das Ladegerät.

Die LED (10a) zeigt daraufhin durch Blinken an, dass der Akku geladen wird.

Der Abschluss des Ladevorgangs wird dadurch angezeigt, dass die LED (10a) dauerhaft leuchtet. Der Akku ist vollständig aufgeladen und kann jetzt verwendet oder in der Ladestation gelassen werden.

Warnung! Brandgefahr. Wenn Sie den Akku vom Ladegerät trennen, ziehen Sie zuerst das Ladegerät aus der Steckdose und trennen Sie dann den Akku vom Ladegerät.

Diagnose des Ladegeräts

Das Ladegerät ist so konzipiert, dass es bestimmte Probleme erkennen kann, die am Akku oder der Stromquelle auftreten können. Probleme werden dadurch angezeigt, dass eine LED in verschiedenen Sequenzen blinkt.

Fehlerhafter Akku

Das Ladegerät kann einen schwachen oder beschädigten Akku erkennen. Die LED blinkt mit dem auf dem Etikett angegebenen Muster. Wenn Sie dieses Blinkmuster sehen, das einen fehlerhaften Akku anzeigt, setzen Sie den Ladevorgang nicht fort. Bringen Sie ihn zu einem Kundendienstzentrum oder einer Recycling-Sammelstelle.

Verzögerung bei heißem/kaltem Akku

Wenn das Ladegerät einen extrem heißen oder kalten Akku erkennt, startet es automatisch eine Verzögerung bei heißem/kaltem Akku, die das Laden verhindert, bis der Akku eine normale Temperatur erreicht hat. Danach wechselt das Ladegerät automatisch in den Akkulademodus. Diese Funktion sorgt für eine maximale Lebensdauer des Akkus. Das Licht blinkt mit dem auf dem Etikett angegebenen Muster.

Akku im Ladegerät lassen

Sie können den Akku auch im Ladegerät belassen. In diesem Fall leuchtet die LED-Anzeige dauerhaft. Das Ladegerät hält den Akku in einem vollständig geladenen Zustand.

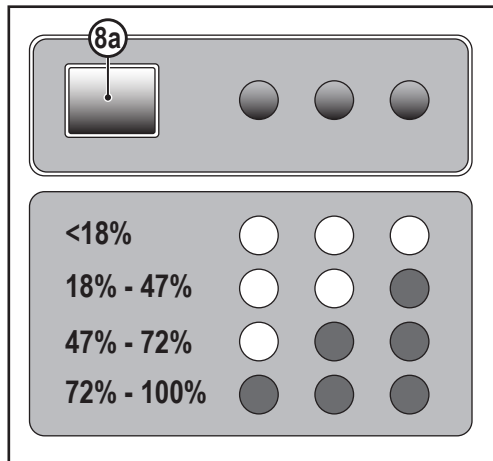
Wichtige Hinweise zum Aufladen

- ◆ Die längste Lebensdauer und die beste Leistung werden erhalten, wenn der Akku dann geladen wird, wenn die Lufttemperatur zwischen 18 °C und 24 °C liegt. Laden Sie den Akku NICHT bei einer Lufttemperatur unter +4,5 °C oder über +40 °C. Dies ist wichtig, da so schwere Schäden am Akku verhindert werden.
- ◆ Ladegerät und Akku können während des Ladevorgangs warm werden. Dies ist ein normaler Umstand und weist nicht auf ein Problem hin. Um das Abkühlen des Akkus nach dem Gebrauch zu erleichtern, platzieren Sie das Ladegerät oder den Akku nicht in einer warmen Umgebung wie in einem Metallschuppen oder einem nicht isolierten Anhänger.
- ◆ Wenn der Akku nicht richtig aufgeladen wird:

- ◆ Überprüfen Sie die Funktionsfähigkeit der Steckdose durch Einstecken einer Lampe oder eines anderen Geräts;
- ◆ Überprüfen Sie, ob die Steckdose mit einem Lichtschalter kombiniert ist, der den Strom abschaltet, wenn Sie das Licht ausschalten;
- ◆ Bringen Sie Ladegerät und Akku an einen Ort, wo die Umgebungstemperatur ca. 18 °C bis 24 °C beträgt;
- ◆ Wenn die Ladeprobleme bestehen bleiben, bringen Sie Werkzeug, Akku und Ladegerät zu Ihrer lokalen Vertragswerkstatt.
- ◆ Der Akku sollte aufgeladen werden, wenn das Werkzeug nicht mehr die volle Leistung bringt. Betreiben Sie das Werkzeug in diesem Fall NICHT WEITER. Befolgen Sie die Anweisungen bezüglich des Aufladens. Sie können auch jederzeit einen teilweise verbrauchten Akku aufladen, ohne dass dies negative Auswirkungen auf den Akku hat.
- ◆ Leitende Fremdmaterialien, wie z. B. Schleifstaub, Metallspäne, Stahlwolle, Aluminiumfolie oder die Ansammlung von Metallpartikeln von den Hohlräumen des Ladegeräts fernhalten. Ziehen Sie den Netzstecker des Ladegeräts vor dem Reinigen aus der Steckdose.
- ◆ Das Ladegerät nicht einfrieren oder in Wasser oder andere Flüssigkeiten tauchen.

Anzeige für Ladezustand des Akkus (Abb. B)

Der Akku besitzt eine Ladestandsanzeige, mit der die Lebensdauer der Batterie wie in Abbildung B dargestellt schnell ermittelt werden kann. Durch Drücken der Ladestands-Taste (8a) können Sie die im Akku verbleibende Ladung wie in Abbildung B dargestellt anzeigen.



Einsetzen und Entfernen des Akkus aus dem Werkzeug (Abb. C)

Warnung! Der Verriegelungsknopf (2) muss eingerastet sein, damit keine unbeabsichtigte Bedienung des Ein-/Aus-Schalters vor dem Anbringen bzw. Entfernen des Akkus erfolgen kann.

Einsetzen des Akkus:

- ◆ Setzen Sie den Akku (8) in das Werkzeug ein, bis ein Klicken zu hören ist (Abb. C)

Entfernen des Akkus aus dem Werkzeug (Abb. C)

- ◆ Drücken Sie den Akku-Löseknopf (9) wie in (Abb. C) gezeigt und ziehen Sie den Akku aus dem Werkzeug.

Gürtelhaken (Abb. D, E)

Warnung! Um die Gefahr schwerer Verletzungen zu mindern, stellen Sie den Rechts-/Links-Schalter in die Verriegelungsposition oder schalten Sie das Gerät aus und entfernen Sie den Akku, bevor Sie Einstellungen vornehmen oder Anbaugeräte oder Zubehör anbringen oder entfernen. Ungewolltes Anlaufen kann Verletzungen verursachen.

Warnung! Zur Reduzierung der Verletzungsgefahr halten Sie das Werkzeug AUSSCHLIESSLICH an den Gürtelhaken des Werkzeugs (7), um das Werkzeug an einen Arbeitsgürtel zu hängen. Verwenden Sie den Gürtelhaken (7) NICHT zum Festbinden oder Sichern des Werkzeugs an einer Person oder an einem Gegenstand, während dieses verwendet wird. Das Werkzeug NICHT über Kopf aufhängen oder Gegenstände vom Gürtelhaken herunterhängen lassen.

Warnung! Stellen Sie zur Vermeidung von schweren Verletzungen sicher, dass die Schraube (11), die den Gürtelhaken hält, sicher ist.

Hinweis: Verwenden Sie beim Befestigen oder Austauschen des Gürtelhakens (7) nur die mitgelieferte Schraube (11). Stellen Sie sicher, dass die Schraube gut festgezogen ist. Der Gürtelhaken (7) kann an jeder Werkzeugeite einfach mit Hilfe der vorgesehenen Schraube (11) befestigt werden, indem er in die seitlichen Schlitz (13) geschoben wird, damit das Werkzeug für Links- oder Rechtshänder verwendbar ist. Wenn der Haken gar nicht verwendet werden soll, kann er vom Werkzeug abgenommen werden. Um die Position des Gürtelhakens (7) zu ändern, entfernen Sie die Schraube (11), durch die er befestigt ist, und montieren Sie ihn dann an der gegenüberliegenden Seite. Stellen Sie sicher, dass die Schraube (11) gut festgezogen ist.

Betriebsanleitung

Auslöseschalter & Richtungswahlschalter (Abb. F)

- ◆ Die Bohrmaschine wird ein- und ausgeschaltet, indem der Auslöseschalter (1) gedrückt und wieder losgelassen wird. Je tiefer der Auslöseschalter gedrückt wird, umso höher ist die Drehzahl des Bohrers.

- ◆ Der Vor/Zurück-Schaltknopf (2) bestimmt die Drehrichtung und fungiert zudem als Einschaltsperrung.
- ◆ Für die Vorwärtsdrehung lassen Sie den Auslöseschalter los, und schieben Sie den Vor/Zurück-Schaltknopf nach links.
- ◆ Um den Linkslauf auszuwählen, drücken Sie den Drehrichtungsknopf in die entgegengesetzte Richtung.

Hinweis: In der mittleren Stellung des Reglers ist das Werkzeug in der AUS-Stellung verriegelt. Achten Sie darauf, dass der Auslöseschalter entriegelt ist, wenn Sie diesen Regler verstellen.

Drehmomentkontrolle (Abb. G)

Dieses Werkzeug ist mit einem Drehmomenteinstellung (3) ausgestattet, um die Betriebsart auszuwählen und das Drehmoment zum Anziehen von Schrauben einzustellen. Große Schrauben und harte Werkstückmaterialien erfordern ein höheres Drehmoment als kleine Schrauben und weiche Werkstückmaterialien.

- ◆ Um Bohrungen in Holz, Metall oder Kunststoff vorzunehmen, stellen Sie an der Drehmomentvorwahl das Symbol zum Bohren ein.
- ◆ Stellen Sie zum Bohren in Mauerwerk die Drehmomentvorwahl auf das Symbol für die Schlagbohreinstellung.
- ◆ Zum Eindrehen von Schrauben den Einstellring auf die gewünschte Position drehen. Sollten Ihnen die jeweils erforderlichen Einstellungen noch nicht bekannt sein, gehen Sie wie folgt vor:
- ◆ Stellen Sie das niedrigste Drehmoment ein.
- ◆ Ziehen Sie mit dieser Einstellung die erste Schraube fest.
- ◆ Wenn die Einstellung nicht zum gewünschten Ergebnis führt, erhöhen Sie die Drehmomenteinstellung und fahren Sie fort. Wiederholen Sie dies, bis die richtige Einstellung erreicht ist. Verwenden Sie diese Einstellung auch für die übrigen Schrauben.

Schnellspannfutter (Abb. H)

Warnung! Stellen Sie vor dem Anbringen oder Entfernen von Zubehör sicher, dass der Verriegelungsschalter (2) eingerastet ist, um zu verhindern, dass das Werkzeug eingeschaltet wird. So setzen Sie ein Bohrerbit oder ein anderes Zubehörteil ein:

- ◆ Fassen Sie das Werkzeug mit einer Hand und drehen Sie das Spannfutter (4) mit der anderen Hand vom Spannfutterende aus gesehen entgegen dem Uhrzeigersinn.
- ◆ Setzen Sie den Bohreinsatz oder ein anderes Zubehörteil ordnungsgemäß in das Spannfutter ein, und ziehen Sie das Spannfutter durch Drehen im Uhrzeigersinn (mit Blickrichtung vom Spannfutter) wieder fest.

Warnung! Versuchen Sie nicht, Bohrvorsätze (oder anderes Zubehör) einzusetzen, indem Sie das Spannfutter vorne fassen und das Gerät einschalten.

Beim Wechseln von Zubehör können Schäden am Spannfutter und Verletzungen auftreten.

Zweiganggetriebe (Abbildung I)

Das Zweiganggetriebe an Ihrem Bohrer ermöglicht den Gangwechsel für eine größere Anpassungsfähigkeit. Zur Auswahl der niedrigen Geschwindigkeit mit hoher Drehzahl (Position 1) schalten Sie das Gerät aus und lassen es auslaufen. Schieben Sie den Gangschalter (5) vom Spannfutter weg. Zur Auswahl der hohen Geschwindigkeit mit niedriger Drehzahl (Position 2) schalten Sie das Gerät aus und lassen es auslaufen.

Schieben Sie den Gangschalter in Richtung Spannfutter.

Hinweis: Wechseln Sie nicht die Gänge, während das Werkzeug läuft. Bei Problemen beim Gangwechsel prüfen Sie, dass das Zweiganggetriebe entweder komplett eingedrückt oder herausgezogen ist.

Bohren/Schrauben

- ◆ Wählen Sie mithilfe des Vor-/Zurückwahlschalters (2) die Vorwärts- bzw. Rückwärtsdrehung aus.
- ◆ Drücken Sie zum Einschalten des Geräts den Schalter (1). Die Werkzeuggeschwindigkeit hängt davon ab, wie weit Sie den Schalter eindrücken.
- ◆ Lassen Sie zum Ausschalten des Geräts den Schalter los.

Hinweise für optimale Arbeitsergebnisse

Bohren

- ◆ Verwenden Sie nur scharfe Bohrerbits.
- ◆ Unterstützen und sichern Sie Werkstücke angemessen, wie in den Sicherheitshinweisen beschrieben.
- ◆ Verwenden Sie die richtige und erforderliche Sicherheitsausrüstung, wie in den Sicherheitshinweisen beschrieben.
- ◆ Sichern Sie den Arbeitsbereich und halten Sie ihn aufgeräumt, wie in den Sicherheitshinweisen beschrieben.
- ◆ Lassen Sie den Bohrer sehr langsam und nur mit leichtem Druck laufen, bis das Loch groß genug ist, dass der Bohreinsatz nicht mehr herausrutschen kann.
- ◆ Üben Sie nur parallel zum Bohreinsatz Druck aus. Der ausgeübte Druck darf nicht größer sein als für den Bohrgang erforderlich. Bei zu hohem Druck blockiert der Motor oder der Bohreinsatz wird beschädigt.
- ◆ Halten Sie den Bohrer mit beiden Händen fest, um seine Drehwirkung zu kontrollieren.
- ◆ WENN DER BOHRER BLOCKIERT IST, VERSUCHEN SIE NICHT, IHN DURCH WIEDERHOLTES BETÄTIGEN DES EIN-/AUSSCHALTERS WIEDER ZUM LAUFEN ZU BRINGEN. SCHÄDEN AM BOHRER KÖNNEN DIE FOLGE SEIN.
- ◆ Verringern Sie im letzten Teil des Bohrlochs den Druck und die Geschwindigkeit, um ein Blockieren beim Durchbohren zu vermeiden.

- ◆ Lassen Sie den Motor an, während Sie den Bohrer aus einem gebohrten Loch ziehen. Dadurch wird verhindert, dass der Bohreinsatz einklemmt.
- ◆ Stellen Sie sicher, dass sich der Bohrer über den Schalter ein- und ausschalten lässt.

Bohren in Holz

Löcher in Holz können mit den gleichen Spiralbohrerbits hergestellt werden, die für Metall verwendet werden, oder mit Flachbohrerbits. Die Bits müssen scharf sein und sollten beim Bohren häufig herausgezogen werden, um Späne aus den Rillen zu entfernen.

Bohren in Metall

Verwenden Sie beim Bohren in Metall ein Schneidöl. Die Ausnahmen sind Gusseisen und Messing, die trocken gebohrt werden sollten. Die am besten geeigneten Schneidschmierstoffe sind sulfuriertes Schneidöl oder Schmalzöl.

Bohren in Mauerwerk

Stellen Sie zum Bohren in Mauerwerk die Drehmomentvorwahl (3) auf die Schlagbohreinrichtung, indem Sie das entsprechende Symbol an der Markierung ausrichten. Schieben Sie den Geschwindigkeitsregler (5) nach vorn (zweiter Gang).

Eindreihen von Schrauben

- ◆ Verwenden Sie stets Schraubendrehereinsätze der richtigen Art und Größe.
- ◆ Sollten beim Festziehen von Schrauben Schwierigkeiten auftreten, verwenden Sie etwas Spülmittel oder Seife als Schmiermittel.
- ◆ Halten Sie das Werkzeug und das Schraubendreherbit stets in gerader Linie zur Schraube.

Fehlerbehebung

Problem	Mögliche Ursache	Mögliche Lösung
Gerät startet nicht.	Akku nicht aufgeladen.	Ladeanforderungen für den Akku überprüfen
Akku wird nicht aufgeladen.	Das Ladegerät ist nicht mit dem Stromnetz verbunden. Umgebungstemperatur zu hoch oder zu niedrig.	Ladegerät an eine funktionierende Steckdose anschließen. Bringen Sie das Ladegerät und den Akku an einen Ort, der eine Umgebungstemperatur von über 4,5°C und unter +40,5°C aufweist.
Das Gerät schaltet sich unerwartet aus.	Der Akku hat seine thermische Belastungsgrenze erreicht. Akku ist entladen. (Um die Lebensdauer des Akkus zu maximieren, wurde er so konzipiert, dass er sich sofort abschaltet, wenn die Ladung aufgebraucht ist)	Lassen Sie den Akku abkühlen. Bringen Sie ihn am Ladegerät an, so dass er aufgeladen wird.

Wartung

Ihr BLACK+DECKER-Elektrowerkzeug wurde für langfristigen Betrieb mit minimalem Wartungsaufwand konstruiert. Ein dauerhafter, einwandfreier Betrieb setzt sorgfältige Pflege und regelmäßige Reinigung voraus. Das Ladegerät benötigt keine Wartung, es sollte jedoch regelmäßig gereinigt werden.

Warnung! Bevor Sie Wartungsarbeiten am Werkzeug durchführen, nehmen Sie den Akku aus dem Werkzeug. Ziehen Sie vor dem Reinigen des Ladegeräts den Netzstecker.

- ◆ Reinigen Sie regelmäßig die Lüftungsschlitze des Werkzeugs und des Ladegeräts mit einer weichen Bürste oder einem trockenen Tuch.
- ◆ Reinigen Sie das Motorgehäuse regelmäßig mit einem feuchten Tuch. Verwenden Sie keine scheuernden Reinigungsmittel oder Reinigungsmittel auf Lösungsmittelbasis.
- ◆ Öffnen Sie das Spannfutter regelmäßig und klopfen Sie es aus, um Staub aus dem Inneren zu entfernen.

Umweltschutz



Getrennte Entsorgung. Produkte und Akkus mit diesem Symbol dürfen nicht mit dem normalen Hausmüll entsorgt werden.

Produkte und Akkus enthalten Materialien, die wiederverwertet werden können, um den Bedarf an Rohstoffen zu verringern. Bitte recyceln Sie elektrische Produkte und Akkus gemäß den örtlichen Bestimmungen. Weitere Informationen finden Sie auf www.2helpU.com

Technische Daten

		BLD683 Typ 1	
Spannung	V _{DC}	18	
Leerlaufdrehzahl	Min ⁻¹	0 - 450 / 0 - 1800	
Max. Drehmoment	Nm	50	
Bohrfutterspannweite	mm	2-13	
Max. Bohrtiefe in Stahl/Holz/Mauerwerk	mm	13/30/10	
Gewicht	kg	1,1 kg (ohne Akku)	

Ladegerät	905902**		N517390
Eingangsspannung	V _{AC}	230	230
Ausgangsspannung	V _{DC}	18	18
Strom	mA	400	1000
Geschätzte Ladedauer	Stunden	3 - 6,5	1,5 - 2,5

Akku		BDL1518*	BDL2018*	BDL2518*
Spannung	V _{DC}	18	18	18

Akku		BDL1518*	BDL2018*	BDL2518*
Kapazität	Ah	1,5	2,0	2,5
Typ		Li-Ionen	Li-Ionen	Li-Ionen

Schalldruckpegel gemäß EN 62841:Schalldruck (L_{pA}) 92 dB(A), Unsicherheitsfaktor (K) 5 dB(A)Schalleistung (L_{WA}) 100 dB(A), Unsicherheitsfaktor (K) 5 dB(A)**Gesamtvibrationswerte (Triax-Vektorsumme) gemäß EN 62841:**Bohren in Beton ($a_{h,D}$) 16,8 m/s², Unsicherheitsfaktor (K) 1,5 m/s²Bohren in Metall ($a_{h,D}$) 2,3 m/s², Unsicherheitsfaktor (K) 1,5 m/s²**EU-Konformitätserklärung
MASCHINENRICHTLINIE**

BLD683 – Schlagbohrer

Black & Decker erklärt, dass die unter „Technische Daten“ beschriebenen Geräte übereinstimmen mit:

2006/42/EC, EN 62841-1:2015+A11:2022, EN 62841-2-1:2018+A11:2019+A1:2022+A12:2022.

Diese Produkte entsprechen außerdem den Richtlinien 2014/30/EU und 2011/65/EU. Weitere Informationen erhalten Sie von Black & Decker unter der folgenden Adresse. Diese befindet sich auch auf der Rückseite dieser Anleitung.

Der Unterzeichnete ist verantwortlich für die Zusammenstellung der technischen Daten und gibt diese Erklärung im Namen von Black & Decker ab.

Patrick Diepenbach

General Manager, Benelux BLACK +DECKER, Richard-Klinger-Strasse 11, 65510 Idstein, Deutschland
5. Oktober 2024

Garantie

Black & Decker vertraut auf die Qualität der eigenen Geräte und bietet dem Käufer eine außergewöhnliche Garantie von 24 Monaten ab Kaufdatum. Diese Garantie versteht sich unbeschadet der gesetzlichen Gewährleistungsansprüche und schränkt diese keinesfalls ein. Diese Garantie gilt innerhalb der Staatsgebiete der Mitgliedstaaten der Europäischen Union und der Europäischen Freihandelszone und des Vereinigten Königreichs.

Zur Inanspruchnahme dieser Garantie muss sie den allgemeinen Geschäftsbedingungen von Black & Decker entsprechen und dem Verkäufer bzw. der Vertragswerkstatt ist ein Kaufnachweis vorzulegen.

Die Bedingungen für die 2-jährige Garantie von Black&Decker und den Standort Ihrer nächstgelegenen Vertragswerkstatt finden Sie im Internet unter www.2helpU.com oder indem Sie sich an die lokale Black&Decker-Niederlassung wenden, deren Adresse Sie in dieser Anleitung finden.

Ihr neues Black & Decker Produkt können Sie auf unserer Website unter www.blackanddecker.eu registrieren. Dort erhalten Sie auch Informationen über neue Produkte und Sonderangebote.

(Traduction des instructions initiales)

Utilisation prévue

Votre perceuse à percussion BLACK+DECKER BLD683 a été conçue pour visser et percer le bois, le métal et les matériaux de maçonnerie. Cet outil est destiné à un usage grand public uniquement.

Consignes de sécurité**Avertissements de sécurité générale propres aux outils électriques**

Avertissement ! Veuillez à lire tous les avertissements sur la sécurité, toutes les instructions, toutes les illustrations et toutes les spécifications fournies avec cet outil électrique. Le non-respect des avertissements et des instructions listés ci-dessous peut occasionner des décharges électriques, des incendies et/ou de graves blessures.

Conservez tous les avertissements et toutes les instructions afin de pouvoir vous y référer dans le futur. Le terme « outil électrique » mentionné dans tous les avertissements listés ci-dessous fait référence à vos outils électriques branchés sur secteur (avec fil) ou fonctionnant sur pile ou batterie (sans fil).

1. **Sécurité de la zone de travail**
 - a. **Maintenez la zone de travail propre et bien éclairée.**
Les zones sombres ou encombrées sont propices aux accidents.
 - b. **N'utilisez pas d'outils électriques dans un environnement présentant des risques d'explosion ou en présence de liquides, gaz ou poussières inflammables.** Les outils électriques créent des étincelles qui peuvent enflammer les poussières et les fumées.
 - c. **Maintenez les enfants et les autres personnes à l'écart quand vous utilisez un outil électrique.** Toute distraction peut vous faire perdre le contrôle de l'outil.
2. **Sécurité électrique**
 - a. **Les prises des outils électriques doivent correspondre à la prise de courant murale.**

- Ne modifiez jamais la prise d'aucune sorte. N'utilisez aucun adaptateur avec des outils électriques reliés à la terre.** L'utilisation de prises d'origine et de prises murales appropriées permet de réduire le risque de décharge électrique.
- b. **Évitez tout contact physique avec des surfaces reliées à la terre comme des tuyaux, des radiateurs, des fours et des réfrigérateurs par exemple.** Il y a sinon un risque accru de décharge électrique si votre corps est lui-même relié à la terre.
 - c. **N'exposez pas les outils électriques à la pluie, ni à l'humidité.** Le risque de décharge électrique augmente si de l'eau pénètre dans un outil électrique.
 - d. **Ne tirez pas sur le cordon d'alimentation. N'utilisez jamais le cordon pour transporter, tirer ou débrancher l'outil électrique. Maintenez le cordon à l'écart de la chaleur, des substances grasses, des bords tranchants ou des pièces mobiles.** Les cordons endommagés ou emmêlés augmentent les risques de décharges électriques.
 - e. **Si vous utilisez un outil électrique à l'extérieur, utilisez une rallonge homologuée pour les travaux en extérieur.** L'utilisation d'une rallonge électrique homologuée pour les travaux en extérieur réduit le risque de décharge électrique.
 - f. **Si l'utilisation d'un outil électrique dans un endroit humide est inévitable, utilisez une alimentation électrique protégée par un disjoncteur différentiel à courant résiduel (DDR).** L'utilisation d'un DDR réduit le risque de décharge électrique.
3. **Sécurité des personnes**
 - a. **Restez vigilant, surveillez ce que vous faites et faites preuve de bon sens lorsque vous utilisez un outil électrique. N'utilisez pas d'outils électriques si vous êtes fatigué ou sous l'influence de drogue, d'alcool ou de médicaments.** Tout moment d'inattention pendant l'utilisation d'un outil électrique peut engendrer de graves blessures.
 - b. **Veillez à toujours porter des équipements de protection individuelle.** Les équipements de protection individuelle comme les protections oculaires, les masques à poussière, les chaussures de sécurité antidérapantes, les casques et/ou les protections auditives réduisent le risque de blessures s'ils sont utilisés à bon escient.
 - c. **Empêchez tout démarrage intempestif. Assurez-vous que l'interrupteur est sur la position Arrêt avant de raccorder l'outil à l'alimentation électrique et/ou au bloc-batterie ou avant de ramasser ou de transporter l'outil.** Le fait de transporter les outils électriques le doigt sur l'interrupteur ou d'alimenter les outils électriques dont l'interrupteur est déjà en position de marche augmente le risque d'accidents.
 - d. **Retirez toutes les clés ou pinces de réglage avant de mettre l'outil en marche.** Une clé ou une pince restée fixée sur une pièce rotative de l'outil électrique peut engendrer des blessures.
 - e. **Ne vous penchez pas. Gardez les pieds bien ancrés au sol et conservez votre équilibre en permanence.** Cela permet de mieux maîtriser l'outil électrique en cas de situations imprévues.
 - f. **Portez des vêtements appropriés. Ne portez aucuns vêtements amples, ni bijoux. Gardez vos cheveux, vos vêtements et vos gants à l'écart des pièces mobiles.** Les vêtements amples, les bijoux ou les cheveux longs peuvent être happés par les pièces mobiles.
 - g. **Si vous disposez de dispositifs pour le raccordement d'un extracteur de poussière ou d'installations pour la récupération, assurez-vous qu'ils sont correctement raccordés et utilisés.** L'utilisation de dispositifs récupérateurs de poussières réduit les risques liés aux poussières.
 - h. **Ne pensez pas être familiarisé avec l'outil après l'avoir utilisé à de nombreuses reprises, au point de ne plus rester vigilant et d'en oublier les consignes de sécurité.** Toute action imprudente peut engendrer de graves blessures en une fraction de seconde.
 4. **Utiliser et entretenir un outil électrique**
 - a. **Respectez la capacité de l'outil. Utilisez l'outil électrique adapté pour le travail à réaliser.** Un outil adapté fonctionne mieux, de façon plus sûre et à la cadence pour laquelle il a été conçu.
 - b. **N'utilisez pas l'outil électrique si son interrupteur ne permet pas de l'allumer ou de l'éteindre.** Tout appareil électrique qui ne peut plus être commandé par son interrupteur est dangereux et doit être réparé.
 - c. **Retirez le bloc-batterie de l'outil, s'il est amovible et/ou activez tout dispositif de coupure de la batterie existant avant de supprimer un bourrage, de procéder à des réglages, de remplacer un accessoire, de nettoyer ou de ranger les outils électriques.** Ces mesures de sécurité préventives réduisent le risque de démarrer l'outil électrique par accident.
 - d. **Rangez les outils électriques non utilisés hors de portée des enfants et ne laissez aucune personne ne connaissant pas ces outils ou leurs instructions d'utilisation les faire fonctionner.** Les outils électriques peuvent être dangereux entre des mains inexpérimentées.
 - e. **Entretenez vos outils électriques et leurs accessoires. Vérifiez que les pièces mobiles sont alignées correctement et qu'elles ne sont pas coincées. Vérifiez qu'aucune pièce n'est cassée et contrôlez l'absence de toute autre condition qui pourrait nuire au bon fonctionnement de l'outil. En cas de dommage, faites réparer l'outil électrique avant de le réutiliser.**

De nombreux accidents sont provoqués par des outils électriques mal entretenus.

- f. **Maintenez les organes de coupe affûtés et propres.** Des organes de coupe bien entretenus et dont le tranchant est affûté sont moins susceptibles de rester coincés et ils sont plus faciles à contrôler.
 - g. **Utilisez l'outil électrique, les accessoires et les embouts d'outils conformément à ces instructions, en tenant compte des conditions de travail et de la tâche à effectuer.** L'utilisation d'un outil électrique à d'autres fins que celles pour lesquelles il a été prévu peut entraîner des situations dangereuses.
 - h. **Ne modifiez pas l'outil.** Les modifications peuvent réduire l'efficacité des dispositifs de sécurité et augmenter les risques encourus par l'opérateur et/ou les personnes à proximité.
 - i. **Veillez à ce que les poignées et les surfaces de préhension soient sèches et propres, sans trace d'huile ou de graisse.** Des poignées et des surfaces de préhension glissantes peuvent gêner la bonne manipulation de l'outil et/ou conduire à une perte de contrôle.
 - j. **Éloignez les tuyaux et les câbles électriques de la zone de travail avec l'outil.** Pendant l'utilisation, les tuyaux et les câbles électriques pourraient ne plus être visibles et l'outil pourrait les endommager.
5. **Utiliser et entretenir un outil fonctionnant sur batterie**
 - a. **N'effectuez la recharge qu'à l'aide du chargeur spécifié par le fabricant.** Un chargeur adapté pour un type de bloc-batterie peut engendrer un risque d'incendie s'il est utilisé avec un bloc-batterie différent.
 - b. **N'utilisez les outils électriques qu'avec les blocs-batteries qui leur sont dédiés.** L'utilisation d'autres blocs-batteries peut créer un risque de blessures et d'incendie.
 - c. **Lorsque le bloc-batterie n'est pas utilisé, éloignez-le des objets en métal comme les trombones, les pièces de monnaies, les clés, les clous, les vis ou d'autres petits objets métalliques qui pourraient créer un contact entre les deux bornes.** La mise en court-circuit des bornes d'une batterie peut provoquer des brûlures ou un incendie.
 - d. **Dans des conditions extrêmes, du liquide peut être éjecté de la batterie. Évitez tout contact avec ce liquide. En cas de contact accidentel, rincez à l'eau. En cas de contact avec les yeux, consultez en plus un médecin.** Le liquide sortant de la batterie peut provoquer des irritations ou des brûlures.
 - e. **N'utilisez pas un bloc-batterie ou un outil endommagé ou modifié.** Un bloc-batterie endommagé ou modifié peut avoir un comportement imprévisible qui peut entraîner un incendie, une explosion ou à un risque de blessure.

- f. **N'exposez pas le bloc-batterie ou l'outil au feu ou à des températures excessives.** L'exposition au feu ou à des températures dépassant 130 °C peut provoquer une explosion. REMARQUE : La température "130 °C" peut être remplacée par la température "265 °F".
- g. **Respectez les instructions de charge et ne rechargez pas le bloc-batterie ou l'outil en dehors de la une plage de températures spécifiée dans les instructions.** Une charge mal effectuée ou à des températures hors de la plage spécifiée peut endommager le bloc-batterie et augmenter le risque d'incendie.
- h. **N'immergez jamais l'outil ou le bloc-batterie dans de l'eau.** L'immersion dans l'eau augmente le risque de surchauffe, d'incendie et/ou d'explosion qui occasionnerait des blessures et des dégâts matériels.
- i. **N'exposez jamais l'outil ou le bloc-batterie à des liquides corrosifs ou conducteurs, comme de l'eau de mer, des produits chimiques industriels, de la javel ou des produits contenant de la javel, etc.** La pénétration de liquides corrosifs ou conducteurs augmente le risque de blessure et de dégât matériel.

6. Révision/Réparation

- a. **Ne faites réviser/réparer votre outil électrique que par un réparateur qualifié qui n'utilise que des pièces de rechange d'origine.** Cela permet de garantir la sûreté de l'outil électrique.
- b. **Ne réparez jamais des blocs-batteries endommagés.** Les réparations sur les blocs-batteries ne doivent être effectuées que par le fabricant ou l'un de ses prestataires de services agréés.

Consignes de sécurité pour toutes les opérations

- ◆ **Portez des protections auditives pour le perçage à percussion.** L'exposition au bruit peut provoquer la perte de l'ouïe.
- ◆ **Empoignez correctement l'outil avant de l'utiliser.** Cet outil génère un couple élevé et s'il n'est pas correctement tenu, une perte de contrôle pouvant provoquer des blessures est possible.
- ◆ **Tenez l'outil électrique par ses surfaces de préhension isolées lorsque vous effectuez des opérations au cours desquelles l'organe de coupe peut entrer en contact avec des fils électriques cachés.** Tout contact de l'accessoire de coupe avec un fil sous tension peut mettre les parties métalliques exposées de l'outil sous tension et provoquer une décharge électrique à l'utilisateur.

Consignes de sécurité pour l'utilisation de mèches longues

- ◆ **Ne faites jamais fonctionner l'outil plus vite que la vitesse nominale maximum de la mèche.**

À grande vitesse, la mèche peut plier si elle tourne dans le vide, sans être en contact avec l'ouvrage et des blessures sont alors possibles.

- ◆ **Commencez toujours par percer à vitesse lente et avec la pointe de la mèche en contact avec l'ouvrage.** À grande vitesse, la mèche peut plier si elle tourne dans le vide, sans être en contact avec l'ouvrage et des blessures sont alors possibles.
- ◆ **N'exercez qu'une faible pression et toujours dans l'alignement de la mèche.** Les mèches peuvent plier et casser provoquant une perte de contrôle et des blessures.

Avertissements de sécurité supplémentaires propres aux perceuses/visseuses/Perceuses à percussion

- ◆ **Utilisez des pinces ou tout autre moyen pratique pour fixer et soutenir l'ouvrage sur une plateforme stable.** Tenir l'ouvrage à la main ou contre votre corps le rend instable et peut conduire à une perte de contrôle.
- ◆ **Les accessoires et l'outil peuvent devenir chauds pendant l'utilisation.** Portez des gants pour les manipuler si vos travaux génèrent de la chaleur, comme percer du métal par exemple.
- ◆ **Les pièces mobiles disposent souvent d'aérations qui doivent rester dégagées.** Les vêtements amples, les bijoux ou les cheveux longs peuvent être happés par les pièces mobiles.
- ◆ **Portez des lunettes de protection ou une autre protection oculaire.** Les opérations de martelage et de perçage peuvent projeter des éclats. Les particules projetées peuvent occasionner des lésions oculaires permanentes.
- ◆ **Portez des protections auditives pour le perçage à percussion.** L'exposition au bruit peut provoquer la perte de l'ouïe.
- ◆ **Utilisez la/les poignée(s) auxiliaire(s), fournie(s) avec l'outil.** La perte de contrôle peut provoquer des blessures.
- ◆ **N'utilisez pas cet outil de façon prolongée.** Les vibrations engendrées par l'outil peuvent être néfastes pour vos mains et vos bras. Portez des gants pour amortir et limitez l'exposition en faisant régulièrement des pauses.

Avertissements de sécurité supplémentaires propres aux outils électriques



Avertissement ! Avertissements de sécurité supplémentaires propres aux perceuses à percussion

- ◆ **Utilisez les poignées auxiliaires fournies avec l'outil.** La perte de contrôle peut provoquer des blessures.
- ◆ **Tenez l'outil électrique par ses surfaces de préhension isolées lorsque vous effectuez des opérations au cours desquelles l'organe de coupe peut entrer en contact avec des fils cachés.**

Tout contact de l'organe de coupe avec un fil sous tension peut mettre les parties métalliques exposées de l'outil sous tension et provoquer une décharge électrique à l'utilisateur.

- ◆ **Tenez l'outil électrique par ses surfaces de préhension isolées lorsque vous réalisez une opération au cours de laquelle la fixation pourrait entrer en contact avec des fils électriques cachés.** Tout contact d'une fixation avec un fil sous tension peut mettre les parties métalliques exposées de l'outil sous tension et provoquer une décharge électrique à l'utilisateur.
- ◆ **Utilisez des pinces ou tout autre moyen pratique pour fixer et soutenir l'ouvrage sur une plateforme stable.** Tenir l'ouvrage à la main ou contre votre corps le rend instable et peut conduire à une perte de contrôle.
- ◆ Avant de percer les murs, les planchers ou les plafonds, vérifiez l'emplacement des éventuels câbles et tuyaux.
- ◆ Évitez de toucher la pointe de la mèche juste après avoir percé. Elle peut être très chaude.
- ◆ L'utilisation prévue est décrite dans cette présente notice d'utilisation. L'utilisation d'un accessoire ou d'un équipement non spécifié ou l'utilisation de cet outil à d'autres fins que celles recommandées dans la présente notice d'utilisation présentent un risque de blessures et/ou de dommages matériels.

Sécurité des personnes

- ◆ Cet outil n'est pas conçu pour être utilisé par des personnes (y compris des enfants) aux capacités physiques, sensorielles ou intellectuelles réduites ou sans expérience ni connaissances, à moins qu'elles ne soient supervisées ou qu'elles n'aient été formées sur la façon d'utiliser l'outil, par une personne responsable de leur sécurité.
- ◆ Les enfants doivent être surveillés afin de garantir qu'ils ne jouent pas avec l'appareil.

Risques résiduels

Certains risques résiduels autres que ceux mentionnés dans les avertissements sur la sécurité peuvent survenir en utilisant l'outil. Ces risques peuvent être dus à une utilisation incorrecte, une utilisation prolongée, etc.

Malgré le respect de toutes les réglementations pertinentes sur la sécurité et la mise en œuvre de dispositifs de sécurité, certains risques résiduels ne peuvent pas être évités. Ils comprennent :

- ◆ Les blessures dues au contact avec des pièces mobiles/ en rotation.
- ◆ Les blessures dues au changement de pièces, de lames ou d'accessoires.
- ◆ Les blessures dues à l'utilisation prolongée d'un outil. Lorsque vous utilisez un outil quel qu'il soit pendant de longues périodes, veillez à faire des pauses régulières.
- ◆ Les troubles de l'ouïe.

- ◆ Les risques pour la santé dus à l'inhalation des poussières émises pendant l'utilisation de l'outil (exemple : travail avec du bois, surtout le chêne, le hêtre et les panneaux en MDF).

Bruit et vibrations

Les valeurs déclarées pour les vibrations et le bruit émis dans les caractéristiques techniques et la déclaration de conformité ont été mesurées conformément à la méthode de test normalisée établie par la norme EN 62841 et elles peuvent être utilisées pour comparer un outil à un autre. La valeur pour les vibrations et le bruit émis déclarée peut aussi servir pour une évaluation préliminaire à l'exposition.

Avvertissement ! En fonction de la manière dont l'outil est utilisé, la valeur réelle des vibrations et du bruit émis pendant son utilisation peut différer de la valeur déclarée. Le niveau des vibrations peut dépasser le niveau déclaré.

Quand l'exposition aux vibrations est évaluée afin de déterminer les mesures de sécurité requises par la norme 2002/44/CE pour protéger les personnes utilisant régulièrement des outils électriques, l'estimation de l'exposition aux vibrations doit tenir compte des conditions réelles d'utilisation et de la façon dont l'outil est utilisé. Il faut également tenir compte de toutes les composantes du cycle de fonctionnement comme les durées pendant lesquelles l'outil est arrêté et quand il fonctionne au ralenti, ainsi que la durée du déclenchement.

Étiquettes apposées sur l'outil

Les symboles suivants figurent sur l'outil avec le code de date :



Avvertissement ! Afin de réduire le risque de blessures, l'utilisateur doit lire la notice d'utilisation.



Ne regardez pas directement la lampe allumée

Consignes de sécurité supplémentaires propres aux batteries et chargeurs

Batteries

- ◆ Ne tentez de les ouvrir sous aucun prétexte.
- ◆ N'exposez pas la batterie à l'eau.
- ◆ Ne la rangez pas dans des endroits où la température peut dépasser 40 °C.
- ◆ Ne procédez à la charge qu'à une température ambiante comprise entre 10 °C et 40 °C.
- ◆ N'utilisez que le chargeur fourni avec l'outil.
- ◆ Pour la mise au rebut des batteries, respectez les instructions mentionnées à la section "Protection de l'environnement".



N'essayez pas de recharger des batteries endommagées.

- ◆ Ne déformez/n'endommagez pas le bloc-batterie en le perçant ou en le cognant car cela pourrait entraîner des blessures et un incendie.
- ◆ Dans des conditions extrêmes, une batterie peut fuir. Si vous détectez une fuite, utilisez un chiffon pour essuyer le liquide avec précaution. Évitez tout contact avec la peau.
- ◆ En cas de contact avec la peau ou les yeux, suivez les instructions ci-dessous.

Avvertissement ! Le liquide de la batterie peut provoquer des blessures ou des dégâts matériels. En cas de contact avec la peau, rincez immédiatement à l'eau. Si des rougeurs, une douleur ou une irritation se produisent, consultez un médecin. En cas de contact avec les yeux, rincez immédiatement à l'eau et consultez un médecin.

Chargeurs

Votre chargeur a été conçu pour une tension spécifique. Vérifiez toujours que la tension du réseau électrique correspond à la tension mentionnée sur la plaque signalétique.

Avvertissement ! N'essayez jamais de remplacer le module de charge par une prise de courant ordinaire.

- ◆ N'utilisez votre chargeur BLACK+DECKER que pour recharger la batterie fournie avec l'outil. Les autres batteries pourraient exploser et entraîner des blessures et des dommages.
- ◆ Ne tentez jamais de recharger des piles non rechargeables.
- ◆ Si le câble d'alimentation est endommagé, il doit être remplacé par le fabricant ou par un centre d'assistance agréé afin d'éviter les risques éventuels.
- ◆ Faites immédiatement remplacer les cordons endommagés.
- ◆ N'exposez pas le chargeur à l'eau.
- ◆ N'ouvrez pas le chargeur.
- ◆ Ne sondez pas le chargeur.
- ◆ Pour le rechargement, placez l'appareil/outil/batterie dans un endroit correctement aéré.



Le chargeur est destiné à être exclusivement utilisé à l'intérieur.



Lisez la notice avant l'utilisation.

Sécurité électrique



Votre chargeur dispose d'une double isolation, aucune liaison à la terre n'est donc nécessaire. Vérifiez toujours que la tension du réseau électrique correspond à la tension mentionnée sur la plaque signalétique.

N'essayez jamais de remplacer le module de charge par une prise de courant ordinaire.

- ◆ Si le câble d'alimentation est endommagé, il doit être remplacé par le fabricant ou par un centre d'assistance BLACK+DECKER agréé afin d'éviter tout accident.

Caractéristiques

Cet outil dispose de tout ou partie des éléments suivants.

1. Interrupteur variateur de vitesse
2. Curseur de réglage du sens de rotation
3. Bague de réglage du couple
4. Mandrin sans clé
5. Sélecteur double vitesse
6. Éclairage de travail à LED
7. Crochet de ceinture (avec toutes les machins)
8. Batterie
9. Bouton de libération de la batterie

Assemblage

Utilisation

Avertissement ! Laissez l'outil fonctionner à son propre rythme. Ne poussez pas l'outil au-delà de sa capacité.

Recharger la batterie (Fig. A1, A2)

La batterie doit être rechargée avant la première utilisation et chaque fois qu'elle n'apporte plus assez de puissance pour les travaux réalisés sans peine auparavant. La batterie peut devenir chaude pendant la charge. Ce phénomène est normal et n'indique pas un problème.

Avertissement ! Ne rechargez pas la batterie à une température ambiante inférieure à 10 °C ou supérieure à 40 °C. La température recommandée est de 24 °C environ.

Remarque : Le chargeur ne recharge pas la batterie si la température de la cellule est inférieure à environ 10°C ou supérieure à 40°C.

La batterie doit rester dans le chargeur et le chargeur commence automatiquement la charge dès que la température de la cellule remonte ou redescend.

- ◆ Branchez le chargeur (10) dans une prise de courant standard 230 Volts 50 Hz.
- ◆ Glissez le bloc-batterie (8) dans le chargeur, comme illustré par les Fig. A1, A2.

Le voyant (10a) clignote pour indiquer que la batterie est en charge.

La fin de la charge est indiquée par le voyant (10a) restant fixe en continu. Le bloc est alors complètement rechargé et il peut soit être utilisé, soit être laissé branché au chargeur.

Avertissement ! Risque d'incendie. Au moment de retirer la batterie du chargeur, assurez-vous de d'abord débrancher le chargeur de la prise de courant avant de retirer la batterie du chargeur.

Diagnostique du chargeur

Ce chargeur est conçu pour détecter certains problèmes qui peuvent survenir avec les blocs-batteries ou la source d'alimentation. Les problèmes sont signalés par une LED clignotant de différentes manières.

Batterie défectueuse

Le chargeur peut détecter une batterie faible ou endommagée. Le voyant clignote de la façon indiquée sur l'étiquette. Si vous constatez ce clignotement particulier indiquant que la batterie est défectueuse, cessez la charge de la batterie. Renvoyez-la dans un centre d'assistance ou un site de collecte pour recyclage.

Délai Bloc chaud/froid

Lorsque le chargeur détecte que la batterie est trop chaude ou trop froide, il démarre automatiquement un délai Bloc Chaud/Froid, suspendant la charge jusqu'à ce que la batterie se stabilise. Après cela, le chargeur passe automatiquement en mode Charge Bloc. Cette fonctionnalité permet de garantir une durée de vie maximale pour la batterie. Le voyant clignote de la façon indiquée sur l'étiquette.

Laisser la batterie dans le chargeur

Le chargeur et le bloc-batterie peuvent rester raccordés avec le voyant allumé en continu. Le chargeur maintient le bloc-batterie complètement chargé.

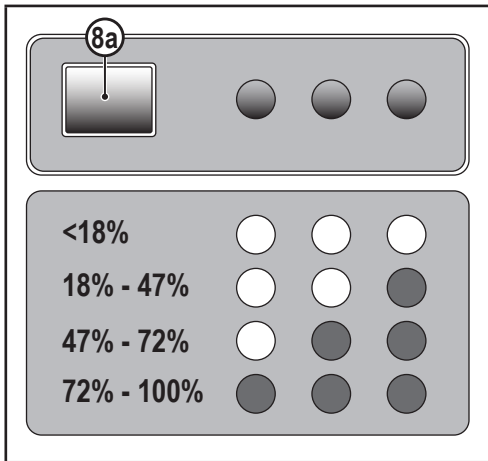
Remarques importantes liées à la charge

- ◆ Une durée de vie plus longue et de meilleures performances peuvent être obtenues si le bloc-batterie est rechargé à une température ambiante comprise entre 18 ° et 24 °C. NE rechargez PAS le bloc-batterie si la température ambiante est inférieure à +4,5 °C ou supérieure à +40 °C. Cette consigne est importante car elle permet d'éviter le grave endommagement du bloc-batterie.
- ◆ Le chargeur et le bloc-batterie peuvent devenir chauds au toucher pendant la charge. C'est normal et cela n'indique pas un problème. Afin de faciliter le refroidissement du bloc-batterie après utilisation, évitez de placer le chargeur ou le bloc-batterie dans un environnement chaud comme une remise métallique ou une remorque non isolée.
- ◆ Si le bloc-batterie ne se recharge pas correctement :
 - ◆ Vérifiez le bon fonctionnement de la prise murale en y branchant une lampe ou un autre appareil ;
 - ◆ Vérifiez que la prise de courant n'est pas reliée à un interrupteur coupant l'alimentation lorsque l'on éteint l'éclairage ;
 - ◆ Déplacez le chargeur et le bloc-batterie dans un endroit où la température ambiante est comprise entre 18 ° et 24 °C environ ;
 - ◆ Si les problèmes de charge persistent, apportez l'outil, le bloc-batterie et le chargeur dans votre centre d'assistance local.

- ◆ Le bloc-batterie doit être rechargé lorsqu'il ne parvient plus à fournir la puissance nécessaire aux opérations qui étaient facilement réalisées auparavant. Cessez d'utiliser l'outil dans ces conditions. Respectez la procédure de charge. Vous pouvez également recharger un bloc déjà utilisé si vous le souhaitez, sans que cela n'affecte le bloc-batterie.
- ◆ Les corps étrangers de nature conductrice comme, notamment et entre autres, les poussières de meulage, les copeaux métalliques, la laine d'acier, les feuilles d'aluminium ou toute autre accumulation de particules métalliques doivent être tenus à distance des cavités du chargeur. Débranchez le chargeur avant de le nettoyer.
- ◆ Ne congélez pas le chargeur et ne l'immergez pas dans l'eau ou dans tout autre liquide.

Témoin du niveau de charge de la batterie (Fig. B)

La batterie intègre un témoin de niveau de charge qui permet de savoir rapidement la charge restante de la batterie, comme illustré par la figure B. En appuyant sur le bouton du témoin de niveau charge (8a) vous pouvez facilement voir le niveau de charge restant dans la batterie, comme illustré par la figure B.



Installer et retirer le bloc-batterie dans l'outil (Fig. C)

Avertissement ! Avant de retirer ou d'installer la batterie, assurez-vous que le bouton de verrouillage (2) est enclenché afin d'empêcher l'actionnement de l'interrupteur.

Pour installer le bloc-batterie :

- ◆ Insérez le bloc-batterie (8) dans l'outil, jusqu'à entendre le clic (Fig. C)

Retirer le bloc-batterie de l'outil (Fig. C)

- ◆ Appuyez sur le bouton de libération de la batterie (9) comme illustré par la Fig. C et tirez sur le bloc-batterie pour le sortir de l'outil.

Crochet de ceinture (Fig. D, e)

Avertissement ! Afin de réduire tout risque de blessures graves, placez le bouton de réglage du sens de rotation sur la position Verrouillé ou éteignez l'outil et retirez le bloc-batterie avant d'effectuer tout réglage ou avant de retirer/installer tout équipement ou accessoire. Un démarrage accidentel peut occasionner des blessures.

Avertissement ! Afin de réduire le risque de blessures graves, n'utilisez le crochet de ceinture (7) QUE pour suspendre l'outil à une ceinture de travail. N'utilisez PAS le crochet de ceinture (7) pour attacher ou fixer l'outil sur une personne ou un objet pendant l'utilisation. NE suspendez PAS l'outil au-dessus de votre tête et NE suspendez AUCUN objet par le crochet de ceinture.

Avertissement ! Afin de réduire le risque de blessures graves, assurez-vous que la vis (11) qui retient le crochet de ceinture est bien fixée.

Remarque : Pour fixer ou déplacer le crochet de ceinture (7), n'utilisez que la vis (11) fournie. Assurez-vous de bien serrer la vis.

Le crochet de ceinture (7) peut être inséré dans les fentes (13) d'un côté ou de l'autre de l'outil et fixé à l'aide de la vis (11) fournie, afin de convenir aux utilisateurs droitiers ou gauchers. Si le crochet n'est pas nécessaire, il peut être retiré de l'outil. Pour déplacer le crochet de ceinture, retirez la vis (11) qui maintient le crochet (7) en place et refixez ce dernier de l'autre côté. Veillez à bien serrer la vis (11).

Notice d'utilisation

Interrupteur à gâchette/Bouton d'inversion du sens de rotation (Fig. F)

- ◆ La perceuse est allumée et éteinte en enfonçant et en relâchant l'interrupteur à gâchette (1). Plus la gâchette est enfoncée, plus la vitesse de la perceuse est rapide.
- ◆ Un bouton de sélection du sens de rotation (2) sert à choisir le sens de rotation de l'outil mais il sert aussi de bouton de verrouillage.
- ◆ Pour sélectionner le sens de rotation avant, relâchez l'interrupteur à gâchette et enfoncez le bouton de sélection du sens de rotation vers la gauche.
- ◆ Pour choisir le sens de rotation inverse, enfoncez le bouton de sélection du sens de rotation dans l'autre sens.

Remarque : La position centrale du bouton de commande permet de verrouiller l'outil à l'arrêt. Avant de changer la position du bouton de sélection, veillez à bien relâcher la gâchette.

Contrôle du couple (Fig. G)

Cet outil est équipé d'une bague de réglage du couple (3) qui permet de sélectionner le mode de fonctionnement et de définir le couple pour le serrage des vis.

Les grandes vis et les matériaux durs nécessitent un couple plus élevé que les petites vis et les matériaux tendres.

- ◆ Pour percer le bois, le métal et le plastique, placez la bague sur le symbole de la position Perçage.
- ◆ Pour percer un matériau maçonnerie, réglez la bague sur la position Perçage par martelage.
- ◆ Pour visser, réglez la bague sur la position voulue. Si vous ne savez pas quel réglage choisir, procédez comme suit :
- ◆ Réglez la bague au couple le plus faible.
- ◆ Serrez la première vis.
- ◆ Si l'embrayage cliquette avant d'avoir atteint le résultat voulu, augmentez le réglage de la bague et continuez à serrer la vis. Répétez l'opération jusqu'à avoir atteint le bon réglage. Utilisez ce réglage pour les vis restantes.

Mandrin sans clé (Fig. H)

Avertissement ! Avant de retirer ou d'installer un accessoire, veillez à ce que le bouton de verrouillage (2) soit enclenché pour éviter l'activation de l'interrupteur.

Pour insérer une mèche ou un autre accessoire :

- ◆ Tenez l'outil d'une main et utilisez l'autre main pour tourner le mandrin (4) dans le sens inverse des aiguilles d'une montre, vue depuis l'extrémité du mandrin.
- ◆ Insérez complètement la mèche ou un autre accessoire dans le mandrin et serrez ce dernier parfaitement en le tournant dans le sens des aiguilles d'une montre, vu depuis l'extrémité du mandrin.

Avertissement ! Ne pas tenter de serrer des mèches (ou tout autre accessoire) en saisissant le mandrin et en mettant l'outil en marche. Le remplacement des accessoires pour entraîner l'endommagement du mandrin et des blessures.

Système de transmission à double plage (Figure I)

Le système de transmission à double plage de votre perceuse vous permet de changer de vitesse pour plus de polyvalence. Pour sélectionner la vitesse lente avec un couple élevé (position 1), éteignez l'outil et attendez qu'il s'arrête.

Faites glisser le sélecteur de vitesse vers l'arrière (5) loin du mandrin. Pour sélectionner la vitesse rapide avec un couple faible (position 2), éteignez l'outil et attendez qu'il s'arrête. Faites glisser le sélecteur de vitesse vers le mandrin.

Remarque : Ne changez pas de vitesse lorsque l'outil est en marche. Si vous rencontrez des problèmes pour changer de vitesse, veillez à ce que les boutons du système de transmission à double plage soient bien complètement enfoncés ou ressortis.

Percer/visser

- ◆ Sélectionnez le sens de rotation à l'aide du curseur de sélection du sens de rotation avant/arrière (2).
- ◆ Pour mettre l'outil en marche, appuyez sur l'interrupteur (1). La vitesse de l'outil dépend du niveau d'enfoncement de l'interrupteur.
- ◆ Pour arrêter l'outil, relâchez l'interrupteur.

Conseils pour une utilisation optimale

Percer

- ◆ N'utilisez que des mèches bien affûtées.
- ◆ Soutenez et fixez l'ouvrage correctement, comme indiqué dans les consignes de sécurité.
- ◆ Utilisez les équipements de protection nécessaires appropriés, tels que mentionnés dans les consignes de sécurité.
- ◆ Sécurisez et entretenez la zone de travail correctement, comme indiqué dans les consignes de sécurité.
- ◆ Commencez par utiliser la perceuse très lentement, en n'appuyant que très légèrement, jusqu'à ce que le trou soit suffisamment formé pour que la mèche n'en sorte plus.
- ◆ Appliquez une pression perpendiculaire sur la mèche. Appuyez suffisamment pour que la mèche avance, mais pas trop afin d'éviter que le moteur ne cale ou que la mèche ne dévie.
- ◆ Maintenez fermement la perceuse avec les deux mains pour en contrôler la torsion.
- ◆ **N'ACTIONNEZ PAS LA GÂCHETTE D'UNE PERCEUSE QUI A CALÉ POUR TENTER DE LA DÉMARRER. VOUS POURRIEZ ENDOMMAGER LA PERCEUSE.**
- ◆ Évitez les calages pendant le perçage en n'appuyant que très peu sur l'outil et en perçant plus lentement la dernière partie du trou.
- ◆ Laissez le moteur tourner en sortant la mèche du trou. Cela permet d'éviter qu'elle se coince.
- ◆ Assurez-vous que l'interrupteur permet bien de mettre en marche et d'éteindre la perceuse.

Percer le bois

Le bois peut être percé avec les mêmes mèches hélicoïdales utilisées pour le métal ou avec des mèches plates. Ces mèches doivent être aiguisées et fréquemment sorties du trou pendant le perçage afin de supprimer les copeaux des cannelures.

Percer le métal

Utilisez un lubrifiant de coupe pour percer les métaux. La fonte et le laiton doivent en revanche être percés à sec. Les lubrifiants de coupe qui fonctionnent le mieux sont les huiles de coupe sulfurées ou le saindoux.

Percer les matériaux de maçonnerie

Pour percer les matériaux de maçonnerie, réglez la bague (3) sur la position Perçage par martelage en alignant le symbole avec le repère. Déplacez le sélecteur de vitesse (5) vers l'avant de l'outil (2ème vitesse).

Visser/Dévisser

- ◆ Choisissez toujours un embout de tournevis de type et de taille appropriés.
- ◆ Si le serrage est difficile, enduisez la vis d'une petite quantité de liquide vaisselle ou de savon comme lubrifiant.

- ◆ Tenez toujours l'outil et l'embout de tournevis dans l'alignement de la vis

Dépannage

Problème	Cause possible	Solution possible
La machine ne démarre pas.	Le bloc-batterie n'est pas rechargé.	Vérifiez si bloc-batterie a besoin d'être rechargé
Le bloc-batterie ne se recharge pas.	Le chargeur n'est pas branché. La température ambiante est trop chaude ou trop froide.	Branchez le chargeur dans une prise murale qui fonctionne. Déplacez le chargeur et le bloc-batterie dans un endroit où la température ambiante est supérieure à 40°F (4,5°C) ou inférieure à 105°F (+40,5°C)
L'équipement s'éteint brusquement.	Le bloc-batterie a atteint sa limite de température maximum. Déchargé. (Afin de maximiser la durée de vie du bloc-batterie, il est conçu pour s'arrêter brusquement quand il est déchargé)	Laissez le bloc-batterie refroidir. Placez-le dans le chargeur et laissez-le se recharger.

Maintenance

Votre outil BLACK+DECKER a été conçu pour fonctionner longtemps avec un minimum d'entretien. Le fonctionnement continu et satisfaisant dépend de son bon entretien et de son nettoyage régulier.

Votre chargeur ne nécessite aucun entretien particulier, à l'exception d'un nettoyage régulier.

Avertissement ! Avant de réaliser toute tâche de maintenance sur l'outil, retirez la batterie. Débranchez le chargeur avant de le nettoyer.

- ◆ Nettoyez régulièrement les orifices d'aération de l'outil et du chargeur à l'aide d'une brosse souple ou d'un chiffon sec.
- ◆ Nettoyez régulièrement le bloc-moteur à l'aide d'un chiffon humide. N'utilisez pas de détergents abrasifs ou à base de solvants.
- ◆ Ouvrez régulièrement le mandrin et tapotez-le pour éliminer la poussière accumulée à l'intérieur.

Protection de l'environnement



Tri sélectif. Les produits et piles/batteries marqués de ce symbole ne doivent pas être jetés avec les déchets ménagers.

Les produits et batteries contiennent des matières qui peuvent être récupérées et recyclées afin de réduire la demande en matières premières. Veillez à recycler les produits électriques et les piles/batteries conformément aux prescriptions locales en vigueur. Pour plus d'informations, consultez le site www.2helpU.com

Caractéristiques techniques

		BLD683 Type 1
Tension	V_{CC}	18
Vitesse à vide	Min^{-1}	0 - 450 / 0 - 1800
Couple maxi	Nm	50
Capacité du mandrin	mm	2-13
Capacité de perçage maxi Acier/bois/matériaux de maçonnerie	mm	13/30/10
Poids	kg	1,1 kg (sans batterie)

Chargeur		905902**	N517390
Tension d'entrée	V_{CA}	230	230
Tension de sortie	V_{CC}	18	18
Courant	mA	400	1000
Durée de charge approx.	Heures	3 - 6,5	1,5 - 2,5

Batterie		BDL1518*	BDL2018*	BDL2518*
Tension	V_{CC}	18	18	18
Capacité	Ah	1,5	2,0	2,5
Type		Li-Ion	Li-Ion	Li-Ion

Niveau de pression sonore selon la norme EN 62841 :

Pression sonore (L_{pA}) 92 dB(A), incertitude (K) 5 dB(A)

Puissance sonore (L_{WA}) 100 dB(A), incertitude (K) 5 dB(A)

Valeurs totales des vibrations (somme vectorielle triaxiale) selon la norme EN 62841 :

Perçage du béton ($a_{h,D}$) 16,8 m/s^2 , incertitude (K) 1,5 m/s^2

Perçage du métal ($a_{h,D}$) 2,3 m/s^2 , incertitude (K) 1,5 m/s^2

Déclaration de conformité CE

DIRECTIVES MACHINES



BLD683 - perceuse à percussion

Black & Decker certifie que les produits décrits dans les « Caractéristiques techniques » sont en conformité avec :
2006/42/CE, EN 62841-1:2015+A11:2022, EN 62841-2-1:2018+A11:2019+A1:2022+A12:2022.

Ces produits sont également conformes aux directives 2014/30/UE et 2011/65/UE. Pour plus de précisions, veuillez contacter Black & Decker à l'adresse suivante ou consulter le dos de la notice.

Le soussigné est responsable de la compilation du dossier technique il fait cette déclaration au nom de Black & Decker.

Patrick Diepenbach

Patrick Diepenbach

Directeur général, Benelux BLACK+DECKER, Richard-
Klinger-Strasse 11, 65510 Idstein, Allemagne
05/10/2024

Garantie

Black & Decker est sûr de la qualité de ses produits et offre une garantie de 24 mois à ses clients, à partir de la date d'achat. Cette garantie s'ajoute à vos droits légaux auxquels elle ne porte aucunement préjudice. Cette garantie est valable au sein des territoires des états membres de l'Union européenne, de la zone européenne de libre-échange et du Royaume-Uni.

Pour prétendre à la garantie, la réclamation doit être en conformité avec les conditions générales de Black & Decker et vous devez fournir une preuve d'achat au vendeur ou au réparateur agréé.

Les conditions générales de la garantie de 2 ans Black & Decker ainsi que l'adresse du réparateur agréé le plus proche sont disponibles sur le site Internet www.2helpU.com ou en contactant votre agence Black & Decker locale à l'adresse indiquée dans cette notice.

Visitez notre site Internet www.blackanddecker.eu pour enregistrer votre nouveau produit Black & Decker et recevoir des informations sur nos nouveaux produits et nos offres spéciales.

Usò previsto

Il trapano a percussione BLACK+DECKER BLD683 è stato progettato per avvitare e per eseguire fori in legno, metallo, plastica e muratura. Questo elettrotensile è destinato esclusivamente a un uso privato.

Istruzioni di sicurezza

Avvertenze di sicurezza generali riguardanti gli elettrotensili



Avvertenza! Leggere attentamente tutte le avvertenze di sicurezza, le istruzioni, le illustrazioni e le specifiche fornite con l'elettrotensile. La mancata osservanza delle avvertenze e istruzioni elencate di seguito potrebbe dar luogo a scosse elettriche, incendi e/o lesioni gravi alle persone.

Conservare tutte le avvertenze e le istruzioni per riferimenti futuri. Il termine "elettrotensile" utilizzato in tutte le avvertenze fa riferimento sia agli utensili alimentati tramite una rete elettrica (con cavo) che agli utensili elettrici a batteria (cordless).

1. Sicurezza dell'area di lavoro

- Mantenere pulita e bene illuminata l'area di lavoro.** Gli ambienti disordinati o scarsamente illuminati favoriscono gli incidenti.
- Evitare di usare gli elettrotensili in atmosfere esplosive, come ad esempio, in presenza di liquidi, gas o polveri infiammabili.** Gli elettrotensili generano scintille che possono incendiare polveri o fumi.
- Durante l'uso di un elettrotensile, tenere a distanza i bambini e le altre persone presenti.** Eventuali distrazioni possono provocare la perdita di controllo dell'elettrotensile.

2. Sicurezza elettrica

- Le spine degli elettrotensili devono essere adatte alla presa di corrente. Non modificare in alcun modo la spina. Non utilizzare spine con adattatore per un elettrotensile dotato di messa a terra (massa).** Per ridurre il rischio di scosse elettriche evitare di modificare le spine e utilizzare sempre le prese di corrente appropriate.
- Evitare il contatto fisico con superfici collegate a terra, come tubi, radiatori, forni e frigoriferi.** Se il corpo dell'operatore è collegato a terra, il rischio di folgorazione aumenta.
- Non esporre gli elettrotensili alla pioggia o all'umidità.** La penetrazione di acqua all'interno di un elettrotensile aumenta il rischio che si verifichino scosse elettriche.

- d. **Non utilizzare il cavo di alimentazione in modo improprio. Non spostare, tirare o scollegare mai l'elettrodomestico dalla presa di corrente tirandolo dal cavo di alimentazione. Tenere il cavo di alimentazione lontano da fonti di calore, olio, bordi taglienti o parti in movimento.** Se il cavo di alimentazione è danneggiato o impigliato, il rischio di scosse elettriche aumenta.
- e. **Se un elettrodomestico viene utilizzato all'aperto, usare esclusivamente prolunghie omologate per l'impiego all'esterno.** L'uso di un cavo di alimentazione adatto per esterni riduce il rischio di scosse elettriche.
- f. **Se non è possibile evitare di lavorare in una zona umida, utilizzare una rete di alimentazione elettrica protetta da un interruttore differenziale (RCD) salvavita.** L'uso di un RCD riduce il rischio di scosse elettriche.
3. **Sicurezza personale**
- a. **È importante concentrarsi su ciò che si sta facendo e maneggiare con giudizio l'elettrodomestico. Non utilizzare un elettrodomestico quando si è stanchi o sotto l'effetto di sostanze stupefacenti, alcol o farmaci.** Un solo attimo di distrazione durante l'uso degli elettrodomestici potrebbe provocare gravi lesioni alle persone.
- b. **Usare sempre dispositivi di protezione individuale.** L'uso di dispositivi di protezione individuale, quali occhiali di sicurezza, mascherine antipolvere, scarpe antinfortunistiche antiscivolo, elmetti e/o protezioni acustiche, in condizioni opportune consente di ridurre il rischio di lesioni personali.
- c. **Prevenire l'avvio involontario. Accertarsi che l'interruttore sia nella posizione di spegnimento prima di collegare l'elettrodomestico alla rete elettrica e/o al pacco batteria, prenderlo in mano o trasportarlo.** Per non esporsi al rischio di incidenti, non trasportare l'elettrodomestico tenendo le dita sull'interruttore e non collegarlo a una fonte di alimentazione elettrica con l'interruttore in posizione di accensione.
- d. **Prima di accendere un elettrodomestico, rimuovere eventuali utensili di regolazione o chiavi.** Un utensile di regolazione o una chiave attaccati a una parte rotante dell'elettrodomestico possono provocare lesioni personali.
- e. **Non sbilanciarsi. Mantenere sempre un appoggio e un equilibrio adeguati.** In tal modo è possibile mantenere un migliore controllo dell'elettrodomestico nelle situazioni impreviste.
- f. **Vestirsi in modo adeguato. Non indossare abiti larghi o gioielli. Tenere i capelli, gli indumenti e i guanti lontano dalle parti mobili.** Abiti non aderenti al corpo, gioielli o capelli lunghi possono rimanervi impigliati.
- g. **Se gli elettrodomestici sono provvisti di attacchi per il collegamento di dispositivi di aspirazione o di raccolta delle polveri, assicurarsi che questi siano installati e utilizzati correttamente.** L'impiego di dispositivi per la raccolta delle polveri può ridurre i pericoli legati a queste ultime.
- h. **Non lasciare che la dimestichezza acquisita dall'uso frequente degli elettrodomestici induca a cedere alla tentazione di ignorare i principi di utilizzo sicuro degli stessi.** Un'azione imprudente potrebbe provocare lesioni gravi in una frazione di secondo.
4. **Utilizzo e cura degli elettrodomestici**
- a. **Non sovraccaricare l'elettrodomestico. Utilizzare l'utensile adatto per il lavoro da eseguire.** L'elettrodomestico corretto funziona meglio e in modo più sicuro se utilizzato alla velocità per cui è stato progettato.
- b. **Non utilizzare l'elettrodomestico se l'interruttore di accensione/spengimento è difettoso.** Qualsiasi elettrodomestico che non possa essere controllato tramite l'interruttore è pericoloso e deve essere riparato.
- c. **Rimuovere il pacco batteria, se rimovibile, dall'elettrodomestico e/o attivare qualsiasi dispositivo di disabilitazione della batteria prima di rimuovere il materiale inceppato, apportare eventuali regolazioni, cambiare accessori, pulire o riporre gli elettrodomestici.** Queste misure di sicurezza preventive riducono il rischio di azionare accidentalmente l'elettrodomestico.
- d. **Quando non vengono usati, gli elettrodomestici devono essere custoditi fuori dalla portata dei bambini. Non consentirne l'uso da parte di persone inesperte o che non abbiano letto queste istruzioni.** Gli elettrodomestici sono pericolosi in mano a persone inesperte.
- e. **Eseguire la manutenzione degli elettrodomestici e degli accessori. Verificare che le parti mobili siano correttamente allineate e non inceppate, che non vi siano componenti rotti e che non sussistano altre condizioni che possano compromettere il funzionamento dell'elettrodomestico. Se l'elettrodomestico è danneggiato, farlo riparare prima dell'uso.** Molti incidenti sono provocati da elettrodomestici non sottoposti a una corretta manutenzione.
- f. **Mantenere affilati e puliti gli utensili da taglio.** La manutenzione corretta degli utensili da taglio con bordi affilati riduce le probabilità di inceppamento e ne facilita il controllo.
- g. **Utilizzare l'elettrodomestico, gli accessori, le punte, ecc. in conformità con queste istruzioni, tenendo conto delle condizioni operative e del lavoro da eseguire.** L'uso dell'elettrodomestico per svolgere operazioni diverse da quelle a cui esso è destinato può dare luogo a situazioni di pericolo.

- h. **Non modificare l'utensile.** L'apporto di modifiche potrebbe ridurre l'efficacia delle misure di sicurezza e aumentare i rischi per l'operatore e/o le persone che si trovano nelle vicinanze.
- i. **Mantenere le impugnature e le superfici di presa asciutte, pulite e senza tracce di olio o grasso.** Le impugnature e le superfici di presa scivolose possono comportare una manipolazione non sicura e/o la perdita di controllo dell'utensile.
- j. **Tenere i tubi flessibili e i cavi elettrici lontani dall'area di lavoro dell'utensile.** Durante il funzionamento tubi flessibili e cavi elettrici potrebbero rimanere nascosti alla vista e potrebbero essere accidentalmente danneggiati dall'utensile.

5. Uso e cura degli elettrotensili a batteria

- a. **Caricare la batteria utilizzando esclusivamente il caricabatterie specificato dal fabbricante.** Un caricabatterie adatto per un solo tipo di batteria può comportare il rischio d'incendio se usato con una batteria diversa.
- b. **Usare gli elettrotensili con i pacchi batteria specificamente concepiti per gli stessi.** L'impiego di pacchi batteria di tipo diverso potrebbe comportare il rischio di lesioni personali e di incendio.
- c. **Quando il pacco batteria non viene usato, tenerlo lontano da altri oggetti metallici tipo graffette, monete, chiavi, chiodi, viti o altri oggetti metallici di piccole dimensioni, che potrebbero cortocircuitare un morsetto con l'altro.** Se i terminali della batteria vengono cortocircuitati si potrebbero causare ustioni o un incendio.
- d. **In condizioni di uso improprio, potrebbe fuoriuscire del liquido dalla batteria. Evitare di toccarlo. In caso di contatto accidentale, sciacquare la pelle con abbondante acqua. Se il liquido dovesse entrare a contatto con gli occhi, rivolgersi anche a un medico.** Il liquido che fuoriesce dalla batteria può causare irritazioni o ustioni.
- e. **Non utilizzare un pacco batteria o un elettrotensile se danneggiati o modificati.** Le batterie danneggiate o modificate potrebbero manifestare un comportamento imprevedibile con la possibilità di causare un'esplosione o un incendio.
- f. **Non esporre un pacco batteria o un utensile al fuoco o a temperature elevate.** L'esposizione al fuoco o a una temperatura superiore a 130 °C potrebbe provocare un'esplosione. NOTA: 130 °C di temperatura corrispondono a una temperatura di 265 °F.
- g. **Seguire tutte le istruzioni per la ricarica e non ricaricare il pacco batteria o l'elettrotensile a una temperatura che non rientri nell'intervallo di valori specificato nelle istruzioni.**

Una carica effettuata in maniera scorretta o a una temperatura che non rientra nell'intervallo di valori specificato potrebbe danneggiare la batteria aumentando il rischio d'incendio.

- h. **Non immergere mai l'utensile o il pacco batteria nell'acqua.** L'immersione in acqua aumenta il rischio di surriscaldamento, incendio e/o esplosione, con conseguenti lesioni personali e danni materiali.
- i. **Non esporre mai l'utensile o il pacco batteria a fluidi corrosivi o conduttivi, come acqua di mare, prodotti chimici industriali, candeggina o prodotti contenenti candeggina, ecc.** L'ingresso di fluidi corrosivi o conduttivi aumenta il rischio di surriscaldamento, incendio e/o esplosione, che potrebbe provocare lesioni personali e danni materiali.

6. Assistenza

- a. **Fare riparare l'elettrotensile esclusivamente da personale specializzato e solo usando ricambi originali.** In questo modo viene garantita la sicurezza dell'elettrotensile.
- b. **Non riparare i pacchi batteria danneggiati.** Gli interventi di riparazione su pacchi batteria danneggiati devono essere eseguiti dal fabbricante o da tecnici dell'assistenza autorizzati.

Istruzioni di sicurezza per tutte le operazioni

- ◆ **Indossare sempre protezioni acustiche quanto si utilizza la modalità di foratura a percussione.** L'esposizione al rumore può condurre alla perdita dell'udito.
- ◆ **Sostenere correttamente l'elettrotensile prima dell'uso.** Questo elettrotensile produce una coppia in uscita elevata e, se non viene sorretto correttamente durante l'uso, potrebbe provocare lesioni personali.
- ◆ **Sostenere l'elettrotensile con supporti dotati di superfici isolanti quando si eseguono lavori in cui l'accessorio di taglio potrebbe toccare cavi elettrici nascosti.** Gli accessori di taglio che vengono a contatto con un cavo sotto tensione trasmettono la corrente elettrica anche alle parti metalliche esposte dell'elettrotensile, con il pericolo di provocare la folgorazione dell'operatore.

Istruzioni di sicurezza per l'uso con punte lunghe

- ◆ **Non utilizzare mai una velocità superiore alla velocità massima nominale della punta.** A velocità superiori è probabile che la punta si pieghi se viene lasciata ruotare liberamente senza toccare il pezzo da lavorare, con la possibilità di conseguenti lesioni personali.
- ◆ **Iniziare sempre a eseguire un foro a bassa velocità e con la punta a contatto con il pezzo in lavorazione.**

A velocità superiori è probabile che la punta si pieghi se viene lasciata ruotare liberamente senza toccare il pezzo da lavorare, con la possibilità di conseguenti lesioni personali.

- ◆ **Applicare pressione solo in linea diretta con la punta (non esercitare una pressione eccessiva).** Le punte potrebbero piegarsi e rompersi o provocare la perdita di controllo del trapano con la possibilità di conseguenti lesioni personali.

Norme aggiuntive di sicurezza per trapani/avvitatori/trapani a percussione

- ◆ **Usare morse o altri metodi pratici per fissare e bloccare il pezzo in lavorazione a un piano stabile.** Tenere il lavoro con le mani o contro il corpo non è stabile e potrebbe portare alla perdita di controllo.
- ◆ **Gli accessori e l'elettrotensile potrebbero scaldarsi durante l'uso.** Nel maneggiarli indossare dei guanti quando si effettuano lavori che producono calore, come la foratura di metalli.
- ◆ **Le prese d'aria spesso coprono parti in movimento e devono essere evitate.** Gli indumenti larghi, i gioielli o i capelli lunghi possono rimanere impigliati nelle parti mobili.
- ◆ **Indossare occhiali di sicurezza o altri dispositivi di protezione per gli occhi.** Le operazioni di percussione e foratura provocano la dispersione di trucioli. Tali schegge proiettate in aria possono causare danni permanenti alla vista.
- ◆ **Indossare sempre protezioni acustiche quanto si utilizza la modalità di foratura a percussione.** L'esposizione al rumore può condurre alla perdita dell'udito.
- ◆ **Utilizzare l'impugnatura/le impugnature ausiliaria/e, se fornita/e in dotazione con l'utensile.** La perdita di controllo può causare lesioni a persone.
- ◆ **Non utilizzare questo utensile per periodi prolungati.** La vibrazione provocata dal funzionamento dell'utensile può essere dannosa per le mani e le braccia dell'operatore. Indossare dei guanti per ammortizzare ulteriormente la vibrazione e limitare l'esposizione facendo pause frequenti.

Ulteriori avvertenze di sicurezza valide per gli elettrotensili



Avvertenza! Altri avvisi di sicurezza per i trapani a percussione

- ◆ **Usare le impugnature ausiliarie fornite con l'elettrotensile.** La perdita di controllo può causare lesioni a persone.

- ◆ **Sostenere l'elettrotensile con supporti dotati di superfici isolanti quando si eseguono lavori in cui l'accessorio di taglio potrebbe toccare cavi elettrici nascosti.** Gli accessori da taglio che vengono a contatto con un cavo sotto tensione trasmettono la corrente elettrica anche alle parti metalliche esposte dell'elettrotensile e possono provocare la folgorazione dell'operatore.
- ◆ **Sostenere l'elettrotensile con supporti dotati di superfici isolanti quando si eseguono lavori in cui la parte tagliente potrebbe toccare cavi elettrici nascosti o il cavo di alimentazione dell'elettrotensile.** I dispositivi di fissaggio che vengono a contatto con un cavo sotto tensione trasmettono la corrente elettrica anche alle parti metalliche esposte dell'elettrotensile e possono provocare la folgorazione dell'operatore.
- ◆ **Usare morse o altri metodi pratici per fissare e sostenere il pezzo in lavorazione su una piattaforma stabile.** Tenere il pezzo in lavorazione con le mani o contro il corpo non ne assicura la stabilità e potrebbe comportare la perdita di controllo.
- ◆ Prima di forare pareti, pavimenti o soffitti, controllare l'ubicazione di fili elettrici e tubazioni.
- ◆ Evitare di toccare l'estremità appuntita di una punta del trapano subito dopo l'uso, poiché potrebbe essere molto calda.
- ◆ L'uso previsto è indicato in questo manuale di istruzioni. L'impiego dell'elettrotensile con accessori o per scopi diversi da quelli raccomandati in questo manuale, potrebbe causare lesioni alle persone e/o danni materiali.

Sicurezza altrui

- ◆ Questo elettrotensile non è destinato all'uso da parte di persone di qualsiasi età (compresi i bambini) con capacità fisiche, sensoriali o mentali ridotte, o prive di esperienza e conoscenze, a meno che non siano sottoposte a sorveglianza o ricevano istruzioni riguardo all'uso dell'elettrotensile da parte di una persona responsabile della loro sicurezza.
- ◆ I bambini devono essere sorvegliati per assicurarsi che non giochino con l'elettrotensile.

Rischi residui

L'uso dell'elettrotensile potrebbe comportare rischi residui non necessariamente riportati nelle avvertenze di sicurezza allegate. Tali rischi possono sorgere a seguito di un uso prolungato o improprio, ecc.

Malgrado il rispetto delle norme di sicurezza pertinenti e l'implementazione di dispositivi di sicurezza, alcuni rischi residui non possono essere evitati. Essi includono:

- ◆ lesioni personali causate a seguito del contatto con parti rotanti/in movimento;

- ◆ lesioni personali causate o subite durante la sostituzione di parti, lame o accessori;
- ◆ lesioni causate dall'impiego prolungato di un elettrotensile (quando si utilizza qualsiasi apparecchio per lunghi periodi, accertarsi di fare regolarmente delle pause);
- ◆ menomazioni uditive;
- ◆ rischi per la salute causati dall'inhalazione di polvere generata dall'utilizzo dell'elettrotensile (ad esempio, quando si lavora con il legno, in modo particolare quello di quercia o faggio o l'MDF).

Rumorosità e vibrazioni

I valori di emissione di vibrazioni e rumore dichiarati nella sezione "Dati tecnici" e nella Dichiarazione di conformità di questo manuale sono stati misurati in base al metodo di prova standard previsto dalla normativa EN 62841 e possono essere usati come parametri di confronto tra due elettrotensili.

Il valore di emissione di rumore e vibrazioni dichiarato può anche essere usato per una valutazione preliminare dell'esposizione.

Avvertenza! Il valore di emissione di rumore e vibrazioni durante l'impiego effettivo dell'elettrotensile può differire da quello dichiarato a seconda delle modalità d'uso. Il livello delle vibrazioni può aumentare oltre quello dichiarato.

Quando si valuta l'esposizione alle vibrazioni per determinare le misure di sicurezza richieste dalla normativa 2002/44/CE destinata alla protezione delle persone che utilizzano regolarmente elettrotensili per lo svolgimento delle proprie mansioni, è necessario prendere in considerazione le condizioni effettive di utilizzo e il modo in cui l'elettrotensile viene usato, oltre che tenere conto di tutte le componenti del ciclo operativo, vale a dire i periodi in cui l'elettrotensile rimane spento, quelli in cui è acceso ma fermo e quelli in cui viene effettivamente utilizzato.

Etichette sull'elettrotensile

Sull'elettrotensile sono presenti i seguenti simboli assieme al codice data:



Avvertenza! Per ridurre il rischio di lesioni personali, l'operatore deve leggere attentamente il manuale di istruzioni.



Non fissare la spia di funzionamento

Istruzioni di sicurezza aggiuntive per batterie e caricatterie

Batterie

- ◆ Non tentare mai di aprire una batteria per alcun motivo.

- ◆ Non esporre la batteria all'acqua.
- ◆ Non conservare la batteria in ambienti in cui la temperatura potrebbe superare 40 °C.
- ◆ Caricare la batteria solo a temperature ambientali comprese tra 10 °C e 40 °C.
- ◆ Caricare la batteria esclusivamente con il caricabatterie fornito in dotazione con l'elettrotensile.
- ◆ Per lo smaltimento delle batterie, seguire le istruzioni riportate nella sezione "Protezione dell'ambiente".



Non tentare di ricaricare batterie danneggiate.

- ◆ Non danneggiare/deformare la batteria forandola o colpendola, in quanto ciò potrebbe creare un rischio di lesioni o incendio.
- ◆ In condizioni estreme, potrebbe verificarsi la perdita di liquido dalla batteria. Se si nota la presenza di liquido sulla batteria, asciugare con attenzione con uno straccio. Evitare il contatto con la pelle.
- ◆ In caso di contatto con la pelle o gli occhi, seguire le istruzioni riportate di seguito.

Avvertenza! Il liquido delle batterie potrebbe causare lesioni a persone o danni materiali. In caso di contatto con la pelle, risciacquare immediatamente con acqua. In caso di arrossamento, dolore o irritazione, rivolgersi subito a un medico. In caso di contatto con gli occhi, risciacquarli immediatamente con acqua pulita e consultare un medico.

Caricatterie

Il caricabatterie è stato progettato per una tensione di rete specifica. Verificare sempre che la tensione di rete corrisponda al valore della tensione indicato sulla targhetta dei valori nominali.

Avvertenza! Non tentare mai di sostituire il caricabatterie con una spina elettrica tradizionale.

- ◆ Usare il caricabatterie BLACK+DECKER solo per ricaricare la batteria fornita in dotazione con l'elettrotensile. Tipi diversi di batterie potrebbero scoppiare, provocando lesioni personali e danni materiali.
- ◆ Non tentare mai di ricaricare batterie non ricaricabili.
- ◆ In caso di danneggiamento del cavo di alimentazione è necessario farlo riparare dal fabbricante o presso un Centro assistenza autorizzato in modo da evitare pericoli.
- ◆ Far sostituire immediatamente i cavi difettosi.
- ◆ Non lasciare che il caricabatterie si bagni.
- ◆ Non aprire il caricabatterie.
- ◆ Non collegare il caricabatterie a sonde.
- ◆ L'apparecchio/la batteria devono essere lasciati in una zona ben ventilata durante la ricarica.



Il caricabatterie è destinato esclusivamente all'uso in ambienti chiusi.



Leggere il manuale di istruzioni prima dell'uso.

Sicurezza elettrica



Il doppio isolamento di cui è provvisto il carica-batterie rende superfluo il filo di terra. Verificare sempre che la tensione di rete corrisponda al valore della tensione indicato sulla targhetta dei valori nominali. Non tentare mai di sostituire il caricabatterie con una spina elettrica tradizionale.

- ◆ Per prevenire pericoli, i cavi di alimentazione danneggiati devono essere sostituiti dal fabbricante o da un Centro di assistenza BLACK+DECKER.

Caratteristiche

Questo elettrotensile presenta alcune o tutte le seguenti parti.

1. Interruttore (grilletto) di azionamento a velocità variabile
2. Cursore di controllo rotazione avanti/indietro
3. Collare di regolazione coppia di serraggio
4. Mandrino portapunta autoserrante
5. Selettore a due velocità
6. Luce di lavoro a LED
7. Gancio per cintura (disponibile con tutte le unità)
8. Batteria
9. Pulsante di sgancio pacco batteria

Montaggio

Uso

Avvertenza! Lasciare che l'elettrotensile funzioni al proprio ritmo. Non sovraccaricarlo.

Carica della batteria (Figg. A1 e A2)

La batteria deve essere caricata prima dell'impiego iniziale e quando non eroga una potenza sufficiente per svolgere lavori che prima era possibile eseguire facilmente. Durante la carica, la batteria potrebbe riscaldarsi. Si tratta di un fatto normale che non indica la presenza di un problema.

Avvertenza! Non ricaricare la batteria a temperature ambientali inferiori a 10 °C o superiori a 40 °C. La temperatura di ricarica raccomandata è di circa 24 °C.

Nota: il caricabatterie non ricarica una batteria se la temperatura delle celle è inferiore a 10 °C o superiore a 40 °C circa.

La batteria deve essere lasciata nel caricabatterie, il quale comincerà a caricarla in automatico quando la temperatura delle celle aumenta o diminuisce.

- ◆ Collegare il caricabatterie (10) a una presa elettrica standard da 230 V, 50 Hz.
- ◆ Inserire il pacco batteria (8) nel caricabatterie come mostrato in fig. A1, A2.

Il LED (10a) lampeggia mentre la carica della batteria è in corso.

Il completamento della carica è indicato dal LED (10a) che rimane acceso fisso. La batteria a quel punto è completamente carica e può essere utilizzata subito o lasciata nel caricabatterie.

Attenzione! Pericolo di incendio. Quando si scollega il caricabatterie dalla batteria accertarsi prima di scollegarlo dalla presa di corrente, quindi rimuovere la batteria dal caricabatterie.

Diagnostica del caricabatterie

Questo caricabatterie è concepito in modo da rilevare determinati problemi che potrebbero insorgere con i pacchi batteria o la fonte di alimentazione. Gli eventuali problemi sono indicati da un LED che lampeggia secondo schemi differenti.

Batteria guasta

Il caricabatterie rileva se una batteria è scarica o danneggiata. Il LED lampeggia secondo lo schema indicato sull'etichetta. Se compare il motivo di lampeggiamento che segnala un guasto alla batteria, non continuare a caricarla. Consegnarla a un centro di assistenza o a un sito di raccolta per il riciclaggio.

Ritardo per batteria calda/fredda

Quando il caricabatterie rileva una batteria troppo calda o troppo fredda avvia automaticamente la funzione di ritardo per batteria calda/fredda, sospendendo la carica finché la batteria non ha raggiunto la temperatura normale, dopodiché passa automaticamente alla modalità di carica della batteria. Questa funzione garantisce la massima durata del pacco batteria. Il LED lampeggia secondo lo schema indicato sull'etichetta.

Batteria lasciata nel caricabatterie

Il caricabatterie e il pacco batteria possono essere lasciati collegati per un tempo indefinito con il LED illuminato. Il caricabatterie manterrà il pacco batteria come nuovo e completamente carico.

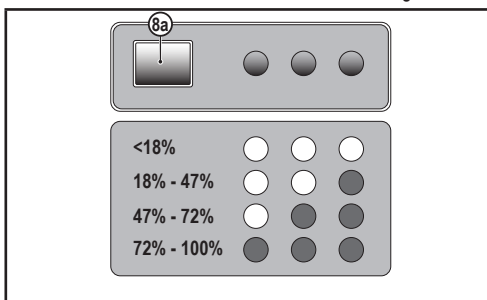
Note importanti riguardanti la carica

- ◆ È possibile ottenere la massima durata e le migliori prestazioni se il pacco batteria è carico e la temperatura dell'aria è di 18 °–24 °C. NON ricaricare il pacco batteria se la temperatura dell'aria è inferiore a +4,5 °C o superiore a +40 °C. Questa precauzione è importante per prevenire gravi danni al pacco batteria.

- ◆ Durante la ricarica il caricabatterie e il pacco batteria possono diventare caldi al tatto. Si tratta di un fatto normale che non indica la presenza di problemi. Per facilitare il raffreddamento del pacco batteria dopo l'uso, evitare di collocare il caricabatterie o il pacco batteria in un ambiente caldo ad esempio in un capannone metallico o in un rimorchio non isolato.
- ◆ Se il pacco batteria non si ricarica correttamente:
 - ◆ verificare l'effettiva presenza di corrente nella presa elettrica, collegandovi una lampada o un apparecchio simile;
 - ◆ verificare se la presa è collegata a un interruttore dell'impianto di illuminazione e la corrente viene interrotta quando si spegne la luce;
 - ◆ spostare il caricabatterie e il pacco batteria in un luogo dove la temperatura dell'aria circostante è di circa 18 °C - 24 °C.
 - ◆ Se i problemi di ricarica persistono, portare l'elettrotensile, la batteria e il caricabatterie presso il centro di assistenza di zona.
- ◆ Il pacco batteria deve essere sostituito se non riesce a produrre energia a sufficienza per svolgere lavori che prima venivano eseguiti con facilità. **NON CONTINUARE** a usarlo in queste condizioni. Seguire la procedura di carica. È anche possibile caricare una batteria parzialmente utilizzata ogni volta che si desidera, senza alcun effetto negativo sulla batteria stessa.
- ◆ Materiali estranei di natura conduttiva come, a titolo esemplificativo ma non esaustivo, polvere di smerigliatura, schegge metalliche, lana di acciaio, lamine di alluminio o qualsiasi accumulo di particelle metalliche, dovrebbero essere eliminati dalle cavità del caricabatterie. Staccare il caricabatterie dalla presa di corrente prima di pulirlo.
- ◆ Non immergere nessuna parte del caricabatterie in acqua o altri liquidi.

Indicatore dello stato di carica della batteria (Fig. B)

La batteria include un indicatore dello stato di carica che consente di stabilire rapidamente la sua autonomia di funzionamento, come mostra la Figura B. Premendo il tasto dello stato di carica (8a) è possibile vedere facilmente la carica residua della batteria, come illustrato nella Figura B.



Inserimento e rimozione della batteria dall'elettrotensile (Fig. C)

Avvertenza! Verificare che il pulsante di blocco di sicurezza (2) sia attivato per evitare l'azionamento dell'interruttore mentre si inseriscono o estraggono gli accessori.

Per installare la batteria:

- ◆ Inserire il pacco batteria (8) nell'apparecchio finché non si sente un clic (fig. C)

Rimuovere la batteria dall'elettrotensile (fig. C)

- ◆ Premere il pulsante di rilascio della batteria (9) come illustrato nella (fig. C) ed estrarre la batteria dall'elettrotensile.

Gancio per cintura (Fig. D, E)

Avvertenza! Per ridurre il rischio di infortuni gravi, portare il selettore del senso di rotazione sulla posizione di blocco di sicurezza o spegnere l'elettrotensile e scollegare il pacco batteria prima di eseguire qualsiasi regolazione o rimozione/installazione di dotazioni o accessori. Un avvio accidentale dell'elettrotensile potrebbe provocare lesioni alle persone.

Avvertenza! Per ridurre il rischio di gravi lesioni personali, utilizzare il gancio per cintura (7) **ESCLUSIVAMENTE** per attaccare l'elettrotensile a una cintura da lavoro. **NON** utilizzare il gancio per cintura (7) per legare o fissare l'elettrotensile a una persona o un oggetto durante l'uso. **NON** appendere l'avvitatore o altri oggetti in posizione sopraelevata utilizzando il gancio per cintura.

Avvertenza! Per ridurre il rischio di lesioni personali gravi, accertarsi che la vite (11) che fissa il gancio per cintura sia serrata saldamente.

Nota: per il montaggio o la sostituzione del gancio per cintura (7), utilizzare esclusivamente la vite (11) in dotazione. Assicurarsi di serrare saldamente la vite.

Il gancio per cintura (7) può essere fissato facendolo scorrere nelle fessure (13) su entrambi i lati della torcia utilizzando esclusivamente la vite (11) in dotazione, a seconda che l'utilizzatore sia mancino o destrorso. Se lo si desidera, è possibile rimuovere completamente il gancio dall'apparecchio. Per spostare il gancio per cintura (7), svitare la vite (11) che lo tiene in sede e riavvitarla sul lato opposto. Assicurarsi di serrare saldamente la vite (11).

Istruzioni per l'uso

Grilletto di azionamento e cursore di controllo della rotazione all'indietro (Fig. F)

- ◆ Il trapano viene acceso e spento premendo e rilasciando il grilletto di azionamento (1). Maggiore è la pressione esercitata sul grilletto di azionamento, maggiore è la velocità del trapano.

- ◆ Un pulsante di comando avanti/indietro (2) determina la direzione dell'elettrotensile e funge anche da pulsante di sicurezza.
- ◆ Per selezionare la rotazione in senso orario rilasciare il grilletto di azionamento e spostare il selettore del senso di rotazione verso sinistra.
- ◆ Per selezionare la rotazione in senso antiorario spostare il selettore del senso di rotazione nella direzione opposta.

Nota: quando il selettore si trova nella posizione centrale blocca l'accensione dell'elettrotensile. Assicurarsi di avere rilasciato il grilletto di azionamento prima di spostare il selettore.

Controllo della coppia di serraggio (Fig. G)

L'elettrotensile è dotato di un collare per la regolazione della coppia di serraggio (3) che consente di selezionare la modalità operativa e di impostare la coppia di serraggio delle viti. Le viti di grandi dimensioni e i pezzi in lavorazione di materiale più duro richiedono una coppia di serraggio maggiore rispetto alle viti più piccole e ai pezzi di materiale più tenero.

- ◆ Per trapanare legno, metallo e plastica, regolare il collare sul simbolo del trapano.
- ◆ Per trapanare murature, regolare il collare sul simbolo della posizione di trapanatura con funzione percussione.
- ◆ Per l'avvitatura, regolarlo sulla taratura desiderata. Se non si sa ancora quale impostazione usare, procedere come descritto di seguito:
- ◆ Regolare il collare sulla taratura di coppia più bassa.
- ◆ Serrare la prima vite.
- ◆ Se la frizione scatta prima di aver ottenuto il risultato desiderato, aumentare la taratura del collare e continuare ad avvitare la vite. Ripetere fino a ottenere l'impostazione corretta. Usare questa taratura per le viti rimanenti.

Mandrino portapunta senza chiave (Fig. H)

Avvertenza! Verificare che il pulsante di blocco di sicurezza (2) sia attivato per evitare l'azionamento dell'interruttore mentre si inseriscono o estraiono gli accessori.

Per infilare una punta o altri accessori, procedere come descritto di seguito:

- ◆ Afferrare l'utensile con una mano e usare l'altra per ruotare il mandrino portapunta (4) in direzione antioraria, vista dall'estremità con il mandrino.
- ◆ Infilare la punta o un altro accessorio completamente nel mandrino e serrare saldamente ruotando il mandrino in senso orario, visto dall'estremità del mandrino.

Avvertenza! Non tentare di serrare le punte (o qualsiasi altro accessorio) afferrando la parte anteriore del mandrino e accendendo l'apparato. Potrebbero verificarsi danni al mandrino e lesioni alle persone durante la sostituzione degli accessori.

Selettore a due velocità (Figura I)

Il selettore a due velocità del trapano consente di cambiare marcia per una maggiore versatilità. Per selezionare l'impostazione a velocità bassa e coppia di serraggio elevata (posizione 1) spegnere l'elettrotensile e lasciarlo fermare. Fare scorrere il selettore a due velocità (5) nella direzione opposta al mandrino portapunta. Per selezionare l'impostazione a velocità alta e coppia di serraggio (posizione 2) spegnere l'elettrotensile e lasciarlo fermare.

Fare scorrere il selettore di velocità verso il mandrino portapunta.

Nota: non cambiare velocità mentre l'elettrotensile è in funzione. Se si hanno problemi a cambiare velocità assicurarsi che i selettori a due velocità siano spinti tutti avanti o tutti indietro.

Foratura/Avvitatura

- ◆ Selezionare la rotazione avanti o indietro usando il cursore avanti/indietro (2).
- ◆ Per accendere l'elettrotensile, premere l'interruttore di accensione (1). La velocità dell'elettrotensile dipende dalla pressione esercitata sul grilletto.
- ◆ Per spegnere l'elettrotensile, rilasciare l'interruttore.

Consigli per un utilizzo ottimale

Foratura

- ◆ Utilizzare solamente punte appuntite.
- ◆ Supportare e fissare il lavoro correttamente, come indicato nelle Istruzioni di sicurezza.
- ◆ Utilizzare dispositivi di protezione necessari e adeguati, come indicato nelle Istruzioni di sicurezza.
- ◆ Mettere in sicurezza e mantenere l'area di lavoro, come indicato nelle Istruzioni di sicurezza.
- ◆ Far funzionare il trapano molto lentamente, con una leggera pressione, fino a quando il foro è sufficientemente profondo da evitare la fuoriuscita della punta.
- ◆ Esercitare la pressione perpendicolarmente alla punta. Applicare una pressione sufficiente a permettere alla punta di eseguire il foro, ma non eccessiva per non far spegnere il motore o spostare la punta.
- ◆ Tenere saldamente il trapano con due mani per controllarne lo spostamento rotatorio.
- ◆ **NON PREMERE VARIE VOLTE IL GRILLETTO DI AZIONAMENTO DEL TRAPANO CHE SI SIA ARRESTATO PER TENTARE DI RIAVVVIARLO. IL TRAPANO POTREBBE ESSERE DANNEGGIATO.**
- ◆ Contenerne al massimo la possibilità di arresto iniziale, riducendo la pressione e trapanando lentamente l'ultima porzione del foro.
- ◆ Tenere acceso il motore mentre si estrae la punta da un foro trapanato. In questo modo si riducono gli inceppamenti.

- ◆ Assicurarsi che l'interruttore accenda e spenga il trapano.

Esecuzione di fori nel legno

I fori nel legno possono essere eseguiti con la stessa punta usata per il metallo o con punte a lancia. Le punte devono essere affilate ed estratte frequentemente per eliminare i trucioli dalle scanalature del trapano.

Esecuzione di fori nel metallo

Quando si forano metalli utilizzare un lubrificante da taglio. Fanno eccezione la ghisa e l'ottone, che vanno forati a secco. Gli oli da taglio che funzionano meglio di tutto sono l'olio solforato o l'olio di lardo.

Esecuzione di fori nella muratura

Per la trapanatura di murature, regolare (3) il collare sulla posizione di trapanatura con funzione percussione, allineando il simbolo al contrassegno. Far scorrere il selettore della velocità (5) verso la parte anteriore dell'elettrotensile (seconda marcia).

Avvitatura/Svitatura

- ◆ Usare sempre la punta di tipo e misura corretti.
- ◆ Se le viti sono dure da avvitare, versare una piccola quantità di detersivo o sapone per lubrificarle.
- ◆ Tenere sempre l'elettrotensile e la punta in posizione perpendicolare rispetto alla vite

Risoluzione dei problemi

Problema	Possibile causa	Possibile soluzione
L'elettrotensile non parte.	La batteria non è stata caricata.	Controllare i requisiti di carica della batteria
La batteria non si carica.	Caricabatterie non collegato a una presa di corrente. Temperatura dell'aria circostante troppo alta o troppo bassa.	Collegare il caricabatterie a una presa di corrente che funzioni. Spostare il caricabatterie e il pacco batteria ad una temperatura dell'aria circostante al di sopra di 4,5°C (40 °F) o al di sotto di +40,5°C (105 °F).
L'unità si spegne improvvisamente.	Il pacco batteria ha raggiunto il limite termico massimo. Carica esaurita. (Per massimizzare la durata del pacco batteria è progettato per spegnersi improvvisamente quando la carica è esaurita)	Lasciare che il pacco batteria si raffreddi. Posizionare sul caricabatterie e consentire la ricarica.

Manutenzione

Questo elettrotensile BLACK+DECKER è stato concepito per funzionare per un lungo periodo con un minimo di manutenzione. Prestazioni sempre soddisfacenti dipendono da una cura appropriata e da una pulizia regolare.

Il caricabatterie non richiede manutenzione, ad eccezione di una regolare pulizia.

Avvertenza! Prima di eseguire qualsiasi intervento di manutenzione sull'elettrotensile rimuovere le batterie.

Scollegare il caricabatterie dalla presa di corrente prima di pulirlo.

- ◆ Pulire regolarmente le prese di ventilazione dell'elettrotensile e dell'alimentatore con un pennello o con un panno morbido e asciutto.
- ◆ Il corpo motore deve essere pulito periodicamente con un panno umido. Non usare materiali abrasivi o detersivi a base di solventi.
- ◆ Aprire regolarmente il mandrino e batterlo leggermente per eliminare la polvere dall'interno.

Protezione dell'ambiente



Raccolta differenziata. I prodotti e le batterie contrassegnati con questo simbolo non devono essere smaltiti con i rifiuti domestici normali.

I prodotti e le batterie contengono materiali che possono essere recuperati o riciclati, riducendo la richiesta di materie prime. Riciclare i prodotti elettrici e le batterie attenendosi alle disposizioni locali vigenti. Ulteriori informazioni sono disponibili online all'indirizzo www.2helpU.com

Dati tecnici

		BLD683 Tipo 1	
Tensione	V_{CC}	18	
Velocità a vuoto	Min^{-1}	0 - 450 / 0 - 1800	
Coppia max.	Nm	50	
Capacità mandrino	mm	2-13	
Capacità di trapanatura max. nell'acciaio/legno/muratura	mm	13/30/10	
Peso	kg	1,1 kg (senza batteria)	

Caricabatterie		905902**	N517390
Tensione in ingresso	V_{CA}	230	230
Tensione di uscita	V_{CC}	18	18
Corrente	mA	400	1000
Tempo di carica approssimativo	ore	3 - 6,5	1,5 - 2,5

Batteria		BDL1518*	BDL2018*	BDL2518*
Tensione	V_{CC}	18	18	18
Capacità	Ah	1,5	2,0	2,5
Tipo		Ioni di litio	Ioni di litio	Ioni di litio

Livello di pressione sonora misurato in conformità alla norma EN 62841:	
Pressione sonora (L_{pA})	92 dB(A), incertezza (K) 5 dB(A)
Potenza sonora (L_{WA})	100 dB(A), incertezza (K) 5 dB(A)

Valori totali di emissioni di vibrazioni (somma vettore triassiale) in conformità alla norma EN 62841:

Esecuzione di fori nel metallo ($a_{h,d}$) <16,8 m/s², incertezza (K) 1,5 m/s²

Esecuzione di fori nel metallo ($a_{h,d}$) 2,3 m/s², incertezza (K) 1,5 m/s²

Dichiarazione CE di conformità

DIRETTIVA MACCHINE



BLD683 - Trapano a percussione

Black & Decker dichiara che i prodotti descritti al paragrafo "Dati tecnici" sono conformi alle seguenti normative: 2006/42/CE, EN 62841-1:2015+A11:2022, EN 62841-2-1:2018+A11:2019+A1:2022+A12:2022.

Questi prodotti sono anche conformi alle Direttive 2014/30/UE e 2011/65/UE. Per maggiori informazioni contattare Black & Decker al seguente indirizzo oppure consultare l'ultima di copertina del manuale.

Il firmatario è responsabile della compilazione del fascicolo tecnico e rilascia la presente dichiarazione per conto di Black & Decker.

Patrick Diepenbach

Patrick Diepenbach
Direttore generale, Benelux BLACK +DECKER, Richard-Klinger-Strasse 11, 65510 Idstein, Germania
05/10/2024

Garanzia

Certa della qualità dei propri prodotti, Black & Decker offre ai consumatori una garanzia di 24 mesi dalla data di acquisto. Questa garanzia è complementare ai diritti legali del consumatore e non li pregiudica in alcun modo. La garanzia è valida nei territori degli Stati membri dell'Unione Europea, dell'EFTA (Associazione europea di libero scambio) e del Regno Unito.

Per attivare la garanzia, la richiesta di intervento e riparazione in garanzia deve essere effettuata in accordo con i Termini e condizioni Black&Decker e sarà necessario presentare la prova di acquisto al venditore o all'agente di riparazione autorizzato.

I Termini e condizioni della garanzia Black & Decker di 2 anni e la sede del tecnico riparatore autorizzato più vicino sono consultabili su Internet all'indirizzo www.2helpU.com, o contattando l'ufficio Black & Decker di zona all'indirizzo indicato in questo manuale.

Visitare il nostro sito www.blackanddecker.it per registrare il prodotto Black&Decker appena acquistato e ricevere gli aggiornamenti su nuovi prodotti e offerte speciali.

Bedoeld gebruik

Uw BLACK+DECKER BLD683 - klopboormachine is ontworpen voor toepassingen als in- en uitdraaien van schroeven, het boren in hout, metaal, plastic en metselwerk. Dit gereedschap is uitsluitend bedoeld voor gebruik door consumenten.

Veiligheidsinstructies

Algemene veiligheidswaarschuwingen voor elektrisch gereedschap



Waarschuwing! Lees alle veiligheidswaarschuwingen, instructies, illustraties en specificaties die bij dit gereedschap worden verstrekt. Het niet opvolgen van de hieronder vermelde waarschuwingen en instructies kan leiden tot een elektrische schok, brand en/of ernstig persoonlijk letsel.

Bewaar alle waarschuwingen en instructies voor latere raadpleging. De term 'elektrisch gereedschap' in alle waarschuwingen hieronder, heeft betrekking op elektrisch gereedschap voor gebruik op netspanning (met netsnoer) of met een accu (snoerloos).

1. Veiligheid op de werkplek

- a. **Houd uw werkomgeving schoon en opgeruimd.** Op rommelige of donkere plekken zullen sneller ongelukken gebeuren.
- b. **Gebruik elektrisch gereedschap niet in explosieve omgevingen, zoals in de nabijheid van brandbare vloeistoffen, gassen of stof.** Elektrisch gereedschap veroorzaakt vonken die het stof of de dampen kunnen doen ontbranden.
- c. **Houd kinderen en omstanders op afstand tijdens het gebruik van elektrisch gereedschap.** Wanneer u wordt afgeleid kunt u de controle over het gereedschap verliezen.

2. Elektrische veiligheid

- a. **Stekkers van elektrisch gereedschap moeten in het stopcontact passen. Pas de stekker nooit op enige manier aan. Gebruik geen verloopstekkers bij geaard elektrisch gereedschap.** Originele stekkers en bijpassende stopcontacten verminderen het risico op een elektrische schok.
- b. **Vermijd aanraking van het lichaam met geaarde oppervlakken, bijvoorbeeld buizen, verwarmingen, fornuizen en koelkasten.** Er is een groter risico op elektrische schok als uw lichaam contact maakt met aarde.

- c. **Stel elektrisch gereedschap niet bloot aan regen of natte omstandigheden.** Als er water binnendringt in elektrisch gereedschap, verhoogt dit het risico op een elektrische schok.
 - d. **Misbruik het snoer niet. Gebruik het snoer nooit om het elektrisch gereedschap te dragen of naar u toe te trekken of om de stekker uit het stopcontact te trekken.** Houd het snoer uit de buurt van warmte, olie, scherpe randen of bewegende onderdelen. Beschadigde of verwarde snoeren verhogen het risico op een elektrische schok.
 - e. **Gebruik, wanneer u buiten met elektrisch gereedschap werkt, een verlengsnoer dat geschikt is voor gebruik buitenshuis.** Het gebruik van een verlengsnoer dat geschikt is voor werken buitenshuis, vermindert het risico van een elektrische schok.
 - f. **Als u met elektrisch gereedschap werkt op een vochtige locatie, gebruik dan een aardlekschakelaar (RCD).** Met een RCD wordt het risico van een elektrische schok beperkt.
- 3. Persoonlijke veiligheid**
- a. **Blijf alert, kijk wat u doet en gebruik uw gezond verstand wanneer u met elektrisch gereedschap werkt. Gebruik het gereedschap niet wanneer u vermoeid bent of onder invloed van drugs, alcohol of medicatie.** Een moment van onoplettendheid tijdens het bedienen van elektrische gereedschap kan leiden tot ernstig persoonlijk letsel.
 - b. **Gebruik altijd persoonlijke beschermingsmiddelen.** Het gebruiken van persoonlijke beschermingsmiddelen zoals een veiligheidsbril, een stofmasker, antislip werkschoenen, een veiligheidshelm of gehoorbescherming in de juiste omstandigheden, zal het risico op persoonlijke letsels verminderen.
 - c. **Voorkom per ongeluk inschakelen. Verzekert dat de schakelaar in de uit-stand staat voordat u de stekker in het stopcontact steekt en/of de accu plaatst, het gereedschap optilt of draagt.** Elektrisch gereedschap dragen met uw vinger op de schakelaar of de voeding inschakelen van elektrisch gereedschap dat is ingeschakeld, is vragen om ongelukken.
 - d. **Verwijder stelsleutels of steeksleutels voordat u het elektrisch gereedschap inschakelt.** Een steeksleutel of stelsleutel die in een ronddraaiend onderdeel van het elektrische gereedschap is achtergebleven, kan persoonlijk letsel veroorzaken.
 - e. **Reik niet buiten uw macht. Houd uw voeten altijd op de grond en bewaar te allen tijde uw evenwicht.** Hierdoor kunt u het elektrisch gereedschap beter controleren in onverwachte situaties.
 - f. **Draag de juiste kleding. Draag geen losse kleding of sieraden. Houd uw haar, kleding en handschoenen uit de buurt van bewegende onderdelen.** Losse kleding, sieraden en lang haar kunnen in bewegende onderdelen verstrikt raken.
 - g. **Als er uitrusting is geleverd voor het aansluiten van een stofafzuiging of een stofreservoir, controleer dan dat deze zijn aangesloten en op de juiste manier worden gebruikt.** Het gebruik van stofafzuiging kan aan stof gerelateerde gevaren verminderen.
 - h. **Word niet gemakzuchtig doordat u door veelvuldig gebruik vertrouwd bent geraakt met het gereedschap en verlies de veiligheidsbeginselen niet uit het oog.** Een onvoorzichtige handeling kan in een fractie van een seconde ernstig letsel tot gevolg hebben.
- 4. Gebruik en onderhoud van elektrisch gereedschap**
- a. **Forceer het elektrisch gereedschap niet. Gebruik het juiste elektrisch gereedschap voor uw toepassing.** Het juiste elektrisch gereedschap voert de werkzaamheden waarvoor het is ontworpen, beter en veiliger uit.
 - b. **Gebruik het gereedschap niet als het niet met de aan/uit-schakelaar in- en uitgeschakeld kan worden.** Elektrisch gereedschap dat niet kan worden bediend met de aan/uit-schakelaar is gevaarlijk en moet worden gerepareerd.
 - c. **Verwijder de accu, indien mogelijk, van het elektrisch gereedschap en/of activeer een mogelijk apparaat voor het uitschakelen van de accu voordat u geblokkeerd materiaal verwijdert, aanpassingen maakt, accessoires wisselt, elektrisch gereedschap reinigt of opbergt.** Zulke preventieve veiligheidsmaatregelen beperken het risico dat het elektrisch gereedschap per ongeluk wordt gestart.
 - d. **Bewaar elektrisch gereedschap dat niet wordt gebruikt, buiten bereik van kinderen. Laat personen die er niet vertrouwd mee zijn en deze aanwijzingen niet hebben gelezen niet met het gereedschap werken.** Elektrisch gereedschap is gevaarlijk in de handen van onervaren gebruikers.
 - e. **Onderhoud elektrisch gereedschap en accessoires goed. Controleer op verkeerde uitlijning of het aanlopen van bewegende onderdelen, breuk van onderdelen en iedere andere toestand die van invloed kan zijn op de werking. Laat het gereedschap vóór gebruik repareren als het beschadigd is.** Veel ongelukken worden veroorzaakt door slecht onderhouden elektrisch gereedschap.
 - f. **Houd zaaggereedschap scherp en schoon.** Goed onderhouden gereedschap met scherpe snijranden loopt minder snel vast en is gemakkelijker onder controle te houden.

- g. Gebruik elektrisch gereedschap, toebehoren, zaagjes en boortjes, enz., volgens deze aanwijzingen. Let daarbij op de arbeidsomstandigheden en de uit te voeren werkzaamheden.** Gebruik van het elektrische gereedschap voor andere werkzaamheden dan waarvoor het bedoeld is, kan leiden tot gevaarlijke situaties.
- h. Breng geen wijzigingen aan het gereedschap aan.** Wijzigingen kunnen de effectiviteit van de veiligheidsmaatregelen doen afnemen en de risico's voor de gebruiker en/of omstaanders doen toenemen.
- i. Houd de handgrepen en greepoppervlakken droog, schoon en vrij van olie en vet.** Gladde handgrepen en greepoppervlakken kunnen leiden tot onveilige hantering en/of verlies van de controle over het gereedschap.
- j. Houd slangen en elektrische kabels uit de buurt van de plaats waar het gereedschap gebruikt wordt.** Tijdens gebruik kunnen slangen en elektrische kabels niet zichtbaar zijn en per ongeluk beschadigd worden door het gereedschap.
- 5. Gebruik en onderhoud van accugereedschap**
- a. Laad accu's alleen op met de door de fabrikant aanbevolen lader.** Een lader die geschikt is voor het ene type accu, kan een risico van brand doen ontstaan bij gebruik met een andere accu.
- b. Gebruik elektrisch gereedschap alleen in combinatie met specifiek vermelde accu's.** Het gebruik van andere accu's kan gevaar voor letsel en brand opleveren.
- c. Houd de accu, wanneer u deze niet gebruikt, weg bij andere metalen objecten zoals paperclips, munten, sleutels, spijkers, schroeven of andere kleine metalen voorwerpen die een verbinding tot stand kunnen brengen tussen de ene pool en de andere.** Als kortsluiting tussen de polen van de accu's wordt gemaakt, kunnen brandwonden of brand worden veroorzaakt.
- d. Wanneer de accu slecht wordt behandeld, kan er vloeistof uit de accu spuiten, vermijd contact met deze vloeistof. Spoel met water als u per ongeluk contact maakt met de vloeistof. Als de vloeistof in de ogen komt, roep dan ook medische hulp in.** Vloeistof die uit de batterij komt, kan irritatie en brandwonden veroorzaken.
- e. Werk niet met een accu of met gereedschap dat beschadigd is of waaraan wijzigingen zijn aangebracht.** Beschadigde of aangepaste accu's kunnen zich onvoorspelbaar gedragen, wat kan leiden tot brand, explosie of een risico op letsel.
- f. Stel een accu of gereedschap niet bloot aan vuur of uitzonderlijk hoge temperaturen.** Brand of een temperatuur boven de 130 °C kunnen de accu doen exploderen. **OPMERKING:** Voor de temperatuur van „130 °C“ kunt u lezen de temperatuur van „265 °F“.
- g. Volg alle instructies voor het opladen en laad de accu of het gereedschap niet op buiten het temperatuurbereik dat in de instructies wordt opgegeven.** Door op onjuiste wijze opladen of opladen bij een temperatuur buiten het opgegeven bereik kan de accu beschadigd raken en het risico van brand toenemen.
- h. Het gereedschap of de accu nooit onderdompelen in water.** Onderdompelen in water verhoogt het risico op oververhitting, brand en/of explosie, wat kan leiden tot persoonlijk letsel en materiële schade.
- i. Het gereedschap of de accu nooit blootstellen aan corrosieve of geleidende vloeistoffen zoals zeewater, industriële chemicaliën, bleekmiddel, enz.** Het insijpelen van corrosieve of geleidende vloeistoffen verhoogt het risico op oververhitting, brand en/of explosie, wat kan leiden tot persoonlijk letsel en materiële schade.
- 6. Onderhoud**
- a. Laat uw elektrisch gereedschap nazien door een gekwalificeerde monteur die alleen identieke vervangende onderdelen gebruikt.** Dit zal verzekeren dat de veiligheid van het elektrisch gereedschap behouden blijft.
- b. Voer nooit servicewerkzaamheden uit aan beschadigde accu's.** De reparaties aan accu's mogen alleen worden uitgevoerd door de fabrikant of door geautoriseerde servicecentra.
- Veiligheidsvoorschriften voor alle werkzaamheden**
- ◆ **Draag gehoorbescherming wanneer u de boorhamer gebruikt.** Blootstelling aan lawaai kan gehoorbeschadiging veroorzaken.
 - ◆ **Houd het gereedschap goed vast voor u begint.** Dit gereedschap heeft een hoog vermogen, wanneer u het gereedschap tijdens gebruik niet goed vasthoudt kunt u de controle over het gereedschap verliezen wat kan leiden tot persoonlijk letsel.
 - ◆ **Houd het gereedschap alleen vast aan geïsoleerde oppervlakken wanneer u een handeling uitvoert waarbij het accessoire van het zaaggereedschap in contact kan komen met verborgen bedrading.** Accessoires van gereedschap die in contact komen met bedrading die onder stroom staat, kunnen metalen onderdelen van het gereedschap onder stroom zetten en de gebruiker een elektrische schok geven.
- Veiligheidsinstructie bij het gebruik van lange boren**
- ◆ **Werk nooit op een hogere snelheid dan de maximale nominale snelheid van de boor.** Bij hogere snelheden zal de boor waarschijnlijk buigen als deze vrij kan draaien zonder contact te maken met het werkstuk, wat kan leiden tot persoonlijk letsel.

- ◆ **Begin altijd met boren op een lage snelheid met de boor in contact met het werkstuk.** Bij hogere snelheden zal de boor waarschijnlijk buigen als deze vrij kan draaien zonder contact te maken met het werkstuk, wat kan leiden tot persoonlijk letsel.
- ◆ **Oefen alleen in een directe lijn met de boort druk uit en oefen niet te veel druk uit.** Boren kunnen doorbuigen waardoor de boor kan breken of de gebruiker de controle kan verliezen, wat kan leiden tot persoonlijk letsel.

- ◆ **Houd het elektrisch gereedschap vast bij de geïsoleerde greepoppervlakken wanneer u werkzaamheden uitvoert waarbij het zaagaccessoire verborgen bedrading kan raken.** Als het zaagaccessoire in contact komt met bedrading 'onder spanning', kunnen metalen delen van het elektrisch gereedschap 'onder spanning' komen te staan en de gebruiker een elektrische schok geven.

- ◆ **Houd elektrisch gereedschap vast bij de geïsoleerde greepoppervlakken wanneer u werkzaamheden uitvoert waarbij het bevestigingsmateriaal verborgen bedrading kan raken.** Bevestigingsmateriaal dat in contact komt met bedrading 'onder spanning', kan de metalen delen van het elektrisch gereedschap 'onder spanning' zetten en de gebruiker een elektrische schok geven.

- ◆ **Zet met klemmen of op een andere praktische wijze het werkstuk vast en ondersteunen het op een stabiel oppervlak.** Wanneer u het werkstuk met de hand vasthoudt of het tegen uw lichaam drukt, kan het instabiel worden en kunt u de controle verliezen.

- ◆ Controleer, voordat u in wanden, vloeren of plafonds boort, de locatie op de aanwezigheid van bedrading of leidingen.

- ◆ Raak de punt van het boortje niet vlak na het boren aan, omdat het heet kan zijn.

- ◆ Het bedoeld gebruik wordt in deze gebruikershandleiding beschreven. Het gebruik van een accessoire of hulpstuk of uitvoering van een handeling met dit gereedschap dat/ die niet in deze instructiehandleiding wordt aanbevolen, kan een risico van persoonlijk letsel en/of materiële schade inhouden.

Veiligheid van anderen

- ◆ Dit gereedschap mag niet worden gebruikt door personen (met inbegrip van kinderen) die lichamelijk of geestelijk mindervalide zijn of die geen ervaring met of kennis van dit gereedschap hebben, tenzij ze onder toezicht staan of instructies krijgen wat betreft het gebruik van het gereedschap van een persoon die verantwoordelijk is voor hun veiligheid.
- ◆ Er moet toezicht op kinderen worden gehouden om te verzekeren dat ze niet met het apparaat spelen.

Overige risico's

Er kunnen zich bij het gebruik van dit gereedschap nog meer risico's vormen, die mogelijk niet in de bijgesloten veiligheidswaarschuwingen worden beschreven. Deze risico's kunnen zich voordoen door onoordeelkundig gebruik, langdurig gebruik, enz. Zelfs als de veiligheidsvoorschriften in acht worden genomen en de veiligheidsvoorzieningen worden gebruikt, kunnen bepaalde risico's niet worden vermeden.

Aanvullende veiligheidswaarschuwingen voor een Boormachine/schroevendraaier/klopboor

- ◆ **Zet het werkstuk met klemmen of op een andere praktische manier vast en ondersteun het op een stabiele ondergrond.** Wanneer u het werkstuk vasthoudt met de hand of tegen uw lichaam gedrukt houdt, is het instabiel en kunt u de controle verliezen.
- ◆ **Accessoires en het gereedschap kunnen tijdens het werken heet worden.** Draag wanneer u ze hanteert handschoenen als u toepassingen uitvoert waarbij warmte vrijkomt, zoals het boren in metaal.
- ◆ **Ventilatieopeningen bedekken vaak bewegende onderdelen en kunnen beter niet worden aangeraakt.** Loszittende kleding, sieraden of lang haar kunnen door bewegende delen worden gegrepen.
- ◆ **Draag een veiligheidsbril of andere bescherming van uw ogen.** Tijdens het werken met de boor of hamerboor kunnen er kleine stukjes materiaal in het rond vliegen. Deeltjes die worden weggeslingerd, kunnen permanente beschadiging van de ogen veroorzaken.
- ◆ **Draag gehoorbescherming wanneer u de boorhamer gebruikt.** Blootstelling aan lawaai kan gehoorbeschadiging veroorzaken.
- ◆ **Gebruik de hulphandgrepen als die bij het gereedschap worden geleverd.** Verlies van controle kan persoonlijk letsel tot gevolg hebben.
- ◆ **Werk niet lange tijd achtereen met dit gereedschap.** Trillingen die worden veroorzaakt door werking van het gereedschap kunnen schadelijk zijn voor uw handen en armen. Gebruik handschoenen voor extra demping en beperk blootstelling door regelmatig rustperiodes in te lassen.

Aanvullende veiligheidswaarschuwingen voor elektrisch gereedschap



Waarschuwing! Aanvullende veiligheidswaarschuwingen voor klopboormachines

- ◆ **Gebruik de hulphandgrepen die bij het gereedschap worden geleverd.** Verlies van controle kan persoonlijk letsel tot gevolg hebben.

Dit zijn onder meer:

- ◆ Letsels veroorzaakt door het aanraken van draaiende/ bewegende onderdelen.
- ◆ Letsels veroorzaakt bij het vervangen van onderdelen, zaagbladen of accessoires.
- ◆ Letsels veroorzaakt door langdurig gebruik van gereedschap. Zorg er bij het gedurende langere periodes gebruiken van gereedschap voor dat u regelmatig pauzes neemt.
- ◆ Beschadiging van het gehoor.
- ◆ Gezondheidsrisico's die worden veroorzaakt door het inademen van stof dat ontstaat bij het gebruik van het gereedschap (bijvoorbeeld: werken met hout, vooral eikenhout, beukenhout en MDF.)

Geluid en trilling

De in de technische gegevens en de conformiteitsverklaring opgegeven waarden voor geluids- en trillingsemissie, zijn gemeten conform een standaardtestmethode die door EN 62841 wordt verstrekt en kunnen worden gebruikt om het een gereedschap met het andere te vergelijken. De opgegeven waarde voor geluids- en trillingsemissie kan ook worden gebruikt bij een voorlopige bepaling van blootstelling.

Waarschuwing! De waarde voor geluids- en trillingsemissie tijdens het werkelijke gebruik van het elektrisch gereedschap kan verschillen van de opgegeven waarde, afhankelijk van de manieren waarop het gereedschap wordt gebruikt. Het trillingsniveau kan toenemen tot boven het vermelde niveau. Tijdens het beoordelen van de blootstelling aan trillingen met als doel het bepalen welke veiligheidsmaatregelen worden vereist door 2002/44/EC voor het beschermen van personen die tijdens hun werk regelmatig elektrisch gereedschap gebruiken, moet een schatting van de blootstelling aan trillingen rekening houden met de feitelijke omstandigheden waarin en de manier waarop het gereedschap wordt gebruikt, waarbij ook rekening moet worden gehouden met alle onderdelen van de bedrijfscyclus, zoals de tijden dat het gereedschap is uitgeschakeld en wanneer het stationair draait, naast de inschakeltijd.

Labels op het gereedschap

Naast de datumcode worden de volgende pictogrammen op het gereedschap getoond:



Waarschuwing! De gebruiker moet de gebruikshandleiding lezen, om het risico op letsel te verminderen.



Kijk niet in een brandende lamp

Aanvullende veiligheidsinstructies voor accu's en laders

Accu's

- ◆ Probeer accu's nooit, om welke reden dan ook, te openen.
- ◆ Stel de accu niet bloot aan water.
- ◆ Bewaar de accu niet op plaatsen met temperaturen hoger dan 40°C.
- ◆ Laad de accu alleen op bij een omgevingstemperatuur tussen 10 °C en 40 °C.
- ◆ Gebruik alleen de lader die bij het gereedschap is geleverd.
- ◆ Gooi lege accu's weg volgens de instructies in het deel "Het milieu beschermen".



Probeer niet om beschadigde accu's op te laden.

- ◆ Beschadig/vervorm de accubehuizing niet door er gaten in te prikken of deze te stoten, omdat dit een risico op letsel en brand kan vormen.
- ◆ Onder extreme omstandigheden kan lekkage van accu's optreden. Wanneer de accu nat of vochtig is, veegt u de vloeistof voorzichtig af met een doek. Vermijd contact met de huid.
- ◆ Bij huid- of oogcontact volgt u de onderstaande instructies.

Waarschuwing! De accuvloeistof kan persoonlijk letsel of materiële schade veroorzaken. Bij huidcontact moet u de vloeistof direct afspoelen met water. Raadpleeg uw huisarts als er rode vlekken ontstaan of bij een pijnlijke of geïrriteerde huid. Bij contact met de ogen moet u onmiddellijk spoelen met water en medische hulp zoeken.

Laders

Uw lader werd ontworpen voor een bepaalde spanning. Controleer altijd dat de stroomvoorziening in overeenstemming is met de spanning op het typeplaatje.

Waarschuwing! Probeer nooit om de stekker van de lader te vervangen door een normale netstekker.

- ◆ Gebruik uw BLACK+DECKER-lader uitsluitend voor het opladen van de accu die bij het gereedschap is geleverd. Andere accu's kunnen openbarsten en persoonlijk letsel en materiële schade veroorzaken.
- ◆ Probeer nooit om niet-oplaadbare accu's op te laden.
- ◆ Als het netsnoer is beschadigd, moet dit worden vervangen door de fabrikant of een geautoriseerd servicecentrum, zodat gevaarlijke situaties worden voorkomen.
- ◆ Een defect snoer moet direct worden vervangen.
- ◆ Stel de lader niet bloot aan water.
- ◆ Open de lader niet.
- ◆ Steek niet met iets in de lader.

- ◆ Laad het apparaat/het gereedschap/de accu in een goed geventileerde locatie op.



De lader is uitsluitend bedoeld voor gebruik binnen.



Lees de gebruikershandleiding vóór gebruik.

Elektrische veiligheid



Uw lader is dubbel geïsoleerd, daarom is een aardingsdraad niet nodig. Controleer altijd dat de stroomvoorziening in overeenstemming is met de spanning op het typeplaatje. Probeer nooit om de stekker van de lader te vervangen door een normale netstekker.

- ◆ Als het netsnoer beschadigd is, dan moet het worden vervangen door de fabrikant of een erkend BLACK+DECKER-servicecentrum, om gevaarlijke situaties te vermijden.

Kenmerken

Dit gereedschap omvat enkele of alle van de volgende functies.

1. Schakelaar voor variabele snelheid
2. Schuifknop vooruit/achteruit
3. Stelkraag aanhaalmoment
4. Sleutellose spankop
5. Vertanding voor dubbel bereik
6. LED-werklamp
7. Riemhaak (verkrijgbaar bij alle modellen)
8. Batterij
9. Accuvrijgaveknop

Montage

Gebruik

Waarschuwing! Laat het gereedschap op z'n eigen snelheid werken. Niet overbelasten.

De accu opladen (Afb. A1, A2)

De accu moet vóór het eerste gebruik worden opgeladen en ook zodra de accu niet meer voldoende vermogen levert voor taken die eerst gemakkelijk konden worden uitgevoerd. De accu kan warm worden tijdens het opladen; dit is normaal en wijst niet op een probleem.

Waarschuwing! Laad de accu niet op bij een omgevingstemperatuur lager dan 10 °C of hoger dan 40 °C. De aanbevolen laadtemperatuur: ongeveer 24 °C.

Opmerking: De lader zal de accu niet opladen als de celtemperatuur lager is dan ongeveer 10 °C of hoger dan 40 °C.

De accu moet in de lader blijven en de lader zal vanzelf de accu beginnen opladen als de celtemperatuur stijgt of daalt.

- ◆ Steek de stekker van de lader (10) in een gewoon stopcontact van 230 V/50 Hz.
- ◆ Schuif de accu (8) in de lader, zoals wordt weergegeven op Afb. A1, A2.

De LED (10a) gaat knipperen om aan te geven dat de accu wordt opgeladen.

Een volledig opgeladen accu wordt aangegeven door het ononderbroken blijven branden van de LED (10a). De accu is volledig opgeladen en kan worden gebruikt of in de acculader blijven zitten.

Waarschuwing! Brandgevaar. Wanneer u de accu uit de lader haalt, moet u eraan denken dat u eerst de stekker van de lader uit het stopcontact trekt en dan de accu uit de lader neemt.

Diagnosefuncties van de lader

Deze lader is zo ontworpen dat bepaalde problemen die zich kunnen voordoen met accu's of met de stroomvoorziening, kunnen worden gedetecteerd. Problemen worden aangeduid door middel van een LED die in verschillende patronen knippert.

Slechte accu

De accu kan detecteren dat een accu zwak is of beschadigd. De LED knippert in een patroon dat op het label wordt vermeld. Als u dit knipperpatroon van een slechte accu ziet, ga dan niet door met het opladen van de accu. Breng de accu terug naar het servicecentrum of naar een inzamelpunt waar de accu kan worden gerecycled.

Vertraging Warme/Koude Accu

Wanneer de lader detecteert dat een accu veel te warm of veel te koud is, wordt automatisch een Vertraging Warme/Koude Accu gestart, en wordt het laden opgeschort tot de accu een normale temperatuur heeft bereikt. Wanneer dat zo is, schakelt de lader automatisch over op de stand Accu Opladen. Deze functie waarborgt een maximale levensduur van de accu. Het lampje knippert in een patroon dat op het label wordt vermeld.

De accu in de acculader laten zitten

De accu kan in de lader gelaten worden met een LED-lampje dat blijft branden. De lader houdt de accu volledig opgeladen.

Belangrijke opmerkingen over het laden

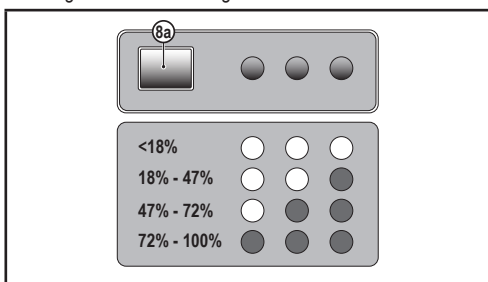
- ◆ De langste levensduur en de beste prestaties kunt u bereiken als u de accu oplaadt bij een luchttemperatuur tussen 18 ° en 24 °C.

Laad de accu NIET op bij een luchttemperatuur lager dan +4,5 °C), of hoger dan +40 °C. Dit is belangrijk en zal ernstige beschadiging van de accu voorkomen.

- ◆ De lader en de accu kunnen tijdens het opladen warm aanvoelen. Dit is normaal en wijst niet op een probleem. De accu zal na gebruik sneller afkoelen wanneer u de lader en de accu niet in een warme omgeving plaatst, zoals een metalen schuur of een ongeluk isoleerde aanhanger.
- ◆ Als de accu niet goed oplaadt:
 - ◆ Controleer de werking van het stopcontact door er een lamp of een ander apparaat op aan te sluiten;
 - ◆ Controleer of het stopcontact is verbonden met een lichtsckelaar, die het stopcontact zonder spanning zet wanneer u de lichten uitschakelt;
 - ◆ Verplaats de lader en de accu naar een plaats waar de omgevingstemperatuur ongeveer tussen 18 ° en 24 °C is;
 - ◆ Breng, als de problemen met het opladen aanhouden, het gereedschap, de accu en de lader naar uw plaatselijk servicecentrum.
- ◆ De accu moet worden opgeladen wanneer deze niet voldoende vermogen levert voor werkzaamheden die eerder zonder veel moeite werden uitgevoerd. NIET BLIJVEN GEBRUIKEN in deze omstandigheden. Volg de procedure voor het opladen. U kunt ook een gedeeltelijk ontladen accu opladen wanneer u dat wilt, zonder dat dit negatieve gevolgen heeft voor de accu.
- ◆ Houd vreemde materialen die geleidende eigenschappen hebben, zoals, maar niet uitsluitend, slijpstof, metaalsnippers, staalwol, aluminiumfolie of een ophoping van metaaldeeltjes, weg uit de uitsparingen in de lader. Trek de stekker uit het stopcontact voordat u de lader schoonmaakt.
- ◆ Laat de lader niet bevriezen en dompel de lader niet onder in water of andere vloeistoffen.

Indicatielampje status opladen accu (Afb. B)

Deze accu is voorzien van een laadniveau-indicator, zodat u snel de laadstatus van de accu kunt zien, zoals afgebeeld in afbeelding B. Door op de laadniveau-knop (8a) te drukken kunt u eenvoudig de resterende lading van de accu zien, zoals afgebeeld in afbeelding B.



De accu in het gereedschap plaatsen of uit het gereedschap nemen (Afb. C)

Waarschuwing! Controleer dat de knop voor vergrendeling in de uit-stand (2) is ingeschakeld, zodat de schakelaar niet kan worden bediend en verwijder of plaats daarna pas de accu. Om de accu te plaatsen:

- ◆ Steek de accu (8) in het gereedschap en duw tot u een klik hoort (Afb. C)

De accu uit het gereedschap nemen (Afb. C)

- ◆ Druk de accuvrijgaveknop (9) in zoals wordt weergegeven op (Afb. C) en trek de accu uit het gereedschap.

Riemhaak (Afb. D, E)

Waarschuwing! Voorkom het risico van ernstig persoonlijk letsel: plaats de vooruit/achteruit-knop in de vergrendel/uit-positie of schakel het gereedschap uit en haal de accu eruit voordat u aanpassingen aanbrengt of hulpstukken of accessoires verwijdert/plaatst. Onbedoeld starten kan letsel veroorzaken.

Waarschuwing! Gebruik de riemhaak (7) ALLEEN om het gereedschap aan een werkkriem te hangen, om het risico op ernstig persoonlijk letsel te verminderen. Gebruik de riemhaak (7) NIET om het gereedschap aan een persoon of voorwerp te hangen of vast te maken tijdens gebruik. Hang het gereedschap NIET boven uw hoofd en hang geen voorwerpen op aan de riemhaak.

Waarschuwing! Beperk het risico van ernstig persoonlijk letsel, let erop dat de schroef (11) waarmee de riemhaak vastzit, goed is bevestigd.

Opmerking: Gebruik voor het bevestigen of opnieuw plaatsen van de riemhaak (7) alleen de bijgeleverde schroef (11). Let erop dat u de schroef stevig vastdraait.

De riemhaak (7) kan worden bevestigd door deze in de sleuven te schuiven (13) aan beide zijden van het gereedschap met gebruik van de bijgeleverde schroef (11), voor zowel links- als rechtshandig gebruik. Als u de haak niet wilt gebruiken, kunt u deze van het gereedschap verwijderen. U kunt de riemhaak verplaatsen door de schroef (11) die de riemhaak (7) op z'n plaats houdt, te verwijderen en aan andere zijde weer te monteren. Verzekert dat u de schroef (11) stevig vast draait.

Bedieningsinstructies

Aan/uit-schakelaar & omkeerknop (Afb. F)

- ◆ De boormachine wordt in- en uitgeschakeld door de aan/uit-schakelaar (1) in te trekken en los te laten. Hoe verder u de Aan/Uit-schakelaar indrukt, des te hoger de snelheid van de boormachine.
- ◆ Met de knop voor vooruit/achteruit (2) bepaalt u de draairichting van het gereedschap. Deze knop dient ook als ontgrendelingsknop.

- ◆ Laat om de voorwaartse draairichting te selecteren de aan/uit-schakelaar los en duw de regelknop vooruit/achteruit naar links.
- ◆ Duw om de achterwaartse draairichting te selecteren de knop vooruit/achteruit-knop in de tegengestelde richting.

Opmerking: In de middenpositie van de regelknop is het gereedschap vergrendeld in de uit-stand. Wanneer u de stand van de regelknop wijzigt, is het vooral belangrijk dat u de aan/uit-schakelaar loslaat.

Regeling van het aanhaalmoment (Afb. G)

Dit gereedschap is voorzien van een stelkraag voor het instellen van het aanhaalmoment (3) om de bedrijfsstand te selecteren en om het aanhaalmoment voor het aandraaien van schroeven in te stellen. Grote schroeven en harde werkstukmaterialen vereisen een hogere draaimoment-instelling dan kleine schroeven en zachte werkstukmaterialen.

- ◆ Als u in hout, metaal of kunststof wilt boren, stelt u de stelling in op het klopborsymbool.
- ◆ Zet voor boren in metselwerk de kraag op het klopborsymbool.
- ◆ Zet voor het in- of uitdraaien van schroeven de stelling op de gewenste stand. Ga als volgt te werk als u niet weet wat de juiste instelling is:
 - ◆ Stel de stelling in op de laagste torsie-instelling.
 - ◆ Draai de eerste schroef aan.
 - ◆ Verhoog als de koppeling ratelt voordat het gewenste resultaat is bereikt, de instelling van de stelling en ga daarna verder met het aandraaien van de schroef. Herhaal dit tot u de juiste instelling hebt bereikt. Gebruik deze instelling voor de resterende schroeven.

Sleutellose boorkop (Afb. H)

Waarschuwing! Controleer dat de knop voor vergrendeling in de uit-stand (2) is ingeschakeld, zodat de schakelaar niet kan worden bediend, en verwijder of plaats daarna pas accessoires.

Een boor of een ander accessoire plaatsen:

- ◆ Pak het gereedschap met één hand vast en draai met uw andere hand het voorste deel, gezien vanaf het uiteinde van de boorkop (4), naar links.
- ◆ Plaats de boor of het andere accessoire geheel in de boorkop en zet het stevig vast door de boorkop rechtsom te draaien, zoals gezien vanuit de boorkop.

Waarschuwing! Probeer niet boortjes (of een ander accessoire) vast te zetten door het voorste gedeelte van de boorkop vast te grijpen en het gereedschap in te schakelen. Beschadiging van de boorkop en persoonlijk letsel kan voorkomen tijdens het wisselen van accessoires.

Dubbele overbrenging (Afbeelding I)

Met de functie dubbele overbrenging van uw boormachine, kunt u een andere vertanding kiezen voor meer veelzijdigheid.

U kunt een instelling met een lage snelheid, groot aanhaalmoment (stand 1) kiezen door het gereedschap uit te schakelen en tot stilstand te laten komen. Schuif de knop (5) voor het wijzigen van de overbrenging weg van de boorkop. U kunt een instelling met een hoge snelheid, laag aanhaalmoment (stand 2) kiezen door het gereedschap uit te schakelen en tot stilstand te laten komen. Schuif de knop voor het wijzigen van de overbrenging naar de boorkop toe.

Opmerking: Wijzig de overbrenging niet wanneer het gereedschap loopt. Als het u niet lukt de overbrenging te wijzigen, controleer dan dat de knop voor het wijzigen van de overbrenging volledig naar voor of volledig naar achter is geduwd.

Boren/schroeven draaien

- ◆ Selecteer met de schuifknop voor vooruit/achteruit (2) de draairichting vooruit/achteruit.
- ◆ Schakel het gereedschap in met een druk op de schakelaar (1). De snelheid van het gereedschap hangt af van hoe ver u de schakelaar indrukt.
- ◆ Laat de schakelaar los als u het gereedschap wilt uitschakelen.

Tips voor optimaal gebruik

Boren

- ◆ Gebruik alleen scherpe boortjes.
- ◆ Ondersteun het werkstuk en zet het goed vast, volgens de aanwijzingen in de Veiligheidsinstructies.
- ◆ Gebruik de gepaste en vereiste veiligheidsuitrusting, volgens de aanwijzingen in de Veiligheidsinstructies.
- ◆ Maak het werkgebied veilig, volgens de aanwijzingen in de Veiligheidsinstructies.
- ◆ Laat de boormachine langzaam werken, oefen lichte druk uit tot het gat voldoende diep is en het boortje niet meer kan weglopen.
- ◆ Oefen druk uit in een rechte lijn met de boor. Duw hard genoeg om de boor te laten boren, maar niet zo hard dat de motor blijft steken of dat de boor opzij beweegt.
- ◆ Houd de boormachine stevig vast met twee handen om de draaibeweging goed te kunnen controleren.
- ◆ **SCHAKEL EEN VASTGELOPEN BOORMACHINE NIET IN EN UIT ALS EEN POGING OM DEZE OPNIEUW TE STARTEN. DE BOORMACHINE KAN HIERDOOR BESCHADIGD RAKEN.**
- ◆ Verklein de kans op vastlopen in het laatste gedeelte van het boren door dan de druk te verminderen en langzaam te boren.
- ◆ Laat de motor draaien terwijl u de boor uit het geboorde gat trekt. Dit helpt om vastlopen te verminderen.
- ◆ Controleer dat de Aan/Uit-schakelaar goed werkt.

Boren in hout

U kunt gaten in hout boren met dezelfde boortjes die u voor metaal gebruikt of met een speciale houtboor. Deze boren moeten scherp zijn en moeten tijdens het boren vaak uit het gat worden getrokken, zodat de spaanders uit de groeven kunnen ontsnappen.

In metaal boren

Gebruik een snijvloeistof wanneer u in metalen boort. De uitzonderingen zijn gietijzer en messing, deze metalen kunnen droog worden geboord. De smeermiddelen voor het boren die het beste werken zijn snij-olie en reuzelolie.

In steen boren

Voor boren in steen zet u de ring (3) in de boorhamerstand door het symbool op één lijn te brengen met de markering. Schuif de keuzeschakelaar voor de snelheid (5) richting de voorkant van het gereedschap (2e versnelling).

Schroeven draaien

- ◆ Gebruik altijd het juiste type en formaat schroefbit.
- ◆ Als schroeven moeilijk kunnen worden vastgedraaid, kunt u een kleine hoeveelheid afwasmiddel of zeep als smeermiddel gebruiken.
- ◆ Houd het gereedschap en de schroefbit altijd op één lijn met de schroef

Problemen oplossen

Probleem	Mogelijke oorzaak	Mogelijke oplossing
Eenheid start niet.	Accu is niet opgeladen.	Controleer de eisen die aan het laden van de accu worden gesteld
Accu laadt niet op.	De stekker van de lader zit niet in het stopcontact. Temperatuur van de omgevingslucht is te hoog of te laag.	Steek de stekker van de lader in een stopcontact waar spanning op staat. Verplaats de lader en de accu naar een locatie waar de luchttemperatuur hoger is dan 45°C (40 graden F) en lager is dan 40,5°C (105 graden F)
De unit schakelt plots uit.	Accu heeft de maximale temperatuur bereikt. Zonder lading. (De accu is zo ontworpen dat hij zichzelf plotseling uitschakelt wanneer hij bijna leeg is, om de levensduur van de accu te verlengen.)	Laat de accu afkoelen. Plaats de accu op de lader en laad de accu op.

Onderhoud

Het BLACK+DECKER-gereedschap is ontworpen om gedurende lange tijd zijn werk te doen met een minimum aan onderhoud.

Voortdurend gebruik naar tevredenheid van de gebruiker is afhankelijk van de juiste verzorging en regelmatige reiniging van het gereedschap.

De lade vraagt geen onderhoud behalve regelmatige reiniging. **Waarschuwing!** Verwijder eerst de accu uit het gereedschap en voer daarna pas onderhoudswerk uit. Trek de stekker van de lader uit het stopcontact voordat u begint met schoonmaken.

- ◆ Reinig regelmatig de ventilatieopeningen van het gereedschap en de lader met een zachte borstel of droge doek.
- ◆ Reinig de motorbehuizing regelmatig met een vochtige doek. Gebruik geen een schuurmiddel of schoonmaakmiddel op basis van een oplosmiddel.
- ◆ Open regelmatig de boorknop en tik erop om eventueel stof uit het binnenste te verwijderen.

Het milieu beschermen



Gescheiden afvalinzameling. Producten en accu's die zijn voorzien van dit symbool mogen niet worden weggegooid bij het normale huishoudafval.

Producten en accu's bevatten materialen die kunnen worden teruggewonnen of gerecycled, waardoor de vraag naar ruwe grondstoffen afneemt. Recycle elektrische producten en accu's volgens de ter plaatse geldende voorschriften. Nadere informatie is beschikbaar op www.2helpU.com

Technische gegevens

		BLD683 Type 1	
Spanning	V_{DC}	18	
Snelheid onbelast	Min^{-1}	0 - 450 / 0 - 1800	
Max. koppel	Nm	50	
Capaciteit boorkop	mm	2-13	
Max. boorcapaciteit staal/hout/met-selwerk	mm	13/30/10	
Gewicht	kg	1,1 kg (zonder accu)	

Lader		905902**	N517390
Ingangsspanning	V_{AC}	230	230
Uitgangsspanning	V_{DC}	18	18
Stroom	mA	400	1000
Laadtijd bij benadering	Uren	3 - 6,5	1,5 - 2,5

Batterij		BDL1518*	BDL2018*	BDL2518*
Spanning	V_{DC}	18	18	18
Capaciteit	Ah	1,5	2,0	2,5
Type		Li-Ion	Li-Ion	Li-Ion

Geluidsrukniveau, volgens EN 62841:	
Geluidsdruk (L_{pA})	92 dB(A), onzekerheid (K) 5 dB(A)
Geluidsdruk (L_{pA})	100 dB(A), onzekerheid (K) 5 dB(A)

Totale trillingswaarden (som triaxvector) volgens EN 62841:	
Boren in beton ($a_{h, ID}$)	16,8 m/s^2 , onzekerheid (K) 1,5 m/s^2

Totale trillingswaarden (som triaxvector) volgens EN 62841:

Boren in metaal ($a_{h,c}$) 2,3 m/s², onzekerheid (K) 1,5 m/s²

EG-conformiteitsverklaring
MACHINERICHTLIJN



BLD683 - klopboormachine

Black & Decker verklaart dat deze producten die worden beschreven onder "technische gegevens" conform zijn aan: 2006/42/EC, EN 62841-1:2015+A11:2022, EN 62841-2-1:2018+A11:2019+A1:2022+A12:2022.

Deze producten zijn ook conform richtlijnen 2014/30/EU en 2011/65/EU. Neem voor meer informatie contact op met Black & Decker op het volgende adres of raadpleeg de achterkant van de handleiding.

Ondergetekende is verantwoordelijk voor de samenstelling van het technische bestand en legt deze verklaring af namens Black & Decker.

Patrick Diepenbach

Patrick Diepenbach

General Manager, Benelux BLACK +DECKER, Richard-Klinger-Strasse 11, 65510 Idstein, Germany
5-10-2024

Garantie

Black & Decker vertrouwt op de kwaliteit van zijn producten en biedt consumenten een garantie van 24 maanden vanaf de aankoopdatum. Deze garantie is een aanvulling op uw wettelijke rechten en heeft op geen enkele manier voorrang daarop. De garantie is geldig op het grondgebied van de Lidstaten van de Europese Unie en de Europese Vrijhandelszone en het Verenigd Koninkrijk.

Voor een garantie-aanspraak moet uw aanspraak in overeenstemming zijn met de Voorwaarden en Condities van Black & Decker en moet u een bewijs van aankoop overleggen aan de verkoper of aan een geautoriseerde reparatiemonteur.

De voorwaarden en condities van de Black & Decker-garantie van 2 jaar en de vestiging van de dichtstbijzijnde erkende reparatiemonteur kunt u opvragen op internet via www.2helpU.com, of door contact op te nemen met uw Black & Decker-kantoor ter plaatse, op het adres dat in deze handleiding wordt vermeld.

Bezoek onze website www.blackanddecker.eu, waar u uw nieuwe Black & Decker-product kunt registreren en het laatste nieuws vindt over nieuwe producten en speciale aanbiedingen.

Uso previsto

El taladro de impacto BLD683 de BLACK+DECKER ha sido diseñado para aplicaciones de atornillado y para taladrar madera, metales y mampostería. Esta herramienta ha sido concebida solo para uso doméstico.

Instrucciones de seguridad

Advertencias de seguridad generales para herramientas eléctricas



¡Advertencia! Lea todas las advertencias de seguridad, instrucciones, ilustraciones y especificaciones suministradas con esta herramienta eléctrica. El incumplimiento de las advertencias e instrucciones que aparecen a continuación podría provocar una descarga eléctrica, un incendio y/o lesiones graves.

Guarde todas las advertencias e instrucciones para poder consultarlas con posterioridad. El término "herramienta eléctrica" que aparece en todas las advertencias que aparecen a continuación se refiere a la herramienta eléctrica que funciona a través de la red eléctrica (con cable) o a la herramienta eléctrica que funciona con batería (sin cable).

1. Seguridad en la zona de trabajo

- a. **Mantenga limpia y bien iluminada el área de trabajo.**
Las áreas en desorden u oscuras pueden provocar accidentes.
- b. **No utilice herramientas eléctricas en atmósferas explosivas tales como aquellas en las que haya líquidos, gases o polvos inflamables.** Las herramientas eléctricas originan chispas que pueden inflamar el polvo o los gases.
- c. **Mantenga alejados a los niños y a otras personas del área de trabajo al emplear la herramienta eléctrica.**
Las distracciones pueden ocasionar que pierda el control.

2. Seguridad eléctrica

- a. **El enchufe de la herramienta eléctrica debe corresponder a la toma de corriente. No modifique nunca el enchufe de ninguna forma. No utilice ningún enchufe adaptador con las herramientas eléctricas conectadas a tierra (puestas a masa).** Los enchufes no modificados y las tomas de corriente correctas reducen el riesgo de descarga eléctrica.
- b. **Evite que su cuerpo toque partes conectadas a tierra como tuberías, radiadores, cocinas y refrigeradores.** Existe un mayor riesgo de descarga eléctrica si su propio cuerpo está conectado a tierra.
- c. **No exponga las herramientas eléctricas a la lluvia y evite que penetren líquidos en su interior.**

Si entra agua en una herramienta eléctrica, aumenta el riesgo de descarga eléctrica.

- d. **Cuide el cable de alimentación. No use nunca el cable para transportar, tirar de la herramienta eléctrica o desenchufarla. Mantenga el cable alejado del calor, el aceite, los bordes afilados o las piezas móviles.** Los cables dañados o enredados aumentan el riesgo de descarga eléctrica.
- e. **Cuando esté utilizando una herramienta eléctrica al aire libre, use un cable alargador adecuado para uso en exteriores.** La utilización de un cable adecuado para el uso en exteriores reduce el riesgo de descarga eléctrica.
- f. **Si la utilización de una herramienta eléctrica en un lugar húmedo es inevitable, utilice una fuente protegida con un dispositivo diferencial residual (DDR).** El uso de un DDR reduce el riesgo de descarga eléctrica.

3. Seguridad personal

- a. **Esté atento a lo que hace y emplee la herramienta eléctrica con prudencia. No maneje una herramienta eléctrica cuando esté cansado o bajo los efectos de drogas, medicamentos o alcohol.** Un momento de falta de atención cuando se manejan las herramientas eléctricas puede ocasionar lesiones personales graves.
- b. **Utilice siempre equipo de protección individual.** El uso de equipo de protección individual, como protecciones oculares, mascarilla antipolvo, calzado de seguridad antideslizante, casco y/o protecciones auditivas, en las condiciones adecuadas, reduce el riesgo de lesiones personales.
- c. **Evite la puesta en funcionamiento involuntaria. Asegúrese de que el interruptor esté en posición de apagado antes de conectar la fuente de alimentación y/o la batería o de levantar o transportar la herramienta.** Transportar herramientas eléctricas con el dedo puesto en el interruptor o herramientas eléctricas activadoras que tengan el interruptor encendido puede provocar accidentes.
- d. **Retire las herramientas de ajuste o llaves fijas antes de conectar la herramienta eléctrica.** Una llave inglesa o de otro tipo que se deje puesta en una pieza en movimiento de la herramienta eléctrica puede ocasionar lesiones corporales.
- e. **No se estire demasiado. Mantenga un equilibrio adecuado y la estabilidad constantemente.** Esto permite un mejor control de la herramienta eléctrica en situaciones inesperadas.
- f. **Lleve ropa adecuada. No se ponga ropa suelta o joyas. Mantenga el cabello, la ropa y los guantes alejados de las piezas en movimiento.**

La ropa suelta, las joyas y el pelo largo pueden quedar atrapados en las piezas en movimiento.

- g. **Siempre que sea posible utilice unos equipos de aspiración o captación de polvo, asegúrese de que estén montados y se utilicen correctamente.** El uso de equipo de recogida de polvo puede reducir los riesgos relacionados con el polvo.
- h. **Evite que la familiaridad adquirida con el uso frecuente de las herramientas le haga fiarse demasiado e ignorar las normas de seguridad de las herramientas.** Los descuidos pueden causar lesiones graves en una fracción de segundo.

4. Uso y cuidado de la herramienta eléctrica

- a. **No fuerce la herramienta eléctrica. Use la herramienta eléctrica correcta para su trabajo.** La herramienta eléctrica correcta funcionará mejor y con mayor seguridad si se utiliza de acuerdo con sus características técnicas.
- b. **No utilice la herramienta eléctrica si esta no puede encenderse y apagarse con el interruptor de encendido/apagado.** Toda herramienta eléctrica que no pueda controlarse con el interruptor de encendido/apagado es peligrosa y debe ser reparada.
- c. **Antes de retirar material atascado, realizar cualquier ajuste, cambiar accesorios, limpiar o guardar esta herramienta eléctrica, retire la batería si es desmontable y/o active cualquier dispositivo de desactivación de la batería.** Estas medidas de seguridad preventivas reducen el riesgo de poner en marcha la herramienta eléctrica accidentalmente.
- d. **Guarde las herramientas eléctricas que no esté utilizando de forma que estén fuera del alcance de los niños y no permita que las personas que no estén familiarizadas con ella o con estas instrucciones utilicen la herramienta eléctrica.** Las herramientas eléctricas son peligrosas en manos de personas no capacitadas.
- e. **Efectúe el mantenimiento de las herramientas eléctricas y de los accesorios. Compruebe que las piezas móviles no estén desalineadas ni atascadas, que no haya piezas rotas y cualquier otra condición que pudiera afectar al funcionamiento de la herramienta eléctrica. Si la herramienta eléctrica está dañada, llévela a reparar antes de utilizarla.** Muchos accidentes se ocasionan por el incorrecto mantenimiento de las herramientas eléctricas.
- f. **Mantenga las herramientas de corte limpias y afiladas.** Hay menos probabilidad de que las herramientas de corte con bordes afilados se bloqueen, y son más fáciles de controlar.

- g. **Utilice la herramienta eléctrica, los accesorios, los útiles de la herramienta, etc. de acuerdo con estas instrucciones, y tenga en cuenta las condiciones de trabajo y la tarea que va a realizar.** El uso de la herramienta eléctrica para operaciones que no sean las previstas puede ocasionar una situación peligrosa.
- h. **No modifique la herramienta.** Las modificaciones pueden reducir la eficacia de las medidas de seguridad y aumentar los riesgos para el operador y/o las personas que se encuentren cerca.
- i. **Mantenga las manos y las superficies de agarre secas, limpias y libres de aceite y grasa.** Las empuñaduras y superficies de agarre resbaladizas pueden llevar a un manejo inseguro y/o a la pérdida de control de la herramienta.
- j. **Mantenga las mangueras y los cables eléctricos lejos del área de trabajo de la herramienta.** Durante el uso, las mangueras y los cables eléctricos pueden quedar ocultos a la vista y ser dañados accidentalmente por la herramienta.

5. Uso y cuidado de la herramienta de batería

- a. **Recárguela solo con el cargador especificado por el fabricante.** Un cargador adecuado para un tipo de batería puede causar riesgos de incendio al ser utilizado con otra batería.
- b. **Utilice las herramientas eléctricas solamente con las baterías recomendadas.** El uso de otras baterías puede suponer un riesgo de incendio y lesiones.
- c. **Cuando no utilice la batería, manténgala alejada de objetos de metal como clips para papel, monedas, llaves, clavos, tornillos y otros pequeños objetos metálicos que pueden realizar una conexión de un terminal a otro.** Si provoca un cortocircuito entre los terminales de la batería, puede ocasionar un incendio o sufrir quemaduras.
- d. **En caso de uso abusivo puede salir líquido de la batería, evite el contacto. Si se produce un contacto accidental, lávese con agua. Si el líquido entra en contacto con los ojos, consulte también a un médico.** El líquido expulsado por la batería puede provocar irritaciones o quemaduras.
- e. **No utilice baterías o herramientas dañadas o modificadas.** Las baterías dañadas o modificadas pueden presentar un funcionamiento imprevisto y causar incendio, explosión o riesgo de lesiones.
- f. **No exponga la batería o la herramienta al fuego o a temperaturas excesivas.** La exposición al fuego o a una temperatura superior a 130 °C puede causar una explosión. **NOTA:** La temperatura "130 °C" puede sustituirse por la temperatura "265 °F".

- g. **Siga todas las instrucciones de carga y no cargue la batería o la herramienta fuera del rango de temperatura indicado en las instrucciones.** La carga incorrecta o a temperaturas fuera del rango especificado puede dañar la batería y aumentar el riesgo de incendio.
- h. **Nunca sumerja la herramienta ni la batería en agua.** La inmersión en agua aumenta el riesgo de sobrecalentamiento, incendio y/o explosión, lo que puede provocar lesiones personales y daños materiales.
- i. **Nunca exponga la herramienta ni la batería a líquidos corrosivos o conductores, como agua de mar, productos químicos industriales, lejía o productos que contengan lejía, etc.** La entrada de fluidos corrosivos o conductores aumenta el riesgo de sobrecalentamiento, incendio y/o explosión, lo que puede provocar lesiones personales y daños materiales.

6. Reparación

- a. **Haga reparar esta herramienta eléctrica por personal técnico autorizado que emplee exclusivamente piezas de repuesto originales.** Esto le asegurará el mantenimiento de la seguridad de la herramienta eléctrica.
- b. **No repare nunca las baterías dañadas.** El mantenimiento de las baterías debe ser realizado únicamente por el fabricante o los proveedores de servicios autorizados.

Instrucciones de seguridad para todas las operaciones

- ◆ **Lleve protección acústica al realizar operaciones de perforación de impacto.** La exposición al ruido puede provocar pérdida auditiva.
- ◆ **Sujete la herramienta correctamente antes de usarla.** Esta herramienta produce un alto par de salida y, si no se sujeta correctamente durante el funcionamiento, se puede perder el control y causar lesiones personales.
- ◆ **Sostenga la herramienta eléctrica por las superficies de agarre aisladas cuando realice una operación en la que el accesorio de corte pueda estar en contacto con un cable oculto.** El contacto de los accesorios de corte con un cable cargado, puede cargar las partes metálicas expuestas de la herramienta eléctrica y producir una descarga eléctrica al operador.

Instrucciones de seguridad cuando se utilizan brocas largas

- ◆ **Nunca utilice la herramienta a una velocidad superior a la velocidad máxima de la broca.** A velocidades superiores, es probable que la broca se doble si la deja girar libremente sin entrar en contacto con la pieza de trabajo, y ello que puede causar lesiones corporales.

- ◆ **Empiece siempre a taladrar a baja velocidad y con la punta de la broca en contacto con la pieza de trabajo.** A velocidades superiores, es probable que la broca se doble si la deja girar libremente sin entrar en contacto con la pieza de trabajo, y ello que puede causar lesiones corporales.
- ◆ **Aplique presión solo en línea directa con la broca, pero sin ejercer una presión excesiva.** Las brocas pueden doblarse causando rotura o pérdida de control y lesiones corporales.

Normas de seguridad específicas adicionales para taladros/atornilladores/taladros de impacto

- ◆ **Utilice fijaciones u otro tipo de método para fijar y apoyar la pieza de trabajo en una plataforma estable.** Si sostiene el trabajo con las manos o con su cuerpo estará inestable y podrá hacer que pierda el control.
- ◆ **Los accesorios y la herramienta pueden calentarse durante el funcionamiento.** Póngase guantes cuando los manipule si realiza operaciones que produzcan calor tales como el taladrado de metales.
- ◆ **Las ventilaciones cubren a menudo las piezas móviles y deberán evitarse.** La ropa suelta, las joyas y el pelo largo pueden quedar atrapados entre las piezas en movimiento.
- ◆ **Lleve gafas de seguridad u otro tipo de protección visual.** Los trabajos de taladrado y perforado generan astillas. Las partículas volantes pueden provocar daños oculares permanentes.
- ◆ **Lleve protección acústica al realizar operaciones de perforación de impacto.** La exposición al ruido puede provocar pérdida auditiva.
- ◆ **Utilice las asas auxiliares, si han sido suministradas con la herramienta.** La pérdida de control puede causar lesiones personales.
- ◆ **No haga funcionar esta herramienta por largos periodos de tiempo.** La vibración causada por el funcionamiento de la herramienta puede dañar las manos y los brazos. Utilice guantes para ofrecer una protección adicional y limite la exposición haciendo descansos frecuentes.

Advertencias de seguridad adicionales para herramientas eléctricas



¡Advertencia! Advertencias de seguridad adicionales para taladros de impacto

- ◆ **Utilice las asas auxiliares suministradas con la herramienta.** La pérdida de control puede causar lesiones personales.
- ◆ **Sostenga la herramienta eléctrica por las superficies de agarre aisladas cuando realice una operación en la que el accesorio de corte pueda estar en contacto con un cable oculto.**

El contacto de los accesorios de corte con un cable cargado, puede cargar las partes metálicas expuestas de la herramienta eléctrica y producir una descarga eléctrica al operador.

- ◆ **Sujete la herramienta eléctrica por las superficies de agarre aisladas cuando realice una operación en la que la fijación pueda entrar en contacto con un cable oculto.** Las fijaciones en contacto con un cable bajo tensión pueden transmitir la tensión a las partes metálicas expuestas de la herramienta eléctrica y producir una descarga eléctrica al operador.
- ◆ **Utilice fijaciones u otro tipo de método para fijar y apoyar la pieza de trabajo en una plataforma estable.** Si sostiene la pieza de trabajo con las manos o con el cuerpo, la pieza quedará inestable y podrá hacer que usted pierda el control.
- ◆ **Antes de perforar paredes, suelos o techos, compruebe la ubicación de los cables y tuberías.**
- ◆ **Evite tocar la punta de una broca inmediatamente después de taladrar, ya que puede estar caliente.**
- ◆ **En este manual de instrucciones se describe el uso previsto.** El uso de accesorios o acoplamientos o la realización de cualquier operación con esta herramienta que sean distintos de los recomendados en este manual de instrucciones puede dar lugar a lesiones personales y/o daños a la propiedad.

Seguridad de otras personas

- ◆ Las personas (incluidos los niños) con capacidades físicas, sensoriales o mentales disminuidas o que carezcan de experiencia y conocimientos no deben utilizar esta herramienta, salvo que hayan recibido supervisión o formación con respecto al uso del aparato por parte de una persona responsable de su seguridad.
- ◆ Los niños deberán estar siempre vigilados para asegurarse de que no jueguen con el aparato.

Riesgos residuales

Al utilizar la herramienta, podrían surgir riesgos residuales adicionales que no se incluyen en las advertencias de seguridad incluidas. Estos riesgos se pueden generar por un uso incorrecto, demasiado prolongado, etc. El cumplimiento de las normas de seguridad correspondientes y el uso de dispositivos de seguridad no evitan ciertos riesgos residuales. Dichos riesgos incluyen:

- ◆ Lesiones producidas por el contacto con piezas móviles o giratorias.
- ◆ Lesiones provocadas al cambiar cualquier pieza, hoja o accesorio.
- ◆ Lesiones producidas al usar una herramienta por un tiempo demasiado prolongado. Si utiliza una herramienta durante periodos de tiempo demasiado prolongados, realice pausas con frecuencia.

- ◆ Deterioro auditivo.
- ◆ Riesgos para la salud producidos al respirar el polvo que se genera al usar la herramienta (por ejemplo: en los trabajos con madera, especialmente de roble, haya y tableros de densidad mediana).

Ruido y vibración

Los valores de emisión de ruido y vibración declarados en los datos técnicos y en la declaración de conformidad han sido calculados según un método de prueba estándar proporcionado en la norma EN 62841 y pueden utilizarse para comparar herramientas entre sí. El valor de emisión de vibraciones y ruido declarado también puede utilizarse para una evaluación previa de la exposición.

¡Advertencia! El valor de emisión de vibraciones y ruido durante el uso real de la herramienta eléctrica puede diferir del valor declarado en función de cómo se utilice la herramienta. El nivel de vibración podría aumentar por encima del nivel declarado.

Al evaluar la exposición a las vibraciones para determinar las medidas de seguridad requeridas por la Directiva 2002/44/CE para la protección de las personas que utilizan habitualmente herramientas eléctricas en su trabajo, debe tenerse en cuenta un cálculo de la exposición a vibraciones, las condiciones reales de uso y la forma de utilización de la herramienta, incluyendo todas las partes del ciclo operativo como las veces que la herramienta está apagada, cuando funciona en vacío y el tiempo de activación.

Etiquetas en la herramienta

Junto con el código de la fecha, en la herramienta aparecen los siguientes símbolos:



¡Advertencia! Para reducir el riesgo de lesiones, el usuario debe leer el manual de instrucciones.



No fije la vista en la lámpara de trabajo

Instrucciones de seguridad adicionales para baterías y cargadores

Baterías

- ◆ Jamás trate de abrirla por ninguna razón.
- ◆ No exponga la batería al agua.
- ◆ No las almacene en lugares en los que la temperatura pueda superar los 40 °C.
- ◆ Realice la carga únicamente a una temperatura ambiente de entre 10 °C y 40 °C.
- ◆ Utilice únicamente el cargador suministrado con la herramienta para realizar la carga.

- ◆ Para desechar las pilas o las baterías, siga las instrucciones facilitadas en la sección "Protección del medio ambiente".



No intente cargar baterías dañadas.

- ◆ No dañe ni deforme la batería mediante perforaciones o golpes, ya que puede suponer un riesgo de incendio y de lesiones.
- ◆ Es posible que se produzcan fugas en las baterías en condiciones extremas. Cuando note que se producen fugas en la batería, limpie cuidadosamente el líquido con un paño. Evite el contacto con la piel.
- ◆ En caso de que se produzca contacto con la piel o los ojos, siga las instrucciones facilitadas a continuación.

¡Advertencia! El líquido de las baterías puede provocar lesiones personales o daños materiales. En caso de que se produzca contacto con la piel, lave la zona con agua inmediatamente. Si se produce enrojecimiento, dolor o irritación, solicite atención médica. En caso de contacto con los ojos, lave la zona inmediatamente con agua limpia y solicite atención médica.

Cargadores

El cargador ha sido diseñado para un voltaje específico. Compruebe siempre que el voltaje de la red eléctrica coincida con el valor indicado en la placa de datos.

¡Advertencia! Nunca intente reemplazar el cargador con un enchufe de corriente normal.

- ◆ Utilice su cargador BLACK+DECKER únicamente para cargar la batería suministrada con la herramienta. Otras baterías podrían explotar, provocando lesiones personales y daños materiales.
- ◆ Nunca intente cargar baterías no recargables.
- ◆ Si se daña el cable de alimentación, debe hacerlo sustituir por el fabricante o por un centro de asistencia técnica autorizado de Stanley, para evitar cualquier situación de riesgo.
- ◆ Sustituya los cables defectuosos inmediatamente.
- ◆ No exponga el cargador al agua.
- ◆ No abra el cargador.
- ◆ No sondee el cargador.
- ◆ El aparato, la herramienta o la batería debe colocarse en una zona correctamente ventilada durante la carga.



Este cargador está diseñado únicamente para su uso en interiores.



Lea el manual de instrucciones antes de usar el producto.

Seguridad eléctrica



El cargador está provisto de doble aislamiento, por lo que no requiere una toma de tierra. Compruebe siempre que el voltaje de la red eléctrica coincida con el valor indicado en la placa de datos. Nunca intente reemplazar el cargador con un enchufe de corriente normal.

- ◆ Si se dañara el cable de alimentación, deberá ser sustituido por el fabricante o por un centro de asistencia técnica autorizado de BLACK+DECKER para evitar cualquier situación de riesgo.

Características

Esta herramienta incluye todas o algunas de las características siguientes.

1. Interruptor de velocidad variable
2. Control desliante de avance/retroceso
3. Collarín de ajuste de par
4. Mandril sin llave
5. Engranaje de doble rango
6. Luz de trabajo LED
7. Gancho de cinturón (disponible en todas las unidades)
8. Batería
9. Botón de liberación de la batería

Montaje

Uso

¡Advertencia! Deje que la herramienta funcione a su ritmo. No debe sobrecargarla.

Carga de la batería (Fig. A1, A2)

La batería debe cargarse antes de usarla por primera vez y cada vez que no produzca suficiente energía para trabajos que antes se hacían con facilidad. La batería puede calentarse durante la carga; esto es normal y no indica ningún problema.

¡Advertencia! No cargue la batería si la temperatura ambiente es inferior a 10 °C o superior a 40 °C. La temperatura de carga recomendada es de aproximadamente 24 °C.

Nota: El cargador no cargará la batería si la temperatura de esta es inferior a los 10 °C o superior a los 40 °C aproximadamente.

Deje la batería en el cargador y este empezará a cargarla automáticamente cuando la temperatura de la batería aumente o disminuya.

- ◆ Enchufe el cargador (10) en cualquier toma de corriente eléctrica estándar de 230 voltios y 50 Hz.
- ◆ Deslice la batería (8) en el cargador, como se muestra en la Fig. A1, A2.

El LED (10a) parpadeará indicando que la batería se está cargando.

Cuando termina la carga, la luz LED (10a) queda encendida fija. La batería estará cargada y se podrá usar o dejar en el cargador.

Advertencia: peligro de incendio. Cuando retire la batería del cargador, asegúrese de desconectar primero el cargador de la toma de corriente; a continuación, retire el cable de la batería del cargador.

Diagnósticos del cargador

Este cargador ha sido diseñado para detectar algunos problemas que pueden surgir con la batería o la fuente de alimentación. Los problemas se indican a través de un LED parpadeante con diferentes patrones.

Batería defectuosa

El cargador puede detectar una batería débil o dañada. El LED parpadea en el patrón indicado en la etiqueta. Si ve este patrón de parpadeo de batería defectuosa, no siga cargando la batería. Llévela a un centro de servicios o a un punto de recogida para el reciclaje.

Demora por batería fría/caliente

Cuando el cargador detecta que la batería está demasiado fría o demasiado caliente, inicia automáticamente la demora por batería fría/caliente, suspendiendo la carga hasta que la batería se normalice. Después de que esto suceda, el cargador cambia automáticamente al modo de Carga de Batería. Esta función asegura la máxima vida útil de la batería. La luz parpadea en el patrón indicado en la etiqueta.

Dejar la batería en el cargador

El cargador y la batería pueden permanecer conectados durante un periodo de tiempo indefinido con el indicador LED iluminado. El cargador mantendrá la batería a baja temperatura y completamente cargada.

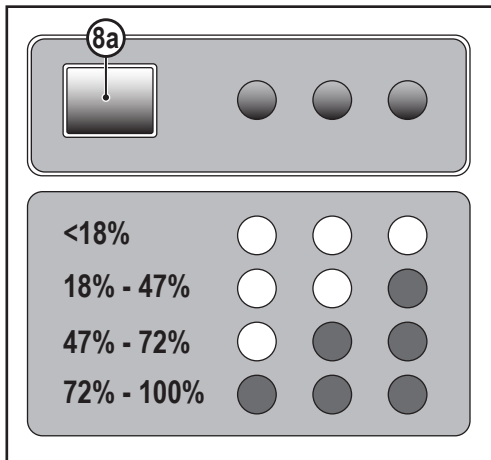
Aviso importante sobre la carga

- ◆ Pueden obtenerse una vida útil más prolongada y un mejor rendimiento si la batería se carga a una temperatura ambiente comprendida entre 18 °C y 24 °C. NO cargue la batería si la temperatura ambiente es inferior a +4,5 °C o superior a +40 °C. Esto es importante pues evita daños graves a la batería.
- ◆ El cargador y la batería pueden calentarse al tacto durante la carga. Esto es normal y no indica ningún problema. Para facilitar el enfriamiento de la batería después del uso, evite colocar el cargador o la batería en un entorno caluroso tal como un cobertizo de metal o un tráiler no aislado.
- ◆ Si la batería no se carga correctamente:

- ◆ Compruebe el funcionamiento de la toma de corriente enchufando una lámpara u otro aparato;
- ◆ Compruebe si la toma de corriente está conectada al interruptor de una luz que la apaga al apagar las luces;
- ◆ Desplace el cargador y la batería hacia un lugar donde la temperatura ambiente sea de aproximadamente 18 °C - 24 °C.
- ◆ Si el problema de carga persiste, lleve la herramienta, la batería y el cargador a su servicio técnico local.
- ◆ La batería debe recargarse cuando no produce energía suficiente para trabajos que antes se efectuaban fácilmente. NO SIGA usándola en estas condiciones. Siga el procedimiento de carga. También puede cargar una batería usada parcialmente cuando lo desee, sin ningún efecto adverso en la batería.
- ◆ Los materiales extraños que sean conductores como por ejemplo, el polvo de molido, los chips metálicos, la lana de acero, el papel de aluminio o cualquier acumulación de partículas metálicas, deben mantenerse alejados de las cavidades del cargador. Desenchufe el cargador antes de intentar limpiarlo.
- ◆ No lo congele ni lo sumerja en agua u otros líquidos.

Indicador del estado de carga de la batería (Fig. B)

La batería incluye un indicador de estado de carga para determinar rápidamente la duración de la batería, como se muestra en la figura B. Pulsando el botón de estado de carga (8a) puede ver fácilmente la carga que queda en la batería, como se muestra en la figura B.



Instalación y extracción de la batería de la herramienta (Fig. C)

¡Advertencia! Compruebe que el botón de bloqueo (2) esté activado para evitar el accionamiento del interruptor antes de retirar o instalar la batería.

Para instalar una batería:

- ◆ Inserte la batería (8) en la herramienta hasta que oiga un clic (Fig. C)

Retirar de la batería de la herramienta (Fig. C)

- ◆ Presione el botón de liberación de la batería (9) como se muestra en la (Fig. C) y extraiga la batería de la herramienta.

Gancho para cinturón (Fig. D, E)

¡Advertencia! Para reducir el riesgo de daños personales graves, coloque el botón de avance/retroceso en la posición de bloqueo o apague la herramienta y desconecte el paquete de pilas antes de realizar cualquier ajuste o retirar o instalar piezas o accesorios. El encendido accidental puede causar lesiones.

¡Advertencia! Para reducir el riesgo de lesiones personales graves, utilice ÚNICAMENTE el gancho para cinturón de la herramienta (7) para colgar la herramienta de un cinturón de trabajo. NO utilice el gancho para cinturón (7) para atar o asegurar la herramienta a una persona u objeto durante su uso. NO cuelgue la herramienta por encima de su cabeza ni cuelgue objetos al gancho del cinturón.

¡Advertencia! Para reducir el riesgo de lesiones personales graves, compruebe que el tornillo (11) de sujeción del gancho del cinturón esté apretado.

Nota: Para colocar o sacar el gancho para cinturón (7), utilice solo el tornillo (11) suministrado. Asegúrese de apretar bien el tornillo.

El gancho para cinturón (7) puede colocarse haciéndolo deslizar en las ranuras (13) de cualquiera de los lados de la herramienta utilizando exclusivamente el tornillo (11) suministrado, para facilitar su uso a los usuarios diestros y zurdos. Si no quiere el gancho, puede quitarlo de la herramienta.

Para cambiar de lugar el gancho de cinturón, saque el tornillo (11) que sujeta el gancho de cinturón (7) en su posición y vuelva a colocarlo en el lado opuesto. Apriete bien el tornillo (11).

Instrucciones de funcionamiento

Interruptor de gatillo y botón de marcha atrás (Fig. F)

- ◆ El taladro se enciende y apaga apretando y soltando el interruptor de gatillo (1). Cuanto más apriete el gatillo, mayor será la velocidad del taladro.
- ◆ Un botón de control de avance/retroceso (2) determina la dirección de la herramienta a la vez que se utiliza como botón de desbloqueo.
- ◆ Para seleccionar el giro hacia delante, suelte el interruptor de gatillo y empuje el botón de control de avance/retroceso hacia la izquierda.

- ◆ Para seleccionar la dirección inversa, apriete el botón de control de avance/retroceso en el sentido contrario.

Nota: La posición central del botón de control bloquea la herramienta en posición de apagado. Cuando cambie la posición del botón de control, compruebe haber soltado el interruptor activador.

Control de par de apriete (Fig. E)

Esta herramienta está equipada con un collarín de ajuste de par de apriete (3) para seleccionar el modo de funcionamiento y para establecer el par de apriete de los tornillos. Los tornillos largos y las piezas de trabajo de materiales duros requieren un ajuste de par de torsión mayor que los tornillos pequeños y las piezas de trabajo de materiales blandos.

- ◆ Para taladrar madera, metal y plásticos, ajuste el collarín en el símbolo de posición de taladrado.
- ◆ Para perforar mampostería, ajuste el collarín en la posición de martillo de percusión.
- ◆ Para atornillar, coloque el collarín en el ajuste deseado. Si no conoce el ajuste adecuado, haga lo siguiente:
- ◆ Ajuste el collarín en el ajuste de torsión más bajo.
- ◆ Apriete el primer tornillo.
- ◆ Si la herramienta se detiene antes de obtener el resultado deseado, aumente el ajuste del collarín y siga apretando el tornillo. Repita la operación hasta obtener el ajuste correcto. Utilice este ajuste para los tornillos restantes.

Mandril sin llave (Fig. H)

¡Advertencia! Asegúrese de que el botón de bloqueo (2) esté activado para evitar el accionamiento del interruptor antes de retirar o instalar los accesorios.

Para introducir una broca u otro accesorio:

- ◆ Afere la herramienta con una mano y utilice la otra mano para girar el mandril (4) en sentido antihorario, visto desde el extremo del mandril.
- ◆ Introduzca la broca u otro accesorio completamente en el mandril y fíjelo bien girando el mandril en sentido horario visto desde el extremo del mandril.

¡Advertencia! No intente apretar las brocas (ni cualquier otro accesorio) agarrando el mandril y encendiendo la herramienta. Podrían producirse daños al mandril y lesiones personales al cambiar los accesorios.

Engranaje de doble rango (Fig. I)

La función de doble rango de su taladro le permite cambiar de engranajes para obtener más versatilidad. Para seleccionar la velocidad baja, con un valor de par alto (posición 1), apague la herramienta y deje que se detenga. Deslice el botón de la palanca de engranajes (5) lejos del mandril. Para seleccionar la velocidad alta, con un valor de par bajo (posición 2), apague la herramienta y deje que se detenga. Deslice el botón de la palanca de engranajes hacia el mandril.

Nota: No cambie las velocidades cuando la herramienta esté funcionando. Si tiene algún problema al cambiar de velocidad, compruebe que el botón de engranajes de doble rango esté completamente colocado hacia delante o completamente hacia atrás.

Perforación/atornillado

- ◆ Seleccione la rotación hacia delante o hacia atrás mediante el control deslizante de avance/retroceso (2).
- ◆ Para encender la herramienta, pulse el interruptor (1). La velocidad de la herramienta depende de la presión que ejerza sobre el interruptor.
- ◆ Para apagar la herramienta, suelte el interruptor.

Consejos para un uso óptimo

Taladrado

- ◆ Utilice solo brocas afiladas.
- ◆ Apoye y fije correctamente la pieza de trabajo como se indica en las instrucciones de seguridad.
- ◆ Utilice el equipo de seguridad requerido y apropiado, como se indica en las instrucciones de seguridad.
- ◆ Cuide y mantenga el lugar de trabajo como se indica en las instrucciones de seguridad.
- ◆ Realice el taladrado muy lentamente, ejerciendo una ligera presión hasta que el agujero sea suficientemente grande para que la broca no se salga.
- ◆ Ejercer presión en línea recta con la broca. Presione lo suficiente para que la broca continúe perforando, pero no demasiado para evitar que el motor se paralice o que la broca se desvíe.
- ◆ Mantenga firmemente el taladro con las dos manos para controlar el movimiento de giro.
- ◆ **NO PULSE REITERADAMENTE EL GATILLO DE UN TALADRO PARADO CON LA INTENCIÓN DE ACCIONARLO. ESTO PODRÍA CAUSAR DAÑOS EN EL TALADRO.**
- ◆ Para reducir al mínimo las paradas o interrupciones, disminuya la presión y taladre lentamente la última parte del orificio.
- ◆ Mantenga el motor en funcionamiento mientras extrae la broca del orificio. De este modo, evitará que se produzcan atascos.
- ◆ Compruebe que el interruptor encienda y apague el taladro.

Perforación en madera

Los orificios en madera pueden realizarse con las mismas brocas helicoidales utilizadas para el metal o con brocas de pica. Estas brocas deben estar afiladas y deben extraerse con frecuencia al taladrar para despejar las virutas de las ranuras.

Perforación de metales

Utilice un lubricante de corte cuando perforo metales. Las excepciones son el latón y la fundición, que deberán perforarse en seco. Los lubricantes de corte que funcionan mejor son el aceite de corte sulfurizado y el aceite de manteca de cerdo.

Perforar mampostería

Para taladrar en mampostería, ajuste el collarín (3) en la posición de martillo de percusión alineando el símbolo con la marca. Mueva el selector de velocidad (5) hacia la parte frontal de la herramienta (2.ª marcha).

Atornillado

- ◆ Utilice siempre el tipo y el tamaño de punta de atornillar correctos.
- ◆ Si le resulta difícil apretar los tornillos, inténtelo utilizando un poco de detergente o de jabón como lubricante.
- ◆ Mantenga siempre la herramienta y la punta de atornillar en línea recta con el tornillo

- ◆ Limpie periódicamente las ranuras de ventilación de la herramienta y del cargador con un cepillo suave o un paño seco.
- ◆ Limpie periódicamente la carcasa del motor con un paño húmedo. No utilice limpiadores abrasivos ni a base de disolventes.
- ◆ Abra periódicamente el mandril y golpéelo suavemente para eliminar los restos de polvo que pudiese contener en su interior.

Protección del medioambiente



Recogida selectiva. Los productos y las baterías marcadas con este símbolo no deben tirarse junto con los residuos domésticos normales.

Los productos y las baterías que contienen materiales que se puedan recuperar o reciclar reducen la demanda de materias primas. Recicle los productos eléctricos y las baterías de acuerdo con la normativa local. Puede obtener más información en www.2helpU.com

Solución de problemas

Problema	Posible causa	Posible solución
La herramienta no se enciende.	La batería no está cargada.	Compruebe los requisitos de carga de la batería
La batería no se carga.	El cargador no está enchufado. Temperatura ambiente demasiado alta o baja.	Enchufe el cargador en una toma de corriente que funcione. Desplace el cargador y la batería a un lugar con temperatura ambiente superior a 40 °F (4,5 °C) o inferior a 105 °F (+40,5 °C).
La unidad se apaga repentinamente.	La batería ha alcanzado su máximo límite térmico. Descargada. (Para maximizar la vida útil de la batería, esta ha sido diseñada para apagarse repentinamente cuando se agota la carga.	Deje que la batería se enfríe. Coloque en el cargador y déjelo cargar.

Mantenimiento

La herramienta BLACK+DECKER se ha diseñado para que funcione durante un largo período de tiempo con un mantenimiento mínimo. El funcionamiento satisfactorio continuo depende del buen cuidado de la herramienta y de una limpieza frecuente.

El cargador no requiere ningún mantenimiento, salvo la limpieza periódica.

¡Advertencia! Antes de realizar alguna operación de mantenimiento en la herramienta, extraiga la batería. Desenchufe el cargador antes de limpiarlo.

Datos técnicos

BLD683 Tipo 1		
Tensión	V_{CC}	18
Velocidad en vacío	Min ₁	0 - 450 / 0 - 1800
Par máx.	Nm	50
Capacidad del mandril	mm	2-13
Capacidad máxima de perforación en acero/mampostería	mm	13/30/10
Peso	kg	1,1 kg (sin batería)

Cargador		905902**	N517390
Tensión de entrada	V_{CA}	230	230
Voltaje de salida	V_{CC}	18	18
Corriente	mA	400	1000
Tiempo de carga aproximado	Horas	3 - 6,5	1,5 - 2,5

Batería		BDL1518*	BDL2018*	BDL2518*
Tensión	V_{CC}	18	18	18
Capacidad	Ah	1,5	2,0	2,5
Tipo		lones de litio	lones de litio	lones de litio

Nivel de presión acústica de acuerdo con la directiva EN 62841:

Presión acústica (L_{pA}) 92 dB(A), incertidumbre (K) 5 dB(A)

Potencia acústica (L_{WA}) 100 dB(A), incertidumbre (K) 5 dB(A)

Valores totales de vibración (suma vectorial triaxial) de acuerdo con la directiva EN 62841:

Perforación en hormigón ($a_{h,D}$) 16,8 m/s^2 , incertidumbre (K) 1,5 m/s^2

Perforación en metal ($a_{h,D}$) 2,3 m/s^2 incertidumbre (K) 1,5 m/s^2

Declaración de conformidad CE

DIRECTIVA DE MAQUINARIA



BLD683 - Taladro de impacto

Black & Decker declara que los productos descritos en el apartado "Datos técnicos" son conformes a las normas siguientes:

2006/42/CE, EN 62841-1:2015+A11:2022, EN 62841-2-1:2018+A11:2019+A1:2022+A12:2022.

Estos productos también cumplen las Directivas 2014/30/UE y 2011/65/UE. Para más información, póngase en contacto con Black & Decker en la siguiente dirección o consulte la parte posterior del manual.

El abajo firmante es el responsable de la elaboración de la documentación técnica y expide la presente declaración en nombre y representación de Black & Decker.

Patrick Diepenbach
Director General, Benelux BLACK +DECKER, Richard-Klinger-Strasse 11, 65510 Idstein, Alemania
10/05/2024

Garantía

Black & Decker confía en la calidad de sus productos y ofrece a los consumidores una garantía de 24 meses a partir de la fecha de compra. Esta garantía es adicional a sus derechos legales y no los menoscaba en modo alguno. La garantía es válida en los territorios de los Estados Miembros de la Unión Europea, el Área Europea de Libre Comercio y el Reino Unido.

Para reclamar la garantía, deberá formular la reclamación de conformidad con las condiciones generales de Black & Decker, presentando el comprobante de compra al vendedor o al agente técnico autorizado.

Puede consultar las condiciones de la garantía de 2 años de Black & Decker y la ubicación más cercana de su centro oficial de reparación en www.2helpU.com o contactando con su oficina local de Black & Decker en la dirección indicada en este manual.

Visite nuestro sitio web www.blackanddecker.eu para registrar su nuevo producto Black & Decker y recibir noticias sobre nuevos productos y ofertas especiales.

Utilização pretendida

A perfuradora de impacto BLD683 da BLACK+DECKER foi concebida para aparafusar e perfurar madeira, metal, plástico e alvenaria. Esta ferramenta destina-se apenas a utilização doméstica.

Instruções de segurança**Avisos de segurança gerais sobre ferramentas eléctricas**

Atenção! Leia todos os avisos de segurança, instruções, ilustrações e especificações fornecidas com esta ferramenta eléctrica.

O não seguimento dos avisos e das instruções indicados abaixo poderá resultar em choque eléctrico, incêndio e/ou ferimentos graves.

Guarde todos os avisos e instruções para futura referência. O termo "ferramenta eléctrica" utilizado a seguir refere-se a ferramentas eléctricas com ligação à corrente eléctrica (com cabo) ou com bateria (sem cabo).

- 1. Segurança na área de trabalho**
 - a. Mantenha a área de trabalho limpa e bem iluminada.** As áreas desorganizadas ou escuras são propensas a acidentes.
 - b. Não trabalhe com ferramentas eléctricas em locais com risco de explosão, nas quais se encontrem líquidos, gases ou pó inflamáveis.** As ferramentas eléctricas criam faíscas que podem inflamar estas poeiras ou vapores.
 - c. Mantenha as crianças e outras pessoas afastadas quando utilizar a ferramenta eléctrica.** As distrações podem causar perda de controlo.
- 2. Segurança eléctrica**
 - a. As fichas da ferramenta eléctrica devem encaixar na tomada. Nunca modifique a ficha de modo algum. Não utilize fichas adaptadoras com ferramentas eléctricas ligadas à terra.** As fichas não modificadas e as tomadas compatíveis reduzem o risco de choque eléctrico.
 - b. Evite o contacto corporal com superfícies e equipamentos ligados à terra, por exemplo, tubagens, radiadores, fogões e frigoríficos.** Se o seu corpo estiver "ligado" à terra, o risco de choque eléctrico é maior.
 - c. As ferramentas eléctricas não podem ser expostas a chuva ou a humidade.** A entrada de água numa ferramenta eléctrica aumenta o risco de choque eléctrico.
 - d. Não aplique força excessiva no cabo. Nunca o utilize para transportar, puxar ou desligar a ferramenta eléctrica. Mantenha o cabo afastado de fontes de calor, óleo, arestas afiadas ou peças móveis.**

Os cabos danificados ou emaranhados aumentam o risco de choque eléctrico.

- e. **Quando utilizar uma ferramenta eléctrica no exterior, utilize uma extensão adequada para utilização ao ar livre.** A utilização de um cabo adequado para utilização ao ar livre reduz o risco de choque eléctrico.
 - f. **Se não for possível evitar trabalhar com uma ferramenta eléctrica num local húmido, utilize uma fonte de alimentação protegida por um dispositivo diferencial residual (DDR).** A utilização de um DDR reduz o risco de choque eléctrico.
3. **Segurança pessoal**
- a. **Mantenha-se atento, preste atenção ao que está a fazer e faça uso de bom senso ao operar uma ferramenta eléctrica. Não utilize a ferramenta eléctrica se estiver cansado ou sob o efeito de drogas, álcool ou medicamentos.** Um momento de distração durante a utilização de ferramentas eléctricas pode causar ferimentos graves.
 - b. **Utilize sempre equipamento de protecção individual.** Equipamento de protecção individual como, por exemplo, protecção para os olhos, máscara de poeiras, sapatos de segurança anti-derrapantes, capacete de segurança e/ou protecção auricular, de acordo com as condições adequadas reduz o risco de ferimentos.
 - c. **Evite arranques não intencionais. Certifique-se de que o gatilho da ferramenta está na posição de desligado antes de ligá-la à tomada de electricidade e/ou inserir a bateria, ou antes de levantar ou transportar a ferramenta.** Se mantiver o dedo carregado no gatilho quando transportar ferramentas eléctricas ou se ligá-las à fonte de alimentação com o gatilho ligado, isso pode dar origem a acidentes.
 - d. **Retire qualquer chave de ajuste ou chave de porcas antes de ligar a ferramenta eléctrica.** Uma chave de fendas ou de ajuste deixada numa peça móvel da ferramenta poderá resultar em ferimentos.
 - e. **Não se estique demasiado quando trabalhar com a ferramenta. Mantenha sempre os pés bem apoiados e um equilíbrio adequado.** Assim, é mais fácil controlar a ferramenta eléctrica em situações inesperadas.
 - f. **Use vestuário adequado. Não use roupa larga ou jóias. Mantenha o cabelo, a roupa e as luvas afastados das peças móveis.** As roupas largas, as jóias ou o cabelo comprido podem ficar presos nestas peças.
 - g. **Se estiver prevista a montagem de dispositivos de extracção e recolha de pó, assegure-se de que estão ligados e que são utilizados de forma correcta.** A utilização de dispositivos de extracção de pó pode reduzir os riscos relacionados com o pó.

- h. **Não permita que o facto de estar familiarizado com a utilização frequente das ferramentas o torne complacente e ignore os princípios de segurança da ferramenta.** Uma acção irreflectida pode causar ferimentos graves numa fracção de segundo.
4. **Utilização e manutenção da ferramenta eléctrica**
- a. **Não utilize a ferramenta eléctrica de maneira forçada. Utilize a ferramenta eléctrica correcta para o seu trabalho.** A ferramenta eléctrica adequada efectua o trabalho de maneira mais eficiente e segura se for utilizada de acordo com a capacidade para a qual foi concebida.
 - b. **Não utilize a ferramenta eléctrica se o interruptor não a ligar e desligar.** Qualquer ferramenta eléctrica que não possa ser controlada através do interruptor de alimentação é perigosa e tem de ser reparada.
 - c. **Retire a bateria, se for desmontável, da ferramenta eléctrica e/ou active qualquer dispositivo para desactivar a bateria antes de retirar material encastrado, efectuar quaisquer ajustes, substituir acessórios, limpar ou armazenar as ferramentas eléctricas.** Estas medidas de segurança preventivas reduzem o risco de ligar a ferramenta eléctrica acidentalmente.
 - d. **Guarde as ferramentas eléctricas que não estiverem a ser utilizadas fora do alcance de crianças e não permita que sejam utilizadas por pessoas não familiarizadas com as mesmas ou com estas instruções.** As ferramentas eléctricas são perigosas se forem utilizadas por pessoas que não tenham as qualificações necessárias para manuseá-las.
 - e. **Proceda à manutenção das ferramentas eléctricas e acessórios. Verifique se as peças móveis estão desalinhas ou bloqueadas, se existem peças partidas ou qualquer outra situação que possa afectar o funcionamento das ferramentas eléctricas. Se a ferramenta eléctrica estiver danificada, esta só deve ser utilizada depois de ser reparada.** Muitos acidentes são causados por ferramentas eléctricas com uma manutenção insuficiente.
 - f. **Mantenha as ferramentas de corte sempre afiadas e limpas.** As ferramentas de corte sujeitas a uma manutenção adequada, com arestas de corte afiadas, bloqueiam com menos frequência e são controladas mais facilmente.
 - g. **Utilize a ferramenta eléctrica, os acessórios e as brocas da ferramenta, etc., de acordo com estas instruções, considerando as condições de trabalho e a tarefa a ser executada.** A utilização da ferramenta eléctrica para fins diferentes dos previstos poderá resultar em situações perigosas.

- h. **Não modifique a ferramenta.** As modificações podem reduzir a eficiência das medidas de segurança e aumentar os riscos para o operador e/ou transeuntes.
 - i. **Mantenha os punhos e as superfícies de preensão secas, limpas e sem óleo ou graxa.** Pegas e superfícies de fixação escorregadias podem resultar num manuseamento inseguro e/ou perda de controlo da ferramenta.
 - j. **Mantenha as mangueiras e os cabos eléctricos afastadas da área de trabalho da ferramenta.** Durante o funcionamento, as mangueiras e os cabos eléctricos podem ficar escondidos e podem ser cortados acidentalmente pela ferramenta.
5. **Utilização e cuidados a ter com a ferramenta com baterias**
- a. **Recarregue apenas com o carregador especificado pelo fabricante.** Um carregador adequado para um tipo de bateria pode causar um incêndio se for utilizado com outra bateria.
 - b. **Utilize as ferramentas eléctricas apenas com as baterias concebidas especificamente para o efeito.** A utilização de outro tipo de baterias pode causar ferimentos e incêndio.
 - c. **Quando não utilizar as baterias, mantenha-as afastadas de outros objectos metálicos, como cliques para papel, moedas, chaves, pregos, parafusos ou outros pequenos objectos metálicos que permitam fazer a ligação de um terminal para outro.** O curto-circuito dos terminais da bateria pode causar queimaduras ou um incêndio.
 - d. **Em condições abusivas, pode derramar o líquido das baterias, devendo evitar o contacto. Se tocar acidentalmente no líquido, lave bem com água. Se o líquido entrar em contacto com os olhos, consulte um médico.** O líquido derramado da bateria pode causar irritação ou queimaduras.
 - e. **Não utilize uma bateria ou uma ferramenta que esteja danificada ou tenha sido modificada.** As baterias danificadas ou modificadas podem dar origem a um comportamento imprevisível e resultar em incêndio, explosão ou ferimentos.
 - f. **Não exponha a bateria ou a ferramenta ao fogo ou a temperatura excessiva.** A exposição a fogo ou temperatura superior a 130 °C pode causar uma explosão. NOTA: A temperatura "130 °C" pode ser substituída pela temperatura "265 °F".
 - g. **Siga todas as instruções de carga e não carregue a bateria ou a ferramenta fora da gama de temperaturas especificada nas instruções.** Se o carregamento não for efectuado correctamente ou a temperaturas que não estejam de acordo com o limite especificado, a bateria pode ficar danificada e há um maior risco de incêndio.

- h. **Nunca mergulhe a ferramenta ou a bateria dentro de água.** Se mergulhá-las dentro de água, há um maior risco de sobreaquecimento, incêndio e/ou explosão, o que pode causar ferimentos e danos materiais.
- i. **Nunca exponha a ferramenta ou a bateria a líquidos corrosivos ou condutores, como água do mar, produtos químicos industriais, lixívia ou produtos que contenham lixívia, etc.** A entrada de líquidos corrosivos ou condutores aumenta o risco de sobreaquecimento, incêndio e/ou explosão, o que pode causar ferimentos e danos materiais.

6. Assistência

- a. **A ferramenta eléctrica só deve ser reparada por um técnico qualificado e só devem ser utilizadas peças sobresselentes originais.** Assim, é garantida a segurança da ferramenta eléctrica.
- b. **Nunca repare baterias danificadas.** A reparação das baterias só deve ser efectuada pelo fabricante ou por um fornecedor de serviços autorizado.

Instruções de segurança para todas as operações

- ◆ **Use protecção auricular quando efectuar perfurações de impacto.** A exposição ao ruído pode causar perda auditiva.
- ◆ **Segure a ferramenta correctamente antes de utilizá-la.** Esta ferramenta produz um binário de saída elevado. Se não segurar a ferramenta correctamente durante a operação, pode ocorrer perda de controlo e ferimentos.
- ◆ **Segure a ferramenta eléctrica apenas pelas superfícies isoladas específicas para o efeito ao efectuar uma operação em que o acessório de corte possa entrar em contacto com fios ocultos.** O acessório de corte que entre em contacto com um fio com tensão eléctrica poderão fazer com que as peças de metal expostas da ferramenta conduzam electricidade e electrocitem o utilizador.

Instruções de segurança para utilização de brocas compridas

- ◆ **Nunca utilize a uma velocidade superior à da categoria de velocidade máxima da broca.** A velocidades mais elevadas, a broca tem tendência para ficar dobrada se rodar livremente sem entrar em contacto com a peça de trabalho, resultando em ferimentos.
- ◆ **Comece sempre a perfurar a uma velocidade reduzida e com a ponta da broca em contacto com a peça de trabalho.** A velocidades mais elevadas, a broca tem tendência para ficar dobrada se rodar livremente sem entrar em contacto com a peça de trabalho, resultando em ferimentos.

- ◆ **Só deve aplicar pressão directamente na broca e não deve aplicar pressão excessiva.** As brocas podem ficar dobradas e partidas ou causar perda de controlo, resultando em ferimentos.

Avisos de segurança adicionais para berbequim/aparafusadora/perfuradora de impacto

- ◆ **Utilize grampos ou outro sistema prático para fixar e apoiar a peça de trabalho numa plataforma estável.** Segurar a peça com a mão ou contra o corpo pode causar instabilidade e perda de controlo.
- ◆ **Os acessórios e a ferramenta podem ficar quentes durante a operação.** Use luvas quando os utilizar se efectuar aplicações de produção de calor, tais como perfuração de metais.
- ◆ **As saídas de ventilação frequentemente obstruem as peças em movimento e devem ser evitadas.** As roupas largas, as jóias ou o cabelo comprido podem ficar presos nestas peças.
- ◆ **Use óculos de segurança ou outra protecção ocular.** As operações de batimento com o martelo ou de perfuração podem causar a projecção de aparas. As partículas projectadas podem causar danos oculares permanentes.
- ◆ **Use protecção auricular quando efectuar perfurações de impacto.** A exposição ao ruído pode causar perda auditiva.
- ◆ **Utilize o(s) punho(s) auxiliar(es), caso tenha(m) sido fornecido(s) com a ferramenta.** A perda de controlo pode causar ferimentos.
- ◆ **Não utilize esta ferramenta durante longos períodos de tempo.** A vibração causada pela acção da ferramenta pode ser prejudicial às suas mãos e braços. Use luvas para proporcionar uma protecção adicional e limite a exposição, fazendo pausas frequentes.

Avisos de segurança adicionais para ferramentas eléctricas



Atenção! Avisos de segurança adicionais para perfuradoras de impacto

- ◆ **Utilize as pegas auxiliares fornecidas com a ferramenta.** A perda de controlo pode causar ferimentos.
- ◆ **Segure a ferramenta eléctrica apenas pelas superfícies isoladas específicas para o efeito ao efectuar uma operação em que o acessório de corte possa entrar em contacto com fios ocultos.** Se o acessório de corte entrar em contacto com um fio sob tensão eléctrica, as peças de metal expostas da ferramenta podem conduzir electricidade e electrocutar o operador.

- ◆ **Segure a ferramenta eléctrica pelas superfícies isoladas específicas para o efeito ao efectuar uma operação em que o parafuso de fixação possa entrar em contacto com fios ocultos.** Os parafusos de fixação que entrem em contacto com um fio sob tensão eléctrica poderão fazer com que as peças de metal expostas da ferramenta conduzam electricidade e electrocutem o utilizador.
- ◆ **Utilize grampos ou outro sistema prático para fixar e apoiar a peça numa plataforma estável.** Segurar a peça com a mão ou contra o corpo pode causar instabilidade e perda de controlo.
- ◆ **Antes de perfurar paredes, pisos ou tectos, verifique onde estão instalados a cablagem e as tubagens.**
- ◆ **Imediatamente depois de perfurar, evite tocar na ponta da broca, porque pode estar quente.**
- ◆ **A utilização adequada é descrita neste manual de instruções.** O uso de qualquer acessório ou o desempenho de qualquer operação com esta ferramenta, que não seja o recomendado neste manual de instruções pode constituir um risco em termos de ferimentos e/ou danos materiais.

Segurança de terceiros

- ◆ Esta ferramenta não deve ser utilizada por pessoas (incluindo crianças) que apresentem capacidades físicas, sensoriais ou mentais reduzidas ou que não possuam os conhecimentos e a experiência necessários, excepto se forem vigiadas e instruídas acerca da utilização da ferramenta por uma pessoa responsável pela sua segurança.
- ◆ As crianças devem ser vigiadas para que não mexam no equipamento.

Riscos residuais

Podem surgir riscos residuais adicionais durante a utilização da ferramenta, que podem não constar nos avisos de segurança incluídos. Estes riscos podem resultar de má utilização, utilização prolongada, etc.

Mesmo que os regulamentos de segurança relevantes sejam cumpridos e os dispositivos de segurança implementados, alguns riscos residuais não podem ser evitados. Estes incluem:

- ◆ Ferimentos causados quando toca nas peças rotativas/móveis.
- ◆ Ferimentos causados durante a troca de peças, lâminas ou acessórios.
- ◆ Ferimentos causados pela utilização prolongada de uma ferramenta. Se utilizar uma ferramenta durante períodos prolongados, certifique-se de que faz pausas com frequência.
- ◆ Danos auditivos.

- ◆ Os problemas de saúde causados pela inalação de poeiras resultantes da utilização da ferramenta (exemplo: trabalhos em madeira, especialmente carvalho, faia e MDF).

Ruído e vibração

Os valores de emissão de ruído e vibração declarados na secção de dados técnicos e na declaração de conformidade foram medidos de acordo com o método de teste padrão fornecido pela EN 62841 e podem ser utilizados para comparar ferramentas. O valor de emissão de ruído e vibração declarado pode ser também utilizado numa avaliação preliminar de exposição.

Atenção! O valor de emissão de ruído e vibração durante a utilização efectiva da ferramenta eléctrica pode ser diferente do valor declarado, dependendo da maneira como a ferramenta é utilizada. O nível de vibração pode ser superior ao nível indicado.

Quando avaliar a exposição à vibração para determinar as medidas de segurança exigidas pela 2002/44/CE com o intuito de proteger as pessoas que utilizam ferramentas eléctricas com regularidade para fins profissionais, deve considerar fazer uma estimativa da exposição à vibração. As condições de utilização e a maneira como a ferramenta é utilizada, tendo em conta todas as etapas do ciclo de funcionamento, como, por exemplo, quando a ferramenta é desligada e quando está a funcionar ao ralenti, além do tempo de activação.

Etiquetas colocadas na ferramenta

A ferramenta apresenta os seguintes símbolos de aviso em conjunto com o código de data:



Atenção! Para reduzir o risco de ferimentos, o utilizador deve ler o manual de instruções.



Não olhe fixamente para a luz de funcionamento

Instruções de segurança adicionais para baterias e carregadores

Baterias

- ◆ Nunca tente abrir a bateria, seja qual for o motivo.
- ◆ Não exponha a bateria à água.
- ◆ Não armazene em locais onde a temperatura possa exceder os 40 °C.
- ◆ Carregue apenas a temperaturas ambiente entre 10 °C e 40 °C.
- ◆ Carregue apenas com o carregador fornecido com a ferramenta.

- ◆ Ao eliminar as baterias, siga as instruções indicadas na secção "Protecção do ambiente".



Não carregue baterias danificadas.

- ◆ Não danifique/deforme a bateria por perfuração ou impacto, porque pode causar ferimentos e incêndio.
- ◆ Em condições extremas, pode ocorrer uma fuga nas baterias. Se detectar a fuga de líquido das baterias, limpe o líquido cuidadosamente com um pano. Evite o contacto com a pele.
- ◆ Em caso de contacto com a pele ou com os olhos, siga as instruções seguintes.

Atenção! O electrólito da bateria pode causar ferimentos ou danos materiais. Em caso de contacto com a pele, enxágue imediatamente com água. Em caso de vermelhidão, dor ou irritação, contacte um médico. Se entrar em contacto com os olhos, enxágue de imediato com água limpa e peça ajuda médica.

Carregadores

O carregador foi concebido para uma tensão específica. Verifique sempre se a tensão de corrente corresponde à tensão indicada na placa sinalética.

Atenção! Nunca substitua a unidade do carregador por uma tomada de alimentação normal.

- ◆ Utilize apenas o carregador da BLACK+DECKER para carregar a bateria fornecida com a ferramenta. Outras baterias podem rebentar, causando ferimentos e danos.
- ◆ Nunca tente carregar baterias não recarregáveis.
- ◆ Se o cabo de alimentação estiver danificado, deve ser substituído pelo fabricante ou por um centro de assistência autorizado para evitar acidentes.
- ◆ Substitua os cabos defeituosos imediatamente.
- ◆ Não exponha o carregador a água.
- ◆ Não abra o carregador.
- ◆ Não perfure o carregador.
- ◆ O equipamento/ferramenta/bateria deve ser colocado numa área com boa ventilação durante o carregamento.



O carregador é concebido apenas para espaços interiores.



Leia o manual de instruções antes de utilizar este equipamento.

Segurança eléctrica



O carregador tem isolamento duplo. Por esse motivo, não necessita de ligação à terra. Verifique sempre se a tensão de corrente corresponde à tensão indicada na placa sinalética.

Nunca substitua a unidade do carregador por uma tomada de alimentação normal.

- ◆ Se o cabo de alimentação estiver danificado, deve ser substituído pelo fabricante ou por um centro de assistência autorizado da BLACK+DECKER para evitar situações de risco.

Acessórios

Esta ferramenta inclui alguns ou todos os seguintes acessórios.

1. Gatilho de velocidade variável
2. Cursor de avanço/recuo
3. Anel de ajuste do binário
4. Mandril sem chave
5. Engrenagem de duas velocidades
6. Luz de trabalho LED
7. Gancho da correia (disponível com todas as unidades)
8. Bateria
9. Patilha de libertação da bateria

Montagem

Utilização

Atenção! Não altere o ritmo de funcionamento da ferramenta. Não sobrecarregue.

Carregar a bateria (Fig. A1, A2)

A bateria tem de ser carregada antes da primeira utilização e se não produzir energia suficiente para tarefas que eram efectuadas antes com facilidade. A bateria pode ficar quente durante o carregamento. Isto é normal e não é sinal de problema.

Atenção! Não carregue a bateria a uma temperatura ambiente inferior a 10 °C ou superior a 40 °C. Temperatura de carregamento recomendada: cerca de 24 °C.

Nota: O carregador não carrega a bateria se a respectiva temperatura for inferior a cerca de 10 °C ou superior a 40 °C. A bateria deve permanecer no carregador. Este inicia o carregamento automaticamente se a temperatura da bateria aquecer ou arrefecer.

- ◆ Ligue o carregador (10) a uma tomada eléctrica padrão de 230 volts, 50 Hz.
- ◆ Insira a bateria (8) no carregador, como indicado nas Fig. A1, A2.

O LED (10a) começa a piscar, indicando que a bateria está a ser carregada.

A conclusão do processo de carga é indicada pelo LED (10a), que permanece ligado de maneira contínua. A bateria fica totalmente carregada e pode ser utilizada nesta altura ou pode deixá-la no carregador.

Atenção! risco de incêndio. Se retirar a bateria do carregador, certifique-se de que desliga primeiro o carregador da tomada e depois retira a bateria do carregador.

Diagnóstico do carregador

Este carregador foi concebido para detectar determinados problemas que possam surgir com baterias ou a fonte de alimentação. Os problemas são indicados pela iluminação de um LED intermitente com diferentes padrões.

Bateria defeituosa

O carregador pode detectar se a bateria está danificada ou se a carga está reduzida. O LED começa a piscar de acordo com o padrão indicado na etiqueta. Se aparecer este padrão de intermitência de bateria defeituosa, pare o processo de carga da bateria. Entregue-a num centro de assistência ou num local de recolha para reciclagem.

Atraso da bateria quente/fria

Quando o carregador detecta que uma bateria está demasiado quente ou fria, inicia de imediato o atraso da bateria quente/fria, suspendendo o processo de carga até a temperatura da bateria atingir o valor normal. Depois de isto ocorrer, o carregador muda automaticamente para o modo de Carregamento da bateria. Esta funcionalidade assegura a vida útil máxima da bateria. O indicador luminoso começa a piscar de acordo com o padrão indicado na etiqueta.

Deixar a bateria no carregador

O carregador e a bateria podem permanecer ligados com o LED aceso indefinidamente. O carregador mantém a bateria nova e totalmente carregada.

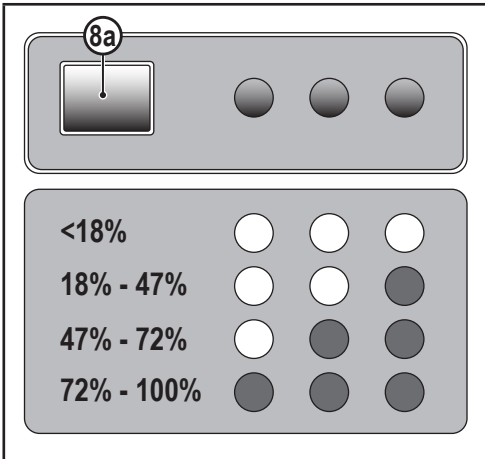
Notas importantes sobre carregamento

- ◆ É possível aumentar a durabilidade e o desempenho se a bateria for carregada entre 18 ° e 24 °C. **NÃO** carregue a bateria se a temperatura ambiente for inferior a +4,5 °C ou superior a +40 °C. Isto é importante e evita a ocorrência de danos graves na bateria.
- ◆ O carregador e a bateria podem ficar quentes durante a fase de carregamento. Isto é uma situação normal e não representa um problema. Para facilitar o arrefecimento da bateria após a utilização, evite colocar o carregador ou a bateria num local quente, como, por exemplo, um barracão de metal ou um atrelado sem isolamento.
- ◆ Se a bateria não carregar correctamente:
 - ◆ Verifique se a tomada está em boas condições, ligando uma lâmpada ou outro equipamento;
 - ◆ Verifique se a tomada está ligada a um gatilho que se desliga quando apaga as luzes;
 - ◆ Coloque o carregador e a bateria num local onde a temperatura do ar ambiente varie aproximadamente entre 18 ° e 24 °C;

- ◆ Se os problemas de carregamento persistirem, leve a ferramenta, a bateria e o carregador para um centro de assistência local.
- ◆ A bateria deve ser recarregada se não fornecer energia suficiente durante trabalhos que tenham sido efectuados facilmente. NÃO CONTINUE a utilizar o equipamento nestas condições. Siga o procedimento de carregamento. Também pode carregar uma bateria parcialmente usada sempre que necessário sem efeitos adversos na bateria.
- ◆ Materiais estranhos de natureza condutora, tais como, mas não limitados a, pó polido, aparas de metal, lã de aço, alumínio em folha ou qualquer acumulação de partículas metálicas devem ser mantidos afastados do compartimento do carregador. Desligue o carregador antes de proceder à limpeza.
- ◆ Não congele nem coloque o carregador dentro de água ou de outros líquidos.

Indicador do estado de carga da bateria (Fig. B)

A bateria inclui um indicador do estado de carga para determinar rapidamente a duração da bateria, como indicado na Figura B. Ao carregar no botão de estado de carga (8a), pode visualizar facilmente a carga restante na bateria, como indicado na Figura B.



Inserir e retirar a bateria da ferramenta (Fig. C)

Atenção! Antes de retirar ou instalar a bateria, certifique-se de que o botão de desbloqueio (2) está engatado para evitar a activação do interruptor.

Para instalar a bateria:

- ◆ Insira a bateria (8) na ferramenta até ouvir um som de encaixe (Fig. C)

Retirar a bateria da ferramenta (Fig. C)

- ◆ Pressione o botão de libertação da bateria (9), como indicado na (Fig. C) e retire a bateria da ferramenta.

Gancho de correia (Fig. D, E)

Atenção! Para reduzir o risco de lesões pessoais graves, coloque o botão de avanço/recuo na posição de desbloqueio ou então desligue a ferramenta e retire a bateria antes de efectuar quaisquer ajustes ou remover/installar dispositivos complementares ou acessórios. Um arranque acidental pode causar lesões.

Atenção! Para reduzir o risco de ferimentos graves, utilize APENAS o gancho do cinto (7) da ferramenta para pendurar a ferramenta num cinto de trabalho. NÃO utilize o gancho do cinto (7) para atar ou fixar a ferramenta numa pessoa ou num objecto durante a utilização. NÃO suspenda a ferramenta nem pendure objectos no gancho do cinto.

Atenção! Para reduzir o risco de ferimentos graves, certifique-se de que o parafuso (11) que prende o gancho do cinto está fixo.

Nota: Quando montar ou substituir o gancho do cinto (7), utilize apenas o parafuso (11) fornecido para o efeito. Certifique-se de que o parafuso fica bem apertado.

O gancho do cinto (7) pode ser montado, encaixando-o nas ranhuras (13) em qualquer lado da ferramenta utilizando apenas o parafuso (11) fornecido, adaptado tanto para pessoas esquerdinas como destros. Se não quiser utilizar o gancho, pode removê-lo da ferramenta.

Para deslocar o gancho do cinto, retire o parafuso (11) que fixa o gancho do cinto (7) no respectivo local e depois volte a montá-lo no lado oposto. Certifique-se de que o parafuso (11) está bem apertado.

Instruções de funcionamento

Gatilho e botão de recuo (Fig. F)

- ◆ O berbequim liga-se e desliga-se se pressionar e libertar o gatilho (1). Quanto mais premir o gatilho, maior será a velocidade do berbequim.
- ◆ O botão de controlo para a frente/para trás (2) determina a direcção da ferramenta e serve igualmente como botão de desbloqueio.
- ◆ Para seleccionar a rotação de avanço, solte o gatilho e carregue no botão de controlo de avanço/recuo para a esquerda.
- ◆ Para seleccionar a rotação de recuo, carregue no botão de controlo de avanço/recuo na direcção oposta.

Nota: A posição central do botão de controlo bloqueia a ferramenta na posição Desligar. Se alterar a posição do botão de controlo, certifique-se de que liberta o gatilho.

Controlo do binário (Fig. G)

A ferramenta está equipada com um anel de ajuste do binário (3) para seleccionar o modo de funcionamento e para definir o binário de aperto dos parafusos. Parafusos grandes e materiais duros requerem uma regulação de binário mais alta do que parafusos pequenos e materiais mais macios.

- ◆ Para perfurar madeira, metal e plásticos, coloque o botão na posição com o símbolo de perfuração.
- ◆ Para perfurar alvenaria, coloque o botão na posição de perfuração com o martelo.
- ◆ Para apertar parafusos, coloque o botão na regulação pretendida. Se ainda não souber qual a posição adequada, proceda da seguinte forma:
- ◆ Coloque o botão na regulação de binário mínimo.
- ◆ Aperte o primeiro parafuso.
- ◆ Se o mecanismo forçar antes de atingir o resultado desejado, aumente a regulação do anel e continue a apertar o parafuso. Repita até obter a regulação pretendida. Utilize esta regulação para os restantes parafusos.

Mandril sem chave (Fig. H)

Atenção! Antes de instalar ou retirar acessórios, certifique-se de que o botão de desbloqueio (2) está engatado para evitar a activação do gatilho.

Para inserir uma broca ou outro acessório:

- ◆ Agarre na ferramenta com uma mão e, com a outra mão, rode o mandril (4) no sentido oposto aos dos ponteiros do relógio, como visualizado da perspectiva da extremidade do mandril.
- ◆ Insira a broca ou outro acessório por completo no mandril e aperte com firmeza, rodando o mandril na direcção dos ponteiros do relógio, da perspectiva da extremidade do mandril.

Atenção! Não tente apertar as brocas (ou qualquer outro acessório) segurando no mandril e ligando a ferramenta. Quando substituir os acessórios, podem ocorrer danos no mandril e ferimentos.

Engrenagem de duas velocidades (Figura I)

A função de duas velocidades do seu berbequim permite mudar de velocidade para uma maior versatilidade. Para seleccionar a velocidade reduzida, regulação de binário elevado (posição 1), desligue a ferramenta e deixe-a a rodar até parar. Faça deslizar o botão de mudança de velocidade (5) no sentido oposto ao do mandril. Para seleccionar a velocidade elevada, regulação de binário baixo (posição 2), desligue a ferramenta e deixe-a a rodar até parar. Faça deslizar o botão de mudança de velocidade na direcção do mandril.

Nota: Não altere a velocidade quando a ferramenta estiver em funcionamento. Se tiver dificuldade em mudar de velocidade, certifique-se de que os botões de mudança de velocidade dupla estão totalmente empurrados para a frente ou para trás.

Perfuração/aparafusamento

- ◆ Selecione a rotação para a frente ou para trás utilizando a patilha para a frente/trás (2).

- ◆ Para ligar a ferramenta, carregue no gatilho (1). A velocidade da ferramenta depende da pressão que exercer no gatilho.
- ◆ Para desligar a ferramenta, solte o gatilho.

Sugestões para uma excelente utilização

Perfuração

- ◆ Utilize apenas brocas afiadas.
- ◆ Apoie e fixe a peça correctamente, de acordo com as instruções de segurança.
- ◆ Utilize equipamento de segurança adequado e necessário, de acordo com as instruções de segurança.
- ◆ Apoie e fixe a área de trabalho, de acordo com as instruções de segurança.
- ◆ Coloque o berbequim a funcionar lentamente, até o furo ser iniciado o suficiente para impedir que a broca deslize.
- ◆ Aplique pressão em linha recta com a broca. Aplique pressão suficiente para perfurar com a broca, mas não a empurre demasiado, porque o motor pode bloquear ou a broca pode desviar-se.
- ◆ Segure o berbequim com firmeza, com ambas as mãos, para controlar a sua acção de torção.
- ◆ **NÃO CARREGUE NO GATILHO DE UM BERBEQUIM BLOQUEADO PARA TENTAR O ARRANQUE. PODE DANIFICAR O BERBEQUIM.**
- ◆ Minimize o encravamento na abertura do orifício, reduzindo a pressão e perfurando devagar na última parte do orifício.
- ◆ Mantenha o motor em funcionamento enquanto puxa a broca para fora de um orifício efectuado. Isto impede que a broca fique encravada.
- ◆ Certifique-se de que o gatilho liga e desliga o berbequim.

Perfurar em madeira

Os orifícios na madeira podem ser feitos com as brocas torcidas para metal ou com brocas achatadas. Estas brocas devem estar afiadas e retiradas com frequência quando retirar limalhas das estrias.

Perfurar em metal

Utilize um lubrificante de corte para perfuração de metais. As excepções incluem ferro fundido e latão, que devem ser perfurados a seco. Os lubrificantes de corte mais adequados são óleo de corte sulfurizado ou óleo de banha.

Perfurar em pedra

Para perfurar alvenaria, coloque o botão (3) na posição de perfuração com o martelo, alinhando o símbolo com a marca. Deslize o selector de velocidade (5) para a parte da frente da ferramenta (2.ª posição).

Aparafusamento

- ◆ Utilize sempre o tipo e tamanho de pontas aparafusadoras correctos.
- ◆ Se os parafusos forem de difícil aperto, aplique uma pequena quantidade de líquido de lavagem ou sabão como lubrificante.
- ◆ Segure sempre a ferramenta e a ponta aparafusadora em linha recta com o parafuso

Resolução de problemas

Problema	Causa possível	Solução possível
A unidade não arranca.	A bateria não está carregada.	Verifique os requisitos de carregamento da bateria
A bateria não carrega.	Carregador não ligado. A temperatura ambiente está demasiado quente ou fria.	Ligue o carregador numa tomada eléctrica. O carregador e a bateria devem estar a uma temperatura de ar circundante superior a 4,5 °C ou inferior a +40,5 °C)
A unidade desliga-se de maneira abrupta.	A bateria atingiu o limite térmico máximo. Sem carga. (Para maximizar a duração da bateria, esta foi concebida para desligar-se de maneira abrupta quando a carga ficar esgotada)	Aguarde até a bateria arrefecer. Instale o carregador e aguarde até o equipamento estar carregado.

Manutenção

A ferramenta eléctrica da BLACK+DECKER foi concebida para funcionar durante um longo período de tempo com uma manutenção mínima. Uma utilização continuamente satisfatória depende de uma manutenção adequada da ferramenta e de uma limpeza frequente.

Além da limpeza frequente, o carregador não necessita de manutenção.

Atenção! Antes de efectuar qualquer tarefa de manutenção, retire a bateria da ferramenta. Desligue o carregador antes de limpá-lo.

- ◆ Limpe regularmente as aberturas de ventilação do ferramenta e o carregador com uma escova suave ou um pano seco.
- ◆ Limpe com regularidade o compartimento do motor com um pano húmido. Não utilize produtos de limpeza abrasivos ou à base de solventes.
- ◆ Abra o mandril regularmente e bata no mesmo para remover qualquer vestígio de pó do seu interior.

Proteger o ambiente



Recolha selectiva. Os produtos e as baterias assinalados com este símbolo não devem ser eliminados em conjunto com o lixo doméstico normal.

Os produtos e pilhas contêm materiais que podem ser recuperados ou reciclados, reduzindo a necessidade de matérias-primas. Recicle os produtos eléctricos e as baterias de acordo com as disposições locais. Estão disponíveis mais informações em www.2helpU.com

Dados técnicos

		BLD683 tipo 1
Tensão	V_{CC}	18
Velocidade sem carga	Min^{-1}	0 - 450/0 - 1800
Binário máx.	Nm	50
Capacidade do mandril	mm	2 a 13
Capacidade máxima de perfuração aço/madeira/alvenaria	mm	13/30/10
Peso	kg	1,1 kg (sem bateria)

Carregador		905902**	N517390
Tensão de entrada	V_{CA}	230	230
Tensão de saída	V_{CC}	18	18
Corrente	mA	400	1000
Tempo de carga aprox.	Horas	3 - 6,5	1,5 - 2,5

Bateria		BDL1518*	BDL2018*	BDL2518*
Tensão	V_{CC}	18	18	18
Capacidade	Ah	1,5	2,0	2,5
Tipo		lões de lítio	lões de lítio	lões de lítio

Nível de pressão sonora de acordo com a norma EN 62841:

Pressão sonora (L_{pA}): 92 dB(A), variabilidade (K): 5 dB(A)

Potência sonora (L_{WA}): 100 dB(A), variabilidade (K): 5 dB(A)

Valores totais de vibração (valores totais de vibração) de acordo com EN 62841:

Perfuração em betão ($a_{h,D}$): 16,8 m/s^2 , variabilidade (K) 1,5 m/s^2

Perfuração em metal ($a_{h,D}$): 2,3 m/s^2 , variabilidade (K): 1,5 m/s^2

Declaração de conformidade CE

DIRECTIVA "MÁQUINAS"



BLD683 - perfuradora de impacto

A Black & Decker declara que os produtos descritos em "dados técnicos" se encontram em conformidade com as seguintes normas e directivas:

2006/42/CE, EN 62841-1:2015+A11:2022, EN 62841-2-1:2018+A11:2019+A1:2022+A12:2022.

Estes produtos estão também em conformidade com as directivas 2014/30/UE e 2011/65/UE.

Para obter mais informações, contacte a Black & Decker através da morada indicada em seguida ou consulte o verso do manual.

O abaixo-assinado é responsável pela compilação do ficheiro técnico e faz esta declaração em nome da Black & Decker.

Patrick Diepenbach

Patrick Diepenbach
Director-geral, Benelux BLACK +DECKER, Richard-Klinger-
Strasse 11, 65510, Idstein, Alemanha
05/10/24

Garantia

A Black & Decker confia na qualidade dos seus produtos e oferece aos consumidores uma garantia de 24 meses a partir da data de compra. Esta garantia é um complemento dos seus direitos estabelecidos por lei, não os prejudicando de forma alguma. A garantia é válida nos territórios dos Estados-membros da União Europeia, da Zona Europeia de Comércio Livre e no Reino Unido.

Para reclamar a garantia, esta deve estar em conformidade com os termos e condições da Black & Decker e terá de apresentar o comprovativo de compra ao revendedor ou a um técnico de reparação autorizado.

Os termos e condições da garantia de 2 anos da Black & Decker e a localização do técnico de reparação autorizado mais próximo pode ser obtido na Internet em www.2helpU.com. Pode também contactar o seu escritório da Black & Decker local através da morada indicada neste manual.

Visite o nosso Website www.blackanddecker.eu para registar o novo produto Black & Decker e receber actualizações sobre novos produtos e ofertas especiais.

Avsedd användning

Din BLACK+DECKER BLD683 - slagbormaskin har designats för skruvdragning och för borring i trä, metall och murverk. Detta verktyg är endast avsett för konsumentbruk.

Säkerhetsinstruktioner

Allmänna säkerhetsvarningar för elverktyg



Varning! Läs igenom alla säkerhetsvarningar, instruktioner, illustrationer och specifikationer som medföljer detta elverktyg. Om inte varningarna och instruktionerna som listas nedan följs kan det resultera i elektriska stötar, brand och/eller allvarliga skador.

Spara alla varningar och instruktioner för framtida referens.

Begreppet "Elverktyg" i alla varningar som listas nedan avser nätdrivna elverktyg (med nätsladd) och batteridrivna elverktyg (sladdlösa).

1. Säkerhet på arbetsplatsen

- Håll arbetsområdet rent och väl upplyst.** Belamrade eller mörka områden inbjuder till olyckor.
- Använd inte elverktyget i explosionsfarlig omgivning, t.ex. i närheten av brännbara vätskor, gaser eller damm.** Verktyg skapar gnistor som kan antända damm eller ångor.
- Håll barn och åskådare på ett säkert avstånd medan ett elverktyg används.** Distractioner kan göra att du förlorar kontrollen.

2. Elsäkerhet

- Elverktygens kontakter måste passa i eluttaget. Modifiera aldrig kontakten på något sätt. Använd inga adapterkontakter tillsammans med (jordade) elverktyg.** Omodifierade kontakter och matchade uttag kommer att reducera risken för elektriska stötar.
- Undvik kroppskontakt med jordade eller jordanslutna ytor såsom rör, radiatorer, spisar och kylskåp.** Det finns en ökad risk för elektrisk stöt om din kropp är jordansluten eller jordad.
- Utsätt inte elverktyget för regn eller våta omgivning.** Vatten som kommer in i ett elverktyg ökar risken för elektrisk stöt.
- Misshandla inte nätsladden. Använd aldrig sladden för att bära, dra eller koppla bort elverktyget från uttaget. Håll sladden på ett säkert avstånd från värme, olja, skarpa kanter eller rörliga delar.** Skadade eller trasliga sladdar ökar risken för elektriska stötar.
- Använd en förlängningssladd som lämpar sig för utomhusbruk när du arbetar med elverktyg utomhus.**

- Användning av en sladd som passar för utomhusanvändning minskar risken för elektrisk stöt.
- f. **Om du måste använda ett elverktyg på en fuktig plats, bör du använda en strömförsörjning med jordfelsbrytare.** Användning av en RCD minskar risken för elektriska stötar.
3. **Personlig säkerhet**
- a. **Var koncentrerad, ha koll på vad du gör och använd sunt förnuft när du arbetar med ett elverktyg. Använd inte ett elverktyg när du är trött eller påverkad av droger, alkohol eller medicinering.** Ett ögonblicks uppmärksamhet när du arbetar med elektriska verktyg kan resultera i allvarlig personskada.
- b. **Använd personlig skyddsutrustning.** Rätt användning av personlig skyddsutrustning, t.ex. skyddsglasögon, dammfiltermask, halkfria säkerhetsskor, hjälm och hörselskydd, minskar risken för kroppsskada.
- c. **Förhindra oavsiktlig start. Kontrollera att omkopplaren står i avstängt läge innan du ansluter verktyget till elmätet eller sätter i batteriet, samt innan du tar upp eller bär verktyget.** Om du bär elverktyg med ditt finger på strömbrytaren eller ansluter ett påkopplat elverktyg till nätströmmen kan en olycka inträffa.
- d. **Ta bort alla inställningsverktyg och skruvnycklar innan du startar elverktyget.** En skiftnyckel eller en nyckel som sitter kvar på en roterande del av elverktyget kan resultera i personskada.
- e. **Sträck dig inte för mycket. Ha ordentligt fotfäste och balans hela tiden.** Detta ger bättre kontroll över elverktyget i oväntade situationer.
- f. **Bär lämpliga kläder. Bär inte lösa kläder eller smycken. Håll hår, beklädnad och handskar borta från delar i rörelse.** Lösa kläder, smycken eller långt hår kan fastna i rörliga delar.
- g. **Om enheten har dammsugnings- och uppsamlingsutrustning, se till att den är ansluten och används på korrekt sätt.** Användning av dammuppsamling kan minska dammrelaterade faror.
- h. **Bli inte vårdslös och ignorera inte säkerhetsprinciperna trots att du är van att använda verktyget.** En oförsiktig handling kan orsaka allvarliga skador under bråkdelen av en sekund.
4. **Användning och skötsel av elverktyg**
- a. **Överbelasta inte elverktyget. Använd korrekt elverktyg för ditt arbete.** Korrekt elverktyg kommer att göra arbetet bättre och säkrare vid den hastighet som det är designad för.
- b. **Använd inte elverktyget om strömbrytarens funktion att slå på och av inte fungerar.** Ett elverktyg som inte kan kontrolleras med strömbrytaren är farligt och måste repareras.
- c. **Ta bort batteriet, om det är löstagbart, från elverktyget och/eller aktivera en batteriavstängningsanordning innan du tar bort material som har fastnat, gör justeringar, byter tillbehör, rengör eller förvarar elverktyg.** Sådana förebyggande säkerhetsåtgärder minskar risken för att elverktyget startar oavsiktligt.
- d. **Förvara elverktyg utom räckhåll för barn och låt inte personer som är ovana vid elverktyget eller som inte läst denna bruksanvisning använda dem.** Elektriska verktyg är farliga i händerna på utbildade användare.
- e. **Underhåll elverktyg och tillbehör. Kontrollera att rörliga komponenter fungerar felfritt och inte kärvar, att komponenter inte gått sönder eller skadats och inget annat föreligger som kan påverka elverktygets funktion. Om det är skadat, se till att elverktyget blir reparerat före användning.** Många olyckor orsakas av dåligt underhållna elektriska verktyg.
- f. **Håll skärande verktyg vassa och rena.** Ordentligt underhållna skärverktyg med vassa sågkanter minskar risken för att fastna och är lättare att kontrollera.
- g. **Använd elverktyg, tillbehör, bits m.m. enligt dessa anvisningar, samtidigt som hänsyn tas till arbetsförhållandena och det arbete som ska utföras.** Användningen av elverktyget för andra verksamheter än de som det är avsett för skulle kunna resultera i en farlig situation.
- h. **Modifera inte verktyget.** Modifieringar kan försämra funktionen för säkerhetsanordningarna och öka risken för operatören och/eller andra personer i närheten.
- i. **Håll handtagen och greppytorna torra, rena och fria från olja och fett.** Hala handtag och greppytor kan leda till en osäker hantering och att du förlorar kontrollen över verktyget.
- j. **Håll händer och elkablar borta från verktygets arbetsområde.** Under drift kan slangar och elkablar döljas, och kan därför skadas av misstag.
5. **Användning och skötsel av batteridrivet verktyg**
- a. **Ladda endast med den laddare som är specificerad av tillverkaren.** En laddare som passar en batterityp kan medföra brandrisk om den används ihop med ett annat batteri.
- b. **Använd endast de batteri som är speciellt avsedda för elverktyget.** Användning av andra batterier kan leda till personskador eller eldsvåda.
- c. **När batteriet inte används ska du hålla det åtskilt från metallföremål som gem, mynt, nycklar, spik, skruvar och andra små metallföremål som kan orsaka kortslutning mellan batteriets poler.** Kortslutning av batteripolererna kan leda till brännskador eller eldsvåda.
- d. **Vid felaktig användning kan vätska komma ut från batteriet, undvik kontakt. Vid oavsiktlig kontakt, spola med vatten.**

Om vätskan kommer i kontakt med ögonen, sök också läkarhjälp. Vätska som sprutar ur batteriet kan orsaka sveda och brännskador.

- e. **Använd inte batterier eller verktyg som är skadade eller modifierade.** Defekta eller modifierade batterier kan fungera oförutsägbart och ge upphov till brand, explosion eller risk för kroppsskador.
- f. **Utsätt inte batteriet eller verktyget för eld eller höga temperaturer.** Exponering för brand eller temperatur över 130 °C kan orsaka explosion. OBS! Temperaturen "130 °C" kan ersättas med temperaturen "265 °F".
- g. **Följ laddningsinstruktionerna och ladda inte batteriet eller verktyget utanför det temperaturområde som specificeras i instruktionerna.** Att ladda på fel sätt eller utanför det angivna temperaturintervallet kan skada batteriet och öka brandrisken.
- h. **Sänk aldrig ner verktyget eller batteriet i vatten.** Nedsänkning i vatten ökar risken för överhettning, brand och/eller explosion, vilket kan leda till personskada eller skada på egendom.
- i. **Utsätt aldrig verktyget eller batteriet för frätande eller ledande vätskor, såsom havsvatten, industrikemikalier, blekmedel eller produkter som innehåller blekmedel o.s.v.** Inträngning av frätande eller ledande vätskor ökar risken för överhettning, brand och/eller explosion, vilket kan leda till personskada eller skada på egendom.

6. Service

- a. **Låt en kvalificerad reparatör som använder identiska reservdelar utföra service på ditt elverktyg.** Detta säkerställer att elverktygets säkerhet behålls.
- b. **Gör aldrig service på skadade batteripaket.** Service av batteripaket bör endast genomföras av tillverkaren eller auktoriserade tjänsteleverantörer.

Säkerhetsinstruktioner för alla arbeten

- ◆ **Använd hörselskydd vid slagborrning.** Exponering för buller kan orsaka hörselskador.
- ◆ **Stöd verktyget ordentligt innan användning.** Detta verktyg producerar ett högt vridmoment och utan korrekt stöd av verktyget under arbetet kan förlust av kontrollen resultera i personskador.
- ◆ **Håll elverktyget i isolerade greppytor under arbete där skärtillbehöret kan komma i kontakt med dolda strömförande ledningar.** Kapptillbehör som kommer i kontakt med en strömförande ledning kan göra att exponerade metalldelar hos elverktyget blir strömförande och kan ge användaren en elektrisk stöt.

Säkerhetsinstruktioner när långa borrbits används

- ◆ **Arbeta aldrig på högre hastighet än maximala hastighetsmärkningen på borrbiten.**

Vid högre hastigheter är sannolikheten att den böjs om den tillåts att rotera fritt utan kontakt med arbetsstycket vilket resulterar personskador.

- ◆ **Starta alltid borrningen på låg hastighet och med bitsen i kontakt med arbetsstycket.** Vid högre hastigheter är sannolikheten att den böjs om den tillåts att rotera fritt utan kontakt med arbetsstycket vilket resulterar personskador.
- ◆ **Använd endast tryck i direkt linje med bitsen och använd inte överdrivet tryck.** Bits kan böjas och brytas sönder eller göra att kontrollen förloras vilket resulterar i personskador.

Ytterligare säkerhetsregler för bormaskiner/ skruvdragare/slagbormaskin

- ◆ **Använd klämmor eller något annat praktiskt sätt att säkra och stödja arbetsstycket vid ett stabilt underlag.** Att hålla arbetet för hand eller mot kroppen är instabilt och kan göra att du förlorar kontrollen.
- ◆ **Tillbehör och verktyg kan bli heta under arbetet.** Använd handskar vid hantering om arbete görs som producerar hetta såsom borrning i metall.
- ◆ **Luftventiler täcker ofta rörliga delar och bör undvikas.** Lösa kläder, smycken eller långt hår kan fastna i rörliga delar.
- ◆ **Använd skyddsglasögon eller annat ögonskydd.** Slagborrning och borrningsarbeten kan göra att flisor flyger omkring. Flygande partiklar kan orsaka permanenta ögonskador.
- ◆ **Använd hörselskydd vid slagborrning.** Exponering för buller kan orsaka hörselskador.
- ◆ **Använd hjälphanthag om de medföljer verktyget.** Förlorad kontroll kan orsaka personskador.
- ◆ **Använd inte detta verktyg under längre perioder.** Vibrationer som orsakas av verktyg kan vara skadliga för dina händer och armar. Använd handskar för att få extra stötdämpning och begränsa exponeringen genom att ta regelbunden paus.

Allmänna säkerhetsvarningar för elverktyg



Varning! Ytterligare säkerhetsanvisningar för slagskruvdragare

- ◆ **Använd extra handtag som följer med verktyget.** Förlorad kontroll kan orsaka personskador.
- ◆ **Håll elverktyget i isolerade greppytor under arbete där skärtillbehöret kan komma i kontakt med dolda strömförande ledningar.** Kapptillbehör som kommer i kontakt med strömförande ledningar kan göra metalldelarna strömförande och ge operatören en elektrisk stöt.
- ◆ **Håll elverktyget i isolerade greppytor under arbete där verktyget kan komma i kontakt med strömförande ledningar.**

Fästelement som kommer i kontakt med strömförande ledningar kan göra metalldelarna strömförande och ge operatören en elektrisk stöt.

◆ **Använd klämmor eller andra praktiska sätt att fästa och stödja arbetsstycket på en stabil plattform.**

Arbetsstycket som hålls i handen eller mot kroppen gör det instabilt och kan leda till att kontrollen förloras.

- ◆ Innan du borrar i väggar, golv eller tak ska du kontrollera var rör eller elledning finns.
- ◆ Undvik att vidröra borrens spets precis efter borring, eftersom den kan bli väldigt varm.
- ◆ Den avsedda användningen beskrivs i denna bruksanvisning. Användning av något tillbehör eller tillsatser eller utförande av något arbete annat än de som rekommenderas i denna bruksanvisning kan utgöra en risk för personskador och/eller skador på egendom.

Säkerhet för andra

- ◆ Verktöget ska inte användas av personer (inklusive barn) med nedsatt fysisk eller mental förmåga eller bristande erfarenhet och kunskap om de inte får vägledning och övervakas av en person som ansvarar för deras säkerhet.
- ◆ Barn ska hållas under uppsikt så att de inte leker med apparaten.

Kvarvarande risker

Ytterligare risker som inte anges i de bifogade säkerhetsanvisningarna kan uppstå när verktöget används. Dessa risker kan uppstå vid felaktig eller långvarig användning o.s.v.

Även om alla relevanta säkerhetsanvisningar följs och säkerhetsanordningar används kan vissa kvarstående risker inte undvikas. Dessa inkluderar:

- ◆ Skador orsakade av att roterande/rörliga delar vidrörs.
- ◆ Skador orsakade när delar, skivor eller tillbehör byts.
- ◆ Skador som orsakas av långvarig användning av ett verktyg. Se till att regelbundet ta vilopausar när du använder ett verktyg under en längre period.
- ◆ Hörselnedsättning.
- ◆ Hälsorisker orsakade av inandning av damm när verktöget används (exempel: arbete med trä, särskilt ek, bok och MDF)

Buller och vibrationer

De vibrations- och bullervärden som anges i avsnitten Tekniska data och deklarationen om överensstämmelse har uppmätts i enlighet med en standardtestmetod föreskriven i EN 62841 och kan användas för jämförelse med andra verktyg. De angivna vibrations- och bullervärdena kan även användas för en preliminär bedömning av exponeringen.

Varning! Vibrationsvärdet och bullervärdet under faktisk användning av elverktöget kan skilja sig från det uppgivna värdet beroende på hur verktöget används. Vibrationsnivån kan överstiga den angivna nivån.

Vid uppskattningar av exponering för vibrationer i syfte att bedöma vilka säkerhetsåtgärder som är nödvändiga enligt 2002/44/EG för att skydda personer som regelbundet använder elverktyg i arbetet ska man utgå från de faktiska omständigheter under vilka elverktöget används och sättet på vilket det används. Bedömningen ska även ta hänsyn till alla moment i arbetscykeln, t.ex. när verktöget är avstängt och när det går på tomgång såväl som när det faktiskt används.

Etiketter på verktöget

Följande symboler visas på verktöget tillsammans med datumkoden:



Varning! Läs bruksanvisningen före användning för att minska risken för personskador.



Titta inte direkt in i arbetslampan

Ytterligare säkerhetsinstruktioner för batterier och laddare

Batterier

- ◆ Försök aldrig öppna batteriet.
- ◆ Utsätt inte batteriet för vatten.
- ◆ Förvara inte på platser där temperaturen kan bli högre än 40 °C.
- ◆ Ladda endast vid temperaturer mellan 10 °C och 40 °C.
- ◆ Ladda endast med hjälp av laddare som medföljer verktöget.
- ◆ Följ instruktionerna som anges i avsnittet "Skydda miljön" när du kastar batterierna.



Försök inte ladda skadade batterier.

- ◆ Skydda batteripaketet från skador/deformeringar i form av slag och stötar eftersom det kan leda till personskador eller eldsvåda.
- ◆ Under extrema förhållanden kan batterierna läcka. Om det finns vätska på batterierna ska du torka bort vätskan försiktigt med en trasa. Undvik hudkontakt.
- ◆ Vid kontakt med hud eller ögon, följ instruktionerna nedan.

Varning! Batterivätskan kan orsaka person- eller materialskador. Vid hudkontakt, skölj genast med vatten. Vid rodnader, smärta eller irritation ska läkare uppsöks. Vid kontakt med ögonen, skölj genast med rent vatten och uppsök läkare.

Laddare

Din laddare har designats för en specifik spänning. Kontrollera alltid att nätspänningen överensstämmer med spänningen på märkskylten.

Varning! Försök aldrig byta ut kontakten till laddaren mot en vanlig kontakt.

- ◆ Använd endast din BLACK+DECKER-laddare som följer med verktyget för att ladda batteriet. Andra batterier kan spricka och orsaka personskador eller andra skador.
- ◆ Försök aldrig att ladda batterier som inte är laddningsbara.
- ◆ Om nätsladden är skadad måste den bytas ut av tillverkaren eller ett auktoriserat servicecenter för att farliga situationer ska undvikas.
- ◆ Byt defekta sladdar omgående.
- ◆ Utsätt inte laddaren för vatten.
- ◆ Öppna inte laddaren.
- ◆ Gör ingen åverkan på laddaren.
- ◆ Apparaten/verktyget/batteriet ska placeras på en plats med god ventilation vid laddning.



Laddaren är endast avsedd för inomhusbruk.



Läs bruksanvisningen före användning.

Elsäkerhet



Denna laddare är dubbelisolerad; därför behövs ingen jordanslutning. Kontrollera alltid att nätspänningen överensstämmer med spänningen på märkskylten. Försök aldrig byta ut kontakten till laddaren mot en vanlig kontakt.

- ◆ Om nätsladden är skadad måste den bytas ut av tillverkaren eller en auktoriserad BLACK+DECKER-verkstad för att undvika farliga situationer.

Funktioner

Det här verktyget har några eller samtliga av följande funktioner.

1. Variabel hastighetsavtryckare
2. Skjutknapp framåt/bakåt
3. Vridmomentsreglage
4. Snabbchuck
5. Hastighetsväljare med två lägen
6. LED-arbetsbelysning
7. Bälteskrok (finns för alla enheter)
8. Batteri
9. Batteriläsknapp

Montering

Användning

Varning! Låt verktyget arbeta i dess egen takt. Överbelasta inte.

Ladda batteriet (bild A1, A2)

Batteriet behöver laddas innan första användning och närhelst det inte producerar tillräckligt med energi för arbeten som lätt gjordes tidigare. Batteriet kan bli varmt när det laddas. Det är normalt och innebär inte att något är fel.

Varning! Ladda inte batteriet vid en omgivande temperatur under 10 °C eller över 40 °C. Rekommenderad laddningstemperatur: ungefär 24 °C.

Obs! Laddaren laddar inte batteriet om celltemperaturen är lägre än ungefär 10 °C eller högre än 40 °C. Batteriet skall lämnas kvar i laddaren och laddaren startar laddningen automatiskt när celltemperaturen värmts upp eller kylts ned.

- ◆ Koppla in laddaren (10) i ett 230 Volts 50 Hz standardeluttag.
- ◆ Skjut in batteriet (8) i laddaren på det sätt som visas i fig. A1 och A2.

Lysdioden (10a) blinkar för att indikera att batteriet laddas.

När laddningen är klar indikeras det av att lysdioden (10a) lyser konstant. Batteriet är fulladdat och kan nu användas eller lämnas i laddaren.

Varning! brandrisk. När batteriet skall tas bort från laddaren se till att först koppla bort laddaren från vägguttaget ta sedan bort batteriet från laddaren.

Laddningsdiagnostik

Denna laddare är designad att upptäcka vissa problem som kan uppstå med batteripaketet eller strömkällan. Problemen indikeras av en LED-blinkning i olika mönster.

Dåligt batteri

Laddaren kan upptäcka ett svagt eller skadat batteri. LED blinkar i mönstret som anges på etiketten. Om du ser ett dåligt batteri, fortsätt då inte att ladda batteriet. Returnera det till ett servicecenter eller lämna det till batteriinsamlingen.

Fördröjning hett/kallt paket

När laddaren upptäcker ett batteri som är överdrivet hett eller överdrivet kallt startat den automatiskt en hett/kallt paketfördröjning och skjuter upp laddningen tills batteriet har normal temperatur. Efter att detta sker kommer laddaren automatiskt att växla till paketladdningsläge. Denna funktion garanterar maximal livslängd för batteriet. Ljuset blinkar i mönstret som indikeras på etiketten.

Lämna batteriet i laddaren

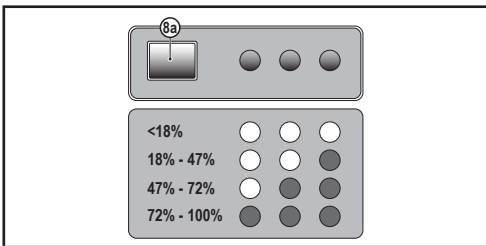
Batteriet kan sitta kvar i laddaren och laddaren kan vara ansluten till vägguttaget hur länge som helst när indikatorn lyser. Laddaren ser till att batteriet hålls fräscht och fulladdat.

Viktiga laddningsnoteringar

- ◆ Längsta livslängd och bäst prestanda erhålls om batteriet laddas när lufttemperaturen är mellan 18 - 24 °C. Ladda INTE batteriet i en lufttemperatur under +4,5 °C eller över +40 °C. Detta är viktigt och kommer att förhindra allvarliga skador på batteriet.
- ◆ Laddaren och batteriet kan bli för varma att vidröra under laddningen. Detta är normalt och indikerar inte något problem. För att möjliggöra kylningen av batteripaketet efter användning, undvik att placera laddaren eller batteripaketet i en varm miljö såsom i ett metallskjul eller isolerad vagn.
- ◆ Om batteriet inte laddas korrekt:
 - ◆ Kontrollera eluttaget genom att ansluta en lampa eller någon annan apparat.
 - ◆ Kontrollera om uttaget är anslutet till en strömbrytare som stänger av strömmen när du släcker lamporna.
 - ◆ Flytta laddaren och batteriet till en plats där den omgivande temperaturen är ungefär 18 - 24 °C.
 - ◆ Om laddningsproblemen kvarstår, lämna verktyget, batteriet och laddaren till ditt lokala servicecenter.
- ◆ Batteripaketet måste laddas när de inte längre kan producera tillräckligt med energi för jobb som enkelt utfördes tidigare. FORTSÄTT INTE att använda det under dessa förhållanden. Följ laddningsproceduren. Du kan också ladda delvis använda batterier när du så önskar utan några negativa effekter på batteriet.
- ◆ Främmande föremål som är ledande såsom, men inte begränsat till, slipdamm, metallspån, stålull, aluminiumfolie eller ansamling av metallpartiklar bör hållas borta från laddningshållrummet. Koppla från laddaren innan den ska rengöras.
- ◆ Frys inte eller sänk ned laddaren i vatten eller annan vätska.

Laddningsindikator (fig. B)

Batteriet har en laddningsindikator för att snabbt avgöra batteriets livslängd, som visas i fig. B. Genom att trycka på laddningsknappen (8a) kan du enkelt se den laddning som finns kvar i batteriet (visas i fig. B).



Installation eller borttagning av batteriet från verktyget (fig. C)

Varning! Se till att låsknappen (2) är inkopplad för att förhindra att omkopplare aktiveras innan batteriet installeras eller tas bort.

Installera batteriet:

- ◆ Sätt in batteriet (8) i verktyget tills du hör ett klickljud (fig. C)

Borttagning av batteriet från verktyget (fig. C)

- ◆ Tryck ned batterilåsknappen (9) såsom visas i figur C och dra ut batteriet från verktyget.

Bälteskrok (fig.D, E)

Varning! För att minska risken för allvarlig personskada, placera framåt/bakåt-knappen låst position eller stäng av verktyget och koppla bort batteripaketet innan du gör några justeringar eller tar bort/installerar tillsatser eller tillbehör. En oavsiktlig start kan orsaka skador.

Varning! För att minska risken för allvarlig personskada, använd ENDAST verktygets bälteskrok (7) för att hänga upp verktyget från ett arbetsbälte. Använd INTE bälteskroken (7) för binda fast eller fästa verktyget till en person eller föremål under användning. Häng INTE verktyg över huvudet eller häng föremål i bälteskroken.

Varning! För att minska risken för allvarliga personskador, se till att skruven (11) som håller fast bälteskroken sitter fast ordentligt.

Obs! Vid montering eller byte av bälteskroken (7), använd endast den skruv (11) som medföljer. Se till att skruven dras åt ordentligt.

Bälteskroken (7) kan fästas genom att låta den glida in i öppningarna (13) på valfri sidan av verktyget med endast den skruv (11) som medföljer, för att anpassas för höger- eller vänsterhänta användare. Om kroken inte önskas kan den tas bort från verktyget.

För att ta bort bälteskroken, ta bort skruven (11) som håller bälteskroken (7) på plats och monter den sedan på motsatta sidan. Se till att skruven (11) dras åt ordentligt.

Driftinstruktioner

Avtryckare och backknapp (fig. F)

- ◆ Bormaskinen slås på och stängs av genom att genom att trycka på och släppa avtryckaren (1). Ju längre strömbrytaren trycks in desto högre blir borrens hastighet.
- ◆ Med framåt-/bakåtknappen (2) väljer man verktygets riktning (höger-/vänstergång). Knappen fungerar även som låsknapp.
- ◆ För att välja framåt rörelsen släpper du strömbrytaren och flyttar framåt-/bakåtknappen åt vänster.
- ◆ För att välja bakåt rörelsen flyttar du framåt-/bakåtknappen åt andra hållet.

Obs! Den mittersta positionen låser verktyget i avstängt läge. Vid ändring av positionen för kontrollknappen se till att avtryckaren är släppt.

Vridmoment (fig. G)

Detta verktyg är utrustat med en inställningsring (3) för att välja driftläge och inställning av vridmomentet vid skruvdragning. Stora skruvar och hårt material i arbetsstycken kräver en högre inställning av vridmomentet än små skruvar i mjuka material.

- ◆ Vid borring i trä, metall och plast vrider du ringen till läget med borrymbolen.
- ◆ Vid borring i mjukt murverk vrider du ringen till slagborrläget.
- ◆ Vid idragning av skruvar vrider du ringen till önskat läge. Om du inte vet vilket läge du ska välja gör du så här:
- ◆ Ställ in ringen på det lägsta vridmomentet.
- ◆ Dra åt den första skruven.
- ◆ Om kopplingen slår ifrån innan önskat resultat är uppnått ökar du ringinställningen och fortsätter att dra åt skruven. Upprepa tills du hittat rätt inställning. Använd denna inställning för de återstående skruvarna.

Nyckelfri chuck (fig. H)

Varning! Se till att låsknappen (2) är aktiverad för att förhindra att omkopplare aktiveras innan installation eller borttagning av tillbehör.

Isättning av en borrbits eller annat tillbehör:

- ◆ Ta tag i verktyget med ena handen och använd den andra handen för att vrida på chucken (4) moturs, sett från chuckänden.
- ◆ För in bitsen eller annat tillbehör helt i chucken och dra åt ordentligt genom att vrida chucken medurs såsom visas från chuckänden.

Varning! Försök inte att dra fast borrbitsar (eller något annat tillbehör) genom att greppa chuckens framdel och sätta igång verktyget. Chucken kan skadas eller personskadorna kan uppstå när tillbehör byts.

Dubbelt växelområde (Figur I)

Den här bormaskinen har två olika hastighetslägen, vilket gör den mer flexibel. För att välja en låg hastighet och högt vridmoment (position 1), stäng av verktyget och vänta tills det stannat. Skjut växelbytesknappen (5) bort från chucken. För att välja inställningen hög hastighet, lågt vridmoment (position 2), stäng av verktyget och låt det stanna. Skjut växelbytesknappen mot chucken.

Obs! Ändra inte växlar medan verktyget körs. Om du har problem med att växla, se till att hastighetsväljarknappen är tryckt antingen helt framåt eller helt bakåt.

Borring/skruvdragning

- ◆ Välj framåt- eller bakåtgående rörelse genom att använda framåt-/bakåttreglaget (2).
- ◆ Starta verktyget genom att trycka på strömbrytaren (1). Verktygets hastighet beror på hur hårt du trycker på strömbrytaren.
- ◆ Stäng av verktyget genom att släppa upp strömbrytaren.

Tips för optimal användning

Borring

- ◆ Använd endast vassa bits.
- ◆ Stöd och fäst arbetsstycket ordentligt såsom instrueras i säkerhetsinstruktionerna.
- ◆ Använd lämplig och nödvändig säkerhetsutrustning, som beskrivs i säkerhetsinstruktionerna.
- ◆ Säkra och underhåll arbetsområdet såsom instrueras i säkerhetsinstruktionerna.
- ◆ Kör borren mycket sakta, använd lätt tryck tills hålet är tillräckligt stort för att hålla kvar borrbitsen.
- ◆ Tryck i bitsens riktning. Tryck tillräckligt hårt för att bitsen ska borra, men inte så hårt att motorn stannar eller bitsen böjer sig.
- ◆ Håll borren ordentligt med båda händerna så att du kan hålla emot verktygets vridande rörelse.
- ◆ OM BORREN STANNAR SKA DU INTE FÖRSÖKA STARTA DEN IGEN GENOM ATT TRYCKA IN OCH SLÄPPA STRÖMBRYTAREN UPPREPADE GÅNGER. DETTA KAN LEDA SKADOR PÅ BORREN.
- ◆ Minska risken för att borren stannar vid genomborring genom att minska trycket och borra sakta den sista biten.
- ◆ Låt motorn vara igång medan du drar ut bitsen ur hålet. Då minskar risken för att verktyget kör fast.
- ◆ Se till att avtryckaren startar och stänger av bormaskinen.

Borring i trä

Hålen i trä kan göras med samma borrbits som används för metall eller med plattborrar. Dessa bits skall vara vassa och skall dras ut regelbundet vid borring för att rensa spån från spåret.

Borra i metall

Använd ett skärsmörjemedel vid borring i metall. Undantaget är gjutjärn och mässing som bör borras torrt. Skärsmörjemedlet som fungerar bäst är svavelskärolja eller späckolja.

Borra i betong

Vid borring i murverk vrider du ringen (3) till slagborrläget genom att passa in symbolen med markeringen. Skjut hastighetsväljaren (5) mot främre delen av verktyget (2:a växeln).

Skruvdragning

- ◆ Använd alltid skruvbits av rätt sort och storlek.

- ◆ Om en skruv är svår att dra åt kan du använda lite diskmedel eller tvål som smörjmedel.
- ◆ Håll alltid verktyget och skruvbitsen i en rak linje i förhållande till skruven

Felsökning

Problem	Möjlig orsak	Möjlig lösning
Enheten startar inte.	Batteriet är inte laddat.	Se till att batteriet är ordentligt laddat
Batteriet går inte att ladda.	Laddaren är inte ansluten till elnätet. Omgivande lufttemperatur är för varm eller för kall.	Koppla in laddaren i ett fungerande eluttag. Flytta laddaren och batteriet till en plats där temperaturen i den omgivande luften är över 4,5 °C eller under +40,5 °C
Enheten stängs av plötsligt.	Batteriet har nått dess maximala termiska gräns. Urladdat. (För att maximera livslängden på batteriet är det designat att stängas av när laddningen är klar	Låt batteripaketet svalna. Placera på laddare och ladda.

Underhåll

Ditt BLACK+DECKER-verktyg har designats att fungera under lång tid med minimalt underhåll. En kontinuerlig drift beror korrekt verktygsvård och regelbunden rengöring. Din laddare kräver inget underhåll förutom regelbunden rengöring.

Varning! Innan något underhåll görs på verktyget, ta bort batteriet från verktyget. Koppla ifrån laddaren innan den rengörs.

- ◆ Rengör regelbundet verktygets luftintag och laddaren med en mjuk borste eller torr trasa.
- ◆ Rengör regelbundet motorhöjlet med en fuktig trasa. Använd aldrig något slipande eller lösningsmedelsbaserat rengöringsmedel.
- ◆ Öppna chocken med jämna mellanrum och knacka på den för att avlägsna damm som sitter på insidan.

Miljöskydd



Separat insamling. Produkter och batterier som är markerade med denna symbol får inte kastas i de vanliga hushållssoporna.

Produkter och batterier innehåller material som kan återvinnas och återanvändas vilket minskar behovet av råmaterial. Återvinn elektriska produkter och batterier enligt lokala föreskrifter. Ytterligare information finns tillgänglig på www.2helpU.com

Tekniska data

BLD683 Typ 1		
Spänning	V_{DC}	18

BLD683 Typ 1		
Obelastat varvtal	Min ⁻¹	0 - 450 / 0 - 1800
Max. vridmoment	Nm	50
Chuckkapacitet	mm	2-13
Max. borkkapacitet stål/trä/murverk	mm	13/30/10
Vikt	kg	1,1 kg (utan batteri)

Laddare	905902**		N517390
Ingångsspänning	V_{AC}	230	230
Utgående spänning	V_{DC}	18	18
Ström	mA	400	1000
Laddningstid cirka	Timmar	3 - 6,5	1,5 - 2,5

Batteri	BDL1518*		BDL2018*	BDL2518*
Spänning	V_{DC}	18	18	18
Kapacitet	Ah	1,5	2,0	2,5
Typ		Litiumjon	Litiumjon	Litiumjon

Ljudtrycksnivå enligt EN 62841:

Ljudtryck (L_{pA}) 92 dB(A), osäkerhet (K) 5 dB(A)

Ljudeffekt (L_{WA}) 100 dB(A), osäkerhet (K) 5 dB(A)

Totala vibrationsvärden (vektorsumman av tre axlar) enligt EN 62841:

Borring i betong ($a_{h,D}$) 16,8 m/s², osäkerhet (K) 1,5 m/s²

Borring i metall ($a_{h,D}$) 2,3 m/s², osäkerhet (K) 1,5 m/s²

EG-försäkran om överensstämmelse

MASKINDIREKTIVET



BLD683 - slagbormaskin

Black & Decker försäkrar att dessa produkter, beskrivna under "tekniska data" uppfyller:

2006/42/EC, EN 62841-1:2015+A11:2022, EN 62841-2-1:2018+A11:2019+A1:2022+A12:2022.

Dessa produkter överensstämmer även med direktiven 2014/30/EU och 2011/65/EU. För ytterligare information kontakta Black & Decker på följande adress eller se baksidan på denna bruksanvisning.

Undertecknad är ansvarig för sammanställningen av tekniska data och gör denna försäkran för Black & Decker.

Patrick Diepenbach

Patrick Diepenbach
General Manager, Benelux BLACK +DECKER, Richard-
Klinger-Strasse 11, 65510 Idstein, Tyskland
2024-10-05

Garanti

Black & Decker är övertygad om sina produkters kvalitet och erbjuder konsumenterna 24 månaders garanti från och med inköpsdatumet. Denna garanti är ett tillägg och påverkar inte i något hänseende dina lagstadgade rättigheter. Garantin är giltig i områden som tillhör medlemsstaterna i Europeiska unionen och det europeiska frihandelsområdet och i Storbritannien.

För yrkande under garantin måste yrkandet vara i enlighet med Black & Deckers villkor och du kommer att behöva skicka in bevis på köpet till försäljaren eller en auktoriserad reparatör. Villkoren i Black & Deckers tvååriga garanti och var din närmaste auktoriserade reparatör finns kan erhållas på internet på www.2helpU.com, eller genom att kontakta ditt lokala Black & Decker kontor på adressen som anges i denna manual.

Besök vår webbplats www.blackanddecker.eu för att registrera din nya Black & Decker-produkt samt för att få information om nya produkter och specialerbjudanden.

NORSK

(Oversettelse av de opprinnelige instruksjonene)

Tiltenkt bruk

Din BLACK+DECKER BLD683 - slagboremaskin, er designet for skrutrekking og for boring i tre, metall, plast og murverk. Dette verktøyet er kun ment for privat bruk.

Sikkerhetsanvisninger

Generelle sikkerhetsadvarsler for elektroverktøy



Advarsel! Les alle sikkerhetsadvarsler, instruksjoner, illustrasjoner og spesifikasjoner som følger med dette elektroverktøyet. Hvis du ikke følger advarslene og instruksjonene nedenfor, kan dette resultere i elektrisk støt, brann og/eller alvorlig personskade.

Ta vare på alle advarsler og instruksjoner for fremtidig bruk. Uttrykket «elektroverktøy» i alle advarslene nedenfor gjelder for strømdrevne elektroverktøy (med ledning) og batteridrevne elektroverktøy (uten ledning).

1. Sikkerhet i arbeidsområdet

- Hold arbeidsområdet ryddig og godt opplyst.** Rotete eller mørke områder er en invitasjon til ulykker.
- Du skal ikke bruke elektroverktøy i eksplosive atmosfærer slik som hvor det finnes antennbare væsker, gasser eller støv.** Elektroverktøy skaper gnister som kan antenne støv eller gasser.
- Hold barn og tilskuere unna når du bruker elektroverktøyet.** Forstyrrelser kan føre til at du mister kontrollen over verktøyet.

2. Elektrisk sikkerhet

- Verktøyet støpsel må passe til stikkkontakten. Du skal ikke modifisere støpselet på noen måte. Ikke bruk adapterstøpsler til jordede elektroverktøy.** Umodifiserte støpsler og stikkontakter som passer vil redusere risikoen for elektrisk støt.
- Unngå kroppskontakt med jordede overflater slik som rør, radiatorer, komfyrer og kjøleskap.** Det er fare for elektrisk støt hvis kroppen din er jordat.
- Ikke eksponer elektroverktøy for regn eller våte forhold.** Vann som kommer inn i et elektroverktøy vil øke faren for elektrisk støt.
- Ikke misbruk ledningen. Du skal aldri bruke ledningen til å bære, dra eller til å plugge ut elektroverktøyet. Hold ledningen unna varme, olje, skarpe kanter og bevegelige deler.** Skadede eller flokede ledninger øker risikoen for elektrisk støt.
- Når du bruker elektroverktøyet utendørs skal du bruke en skjøteledning som er tiltenkt utendørs bruk.** Bruk av en skjøteledning som passer til utendørs bruk reduserer faren for elektrisk støt.
- Hvis det er uunngåelig å bruke verktøyet på et fuktig sted skal du bruke en jordfeilbryter (RCD).** Bruk av en RCD reduserer faren for elektrisk støt.

3. Personlig sikkerhet

- Vær oppmerksom, pass på hva du gjør og bruk sunn fornuft ved bruk av et elektroverktøy. Ikke bruk elektroverktøy når du er trett eller under påvirkning av rusmidler, alkohol eller medisiner.** Et øyeblikks uoppmerksomhet ved bruk av et elektroverktøy kan føre til alvorlig personskade.
- Bruk alltid personlig verneutstyr.** Personlig verneutstyr som beskyttelsesbriller, støvmaske, sklislire vernesko, hjelm og/eller hørselsvern som passer til forholdene, reduserer risikoen for personskader.
- Unngå utilsiktet startung.** Kontroller at bryteren står i posisjon «av» før du kobler til strømkilden og/eller batteripakken, og før du tar opp eller bærer verktøyet. Ved å bære elektroverktøy med fingeren på utløseren eller ved å koble en energikilde til elektroverktøy som har bryteren på kan føre til ulykker.
- Fjern justeringsnøkkel før du slår på elektroverktøyet.** En nøkkel som sitter på en roterende del av elektroverktøyet kan føre til personskade.
- Strek deg ikke for langt. Stå stødig på bena og ha god balanse hele tiden.** Dette gir bedre kontroll over elektroverktøyet i uventede situasjoner.
- Kle deg skikkelig. Ikke ha på løse klær eller smykker. Hold hår, klær og hansker unna bevegelige deler.** Løse klær, smykker eller langt hår kan sette seg fast i bevegelige deler.

- g. Hvis du har støvsuger og støvsamler, skal du forsikre deg om at de er festet skikkelig og brukes på riktig måte. Bruk av støvsuger kan redusere støvrelaterede farer.
- h. Ikke la erfaring med hyppig bruk av verktøy la deg bli likegyldig og ignorere verktøyets sikkerhetsregler. En uforsiktig handling kan føre til alvorlig personskade innen brøkdelen av et sekund.
4. **Bruk og stell av elektroverktøy**
- a. Ikke bruk makt på elektroverktøyet. Bruk riktig elektroverktøy for ditt bruk. Det riktige elektroverktøyet vil gjøre jobben bedre og sikrere i området det er designet for.
- b. Ikke bruk elektroverktøyet hvis på/av-bryteren ikke slår det av og på. Ethvert elektroverktøy som ikke kan kontrolleres med på/av-bryteren er farlig og må repareres.
- c. Fjern batteripakken, hvis den kan tas av, fra elektroverktøyet og/eller aktiver en batterideaktiverende enhet før du fjerner fastkjørt materiale, foretar justeringer, skifter tilbehør, rengjør eller oppbevarer elektroverktøy. Slike forebyggende sikkerhetstiltak reduserer faren for at elektroverktøyet starter ved et uhell.
- d. Oppbevar verktøy utenfor barns rekkevidde og ikke tillat personer som ikke er kjent med elektroverktøyet eller bruksanvisningen å håndtere verktøyet. Elektroverktøy er farlige i hendene på brukere uten opplæring.
- e. Sørg for vedlikehold av elektroverktøy og tilbehør. Undersøk om bevegelige deler er feiljustert eller blokkert, om deler er skadet, og om det er andre forhold som kan påvirke elektroverktøyets funksjon. Hvis det er skadet skal du få elektroverktøyet reparert før bruk. Mange ulykker oppstår på grunn av dårlig vedlikehold av elektroverktøy.
- f. Hold skjæreverktøy skarpe og rene. Godt vedlikeholdte skjæreverktøy med skarpe egger setter seg mindre sannsynlig fast og er lettere å kontrollere.
- g. Bruk elektroverktøyet, tilbehøret og verktøybits etc. i samsvar med disse instruksjonene og ta hensyn til arbeidsforhold og arbeidet som skal utføres. Bruk av elektroverktøyet til annen bruk enn den tiltenkte kan føre til farlige situasjoner.
- h. Ikke modifier verktøyet. Modifikasjoner kan redusere effektiviteten av sikkerhetstiltak og øke farene for brukeren og/eller tilskuere.
- i. Hold håndtak og gripeoverflater tørt, rent og fritt for olje og fett. Glatte håndtak og gripeflater kan føre til usikker håndtering og/eller tap av kontroll over verktøyet.
- j. Hold slanger og elektriske kabler unna arbeidsområdet på verktøyet. Under bruk kan slanger og elektriske kabler være skjult og skades ved et uhell av verktøyet.
5. **Bruk og vedlikehold av batteridrevne verktøy**
- a. Du skal kun lade med en lader som er spesifisert av produsenten. En lader som passer en type batteripakke kan være brannfarlig når den brukes med en annen batteripakke.
- b. Bruk elektroverktøy kun med spesielt tiltenkte batteripakker. Bruk av andre batteripakker kan føre til fare for brann.
- c. Når batteripakken ikke er i bruk, hold den unna metallobjekter som binders, mynter, spikere, skruer eller andre små metallgjenstander som kan kortslutte fra en kontakt til den andre. Kortslutning av batterikontaktene kan føre til brannskader eller brann.
- d. Under tunge forhold kan det komme væske ut av batteriet, unngå kontakt med den. Dersom du utilsiktet kommer i kontakt med væsken, skyl med vann. Dersom du får væsken i øynene, søk også medisinsk hjelp. Væske fra batteriet kan føre til irritasjoner eller etseskader.
- e. Batteripakke eller verktøy som er skadet eller modifisert skal ikke brukes. Batterier som er skadet eller modifisert kan ha uventet oppførsel og føre til brann, eksplosjon eller personskader.
- f. Batteripakken skal ikke utsettes for brann eller for høy temperatur. Ild eller temperatur over 130 °C kan føre til en eksplosjon. MERK: Temperaturen "130 °C" kan erstattes av temperaturen "265 °F".
- g. Følg alle ladeinstruksjoner og ikke lade batteripakken eller verktøyet utenfor temperaturområdet som angitt i bruksanvisningen. Feil lading eller ved temperaturer utenfor det angitt området kan skade batteriet og øke faren for brann.
- h. Senk aldri verktøyet eller batteripakken i vann. Nedsenking i vann øker risikoen for overoppheting, brann og/eller eksplosjon, noe som kan føre til personskade og skade på eiendom.
- i. Utsett aldri verktøyet eller batteripakken for etsende eller ledende væsker, slik som sjøvann, industrikjemikalier, blekemiddel eller produkter som inneholder blekemiddel osv. Inntrengning av etsende eller ledende væsker øker risikoen for overoppheting, brann og/eller eksplosjon, som kan føre til personskade og skade på eiendom.
6. **Service**
- a. La elektroverktøyet få service av en kvalifisert reparatør og bruk kun identiske reservedeler. Dette sikrer at sikkerheten ved elektroverktøyet opprettholdes.
- b. Skadede batteripakker skal aldri repareres. Service på batteripakker skal kun utføres av produsenten eller autoriserte serviceverksteder.

Sikkerhetsinstruksjoner for all bruk

- ◆ **Bruk hørselsvern ved slagboring.** Eksponering for støy kan føre til hørselstap.
- ◆ **Hold verktøyet riktig før bruk.** Verktøyet leverer et høyt moment, og dersom man ikke holder verktøyet riktig under bruk kan tap av kontroll føre til personskader.
- ◆ **Hold det elektriske verktøyet kun i isolerte gripeoverflater når du utfører operasjoner hvor skjæreverktøyet kan komme i kontakt med skjulte ledninger.** Kuttetilbehør som kommer i kontakt med strømførende ledninger gjør eksponerte metalldele av elektroverktøyet strømførende og kan gi brukeren elektrisk støt.

Sikkerhetsanvisninger ved bruk av lange drillbits

- ◆ **Bruk aldri høyere hastighet enn maksimal angitt hastighet for drillbiten.** Ved høyere hastigheter har biten en tendens til å bøye seg dersom den roterer fritt uten kontakt med arbeidsstykket, det kan føre til personskade.
- ◆ **Start alltid å bore ved lav hastighet, og med enden av boret i kontakt med arbeidsstykket.** Ved høyere hastigheter har biten en tendens til å bøye seg dersom den roterer fritt uten kontakt med arbeidsstykket, det kan føre til personskade.
- ◆ **Påfør kun trykk i en rett linje med biten, og trykk ikke for hardt.** Boret kan bli bøyd eller ødelagt, eller det kan føre til tap av kontroll eller personskade.

Ekstra sikkerhetsregler spesielt for drill/ skrutrekker/slagbor

- ◆ **Bruk klemmer eller en annen praktisk måte å feste og støtte arbeidsstykket på en stabil plattform.** Å holde arbeidsstykket i hendene eller mot kroppen er ustabil og kan føre til at du mister kontroll.
- ◆ **Tilbehør og verktøy kan bli varme under bruk.** Bruk hansker ved håndtering dersom det utføres arbeid som generere varme, som ved boring i metall.
- ◆ **Luftehull dekker ofte bevegelige deler og skal unngås.** Løstsittende antrekk, smykker eller langt hår kan bli fanget opp av bevegelige deler.
- ◆ **Bruk vernebriller eller annen øyebeskyttelse.** Hammer- og boreoperasjoner gjør at fliser flyr gjennom luften. Flyvende partikler kan forårsake permanent øyeskade.
- ◆ **Bruk hørselsvern ved slagboring.** Eksponering for støy kan føre til hørselstap.
- ◆ **Bruk hjelpehåndtakene dersom de leveres med verktøyet.** Tap av kontroll kan føre til personskader.
- ◆ **Ikke bruk dette verktøyet over lengre perioder.** Vibrasjon som forårsakes av verktøybruk kan være skadelig for hender og armer. Bruk hansker for ekstra demping og begrenset eksponering ved å ta hyppige pauser.

Ekstra sikkerhetsadvarsler for elektroverktøy



Advarsel! Ytterligere sikkerhetsadvarsler for slagbor

- ◆ **Bruk ekstrahåndtakene som følger med verktøyet.** Tap av kontroll kan føre til personskader.
- ◆ **Hold elektroverktøyet på de isolerte gripeoverflatene når du utfører arbeid hvor kuttetilbehøret kan komme i kontakt med skjulte ledninger.** Kuttetilbehør som kommer i kontakt med strømførende ledninger gjør eksponerte metalldele av elektroverktøyet strømførende og kan gi brukeren elektrisk støt.
- ◆ **Hold elektroverktøyet på de isolerte gripeoverflatene når du utfører arbeid hvor kuttetilbehøret/skruen kan komme i kontakt med skjulte ledninger.** Skruer/tilbehør som kommer i kontakt med strømførende ledninger gjør eksponerte metalldele av elektroverktøyet strømførende og kan gi brukeren elektrisk støt.
- ◆ **Bruk klemmer eller en annen praktisk måte til å sikre og støtte arbeidsstykket til en stabil plattform.** Ved å holde arbeidet i hånden eller mot kroppen gjør det ustabil og kan føre til tap av kontroll.
- ◆ Før du borer i vegger, gulv eller tak skal du sjekke hvor det er ledninger og rør.
- ◆ Unngå å ta på toppen av drillbiten rett etter boring da den kan være varm.
- ◆ Tiltenkt bruk er beskrevet i denne bruksanvisningen. Bruk av noe tilbehør eller utførelse av noe arbeid med dette verktøyet annet enn det som er beskrevet i denne bruksanvisningen utgjør en fare for personskader og/eller materielle skader.

Andres sikkerhet

- ◆ Dette apparatet er ikke ment for bruk av personer (inkludert barn) med redusert fysiske, sensoriske eller mentale evner, eller mangel på erfaring og kunnskap, med mindre de får tilsyn eller har blitt opplært i bruk av apparatet av en person ansvarlig for deres sikkerhet.
- ◆ Barn skal holdes oppsyn med for å forsikre at de ikke leker med verktøyet.

Restrisikoer

Når verktøyet brukes, kan det oppstå ytterligere risikoer som kanskje ikke er beskrevet i de medfølgende sikkerhetsadvarslene. Disse risikoene kan bli forårsaket av feil bruk, langvarig bruk osv.

Selv om de relevante sikkerhetsbestemmelsene blir fulgt, og sikkerhetstiltakene blir gjennomført, kan visse gjenværende risikoer ikke unngås. Disse inkluderer:

- ◆ Personskader forårsaket av roterende/bevegelige deler.
- ◆ Personskader som oppstår under skifte av deler, blader eller tilbehør.
- ◆ Personskader forårsaket av lang tids bruk av verktøyet.

Når du bruker et verktøy i lange perioder, må du sørge for å ta regelmessige pauser.

- ◆ Hørselskader.
- ◆ Helsefarer som skyldes innånding av støv som dannes når du bruker verktøyet (for eksempel under arbeid med tre, spesielt eik, bøk og MDF.)

Støy og vibrasjon

Vibrasjonsemissionsverdien som er angitt under tekniske data og samsvarserklæring, er blitt målt i henhold til en standard testmetode som er angitt i EN 62841, og kan brukes til å sammenligne et verktøy med et annet. Den oppgitte vibrasjons- og støyemissionsverdien kan også brukes til en foreløpig vurdering av eksponering.

Advarsel! Støy og vibrasjon under faktisk bruk av elektroverktøyet kan avvike fra den oppgitte verdien avhengig av måten verktøyet blir brukt på. Vibrasjonsnivået kan øke over det angitte nivået.

Når det vurderes vibrasjonseksponering for å avgjøre hvilke sikkerhetstiltak som kreves ifølge 2002/44/EF, for å beskytte personer som bruker elektroverktøy regelmessig til arbeidsformål, skal det, når vibrasjonseksponeringen anslås, tas hensyn til de faktiske bruksforholdene og måten verktøyet blir brukt på. Dette inkluderer å ta hensyn til alle deler av brukssyklusen, for eksempel når verktøyet er avslått, når det går på tomgang og når utløseren er trykket inn.

Merker på verktøyet

De følgende symbolene vises på verktøyet sammen med datokoden:



Advarsel! Brukeren må lese håndboken for å redusere risikoen for personskade.



Ikke se direkte på lampen når den er på

Ytterligere sikkerhetsinstruksjoner for batterier og ladere

Batterier

- ◆ Forsøk aldri å åpne av noen årsak.
- ◆ Ikke utsett batteriet for vann.
- ◆ Ikke oppbevar det på steder hvor temperaturen kan komme over 40 °C.
- ◆ Skal bare lades ved omgivelsestemperaturer mellom 10 °C og 40 °C.
- ◆ Bruk bare laderen som følger med apparatet.
- ◆ Følg instruksjonene i avsnittet «Miljøvern» når du skal kaste batterier.



Ikke forsøk å lade opp skadede batterier.

- ◆ Ikke skad eller deformer batteripakken ved punktering eller støt, da dette kan føre til risiko for personskade og brann.
- ◆ Under ekstreme forhold kan batterilekkasje forekomme. Hvis du oppdager væske på batteriene, må du tørke den forsiktig av med en klut. Unngå kontakt med huden.
- ◆ Hvis væsken kommer i kontakt med huden eller øynene, følger du instruksjonene nedenfor.

Advarsel! Batterivæsken kan føre til personskade eller skade på eiendom. Ved hudkontakt skyller du umiddelbart med vann. Hvis huden blir rød eller irritert eller smerter inntreffer, søk øyeblikkelig medisinsk hjelp. Hvis væsken kommer i kontakt med øynene, skyller du umiddelbart med rent vann og søker øyeblikkelig medisinsk hjelp.

Ladere

Laderen er designet for en bestemt spenning. Du skal alltid sjekke at strømforsyningen samsvarer med spenningen på typeskiltet.

Advarsel! Ikke skift ut laderen med et vanlig nettstøpsel.

- ◆ Bruk BLACK+DECKER-laderen kun for lading av batteriet som fulgte med verktøyet. Andre batterier kan eksplodere og føre til personskader og materielle skader.
- ◆ Prøv aldri å lade ikke-oppladbare batterier.
- ◆ Hvis strømledningen blir skadet, må den skiftes av produsenten eller et autorisert servicesenter for å unngå fare.
- ◆ Skift ut defekte ledninger umiddelbart.
- ◆ Ikke utsett laderen for vann.
- ◆ Ikke åpne laderen.
- ◆ Ikke stikk noe inn i laderen.
- ◆ Apparatet/verktøyet/batteriet må plasseres på et sted med god gjennomlufting når det lades.



Laderen er bare beregnet for innendørs bruk.



Les bruksanvisningen før bruk.

Elektrisk sikkerhet



Denne laderen er dobbelisolert, og derfor trengs ikke jording. Du skal alltid sjekke at strømforsyningen samsvarer med spenningen på typeskiltet. Ikke skift ut laderen med et vanlig nettstøpsel.

- ◆ Hvis strømledningen blir skadet, må den byttes av produsenten eller et autorisert BLACK+DECKER-servicesenter for å unngå fare.

Egenskaper

Denne verktøyet har noen eller alle av disse egenskapene.

1. Bryter for variabel hastighet
2. Glidebryter for fremover/bakover
3. Momentjusteringskrage
4. Nøkkelløs chuck
5. Gir med to områder
6. LED-arbeidslampe
7. Beltekrok (tilgjengelig med alle enheter)
8. Batteri
9. Batterilåseknapp

Montering

Bruk

Advarsel! La verktøyet arbeide i sin egen hastighet. Må ikke overbelastes.

Lade batteriet (figur A1, A2)

Batteriet må lades før første gangs bruk og hver gang det ikke lenger gir tilstrekkelig effekt ved jobber som gikk lett før. Batteriet kan bli varmt ved lading, dette er normalt og tyder ikke på noen feil.

Advarsel! Ikke lade batteriet ved temperaturer under 10 °C eller over 40 °C. Anbefalt ladetemperatur er omtrent 24 °C.

Merk: Laderen vil ikke lade batteriet dersom temperaturen er under omtrent 10 °C eller over 40 °C.

Batteriet bør bli stående i laderen og laderen vil automatisk starte ladingen når celledemperaturen stiger eller synker igjen.

- ◆ Plugg laderen (10) inn i en standard stikkontakt 230 volt 50 Hz.
- ◆ Sett batteripakken (8) inn i laderen som vist i fig. A1, A2. LED-lyset (10a) vil blinke for å indikere at batteriet lades.

Fullført lading vises ved at LED-lyset (10a) er på konstant. Pakken er da fullt oppladet og kan brukes, eller den kan bli stående i laderen.

Advarsel! Brannfare. Når du tar batteriet ut av laderen, pass på å trekke støpselet ut av stikkontakten først, deretter kan du ta batteriet ut av laderen.

Laderdiagnose

Denne laderen er designet for å oppdage visse problemer som kan oppstå med batteripakken eller strømkilden. Problemer indikeres av et LED-lys som blinker i ulike mønstre.

Dårlig batteri

Laderen kan registrere et svakt eller skadet batteri. LED blinker i mønstre som angitt på etiketten. Dersom du ser blinkemønsteret for dårlig batteri, ikke fortsett lading av batteriet. Returner det til et servicesenter eller et oppsamlingssted for resirkulering.

Varm/kald pakkeforsinkelse

Når laderen oppdager en batteripakke som er alt for varm eller kald, vil den straks starte en varm/kald pakkeforsinkelse og opphøre å lade til batteripakken har nådd passende temperatur. Etter det vil laderen automatisk skifte til lademodus for pakken. Denne egenskapen sikrer maksimal levetid av batteripakken. Lyset blinker i mønstre som angitt på etiketten.

La batteriet stå i laderen

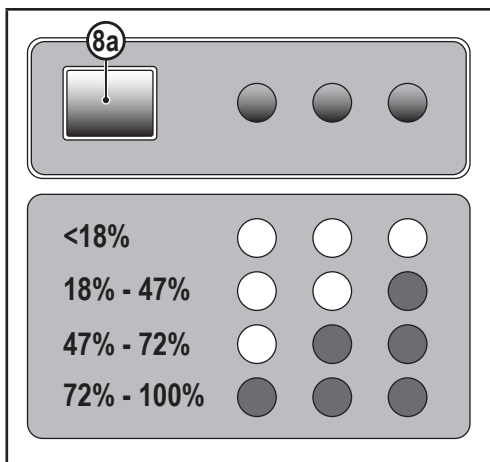
Laderen og batteripakken kan forbli tilkoblet med lysende LED i ubegrenset tid. Laderen holder batteripakken fulladet og klar til bruk.

Viktige merknader om lading

- ◆ Lengst levetid og best ytelse kan oppnås dersom batteripakken lades med lufttemperatur mellom 18 – 24 °C. ALDRI lade batteripakken ved lufttemperatur under +4,5 °C eller over +40 °C. Dette er viktig og vil forhindre alvorlig skade på batteripakken.
- ◆ Laderen og batteripakken kan bli varme å ta på under lading. Dette er normalt og tyder ikke på noen feil. For å kjøle ned batteripakken etter bruk, unngå å legge laderen i et varme omgivelser slik som et metallskur eller en uisolert trailer.
- ◆ Dersom batteripakken ikke lades ordentlig:
 - ◆ Sjekk funksjonen av stikkontakten ved å plugge inn en lampe eller et annet apparat.
 - ◆ Se om stikkontakten er koblet til en strømbryter for å slå strømmen på og av sammen med lysene.
 - ◆ Flytt laderen og batteripakken til et sted hvor omgivelsestemperaturen er omtrent 18 – 24 °C.
 - ◆ Hvis ladeproblemene vedvarer, ta verktøyet, batteripakken og laderen til ditt lokale servicesenter.
- ◆ Denne batteripakken må lades opp når den slutter å gi nok strøm til jobber som ble utført lett tidligere. I så fall, IKKE FORTSETT bruken under disse forholdene. Følg ladeprosedyren. Du kan også lade en delvis oppladet pakke når som helst du ønsker det, med ingen negativ effekt på batteripakken.
- ◆ Fremmedlegemer av ledende art som, men ikke begrenset til, slipestøv, metallspån, aluminiumsfolie, og enhver oppbygging av metallpartikler skal ikke komme inn i laderens hulrom. Kople fra laderen før rengjøring.
- ◆ Ikke frys eller senk ned laderen i vann eller andre væsker.

Indikator for ladetilstand for batteri (fig. B)

Batteriet er utstyrt med en ladeindikator slik at man raskt kan se batterilevetiden som vist i figur B. Ved å trykke ladeindikatorknappen (8a) kan du enkelt se gjenværende batterilevetid som illustrert i figur B.



Sette inn og ta ut batteripakken på verktøyet (fig. C)

Advarsel! Sørg for at låseknappen (2) er aktivert for å forhindre at bryteren aktiveres før du tar ut eller setter inn batteriet.

For å installere batteripakken:

- ◆ Sett batteripakken (8) inn i verktøyet til du hører et klikk (fig. C)

Ta ut batteripakken av verktøyet (fig. C)

- ◆ Trykk inn utløserknapp for batteriet (9) som vist i (fig. C) og trekk batteripakken ut av verktøyet.

Beltekrok (figur D, E)

Advarsel! For å redusere faren for alvorlig personskade, sett fremover/bakover knappen i låseposisjonen eller slå av verktøyet og kople fra batteripakken før du gjør justeringer eller fjerner/monterer tilbehør. Det kan oppstå personskade hvis verktøyet slår seg på ved et uhell.

Advarsel! For å redusere faren for alvorlige personskader, bruk beltekroken (7) KUN til å henge verktøyet fra arbeidsbeltet. IKKE bruk beltekroken (7) for å feste eller henge verktøyet på en person eller et objekt under bruk. IKKE heng verktøyet over hodehøyde eller heng objekter fra beltekroken.

Advarsel! For å redusere faren for alvorlig personskade, sørg for at skruen (11) som holder beltekroken sitter godt.

Merk: Når du fester eller skifter ut beltekroken (7) må du kun bruke skruen (11) som medfølger. Påse at skruen strammes godt.

Beltekroken (7) kan festes ved å skli den inn i sporene (13) på en av sidene på verktøyet kun ved bruk av den medfølgende skruen (11), for å tilpasses venstre- og høyrehendte brukere. Dersom kroken ikke ønskes kan den fjernes fra verktøyet.

For å flytte beltekroken, ta ut skruen (11) som holder beltekroken (7) på plass og monter den på den andre siden. Påse at skruen (11) strammes godt.

Bruksanvisning

Avtrekkerbryter og reversbryter (fig. F)

- ◆ Drillen slås PÅ og AV ved å trekke og slippe avtrekkerbryteren (1). Jo hardere avtrekkeren trykkes, desto fortere går drillen.
- ◆ En kontrollknapp (2) for fremover/bakover bestemmer retningen på verktøyet og tjener også som låseknapp.
- ◆ For å velge rotasjon fremover, slipp avtrekkeren og beveger kontrollknappen for fremover/bakover til venstre.
- ◆ For å velge revers, beveger du kontrollknappen i motsatt retning.

Merk: Midtposisjonen av kontrollbryteren låser verktøyet i av-posisjon. Ved endring av posisjon av kontrollbryteren, pass på at du har sluppet avtrekkeren.

Momentkontroll (fig. G)

Dette verktøyet er utstyrt med en momentjusteringskrage (3) for valg av driftsmodus og innstilling av moment ved trekking av skruer. Store skruer og arbeidsstykker av harde materialer krever høyere moment enn små skruer og arbeidsstykker av mykt materiale.

- ◆ For boring i tre, metall og plast stilles mansjetten i stillingen med boresymbolet.
- ◆ For boring i mur stilles mansjetten i stillingen med slagboringssymbolet.
- ◆ Når apparatet brukes som skrutrekker, settes mansjetten i ønsket stilling. Hvis du ikke vet hva som er riktig innstilling ennå, går du frem slik:
- ◆ Sett mansjetten i stillingen for laveste moment.
- ◆ Skru til den første skruen.
- ◆ Hvis koblingen lager en klikkelyd før du oppnår ønsket resultat, øker du innstillingen av mansjetten og fortsetter å stramme skruen. Gjenta helt til du har korrekt innstilling. Bruk denne innstillingen for de gjenværende skruene.

Nøkkelløs chuck (fig. H)

Advarsel! Pass på at låseknappen (2) er satt på for å forhindre start før du setter inn eller tar ut tilbehør.

For å sette inn en drill-bit eller annet tilbehør:

- ◆ Ta tak i verktøyet med den ene hånden og bruk den andre hånden til å rotere chucken (4) i retning mot klokken, sett fra chuckenden.
- ◆ Sett bor eller annet tilbehør helt inn i chucken, og stram godt til ved å vri chucken med klokken sett fra enden av chucken.

Advarsel! Ikke forsøk å stramme drill-bits (eller annet tilbehør) ved å gripe rundt fronten av chucken og deretter slå på verktøyet. Det kan oppstå personskader og skader på chucken når du skifter tilbehør.

To-område gir (fig. 1)

To-område funksjonen på boremaskinen lar deg skifte gir for større anvendelighet. For å velge lav hastighet, høyt moment (posisjon 1), slå av verktøyet og la det stoppe helt. Skyv girvelgerbryteren (5) bort fra chucken. For å velge høy hastighet, lavt moment (posisjon 2), slå av verktøyet og la det stoppe helt.

Skyv girvelgerbryteren mot chucken.

Merk: Ikke skift gir når verktøyet går. Dersom du har problemer med å skifte gir, pass på at to-område girbryteren er skjøvet enten helt forover eller helt bakover.

Boring/skruing

- ◆ Velg rotasjon fremover eller bakover med glidebryteren (2) for fremover/bakover.
- ◆ Trykk på bryteren (1) for å slå verktøyet på. Verktøyets hastighet avhenger av hvor langt du trykker bryteren.
- ◆ Slipp bryteren for å slå verktøyet av.

Tips for optimal bruk

Boring

- ◆ Bruk kun skarpe drillbits.
- ◆ Støtt opp og fest arbeidsstykket godt, som angitt i sikkerhetsanvisningene.
- ◆ Bruk riktig og påkrevd sikkerhetsutstyr, som angitt i sikkerhetsinstruksjonen.
- ◆ Sikre og vedlikeholde arbeidsområdet som beskrevet i sikkerhetsinstruksjonen.
- ◆ Kjør maskinen svært langsomt til hullet er dypt nok til å holde drillbiten fra å skli ut.
- ◆ Trykk i rett linje med boret. Bruk nok trykk for at drill-biten biter, men ikke så mye at motoren kjører seg fast eller bit-en sklir.
- ◆ Hold drillen fast med begge hender for å kontrollere vridningen.
- ◆ IKKE KLIKK MED BRYTEREN PÅ EN FASTKJØRT BOR PÅ OG AV FOR Å FORSØKE Å STARTE DET. DET KAN FØRE TIL SKADER PÅ BOREMASKINEN.
- ◆ Reduser blokkering til et minimum ved gjennombrudd ved å redusere trykket og bore langsomt gjennom den siste delen av hullet.
- ◆ Hold motoren i gang mens du trekker boret ut av det borede hullet. Dette vil forhindre fastkjøring.
- ◆ Forsikre deg om at bryteren slår drillen på og av.

Boring i tre

Hull i tre bores med samme spiral-bits som brukes for metall, eller med spade-bits. Slike bits skal være skarpe og bør trekkes ut regelmessig under boring for å fjerne spon fra sporene.

Bore i metall

Bruk en skjærevæske ved boring i metall. Unntakene er støpejern og messing, som bør bores tørt. De beste skjærevæskene er svevselholdig olje eller fettolje.

Bore i mur

For boring i mur setter du mansjetten (3) i slagboringsposisjonen ved å plassere symbolet på linje med merket. Skyv hastighetsvelgeren (5) fremover mot fronten av verktøyet (2. gir).

Skruing

- ◆ Bruk alltid riktig type og størrelse av skrutrekkerbit.
- ◆ Hvis skruer er vanskelige å stramme, prøv du å bruke litt flytende vaskemiddel eller såpe som smøremiddel.
- ◆ Hold alltid verktøyet og skrutrekkerbiten i rett linje med skruen

Feilsøking

Problem	Mulig årsak	Mulig løsning
Enheten starter ikke.	Batteripakke ikke ladet.	Sjekk ladekravene for batteripakken
Batteripakke vil ikke lades.	Laderen er ikke satt i stikkkontakten. Omgivelsesluften er for varm eller kald.	Plugg inn laderen i en fungerende stikkontakt. Flytt laderen og batteriet til et sted med lufttemperatur over 40 grader F (4,5°C) eller under 105 grader F (+40,5°C)
Enheten stopper brått.	Batteripakken har nådd sin maksimale temperaturgrense. Ikke ladet. For å få lengst mulig levetid på batteriet, er batteripakken designet for å slå seg av straks den er utladet.	La batteripakken kjøle seg. Sett i laderen og la den lade seg opp.

Vedlikehold

Ditt BLACK+DECKER-verktøy er designet for å brukes i en lang tidsperiode med et minimum av vedlikehold. Forsatt tilfredsstillende ytelse avhenger av skikkelig ivaretagelse av verktøyet og regelmessig rengjøring.

Laderen krever ikke annet vedlikehold enn regelmessig rengjøring.

Advarsel! Før du foretar vedlikehold på verktøyet, ta batteriet ut av verktøyet. Trekk ut laderen fra stikkkontakten før du rengjør den.

- ◆ Rengjør ventilasjonsåpningene i verktøyet og laderen jevnlig med en myk børste eller tørr klut.
- ◆ Du skal regelmessig rengjøre motorhuset ved bruk av en fuktig klut. Ikke bruk slipende eller løsemiddelbaserte rengjøringsmidler.
- ◆ Åpne borelåsen regelmessig, og bank på den for å fjerne eventuelt støv fra innsiden.

Miljøvern



Separat innsamling. Produkter og batterier merket med dette symbolet skal ikke kastes i vanlig husholdningsavfall.

Produkter og batterier inneholder materialer som kan resirkuleres eller gjenbrukes for å redusere etterspørselen for råmaterialer. Vennligst lever elektrisk utstyr og batterier til gjenbruk i henhold til lokale retningslinjer. Ytterligere informasjon finner du på www.2helpU.com

Teknisk data

BLD683 Type 1		
Spenning	V_{DC}	18
Ubelastet hastighet	Min^{-1}	0 - 450 / 0 - 1800
Maks. moment	Nm	50
Chuck-kapasitet	mm	2-13
Maks. borekapasitet i stål/tre/mur	mm	13/30/10
Vekt	kg	1,1 kg (uten batteri)

Lader		905902**	N517390
Inngangsspenning	V_{AC}	230	230
Utgangsspenning	V_{DC}	18	18
Strøm	mA	400	1000
Omtrentlig ladetid	Timer	3 - 6,5	1,5 - 2,5

Batteri		BDL1518*	BDL2018*	BDL2518*
Spennning	V_{DC}	18	18	18
Kapasitet	Ah	1,5	2,0	2,5
Type		Li-ion	Li-ion	Li-ion

Lydtryknivå i henhold til EN 62841:

Lydtrykk (L_{pA}) 92 dB(A), usikkerhet (K) 5 dB(A)

Lydeffekt (L_{WA}) 100 dB(A), usikkerhet (K) 5 dB(A)

Totale vibrasjonsverdier (triaks vektorsum) i samsvar med EN 62841:

Boring i betong ($a_{h,D}$) 16,8 m/s², usikkerhet (K) 1,5 m/s²

Boring i metall ($a_{h,D}$) 2,3 m/s², usikkerhet (K) 1,5 m/s²

EU-samsvarserklæring

MASKINDIREKTIVET



BLD683 - Slagboremaskin

Black & Decker erklærer at disse produktene beskrevet under "teknisk data" er i samsvar med:

2006/42/EC, EN 62841-1:2015+A11:2022, EN 62841-2-1:2018+A11:2019+A1:2022+A12:2022.

Disse produktene samsvarer også med direktiv 2014/30/EU og 2011/65/EU. For mer informasjon, kontakt Black & Decker på følgende adresse eller se bakerst i bruksanvisningen. Undertegnede er ansvarlig for utarbeidelsen av den tekniske dokumentasjonen og gir denne erklæringen på vegne av Black & Decker.

Patrick Diepenbach

Patrick Diepenbach

General Manager, Benelux BLACK +DECKER, Richard-Klinger-Strasse 11, 65510 Idstein, Tyskland
05. oktober 2024

Garanti

Black & Decker er sikker på kvaliteten på sine produkter og tilbyr sine kunder en 24 måneders garanti fra kjøpsdato.

Denne garantierklæringen kommer i tillegg til dine lovbestemte rettigheter og er ikke i konflikt med disse.

Garantien er gyldig innen områdene tilhørende medlemslandene i den Europeiske Union (EU), det Europeiske Frihandelsområdet (EFTA) og i Storbritannia.

For å ta garantien i bruk må kravet være i samsvar med kjøpsbetingelsene fra Black&Decker og du må vise kjøpskvittering til forhandleren eller til et autorisert serviceverksted.

Betingelser for Black & Decker 2 års garanti og hvor du finner din nærmeste autoriserte reparasjonstekniker kan du finne på www.2helpU.com, eller ved å kontakte ditt lokale Black & Decker kontor på adressen i denne bruksanvisningen.

Besøk våre nettsider på www.blackanddecker.no for å registrere ditt nye Black & Decker-produkt og for å få informasjon om nye produkter og spesialtilbud.

Tilsigtet anvendelse

Din BLACK+DECKER BLD683 slagbøremaskine er blevet udformet til skruoopgaver og til boring i træ, metal, plastik og murværk. Værktøjet er kun beregnet til privat brug.

Sikkerhedsvejledning

Generelle sikkerhedsadvarsler for elværktøj



Advarsel! Læs alle sikkerhedsadvarsler, instruktioner, illustrationer og specifikationer leveret med dette elværktøj. Manglende overholdelse af de advarsler og instruktioner, der er anført nedenfor, kan medføre elektrisk stød, brand og/eller alvorlig personskade.

Gem alle advarsler og instruktioner

for fremtidig reference. Ordet "elværktøj" i advarselne refererer til dit elektroniske (ledning) eller batteribetjente (trådløse) elværktøj.

1. Sikkerhed i arbejdsområdet

- Hold arbejdsområdet rent og godt belyst.** Rodede eller mørke områder giver anledning til ulykker.
- Brug ikke elværktøj i eksplosive omgivelser, f.eks. hvor der er brændbare væsker, gasser eller støv.** Elektrisk værktøj danner gnister, som kan antænde støv eller dampe.
- Hold børn og andre personer i nærheden på afstand, når der arbejdes med elværktøj.** Distractioner kan få dig til at miste kontrol.

2. Elektricitet og sikkerhed

- Elværktøjsstik skal passe til stikkontakten. Stikket må på ingen måde modificeres. Brug ikke adapterstik med jordforbundne (tilsluttede) elværktøjer.** Ikke-modificerede stik og tilsvarende stikkontakter reducerer risikoen for stød.
- Undgå kropskontakt med jordforbundne overflader såsom rør, radiatorer, komfurer og køleskabe.** Der er en forøget risiko for elektrisk stød, hvis din krop får jordforbindelse.
- Elværktøjer må ikke udsættes for regn eller fugt.** Hvis der trænger vand ind i et elektrisk værktøj, øges risikoen for elektrisk stød.
- Pas på, at ledningen ikke beskadiges.** Ledningen må aldrig bruges til at bære, trække eller frakoble elværktøjet. Hold ledningen væk fra varme, olie, skarpe kanter eller dele i bevægelse. Beskadigede eller sammenflettede ledninger øger risikoen for stød.
- Hvis elværktøj benyttes i det fri, skal der benyttes en forlængerledning, som er godkendt til udendørs brug.**

Ved brug af en ledning, der er velegnet til udendørs brug, reduceres risikoen for elektrisk stød.

f. Brug en strømkilde med fejlstrømsrelæ, hvis det er nødvendigt at anvende elværktøj på fugtige steder.

Ved at benytte en fejlstrømsafbryder reduceres risikoen for elektrisk stød.

3. Personikkerhed

- Vær opmærksom, hold øje med, hvad du laver og brug elværktøjet fornuftigt. Betjen ikke værktøjet, hvis du er træt, påvirket af narkotika, alkohol eller medicin.** Et øjeblik uopmærksomhed under betjening af elværktøj kan forårsage alvorlige personskader.
 - Brug altid personligt beskyttelsesudstyr.** Brug af personligt beskyttelsesudstyr som f.eks. øjenbeskyttelse, støvmaske, skridsikkert fodtøj, beskyttelseshjelm og/eller høreværn nedsætter risikoen for personskader, hvis udstyret anvendes korrekt.
 - Træf forholdsregler, så utilsigtet start ikke er mulig. Sørg for, at kontakten er i sluk-position, inden du tilslutter strømkilden og/eller batteripakken, tager værktøjet op eller bærer det.** Hvis du bærer elværktøj med din finger på kontakten eller strømfører elværktøj, der har kontakten tændt, kan der nemt ske ulykker.
 - Fjern indstillingsnøgle eller skruenøgle, inden elværktøjet startes.** En skruenøgle eller anden nøgle, der bliver siddende på en roterende del af elektrisk værktøj, kan give anledning til personskade.
 - Ræk ikke for langt. Bevar altid et godt fodfæste og en god balance.** Dette gør, at du har bedre kontrol over det elektriske værktøj, når uventede situationer opstår.
 - Klæd dig ordentligt på. Bær ikke løst tøj eller smykker. Hold hår, tøj og handsker væk fra dele i bevægelse.** Løstsiddende tøj, smykker eller langt hår kan blive fanget i bevægelige dele.
 - Hvis der kan monteres støvudsugnings- og opsamlingsudstyr, skal dette tilsluttes og benyttes korrekt.** Brug af støvopsamling kan reducere støvrelaterede farer.
 - Lad ikke kendskab opnået gennem hyppig brug af værktøjer lade dig blive for tilbagelænet og ignorere principper for værktøjsikkerhed.** En uforsigtig handling kan forårsage alvorlig personskade på en brøkdæl af et sekund.
- #### 4. Brug og vedligeholdelse af elværktøj
- Overbelast ikke elværktøjet. Brug det korrekte elværktøj til dit arbejde.** Det korrekte elværktøj klarer opgaven bedre og mere sikkert med den effekt, som det er konstrueret til.
 - Brug ikke elværktøjet, hvis tænd/sluk-kontakten er defekt.** Alt elektrisk værktøj, der ikke kan kontrolleres med tænd/sluk-kontakten, er farligt og skal repareres.

- c. **Tag batteripakken ud af elværktøjet, hvis den kan fjernes, og/eller aktiver en eventuel enhed til deaktivering af batteriet, før du fjerner fastklemt materiale, foretager justeringer, skifter tilbehør, rengør eller opbevarer elværktøjer.** Sådanne forebyggende sikkerhedsforanstaltninger mindsker risikoen for, at værktøjet startes utilsigtet.
- d. **Opbevar ubenyttet elværktøj uden for børns rækkevidde. Lad aldrig personer, der ikke er fortrolige med elværktøjet, eller som ikke har læst denne vejledning, benytte maskinen.** El-værktøj er farligt i hænderne på personer, som ikke er instrueret i brugen deraf.
- e. **Vedligehold elværktøj og tilbehør. Kontroller, om bevægelige dele er skæve og ikke sidder fast, og om delene er brækket eller beskadiget, så elværktøjets funktion påvirkes.** Hvis det beskadiges, skal elværktøjet repareres inden brug. Mange ulykker skyldes dårligt vedligeholdte elværktøjer.
- f. **Hold skæreværktøjer skarpe og rene.** Ordentligt vedligeholdt skæreværktøj med skarpe skærekanter har mindre tilbøjelighed til at binde og er lettere at styre.
- g. **Brug elværktøjet, tilbehøret, værktøjsindsatser osv. i overensstemmelse med disse instruktioner under hensyntagen til arbejdsforholdene og arbejdet, der skal udføres med værktøjet.** Brug af elektrisk værktøj til andre opgaver end dem, det er beregnet til, kan resultere i en farlig situation.
- h. **Værktøjet må ikke modificeres.** Modifikationer kan forringe sikkerhedsforanstaltningernes effektivitet og forøge faren for operatør og/eller personer i omgivelserne.
- i. **Hold håndtagene og håndtagsfladerne tørre, rene og fri for olie og fedt.** Glatte håndtag og gribeplader kan føre til usikker håndtering og/eller tab af kontrol over værktøjet.
- j. **Hold slanger og elkabler væk fra værktøjets arbejdsområde.** Under brug kan slanger og elkabler være skjult og kan ved et uheld blive beskadiget af værktøjet.
5. **Brug og pleje af batteriværktøj**
- a. **Genoplad kun med den oplader, som producenten har angivet.** En oplader, der passer til én type batteripakke, kan udgøre en risiko for brand, når den bruges til en anden type.
- b. **Elværktøj må kun bruges med batteripakker, der er beregnet hertil.** Brugen af andre batteripakker kan medføre personskaade og brand.
- c. **Når batteripakken ikke er i brug, skal den holdes på afstand af andre metalgenstande, f.eks. papirclips, mønter, nøgler, søm, skruer og andre små metalgenstande, som kan skabe forbindelse mellem de to poler.** Kortslutning af batteriet kan forårsage forbrændinger eller brand.
- d. **Under grove forhold kan væske sive ud fra batteriet; undgå kontakt.** Hvis der utilsigtet opstår kontakt, skal der skylles med vand. Hvis væske kommer ind i øjnene, søg omgående lægehjælp. Væske, der siver ud fra batteriet, kan fremkalde irritationer eller forbrændinger.
- e. **Anvend ikke en batteripakke eller et værktøj, der er beskadiget eller ændret.** Beskadigede eller ændrede batterier kan udvise uforudsigelig adfærd og resultere i brand, eksplosion eller risiko for skader.
- f. **Udsæt ikke en batteripakke eller et værktøj for ild eller meget varme temperaturer.** Udsættelse for ild eller temperaturer over 130 °C kan medføre en eksplosion. BEMÆRK: Temperaturen „130 °C“ kan erstattes af temperaturen „265 °F“.
- g. **Følg alle opladningsinstruktionerne og oplad ikke batteripakken eller værktøjet uden for det temperaturområde, der er anført i instruktionerne.** Forkert opladning eller opladning ved temperaturer uden for det specificerede område kan beskadige batteriet og øge risikoen for brand.
- h. **Nedsænk aldrig værktøjet eller batteripakken i vand.** Nedsænkning i vand øger risikoen for overophedning, brand og/eller eksplosion, hvilket kan resultere i personskaade og ejendomsskaade.
- i. **Udsæt aldrig værktøjet eller batteripakken for ætsende eller ledende væsker, f.eks. havvand, industrikemikalier, blegemiddel eller produkter, der indeholder blegemiddel osv.** Indtrængning af ætsende eller ledende væsker øger risikoen for overophedning, brand og/eller eksplosion, hvilket kan resultere i personskaade og ejendomsskaade.
6. **Service**
- a. **Lad kun fagkyndige personer reparere elværktøjet og benyt kun originale reservedele.** Derved sikres det, at værktøjets driftssikkerhed opretholdes.
- b. **Udfør aldrig service på beskadigede batteripakker.** Service på batteripakker bør kun udføres af producenten eller autoriserede serviceudbydere.
- Sikkerhedsinstruktioner til al brug**
- ◆ **Bær høreværn når du arbejder med slagboring.** Eksponering for støj kan forårsage høretab.
 - ◆ **Støt værktøjet korrekt inden brug.** Dette værktøj producerer et højt udgangsmoment, og uden korrekt støtte af værktøjet under drift kan der forekomme tab af kontrol, hvilket resulterer i personskaade.
 - ◆ **Hold kun fast i det elektriske værktøj på de isolerede håndtagsflader under udførelse af arbejdet, hvor skæreværktøjet kan berøre skjulte ledninger.** Kommer skæreværktøjet i kontakt med en strømførende ledning, kan blotlagte metaldele på el-værktøjet gøres strømførende og give stød til brugeren.

Sikkerhedsinstruktioner ved brug af lange borehoveder

- ◆ **Arbejd aldrig ved højere hastighed end borehovedets nominelle maks. hastighed.** Ved højere hastigheder vil boret sandsynligvis blive bøjet, hvis det roterer frit uden at komme i kontakt med arbejdsemnet, hvilket resulterer i personskade.
- ◆ **Begynd altid at bore ved lav hastighed, og med borspidsen i kontakt med arbejdsemnet.** Ved højere hastigheder vil boret sandsynligvis blive bøjet, hvis det roterer frit uden at komme i kontakt med arbejdsemnet, hvilket resulterer i personskade.
- ◆ **Påfør kun tryk i direkte linje med boret, og påfør ikke for meget tryk.** Bor kan bøje, hvilket forårsager ødelæggelse eller tab af kontrol, som kan resultere i personskade.

Ekstra sikkerhedsadvarsler for bor/skruetrækker/ slagsboremaskine

- ◆ **Brug klemmer eller en anden praktisk måde på at sikre og understøtte arbejdsemnet til et stabilt underlag.** Hvis du holder fast i arbejdsemnet med din hånd eller krop, vil det være ustabil, og det kan medføre, at du mister kontrollen over det.
- ◆ **Tilbehør og værktøj kan blive varme under drift.** Bær handsker under arbejde med dem, hvis du udfører varmfremkaldende opgaver som fx boring af metaller.
- ◆ **Luftaftræk dækker ofte over bevægelige dele og bør undgås.** Løst tøj, smykker eller langt hår kan blive fanget af de bevægelige dele.
- ◆ **Bær sikkerhedsbriller eller anden beskyttelse af øjnene.** Hammer- og borefunktioner kan medføre flyvende splinter. Flyvende partikler kan forårsage permanente øjenskader.
- ◆ **Bær høreværn når du arbejder med slagboring.** Eksposering for støj kan forårsage høretab.
- ◆ **Anvend hjælpehåndtag, der leveres sammen med værktøjet.** Tab af kontrol kan forårsage personskade.
- ◆ **Brug ikke dette værktøj i længere tid ad gangen.** Vibrationer forårsaget af brug af værktøjet kan være skadelige for dine hænder og arme. Brug handsker til at give ekstra blødhed, og begræns eksposering ved at tage hyppige hvileperioder.

Yderligere sikkerhedsadvarsler for elværktøj



Advarsel! Yderligere sikkerhedsadvarsler for slagsboremaskiner

- ◆ **Brug hjælpehåndtag, der fulgte med værktøjet.** Tab af kontrol kan forårsage personskade.
- ◆ **Hold elværktøj i de isolerede gribeblader, når du udfører en opgave, hvor skæretilbehøret kan komme i kontakt med skjulte ledninger.**

Hvis skæretilbehør kommer i kontakt med en strømførende ledning, kan det gøre blottede metaldele på værktøjet strømførende, hvilket kan give operatøren et elektrisk stød.

- ◆ **Hold elværktøj i de isolerede gribeblader, når du udfører en opgave, hvor fastgørelseselementet kan komme i kontakt med skjulte ledninger.** Hvis fastgørelseselementer kommer i kontakt med en strømførende ledning, kan det gøre blottede metaldele på værktøjet strømførende, hvilket kan give operatøren et elektrisk stød.
- ◆ **Brug klampen eller en anden praktisk måde at sikre og støtte arbejdsemnet på en stabil platform.** Hvis du holder arbejdsemnet i hånden eller mod din krop, bliver det ustabil, hvilket kan føre til tab af kontrol.
- ◆ **Inden du borer i vægge, gulve eller lofter, skal du se efter placeringen af ledninger og rør.**
- ◆ **Undgå at berøre spidsen af et borehoved lige efter at have boret, da det kan være meget varmt.**
- ◆ **Den beregnede brug er beskrevet i denne brugsvejledning.** Hvis du bruger tilbehør eller udfører handlinger med dette værktøj, der ikke anbefales i denne brugsvejledning, kan det udgøre en risiko for personskade og/eller beskadigelse af ejendom.

Andres sikkerhed

- ◆ Dette værktøj må ikke bruges af personer (herunder børn) med nedsatte fysiske, sensoriske eller mentale evner eller manglende erfaring og viden, medmindre de er under opsyn eller er blevet instrueret i brug af værktøjet af en person, der er ansvarlig for deres sikkerhed.
- ◆ Børn skal holdes under opsyn, så det sikres, at de ikke leger med værktøjet.

Residualrisici

Yderligere residualrisici kan opstå, når værktøjet bruges, hvilket muligvis ikke er inkluderet i de medfølgende sikkerhedsadvarsler. Disse risici kan opstå i forbindelse med misbrug, længerevarende brug osv. Selv med anvendelsen af de relevante sikkerhedsbestemmelser og implementeringen af sikkerhedsanordninger kan visse residualrisici ikke undgås. Disse omfatter:

- ◆ Tilskadekomst forårsaget af berøring af roterende/ bevægelige dele.
- ◆ Personskader forårsaget ved udskiftning af dele, klinger eller tilbehør.
- ◆ Tilskadekomst forårsaget af langvarig brug af et apparat. Husk at holde pause jævnlige ved brug af et apparat i længere tid.
- ◆ Nedsat hørelse.

- ◆ Sundhedsfarer forårsaget af indånding af støv, der udvikles under brug af dit værktøj (f.eks.: arbejde med træ, især eg, bøg og MDF.)

Støj og vibration

De angivne værdier for udsendelse af støj og vibration opført under de tekniske data og overensstemmelseserklæringen er målt i henhold til standardtestmetoden anført i EN 62841 og kan bruges til at sammenligne ét værktøj med et andet. Den angivne værdi for udsendelse af støj og vibration kan også bruges i forbindelse med en foreløbig vurdering af eksponeringen.

Advarsel! Værdien for udsendelse af støj og vibration i forbindelse med den faktiske anvendelse af elværktøjet kan afvige fra den angivne værdi afhængig af metoden, hvormed værktøjet anvendes. Vibrationsniveauet kan overstige det angivne niveau.

I vurderingen af eksponeringen for vibration med henblik på fastsættelse af sikkerhedsforanstaltninger som krævet i 2002/44/EF til beskyttelse af personer, der jævnligt anvender elværktøj i deres arbejde, skal der tages hensyn til de faktiske betingelser under brugen, og måden værktøjet bruges på, herunder alle arbejdsrytters afsnit, f.eks. perioder, hvor værktøjet er slukket, og hvor det kører i tomgang, tillige med startperioderne.

Mærkatet på værktøjet

De følgende symboler vises på værktøjet ud over datokoden:



Advarsel! Brugeren skal læse brugervejledningen for at reducere risikoen for kvæstelser.



Kig ikke ind i lampen, når den er tændt

Yderligere sikkerhedsvejledninger for batterier og ladere

Batterier

- ◆ Forsøg aldrig at åbne den af en eller anden grund.
- ◆ Batteriet må ikke udsættes for fugt.
- ◆ Opbevar ikke batterier på steder, hvor temperaturen kan overstige 40 °C.
- ◆ Foretag kun opladning ved omgivelsestemperaturer mellem 10 °C og 40 °C.
- ◆ Oplad kun ved hjælp af den medfølgende lader.
- ◆ Følg ved bortskaffelse af batterier vejledningen i afsnittet "Miljøbeskyttelse".



Forsøg ikke at oplade beskadigede batterier.

- ◆ Undgå at beskadige/deformere batteripakken ved at punktere den eller slå på den, da dette kan forårsage risiko for tilskadekomst eller brand.
- ◆ Under ekstreme forhold kan der forekomme batterilækage. Hvis du bemærker væske på batterierne, skal du omhyggeligt tørre den af med en klud. Undgå kontakt med huden.
- ◆ I tilfælde af kontakt med hud eller øjne, skal du følge nedenstående anvisninger.

Advarsel! Batterivæsken kan forårsage personskade eller materielle skader. I tilfælde af kontakt med huden skylles straks med vand. Søg læge, hvis der opstår rødme, smerte eller irritation. Skyl straks med rent vand, og søg læge i tilfælde af kontakt med øjnene.

Opladere

Opladeren er udviklet til en specifik spænding. Kontroller altid, at netspændingen svarer til spændingen på typeskiltet.

Advarsel! Forsøg aldrig at udskifte opladerenheden med et almindeligt netstik.

- ◆ Brug kun din BLACK+DECKER-oplader til at oplade batteriet, der fulgte med værktøjet. Andre batterier kan eksplodere og forårsage kvæstelser og materielle skader.
- ◆ Forsøg aldrig at oplade ikke-genopladelige batterier.
- ◆ Hvis netledningen beskadiges, skal den udskiftes af producenten eller et autoriseret værksted, så farlige situationer undgås.
- ◆ Udskift straks defekte ledninger.
- ◆ Opladeren må ikke udsættes for fugt.
- ◆ Opladeren må ikke åbnes.
- ◆ Undersøg ikke opladeren.
- ◆ Apparatet/værktøjet/batteriet skal anbringes et sted med god udluftning, når det oplades.



Opladeren er kun beregnet til indendørs brug.



Læs brugervejledningen, før værktøjet tages i brug.

Elektricitet og sikkerhed



Opladeren er dobbelt isoleret. Derfor er en jordledning ikke nødvendig. Kontroller altid, at netspændingen svarer til spændingen på typeskiltet. Forsøg aldrig at udskifte opladerenheden med et almindeligt netstik.

- ◆ Hvis netledningen beskadiges, skal den udskiftes af producenten eller et autoriseret BLACK+DECKER-værksted, så farlige situationer undgås.

Funktioner

På dette værktøj findes nogle eller alle af følgende funktioner.

1. Variabel hastighedskontakt
2. Skyder til skift af retning
3. Drejemomentjusteringsring
4. Nøglefri borepatron
5. Gearvælger
6. LED-arbejdslys
7. Bæltækrog (tilgængelig med alle enheder)
8. Batteri
9. Batteriudløserknop

Montering

Brug

Advarsel! Lad værktøjet arbejde i sit eget tempo. Overbelast det ikke.

Opladning af batteriet (fig. A1, A2)

Batteriet skal oplades inden første brug, og hver gang det ikke kan producere tilstrækkelig strøm til opgaver, der nemt kunne udføres før. Batteriet kan blive varmt under opladning; dette er normalt og er ikke et tegn på et problem.

Advarsel! Oplad ikke batteriet ved omgivende temperaturer på under 10 °C eller over 40 °C. Den anbefalede opladningstemperatur er ca. 24 °C.

Bemærk: Opladeren kan ikke oplade et batteri, hvis celledtemperaturen er under ca. 10 °C eller over 40 °C. Batteriet bør blive siddende i laderen, som automatisk begynder opladningen, når batteriet opvarmes/afkøles.

- ◆ Slut opladeren (10) til en almindelig stikkontakt på 230 volt og 50 Hz.
- ◆ Indsæt batteripakken (8) i opladeren som vist i fig. A1, A2. LED-lampen (10a) blinker for at indikere, at batteriet bliver opladet.

Når opladningen er færdig, indikeres det af LED-lampen (10a), som vil lyse konstant. Batteripakken er fuldt opladet og kan nu anvendes eller kan efterlades i opladeren.

Advarsel! Brandfare. Når batteriet fjernes fra opladeren, skal du sørge for først at trække opladeren ud af stikkontakten og derefter tage batteriet ud af opladeren.

Opladerdiagnostik

Denne oplader er udviklet til at registrere visse problemer, der kan opstå med batteripakker eller strømkilden. Problemerne angives med et LED blink i forskellige mønstre.

Dårligt batteri

Opladeren kan detektere et svagt eller beskadiget batteri. LED-lampen blinker i det mønster, der indikeres på mærket.

Hvis du ser dette blinkmønster for dårligt batteri, skal du lade være med at fortsætte batteriopladningen. Returnér det til et servicecenter eller til et indsamlingssted til genbrug.

Varm/kold pakkeforsinkelse

Når opladeren registrerer et batteri, der er alt for varmt eller koldt, starter den automatisk en varm/kold pakkeforsinkelse og suspenderer opladningen, indtil batteriet er blevet normaliseret. Efter dette sker, skifter opladeren automatisk til pakkeopladningstilstand. Denne funktion sikrer maksimal batterilevetid. Lampen blinker i det mønster, der indikeres på mærket.

Efterladelse af batteriet i opladeren

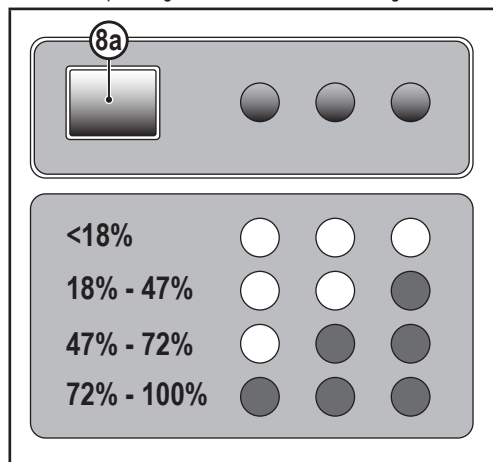
Batteripakken kan uden problemer forblive i opladeren, selvom LED lyser konstant. Opladeren holder batteripakken klar og fuldt opladet.

Vigtige bemærkninger om opladning

- ◆ Den længste levetid og bedste ydeevne kan opnås, hvis batteripakken oplades, når lufttemperaturen ligger mellem 18-24 °C. Oplad IKKE batteripakken ved en lufttemperatur under +4,5 °C eller over +40 °C. Dette er vigtigt og vil forhindre alvorlig beskadigelse af batteripakken.
- ◆ Opladeren og batteripakken kan blive varme at røre under opladning. Dette er normalt og betyder ikke, at der er et problem. For at lette køling af batteripakken efter brug, undgå at placere opladeren eller batteripakken i varme omgivelser, som f.eks. i et metalskur eller i en uisoleret trailer.
- ◆ Hvis batteripakken ikke oplades ordentligt:
 - ◆ Kontrollér stikkontaktens drift ved at tilslutte en lampe eller et andet apparat;
 - ◆ Se efter, om stikket er sat i en stikkontakt, der afbryder strømmen, når du slukker lyset;
 - ◆ Flyt opladeren og batteripakken til et sted, hvor den omgivende lufttemperatur er ca. 18 ° - 24 °C;
 - ◆ Hvis der stadig forekommer opladningsproblemer, skal du bringe værktøjet, batteripakken og opladeren hen til dit lokale servicecenter.
- ◆ Batteripakken skal genoplades, når den ikke giver tilstrækkelig strøm til de opgaver, som tidligere let blev udført. FORTSÆT IKKE med at bruge den under disse forhold. Følg opladningsproceduren. Du kan også oplade en delvist brugt pakke, når du ønsker det uden nogen negativ indflydelse på batteripakken.
- ◆ Fremmede materialer af en ledende art som for eksempel, men ikke begrænset til slibestøv, metalspånere, ståluld, aluminiumsfolie eller anden koncentration af metalliske partikler skal holdes på afstand af opladerens huller. Tag stikket til opladeren ud før forsøg på at rengøre den.
- ◆ Frys ikke eller nedsænk opladeren i vand eller andre væsker.

Batteriets ladeindikator (fig. B)

Batteriet indeholder en ladetilstandsindikator for hurtigt at afgøre batterilevetidens omfang, som vist i figur B. Hvis du trykker på ladetilstandsknappen (8a), kan du nemt se den resterende opladning i batteriet, som illustreret i figur B.



Isætning og udtagning af batteripakken fra værktøjet (fig. C)

Advarsel! Sørg for, at spærreknappen (2) er aktiveret for at forhindre kontakttaktivering, inden du udtager eller isætter batteriet.

Sådan isættes batteripakken:

- ◆ Indsæt batteripakken (8) i værktøjet, indtil der høres et klik (fig. C)

Udtagning af batteripakken fra værktøjet (fig. C)

- ◆ Hold batteriudløserknappen (9) nede, som vist i (fig. C), og træk batteripakken ud af værktøjet.

Bæltekrog (fig. D, E)

Advarsel! For at reducere risikoen for alvorlige kvæstelser, anbring forlæns-/baglænsknappen i startspærreposition eller slå værktøjet fra og frakobl batteripakken, før der foretages nogen justeringer, eller der af-/påmonteres tilbehør eller ekstraudstyr. Start ved et uheld kan medføre personskade.

Advarsel! For at reducere risikoen for alvorlig personskade må du KUN bruge værktøjets bæltekrog (7) til at hænge værktøjet fra et arbejdsbælte. Brug IKKE bæltekrogen (7) til tøjring eller fastgørelse af værktøjet på en person eller genstand under brug. Hæng IKKE værktøjet ovenover, og hæng IKKE genstande fra bæltekrogen.

Advarsel! For at mindske risikoen for alvorlige personskader skal du sikre, at skruen (11), der holder bæltekrogen, er fastskruet.

Bemærk: Ved fastgørelse eller udskiftning af bæltekrogen (7) må kun den medfølgende skrue (11) anvendes. Sørg for at spænde skruen godt.

Bæltekrogen (7) kan monteres ved at skubbe den ind i åbningerne (13) på begge sider af værktøjet med den medfølgende skrue (11), så både venstre- og højrehåndede kan bruge den. Hvis krogen slet ikke skal bruges, kan den fjernes fra værktøjet.

Du kan fjerne bæltekrogen ved at fjerne skruen (11), der holder bæltekrogen (7) på plads, og montere den igen på den anden side. Sørg for at spænde skruen (11) godt.

Driftsinstruktioner

Udløserknop og tilbage-knop (fig. F)

- ◆ Boremaskinen tændes og slukkes ved at trække og slippe udløserknappen (1). Jo længere kontakten er trykket ned, jo højere vil boret's hastighed være.
- ◆ En retningsskifterknop (2) bestemmer værktøjets arbejdsretning og fungerer også som låseknap.
- ◆ Du vælger fremadgående rotation ved at slippe udløserkontakten og skubbe retningsskifterknappen til venstre.
- ◆ Du vælger omvendt retning ved at skubbe retningsskifterknappen til den anden side.

Bemærk: Midterpositionen på styreknapen låser værktøjet i off position. Når positionen på styreknapen ændres, sørg da for at udløseren er udløst.

Momentkontrol (fig. G)

Dette værktøj er udstyret med en momentjusteringskrave (3) for at vælge driftstilstanden og indstille momentet til spænding af skruer. Store skruer og hårde arbejdsstykkematerialer kræver en højere momentindstilling end små skruer og hårde arbejdsstykkematerialer.

- ◆ Ved boring i træ, metal og plastic skal ringen indstilles på boresymbolet.
- ◆ For at bore i let murværk skal du indstille kraven til symbolet for hammerborepositionen.
- ◆ Ved skrueopgaver skal ringen indstilles på den ønskede position. Gå frem på følgende måde, hvis du er usikker på den rigtige position:
 - ◆ Indstil ringen på den laveste momentposition.
 - ◆ Skru den første skrue i.
 - ◆ Hvis det ønskede resultat ikke opnås, skal du øge ringens indstilling og fortsætte med at skrue skruen i. Gentag, indtil du når den korrekte indstilling. Brug denne indstilling til de andre skruer.

Nøglefri borepatron (fig. H)

Advarsel! Sørg for, at spærreknappen (2) er aktiveret for at forhindre kontakttaktivering, inden du installerer eller fjerner tilbehør.

Sådan isættes et borehoved eller et andet tilbehør:

- ◆ Tag fat i værktøjet med den ene hånd, og brug den anden hånd til at rotere borepatronen (4) mod urets retning, set fra borepatronens ende.
- ◆ Sæt boret eller andet tilbehør helt ind i patronen og fastgør den godt ved at dreje patronen med uret som set fra enden af patronen.

Advarsel! Forsøg ikke at stramme borehoveder (eller andet tilbehør) ved at gribe fat i den forreste del af patronen og dreje værktøjet. Beskadigelser af borepatronen og personskafe kan opstå ved udskiftning af tilbehør.

Gearing med dobbelt område (figur 1)

Funktionen med dobbelt område i din boremaskine gør det muligt at skifte gear for større alsidighed. For at vælge lav hastighed, høj momentindstilling (position 1), skal du slukke for værktøjet og lade det stoppe. Skub gearskifterknappen (5) væk fra borepatronen. For at vælge høj hastighed, lav momentindstilling (position 2), skal du slukke for værktøjet og lade det stoppe.

Skub gearskifterknappen mod borepatronen.

Bemærk: Skift ikke gear, når værktøjet kører. Hvis du har problemer med at skifte gear, skal du sørge for, at knapperne til dobbelt område enten er trykket helt ind eller ud.

Boring/skruing

- ◆ Vælg fortlæns eller baglæns omløb vha. skyderen til skift af retning (2).
- ◆ Tænd for værktøjet ved at trykke på kontakten (1). Værktøjets hastighed afhænger af, hvor langt du trykker kontakten ind.
- ◆ Sluk for værktøjet ved at slippe kontakten.

Tips til optimal brug

Boring

- ◆ Brug kun skarpe borehoveder.
- ◆ Understøt og sikr arbejdet korrekt som instrueret i sikkerhedsinstruktionerne.
- ◆ Brug passende og nødvendigt sikkerhedsudstyr, som instrueret i sikkerhedsinstruktionerne.
- ◆ Kontrollér og oprethold arbejdsområdet som instrueret i sikkerhedsinstruktionerne.
- ◆ Kør boret meget langsomt ved hjælp af et let tryk, indtil hullet startes tilstrækkeligt til at holde boret fra at glide ud af det.
- ◆ Øg trykket i lige linje med boret. Tryk tilstrækkeligt til, at boret stadig arbejder, men ikke så meget, at motoren bremses eller boret afbøjes.
- ◆ Hold godt fast i boremaskinen med begge hænder for at modvirke vriddet i den.
- ◆ **KLIK IKKE PÅ UDLØSEREN PÅ ET STOPPET BOR TIL OG FRA I ET FORSØG PÅ AT STARTE DET. DET KAN RESULTERE I BESKADIGELSE AF BOREMASKINEN.**

- ◆ Minimér motorstop ved gennembrud ved at reducere trykket og bor langsomt gennem den sidste del af hullet.
- ◆ Lad motoren køre, mens du trækker boret ud af et borehul. Det mindsker risikoen for, at det sidder fast.
- ◆ Kontrollér at kontakten slår boret til og fra.

Boring i træ

Huller i træ kan laves med de samme snoede borehovedet, der bruges til metal, eller med spadeborehoveder. Disse borehoveder bør være skarpe og skal trækkes ud jævnlige, når der bores til klare spåner fra sporene.

Boring i metal

Brug et skæresmøremiddel, når du borer i metaller. Undtagelserne er ved støbejern og messing, som skal bores tørt. Det skæresmøremiddel, der virker bedst, er svovholdigt skæreolie eller lardolie.

Boring i murværk

Til boring i murværk sættes ringen (3) på hammerborepositionen ved at placere symbolet ud for markeringen. Skub hastighedsvælgeren (5) mod værktøjets forende (2. gear).

Skruing

- ◆ Brug altid den rette type og størrelse skruetrækkerbit.
- ◆ Prøv at smøre lidt opvaskemiddel eller sæbe på skruen, hvis den er vanskelig at spænde.
- ◆ Hold altid værktøjet og skruerbittene i lige linje med skruen

Problemløsning

Problem	Mulig årsag	Mulig løsning
Enhed starter ikke.	Batteripakke ikke opladet.	Kontroller kravene til opladning af batteriet
Batteriet kan ikke oplades.	Opladeren er ikke tilsluttet. Omgivende lufttemperatur for varm eller for kold.	Slut opladeren til en fungerende stikkontakt. Flyt opladeren og batteripakken til en omgivende lufttemperatur på over 4,5° C (40 grader F) eller under +40,5° C (105 grader F)
Enheden slukker brat.	Batteripakken har nået sin maksimale termiske grænse. Ude af opladning. (For at maksimere batteripakkens levetid er den designet til brat at slukke, når opladningen er opbrugt)	Lad batteripakken køle ned. Anbring den på opladeren og lad den lade op.

Vedligeholdelse

Dit BLACK+DECKER-værktøj er beregnet til brug gennem lang tid med et minimum af vedligeholdelse. Kontinuerlig tilfredsstillende drift afhænger af korrekt værktøjspleje og regelmæssig rengøring.

Din oplader kræver ingen vedligeholdelse ud over regelmæssig rengøring.

Advarsel! Tag batteriet ud af værktøjet, inden der foretages vedligeholdelse på værktøjet. Tag opladeren ud af stikket, før du rengør det.

- ◆ Rens jævnlgt værktøjets og laderens ventilationshuller med en blød børste eller en tør klud.
- ◆ Rengør med jævne mellemrum motorhuset med en fugtig klud. Brug ikke et slibende eller opløsningsbaseret rengøringsmiddel.
- ◆ Åbn jævnlgt patronen, og bank på den for at fjerne støv indvendigt.

Miljøbeskyttelse



Særskilt indsamling af affald. Produkter og batterier markeret med dette symbol må ikke bortskaffes sammen med normalt husholdningsaffald.

Produkter og batterier indeholder materialer, der kan genindvindes eller genanvendes, hvilket reducerer efterspørgslen efter råvarer. Du bedes genbruge elektriske produkter og batterier i overensstemmelse med lokale bestemmelser. Yderligere informationer findes på www.2helpU.com

Tekniske data

BLD683 Type 1		
Spænding	V_{DC}	18
Omdrejningsstal ved ingen belastning	Min^{-1}	0 - 450 / 0 - 1800
Maks. moment	Nm	50
Borepatronkapacitet	mm	2-13
Maks. borekapacitet Stål/træ/murværk	mm	13/30/10
Vægt	kg	1,1 kg (uden batteri)

Oplader		905902**	N517390
Indgangsspænding	V_{AC}	230	230
Udgangsspænding	V_{DC}	18	18
Strøm	mA	400	1000
Ladetid ca.	Timer	3 - 6,5	1,5 - 2,5

Batteri		BDL1518*	BDL2018*	BDL2518*
Spænding	V_{DC}	18	18	18
Kapacitet	Ah	1,5	2,0	2,5
Type		Li-Ion	Li-Ion	Li-Ion

Lydtrykniveau i henhold til EN 62841:	
Lydtryk (L_{pA})	92 dB(A), usikkerhed (K) 5 dB(A)
Lydeffekt (L_{WA})	100 dB(A), usikkerhed (K) 5 dB(A)

Samlede vibrationsværdier (triax vektor-sum) ifølge EN 62841:

Boring i beton ($a_{h,10}$) 16,8 m/s², usikkerhed (K) 1,5 m/s²

Boring i metal ($a_{h,10}$) 2,3 m/s², usikkerhed (K) 1,5 m/s²

EF-overensstemmelseserklæring

MASKINDIREKTIV



BLD683 - slagboremaskine

Black & Decker erklærer, at produkterne beskrevet under "tekniske data" er udformet i overensstemmelse med: 2006/42/EF, EN 62841-1:2015+A11:2022, EN 62841-2-1:2018+A11:2019+A1:2022+A12:2022.

Disse produkter er også i overensstemmelse med direktiv 2014/30/EU og 2011/65/EU. Kontakt Black & Decker på nedenstående adresse eller se vejledningens bagside for at få yderligere oplysninger.

Undertegnede er ansvarlig for udarbejdelsen af de tekniske data og fremsætter denne erklæring på vegne af Black & Decker.

Patrick Diepenbach

Patrick Diepenbach

General Manager, Benelux BLACK +DECKER, Richard-Klinger-Strasse 11, 65510 Idstein, Tyskland
5. oktober 2024

Garanti

Black & Decker er sikker på kvaliteten af sine produkter og giver forbrugerne en garanti på 24 måneder fra købsdatoen. Denne garanti er en tilføjelse til dine lovbestemte rettigheder. Garantien er gyldig inden for medlemsstaterne af Den Europæiske Union, Det Europæiske Frihandelsområde og Det Forenede Kongerige.

Når du gør krav på garantien, skal kravet være i overensstemmelse med Black & Decker vilkår og betingelser, og du skal indsende dokumentation for købet til sælgeren eller til en autoriseret reparatør.

Vilkår og betingelser for Black & Decker-garantien på 2 år og beliggenheden af din nærmeste autoriserede reparationsrepræsentant kan fås på internettet på adressen www.2helpU.com eller ved at kontakte dit lokale Black&Decker-kontor på adressen, der er angivet i denne vejledning.

Besøg venligst vores websted www.blackanddecker.eu for at registrere dit nye Black & Decker produkt og modtage opdateringer om nye produkter og specielle tilbud.

Käyttötarkoitus

BLACK+DECKER BLD683 -iskupora on tarkoitettu ruuvaussovelluksiin sekä puun, metallin, muovin ja kivimateriaalien poraamiseen. Tämä työkalu on tarkoitettu vain yksityiskäyttöön.

Turvallisuusohjeet

Sähkötyökaluja koskevat yleiset turvaohjeet



Varoitus! Lue kaikki tämän sähkötyökalun mukana toimitetut varoitukset, käyttöohjeet ja tekniset tiedot. Mikäli alla annettuja varoituksia ja ohjeita ei noudateta, seurauksena voi olla sähköisku, tulipalo ja/tai vakava henkilövahinko.

Säästä kaikki varoitukset ja ohjeet tulevaa käyttöä varten. Ohjeissa käytetty käsite "sähkötyökalu" tarkoittaa verkkokäyttöisiä sähkötyökaluja (verkkojohdolla varustettuja) ja akkukäyttöisiä sähkötyökaluja (ilman verkkojohtoa).

1. Työalueen turvallisuus

- Pidä työalue puhtaana ja hyvin valaistuna.**
Onnettomuuksia tapahtuu helpommin epäsiistissä tai huonosti valaistussa tilassa.
- Sähkötyökalua ei saa käyttää räjähdysalttiissa ympäristöissä, kuten syttyvien nesteiden, kaasun tai pölyn lähetyillä.** Sähkötyökaluista syntyy kipinöitä, jotka voivat sytyttää pölyn tai höyryt.
- Lapsia tai sivullisia ei saa päästää työalueelle sähkötyökalua käyttäessä.** Keskitymiskyvyn herpaantuminen voi aiheuttaa hallinnan menettämisen.

2. Sähköturvallisuus

- Sähkötyökalujen pistokkeiden on sovittava pistorasiaan.** Pistoketta ei saa koskaan muuttaa millään tavalla. Maadoitettujen sähkötyökalujen kanssa ei saa käyttää sovittinpistokkeita. Sähköiskun vaara on pienempi, kun pistokkeita ei ole muutettu mitenkään ja ne liitetään sopivaan pistorasiaan.
- Vältä koskettamasta maadoitettuihin pintoihin, kuten putkiin, lämpöpattereihin, liesiin ja jäähdyttimiin.** Sähköiskun vaara on suurempi, jos kehosi on maadoitettu.
- Sähkötyökaluja ei saa käyttää sateessa tai märissä olosuhteissa.** Sähkötyökaluun menevä vesi lisää sähköiskun vaaraa.
- Älä käsittele virtajohtoa kovakouraisesti. Älä kannata työkaluja sähköjohdosta tai vedä pistoketta pistorasiasta sähköjohdon avulla.** Suojaa johto lämmöltä, öljyltä, teräviltä reunoilta ja liikkuvilta osilta. Vaurioituneet tai kietoutuneet johdot lisäävät sähköiskun vaaraa.

- Kun sähkötyökalua käytetään ulkona, käytä ulkokäyttöön sopivaa jatkojohtoa.** Ulkokäyttöön tarkoitettun sähköjohdon käyttäminen vähentää sähköiskun vaaraa.
- Jos sähkötyökalua on välttämättä käytettävä kosteassa paikassa, käytä vikavirtasuojalla (RCD) suojattua virtälähdettä.** Tämä vähentää sähköiskun vaaraa.

3. Henkilöturvallisuus

- Ole valpas, keskity työhön ja käytä sähkötyökalua terveellä arkijärjellä. Älä käytä tätä sähkötyökalua ollessasi väsynyt tai alkoholin, huumeiden tai lääkkeiden vaikutuksen alaisena.** Keskitymisen herpaantuminen hetkeksikin sähkötyökalua käytettäessä voi aiheuttaa vakavan henkilövahingon.
- Käytä aina henkilökohtaisia suojarusteita.** Suojarusteet, kuten suojalasit, hengityssuojain, luistamattomat turvajalkineet, kypärä ja/tai kuulonsuojaimet, pienentävät loukkaantumiseriskiä, jos niitä käytetään tilanteen mukaan oikein.
- Vältä käynnistyminen vahingossa. Varmista, että kytkin on Off-asennossa ennen työkalun liittämistä virtälähteeseen ja/tai akkuun, työkalun nostamista tai kuljettamista.** Sähkötyökalun kantaminen sormi virtakytkimellä lisää onnettomuusvaaraa.
- Irrota mahdollinen säätö- tai kiintoavain ennen kuin käynnistät sähkötyökalun.** Sähkötyökalun pyöriivään osaan jäänyt säätöavain tai väännin voi aiheuttaa henkilövahingon.
- Älä kurkota. Varmista aina hyvä jalansija ja tasapaino.** Täten varmistat sähkötyökalun paremman hallinnan odottamattomissa tilanteissa.
- Pukeudu asianmukaisesti. Älä käytä löysiä vaatteita tai koruja. Pidä hiukset, vaatteet ja kädet loitolla liikkuvista osista.** Löysät vaatteet, korut tai pitkät hiukset voivat jäädä kiinni liikkuviin osiin.
- Jos laitteessa on liitántä pölynpoisto- tai pölynkeräysjärjestelmiä varten, varmista niiden oikeaoppinen liitántä ja käyttö.** Pölyn ottaminen talteen voi vähentää pölyn aiheuttamia vaaroja.
- Vaikka käyttäisit usein työkaluja ja sinulla olisi niistä hyvä tuntemus, älä jätä lukematta työkalun turvallisuusohjeita.** Epähuomioissa suoritettut toimenpiteet voivat johtaa vakaviin henkilövahinkoihin sekunnin murto-osassa.

4. Sähkötyökalujen käyttö ja hoito

- Älä kohdistaa sähkötyökaluun voimaa. Käytä käyttötarkoitukseen sopivaa sähkötyökalua.** Oikea sähkötyökalu suorittaa toimenpiteen paremmin ja turvallisemmin sen suunnitellulla käyttönopeudella.

- b. **Älä käytä sähkötyökälua, jos sen virtakytkin ei kytke virtaa päälle ja pois päältä.** Sähkötyökalut, joita ei voida hallita virtakytkimellä, ovat vaarallisia ja ne on korjattava.
- c. **Irrota akku sähkötyökäluusta, jos se on irrotettavissa, ja/tai aktivoi mikä tahansa akun poiskytkentälaitte, ennen kuin poistat juuttunutta materiaalia, teet säätöjä, vaihdat lisävarusteita, puhdistat tai varastoit sähkötyökäluja.** Nämä ennakoivat varoitoimenpiteet vähentävät sähkötyökäluun odottamatonta käynnistymisvaaraa.
- d. **Säilytä käyttämättömiä työkaluja lasten ulottumattomissa. Älä anna sellaisten henkilöiden käyttää sähkötyökälua, jotka eivät tunne sitä ja näitä käyttöohjeita.** Sähkötyökalut ovat vaarallisia kouluttamattomien henkilöiden käsissä.
- e. **Sähkötyökalut ja lisävarusteet vaivat ylläpitoa.** Tarkista liikkuvat osat virheellisen kohdistumisen tai kiinnijuttumisen sekä osien vaurioiden varalta ja muut olosuhteet, jotka voivat vaikuttaa sähkötyökäluun toimintaan. Jos havaitset vaurioita, korjauta sähkötyökälu ennen niiden käyttämistä. Huonosti kunnossapidetyt sähkötyökalut aiheuttavat onnettomuuksia.
- f. **Pidä leikkausterät terävinä ja puhtaina.** Kunnossa pidettyjen leikkaavia teräviä reunoja sisältävien työkalut todennäköisyys jumiutua vähenee, ja niitä on helpompi hallita.
- g. **Käytä sähkötyökälua, lisävarusteita ja työkalun teriä jne. näiden ohjeiden mukaisesti työskentelyolosuhteet sekä suoritettavat työn huomioon ottaen.** Jos sähkötyökälua käytetään näiden ohjeiden vastaisesti, voi syntyä vaaratilanne.
- h. **Laitteeseen ei saa tehdä muutoksia.** Muutokset voivat heikentää turvatoimintojen tehokkuutta ja lisätä vaaroja käyttäjille ja/tai sivullisille.
- i. **Pidä kahvat ja tartuntapinnat kuivina, puhtaina ja öljyttöminä/rasvattomina.** Liukkaat kahvat ja tartuntapinnat voivat johtaa vaaratilanteisiin ja/tai työkalun hallinnan menettämiseen.
- j. **Pidä letkut ja sähköjohdot pois työkalun käyttöalueelta.** Käytön aikana letkut ja sähköjohdot voivat olla piilossa ja voit leikata niihin vahingossa.
5. **Akkutyökäluun käyttö ja huolto**
- a. **Lataa akku vain valmistajan määrittelemällä laturilla.** Laturi, joka on sopiva yhden tyyppiselle akulle, voi aiheuttaa tulipalon vaaran, jos sitä käytetään toisen tyyppisellä akulla.
- b. **Käytä sähkötyökäluissa ainoastaan kyseiseen sähkötyökäluun tarkoitettua akkua.** Muun tyyppisen akun käyttö saattaa johtaa loukkaantumiseen ja tulipaloon.
- c. **Pidä irrallinen akku loitolla metalliesineistä, kuten paperiliittimistä, kolikoista, avaimista, nauloista, ruuveista tai muista pienistä metalliesineistä, jotka voivat aiheuttaa oikosulun akun navoissa.** Kennon pinteiden oikosulku voi aiheuttaa palovammoja tai tulipalon.
- d. **Väärin käytetystä akusta voi vuotaa nestettä. Älä kosketa sitä. Jos nesteen kanssa joutuu kosketuksiin, huuhtelee vedellä. Jos nestettä joutuu silmiin, hakeudu lisäksi lääkärin hoitoon.** Akusta roiskunut neste saattaa aiheuttaa ärsytystä tai palovammoja.
- e. **Akkua tai työkalua ei saa käyttää, jos siinä on vaurioita tai sitä on muunneltu.** Vaurioituneissa tai muokatuissa akussa voi esiintyä odottamattomia häiriöitä, jotka voivat aiheuttaa tulipaloja, räjähdysvaaroja tai henkilövahinkoja.
- f. **Akkua ja laite tulee suojata tulelta sekä liian korkealta lämpötilalta.** Mikäli akku altistuu tullelle tai yli 130 °C lämpötilalle, seurauksena voi olla räjähdys. HUOMAA: Lämpötila 130 °C vastaa lämpötilaa 265 °F.
- g. **Noudata kaikkia latausohjeita. Akkua tai työkalua ei saa ladata ohjeissa määritetystä lämpötilavälisestä poikkeavassa lämpötilassa.** Virheellisen latauksen tai annettujen lämpötilavälien ulkopuolella lataamisen seurauksena akku voi vaurioitua ja tulipalovaara kasvaa.
- h. **Älä koskaan upota työkalua tai akkua veteen.** Veteen upottaminen lisää ylikuumentumisen, tulipalon ja/tai räjähdysriskiä, mikä voi johtaa henkilö- ja omaisuusvahinkoihin.
- i. **Älä koskaan altista työkalua tai akkua syövyttävälle tai johtaville nesteille, kuten merivedelle, teollisuuskemikaaleille, valkaisuaineille tai valkaisuainetta sisältäville tuotteille jne.** Syövyttävien tai johtavien nesteiden sisäänpääsy lisää ylikuumentumisen, tulipalon ja/tai räjähdysvaaraa, mikä voi johtaa henkilö- ja omaisuusvahinkoihin.
6. **Huolto**
- a. **Anna pätevän korjaajan huoltaa sähkötyökälu alkuperäisiä varaosia käyttäen.** Täten taataan sähkötyökäluun turvallisuus.
- b. **Älä koskaan huolla vaurioituneita akkua.** Ainoastaan valmistaja tai valtuutetut huoltoilikkeet saavat huoltaa akkua.
- Turvaohjeet kaikkia toimintoja käytettäessä**
- ◆ **Käytä iskuporan käytön aikana kuulonsuojaimia.** Mela voi aiheuttaa kuulon heikentymistä.
 - ◆ **Tartu työkaluun oikein ennen käyttöä.** Tämä työkalu tuottaa suuren vääntömomentin, jos työkalua ei pidetä oikeaoppisesti käytön aikana, seurauksena voi olla hallinnan menetys ja henkilövahinko.

- ◆ **Tartu kiinni koneen eristetyistä tartuntapinoista, jos leikkausvälinettä käyttäessä on vaara osua piilossa oleviin johtoihin.** Jos leikkausväline koskettaa jännitteenalaisia johtoja, jännite voi välittyä sähkötyökalun suojaamattomiin metalliosiin ja aiheuttaa sähköiskun.

Turvavaroitukset pitkiä poranteriä käyttäessä

- ◆ **Älä koskaan käytä poranterässä annettua maksiminopeutta suurempaa nopeutta.** Suuremmilla nopeuksilla terä voi taipua ja aiheuttaa henkilövahinkoja, jos sen annetaan pyöriä vapaasti työstökappaleesta irti.
- ◆ **Aloita poraus aina alhaisella nopeudella poranterän koskettaessa työstettävään kappaleeseen.** Suuremmilla nopeuksilla terä voi taipua ja aiheuttaa henkilövahinkoja, jos sen annetaan pyöriä vapaasti työstökappaleesta irti.
- ◆ **Kohdista terään voimaa vain suorassa linjassa välttäen liiallista painetta.** Terät voivat taipua ja aiheuttaa murtumisen tai hallinnan menetyksen, mikä voi johtaa henkilövahinkoihin.

Lisäturvavaroituksia porille/ruuvinvääntimille/iskuporille

- ◆ **Käytä puristimia tai muuta käytännöllistä tapaa kiinnittäjä ja tukea työkappale tukevalle alustalle.** Työn pitäminen käsin tai vartaloa vasten on epävakaata ja saattaa johtaa kontrollin menetykseen.
- ◆ **Lisävarusteet ja työkalu voivat kuumentua käytön aikana.** Käytä suojakäsineitä niiden käsittelyn aikana, jos käytät työkalua lämpöä tuottaviin toimintoihin, kuten metallien poraukseen.
- ◆ **Ilmanvaihtoaukkoja ei saa peittää.** Löysät vaatteet, korut tai pitkät hiukset voivat tarttua liikkuviin osiin.
- ◆ **Käytä suojalaseja tai muita silmäsuojia.** Iskuporaus ja poraaminen voivat aiheuttaa lastujen lentämisen. Sinkoavat kappaleet voivat aiheuttaa pysyvän silmävaurion.
- ◆ **Käytä iskuporan käytön aikana kuulonsuojaimia.** Melu voi aiheuttaa kuulon heikentymistä.
- ◆ **Käytä lisäkahvoja, jos ne on toimitettu työkalun mukana.** Hallinnan menetys voi johtaa henkilövahinkoihin.
- ◆ **Työkalua ei saa käyttää pitkiä aikajaksoja.** Työkalun toiminnasta syntyvä värinä voi olla haitallista käsille ja käsivarsille. Vaimenna värinää käyttämällä suojakäsineitä ja vältä värinälle altistumista pitämällä säännöllisesti taukoja.

Sähkötyökalun lisäturvaohjeet



Varoitus! Iskuporien lisäturvavaroitukset

- ◆ **Käytä työkalun mukana toimitettuja lisäkahvoja.** Hallinnan menetys voi johtaa henkilövahinkoihin.

- ◆ **Pidä kiinni sähkötyökalun eristetyistä kahvoista, kun leikkausväline voi koskettaa piilossa oleviin johtoihin toimenpiteen aikana.** Jos leikkausväline koskettaa jännitteellisiä johtoja, jännite voi johtua sähkötyökalun suojaamattomiin metalliosiin ja aiheuttaa sähköiskun.
- ◆ **Pidä kiinni sähkötyökalun eristetyistä kahvoista, kun kiinnitin voi koskettaa piilossa oleviin johtoihin toimenpiteen aikana.** Jos kiinnitin koskettaa jännitteenalaisia johtoja, jännite voi välittyä sähkötyökalun suojaamattomiin metalliosiin ja aiheuttaa sähköiskun.
- ◆ **Varmista työstökappaleen hyvä kiinnitys tukevaan alustaan ja sen hyvä tuki käyttämällä puristimia tai toista käytännöllistä tapaa.** Jos työstökappalletta pidetään käsillä tai kehoa vasten, se on epävakaata ja seuraauksena voi olla hallinnan menetys.
- ◆ **Tarkista kohde johtojen ja putkien varalta ennen seiniin, lattioihin tai kattoihin poraamista.**
- ◆ **Vältä koskettamasta poranterän kärkeä heti poraamisen jälkeen, sillä se voi olla kuuma.**
- ◆ **Käyttötarkoitus on kuvattu tässä ohjekirjassa.** Jos tässä työkalussa käytetään muita kuin tässä ohjekirjassa suositeltuja lisävarusteita tai tarvikkeita tai työkalulla suoritetaan muita kuin tässä ohjekirjassa suositeltuja toimenpiteitä, olemassa on henkilö- ja/tai omaisuusvahinkovaara.

Muiden turvallisuus

- ◆ Tätä työkalua ei ole tarkoitettu sellaisten henkilöiden käyttöön, joilla on fyysisiä tai älyllisiä rajoitteita tai aistirajoitteita, eikä laitteen toimintaan perehtymättömien henkilöiden käyttöön (lapset mukaan luettuina), paitsi valvonnan alaisina, tai jos he ovat saaneet työkalun käyttöön liittyvää opastusta heidän turvallisuudestaan vastaavalta henkilöltä.
- ◆ Lapsia on valvottava, jotta he eivät leikkisi laitteella.

Jäännösriskit

Myös muut kuin turvavaroituksissa mainitut riskit ovat mahdollisia laitetta käytettäessä. Nämä riskit voivat liittyä muun muassa virheelliseen tai liian pitkäaikaiseen käyttöön. Tiettyjä jäännösriskejä ei voi välttää, vaikka noudatetaan turvamaääräyksiä ja käytät turvalaitteita. Niihin kuuluvat seuraavat:

- ◆ Pyörievien tai liikkuvien osien koskettamisen aiheuttamat vahingot.
- ◆ Osia, teriä tai lisävarusteita vaihdettaessa aiheutuneet vahingot.
- ◆ Henkilövahingot, jotka johtuvat työkalun liian pitkäaikaisesta käytöstä. Varmista, että pidät säännöllisesti taukoja laitteen pitkäaikaisen käytön aikana.

- ◆ Kuulon heikentyminen.
- ◆ Työkalua käytettäessä (esimerkiksi puuta, erityisesti tammea, pöykkiä ja MDF-levyjä käsiteltäessä) syntyneen pölyn sisäänhengityksen aiheuttamat terveysriskit.

Melu ja värinä

Teknisissä tiedoissa ja vaatimustenmukaisuusvakuutuksessa ilmoitetut värinä- ja melupäästöarvot on mitattu EN 62841-standardin testausmenetelmän mukaisesti, ja arvoja voi käyttää työkalujen keskinäiseen vertailuun. Ilmoitettuja melu- ja värinäpäästöarvoja voi käyttää myös altistumisen alustavaan arviointiin.

Varoitus! Sähkötyökalun käytön aikana mitatut todelliset melu- ja värinäpäästöarvot voi poiketa ilmoitetusta värinäpäästöarvosta työkalun käyttötavan mukaan. Värinätaaso voi nousta annetun tason yläpuolelle. Kun värinälle altistumista arvioidaan sen määrittämiseksi, mitä direktiivin 2002/44/EY mukaisia turvatoimenpiteitä vaaditaan sähkötyökaluja säännöllisesti käyttävien henkilöiden suojelemiseksi, värinälle altistumisen arvioinnissa on otettava huomioon todelliset käyttöolosuhteet ja työkalun käyttötavat. Todellisen käytön lisäksi on kiinnitettävä huomiota myös siihen, milloin työkalu on sammutettuna tai milloin se käy tyhjäkäynnillä.

Työkalun merkinnät

Seuraavat symbolit näkyvät työkalussa päivämääräkoodin ohella:



Varoitus! Käyttäjän on luettava käyttöohje vahinkojen välttämiseksi.



Älä katso suoraan päällä olevaan lamppuun

Akkuja ja laturia koskevat lisäturvaohjeet

Akut

- ◆ Älä koskaan yritä avata mistään syystä.
- ◆ Älä anna akun kastua.
- ◆ Älä säilytä akkuja tiloissa, joissa lämpötila voi nousta yli 40 °C:een.
- ◆ Lataa akku paikassa, jonka lämpötila on vähintään 10 °C ja enintään 40 °C.
- ◆ Lataa akku ainoastaan työkalun mukana toimitetulla laturilla.
- ◆ Noudata akkujen hävittämisessä Ympäristönsuojelukohdassa esitetyjä ohjeita.



Älä yritä ladata vaurioituneita akkuja.

- ◆ Suojaa akku vahingoittumiselta niin, ettei sen kotelo rikkoudu eikä siihen kohdistu iskuja, sillä muutoin voi syntyä henkilövahinkojen ja tulipalon vaara.
- ◆ Vaativissa oloissa voi ilmetä akkuvuotoja. Jos havaitset akkujen pinnalla nestettä, pyyhi se huolellisesti pois. Vältä ihokosketusta.
- ◆ Jos nestettä joutuu silmiin tai iholle, noudata alla olevia ohjeita.

Varoitus! Akkuneste voi aiheuttaa aineellisia vahinkoja tai henkilövahinkoja. Jos nestettä joutuu iholle, se on välittömästi huuhdeltava pois vedellä. Jos ihoa kirvelee tai se punottaa tai on muuten ärtynyt, kysy lisäohjeita lääkäriltä. Jos nestettä joutuu silmiin, huuhto välittömästi puhtaalla vedellä ja mene lääkäriin.

Laturit

Laturi on suunniteltu tietylle jännitteelle. Tarkista aina, että verkkojännite vastaa arvokilvessä annettua jännitettä.

Varoitus! Älä koskaan yritä vaihtaa laturia tavalliseen verkkovirtapistokkeeseen.

- ◆ Käytä BLACK+DECKER-laturia ainoastaan työkalun mukana toimitetun akun lataamiseen. Muut akut voivat räjähtää ja aiheuttaa henkilö- ja omaisuusvahinkoja.
- ◆ Älä koskaan yritä ladata akkuja, joita ei ole tarkoitettu ladattavaksi.
- ◆ Jos virtajohto vahingoittuu, sen vaihtaminen on turvallisuussyistä jätettävä valmistajan tai valtuutetun huollon tehtäväksi.
- ◆ Vaihda vialliset johdot välittömästi ehjiin.
- ◆ Suojaa laturi vedeltä.
- ◆ Laturia ei saa avata.
- ◆ Laturiin ei saa työntää koetinta.
- ◆ Lataa laite/työkalu/akku paikassa, jossa on kunnollinen ilmanvaihto.



Laturi on tarkoitettu vain sisäkäyttöön.



Lue käyttöohjeet ennen käyttämistä.

Sähköturvallisuus



Laturi on kaksoeristetty, eikä se näin ollen vaadi maadoitusjohtoa. Tarkista aina, että verkkojännite vastaa arvokilvessä annettua jännitettä. Älä koskaan yritä vaihtaa laturia tavalliseen verkkovirtapistokkeeseen.

- ◆ Jos virtajohto on vaurioitunut, vaaratilanteiden välttämiseksi se on vietävä valmistajalle tai valtuutettuun BLACK+DECKER-huoltopalveluun johdon vaihtoa varten.

Ominaisuudet

Tämä työkalu sisältää kaikki seuraavat ominaisuudet tai vain osan niistä.

1. Portaaton nopeudensäädin
2. Suunnanvaihtokytkin
3. Momentin säätörengas
4. Avaimeton istukka
5. Kaksinopeusjärjestelmä
6. LED-työvalo
7. Vyökoukku (saatavilla kaikissa malleissa)
8. Akku
9. Akun vapautuspainike

Kokoaminen

Käyttö

Varoitus! Anna työkalun käydä omaan tahtiinsa. Älä ylikuormita sitä.

Akun lataaminen (kuvat A1, A2)

Akku on ladattava ennen ensimmäistä käyttökertaa ja aina kun laitteen teho on riittämätön normaalien toimenpiteiden suorittamiseen. Akku voi lämmetä latauksen aikana, se on normaalia; se ei ole vian merkki.

Varoitus! Älä lataa akkua alle 10 °C tai yli 40 °C asteen lämpötilassa. Suositeltava latauslämpötila on noin 24 °C.

Huomaa: Laturi ei lataa akkua, jos kennon lämpötila on suunnilleen alle 10 °C tai yli 40 °C.

Akku tulee jättää laturiin, ja laturi aloittaa latauksen automaattisesti, kun kennon lämpötila nousee tai laskee.

- ◆ Liitä laturi (10) tavalliseen 230 V 50 Hz pistorasiaan.
- ◆ Liu'uta akku (8) laturiin kuvan A1, A2 mukaisesti.

LED-merkkivalo (10a) vilkkuu ilmoittaen akun latautumisesta.

Kun lataus on valmis, LED-merkkivalo (10a) jää palamaan pysyvästi. Akku on täysin ladattu ja sitä voidaan käyttää heti tai sen voi jättää laturiin.

Varoitus! Tulipalovaara. Kun akku irrotetaan laturista, irrota laturi ensin verkkovirrasta ja sen jälkeen akku laturista.

Laturin vianmääritys

Tämä laturi on tarkoitettu havaitsemaan joitakin akkuun tai virtalähteeseen liittyviä ongelmia. Ongelmista ilmoittaa yksi eri tahtiin vilkkuva LED-merkkivalo.

Heikkokuntoinen akku

Laturi voit tunnistaa heikon tai vaurioituneen akun. LED-merkkivalo vilkkuu merkin osoittamalla tavalla. Jos havaitset tämän huonokuntoisen akun viikkumistavan, lopeta akun lataaminen. Vie se huoltopalveluun tai kierrätyspisteeseen.

Kuuma-/kylmäviive

Kun laturi havaitsee liian kylmän tai kuuman akun, se käynnistää automaattisesti kuuma-/kylmäviiveen keskeyttäen latauksen, kunnes akku on saavuttanut normaalin lämpötilan. Tämän jälkeen laturi kytkee automaattisesti päälle akun lataustilan. Tämä toiminto takaa maksimaalisen akun käyttöiän. Merkkivalo vilkkuu merkin osoittamalla tavalla.

Akun jättäminen laturiin

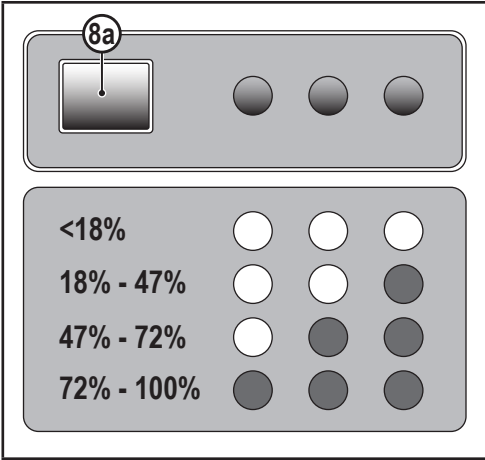
Akku voidaan jättää laturiin, kun merkkivalo palaa. Laturi pitää akun käyttövalmiina ja ladattuna.

Tärkeitä huomautuksia lataamiseen

- ◆ Käyttöikä ja teho voidaan maksimoida, jos akkua ladataan ilman lämpötilassa 18 °C – 24 °C. Akkua EI SAA ladata alle +4,5 °C tai yli +40 °C ilman lämpötilassa. Tämä on tärkeää akun vakavien vaurioiden välttämiseksi.
- ◆ Laturi ja akku voivat kuumentua latauksen aikana. Se on normaalia eikä ole merkki viasta. Jotta akku jäähtyisi käytön jälkeen, vältä asettamasta laturia tai akkua lämpimään ympäristöön (esim. metallikoteloon tai eristämättömään säiliöön).
- ◆ Jos akku ei lataudu kunnolla:
 - ◆ Tarkista pistorasian toiminta liittämällä siihen lamppu tai muu laite.
 - ◆ Tarkista onko pistorasia liitetty valokytkimeen, joka katkaisee virran valojen sammuttamisen yhteydessä.
 - ◆ Siirrä laturi ja akku paikkaan, jossa ympäristölämpötila on noin 18 °C – 24 °C.
 - ◆ Jos latausongelmat jatkuvat, vie työkalu akun ja laturin ohella paikalliseen huoltopalveluun.
- ◆ Akku täytyy ladata uudelleen, kun se ei enää tuota riittävää tehoa töissä, joka voitiin aikaisemmin tehdä helposti. ÄLÄ JATKA TYÖKALUN KÄYTTÖÄ näissä olosuhteissa. Noudata latausohjeita. Myös osittain käytetty akku voidaan ladata haluttaessa ilman akulle koituvaa haittaa.
- ◆ Johtavat materiaalit kuten, mutta ei näihin rajoittuen, hiomapöly, metallihiukkaset, teräsvilla, alumiinifolio tai muu metallipartikkeleiden kasaantuma, tulee pitää poissa laturin aukoista. Irrota laturi virtalähteestä ennen puhdistusta.
- ◆ Älä pakasta tai upota laturia veteen tai muihin nesteisiin.

Akun varaustilan merkkivalo (kuva B)

Akussa on varaustilan merkkivalo, joka mahdollistaa akun käyttöajan määrittämisen nopeasti kuvan B mukaisesti. Voit tarkistaa akun jäljellä olevan käyttöajan helposti painamalla varaustilan painiketta (8a) kuvan B mukaisesti.



Akun asentaminen ja irrottaminen työkalusta (kuva C)

Varoitus! Varmista, että lukituspainike (2) on kytketty ennen akun irrottamista tai asentamista kytkimen käytön estämiseksi. Akun asentaminen:

- ◆ Aseta akku (8) työkaluun, kunnes kuulet napsahduksen (kuva C)

Akun irrottaminen työkalusta (kuva C)

- ◆ Paina akun vapautuspainiketta (9) kuvan mukaisesti (kuva C) ja vedä akku irti työkalusta.

Vyökoukku (kuvat D, E)

Varoitus! Vakavan henkilövahingon vaaran vähentämiseksi aseta suunnanvaihtopainike lukitusasentoon tai katkaise työkalusta virta ja irrota akku ennen säätämistä tai varusteiden irrottamista tai asentamista. Tahaton käynnistyminen aiheuttaa vahingon.

Varoitus! Vakavan henkilövahingon välttämiseksi käytä työkalun vyökoukku (7) VAIN työkalun ripustamiseen vyöstä. Vyökoukku (7) EI SAA käyttää työkalun ketjuttamiseen tai kiinnittämiseen henkilöön tai kohteeseen käytön aikana. ÄLÄ ripusta työkalua pään yläpuolelle tai ripusta esineitä vyökoukusta.

Varoitus! Vakavan henkilövahingon riskin vähentämiseksi tulee varmistaa, että vyökoukun kiinnitysruuvi (11) on varmasti kiinni.

Huomaa: Kun kiinnität tai vaihdat vyökoukku (7), käytä vain mukana toimitettua ruuvia (11). Kiristä ruuvi huolellisesti. Vyökoukku (7) voidaan kiinnittää liu'uttamalla se työkalun molemmilla puolilla oleviin syvennyksiin (13) käyttämällä vain mukana toimitettua ruuvia (11), mikä mahdollistaa sekä oikea- että vasenkätisten käyttäjien käytön. Jos koukku ei haluta lainkaan, sen voi irrottaa työkalusta.

Irrota vyökoukku poistamalla ruuvi (11), joka pitää vyökoukun (7) paikallaan ja kokoa sitten uudelleen vastakkaiselle puolelle. Kiristä ruuvi (11) huolellisesti.

Käyttöohjeet

Liipaisin ja suunnanvaihtokytkin (kuva F)

- ◆ Pora kytketään PÄÄLLE ja POIS PÄÄLTÄ painamalla liipaisimesta (1) ja vapauttamalla se. Mitä enemmän liipaisukytkintä painetaan, sitä suurempi porakoneen nopeus.
- ◆ Eteen-/taaksepäin-painike (2) määrää työkalun pyörimissuunnan ja toimii myös lukituspainikkeena.
- ◆ Valitse pyörimissuunta eteenpäin vapauttamalla liipaisukytkin ja painamalla eteen-/taaksepäin-painiketta vasemmalle.
- ◆ Valitse pyörimissuunta taaksepäin painamalla eteen-/taaksepäin-painiketta vastakkaiseen suuntaan.

Huomaa: Kun säätöpainike asetetaan keskiasentoon, työkalu lukittuu pois päältä asentoon. Kun säätöpainikkeen asentoa muutetaan, vapautu liipaisin.

Momentin säätäminen (kuva G)

Tässä työkalussa on momentin säätörenkas (3) käyttötilan vaihtamiseen ja momentin asettamiseksi ruuvien kiristämistä varten. Suuret ruuvit ja kovat työstömateriaalit edellyttävät suuremman momentin kuin pienemmät ruuvit ja pehmeämmät työstömateriaalit.

- ◆ Puuta, metallia ja muovia poratessasi aseta kartio porausasennon symbolin kohdalle.
- ◆ Kivimateriaalia poratessa aseta poraustavan valitsin iskuporauksen kohdalle.
- ◆ Ruuveja vääntäessäsi aseta kartio haluamaasi asentoon. Jos et vielä tiedä oikeaa asentoa, toimi seuraavasti:
- ◆ Aseta kartio pienimmän vääntömomentin mukaiseen asentoon.
- ◆ Kiristä ensimmäinen ruuvi.
- ◆ Jos kytkin luistaa ennen halutun tuloksen saavuttamista, suurena kartion asetusta ja jatka ruuvien kiristämistä. Toista, kunnes saavutat oikean asetuksen. Kiristä muut ruuvit käyttämällä tätä asetusta.

Avaimeton istukka (kuva H)

Varoitus! Varmista, että lukituspainike (2) on kytketty ennen lisävarusteiden asentamista tai irrottamista kytkimen käytön estämiseksi.

Poranterän tai muun lisävarusteen kiinnittäminen:

- ◆ Tartu työkaluun yhdellä kädellä ja kierrä toisella kädellä istukkaa (4) vastapäivään istukan päästä katsottuna.
- ◆ Aseta terä tai muu tarvikke istukkaan ja kiinnitä se hyvin kiertämällä istukkaa myötäpäivään istukan päästä katsottuna.

Varoitus! Älä yritä kiristää poranteriä (tai muita lisävarusteita) tarttumalla istukkaan ja käynnistämällä työkalun. Istukka voi vaurioitua ja henkilövahinkoja tapahtua lisävarusteita vaihtaessa.

Kaksivaihteinen järjestelmä (kuva I)

Poran kaksivaihteinen järjestelmä mahdollistaa vaihteen vaihtamisen monikäyttöisyyttä varten. Voit valita alhaisen nopeuden ja suuremman momenttiasetuksen (asento 1) kytkemällä työkalun pois päältä ja antamalla sen pysähtyä. Liu'uta vaihdepainike (5) istukasta pois päin. Voit valita suuren nopeuden ja alhaisen momenttiasetuksen (asento 2) kytkemällä työkalun pois päältä ja antamalla sen pysähtyä. Liu'uta vaihdepainike istukkaan päin.

Huomaa: Vaihdetta ei saa vaihtaa työkalun ollessa toiminnassa. Jos vaihteen vaihto on vaikeaa, varmista, että kaksivaihteisen järjestelmän painikkeet on painettu joko kokonaan sisään tai ulos.

Poraaminen/ruuvaaminen

- ◆ Valitse pyörimissuunta eteen- tai taaksepäin eteen-/taaksepäin-liukusäätimellä (2).
- ◆ Käynnistä laite painamalla kytkintä (1). Työkalun nopeus riippuu siitä, miten syvälle kytkintä painetaan.
- ◆ Sammuuta laite vapauttamalla kytkin.

Vinkkejä optimaaliseen käyttöön

Poraaminen

- ◆ Käytä vain teräviä poranteriä.
- ◆ Tue ja kiinnitä työstökappale oikeaoppisesti turvallisuusohjeita noudattaen.
- ◆ Käytä asianmukaisia ja vaadittuja turvavarusteita turvallisuusohjeita noudattaen.
- ◆ Varmista työalueen turvallisuus turvallisuusohjeita noudattaen.
- ◆ Käytä poraa erittäin hiljaa kevyellä paineella, kunnes reikä on aloitetta riittävästi poran pitämiseksi aukossa.
- ◆ Paina suoraan terän suuntaisesti. Käytä riittävästi painetta, jotta terä etenee. Vältä kuitenkin liiallista painamista, jotta moottori ei pysähtyisi ja terä vääntyisi.
- ◆ Pitele poraa tiukasti kahdella kädellä niin, ettei se pääse heilumaan.
- ◆ ÄLÄ YRITÄ KÄYNNISTÄÄ KIINNI JÄÄNYTTÄ MOOTTORIA UUDELLEEN PAINELMALLA LIIPASINTA. MUUTOIN PORA VOI VAURIOITUA.
- ◆ Vähennä kiinni jäämisen mahdollisuutta puhkaisuvaiheessa vähentämällä painetta ja poraamalla hitaasti reiän loppupäässä.
- ◆ Pidä moottori käynnissä ja vedä terä ulos poratusta reiästä. Tämä vähentää kiinni juuttumisen vaaraa.
- ◆ Varmista, että kytkin käynnistää ja sammuttaa poran.

Puun poraaminen

Puuta voidaan porata käyttämällä samoja kierreporanteriä kuin metallia poratessa tai lapioporanteriä. Terien on oltava teräviä ja ne on vedettävä ulos tiheään poraamisen aikana sirujen poistamiseksi uurteista.

Metallin poraaminen

Käytä leikkuuöljyä metallin poraamisen aikana. Tämä ei koske valurautaa tai messinkiä, jotka on porattava kuivina. Parhaiten sopivat leikkuuöljyt ovat rikitetty leikkuuöljy ja laardiöljy.

Betonin poraaminen

Kun poraat betonia, aseta kartio (3) iskuporausasentoon siirtämällä merkki kohdakkain merkinnän kanssa. Työnnä nopeudenvälisintä (5) työkalun etuosaa kohti (2. vaihde).

Ruuvaaminen

- ◆ Käytä aina oikeantyyppistä ja -kokoista ruuviavainta.
- ◆ Jos ruuvien kiristäminen on hankalaa, kokeile käyttäät liukasteena pientä määrää pesunestettä tai saippuaa.
- ◆ Pidä aina työkalu ja ruuviavain suorassa linjassa ruuviin nähden

Vianmääritys

Ongelma	Mahdollinen syy	Mahdollinen ratkaisu
Laite ei käynnisty.	Akkua ei ole ladattu.	Tarkista akun latausvaatimukset.
Akku ei lataudu.	Laturia ei ole kytketty pistorasiaan. Ympäristölämpötila on liian suuri tai alhainen.	Kytke laturi toimivaan pistorasiaan. Siirrä laturi ja akku ympäristöön, jonka lämpötila on yli 4,5 °C (40 °F) tai alle +40,5 °C (105 °F).
Laite sammuu äkkinaisesti.	Akun maksimilämpötila on saavutettu. Käyttöalueen ulkopuolella. (Akun maksimaalista käyttöikää varten akku sammuu tarkoituksella äkkinaisesti virran loppuessa.	Anna akun jäähtyä. Aseta laturiin ja anna latautua.

Huolto

BLACK+DECKER-työkalu on tarkoitettu toimimaan pitkään aikaa vain vähäisellä ylläpidolla. Hyvä suorituskyky jatkuvassa käytössä riippuu työkalun ylläpidosta ja säännöllisestä puhdistamisesta.

Laturi ei vaadi ylläpitotoimia, ainoastaan säännöllistä puhdistusta.

Varoitus! Irrota akku työkalusta ennen työkalun huoltamista.

Irrota laturi virtalähteestä ennen sen puhdistamista.

- ◆ Puhdista sahan ja laturin ilma-aukot säännöllisesti pehmeällä harjalla tai kuivalla kangasliinalla.

- ◆ Puhdista moottorin kotelo säännöllisesti kostealla liinalla. Älä käytä hankaavia tai liuotinpohjaisia puhdistusaineita.
- ◆ Avaa istukka säännöllisesti ja naputtele pöly pois sen sisältä.

Ympäristönsuojelu



Erilliskeräys. Tällä symbolilla merkityjä tuotteita ja akkuja ei saa hävittää tavallisen kotitalousjätteen mukana.

Tuotteissa ja akuissa on materiaaleja, jotka voidaan kerätä talteen tai kierrättää raakamateriaalien käytön vähentämiseksi. Kierrätä sähkölaitteet ja akut paikallisten määräyksien mukaan. Lisätietoa on saatavilla osoitteessa www.2helpU.com

Tekniset tiedot

BLD683 Typpi 1			
Jännite	V_{DC}		18
Kuormittamaton nopeus	Min^{-1}	0 - 450 / 0 - 1800	
Maksimimomenti	Nm		50
Istukan kapasiteetti	mm		2-13
Suurin mahdollinen porausteho teräs/ puu/betoni	mm		13/30/10
Paino	kg	1,1 kg (ilman akkuja)	

Laturi		905902**	N517390
Tulojännite	V_{AC}	230	230
Lähtöjännite	V_{DC}	18	18
Virta	mA	400	1000
Arvioitu latausaika	Tuntia	3 - 6,5	1,5 - 2,5

Akku		BDL1518*	BDL2018*	BDL2518*
Jännite	V_{DC}	18	18	18
Kapasiteetti	Ah	1,5	2,0	2,5
Tyyppi		Litiumioni	Litiumioni	Litiumioni

Äänenpainetaso standardin EN 62841 mukaisesti:

Äänenpaine (L_{pa}) 92 dB(A), epävarmuus (K) 5 dB(A)

Ääniteho (L_{wa}) 100 dB(A), epävarmuus (K) 5 dB(A)

Kokonaistärinäarvot (triax-vektorisumma) standardin EN 62841 mukaisesti:

Betonin poraaminen ($a_{h,D}$) 16,8 m/s², epävarmuus (K) 1,5 m/s²

Metallin poraaminen ($a_{h,D}$) 2,3 m/s², epävarmuus (K) 1,5 m/s²

EU-vaatimusten mukaisuusvakuutus

KONEDIREKTIIVI



BLD683 - Iskupora

Black & Decker vakuuttaa, että nämä kohdassa "tekniset tiedot" kuvatut tuotteet täyttävät seuraavat vaatimukset: 2006/42/EY, EN 62841-1:2015+A11:2022, EN 62841-2-1:2018+A11:2019+A1:2022+A12:2022.

Nämä tuotteet täyttävät myös direktiivien 2014/30/EU ja 2011/65/EU vaatimukset. Lisätietoja saa ottamalla yhteyden Black & Deckeriin seuraavassa osoitteessa. Tiedot ovat myös käyttöohjeen takakannessa.

Allekirjoittanut vastaa teknisten tietojen kokoamisesta ja antaa tämän ilmoituksen Black & Deckerin puolesta.

Patrick Diepenbach

Patrick Diepenbach
General Manager, Benelux BLACK +DECKER, Richard-Klinger-Strasse 11, 65510 Idstein, Saksa
10.5.2024

Takuu

Black & Decker luottaa tuotteidensa laatuun ja tarjoaa kuluttajatuotteille 24 kuukauden takuun, joka astuu voimaan ostopäivänä.

Takuu on lisäys kuluttajan laillisiin oikeuksiin eikä vaikuta niihin. Tämä takuu on voimassa kaikissa EU- ja ETA-maissa sekä Isossa-Britanniassa.

Edellytyksenä takuun saamiselle on, että vaade täyttää Black & Deckerin ehdot ja että ostaja toimittaa ostotositteen jälleenmyyjälle tai valtuutetulle huoltoliikkeelle.

Black & Decker -yhtiön kahden vuoden takuun ehdot ja lähimmän valtuutetun huoltopalvelun tiedot ovat saatavilla verkko-osoitteessa www.2helpU.com tai ottamalla yhteyttä paikalliseen Black & Decker -toimistoon tässä ohjekirjassa annettuja yhteystietoja käyttäen.

Käy verkkosivuillemme osoitteessa www.blackanddecker.eu ja rekisteröi uusi Black & Decker -tuotteesi saadaksesi tietoa uusista tuotteista ja erikoistarjouksista.

Προβλεπόμενη χρήση

Το κρουστικό δράπανο BLACK+DECKER BLD683 - έχει σχεδιαστεί για εφαρμογές βιδώματος και για τρύπημα σε ξύλο, μέταλλο, πλαστικό και τοιχοποιία. Αυτό το εργαλείο προορίζεται μόνο για ερασιτεχνική χρήση.

Οδηγίες ασφαλείας

Γενικές προειδοποιήσεις ασφαλείας για ηλεκτρικά εργαλεία



Προειδοποίηση! Διαβάστε όλες τις προειδοποιήσεις ασφαλείας, τις οδηγίες, τις απεικονίσεις και τις προδιαγραφές που συνοδεύουν αυτό το ηλεκτρικό εργαλείο. Η μη τήρηση των προειδοποιήσεων και των οδηγιών που αναφέρονται παρακάτω μπορεί να έχει ως αποτέλεσμα ηλεκτροπληξία, πυρκαγιά και/ή σοβαρή σωματική βλάβη.

Αποθηκεύστε όλες τις προειδοποιήσεις και τις οδηγίες για μελλοντική αναφορά. Ο όρος "ηλεκτρικό εργαλείο" σε όλες τις προειδοποιήσεις που αναφέρονται παρακάτω αναφέρεται στο ηλεκτρικό εργαλείο που λειτουργεί από το δίκτυο (με καλώδιο) ή στο ηλεκτρικό εργαλείο που λειτουργεί με μπαταρία (ασύρματο).

1. Ασφάλεια χώρου εργασίας

- a. **Διατηρήστε τον χώρο εργασίας καθαρό και καλά φωτισμένο.** Ακατάστατες ή σκοτεινές περιοχές προκαλούν ατυχήματα.
- b. **Μη χρησιμοποιείτε ηλεκτρικά εργαλεία σε εκρηκτικές ατμόσφαιρες, όπως παρουσία εύφλεκτων υγρών, αερίων ή σκόνης.** Τα ηλεκτρικά εργαλεία δημιουργούν σπινθήρες που μπορεί να αναφλέξουν τη σκόνη ή τις αναθυμιάσεις.
- c. **Κρατήστε μακριά τα παιδιά και τους παρευρισκόμενους ενώ χειρίζεστε ένα ηλεκτρικό εργαλείο.** Παράγοντες που αποσπούν την προσοχή μπορεί να σας κάνουν να χάσετε τον έλεγχο.

2. Ασφάλεια χρήσης ηλεκτρικού ρεύματος

- a. **Τα φως των ηλεκτρικών εργαλείων πρέπει να ταυρίζουν στην πρίζα.** Ποτέ μην τροποποιείτε το φως με κανέναν τρόπο. **Μη χρησιμοποιείτε φως προσαρμογέα με γειωμένα ηλεκτρικά εργαλεία.** Τα μη τροποποιημένα φως και οι αντίστοιχες πρίζες μειώνουν τον κίνδυνο ηλεκτροπληξίας.
- b. **Αποφύγετε την επαφή του σώματος με γειωμένες επιφάνειες όπως σωλήνες, αναλλάκτες θερμότητας, κουζίνες και ψυγεία.** Υπάρχει αυξημένος κίνδυνος ηλεκτροπληξίας αν το σώμα σας είναι γειωμένο.

- c. **Μην εκθέτετε τα ηλεκτρικά εργαλεία σε βροχή ή υγρές συνθήκες.** Η διείσδυση νερού σε ένα ηλεκτρικό εργαλείο αυξάνει τον κίνδυνο ηλεκτροπληξίας.
- d. **Μην κακομεταχειρίζεστε το καλώδιο.** **Μη χρησιμοποιείτε ποτέ το καλώδιο για τη μεταφορά, το τράβηγμα ή την αποσύνδεση του ηλεκτρικού εργαλείου.** Κρατήστε το καλώδιο μακριά από θερμότητα, λάδι, αιχμηρές άκρες ή κινούμενα μέρη. Τα κατεστραμμένα ή υπερδεμένα καλώδια αυξάνουν τον κίνδυνο ηλεκτροπληξίας.
- e. **Όταν χρησιμοποιείτε ένα ηλεκτρικό εργαλείο σε εξωτερικό χώρο, χρησιμοποιήστε ένα καλώδιο επέκτασης κατάλληλο για εξωτερική χρήση.** Η χρήση καλωδίου κατάλληλου για εργασία σε εξωτερικούς χώρους μειώνει τον κίνδυνο ηλεκτροπληξίας.
- f. **Εάν η λειτουργία ενός ηλεκτρικού εργαλείου σε υγρό μέρος είναι αναπόφευκτη, χρησιμοποιήστε μια προστατευμένη τροφοδοσία συσκευής υπολειπόμενου ρεύματος (RCD).** Η χρήση RCD μειώνει τον κίνδυνο ηλεκτροπληξίας.

3. Προσωπική ασφάλεια

- a. **Μείνετε σε εγρήγορση, παρακολουθήστε τι κάνετε και χρησιμοποιήστε την κοινή λογική όταν χειρίζεστε ένα ηλεκτρικό εργαλείο.** **Μη χρησιμοποιείτε ηλεκτρικό εργαλείο ενώ είστε κουρασμένοι ή υπό την επήρεια ναρκωτικών, αλκοόλ ή φαρμάκων.** Μια στιγμή απροσεξίας κατά τη λειτουργία των ηλεκτρικών εργαλείων μπορεί να οδηγήσει σε σοβαρό προσωπικό τραυματισμό.
- b. **Να χρησιμοποιείτε πάντα ατομικό προστατευτικό εξοπλισμό.** Ο κίνδυνος τραυματισμών μειώνεται όταν χρησιμοποιείτε ατομικό εξοπλισμό προστασίας όπως προστατευτικό ματιών, μάσκα προστασίας από σκόνη, αντιολισθητικά παπούτσια ασφαλείας, κράνος και/ή προστατευτικά ακοής για τις κατάλληλες συνθήκες.
- γ. **Αποτρέπετε αθέλητη έναρξη λειτουργίας.** **Βεβαιωθείτε ότι ο διακόπτης είναι στη θέση off πριν συνδέσετε την πηγή τροφοδοσίας ή/και την μπαταρία, προτού σηκώσετε ή μεταφέρετε το εργαλείο.** Η μεταφορά ηλεκτρικών εργαλείων με το δάχτυλό σας στον διακόπτη ή η ενεργοποίηση ηλεκτρικών εργαλείων που έχουν ενεργοποιημένο τον διακόπτη προκαλεί ατυχήματα.
- d. **Αφαιρέστε οποιοδήποτε κλειδί ρύθμισης ή κλειδί πριν ενεργοποιήσετε το ηλεκτρικό εργαλείο.** Ένα κλειδί που έχει μείνει συνδεδεμένο σε ένα περιστρεφόμενο μέρος του ηλεκτρικού εργαλείου μπορεί να προκαλέσει τραυματισμό.
- e. **Μην τεντώνετε υπερβολικά.** **Διατηρήστε τη σωστή βάση και την ισορροπία ανά πάσα στιγμή.** Αυτό επιτρέπει καλύτερο έλεγχο του ηλεκτρικού εργαλείου σε απροσδόκητες καταστάσεις.
- f. **Ντυθείτε σωστά.** **Μη φοράτε φαρδιά ρούχα ή κοσμήματα.**

- Κρατάτε τα μαλλιά, τα ρούχα και τα γάντια σας μακριά από κινούμενα μέρη. Τα χαλαρά ρούχα, τα κοσμήματα και τα μακριά μαλλιά μπορούν να πιαστούν σε κινούμενα μέρη.
- g. Εάν παρέχονται συσκευές για τη σύνδεση εγκαταστάσεων εξαγωγής και συλλογής σκόνης, βεβαιωθείτε ότι είναι συνδεδεμένες και χρησιμοποιούνται σωστά. Η χρήση της συλλογής σκόνης μπορεί να μειώσει τους κινδύνους που σχετίζονται με τη σκόνη.
- h. Μην αφήνετε την εξοικείωση που αποκτάται από τη συχνή χρήση των εργαλείων να σας επιτρέπει να εφησυχάζετε και να αγνοείτε τις αρχές ασφάλειας του εργαλείου. Μια απρόσπεκτη ενέργεια μπορεί να προκαλέσει βαρύ τραυματισμό μέσα σε κλάσματα του δευτερολέπτου.
4. Χρήση και φροντίδα ηλεκτρικών εργαλείων
- a. Μην πιέζετε το ηλεκτρικό εργαλείο. Χρησιμοποιήστε το σωστό ηλεκτρικό εργαλείο για την εφαρμογή σας. Το σωστό ηλεκτρικό εργαλείο θα κάνει τη δουλειά καλύτερα και ασφαλέστερα με τον ρυθμό για τον οποίο σχεδιάστηκε.
- β. Μην χρησιμοποιήσετε το ηλεκτρικό εργαλείο αν ο διακόπτης ενεργοποίησης/ απενεργοποίησης δεν το ενεργοποιεί και απενεργοποιεί. Οποιοδήποτε ηλεκτρικό εργαλείο δεν μπορεί να ελεγχθεί με τον διακόπτη ενεργοποίησης/ απενεργοποίησης είναι επικίνδυνο και πρέπει να επισκευαστεί.
- γ. Αφαιρέστε από το ηλεκτρικό εργαλείο το πακέτο μπαταριών, αν είναι αποσπώμενο, και/ή ενεργοποιήστε τυχόν συσκευή απενεργοποίησης της μπαταρίας, πριν απομακρύνετε υλικό που έχει σφηνώσει, πραγματοποιήστε οποιοσδήποτε ρυθμίσεις, αλλάξτε αξεσουάρ, καθαρίσετε ή φυλάξετε ηλεκτρικό εργαλείο. Τέτοια προληπτικά μέτρα ασφαλείας μειώνουν τον κίνδυνο αθλήτης έναρξης λειτουργίας του ηλεκτρικού εργαλείου.
- δ. Φυλάσσετε τα μη χρησιμοποιούμενα ηλεκτρικά εργαλεία μακριά από παιδιά και μην επιτρέπτε να χρησιμοποιούν το ηλεκτρικό εργαλείο πρόσωπα μη εξοικειωμένα με το ηλεκτρικό εργαλείο ή με αυτές τις οδηγίες. Τα ηλεκτρικά εργαλεία είναι επικίνδυνα στα χέρια ανεκπαίδευτων χρηστών.
- e. Συντήρηση ηλεκτρικών εργαλείων και εξαρτημάτων. Ελέγξτε για κακή ευθυγράμμιση ή πρόσδεση κινητών μερών, θραύση εξαρτημάτων και οποιαδήποτε άλλη κατάσταση που μπορεί να επηρεάσει τη λειτουργία των ηλεκτρικών εργαλείων. Εάν έχει υποστεί ζημιά, επισκευάστε το ηλεκτρικό εργαλείο πριν από τη χρήση. Πολλά ατυχήματα προκαλούνται από κακώς συντηρημένα ηλεκτρικά εργαλεία.
- f. Διατηρείτε τα εργαλεία κοπής αιχμηρά και καθαρά. Τα σωστά συντηρημένα εργαλεία κοπής με αιχμηρές ακμές κοπής είναι λιγότερο πιθανό να μπλοκάρουν και είναι πιο εύκολο να ελεγχθούν.
- g. Χρησιμοποιήστε το ηλεκτρικό εργαλείο, τα εξαρτήματα και τις μύτες εργαλείων κ.λπ. σύμφωνα με αυτές τις οδηγίες, λαμβάνοντας υπόψη τις συνθήκες εργασίας και την εργασία που πρέπει να εκτελεστεί. Η χρήση του ηλεκτρικού εργαλείου για λειτουργίες διαφορετικές από αυτές που προορίζονται μπορεί να οδηγήσει σε επικίνδυνη κατάσταση.
- η. Μην τροποποιήσετε το εργαλείο. Οι τροποποιήσεις μπορεί να μειώσουν την αποτελεσματικότητα των μέτρων ασφαλείας και να αυξήσουν τους κινδύνους για τον χειριστή και/ή τους παρευρισκόμενους.
- θ. Διατηρείτε τις λαβές και τις επιφάνειες κρατήματος στεγνές, καθαρές και απαλλαγμένες από λάδι και γράσο. Οι ολισθηρές λαβές και επιφάνειες κρατήματος μπορεί να έχουν σαν συνέπεια μη ασφαλή χειρισμό και/ή απώλεια του ελέγχου του εργαλείου.
- ι. Διατηρείτε τους εύκαμπτους σωλήνες και τα καλώδια μακριά από την περιοχή εργασίας του εργαλείου. Κατά τη λειτουργία, οι εύκαμπτοι σωλήνες και τα ηλεκτρικά καλώδια ενδέχεται να μην φαίνονται και να καταστραφούν κατά λάθος από το εργαλείο.
5. Χρήση και φροντίδα εργαλείου μπαταρίας
- a. Επαναφορτίστε μόνο με τον φορτιστή που καθορίζεται από τον κατασκευαστή. Ένας φορτιστής που είναι κατάλληλος για έναν τύπο μπαταρίας μπορεί να δημιουργήσει κίνδυνο πυρκαγιάς όταν χρησιμοποιείται με άλλη μπαταρία.
- b. Χρησιμοποιείτε ηλεκτρικά εργαλεία μόνο με ειδικά καθορισμένα πακέτα μπαταριών. Η χρήση οποιασδήποτε άλλης μπαταρίας μπορεί να δημιουργήσει κίνδυνο τραυματισμού και πυρκαγιάς.
- c. Όταν η μπαταρία δεν χρησιμοποιείται, κρατήστε την μακριά από άλλα μεταλλικά αντικείμενα, όπως συνδετήρες, κέρματα, κλειδιά, καρφιά, βίδες ή άλλα μικρά μεταλλικά αντικείμενα, που μπορούν να κάνουν σύνδεση από τον έναν ακροδέκτη στον άλλο. Το βραχυκύκλωμα μεταξύ των ακροδεκτών της μπαταρίας μπορεί να προκαλέσει εγκαύματα ή πυρκαγιά.
- d. Υπό καταχρηστικές συνθήκες, μπορεί να εκτοξευθεί υγρό από την μπαταρία. αποφύγετε την επαφή. Αν κατά λάθος έρθει σε επαφή, ξεπλύνετε με νερό. Εάν το υγρό έρθει σε επαφή με τα μάτια, ζητήστε επιπλέον ιατρική βοήθεια. Το υγρό που εκτοξεύεται από την μπαταρία μπορεί να προκαλέσει ερεθισμό ή εγκαύματα.
- e. Μην χρησιμοποιείτε μπαταρία ή εργαλείο που είναι κατεστραμμένο ή τροποποιημένο.

Οι μπαταρίες που έχουν υποστεί ζημιά ή τροποποίηση μπορεί να έχουν απρόβλεπτη συμπεριφορά, με αποτέλεσμα φωτιά, έκρηξη ή κίνδυνο τραυματισμού.

- στ. Μην εκθέσετε ένα πακέτο μπαταριών ή εργαλείο σε φωτιά ή υπερβολική θερμοκρασία.** Η έκθεση σε φωτιά ή σε θερμοκρασία πάνω από 130 °C μπορεί να προκαλέσει έκρηξη. ΣΗΜΕΙΩΣΗ: Η θερμοκρασία "130 °C" μπορεί να αντικατασταθεί από τη θερμοκρασία "265 °F".
- ζ. Πρέπει όλες τις οδηγίες φόρτισης και μη φορτίζετε το πακέτο μπαταριών ή το εργαλείο εκτός των ορίων θερμοκρασίας που ορίζονται στις προδιαγραφές.** Η ακατάλληλη φόρτιση ή η φόρτιση σε θερμοκρασίες εκτός των προβλεπόμενων ορίων μπορεί να προξενήσει ζημιά στην μπαταρία και να αυξήσει τον κίνδυνο φωτιάς.
- η. Ποτέ μη βυθίσετε το εργαλείο ή το πακέτο μπαταριών σε νερό.** Η βύθιση σε νερό αυξάνει τον κίνδυνο υπερθέρμανσης, φωτιάς και/ή έκρηξης, που μπορεί να έχει ως συνέπεια τραυματισμό σας και υλικές ζημιές.
- θ. Ποτέ μην εκθέσετε το εργαλείο ή το πακέτο μπαταριών σε διαβρωτικά ή αγώγιμα υγρά, όπως θαλάσσινο νερό, βιομηχανικά χημικά, χλωρίνη ή προϊόντα που περιέχουν χλωρίνη κλπ.** Η είσοδος στο εργαλείο διαβρωτικών ή αγώγιμων υγρών αυξάνει τον κίνδυνο υπερθέρμανσης, φωτιάς και/ή έκρηξης, που μπορεί να έχει σαν συνέπεια τραυματισμό και υλικές ζημιές.
- 6. Σέρβις**
- a. Αναθέστε το σέρβις του ηλεκτρικού σας εργαλείου σε εξειδικευμένο επισκευαστή χρησιμοποιώντας μόνο πανομοιότυπα ανταλλακτικά.** Έτσι θα εξασφαλίσετε τη διατήρηση της ασφάλειας του ηλεκτρικού εργαλείου.
- b. Μην επισκευάζετε ποτέ κατεστραμμένες μπαταρίες.** Το σέρβις των πακέτων μπαταριών πρέπει να γίνεται μόνο από τον κατασκευαστή ή από εξουσιοδοτημένους παρόχους σέρβις.

Οδηγίες ασφαλείας για όλες τις εργασίες

- ◆ **Φοράτε προστατευτικά ακοής κατά την κρουστική διάτρηση.** Η έκθεση σε θόρυβο μπορεί να προκαλέσει απώλεια ακοής.
- ◆ **Συγκρατήστε σωστά το εργαλείο πριν τη χρήση.** Αυτό το εργαλείο παράγει υψηλή ροπή εξόδου και αν δεν συγκρατείτε σωστά το εργαλείο κατά τη λειτουργία, μπορεί να προκύψει απώλεια ελέγχου με αποτέλεσμα τραυματισμό.
- ◆ **Κρατάτε το ηλεκτρικό εργαλείο από μονωμένες επιφάνειες λαβής όταν εκτελείτε μια εργασία όπου το αζεσουάρ κοπής μπορεί να έρθει σε επαφή με αθάατα καλώδια.** Αν αζεσουάρ κοπής έρθει σε επαφή με καλώδιο υπό τάση, μπορεί να τεθούν υπό ηλεκτρική τάση και να εκτεθειμένα μεταλλικά μέρη του ηλεκτρικού εργαλείου και να προκληθεί ηλεκτροπληξία στον χειριστή.

Οδηγίες ασφαλείας κατά τη χρήση τρυπανιών μεγάλου μήκους

- ◆ **Ποτέ μη χρησιμοποιείτε ταχύτητα υψηλότερη από τη μέγιστη ονομαστική ταχύτητα του τρυπανιού.** Σε υψηλότερες ταχύτητες, το τρυπάνι είναι πιθανό να λυγίσει αν επιτραπεί να περιστραφεί ελεύθερα χωρίς να είναι σε επαφή με το αντικείμενο εργασίας, με αποτέλεσμα τραυματισμό.
- ◆ **Πάντα ξεκινάτε τη διάτρηση σε χαμηλή ταχύτητα και με τη μύτη του τρυπανιού σε επαφή με το αντικείμενο εργασίας.** Σε υψηλότερες ταχύτητες, το τρυπάνι είναι πιθανό να λυγίσει αν επιτραπεί να περιστραφεί ελεύθερα χωρίς να είναι σε επαφή με το αντικείμενο εργασίας, με αποτέλεσμα τραυματισμό.
- ◆ **Εφαρμόστε πίεση μόνο σε ευθεία γραμμή με το εξάρτημα εργασίας και μην ασκείτε υπερβολική πίεση.** Τα τρυπάνια μπορεί να λυγίσουν προκαλώντας θραύση ή απώλεια του ελέγχου, με αποτέλεσμα τραυματισμό.

Πρόσθετες προειδοποιήσεις ασφαλείας για δράπανο/ δραπανοκατάσβιδο/ κρουστικό δράπανο

- ◆ **Χρησιμοποιείτε σφιγκτήρες ή άλλον πρακτικό τρόπο για να στερεώνετε και να υποστηρίζετε το αντικείμενο εργασίας σε σταθερό υπόβαθρο.** Το να κρατάτε την εργασία με το χέρι ή κόντρα στο σώμα σας είναι ασταθές και μπορεί να οδηγήσει σε απώλεια ελέγχου.
- ◆ **Τα αζεσουάρ και το εργαλείο μπορεί να αποκτήσουν υψηλή θερμοκρασία κατά τη λειτουργία.** Φοράτε γάντια όταν τα χειρίζεστε, αν εκτελείτε εργασίες κατά τις οποίες παράγεται θερμότητα όπως η διάτρηση μετάλλων.
- ◆ **Τα ανοίγματα αερισμού συχνά καλύπτουν κινούμενα μέρη και θα πρέπει να αποφεύγονται.** Τα χαλαρά ρούχα, τα κοσμήματα και τα μακριά μαλλιά μπορούν να τιαστούν σε κινούμενα μέρη.
- ◆ **Φοράτε γυαλιά ασφαλείας ή άλλη προστασία των ματιών.** Οι εργασίες κρούσης και διάτρησης προκαλούν την εκτίναξη θραυσμάτων. Τα εκτινασσόμενα σωματίδια μπορούν να προκαλέσουν μόνιμη βλάβη στα μάτια.
- ◆ **Φοράτε προστατευτικά ακοής κατά την κρουστική διάτρηση.** Η έκθεση σε θόρυβο μπορεί να προκαλέσει απώλεια ακοής.
- ◆ **Χρησιμοποιείτε τη(τις) βοηθητική(ές) λαβή(ές), αν παρέχεται(ονται) μαζί με το εργαλείο.** Η απώλεια ελέγχου μπορεί να προκαλέσει τραυματισμό.
- ◆ **Μη χρησιμοποιείτε αυτό το εργαλείο για παρατεταμένα χρονικά διαστήματα.** Οι κραδασμοί που προκαλούνται από τη δράση του εργαλείου μπορεί να είναι επιβλαβείς για το άνω και κάτω τμήμα των χεριών σας. Χρησιμοποιήστε γάντια για να προσφέρετε επιπλέον απόρροση και να περιορίσετε την έκθεση κάνοντας συχνές περιόδους ανάπαυσης.

Πρόσθετες προειδοποιήσεις ασφαλείας για ηλεκτρικά εργαλεία



Προειδοποίηση! Πρόσθετες προειδοποιήσεις ασφαλείας για κρουστικά δράπανα

- ◆ **Χρησιμοποιείτε τις βοηθητικές λαβές που παρέχονται με το εργαλείο.** Η απώλεια ελέγχου μπορεί να προκαλέσει τραυματισμό.
- ◆ **Κρατάτε το ηλεκτρικό εργαλείο από μονωμένες επιφάνειες λαβής όταν εκτελείτε μια εργασία όπου το αξεσουάρ κοπής μπορεί να έρθει σε επαφή με αθέατα καλώδια.** Αν αξεσουάρ κοπής έρθει σε επαφή με καλώδιο υπό τάση, μπορεί να τεθούν υπό ηλεκτρική τάση και τα εκτεθειμένα μεταλλικά μέρη του ηλεκτρικού εργαλείου και να προκληθεί ηλεκτροπληξία στον χειριστή.
- ◆ **Κρατάτε το ηλεκτρικό εργαλείο από μονωμένες επιφάνειες συγκράτησης όταν εκτελείτε μια εργασία κατά την οποία το στοιχείο στερέωσης μπορεί να έρθει σε επαφή με αθέατα καλώδια.** Αν στοιχεία στερέωσης έρθουν σε επαφή με καλώδιο υπό τάση, μπορεί να τεθούν υπό ηλεκτρική τάση και τα εκτεθειμένα μεταλλικά μέρη του ηλεκτρικού εργαλείου και να προκληθεί ηλεκτροπληξία στον χειριστή.
- ◆ **Χρησιμοποιείτε σφικτήρες ή άλλο πρακτικό τρόπο για να στερεώσετε και να στηρίξετε το αντικείμενο εργασίας σε ένα σταθερό υπόβαθρο.** Το να κρατάτε την εργασία με το χέρι ή κόντρα στο σώμα σας είναι ασταθές και μπορεί να οδηγήσει σε απώλεια ελέγχου.
- ◆ Πριν τρυπήσετε σε τοίχους, δάπεδα ή οροφές, ελέγξτε τη θέση των καλωδίων και των σωλήνων.
- ◆ Αποφύγετε να αγγίξετε την άκρη ενός τρυπανιού αμέσως μετά το τρύπημα, καθώς μπορεί να είναι ζεστό.
- ◆ Η προβλεπόμενη χρήση περιγράφεται στο παρόν εγχειρίδιο οδηγιών. Η χρήση οποιοδήποτε αξεσουάρ ή εξαρτήματος ή η εκτέλεση οποιασδήποτε λειτουργίας με αυτό το εργαλείο, εκτός από αυτές που συνιστώνται σε αυτό το εγχειρίδιο οδηγιών, ενδέχεται να εγκυμονεί κίνδυνο τραυματισμού ή/και υλικών ζημιών.

Ασφάλεια άλλων

- ◆ Αυτό το εργαλείο δεν προορίζεται για χρήση από άτομα (στα οποία περιλαμβάνονται και τα παιδιά) με μειωμένες φυσικές, αισθητηριακές ή διανοητικές ικανότητες ή άτομα χωρίς εμπειρία και γνώσεις, παρά μόνο εφόσον επιτηρούνται ή τους έχουν δοθεί οδηγίες σχετικά με τη χρήση του εργαλείου, από άτομο υπεύθυνο για την ασφάλειά τους.
- ◆ Τα παιδιά θα πρέπει να επιβλέπονται για να διασφαλίζεται ότι δεν παίζουν με τη συσκευή.

Υπολειπόμενοι κίνδυνοι

Ενδέχεται να προκύψουν πρόσθετοι υπολειπόμενοι κίνδυνοι κατά τη χρήση του εργαλείου, οι οποίοι ενδέχεται να μην περιλαμβάνονται στις συνημμένες προειδοποιήσεις ασφαλείας. Αυτοί οι κίνδυνοι μπορεί να προκύψουν από κακή χρήση, παρατεταμένη χρήση κ.λπ. Ακόμη και με την εφαρμογή των σχετικών κανονισμών ασφαλείας και την εφαρμογή διατάξεων ασφαλείας, ορισμένοι υπολειπόμενοι κίνδυνοι δεν μπορούν να αποφευχθούν. Αυτοί περιλαμβάνουν:

- ◆ Τραυματισμοί που προκαλούνται από το άγγιγμα οποιωνδήποτε περιστρεφόμενων/κινούμενων μερών.
- ◆ Τραυματισμοί που προκαλούνται κατά την αλλαγή εξαρτημάτων, λεπίδων ή αξεσουάρ.
- ◆ Τραυματισμοί που προκαλούνται από παρατεταμένη χρήση ενός εργαλείου. Όταν χρησιμοποιείτε οποιοδήποτε εργαλείο για παρατεταμένες περιόδους, φροντίστε να κάνετε τακτικά διαλείμματα.
- ◆ Βλάβη της ακοής.
- ◆ Κίνδυνοι για την υγεία που προκαλούνται από την αναπνοή σκόνης που αναπτύχθηκε κατά τη χρήση του εργαλείου σας (παράδειγμα: - εργασία με ξύλο, ιδιαίτερα δρυς, οξιά και MDF.)

Θόρυβος και κραδασμοί

Οι δηλωμένες τιμές εκπομπών θορύβου και κραδασμών που αναφέρονται στα τεχνικά χαρακτηριστικά και στη δήλωση συμμόρφωσης έχει μετρηθεί σύμφωνα με τυποποιημένη μέθοδο δοκιμής που παρέχεται από το πρότυπο EN 62841 και μπορεί να χρησιμοποιηθεί για τη σύγκριση ενός εργαλείου με ένα άλλο. Η δηλωμένη τιμή εκπομπών θορύβου και κραδασμών μπορεί επίσης να χρησιμοποιηθεί σε έναν προκαταρκτικό προσδιορισμό της έκθεσης.

Προειδοποίηση! Στην πράξη, η τιμή εκπομπών θορύβου και κραδασμών κατά τη χρήση του ηλεκτρικού εργαλείου μπορεί να διαφέρει από την τιμή που δηλώθηκε, ανάλογα με τους τρόπους χρήσης του εργαλείου. Το επίπεδο κραδασμών μπορεί να αυξηθεί πάνω από το επίπεδο που έχει δηλωθεί. Κατά την αξιολόγηση της έκθεσης σε κραδασμούς για τον καθορισμό των μέτρων ασφαλείας που απαιτούνται από την 2002/44/ΕΚ για την προστασία των ατόμων που χρησιμοποιούν τακτικά ηλεκτρικά εργαλεία στην εργασία, θα πρέπει να λαμβάνεται υπόψη η εκτίμηση της έκθεσης σε κραδασμούς, οι πραγματικές συνθήκες χρήσης και ο τρόπος χρήσης του εργαλείου, συμπεριλαμβανομένης της όλα τα μέρη του κύκλου λειτουργίας, όπως οι χρόνοι που το εργαλείο είναι απενεργοποιημένο και όταν λειτουργεί σε αδράνεια, επιπλέον του χρόνου ενεργοποίησης.

Ετικέτες πάνω στο εργαλείο

Τα ακόλουθα σύμβολα εμφανίζονται στο εργαλείο μαζί με τον κωδικό ημερομηνίας:



Προειδοποίηση! Για να μειωθεί ο κίνδυνος τραυματισμού, ο χρήστης πρέπει να διαβάσει το εγχειρίδιο οδηγιών.



Μην κοιτάζετε απ' ευθείας τη λάμπα όταν είναι σε λειτουργία

Πρόσθετες οδηγίες ασφαλείας για μπαταρίες και φορτιστές

Μπαταρίες

- ◆ Μην επιχειρήσετε ποτέ να ανοίξετε για κανένα λόγο.
- ◆ Μην εκθέσετε την μπαταρία σε νερό.
- ◆ Μη φυλάσσετε μπαταρίες σε μέρη όπου η θερμοκρασία μπορεί να υπερβεί τους 40 °C.
- ◆ Φορτίζετε μόνο σε θερμοκρασίες περιβάλλοντος μεταξύ 10 °C και 40 °C.
- ◆ Φορτίστε μόνο χρησιμοποιώντας το φορτιστή που παρέχεται με το εργαλείο.
- ◆ Κατά την απόρριψη των μπαταριών, ακολουθήστε τις οδηγίες που δίνονται στην ενότητα "Προστασία του περιβάλλοντος".



Μην επιχειρήσετε να φορτίσετε μπαταρίες που έχουν υποστεί ζημιά.

- ◆ Μην προξενήσετε ζημιά/ παραμορφώσετε το πακέτο μπαταριών είτε με τρύπημα είτε με χτύπημα, επειδή κάτι τέτοιο μπορεί να δημιουργήσει κίνδυνο τραυματισμού και πυρκαγιάς.
- ◆ Κάτω από ακραίες συνθήκες, μπορεί να επέλθει διαρροή υγρών μπαταρίας. Αν παρατηρήσετε υγρό πάνω στις μπαταρίες, σκουπίστε το προσεκτικά με ένα πανί. Αποφύγετε την επαφή με το δέρμα.
- ◆ Σε περίπτωση επαφής με το δέρμα ή τα μάτια, ακολουθήστε τις παρακάτω οδηγίες.

Προειδοποίηση! Το υγρό της μπαταρίας μπορεί να προκαλέσει προσωπικό τραυματισμό ή ζημιά στην ιδιοκτησία. Σε περίπτωση επαφής με το δέρμα, ξεπλύνετε αμέσως με άφθονο νερό. Αν παρουσιαστεί κοκκίνισμα του δέρματος, πόνος ή ερεθισμός, ζητήστε ιατρική βοήθεια. Σε περίπτωση επαφής με τα μάτια, ξεπλύνετε αμέσως με καθαρό νερό και αναζητήστε ιατρική βοήθεια.

Φορτιστές

Ο φορτιστής σας έχει σχεδιαστεί για συγκεκριμένη τάση. Ελέγχετε πάντα ότι η τάση δικτύου αντιστοιχεί στην τάση στην πινακίδα τεχνικών χαρακτηριστικών.

Προειδοποίηση! Μην επιχειρήσετε ποτέ να αντικαταστήσετε τη μονάδα φορτιστή με ένα κανονικό φως ρεύματος.

- ◆ Ο φορτιστής BLACK+DECKER πρέπει να χρησιμοποιείται αποκλειστικά και μόνο για τη φόρτιση της μπαταρίας που συνόδευε το εργαλείο.

Άλλες μπαταρίες ενδέχεται να εκραγούν, προκαλώντας τραυματισμό ατόμων και ζημιές.

- ◆ Μην επιχειρήσετε ποτέ να φορτίσετε μη επαναφορτιζόμενες μπαταρίες.
- ◆ Αν το καλώδιο ρεύματος έχει υποστεί ζημιά, πρέπει να αντικατασταθεί από τον κατασκευαστή ή από ένα εξουσιοδοτημένο Κέντρο Σέρβις, για την αποφυγή κινδύνου.
- ◆ Αντικαταστήστε αμέσως τα ελαττωματικά καλώδια.
- ◆ Μην εκθέτετε το φορτιστή σε νερό.
- ◆ Μην ανοίγετε τον φορτιστή.
- ◆ Μην εξετάζετε τον φορτιστή.
- ◆ Η συσκευή/εργαλείο/μπαταρία πρέπει να τοποθετείται σε καλά αεριζόμενο χώρο κατά τη φόρτιση.



Ο φορτιστής προορίζεται για χρήση μόνο σε εσωτερικούς χώρους.



Διαβάστε το εγχειρίδιο οδηγιών πριν τη χρήση.

Ασφάλεια χρήσης ηλεκτρικού ρεύματος



Ο φορτιστής σας φέρει διπλή μόνωση. Επομένως, δεν απαιτείται αγωγός γείωσης. Ελέγχετε πάντα ότι η τάση δικτύου αντιστοιχεί στην τάση στην πινακίδα τεχνικών χαρακτηριστικών. Μην επιχειρήσετε ποτέ να αντικαταστήσετε τη μονάδα φορτιστή με ένα κανονικό φως ρεύματος.

- ◆ Αν το καλώδιο ρεύματος έχει υποστεί ζημιά, πρέπει να αντικατασταθεί από τον κατασκευαστή ή από ένα εξουσιοδοτημένο Κέντρο Σέρβις BLACK+DECKER, για την αποφυγή κινδύνου.

Χαρακτηριστικά

Αυτό το εργαλείο περιλαμβάνει ορισμένες ή όλες τις παρακάτω δυνατότητες.

1. Διακόπτης ρύθμισης ταχύτητας
2. Ρυθμιστικό εμπρός/πίσω
3. Κολάρο ρύθμισης ροπής
4. Αυτόματο τσος
5. Γρανάζια διπλής εμβέλειας
6. Φως εργασίας LED
7. Άγκιστρο ζώνης (διατίθεται με όλες τις μονάδες)
8. Μπαταρία
9. Κουμπί απελευθέρωσης μπαταρίας

Συναρμολόγηση

Χρήση

Προειδοποίηση! Αφήστε το εργαλείο να λειτουργήσει με τον δικό του ρυθμό. Μην το υπερφορτώνετε.

Φόρτιση της μπαταρίας (εικ. A1, A2)

Η μπαταρία πρέπει να φορτιστεί πριν από την πρώτη χρήση και όποτε δεν παράγει επαρκή ισχύ σε εργασίες που έγιναν εύκολα πριν. Η μπαταρία μπορεί να θερμαίνεται κατά τη φόρτιση. Κάτι τέτοιο είναι φυσιολογικό και δεν υποδηλώνει πρόβλημα.

Προειδοποίηση! Μη φορτίζετε την μπαταρία σε θερμοκρασίες περιβάλλοντος κάτω από 10 °C ή πάνω από 40 °C. Η συνιστώμενη θερμοκρασία φόρτισης είναι περίπου 24 °C.

Σημείωση: Ο φορτιστής δεν θα φορτίσει μια μπαταρία με θερμοκρασία στοιχείων κάτω από περίπου 10 °C ή πάνω από 40 °C.

Η μπαταρία πρέπει να μείνει στο φορτιστή και ο φορτιστής θα αρχίσει να φορτίζεται αυτόματα όταν η θερμοκρασία του στοιχείου ζεσταθεί ή κρυώσει.

- ◆ Συνδέστε τον φορτιστή (10) σε οποιαδήποτε κανονική πρίζα 230 V 50 Hz.
- ◆ Εισάγετε το πακέτο μπαταριών (8) στον φορτιστή όπως δείχνει η εικ. A1, A2.

Η λυχνία LED (10a) θα αναβοσβήνει υποδεικνύοντας ότι η μπαταρία φορτίζεται.

Η ολοκλήρωση της φόρτισης υποδεικνύεται από τη λυχνία LED (10a) η οποία παραμένει αναμμένη συνεχώς. Η μπαταρία είναι πλήρως φορτισμένη και μπορεί να χρησιμοποιηθεί αυτή τη στιγμή ή να παραμείνει στον φορτιστή.

Προειδοποίηση! Κίνδυνος πυρκαγιάς. Όταν αφαιρείτε την μπαταρία από τον φορτιστή, βεβαιωθείτε ότι πρώτα αφαιρείτε τον φορτιστή από την πρίζα, και κατόπιν την μπαταρία από τον φορτιστή.

Διαγνωστικά φορτιστή

Αυτός ο φορτιστής έχει σχεδιαστεί ώστε να ανιχνεύει ορισμένα προβλήματα που μπορούν να προκύψουν με πακέτα μπαταριών ή με την πηγή ρεύματος. Τα προβλήματα υποδεικνύονται από μια λυχνία LED που αναβοσβήνει με διαφορετικά μοτίβα αναλαμπών.

Προβληματική μπαταρία

Ο φορτιστής μπορεί να ανιχνεύσει ότι μια μπαταρία είναι εξασθενημένη ή έχει υποστεί ζημιά. Η λυχνία LED αναβοσβήνει με το μοτίβο αναλαμπών που υποδεικνύεται στην ετικέτα. Αν δείτε αυτό το μοτίβο αναλαμπών που αντιστοιχεί σε προβληματική μπαταρία, μη συνεχίσετε τη φόρτιση της μπαταρίας. Επιστρέψτε την σε κέντρο σέρβις ή σε θέση συλλογής για ανακύκλωση.

Καθυστέρηση θερμού/ ψυχρού πακέτου μπαταριών

Αν ο φορτιστής ανιχνεύσει μπαταρία με υπερβολικά υψηλή ή χαμηλή θερμοκρασία, ξεκινά αυτόματα μια Καθυστέρηση θερμού/ψυχρού πακέτου μπαταριών, αναστέλλοντας τη φόρτιση έως ότου η μπαταρία έχει φθάσει σε κατάλληλη θερμοκρασία. Αφού συμβεί αυτό, ο φορτιστής μεταβαίνει αυτόματα σε λειτουργία φόρτισης του πακέτου. Αυτή η λειτουργία διασφαλίζει τη μέγιστη διάρκεια ζωής της μπαταρίας. Η λυχνία αναβοσβήνει με το μοτίβο αναλαμπών που υποδεικνύεται στην ετικέτα.

Αφήνοντας την μπαταρία στον φορτιστή

Ο φορτιστής και το πακέτο μπαταριών μπορούν να παραμείνουν συνδεδεμένα επ' αόριστον με τη λυχνία LED αναμμένη. Ο φορτιστής θα διατηρήσει τη μπαταρία φρέσκια και πλήρως φορτισμένη.

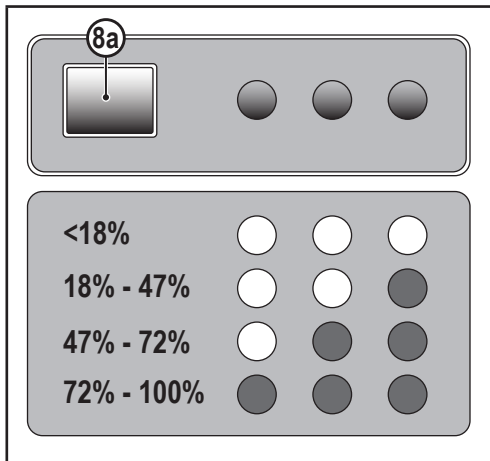
Σημαντικές επισημάνσεις για τη φόρτιση

- ◆ Μπορείτε να επιτύχετε την καλύτερη δυνατή διάρκεια ζωής και τη μέγιστη απόδοση εάν φορτίζετε το πακέτο μπαταριών σε θερμοκρασία 18 °C – 24 °C. ΜΗ φορτίσετε το πακέτο μπαταριών σε θερμοκρασίες αέρα που είναι μικρότερες από +4,5 °C ή μεγαλύτερες από +40 °C. Αυτό είναι σημαντικό και θα αποτρέψει τη σοβαρή βλάβη του πακέτου μπαταριών.
- ◆ Ο φορτιστής και το πακέτο μπαταριών μπορεί να θερμανθούν αισθητά κατά τη φόρτιση. Αυτό είναι κανονικό, δεν είναι ένδειξη προβλήματος. Για να διευκολύνετε την ψύξη του πακέτου μπαταριών μετά τη χρήση, αποφεύγετε να τοποθετείτε τον φορτιστή ή το πακέτο μπαταριών σε θερμό περιβάλλον, όπως σε μεταλλικό παράπηγμα ή σε μη μονωμένο τρέιλερ.
- ◆ Αν το πακέτο μπαταριών δεν φορτίζεται σωστά:
 - ◆ Ελέγξτε τη λειτουργία της πρίζας συνδέοντας ένα φωτιστικό ή μια άλλη συσκευή.
 - ◆ Ελέγξτε αν η πρίζα συνδέεται με διακόπτη φώτων που απενεργοποιεί την τροφοδοσία όταν σβήνεται τα φώτα.
 - ◆ Μετακινήστε τον φορτιστή και το πακέτο μπαταριών σε θέση όπου η θερμοκρασία αέρα περιβάλλοντος είναι περίπου 18 °C – 24 °C.
 - ◆ Αν τα προβλήματα φόρτισης επιμένουν, παραδώστε το εργαλείο, το πακέτο μπαταριών και τον φορτιστή στο τοπικό σας κέντρο σέρβις.
- ◆ Το πακέτο μπαταριών πρέπει να επαναφορτίζεται όταν δεν είναι σε θέση να παράγει επαρκή ισχύ σε εργασίες που γίνοντουσαν εύκολα πιο πριν. ΜΗΝ ΣΥΝΕΧΙΣΕΤΕ να χρησιμοποιείτε υπό αυτές τις συνθήκες. Ακολουθήστε τη διαδικασία φόρτισης. Μπορείτε επίσης να φορτίσετε ένα μερικώς χρησιμοποιημένο πακέτο όποτε το επιθυμείτε χωρίς αρνητικές επιπτώσεις στο πακέτο μπαταριών.

- ◆ Ξένα υλικά αγωγίμου χαρακτήρα, όπως, ενδεικτικά, η σκόνη λείανσης, τα μεταλλικά ροκανίδια, το χαλύβδινο σύρμα, το φύλλο αλουμινίου ή οποιαδήποτε συσσώρευση μεταλλικών σωματιδίων θα πρέπει να φυλάσσονται μακριά από τις κοιλότητες του φορτιστή. Αποσυνδέστε τον φορτιστή πριν επιχειρήσετε να τον καθαρίσετε.
- ◆ Μην αφήσετε το τροφοδοτικό να παγώσει και μην το βυθίσετε σε νερό ή οποιοδήποτε άλλο υγρό.

Ένδειξη κατάστασης φόρτισης μπαταρίας (Εικ. Β)

Η μπαταρία περιλαμβάνει μια ένδειξη κατάστασης φόρτισης για να προσδιορίσετε γρήγορα την έκταση της διάρκειας ζωής της μπαταρίας, όπως φαίνεται στην εικόνα Β. Πατώντας το κουμπί κατάστασης φόρτισης (8α) μπορείτε εύκολα να δείτε τη φόρτιση που απομένει στην μπαταρία όπως φαίνεται στην εικόνα Β.



Τοποθέτηση και αφαίρεση του πακέτου μπαταριών από το εργαλείο (εικ. C)

Προειδοποίηση! Πριν την αφαίρεση ή την τοποθέτηση της μπαταρίας, βεβαιωθείτε ότι έχετε χρησιμοποιήσει το κουμπί ασφάλισης (2), για να αποφύγετε ενεργοποίηση του διακόπτη.

Για να εγκαταστήσετε το πακέτο μπαταριών:

- ◆ Εισαγάγετε το πακέτο μπαταριών (8) στο εργαλείο, έως ότου ακούσετε χαρακτηριστικό ήχο κλικ (εικ. C)

Αφαίρεση του πακέτου μπαταριών από το εργαλείο (εικ. C)

- ◆ Πατήστε το κουμπί απελευθέρωσης μπαταρίας (9) όπως δείχνει η (εικ. C) και τραβήξτε το πακέτο μπαταριών έξω από το εργαλείο.

Γάντζος ζώνης (Εικ. D, E)

Προειδοποίηση! Για να μειώσετε τον κίνδυνο σοβαρού τραυματισμού, τοποθετήστε το κουμπί εμπρός/πίσω στη θέση κλειδώματος ή απενεργοποιήστε το εργαλείο και αποσυνδέστε την μπαταρία πριν κάνετε οποιοδήποτε ρυθμίσεις ή αφαιρέσετε/τοποθετήσετε εξαρτήματα ή αξεσουάρ. Μια τυχαία εκκίνηση μπορεί να προκαλέσει τραυματισμό.

Προειδοποίηση! Για να μειώσετε τον κίνδυνο σοβαρού τραυματισμού, χρησιμοποιήστε MONO τον γάντζο ζώνης του εργαλείου (7) για να κρεμάσετε το εργαλείο από μια ζώνη εργασίας. ΜΗ χρησιμοποιείτε τον γάντζο ζώνης (7) για τη σύνδεση ή τη στερέωση του εργαλείου σε άτομο ή αντικείμενο κατά τη χρήση. ΜΗ αναρτάτε το εργαλείο σε υπερυψωμένες θέσεις και μην αναρτάτε αντικείμενα από το άγκιστρο ζώνης.

Προειδοποίηση! Για να μειώσετε τον κίνδυνο σοβαρού τραυματισμού, να βεβαιωθείτε ότι είναι καλά στερεωμένη η βίδα (11) που συγκρατεί το άγκιστρο ζώνης.

Σημείωση: Όταν προσαρτάτε ή αντικαθιστάτε το άγκιστρο ζώνης (7), χρησιμοποιείτε μόνο την παρεχόμενη βίδα (11). Βεβαιωθείτε ότι έχετε σφίξει καλά τη βίδα.

Το άγκιστρο ζώνης (7) μπορεί να προσαρτηθεί με εισαγωγή του στις σχισμές (13) σε οποιαδήποτε από τις δύο πλευρές του εργαλείου με χρήση μόνο της παρεχόμενης βίδας (11), για ευκολία χρήσης από αριστερόχειρες ή δεξιόχειρες χρήστες. Αν δεν θέλετε τον γάντζο ζώνης, μπορεί να αφαιρεθεί από το εργαλείο.

Για να μετακινήσετε τον γάντζο ζώνης, αφαιρέστε τη βίδα (11) που συγκρατεί τον γάντζο ζώνης (7) στη θέση του και, στη συνέχεια, συναρμολογήστε ξανά στην αντίθετη πλευρά. Βεβαιωθείτε ότι έχετε σφίξει καλά τη βίδα (11).

Οδηγίες λειτουργίας

Διακόπτης τύπου σκανδάλης και κουμπί αντιστροφής περιστροφής (εικ. F)

- ◆ Ενεργοποιείτε και απενεργοποιείτε το δράπανο πατώντας και αφήνοντας αντίστοιχα τον διακόπτη τύπου σκανδάλης (1). Όσο περισσότερο πατάτε τη σκανδάλη, τόσο μεγαλύτερη είναι η ταχύτητα του δρανάου.
- ◆ Ένα κουμπί ελέγχου περιστροφής εμπρός/όπισθεν (2) καθορίζει την κατεύθυνση λειτουργίας του εργαλείου και ταυτόχρονα χρησιμεύει και ως κουμπί ασφάλισης.
- ◆ Για να επιλέξετε περιστροφική κίνηση προς τα εμπρός, απελευθερώστε τον διακόπτη τύπου σκανδάλης και πιέστε προς τα αριστερά το κουμπί ελέγχου περιστροφής εμπρός/όπισθεν.
- ◆ Για να επιλέξετε περιστροφή όπισθεν, πατήστε το κουμπί ελέγχου περιστροφής εμπρός/όπισθεν στην αντίθετη κατεύθυνση.

Σημείωση: Η κεντρική θέση του κουμπιού ελέγχου κλειδώνει το εργαλείο στη θέση απενεργοποίησης.

Όταν αλλάζετε τη θέση του κουμπιού ελέγχου, να βεβαιώνεστε ότι έχει ελευθερωθεί η σκανδάλη.

Έλεγχος της ροπής (εικ. G)

Αυτό το εργαλείο είναι εξοπλισμένο με ένα κολάρο (3) για την επιλογή τρόπου λειτουργίας και για τη ρύθμιση της ροπής, όταν σφίγγετε βίδες. Οι μεγάλες βίδες και τα σκληρά υλικά κατεργασίας απαιτούν υψηλότερη ρύθμιση ροπής από τις μικρές βίδες και τα μαλακά υλικά κατεργασίας.

- ◆ Για διάτρηση σε ξύλο, μέταλλο και πλαστικό, ρυθμίστε το κολάρο στη θέση με το σύμβολο της διάτρησης.
- ◆ Για διάτρηση σε ελαφρού τύπου υλικά τοιχοποιίας, ρυθμίστε το κολάρο στη θέση κρουστικής διάτρησης.
- ◆ Για βίδωμα, θέστε το κολάρο στην επιθυμητή ρύθμιση. Εάν δεν γνωρίζετε ακόμη την κατάλληλη ρύθμιση, προχωρήστε ως εξής:
- ◆ Τοποθετήστε το κολάρο στη χαμηλότερη ρύθμιση ροπής.
- ◆ Σφίξτε την πρώτη βίδα.
- ◆ Αν κατά την προσπάθεια να σφίξετε τη βίδα διαπιστώνετε αντίσταση και δεν επιτυγχάνετε το επιθυμητό αποτέλεσμα, αυξήστε τη ρύθμιση του κολάρου και συνεχίστε να σφίγγετε τη βίδα. Επαναλάβετε μέχρι να επιτύχετε τη σωστή ρύθμιση. Χρησιμοποιήστε την ίδια ρύθμιση και για τις υπόλοιπες βίδες.

Αυτόματο τσοκ (εικ. H)

Προειδοποίηση! Πριν την αφαίρεση ή την τοποθέτηση αξεσουάρ, βεβαιωθείτε ότι έχετε συμπλέξει το κουμπί ασφαλείας (2), για να αποφύγετε ενεργοποίηση του διακόπτη.

Για να τοποθετήσετε ένα τρυπάνι ή άλλο αξεσουάρ:

- ◆ Κρατήστε το εργαλείο με το ένα χέρι και χρησιμοποιήστε το άλλο χέρι για να περιστρέψετε το τσοκ (4) σε αριστερόστροφη κατεύθυνση όπως το βλέπετε από το άκρο του τσοκ.
- ◆ Τοποθετήστε τη μύτη ή άλλο αξεσουάρ τελείως μέσα στο τσοκ και σφίξτε το τσοκ καλά περιστρέφοντάς το δεξιόστροφα όπως φαίνεται από το άκρο τσοκ.

Προειδοποίηση! Μην επιχειρήσετε να σφίξετε τα τρυπάνια (ή οποιοδήποτε άλλο αξεσουάρ) πιάνοντας το τσοκ και ενεργοποιώντας το εργαλείο. Μπορεί να προκληθεί ζημιά στο τσοκ και τραυματισμός σας κατά την αλλαγή αξεσουάρ.

Σύστημα γραναζιών διπλού εύρους ταχυτήτων (Εικόνα I)

Η δυνατότητα διπλού εύρους ταχυτήτων που προσφέρει το δράπανο, σας επιτρέπει να αλλάζετε ταχύτητες για μεγαλύτερη ευελιξία χρήσης. Για να επιλέξετε τη ρύθμιση χαμηλής ταχύτητας, υψηλής ροπής (θέση 1), απενεργοποιήστε το εργαλείο και αφήστε το να σταματήσει. Σύρετε το κουμπί αλλαγής ταχυτήτων (5) μακριά από το τσοκ.

Για να επιλέξετε τη ρύθμιση υψηλής ταχύτητας, χαμηλής ροπής (θέση 2), απενεργοποιήστε το εργαλείο και αφήστε το να σταματήσει.

Σύρετε το κουμπί αλλαγής ταχυτήτων προς το τσοκ.

Σημείωση: Μην αλλάζετε ταχύτητες όταν το εργαλείο λειτουργεί. Αν δυσκολεύεστε στην αλλαγή ταχυτήτων, βεβαιωθείτε ότι το κουμπί διπλού εύρους ταχυτήτων έχει μετακινηθεί είτε τελείως μπροστά είτε τελείως πίσω.

Διάτρηση/βίδωμα

- ◆ Επιλέξτε περιστροφή προς τα εμπρός ή προς τα πίσω χρησιμοποιώντας το ρυθμιστικό εμπρός/πίσω (2).
- ◆ Για να ενεργοποιήσετε το εργαλείο, πιέστε τον διακόπτη (1). Η ταχύτητα λειτουργίας του εργαλείου εξαρτάται από το πόσο πιέσετε τον διακόπτη.
- ◆ Για να απενεργοποιήσετε το εργαλείο, απελευθερώστε τον διακόπτη.

Συμβουλές για βέλτιστη χρήση

Διάτρηση

- ◆ Χρησιμοποιείτε αιχμηρά τρυπάνια και μόνο.
- ◆ Υποστηρίζετε και στερεώνετε σωστά το αντικείμενο εργασίας, όπως υποδεικνύεται στις οδηγίες ασφαλείας.
- ◆ Χρησιμοποιείτε τον κατάλληλο και απαιτούμενο εξοπλισμό ασφαλείας, όπως υποδεικνύεται στις Οδηγίες ασφαλείας.
- ◆ Προστατεύετε και διατηρείτε σε καλή κατάσταση τον χώρο εργασίας, σύμφωνα με τις Οδηγίες ασφαλείας.
- ◆ Ξεκινάτε τη διάτρηση με πολύ μικρή ταχύτητα, χρησιμοποιώντας μόνο μικρή πίεση, έως ότου ξεκινήσει η οπή και επαρκεί να συγκρατεί το τρυπάνι χωρίς να κινδυνεύει να γλιστρήσει έξω από αυτή.
- ◆ Ασκήστε πίεση σε ευθεία γραμμή με το τρυπάνι. Χρησιμοποιήστε αρκετή πίεση για να κρατήσετε τη μύτη να πιάνει, αλλά όχι τόσο ώστε να σταματήσετε τον κινητήρα ή να εκτρέψετε τη μύτη.
- ◆ Κρατήστε το τρυπάνι σταθερά με τα δύο χέρια για να ελέγξετε τη συστορόφη του.
- ◆ ΜΗΝ ΠΙΑΤΑΤΕ ΚΑΙ ΑΦΗΝΕΤΕ ΣΥΝΕΧΩΣ ΤΗ ΣΚΑΝΔΑΛΗ ΕΝΟΣ ΑΚΙΝΗΤΟΠΟΙΗΜΕΝΟΥ ΔΡΑΠΑΝΟΥ ΠΡΟΣΠΑΘΩΝΤΑΣ ΝΑ ΤΟ ΘΕΣΕΤΕ ΠΑΛΙ ΣΕ ΛΕΙΤΟΥΡΓΙΑ. ΜΠΟΡΕΙ ΝΑ ΠΡΟΚΛΗΘΕΙ ΖΗΜΙΑ ΣΤΟ ΔΡΑΠΑΝΟ.
- ◆ Ελαχιστοποιήστε το κόλλημα κατά τη διάτρηση μειώνοντας την πίεση και τρυπώντας αργά το τελευταίο τμήμα της οπής.
- ◆ Διατηρήστε τον κινητήρα σε λειτουργία ενώ τραβάτε τη μύτη από μια τρυπημένη τρύπα. Αυτό θα βοηθήσει στη μείωση της εμπλοκής.
- ◆ Βεβαιωθείτε ότι ο διακόπτης ενεργοποιεί και απενεργοποιεί το δράπανο.

Διάρθρωση σε ξύλο

Οι σπές στο ξύλο μπορούν να γίνουν με τις ίδιες ελικοειδείς μύτες τρυπανιού που χρησιμοποιούνται μέταλλο ή με επίπεδες μύτες. Αυτές οι μύτες θα πρέπει να είναι αιχμηρές και να τις τραβάτε έξω συχνά κατά τη διάρκεια ώστε να φεύγουν τα πριονίδια από τις αυλακώσεις τους.

Διάρθρωση μετάλλου

Χρησιμοποιείτε λιπαντικό κοπής κατά τη διάρθρωση μετάλλων. Εξαιρέσεις είναι ο χυτοσίδηρος και ο ορείχαλκος όπου πρέπει να γίνεται ξηρή διάρθρωση. Τα λιπαντικά κοπής που λειτουργούν καλύτερα είναι το θειωμένο λάδι κοπής ή το λάδι από λαρδί.

Διάρθρωση σε τοιχοποιία

Για διάρθρωση υλικών τοιχοποιίας ρυθμίστε το κολάρο (3) στη θέση κρουστικής διάρθρωσης, ευθυγραμμίζοντας το σύμβολο με την ένδειξη. Μετακινήστε τον επιλογέα ταχύτητας (5) προς το μπροστινό μέρος του εργαλείου (2η ταχύτητα).

Βίδωμα

- ♦ Πάντα χρησιμοποιείτε μύτες κατασαβιδιού του κατάλληλου τύπου και μεγέθους.
- ♦ Εάν οι βίδες σφίγγουν δύσκολα, δοκιμάστε να εφαρμόσετε μια μικρή ποσότητα υγρού πλυσίματος ή σαπουνιού ως λιπαντικό.
- ♦ Πάντα κρατάτε το εργαλείο και τη μύτη κατασαβιδιού σε ευθεία γραμμή με τη βίδα

Αντιμετώπιση προβλημάτων

Πρόβλημα	Πιθανή αιτία	Πιθανή λύση
Η μονάδα δεν τίθεται σε λειτουργία.	Το πακέτο μπαταριών δεν είναι φορτισμένο.	Ελέγξτε τις απαιτήσεις φόρτισης του πακέτου μπαταριών
Το πακέτο μπαταριών δεν φορτίζεται.	Ο φορτιστής δεν έχει συνδεθεί. Η θερμοκρασία αέρα περιβάλλοντος είναι πολύ θερμή ή πολύ ψυχρή.	Συνδέστε τον φορτιστή σε πρίζα που λειτουργεί. Μετακινήστε τον φορτιστή και τη μπαταρία σε θερμοκρασία περιβάλλοντος αέρα πάνω από 40 βαθμούς F (4,5°C) ή κάτω από 105 βαθμούς F (+40,5°C)
Η μονάδα σβήνει ξαφνικά.	Το πακέτο μπαταρίας έχει φθάσει στο όριο μέγιστης θερμοκρασίας του. Εκτός φόρτισης, (Για να μεγιστοποιηθεί η διάρκεια ζωής της μπαταρίας, έχει σχεδιαστεί για να σβήνει απότομα όταν η φόρτιση εξαντληθεί	Αφήστε το πακέτο μπαταρίας να κρυώσει. Τοποθετήστε το στον φορτιστή και αφήστε το να φορτιστεί.

Συντήρηση

Το εργαλείο σας BLACK+DECKER έχει σχεδιαστεί για να λειτουργεί για μεγάλο χρονικό διάστημα με ελάχιστη συντήρηση.

Η συνεχής ικανοποιητική λειτουργία εξαρτάται από τη σωστή φροντίδα του εργαλείου και τον τακτικό καθαρισμό.

Ο φορτιστής σας δεν χρειάζεται καμία συντήρηση εκτός από τον τακτικό καθαρισμό.

Προειδοποίηση! Πριν πραγματοποιήσετε οποιαδήποτε συντήρηση στο εργαλείο, αφαιρέστε την μπαταρία από το εργαλείο. Αποσυνδέστε τον φορτιστή πριν τον καθαρίσετε.

- ♦ Καθαρίζετε τακτικά τις υποδοχές αερισμού του εργαλείου και του φορτιστή σας χρησιμοποιώντας μια μαλακή βούρτσα ή στεγνό πανί.
- ♦ Καθαρίζετε τακτικά το περίβλημα του κινητήρα χρησιμοποιώντας ένα υγρό πανί. Μη χρησιμοποιείτε καθαριστικά που χαράζουν ή περιέχουν διαλύτες.
- ♦ Ανοίξτε τακτικά το τσοκ και χτυπήστε το για να αφαιρέσετε τυχόν σκόνη από το εσωτερικό.

Προστασία του περιβάλλοντος



Ξεχωριστή συλλογή. Τα προϊόντα και οι μπαταρίες που επισημαίνονται με αυτό το σύμβολο δεν πρέπει να απορρίπτονται μαζί με τα κανονικά οικιακά απορρίμματα.

Τα προϊόντα και οι μπαταρίες περιέχουν υλικά που μπορούν να ανακτηθούν ή να ανακυκλωθούν ώστε να μειωθούν οι ανάγκες για πρώτες ύλες. Παρακαλούμε να ανακυκλώνετε τα ηλεκτρικά προϊόντα και τις μπαταρίες σύμφωνα με τους τοπικούς κανονισμούς. Περισσότερες πληροφορίες διατίθενται στον ιστότοπο www.2helpU.com

Τεχνικά χαρακτηριστικά

		BLD683 Τύπος 1
Τάση	V_{DC}	18
Στροφές χωρίς φορτίο	min^{-1}	0 - 450 / 0 - 1800
Μέγ. ροπή	Nm	50
Μέγεθος τσοκ	mm	2-13
Μέγιστη ικανότητα διάρθρωσης σε χάλυβα/ ξύλο/ υλικά τοιχοποιίας	mm	13/30/10
Βάρος	kg	1,1 kg (χωρίς μπαταρία)

Φορτιστής		905902**	N517390
Τάση εισόδου	V_{AC}	230	230
Τάση εξόδου	V_{DC}	18	18
Ρεύμα	mA	400	1000
Χρόνος φόρτισης περ.	Ωρες	3 - 6,5	1,5 - 2,5

Μπαταρία		BDL1518*	BDL2018*	I
Τάση	V_{DC}	18	18	18
Χωρητικότητα	Ah	1,5	2,0	2,5

Μπατα- ρία	BDL1518*	BDL2018*	I
Τύπος	Li-Ion (ιόντων λίθιου)	Li-Ion (ιόντων λίθιου)	Li-Ion (ιόντων λίθιου)

Στάθμη ηχητικής πίεσης κατά EN 62841:

Ηχητική πίεση (L_{pA}) 92 dB(A), αβεβαιότητα (K) 5 dB(A)

Ηχητική ισχύς (L_{WA}) 100 dB(A), αβεβαιότητα (K) 5 dB(A)

Συνολικές τιμές κραδασμών (διανυσματικό άθροισμα τριών αξόνων) κατά EN 62841:

Κρουστική διάτρηση σε ακυρόδεμα (a_{hD}) 16,8 m/s², αβεβαιότητα (K) 1,5 m/s²

Κρουστική διάτρηση σε μέταλλο (a_{hE}) 2,3 m/s², αβεβαιότητα (K) 1,5 m/s²

Δήλωση συμμόρφωσης EK ΟΔΗΓΙΑ ΜΗΧΑΝΗΜΑΤΩΝ



BLD683 - κρουστικό δράπανο

H Black & Decker δηλώνει ότι τα προϊόντα αυτά που περιγράφονται στα "τεχνικά χαρακτηριστικά" συμμορφώνονται με τα ακόλουθα:

2006/42/ΕΚ, EN 62841-1:2015+A11:2022, EN 62841-2-1:2018+A11:2019+A1:2022+A12:2022.

Αυτά τα προϊόντα συμμορφώνονται και με τις Οδηγίες 2014/30/ΕΕ και 2011/65/ΕΕ. Για περισσότερες πληροφορίες, απευθυνθείτε στη Black & Decker στη διεύθυνση που ακολουθεί ή ανατρέξτε στο πίσω μέρος του εγχειριδίου.

Ο κάτωθι υπογεγραμμένος είναι υπεύθυνος για την κατάρτιση του τεχνικού φακέλου και δηλώνει τα παρόντα εκ μέρους της Black & Decker.

Patrick Diepenbach

Patrick Diepenbach

General Manager, Benelux BLACK +DECKER, Richard-Klinger-Strasse 11, 65510 Idstein, Germany

05/10/2024

Εγγύηση

H Black & Decker είναι σίγουρη για την ποιότητα των προϊόντων της και προσφέρει στους καταναλωτές εγγύηση 24 μηνών από την ημερομηνία αγοράς. Αυτή η εγγύηση προστίθεται και σε καμία περίπτωση δεν προδικάζει τα θεσμοθετημένα δικαιώματά σας. Η εγγύηση ισχύει εντός της επικράτειας των χωρών μελών της Ευρωπαϊκής Ένωσης και της Ευρωπαϊκής Ζώνης Ελεύθερων Συναλλαγών καθώς και του Ηνωμένου Βασιλείου.

Για να υποβάλετε αξίωση βάσει της εγγύησης, η αξίωση θα πρέπει να είναι σύμφωνη με τους Όρους και προϋποθέσεις της Black & Decker και θα χρειαστεί να υποβάλετε απόδειξη αγοράς στον πωλητή ή σε εξουσιοδοτημένο αντιπρόσωπο επισκευών.

Μπορείτε να βρείτε τους όρους και τις προϋποθέσεις της 2 ετούς εγγύησης Black & Decker και την τοποθεσία του πλησιέστερου εξουσιοδοτημένου αντιπροσώπου επισκευής στο Διαδίκτυο στη διεύθυνση www.2helpU.com ή επικοινωνώντας με το τοπικό γραφείο Black & Decker στη διεύθυνση που υποδεικνύεται σε αυτό το εγχειρίδιο.

Παρακαλούμε επισκεφθείτε την ιστοσελίδα μας www.blackanddecker.eu για να καταχωρίσετε το νέο σας προϊόν Black & Decker και για να ενημερώνεστε για τα νέα προϊόντα και τις ειδικές προσφορές.

België/Belgique/Luxembourg www.blackanddecker.be enduser.be@sbdinc.com	Stanley Black & Decker Belgium BVBA Egide Walschaertsstraat 16 2800 Mechelen	Tel. NL +32 15 47 37 65 Tel. FR +32 15 47 37 66 Fax. +32 15 47 37 99
Danmark	Black & Decker Roskildevej 22 2620 Albertslund	kundeservice.dk@sbdinc.com www.blackanddecker.dk
Deutschland www.blackanddecker.de infobfge@sdbinc.com	Stanley Black & Decker Deutschland GmbH Black & Decker Str. 40, D - 65510 Idstein	Tel. 06126 21-0 Fax 06126 21-2980
Ελλάδα www.blackanddecker.gr greece.service@sbdinc.com	Stanley Black & Decker (Ε/ΛΛΑΣ) Ε.Π.Ε ΓΡΑΦΕΙΑ: Στράβωνος 7 & Βουλιαγμένης 166 74 Γλυφάδα - Αθήνα	Τηλ. 210-8981616 Φαξ 210-8983570
SERVICE:	Ημερος Τόπος 2 -Χάνι Αδάμ 193 00 Ασπρόπυργος - Αθήνα	Τηλ. Service 210-8985208 Φαξ 210-5597598
España www.blackanddecker.es respuesta.posventa@sbdinc.com	Stanley Black & Decker Ibérica, S.C.A. Parc de Negocis "Mas Blau" Edificio Muntadas, c/Bergadá, 1, Of. A6 08820 El Prat de Llobregat (Barcelona)	Tel. 934 797 400 Fax 934 797 419
France www.blackanddecker.fr	Stanley Black & Decker. 62 chemin de la Bruyère 69570 Dardilly, France	Tel. 04 72 20 39 20 Fax 04 72 20 39 00
Helvetia www.blackanddecker.ch service@rofoag.ch	ROFO AG Gewerbezone Seeblick 3213 Kleinbösingen	Tel. 026-6749393 Fax 026-6749394
Italia www.blackanddecker.it service.italia@sbdinc.com	Stanley Black & Decker Italia Via Energypark 6 20871 Vimercate (MB)	Tel. 039-9590200 Fax 039-9590313 Numero verde 800-213935
Nederland www.blackanddecker.nl enduser.nl@sbdinc.com	Stanley Black & Decker Netherlands BV Holtum Noordweg 35, 6121 RE BORN Postbus 83, 6120 AB BORN	Tel. +31 164 283 065 Fax +31 164 283 200
Norge	Black & Decker Postboks 4613, Nydalen 0405 Oslo	kundeservice.no@sbdinc.com www.blackanddecker.no
Österreich www.blackanddecker.at service.austria@sbdinc.com	Stanley Black & Decker Austria GmbH Oberlaaerstraße 248, A-1230 Wien	Tel. 01 66116-0 Fax 01 66116-614
Portugal www.blackanddecker.pt resposta.posvenda@sbdinc.com	Black & Decker Limited SARL Quinta da Fonte - Edifício Q55 D. Diniz Rua dos Malhões, 2 e 2A - Piso 2 Esquerdo 2770 - 071 Paço de Arcos	Tel. 214667500 Fax 214667580
Suomi	Black & Decker PL47 00521, Helsinki	asiakaspalvelu.fi@sbdinc.com www.blackanddecker.fi
Sverige	Black & Decker AB Box 94, 431 22 Mölndal	kundservice.se@sbdinc.com www.blackanddecker.se
Türkiye https://tr.blackanddecker.global info-tr@sbdinc.com	Stanley Black & Decker Turkey Alet Üretim Tic. Ltd.Şti. İçerenköy Mahallesi Umut Sokak No: 10--12 / 82--83--84 Kat: 19 Ataşehir-İstanbul, Türkiye	Tel. +90 216 665 2900 Fax. +90 216 665 2901
United Kingdom & Republic Of Ireland www.blackanddecker.co.uk emeaservice@sbdinc.com	Black & Decker Meadowfield Avenue, Spennymoor, DL16 6YJ, England	Tel. 01753 511234 Fax 01753 512365
Middle East & Africa www.blackanddecker.ae service.mea@sbdinc.com	Black & Decker P.O.Box - 17164 Jebel Ali Free Zone (South), Dubai, UAE	Tel. +971 4 8863030 Fax +971 4 8863333
Australia & New Zealand	Stanley Black & Decker 810 Whitehorse Road Box Hill VIC 3128, Australia	Tel. 1800 338 002 (Aus) Tel. 0800 339 258 (NZ)