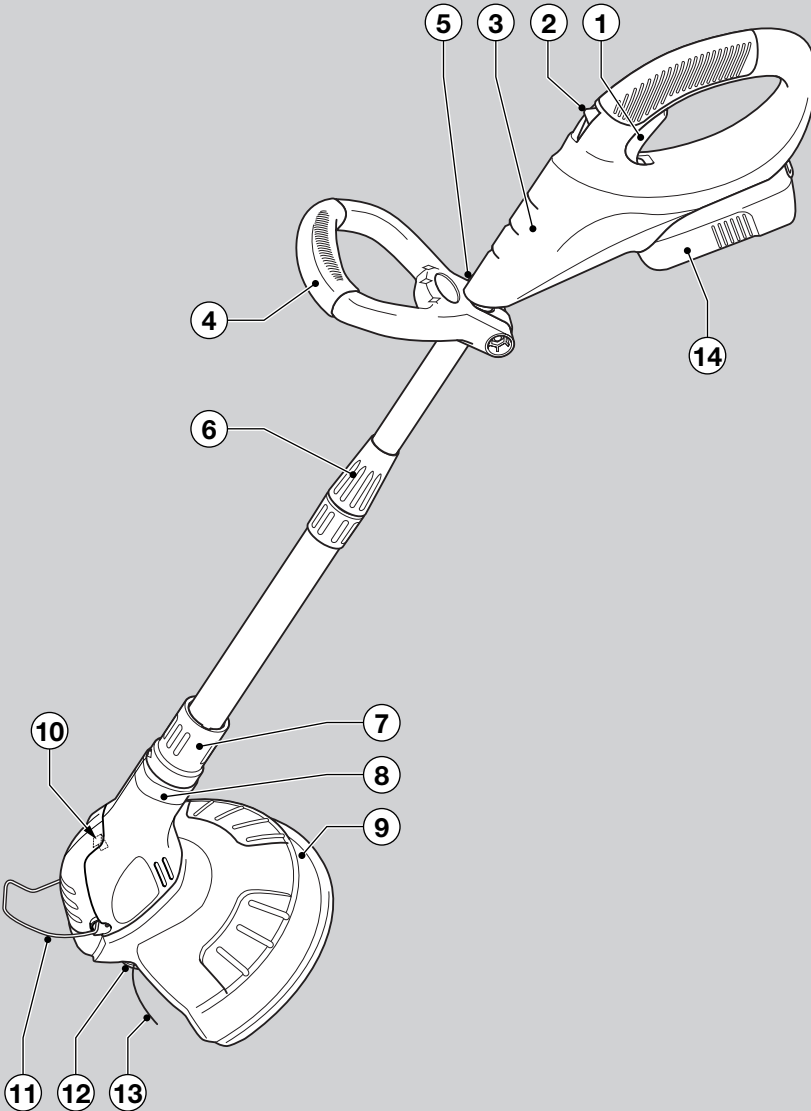




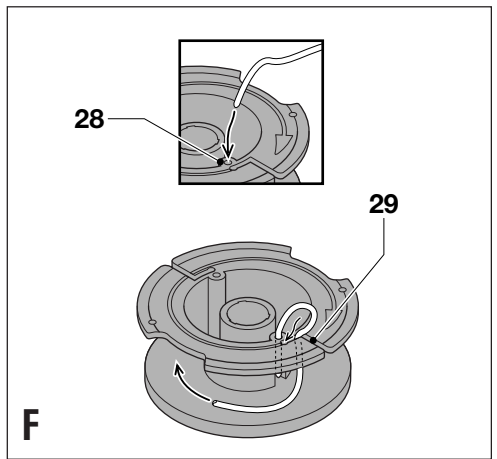
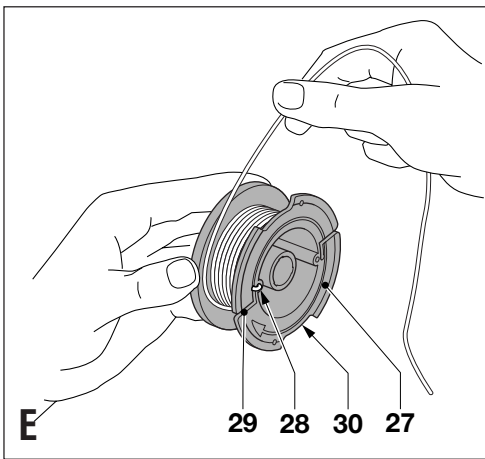
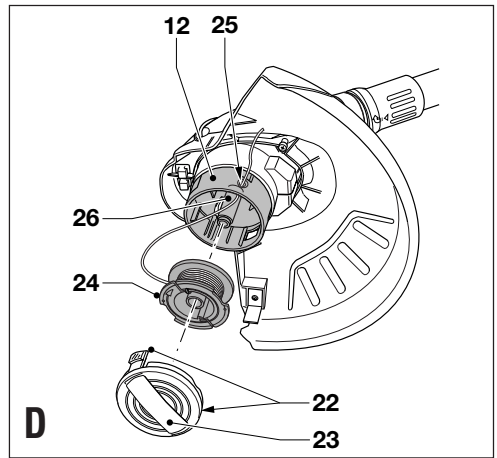
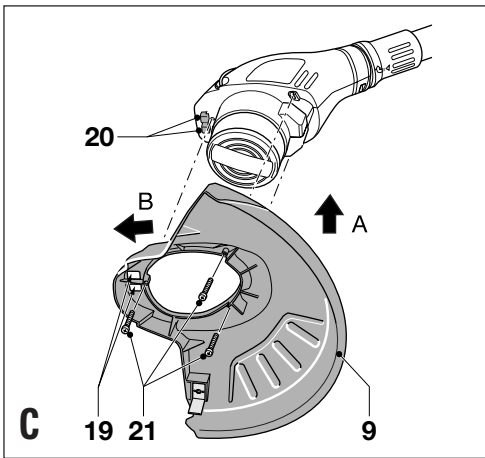
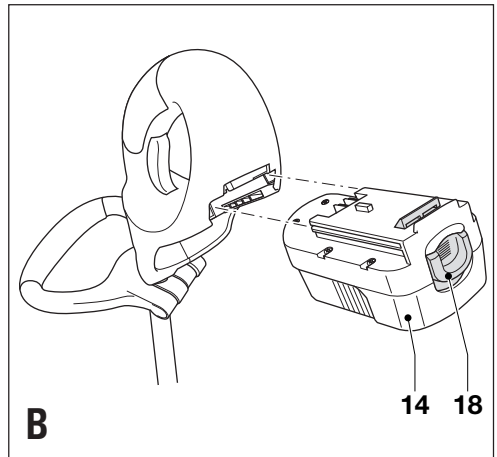
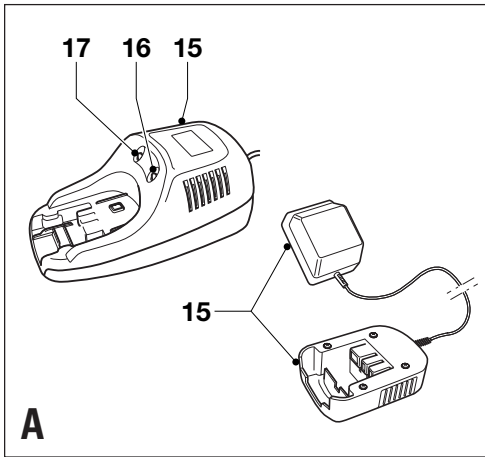
# BLACK & DECKER®

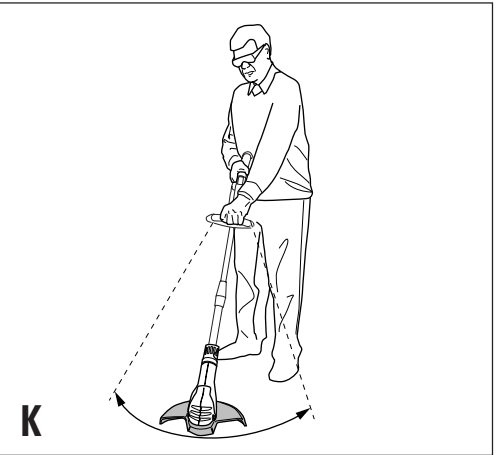
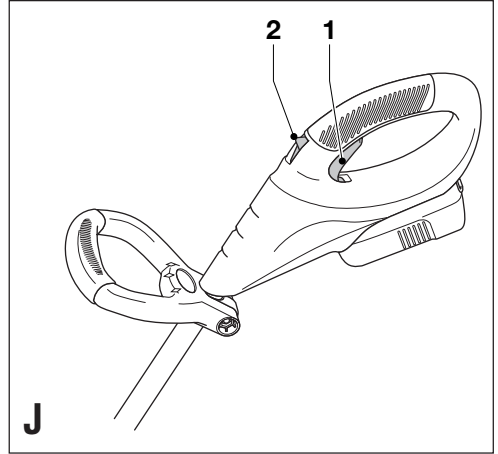
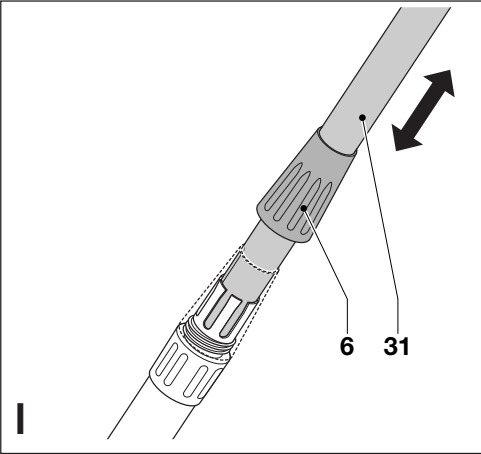
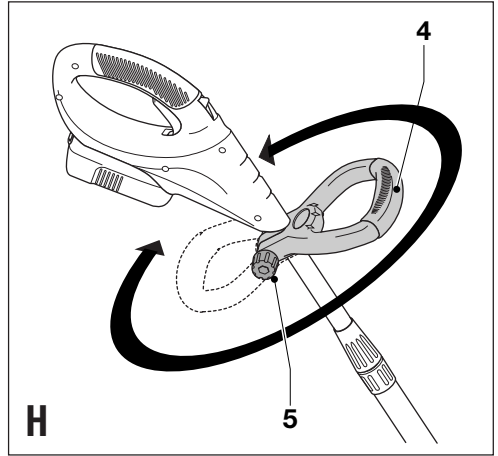
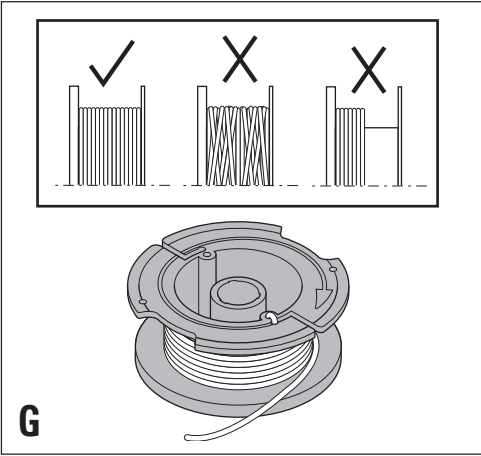
www.blackanddecker.co.uk

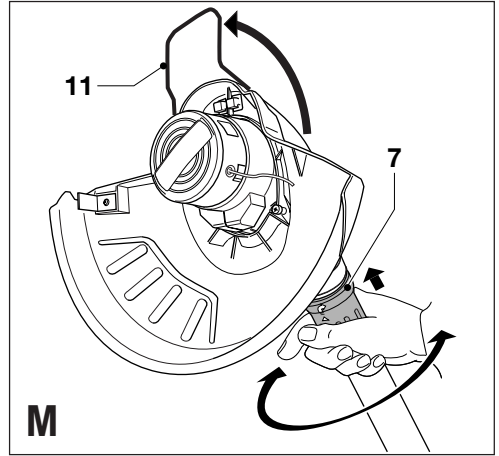
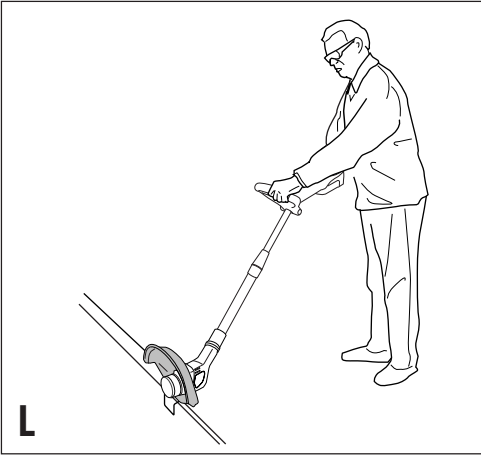


UK

Ireland







## Intended use

Your Black & Decker strimmer has been designed for trimming and finishing lawn edges and to cut grass in confined spaces.

This tool is intended for consumer use only.

Your Black & Decker charger has been designed for charging the battery in the tool with which it was supplied.

## Know your tool



- ◆ **Warning!** When using battery-powered tools, basic safety precautions, including the following, should always be followed to reduce the risk of fire, leaking batteries, personal injury and material damage.
- ◆ For your own safety and that of bystanders, read all of this manual carefully before operating the tool.
- ◆ Be familiar with the controls and proper use of the tool.
- ◆ Before operating the tool, make sure that you know how to switch the tool off in an emergency.
- ◆ Retain this manual for future reference.

## General

### 1. Consider work area environment

Do not expose the tool to rain. Do not use the tool in damp or wet conditions. Only use the tool only in daylight or good artificial light. Do not use the tool where there is a risk of causing fire or explosion, i.e. in the presence of flammable liquids and gases. Keep the work area free from debris and obstacles.

### 2. Keep children away

Do not allow children, visitors or animals to come near the work area or to touch the tool.

### 3. Dress properly

Do not wear loose clothing or jewellery, as these can be caught in moving parts. Preferably wear rubber gloves and non-slip footwear when working outdoors. Wear protective hair covering to keep long hair out of the way.

### 4. Personal protection

Always use safety glasses. Use a face or dust mask whenever the operations may produce dust or flying particles. Wear ear protection whenever the sound level seems uncomfortable.

### 5. Do not overreach

Keep proper footing and balance at all times.

### 6. Stay alert

Watch what you are doing. Use common sense. Do not operate the tool when you are tired.

### 7. Secure workpiece

Use clamps or a vice to hold the workpiece. It is safer and it frees both hands to operate the tool.

### 8. Remove adjusting keys and wrenches

Always check that adjusting keys and wrenches are removed from the tool before operating the tool.

## 9. Use appropriate tool

The intended use is described in this instruction manual.

Do not force small tools or attachments to do the job of a heavy-duty tool. The tool will do the job better and safer at the rate for which it was intended. Do not force the tool.

**Warning!** The use of any accessory or attachment or performance of any operation with this tool other than those recommended in this instruction manual may present a risk of personal injury.

### 10. Check for damaged parts

Before use, carefully check the tool for damage. Check for misalignment and seizure of moving parts, breakage of parts, damage to guards and switches and any other conditions that may affect its operation. Ensure that the tool will operate properly and perform its intended function. Do not use the tool if any part is damaged or defective. Do not use the tool if the switch does not turn it on and off. Have any damaged or defective parts repaired or replaced by an authorised repair agent. Never attempt any repairs yourself.

### 11. Remove the battery

Where the design permits, remove the battery when the tool is not in use, before changing any parts of the tool, accessories or attachments and before servicing.

### 12. Avoid unintentional starting

Do not carry the tool with a finger on the on/off switch. Be sure that the tool is switched off when inserting the battery into the tool.

### 13. Do not abuse cord

Never carry the charger by its cord or pull it to disconnect from the socket. Keep the cord away from heat, oil and sharp edges.

### 14. Store idle tools

When not in use, tools, batteries and chargers should be stored in a dry, locked up or high place, out of reach of children.

### 15. Maintain tools with care

Keep cutting tools sharp and clean for better and safer performance. Follow the instructions for maintenance and changing accessories. Keep handles and switches dry, clean and free from oil and grease.

### 16. Repairs

This tool complies with relevant safety requirements. Repairs should only be carried out by qualified persons using original spare parts; otherwise this may result in considerable danger to the user.

## Additional safety instructions for batteries and chargers

### Batteries

- ◆ Never attempt to open for any reason.
- ◆ Do not expose the battery to water.
- ◆ Do not store in locations where the temperature may exceed 40 °C.

- ◆ Charge only at ambient temperatures between 4 °C and 40 °C.
- ◆ Charge only using the charger provided with the tool.
- ◆ When disposing of batteries, follow the instructions given in the section “Protecting the environment”.
- ◆ Under extreme conditions, battery leakage may occur. When you notice liquid on the battery, proceed as follows:
  - Carefully wipe the liquid off using a cloth. Avoid skin contact.
  - In case of skin or eye contact, follow the instructions below.

**Warning!** The battery fluid, a 25-30% solution of potassium hydroxide, can be harmful. In case of skin contact, immediately rinse with water. Neutralise with a mild acid such as lemon juice or vinegar. In case of eye contact, rinse abundantly with clean water for at least 10 minutes. Consult a physician.

- ◆ Do not incinerate the battery.
- ◆ Do not attempt to charge damaged batteries.

### Chargers

- ◆ Use your Black & Decker charger only to charge the battery in the tool with which it was supplied. Other batteries could burst, causing personal injury and damage.
- ◆ Never attempt to charge non-rechargeable batteries.
- ◆ Have defective cords replaced immediately.
- ◆ Do not expose the charger to water.
- ◆ Do not open the charger.
- ◆ Do not probe the charger.



The charger is intended for indoor use only.

### Electrical safety



Your charger is double insulated; therefore no earth wire is required. Always check that the mains voltage corresponds to the voltage on the rating plate. Never attempt to replace the charger unit with a regular mains plug.

### Additional safety instructions for grass trimmers

The following warning symbols are found on the tool:



Wear safety glasses or goggles when operating this tool.



**Warning!** The cutting line will continue to run for a few seconds after switching the tool off. Never attempt to force the line to come to a standstill.



Keep people and animals at least 6 m away from the cutting area.



Do not expose the tool to rain or high humidity.

- ◆ Never allow children or any person unfamiliar with these instructions to use the tool.
- ◆ Wear stout shoes or boots to protect your feet.
- ◆ Wear long trousers to protect your legs.
- ◆ Before using the tool and after any impact, check for signs of wear or damage and repair as necessary.
- ◆ Before using the tool, check that your cutting path is free from sticks, stones, wire and any other obstacles.
- ◆ Only use the tool in the upright position, with the cutting line near the ground. Never switch the tool on in any other position.
- ◆ Move slowly when using the tool. Be aware that freshly cut grass is damp and slippery.
- ◆ Do not work on steep slopes. Work across the face of slopes, not up and down.
- ◆ Never cross gravel paths or roads while the tool is running.
- ◆ Keep hands and feet away from the cutting line at all times, especially when switching on the motor.
- ◆ Take care against injury from the line trimming blade. After extending new cutting line always return the tool to its normal operating position before switching on.
- ◆ Do not put the tool down until the cutting line has come to a complete standstill.
- ◆ Always ensure that the ventilation slots are kept clear of debris.
- ◆ Use only the appropriate type of cutting line. Never use metal cutting line or fishing line.
- ◆ Be careful not to touch the line trimming blade.
- ◆ Never fit metal cutting elements.
- ◆ Only use Black and Decker replacement parts or accessories.



Denotes risk of personal injury, loss of life or damage to the product in case of non-observance of the instructions in this manual.



Read the manual prior to operation.

### Overview

1. On/off switch
2. Lock-off button
3. Main handle
4. Secondary handle
5. Handle knob
6. Handle adjustment collar
7. Mode adjustment collar

8. Motor housing
9. Guard
10. Line trimming blade
11. Edge guide
12. Spool housing
13. Cutting line
14. Battery

## Fig. A

15. Charger
16. Charging indicator
17. End of charge indicator

## Assembly

**Warning!** Before assembly, remove the battery from the tool.

### Fitting and removing the battery (fig. B)

- ◆ To fit the battery (14), line it up with the receptacle on the tool. Slide the battery into the receptacle and push until the battery snaps into place.
- ◆ To remove the battery, push the release button (18) while at the same time pulling the battery out of the receptacle.

### Fitting the guard (fig. C)

**Warning!** Never operate the tool with damaged guards or shields or without guards or shield in place.

- ◆ Place the guard (9) onto the tool as shown, aligning the holes (19) with the lugs (20) on the tool.
- ◆ Press the guard until it snaps into place (A).
- ◆ Push the guard forward (B).
- ◆ Securely tighten the screws (21).

**Warning!** Never use the tool unless the guard is properly fitted.

### Fitting a new spool of cutting line (fig. D)

Replacement spools of cutting line are available from your Black & Decker dealer (cat. no. A6481).

- ◆ Keep the tabs (22) on the spool cover (23) depressed and remove the spool cover from the housing (12).
- ◆ Remove the empty spool (24) from the housing.
- ◆ Remove any dirt or grass from the housing.
- ◆ Take the new spool and unwind approx. 12 cm of cutting line.
- ◆ Feed the cutting line through the eyelet (25).
- ◆ Push the spool onto the drive shaft (26) and rotate it slightly until it is seated. Make sure that the cutting line is not trapped under the spool and that 10-12 cm of line protrudes from the housing.
- ◆ Align the tabs on the spool cover with the holes in the housing.
- ◆ Push the cover onto the housing until it snaps into place.

**Warning!** If the cutting line protrudes beyond the trimming blade (11), cut it off so that it just reaches the blade.

### Winding new line onto an empty spool (fig. E - G)

You may wind new cutting line onto an empty spool.

Replacement packs of cutting line are available from your Black & Decker dealer (cat. no. A6170 (25 m), A6171 (40 m)).

- ◆ Remove the empty spool from the tool as described above.
- ◆ Remove any old cutting line from the spool (27) (fig. E).
- ◆ Feed 2 cm of cutting line into one of the holes (28) in the spool as shown (fig. F).
- ◆ Bend the cutting line and anchor it in the L-shaped slot (29).
- ◆ Wind the cutting line onto the spool in the direction of the arrow. Make sure to wind the line on neatly and in layers. Do not criss-cross (fig. G).
- ◆ When the wound cutting line reaches the recesses (30), cut the line. Let the line protrude approx. 12 cm from the spool and hold a finger on the line to keep it in place (fig. E).
- ◆ Proceed as described above to fit the spool on the tool.

**Warning!** Only use the appropriate type of Black & Decker cutting line.

## Use

**Warning!** Let the tool work at its own pace. Do not overload.

### Charging the battery (fig. A)1

The battery needs to be charged before first use and whenever it fails to produce sufficient power on jobs that were easily done before. When charging the battery for the first time, or after prolonged storage, it will only accept an 80% charge. After several charge and discharge cycles, the battery will attain full capacity. The battery may become warm while charging; this is normal and does not indicate a problem.

**Warning!** Do not charge the battery at ambient temperatures below 4 °C or above 40 °C. Recommended charging temperature: approx. 24 °C.

- ◆ To charge the battery (14), remove it from the tool and insert it into the charger (15). The battery will only fit into the charger in one way. Do not force. Be sure that the battery is fully seated in the charger.
- ◆ Plug in the charger.

### 3 hour charger

The battery will be fully charged in approx. 3 hours. It can be removed at any time or left in the connected charger indefinitely.

## 1 hour charger

- ◆ Check if the red charging indicator (16) lights up. If the green end of charge indicator (17) lights up now instead, the battery is too hot and cannot be charged. If this happens, remove the battery from the charger, let the battery cool down for approx. 1 hour and re-insert it.

After approx. 1 hour of charging, the red charging indicator will stop lighting and the green end of charge indicator will light up. The battery is now fully charged.

- ◆ Remove the battery from the charger.

## Adjusting the position of the secondary handle (fig. H)

The secondary handle (4) can be adjusted to provide optimum balance and comfort.

- ◆ Let the guard (9) rest on the ground.
- ◆ Slacken the handle knob (5).
- ◆ Move the handle into the desired position.
- ◆ Securely tighten the handle knob.

## Adjusting the height (fig. I)

The telescopic shaft (31) allows you to set the tool to a comfortable height.

- ◆ Loosen the collar (6).
- ◆ To increase the height, slide the shaft out .
- ◆ To reduce the height, slide the shaft in.
- ◆ Tighten the collar.

## Switching on and off (fig. J)

For your safety, this tool is equipped with a double switching system. This system prevents starting the tool inadvertently.

Switching on

- ◆ Push the lock-off button (2) backward using your thumb and at the same time squeeze the on/off switch (1).
- ◆ Release the lock-off button.

Switching off

- ◆ Release the on/off switch (1).

**Warning!** Never attempt to lock a switch in the on position.

## Setting the tool to trimming or edging mode (fig. K - M)

The tool can be used in trimming mode as shown in fig. K or in edging mode to trim overhanging grass along lawn edges and flower beds as shown in fig. L.

Trimming mode (fig. K & M)

For trimming, the trimmer head should be in the position shown in fig. K. If it is not:

- ◆ While holding the secondary handle with one hand, take the collar (7) in the other hand as shown (fig. K).

- ◆ Push the collar in the direction of the trimmer head and rotate it counterclockwise until the trimmer head engages in the trimming position (fig. M).
- ◆ Release the collar.
- ◆ Set the edge guide (11) to the retracted position.

Edging mode (fig. L & M)

For edging, the trimmer head should be in the position shown in fig. L. If it is not:

- ◆ While holding the secondary handle with one hand, take the collar (7) in the other hand as shown (fig. L).
- ◆ Push the collar in the direction of the trimmer head and rotate it clockwise until the trimmer head engages in the edging position (fig. M).
- ◆ Release the collar.
- ◆ Set the edge guide (11) to the retracted position.

## Hints for optimum use

Trimming

- ◆ Hold the tool as shown in fig. K.
- ◆ Gently swing the trimmer from side to side as shown in fig. K.
- ◆ When cutting long grass, work in stages from the top.
- ◆ Keep the tool away from hard objects and delicate plants.
- ◆ If the tool starts running slowly, reduce the load.

Edging

Optimum cutting results are achieved on edges deeper than 50 mm.

- ◆ Do not use the tool to create edges. To create edges, use an edging spade.
- ◆ Guide the tool as shown in fig. L. Keep the edge guide against the lawn edge.
- ◆ To make a closer cut, slightly tilt the tool.

General

- ◆ In order to achieve optimum results, only cut dry grass.
- ◆ If possible, keep the battery connected to the charger and the charger plugged in whenever the tool is not in use.

## Maintenance

Your Black & Decker tool has been designed to operate over a long period of time with a minimum of maintenance.

Continuous satisfactory operation depends upon proper tool care and regular cleaning.

Your charger does not require any maintenance apart from regular cleaning.

**Warning!** Before performing any maintenance on the tool, remove the battery from the tool. Unplug the charger before cleaning it.



- ◆ After use disconnect the battery and check the tool for any damage.
- ◆ Regularly clean the ventilation slots in your tool and charger using a soft brush or dry cloth.
- ◆ Regularly clean the motor housing using a damp cloth. Do not use any abrasive or solvent-based cleaner.
- ◆ Regularly clean the cutting line and spool using a soft brush or dry cloth.
- ◆ Regularly use a blunt scraper to remove grass and dirt from the underneath of the guard.

### Storage

When the tool will not be used for several months, ideally leave the battery connected to the charger. Otherwise proceed as follows:

- ◆ Fully charge the battery.
- ◆ Remove the battery from the tool.
- ◆ Store the tool and battery in a secure and dry location. The storage temperature must always remain in the range of +5 °C to +40 °C. Place the battery on a level surface.
- ◆ Before using the tool after prolonged storage, fully charge the battery again.

### TROUBLESHOOTING

If your tool seems not to operate properly, follow the instructions below. If this does not solve the problem, please contact your local Black & Decker repair agent.

**Warning!** Before proceeding, remove the battery from the tool.

#### Tool runs slowly

- ◆ Check that the spool housing can rotate freely. Carefully clean it if necessary.
- ◆ Check that the cutting line does not protrude more than 10-12 cm from the spool housing. If it does, cut it off so that it just reaches the line trimming blade.

#### Automatic line feed does not work

- ◆ Keep the tabs depressed and remove the spool cover from the housing.
- ◆ Lift the spool approx. 6 mm and pull the cutting line until it protrudes 10-12 cm from the housing. If insufficient cutting line is left on the spool, install a new spool of cutting line as instructed above.
- ◆ Push the spool back into place and rotate it slightly until it is seated.
- ◆ Align the tabs on the spool cover with the holes in the housing.
- ◆ Push the cover onto the housing until it snaps securely into place.
- ◆ If the cutting line protrudes beyond the trimming blade, cut it off so that it just reaches the blade.

If the automatic line feed still does not work, try the following suggestions:

- ◆ Carefully clean the spool housing.
- ◆ Remove the spool and check if the lever can move freely.
- ◆ Remove the spool and unwind the cutting line, then wind it on neatly again as described above. Replace the spool as instructed.

#### Spool is jammed

- ◆ Keep the tabs depressed and remove the spool cover from the housing.
- ◆ Carefully clean the spool housing.
- ◆ Push the cover onto the housing until it snaps securely into place.

### PROTECTING THE ENVIRONMENT

#### Tools



Separate collection. This product must not be disposed of with normal household waste.

Should you find one day that your Black & Decker product needs replacement, or if it is of no further use to you, do not dispose of it with household waste. Make this product available for separate collection.



Separate collection of used products and packaging allows materials to be recycled and used again. Re-use of recycled materials helps prevent environmental pollution and reduces the demand for raw materials.

Local regulations may provide for separate collection of electrical products from the household, at municipal waste sites or by the retailer when you purchase a new product.

Black & Decker provides a facility for the collection and recycling of Black & Decker products once they have reached the end of their working life. To take advantage of this service please return your product to any authorised repair agent who will collect them on our behalf.

You can check the location of your nearest authorised repair agent by contacting your local Black & Decker office at the address indicated in this manual. Alternatively, a list of authorised Black & Decker repair agents and full details of our after-sales service and contacts are available on the Internet at: [www.2helpU.com](http://www.2helpU.com)

## Batteries



Black & Decker batteries can be recharged many times. At the end of their useful life, discard batteries with due care for our environment:

- ♦ Run the battery down completely, then remove it from the tool.
- ♦ NiCd and NiMH batteries are recyclable. Take them to any authorised repair agent or a local recycling station.

## Technical data

	GLC2500	GLC3000
Voltage	V <sub>DC</sub> 18	24
No-load speed	min <sup>-1</sup> 6,800	6,800
Weight	kg 1.8	1.8

## Battery

Voltage	V <sub>DC</sub> 18	24
Capacity	Ah 1.5	1.2
Weight	kg 0.8	1

## Charger

Voltage	V <sub>AC</sub> 230	230
Approx. charging time	h 3	3

## EC declaration of conformity

GLC2500/GLC2500NM/GLC3000

Black & Decker declares that these products conform to:

98/37/EC, 89/336/EEC, 73/23/EEC, EN 55014,

EN 60335, EN 61000, EN 786, EN 28662, EN ISO 3744,

EN ISO 11201

2000/14/EC, Lawn trimmer, L = 25 cm, Annex VI, No. 499

SNCH, L-5230 Sandweiler, Luxembourg

Level of sound pressure, measured according to EN ISO 3744:

L<sub>PA</sub> (sound pressure) 81 dB(A)

L<sub>WA</sub> (acoustic power) 92 dB(A)

L<sub>WA</sub> (guaranteed) 96 dB(A)

Hand/arm weighted vibration value according to EN 786:

< 2.5 m/s<sup>2</sup>

Kevin Hewitt  
Director of Consumer Engineering  
Spennymoor, County Durham DL16 6JG,  
United Kingdom  
1-11-2004

## Guarantee

Black & Decker is confident of the quality of its products and offers an outstanding guarantee. This guarantee statement is in addition to and in no way prejudices your statutory rights. The guarantee is valid within the territories of the Member States of the European Union and the European Free Trade Area.

If a Black & Decker product becomes defective due to faulty materials, workmanship or lack of conformity, within 24 months from the date of purchase, Black & Decker guarantees to replace defective parts, repair products subjected to fair wear and tear or replace such products to ensure minimum inconvenience to the customer unless:

- ♦ The product has been used for trade, professional or hire purposes;
- ♦ The product has been subjected to misuse or neglect;
- ♦ The product has sustained damage through foreign objects, substances or accidents;
- ♦ Repairs have been attempted by persons other than authorised repair agents or Black & Decker service staff.

To claim on the guarantee, you will need to submit proof of purchase to the seller or an authorised repair agent. You can check the location of your nearest authorised repair agent by contacting your local Black & Decker office at the address indicated in this manual. Alternatively, a list of authorised Black & Decker repair agents and full details of our after-sales service and contacts are available on the Internet at:

[www.2helpU.com](http://www.2helpU.com)

Please visit our website [www.blackanddecker.co.uk](http://www.blackanddecker.co.uk) to register your new Black & Decker product and to be kept up to date on new products and special offers. Further information on the Black & Decker brand and our range of products is available at [www.blackanddecker.co.uk](http://www.blackanddecker.co.uk)



**United Kingdom**

Black & Decker  
210 Bath Road  
Slough, Berkshire SL1 3YD

Tel. 01753 511234  
Fax 01753 551155  
Helpline 01753 574277