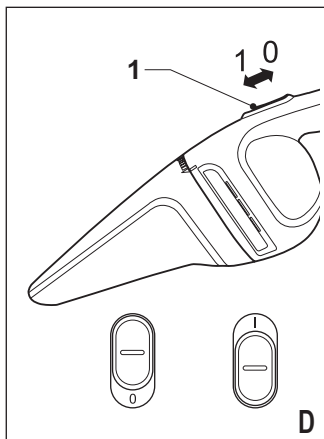
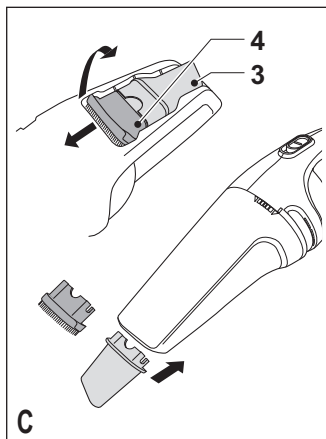
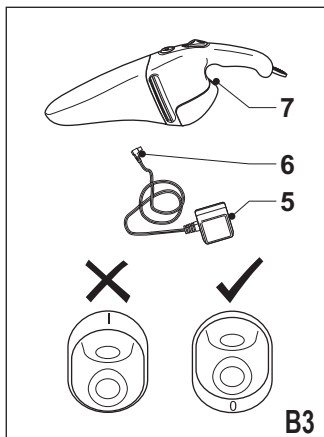
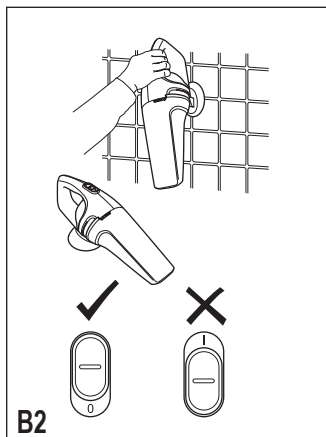
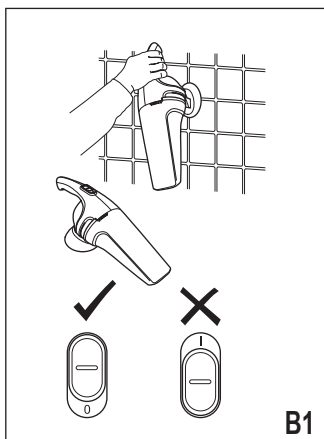
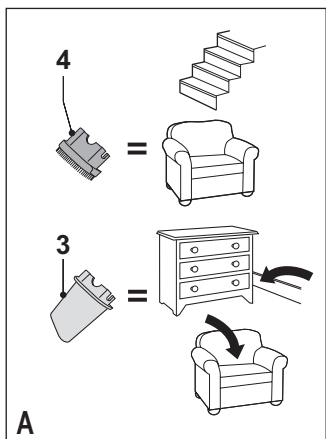
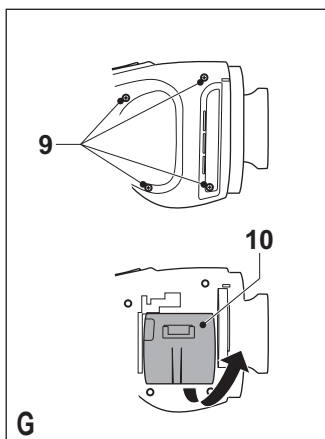
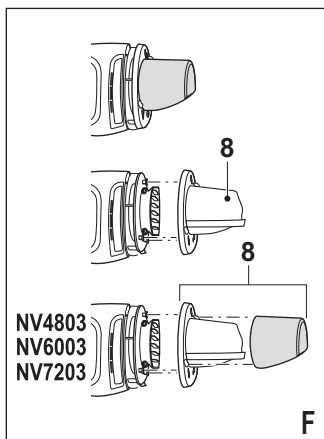
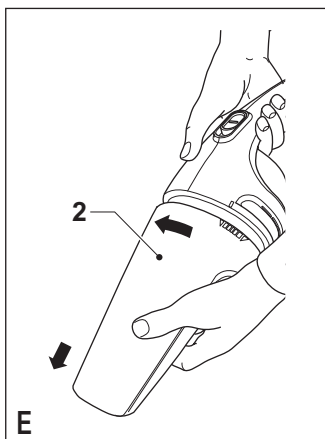


NV19XXYZ
NV24XXYZ
NV36XXYZ
NV48XXYZ
NV60XXYZ
NV72XXYZ

English	(Original instructions)	5
Deutsch	(Übersetzung der Originalanleitung)	11
Français	(Traduction des instructions d'origine)	18
Italiano	(Traduzione delle istruzioni originali)	24
Nederlands	(Vertaling van de originele instructies)	30
Español	(Traducción de las instrucciones originales)	36
Português	(Tradução das instruções originais)	42
Svenska	(Översättning av de ursprungliga anvisningarna)	48
Norsk	(Oversettelse av de opprinnelige instruksjonene)	54
Dansk	(Oversættelse af de originale instruktioner)	60
Suomi	(Alkuperäisten ohjeiden käännös)	66
Ελληνικά	(Μετάφραση των αρχικών οδηγιών)	72
Türkçe	(Orijinal talimatların çeviri)	79





Intended use

Your Black & Decker Dustbuster® hand held vacuum cleaner has been designed for light dry vacuum cleaning purposes. This product is intended for household use only.

Safety instructions

- ◆ **Warning!** When using battery-powered appliances, basic safety precautions, including the following, should always be followed to reduce the risk of fire, leaking batteries, personal injury and material damage.
- ◆ Read this manual carefully before using the appliance.
- ◆ The intended use is described in this manual. The use of any accessory or attachment or the performance of any operation with this appliance other than those recommended in this instruction manual may present a risk of personal injury.
- ◆ Retain this manual for future reference.

Using your appliance

- ◆ Do not use the appliance to pick up liquids or any materials that could catch fire.
- ◆ Do not use the appliance near water. Do not immerse the appliance in water.
- ◆ Never pull the charger lead to disconnect the charger from the socket. Keep the charger lead away from heat, oil and sharp edges.

After use

- ◆ Unplug the charger before cleaning it.
- ◆ When not in use, the appliance should be stored in a dry place. Children should not have access to stored appliances.

Inspection and repairs

- ◆ Before use, check the appliance for damaged or defective parts. Check for breakage of parts, damage to switches and any other conditions that may affect its operation.

- ◆ Do not use the appliance if any part is damaged or defective.
- ◆ Have any damaged or defective parts repaired or replaced by an authorised repair agent.
- ◆ Regularly check the charger lead for damage. Replace the charger if the lead is damaged or defective.
- ◆ Never attempt to remove or replace any parts other than those specified in this manual.

Residual risks

Additional residual risks may arise when using the tool which may not be included in the enclosed safety warnings.

These risks can arise from misuse, prolonged use, etc.

Even with the application of the relevant safety regulations and the implementation of safety devices, certain residual risks can not be avoided. These include:

- ◆ Injuries caused by touching any rotating/moving parts.
- ◆ Injuries caused when changing any parts, blades or accessories.
- ◆ Injuries caused by prolonged use of a tool. When using any tool for prolonged periods ensure you take regular breaks.
- ◆ Impairment of hearing.
- ◆ Health hazards caused by breathing dust developed when using your tool (example: working with wood, especially oak, beech and MDF).

Safety of others

- ◆ This appliance is not intended for use by persons (including children) with reduced physical, sensory or mental capabilities, or lack of experience and knowledge, unless they have been given supervision or instruction concerning use of the appliance by a person responsible for their safety.
- ◆ Children should be supervised to ensure that they do not play with the appliance.

Additional safety instructions for batteries and chargers

Batteries

- ◆ Never attempt to open for any reason.
- ◆ Do not expose the battery to water.
- ◆ Do not expose the battery to heat.
- ◆ Do not store in locations where the temperature may exceed 40 °C.
- ◆ Charge only at ambient temperatures between 10 °C and 40 °C.
- ◆ Charge only using the charger provided with the appliance/tool.
- ◆ When disposing of batteries, follow the instructions given in the section "Protecting the environment".
- ◆ Do not damage/deform the battery pack either by puncture or impact, as this may create a risk of injury and fire.
- ◆ Do not charge damaged batteries.
- ◆ Under extreme conditions, battery leakage may occur. When you notice liquid on the batteries, proceed as follows:
 - ◆ Carefully wipe the liquid off using a cloth. Avoid skin contact.
 - ◆ In case of skin or eye contact, follow the instructions below.

Warning! The battery fluid may cause personal injury or damage to property. In case of skin contact, immediately rinse with water. If redness, pain or irritation occurs seek medical attention. In case of eye contact, rinse immediately with clean water and seek medical attention.

Chargers

Your charger has been designed for a specific voltage. Always check that the mains voltage corresponds to the voltage on the rating plate.

Warning! Never attempt to replace the charger unit with a regular mains plug.

- ◆ Use your Black & Decker charger only to charge the battery in the appliance/tool with which it was supplied. Other batteries could burst, causing personal injury and damage.
- ◆ Never attempt to charge non-rechargeable batteries.

- ◆ If the supply cord is damaged, it must be replaced by the manufacturer or an authorised Black & Decker Service Centre in order to avoid a hazard.
- ◆ Do not expose the charger to water.
- ◆ Do not open the charger.
- ◆ Do not probe the charger.
- ◆ The appliance/tool/battery must be placed in a well ventilated area when charging.

Electrical safety

Your charger has been designed for a specific voltage. Always check that the mains voltage corresponds to the voltage on the rating plate. Never attempt to replace the charger unit with a regular mains plug.

- ◆ This appliance is not intended for use by persons (including children) with reduced physical, sensory or mental capabilities, or lack of experience and knowledge, unless they have been given supervision or instruction concerning use of the appliance by a person responsible for their safety.
- ◆ Children should be supervised to ensure that they do not play with the appliance.

Symbols on the charger



Your charger is double insulated; therefore no earth wire is required.



Fail safe isolating transformer. The mains supply is electrically separated from the transformer output.



The charger automatically shuts off if the ambient temperature becomes too high. As a consequence the charger will be inoperable. The unit must be disconnected from the mains supply and taken to an authorised service centre for repair.



The charger is intended for indoor use only.



Read the manual carefully before using the appliance.

Warning! Keep electrical appliances out of reach from children or infirm persons. Do not let them use the appliances without supervision.

Features

1. On/off switch
2. Dust bowl

Fig. A

3. Crevice tool
4. Brush tool

Unpacking

Identifying your product

The model design can be determined from the suffix codes used in the catalogue number. The following catalogue numbers are described in this manual: NV19XXYZ H2/NV24XXYZ H2/NV36XXYZ H2/NV48XXYZ H2/NV60XXYZ H2/NV72XXYZ H2

The suffix code XX corresponds to the following designs:

00/99: stick handle, no accessories supplied

03: loop handle, supplied with crevice tool and brush tool

The suffix code Y is used to identify the range of colour, print or special options. The suffix code Z represented by the letter N is used for models with an NiMH battery.

Installation

NV24XXYZ/NV36XXYZ/NV48XXYZ/NV60XXYZ/NV72XXYZ - Fitting the charging base to the wall (fig. B1 & B2)

The charging base can be placed on a worktop or fitted to the wall to provide a convenient storage and charging point for the appliance.

Assembly

Fitting the accessories (fig. A & C)

Depending on the model, the appliance is supplied with the following accessories:

- ◆ a crevice tool (3) for confined spaces
- ◆ a brush tool (4) for furniture and stairs

To fit an accessory, proceed as follows:

- ◆ Take the accessories from the appliance.
- ◆ Insert the appropriate accessory into the front of the appliance.

You may refit the other accessory by clicking it into the accessory holder.

To refit both accessories:

- ◆ Push the accessories down until they click into place.

Use

- ◆ The appliance can be charged while placed on a worktop or hung on the wall using the wall hook provided.
- ◆ Before first use, the battery must be charged for at least 24 hours.
- ◆ Leave the appliance connected to the charger whenever it is not in use.

Charging the battery (fig. B1 - B3)

NV24XXYZ/NV36XXYZ/NV48XXYZ/NV60XXYZ/NV72XXYZ (fig. B1 & B2)

- ◆ Make sure that the appliance is switched off. The battery will not be charged with the on/off switch in the on position.
- ◆ Fit the appliance properly on the charger aligning the arrow on the charger with the split of the appliance.
- ◆ Plug in the charger.
- ◆ Switch on at the mains.
- ◆ Leave the appliance to charge for at least 24 hours.

NV19XXY (fig. B3)

- ◆ Make sure that the appliance is switched off. The battery will not be charged with the on/off switch in the on position.
- ◆ Insert the charger plug (6) into the charger connector (7) at the rear of the appliance.

- ◆ Plug in the charger (5).
- ◆ Switch on at the mains.
- ◆ Leave the appliance to charge for at least 24 hours.

Note: Whilst charging, the charger may become warm. This is normal and does not indicate a problem. The appliance can be left connected to the charger indefinitely.

Warning! Do not charge the battery at ambient temperatures below 10 °C or above 40 °C.

Switching on and off (fig. D)

- ◆ To switch on, slide the on/off switch (1) forward.
- ◆ To switch off, slide the on/off switch back.

Cleaning and maintenance

Warning! Regularly clean the filters.

Cleaning the dust bowl and filters (fig. E & F)

The filters are re-usable and should be cleaned regularly.

- ◆ Remove the dust bowl (2) by turning counterclockwise.
- ◆ Empty the dust bowl.
- ◆ Remove the filter assembly (8) by twisting them counterclockwise.
- ◆ Wash the filters in warm, soapy water. The bowl can also be washed if necessary. Do not immerse the appliance in water.
- ◆ Make sure the dust bowl and filters are dry.
- ◆ Refit the filter assembly (8) onto the appliance twisting it clockwise until it locks into place.
- ◆ Refit the dust bowl onto the appliance. Make sure the dust bowl clicks into place.

Warning! Never use the appliance without the filters. Optimum dust collection will only be achieved with clean filters and an empty dust bowl.

Replacing the filters

The filters should be replaced every 6 to 9 months and whenever worn or damaged. Replacement filters are available from your Black & Decker dealer (catalogue number: VF60).

- ◆ Remove the old filters as described above.
- ◆ Fit the new filters as described above.

Protecting the environment



Separate collection. This product must not be disposed of with normal household waste.

Should you find one day that your Black & Decker product needs replacement, or if it is of no further use to you, do not dispose of it with household waste. Make this product available for separate collection.



Separate collection of used products and packaging allows materials to be recycled and used again. Re-use of recycled materials helps prevent environmental pollution and reduces the demand for raw materials.

Local regulations may provide for separate collection of electrical products from the household, at municipal waste sites or by the retailer when you purchase a new product.

Black & Decker provides a facility for the collection and recycling of Black & Decker products once they have reached the end of their working life. To take advantage of this service please return your product to any authorised repair agent who will collect them on our behalf.

You can check the location of your nearest authorised repair agent by contacting your local Black & Decker office at the address indicated in this manual. Alternatively, a list of authorised Black & Decker repair agents and full details of our after-sales service and contacts are available on the Internet at: www.2helpU.com

Battery (fig. G)



When disposing of the product, the battery must be removed as described below and disposed of in accordance with local regulations.

If you want to dispose of the product yourself, the battery must be removed as described below and disposed of in accordance with local regulations.

Warning! Disconnect the appliance from the power supply before removing the battery.

- ◆ Discharge the battery by operating the appliance until the motor stops.
- ◆ Take the accessories from the appliance.
- ◆ Remove the screws (9).
- ◆ Open the appliance.
- ◆ Remove the battery and the attached motor and switch module (10).
- ◆ Use a screwdriver to detach the battery from the motor and switch module.
- ◆ Place the battery in suitable packaging to ensure that the terminals cannot be short-circuited.
- ◆ Take the battery to your service agent or a local recycling station.

Warning! Once removed, the battery cannot be refitted.

Technical data

	NV19XXYZ H2	NV24XXYZ H2
Voltage	V 2.4	2.4
Battery type	NiCd/NiMH	NiCd/NiMH
Weight	kg 0.65	0.65

	NV36XXYZ H2	NV48XXYZ H2
Voltage	V 3.6	4.8
Battery type	NiCd/NiMH	NiCd/NiMH
Weight	kg 0.7	0.85

	NV60XXYZ H2	NV72XXYZ H2
Voltage	V 6.0	7.2
Battery type	NiCd/NiMH	NiCd/NiMH
Weight	kg 0.9	0.95

Charger

	*A035015D	*A050020D
Model	NV19/NV24	NV36
Input voltage	V _{AC} 230	230
Output voltage	V _{AC} 3.5	5
Amperage	mA 150	200
Approx.		
charging time	h 24	24
Weight	kg 0.2	0.2

	*A070015D	*A075020D
Model	NV48	NV60
Input voltage	V _{AC} 230	230
Output voltage	V _{AC} 7	7.5
Amperage	mA 150	200
Approx.		
charging time	h 24	24
Weight	kg 0.2	0.2

	*A090020D
Model	NV72
Input voltage	V _{AC} 230
Output voltage	V _{AC} 9
Amperage	mA 200
Approx.	
charging time	h 24
Weight	kg 0.2

Level of sound pressure according to EN 60704-1:

Sound pressure (L_{pa}) < 70 dB(A), uncertainty (K) 3 dB(A)

European Community patent application number: 000 540 745 & 000 540 752

European Community design application number: 000 541 230 & 000 540 752

DUSTBUSTER is a registered trademark of the Black & Decker Corporation.

Guarantee

Black & Decker is confident of the quality of its products and offers an outstanding guarantee. This guarantee statement is in addition to and in no way prejudices your statutory rights. The guarantee is valid within the territories of the Member States of the European Union and the European Free Trade Area.

If a Black & Decker product becomes defective due to faulty materials, workmanship or lack of conformity, within 24 months from the date of purchase, Black & Decker guarantees to replace defective parts, repair products subjected to fair wear and tear or replace such products to ensure minimum inconvenience to the customer unless:

- ◆ The product has been used for trade, professional or hire purposes;
- ◆ The product has been subjected to misuse or neglect;
- ◆ The product has sustained damage through foreign objects, substances or accidents;
- ◆ Repairs have been attempted by persons other than authorised repair agents or Black & Decker service staff.

To claim on the guarantee, you will need to submit proof of purchase to the seller or an authorised repair agent. You can check the location of your nearest authorised repair agent by contacting your local Black & Decker office at the address indicated in this manual.

Alternatively, a list of authorised Black & Decker repair agents and full details of our after-sales service and contacts are available on the Internet at: **www.2helpU.com**

Please visit our website **www.blackanddecker.co.uk** to register your new Black & Decker product and to be kept up to date on new products and special offers. Further information on the Black & Decker brand and our range of products is available at **www.blackanddecker.co.uk**

Bestimmungsgemäße Verwendung

Ihr Black & Decker Dustbuster® wurde für leichte Trockenreinigungsarbeiten konstruiert. Dieses Gerät ist nicht für den gewerblichen Einsatz vorgesehen.

Sicherheitshinweise

- ◆ **Achtung!** Bei der Verwendung von Akkugeräten sind zum Schutz gegen Feuergefahr, gegen Austreten der Akkufflüssigkeit sowie gegen Körper- und Sachschaden grundlegende Sicherheitsmaßnahmen einschließlich der folgenden Vorschriften zu beachten.
- ◆ Lesen Sie diese Anleitung gründlich durch, bevor Sie das Gerät verwenden.
- ◆ Die bestimmungsgemäße Verwendung ist in dieser Bedienungsanleitung beschrieben. Das Verwenden anderer als der in dieser Anleitung empfohlenen Vorsatzgeräte und Zubehörteile oder die Ausführung von Arbeiten mit diesem Gerät, die nicht der bestimmungsgemäßen Verwendung entsprechen, kann zu Unfallgefahren führen.
- ◆ Bewahren Sie diese Anleitung auf.

Gebrauch des Gerätes

- ◆ Saugen Sie keine Flüssigkeiten und kein feuergefährliches Material mit dem Gerät auf.
- ◆ Verwenden Sie das Gerät nicht in der Nähe von Wasser. Tauchen Sie das Gerät nicht in Wasser ein.
- ◆ Benutzen Sie nicht das Kabel des Ladegerätes, um den Stecker aus der Steckdose zu ziehen. Schützen Sie das Kabel des Ladegeräts vor Hitze, Öl und scharfen Kanten.

Nach der Verwendung

- ◆ Ziehen Sie den Netzstecker des Ladegeräts aus der Steckdose, bevor Sie es reinigen.
- ◆ Das unbenutzte Gerät ist an einem trockenen Ort aufzubewahren. Kinder sollten keinen Zugang zu aufbewahrten Geräten haben.

Überprüfung und Reparaturen

- ◆ Überprüfen Sie das Gerät vor dem Gebrauch auf beschädigte oder defekte Teile. Prüfen Sie, ob Teile gebrochen, Schalter beschädigt oder andere Zustände eingetreten sind, die die Funktion des Gerätes beeinträchtigen.
- ◆ Benutzen Sie das Gerät nicht, wenn irgendein Teil defekt ist.
- ◆ Lassen Sie defekte Teile immer von einer unserer Kundendienstwerkstätten reparieren oder austauschen.
- ◆ Überprüfen Sie regelmäßig die Zuleitung des Ladegeräts auf Beschädigung. Erneuern Sie das Ladegerät, wenn die Zuleitung beschädigt ist.
- ◆ Versuchen Sie nie, irgendwelche Teile zu entfernen oder auszutauschen, die nicht in dieser Anleitung beschrieben werden.

Restrisiken

Für den Gebrauch dieses Werkzeugs verbleiben zusätzliche Restrisiken, die möglicherweise nicht in den Sicherheitswarnungen genannt werden. Diese Risiken bestehen beispielsweise bei Missbrauch oder längerem Gebrauch.

Auch bei der Einhaltung der entsprechenden Sicherheitsvorschriften und der Verwendung aller Sicherheitsgeräte bestehen weiterhin bestimmte Restrisiken. Diese werden im Folgenden aufgeführt:

- ◆ Verletzungen, die durch das Berühren von sich drehenden/bewegenden Teilen verursacht werden.
- ◆ Verletzungen, die durch das Austauschen von Teilen, Messern oder Zubehör verursacht werden.
- ◆ Verletzungen, die durch längeren Gebrauch eines Werkzeugs verursacht werden. Legen Sie bei längerem Gebrauch regelmäßige Pausen ein.
- ◆ Beeinträchtigung des Gehörs.
- ◆ Gesundheitsrisiken durch das Einatmen von Staub beim Gebrauch des Werkzeugs (beispielsweise bei Holzarbeiten, insbesondere Eiche, Buche und Pressspan).

Sicherheit anderer Personen

- ◆ Dieses Gerät darf nicht von Personen (einschließlich Kindern) mit eingeschränkten körperlichen, sensorischen oder geistigen Fähigkeiten verwendet werden. Auch darf es nicht von Personen verwendet werden, die keine Erfahrung mit dem Gerät oder Kenntnis darüber haben, es sei denn, sie stehen beim Gebrauch unter der Aufsicht und Anleitung einer für deren Sicherheit verantwortlichen Person.
- ◆ Kinder müssen beaufsichtigt werden, um sicherzustellen, daß sie nicht mit dem Gerät spielen.

Zusätzliche Sicherheitsanweisungen für Akkus und Ladegeräte

Akkus

- ◆ Versuchen Sie auf keinen Fall, einen Akku zu öffnen.
- ◆ Setzen Sie den Akku keiner Nässe aus.
- ◆ Setzen Sie den Akku keiner Hitze aus.
- ◆ Nicht an einem Ort aufbewahren, wo die Temperatur 40 °C überschreiten kann.
- ◆ Nur bei Umgebungstemperaturen zwischen 10 °C und 40 °C aufladen.
- ◆ Laden Sie den Akku nur mit dem im Lieferumfang enthaltenen Ladegerät.
- ◆ Befolgen Sie bei der Entsorgung von Akkus die Anweisungen im Abschnitt "Umweltschutz".
- ◆ Beschädigen und deformieren Sie den Akku nicht - weder durch Einstiche noch durch Schläge - da Sie sich hierdurch verletzen können und ein Brand entstehen kann.
- ◆ Laden Sie keine beschädigten Akkus.
- ◆ Unter extremen Einsatzbedingungen kann Akkuflüssigkeit austreten. Wenn sich Flüssigkeit auf den Akkus befindet, gehen Sie folgendermaßen vor:
 - ◆ Wischen Sie die Flüssigkeit mit Hilfe eines Lappens vorsichtig von dem Akku. Vermeiden Sie eine Berührung mit der Haut.
 - ◆ Falls die Flüssigkeit doch mit der Haut oder den Augen in Berührung kommen sollte, befolgen Sie die folgenden Hinweise.

Achtung! Die Akkuflüssigkeit kann zu Personenverletzungen oder Sachschäden führen. Bei einem Hautkontakt spülen Sie sofort mit reichlich Wasser. Treten Rötungen, Schmerzen oder Reizungen auf, suchen Sie einen Arzt auf. Bei Augenkontakt spülen Sie die Augen sofort mit sauberem Wasser aus und suchen Sie einen Arzt auf.

Ladegeräte

Ihr Ladegerät wurde für eine bestimmte Spannung konstruiert. Überprüfen Sie immer, ob die Netzspannung mit der Spannung auf der Datenplakette übereinstimmt.

Achtung! Tauschen Sie das Ladegerät auf keinen Fall gegen einen Netzstecker aus.

- ◆ Verwenden Sie Ihr Black & Decker Ladegerät nur zum Laden von Akkus des im Lieferumfang enthaltenen Typs. Andere Akkus könnten platzen und Sach- und Personenschäden verursachen.
- ◆ Versuchen Sie nie, nicht aufladbare Akkus zu laden.
- ◆ Falls das Netzkabel beschädigt ist, so ist es vom Hersteller oder einem autorisierten Black & Decker Service Center auszutauschen, um Gefahren vorzubeugen.
- ◆ Setzen Sie das Ladegerät niemals Nässe aus.
- ◆ Öffnen Sie das Ladegerät nicht.
- ◆ Manipulieren Sie das Ladegerät nicht.
- ◆ Gerät/Werkzeug/Akku müssen sich beim Aufladen an einem gut belüfteten Ort befinden.

Elektrische Sicherheit

Ihr Ladegerät wurde für eine bestimmte Spannung konstruiert. Überprüfen Sie immer, ob die Netzspannung mit der Spannung auf der Datenplakette übereinstimmt. Tauschen Sie das Ladegerät auf keinen Fall gegen einen Netzstecker aus.

- ◆ Dieses Gerät darf nicht von Personen (einschließlich Kindern) mit eingeschränkter körperlicher, sensorischer oder geistiger Fähigkeiten verwendet werden. Auch darf es nicht von Personen verwendet werden, die keine Erfahrung mit dem Gerät oder Kenntnis darüber haben, es sei denn, sie stehen beim Gebrauch unter der Aufsicht und Anleitung einer für deren Sicherheit verantwortlichen Person.
- ◆ Kinder müssen beaufsichtigt werden, um sicherzustellen, daß sie nicht mit dem Gerät spielen.

Symbole auf dem Ladegerät



Ihr Ladegerät ist schutzisoliert, daher ist keine Erdleitung erforderlich.



Ausfallsicherer Trenntransformator. Die Netzspannungsversorgung ist vom Transformatorausgang elektrisch getrennt.



Das Ladegerät schaltet automatisch ab, wenn die Umgebungstemperatur zu hoch wird. Danach ist das Ladegerät außer Funktion. Das Gerät muß vom Netz getrennt und zur Reparatur zu einem autorisierten Servicecenter gebracht werden.



Das Ladegerät ist ausschließlich für den Gebrauch in geschlossenen Räumen vorgesehen.



Lesen Sie diese Anleitung gründlich durch, bevor Sie das Gerät verwenden.

Achtung! Bewahren Sie elektrische Geräte außerhalb der Reichweite von Kindern oder schwachen Personen auf. Lassen Sie sie die Geräte niemals ohne Beaufsichtigung benutzen.

Merkmale

1. Ein-/Aus-Schalter
2. Schmutzfangbehälter

Abb. A

3. Fugendüse
4. Bürstendüse

Auspacken

Identifizierung Ihres Produkts

Die Modellkonstruktion läßt sich an den in der Katalognummer verwendeten Suffix-Codes feststellen. Die folgenden Katalognummern werden in diesem Handbuch beschrieben: NV19XXYZ H2/ NV24XXYZ H2/NV36XXYZ H2/ NV48XXYZ H2/NV60XXYZ H2/ NV72XXYZ H2

Der Suffix-Code XX entspricht folgenden Konstruktionen:

00/99: Stabhandgriff, kein mitgeliefertes Zubehör

03: Schlaufenhandgriff, Fugendüse und Bürstendüse im Lieferumfang

Der Suffix-Code Y wird zur Identifizierung der Palette an Farbe, Auflage und spezielle Optionen verwendet. Der durch den Buchstaben N vertretene Suffix-Code Z wird für Modelle mit einem NiMH-Akku verwendet.

Installation

NV24XXYZ/NV36XXYZ/NV48XXYZ/ NV60XXYZ/NV72XXYZ - Anbringen der Ladestation an der Wand (Abb. B1 & B2)

Die Ladestation kann auf eine Arbeitsfläche gestellt oder an der Wand angebracht werden, wodurch man einen bequemen Aufbewahrungs- und Ladeplatz für das Gerät erhält.

Montage

Anbringen des Zubehörs (Abb. A & C)

Im Lieferumfang des Gerätes sind folgende Zubehörteile enthalten, je nach Modell:

- ◆ Fugendüse (3) für schwer zugängliche Stellen
- ◆ eine Bürstendüse (4) für Möbel und Treppen

Um ein Zubehörteil anzubringen, gehen Sie folgendermaßen vor:

- ◆ Entfernen Sie das Zubehör vom Gerät.
- ◆ Stecken Sie das gewünschte Zubehörteil vorne in das Gerät.

Sie können das andere Zubehörteil wieder anbringen, indem Sie es in den Zubehörhalter einrasten lassen.

Um beide Zubehörteile wieder anzubringen:

- ◆ Drücken Sie die Zubehörteile herunter, bis sie in ihrer Lage einrasten.

Gebrauch

- ◆ Das Gerät kann auf einer Arbeitsfläche aufgeladen oder unter Verwendung des mitgelieferten Wandhakens an die Wand gehängt werden.
- ◆ Vor dem ersten Gebrauch muß der Akku mindestens 24 Stunden aufgeladen werden.
- ◆ Lassen Sie das Gerät mit dem Ladegerät verbunden, wenn Sie es nicht verwenden.

Aufladen des Akkus (Abb. B1 - B3)

NV24XXYZ/NV36XXYZ/NV48XXYZ/ NV60XXYZ/NV72XXYZ (fig. B1 & B2)

- ◆ Stellen Sie sicher, daß das Gerät ausgeschaltet ist. Der Akku wird nicht aufgeladen, wenn der Ein-/Ausschalter eingeschaltet ist.
- ◆ Bringen Sie das Gerät richtig am Ladegerät an. Richten Sie hierzu den Pfeil am Ladegerät mit dem Spalt des Geräts aus.
- ◆ Stecken Sie das Ladegerät in die Steckdose.
- ◆ Schalten Sie es am Hauptschalter ein.
- ◆ Lassen Sie das Gerät mindestens 24 Stunden aufladen.

NV19XXY (Abb. B3)

- ◆ Stellen Sie sicher, daß das Gerät ausgeschaltet ist. Der Akku wird nicht aufgeladen, wenn der Ein-/Ausschalter eingeschaltet ist.
- ◆ Stecken Sie den Ladegerätstecker (6) in die Ladegerätebuchse (7) hinten am Gerät.
- ◆ Stecken Sie das Ladegerät (5) in die Steckdose.
- ◆ Schalten Sie es am Hauptschalter ein.
- ◆ Lassen Sie das Gerät mindestens 24 Stunden aufladen.

Hinweis: Während des Ladevorgangs kann das Ladegerät warm werden. Dies ist normal und kein Anzeichen für einen Fehler. Das Gerät kann ständig am Stromnetz angeschlossen bleiben.

Achtung! Laden Sie den Akku nicht bei einer Umgebungstemperatur unter 10 °C oder über 40 °C.

Ein- und Ausschalten (Abb. D)

- ◆ Zum Einschalten schieben Sie den Ein-/Ausschalter (1) nach vorn.
- ◆ Zum Ausschalten schieben Sie den Ein-/Ausschalter nach hinten.

Reinigung und Wartung

Achtung! Reinigen Sie regelmäßig die Filter.

Reinigung des Schmutzfangbehälters und des Filters (Abb. E & F)

Die Filter sind wiederverwendbar und sollten regelmäßig gereinigt werden.

- ◆ Entfernen Sie den Schmutzfangbehälter (2) durch Drehen gegen den Uhrzeigersinn.
- ◆ Leeren Sie den Schmutzfangbehälter.
- ◆ Entfernen Sie die Filterbaugruppe (8) durch Drehen gegen den Uhrzeigersinn.
- ◆ Waschen Sie die Filter in warmem Seifenwasser. Gegebenenfalls kann der Behälter ebenfalls gewaschen werden. Tauchen Sie das Gerät nicht in Wasser ein.
- ◆ Stellen Sie sicher, daß Schmutzfangbehälter und Filter trocken sind.

- ◆ Bringen Sie die Filterbaugruppe (8) wieder am Gerät an, indem sie im Uhrzeigersinn gedreht wird, bis sie in ihrer Lage einrastet.
- ◆ Bringen Sie den Schmutzfangbehälter wieder am Gerät an. Stellen Sie sicher, daß der Schmutzfangbehälter richtig einrastet.

Achtung! Verwenden Sie das Gerät nie ohne die Filter. Eine optimale Schmutzaufnahme kann nur bei sauberen Filtern und leerem Schmutzfangbehälter erzielt werden.

Erneuern der Filter

Die Filter sollten alle 6 bis 9 Monate sowie bei Verschleiß oder Beschädigung erneuert werden. Ersatzfilter erhalten Sie bei Ihrem Black & Decker Händler (Katalognummer: VF60).

- ◆ Entfernen Sie die alten Filter wie oben beschrieben.
- ◆ Bringen Sie die neuen Filter wie oben beschrieben an.

Umweltschutz



Getrennte Entsorgung. Dieses Produkt darf nicht über den normalen Hausmüll entsorgt werden.

Sollte Ihr Black & Decker Produkt eines Tages erneuert werden müssen, oder falls Sie es nicht weiter verwenden wollen, so darf es nicht über den Hausmüll entsorgt werden. Stellen Sie dieses Produkt zur getrennten Entsorgung bereit.



Durch die getrennte Entsorgung gebrauchter Produkte und Verpackungen können die Materialien recycelt und wiederverwertet werden. Die Wiederverwertung recycelter Materialien schont die Umwelt und verringert die Nachfrage nach Rohstoffen.

Die regionalen Bestimmungen schreiben unter Umständen die getrennte Entsorgung elektrischer Produkte aus

dem Haushalt an Sammelstellen oder seitens des Händlers vor, bei dem Sie das neue Produkt erworben haben.

Black & Decker nimmt Ihre ausgedienten Black & Decker Geräte gern zurück und sorgt für eine umweltfreundliche Entsorgung und Wiederverwertung. Um diesen Dienst zu nutzen, schicken Sie bitte Ihr Produkt zu einer Vertragswerkstatt. Hier wird es dann auf unsere Kosten gesammelt.

Die Adresse der zuständigen Black & Decker Vertretung steht in diesem Handbuch, darüber läßt sich die nächstgelegene Vertragswerkstatt ermitteln. Außerdem ist eine Liste der Vertragswerkstätten und aller Kundendienststellen von Black & Decker sowie der zuständigen Ansprechpartner im Internet zu finden unter: www.2helpU.com

Akku (Abb. G)



Falls Sie das Gerät entsorgen möchten, ist der Akku wie nachfolgend beschrieben zu entfernen und gemäß den örtlichen Vorschriften zu entsorgen.

Falls Sie das Gerät selbst entsorgen möchten, ist der Akku wie nachfolgend beschrieben zu entfernen und gemäß den örtlichen Vorschriften zu entsorgen.

Achtung! Trennen Sie das Gerät vom Stromnetz, bevor Sie den Akku entfernen.

- ◆ Entladen Sie den Akku, indem das Gerät solange betrieben wird, bis der Motor stehen bleibt.
- ◆ Entfernen Sie das Zubehör vom Gerät.
- ◆ Entfernen Sie die Schrauben (9).
- ◆ Öffnen Sie das Gerät.
- ◆ Entfernen Sie den Akku und das daran angebrachte Motor- und Schaltermodul (10).
- ◆ Verwenden Sie einen Schraubendreher, um den Akku vom Motor- und Schaltermodul zu entfernen.

DEUTSCH

- ◆ Legen Sie den Akku in eine geeignete Verpackung, um sicherzustellen, daß die Akkuanschlüsse nicht kurzgeschlossen werden können.
- ◆ Zur Wiederverwertung oder umweltverträglichen Entsorgung ist der Akku bei Ihrem Händler oder einer kommunalen Sammelstelle abzugeben.

Achtung! Ist der Akku erst einmal ausgebaut, kann er nicht wieder eingebaut werden.

Technische Daten

		NV19XXYZ H2	NV24XXYZ H2
Spannung	V	2,4	2,4
Akkutyp		NiCd/NiMH	NiCd/NiMH
Gewicht	kg	0,65	0,65

		NV36XXYZ H2	NV48XXYZ H2
Spannung	V	3,6	4,8
Akkutyp		NiCd/NiMH	NiCd/NiMH
Gewicht	kg	0,7	0,85

		NV60XXYZ H2	NV72XXYZ H2
Spannung	V	6,0	7,2
Akkutyp		NiCd/NiMH	NiCd/NiMH
Gewicht	kg	0,9	0,95

Ladegerät

		*A035015D	*A050020D
Modell		NV19/NV24	NV36
Netzspannung	V_{AC}	230	230
Ausgangs- spannung	V_{AC}	3,5	5
Amperezahl	mA	150	200
Ladezeit (zirka)	h	24	24
Gewicht	kg	0,2	0,2

		*A070015D	*A075020D
Modell		NV48	NV60
Netzspannung	V_{AC}	230	230
Ausgangs- spannung	V_{AC}	7	7,5
Amperezahl	mA	150	200
Ladezeit (zirka)	h	24	24
Gewicht	kg	0,2	0,2

		*A090020D
Modell		NV72
Netzspannung	V_{AC}	230
Ausgangs- spannung	V_{AC}	9
Amperezahl	mA	200
Ladezeit (zirka)	h	24
Gewicht	kg	0,2

Höhe des Schalldrucks gemäß EN 60704-1:

Schalldruck (L_{pA}) < 70 dB(A), Unsicherheitsfaktor (K) 3 dB(A)

Europäische Gemeinschaft-
Patentanmeldungsnummer:
000 540 745 & 000 540 752

Europäische Gemeinschaft-
Designanmeldungsnummer:
000 541 230 & 000 540 752

DUSTBUSTER ist ein eingetragenes
Warenzeichen der Black & Decker
Corporation.

Garantie

Black & Decker vertraut auf die Qualität der eigenen Geräte und bietet dem Käufer eine außergewöhnliche Garantie. Diese Garantiezusage versteht sich unbeschadet der gesetzlichen Gewährleistungsansprüche und schränkt diese keinesfalls ein. Sie gilt in sämtlichen Mitgliedsstaaten der Europäischen Union und der Europäischen Freihandelszone EFTA.

Tritt innerhalb von 24 Monaten ab Kaufdatum an einem Gerät von Black & Decker ein auf Material- oder Verarbeitungsfehler zurückzuführender Mangel auf, garantiert Black & Decker den Austausch defekter Teile, die Reparatur von Geräten mit üblichem Verschleiß bzw. den Austausch eines mangelhaften Geräts, ohne den Kunden dabei mehr als unbedingt nötig in Anspruch zu nehmen, allerdings vorbehaltlich folgender Ausnahmen:

- ◆ wenn das Gerät gewerblich, beruflich oder im Verleihgeschäft benutzt wurde;
- ◆ wenn das Gerät mißbräuchlich verwendet oder mit mangelnder Sorgfalt behandelt wurde;
- ◆ wenn das Gerät durch irgendwelche Fremdeinwirkung beschädigt wurde;
- ◆ wenn ein unbefugter Reparaturversuch durch anderes Personal als das einer Vertragswerkstatt oder des Black & Decker-Kundendienstes unternommen wurde.

Zur Inanspruchnahme dieser Garantie ist dem Verkäufer bzw. der Vertragswerkstatt ein Kaufnachweis vorzulegen. Der Kaufnachweis muß Kaufdatum und Gerätetyp bescheinigen. Die Adresse des zuständigen Büros von Black & Decker steht in dieser Anleitung, darüber läßt sich die nächstgelegene Vertragswerkstatt ermitteln. Außerdem ist eine Liste der Vertragswerkstätten und aller Kundendienststellen von Black & Decker sowie der zuständigen Ansprechpartner im Internet zu finden unter: **www.2helpU.com**

Bitte besuchen Sie unsere Webseite **www.blackanddecker.de**, um Ihr neues Black & Decker Produkt zu registrieren und über neue Produkte und Sonderangebote aktuell informiert zu werden. Weitere Informationen über die Marke Black & Decker und unsere Produkte finden Sie unter **www.blackanddecker.de**

Utilisation prévue

Votre Dustbuster® de Black & Decker est un aspirateur de petits déchets. Ce produit a été conçu uniquement pour une utilisation domestique.

Instructions de sécurité

- ◆ **Attention !** Lors de l'utilisation d'appareils sans fil, observez toujours les consignes de sécurité élémentaires, y compris celles qui suivent afin de réduire les risques d'incendie, de fuite de batterie, de blessures et de dommage matériel.
- ◆ Lisez et observez attentivement les instructions avant d'utiliser l'appareil.
- ◆ Ce manuel décrit l'utilisation prévue. Une utilisation de l'appareil autre que celles prévues dans le présent manuel ou l'utilisation d'accessoires autres que ceux recommandés dans le présent manuel peut présenter un risque de blessure.
- ◆ Conservez ce manuel à titre de référence.

Utilisation de votre appareil

- ◆ N'utilisez pas l'appareil pour aspirer des liquides ou des matières inflammables.
- ◆ N'utilisez pas l'appareil près de l'eau. N'immergez pas l'appareil dans l'eau.
- ◆ Ne tirez jamais sur le fil du chargeur pour le débrancher. Préservez le chargeur de la chaleur, des corps gras et des arêtes tranchantes.

Après utilisation

- ◆ Débranchez le chargeur avant de le nettoyer.
- ◆ Rangez l'appareil dans un endroit sec. Les enfants ne doivent pas pouvoir accéder aux appareils, même rangés.

Inspection et réparations

- ◆ Avant d'utiliser l'appareil, vérifiez qu'il n'est pas endommagé et qu'aucune pièce n'est défectueuse. Assurez-vous que les pièces et les boutons ne sont pas endommagés et recherchez tout autre facteur qui pourrait nuire à son fonctionnement.

- ◆ N'utilisez pas l'appareil si une pièce est endommagée ou défectueuse.
- ◆ Faites réparer ou remplacer toute pièce endommagée par un réparateur agréé.
- ◆ Vérifiez régulièrement le fil du chargeur pour vous assurer qu'il n'est pas endommagé. Remplacez le chargeur si le fil est endommagé ou défectueux.
- ◆ N'essayez jamais d'enlever ou de changer des pièces autres que celles spécifiées dans ce manuel.

Risques résiduels

L'utilisation d'un outil non mentionné dans les consignes de sécurité données peut entraîner des risques résiduels supplémentaires. Ces risques peuvent survenir si l'outil est mal utilisé, si l'utilisation est prolongée, etc.

Malgré l'application des normes de sécurité correspondantes et la présence de dispositifs de sécurité, les risques résiduels suivants ne peuvent être évités. Ceci comprend :

- ◆ Les blessures dues au contact avec une pièce mobile / en rotation.
- ◆ Les blessures causées en changeant des pièces, lames ou accessoires.
- ◆ Les blessures dues à l'utilisation prolongée d'un outil. Une utilisation prolongée de l'outil nécessite des pauses régulières.
- ◆ Déficience auditive.
- ◆ Risques pour la santé causés par l'inhalation de poussières produites pendant l'utilisation de l'outil (exemple : travail avec du bois, surtout le chêne, le hêtre et les panneaux en MDF).

Sécurité des tiers

- ◆ Cet appareil n'est pas destiné à être utilisé par des personnes (notamment des enfants) présentant des capacités physiques, sensorielles ou mentales limitées voire dépourvues de connaissance et d'expérience, sauf si elles sont supervisées ou ont reçu des instructions pour l'usage de l'appareil par une personne responsable de leur sécurité.
- ◆ Les enfants ne doivent pas jouer avec l'appareil.

Instructions de sécurité supplémentaires pour les batteries et chargeurs

Batteries

- ◆ Ne tentez jamais d'ouvrir pour quelque raison que ce soit.
- ◆ N'exposez pas la batterie à l'humidité.
- ◆ N'exposez pas la batterie à la chaleur.
- ◆ Ne rangez pas dans des endroits dont la température peut dépasser 40 °C.
- ◆ Chargez uniquement à une température ambiante entre 10 °C et 40 °C.
- ◆ Chargez uniquement avec le chargeur fourni avec l'outil/appareil.
- ◆ Pour la mise au rebut des batteries, suivez les instructions de la section "Protection de l'environnement".
- ◆ N'endommagez et ne déformez pas la batterie (piqûre ou impact). Vous pourriez créer un risque de blessure ou d'incendie.
- ◆ Ne chargez pas les batteries endommagées.
- ◆ Dans des conditions extrêmes, une batterie peut fuir. Si vous remarquez que les batteries ont coulé, procédez comme suit :
- ◆ Essayez soigneusement le liquide à l'aide d'un chiffon. Évitez le contact avec la peau.
- ◆ En cas de contact avec la peau ou les yeux, suivez les instructions ci-dessous.

Attention ! Le liquide de batterie peut causer des blessures ou des dégâts. En cas de contact avec la peau, rincez abondamment à l'eau. En présence de rougeurs, douleurs ou irritations, consultez un médecin. En cas de contact avec les yeux, rincez-les immédiatement à l'eau claire et consultez un médecin.

Chargeurs

Votre chargeur a été conçu pour une tension spécifique. Vérifiez toujours que la tension du secteur correspond à la tension indiquée sur la plaque d'identification.

Attention ! Ne tentez jamais de remplacer le chargeur par une prise secteur normale.

- ◆ Utilisez uniquement votre chargeur Black & Decker pour charger les batteries fournies avec l'outil/l'appareil ou de même type et modèle. D'autres batteries pourraient exploser et causer des dommages ou blessures.
- ◆ Ne tentez jamais de charger des batteries non rechargeables.
- ◆ Si le câble d'alimentation est endommagé, il doit être remplacé par le fabricant ou par un centre de réparation agréé Black & Decker afin d'éviter tout accident.
- ◆ Ne mettez pas le chargeur en contact avec de l'eau.
- ◆ N'ouvrez pas le chargeur.
- ◆ Ne testez pas le chargeur.
- ◆ Pendant la charge, l'appareil/outil/batterie doit être placé dans une zone bien ventilée.

Sécurité électrique

Votre chargeur a été conçu pour une tension spécifique. Vérifiez toujours que la tension du secteur correspond à la tension indiquée sur la plaque d'identification. Ne tentez jamais de remplacer le chargeur par une prise secteur normale.

- ◆ Cet appareil n'est pas destiné à être utilisé par des personnes (notamment des enfants) présentant des capacités physiques, sensorielles ou mentales limitées voire dépourvues de connaissance et d'expérience, sauf si elles sont supervisées ou ont reçu des instructions pour l'usage de l'appareil par une personne responsable de leur sécurité.
- ◆ Les enfants ne doivent pas jouer avec l'appareil.

Symboles apposés sur le chargeur



Votre chargeur est doublement isolé ; par conséquent, aucun câble de masse n'est nécessaire.



Transformateur à sécurité intrinsèque. L'alimentation secteur est électriquement séparée de la sortie du transformateur.



Le chargeur s'arrête automatiquement si la température ambiante est trop élevée. Par conséquent, le chargeur devient inutilisable. L'unité doit être débranchée du secteur puis apportée à un centre d'entretien agréé pour réparation.



Le chargeur a été conçu pour être utilisé uniquement à l'intérieur.



Lisez et observez attentivement les instructions avant d'utiliser l'appareil.

Attention ! Maintenez les appareils électriques hors de portée des enfants et des personnes infirmes. Ne les laissez pas utiliser les appareils sans votre supervision.

Caractéristiques

1. Interrupteur marche/arrêt
2. Réservoir à poussières

Fig. A

3. Suceur plat
4. Brosse

Déballage

Identification de votre produit

Le type du modèle peut être déterminé à partir des codes de suffixe utilisés dans la référence catalogue. Les références catalogue suivantes sont décrites dans ce manuel : NV19XXYZ H2/NV24XXYZ H2/NV36XXYZ H2/NV48XXYZ H2/NV60XXYZ H2/NV72XXYZ H2

Le code suffixe XX correspond aux types suivants :

00/99: poignée bâton, aucun accessoire fourni

03: poignée boucle, fourni avec brosse et suceur plat

Le code suffixe Y identifie la gamme de couleur, édition et options spéciales. Le

code suffixe Z représenté par la lettre N concerne les modèles avec une batterie NiMH.

Installation

NV24XXYZ/NV36XXYZ/NV48XXYZ/NV60XXYZ/NV72XXYZ - Mise en place de la base de chargement sur le mur (fig. B1 & B2)

La base de chargement peut être fixée sur un plan de travail ou au mur de manière à permettre un rangement pratique de l'appareil et à lui fournir un point de chargement.

Montage

Mise en place des accessoires (fig. A & C)

Selon le modèle, l'outil est équipé des accessoires suivants :

- ◆ un suceur plat (3) pour les espaces difficiles d'accès
- ◆ une brosse (4) pour les meubles et les escaliers

Procédez comme suit pour la mise en place d'un accessoire :

- ◆ Retirez les accessoires de l'appareil.
- ◆ Insérez l'accessoire approprié à l'avant de l'appareil.

Vous pouvez remettre l'autre accessoire en place en l'enclenchant dans le porte-accessoires.

Pour remettre les deux accessoires en place :

- ◆ Poussez les accessoires vers le bas jusqu'à ce qu'ils s'enclenchent.

Utilisation

- ◆ L'appareil peut être rechargé tout en étant posé sur le plan de travail ou suspendu au mur à l'aide du crochet fourni.
- ◆ Chargez la batterie pendant au moins 24 heures avant la première utilisation.
- ◆ Laissez le chargeur connecté à l'appareil lorsque ce dernier n'est pas utilisé.

Chargement de la batterie (fig. B1 - B3)

NV24XXYZ/NV36XXYZ/NV48XXYZ/ NV60XXYZ/NV72XXYZ (fig. B1 & B2)

- ◆ Assurez-vous que l'appareil est éteint. La batterie ne se chargera pas si le bouton marche/arrêt est sur la position marche.
- ◆ Insérez l'appareil correctement sur le chargeur en alignant la flèche sur le chargeur avec la fente sur l'appareil.
- ◆ Branchez le chargeur.
- ◆ Mettez sous tension.
- ◆ Laissez l'appareil se charger pendant au moins 24 heures.

NV19XXY (fig. B3)

- ◆ Assurez-vous que l'appareil est éteint. La batterie ne se chargera pas si le bouton marche/arrêt est sur la position marche.
- ◆ Insérez la prise du chargeur (6) dans le connecteur du chargeur (7) à l'arrière de l'appareil.
- ◆ Branchez le chargeur (5).
- ◆ Mettez sous tension.
- ◆ Laissez l'appareil se charger pendant au moins 24 heures.

Remarque : Le chargeur peut chauffer pendant la charge. C'est normal et n'indique pas une défaillance. L'appareil peut rester branché indéfiniment au chargeur.

Attention ! Ne chargez pas la batterie à une température ambiante inférieure à 10 °C ou supérieure à 40 °C.

Démarrage et arrêt (fig. D)

- ◆ Pour mettre en marche, faites glisser l'interrupteur de marche/arrêt (1) en avant.
- ◆ Pour éteindre l'appareil, faites glisser le bouton marche/arrêt vers l'arrière.

Entretien et nettoyage

Attention ! Nettoyez régulièrement les filtres.

Nettoyage du réservoir à poussières et des filtres (fig. E & F)

Les filtres sont réutilisables et doivent être nettoyés régulièrement.

- ◆ Enlevez le réservoir à poussières (2) en le faisant tourner dans le sens anti-horaire.
- ◆ Videz le réservoir à poussières.
- ◆ Retirez le filtre (8) en le faisant tourner dans le sens anti-horaire.
- ◆ Lavez les filtres dans de l'eau tiède et savonneuse. Vous pouvez aussi laver le réservoir au besoin. N'immergez pas l'appareil dans l'eau.
- ◆ Assurez-vous que le réservoir à poussières et les filtres sont secs.
- ◆ Remplacez le filtre (8) sur l'appareil, en le faisant tourner dans le sens horaire pour l'enclencher.
- ◆ Remplacez le réservoir à poussières sur l'appareil. Assurez-vous que le réservoir à poussières est bien enclenché.

Attention ! N'utilisez jamais l'appareil sans les filtres. Seuls des filtres propres et un réservoir à poussières vide peuvent procurer une aspiration optimale.

Remplacement des filtres

Les filtres doivent être remplacés tous les 6 à 9 mois et chaque fois qu'ils sont usés ou endommagés. Vous pouvez vous procurer des filtres de remplacement auprès des détaillants Black & Decker (numéro du catalogue: VF60).

- ◆ Retirez les filtres usagés comme indiqué ci-dessus.
- ◆ Installez les filtres neufs comme indiqué ci-dessus.

Protection de l'environnement



Collecte séparée. Ce produit ne doit pas être jeté avec les déchets domestiques normaux.

Si vous décidez de remplacer ce produit Black & Decker, ou si vous n'en avez plus l'utilité, ne le jetez pas avec vos déchets domestiques. Rendez-le disponible pour une collecte séparée.



La collecte séparée des produits et emballages usés permet le recyclage des articles afin de les utiliser à nouveau. Le fait d'utiliser à nouveau des produits recyclés permet d'éviter la pollution environnementale et de réduire la demande de matières premières.

Les réglementations locales peuvent permettre la collecte séparée des produits électriques du foyer, dans des déchetteries municipales ou auprès du revendeur vous ayant vendu votre nouveau produit.

Black & Decker fournit un dispositif permettant de collecter et de recycler les produits Black & Decker lorsqu'ils ont atteint la fin de leur cycle de vie. Pour pouvoir profiter de ce service, veuillez retourner votre produit à un réparateur agréé qui se chargera de le collecter pour nous.

Pour connaître l'adresse du réparateur agréé le plus proche de chez vous, contactez le bureau Black & Decker à l'adresse indiquée dans ce manuel. Vous pourrez aussi trouver une liste des réparateurs agréés de Black & Decker et de plus amples détails sur notre service après-vente sur le site Internet à l'adresse suivante : www.2helpU.com

Batterie (fig. G)



Pour mettre le produit au rebut, vous devez retirer la batterie comme indiqué ci-dessous et la jeter en respectant la réglementation locale.

Si vous désirez vous débarrasser de votre appareil vous-même, vous devez retirer la batterie comme indiqué ci-dessous et la jeter en respectant la réglementation locale.

Attention ! Débranchez l'appareil du secteur avant de retirer la batterie.

- ◆ Déchargez la batterie en faisant fonctionner l'appareil jusqu'à ce que le moteur s'arrête.
- ◆ Retirez les accessoires de l'appareil.
- ◆ Enlevez les vis (9).
- ◆ Ouvrez l'appareil.
- ◆ Retirez la batterie et le moteur fixé ainsi que le module de commutation (10).
- ◆ Avec un tournevis, séparez la batterie du moteur et du module de commutation.
- ◆ Placez la batterie dans un emballage adapté pour éviter toute possibilité de court-circuit entre les bornes.
- ◆ Apportez-la à votre distributeur ou à un centre de recyclage local.

Attention ! Une fois retirée, la batterie ne peut plus être remise en place.

Caractéristiques techniques

	NV19XXYZ H2	NV24XXYZ H2
Tension	V 2,4	2,4
Type de batterie	NiCd/NiMH	NiCd/NiMH
Poids	kg 0,65	0,65

	NV36XXYZ H2	NV48XXYZ H2
Tension	V 3,6	4,8
Type de batterie	NiCd/NiMH	NiCd/NiMH
Poids	kg 0,7	0,85

	NV60XXYZ H2	NV72XXYZ H2
Tension	V 6,0	7,2
Type de batterie	NiCd/NiMH	NiCd/NiMH
Poids	kg 0,9	0,95

Chargeur

	*A035015D	*A050020D
Modèle	NV19/NV24	NV36
Tension secteur V_{AC}	230	230
Tension de sortie V_{AC}	3,5	5
Ampérage mA	150	200
Temps de chargement approx.	h 24	24
Poids	kg 0,2	0,2

	*A070015D	*A075020D
Modèle	NV48	NV60
Tension secteur V_{AC}	230	230
Tension de sortie V_{AC}	7	7,5
Ampérage mA	150	200
Temps de chargement approx.	h 24	24
Poids kg	0,2	0,2

	*A090020D
Modèle	NV72
Tension secteur V_{AC}	230
Tension de sortie V_{AC}	9
Ampérage mA	200
Temps de chargement approx.	h 24
Poids kg	0,2

Niveau de pression acoustique selon EN 60704-1 :

Pression acoustique (L_{pA}) < 70 dB(A), incertitude (K) 3 dB(A)

Numéro de demande de brevet UE :
000 540 745 & 000 540 752

Numéro de demande de brevet UE :
000 541 230 & 000 540 752

DUSTBUSTER est une marque commerciale déposée de Black & Decker Corporation.

Garantie

Black & Decker est confiant dans la qualité de ses produits et vous offre une garantie très étendue. Ce certificat de garantie est un document supplémentaire et ne peut en aucun cas se substituer à vos droits légaux. La garantie est valable sur tout le territoire des Etats Membres de l'Union Européenne et de la Zone de Libre Echange Européenne.

Si un produit Black & Decker s'avère défectueux en raison de matériaux en mauvaises conditions, d'une erreur humaine, ou d'un manque de conformité dans les 24 mois suivant la date d'achat, Black & Decker garantit le remplacement des pièces défectueuses, la réparation des produits usés ou cassés ou remplace ces produits à la convenance du client, sauf dans les circonstances suivantes :

- ◆ Le produit a été utilisé dans un but commercial, professionnel, ou a été loué.
- ◆ Le produit a été mal utilisé ou avec négligence.
- ◆ Le produit a subi des dommages à cause d'objets étrangers, de substances ou à cause d'accidents.
- ◆ Des réparations ont été tentées par des techniciens ne faisant pas partie du service technique de Black & Decker.

Pour avoir recours à la garantie, il est nécessaire de fournir une preuve d'achat au vendeur ou à un réparateur agréé. Pour connaître l'adresse du réparateur agréé le plus proche de chez vous, contactez le bureau Black & Decker à l'adresse indiquée dans ce manuel. Vous pourrez aussi trouver une liste des réparateurs agréés de Black & Decker et de plus amples détails sur notre service après-vente sur le site Internet à l'adresse suivante : www.2helpU.com

Visitez notre site Web [www.](http://www.blackanddecker.fr)

[blackanddecker.fr](http://www.blackanddecker.fr) pour enregistrer votre nouveau produit Black & Decker et être informé des nouveaux produits et des offres spéciales. Pour plus d'informations concernant la marque Black & Decker et notre gamme de produits, consultez notre site www.blackanddecker.fr

Uso previsto

Il Dustbuster® della Black & Decker è un aspirapolvere manuale a secco per applicazioni leggere. Questo prodotto è destinato esclusivamente all'uso domestico.

Precauzioni di sicurezza

- ◆ **Attenzione!** Quando si adoperano apparecchi a batteria, per ridurre il rischio di incendi, fuoriuscita di liquido dalle pile, infortuni personali e danni materiali, è necessario osservare alcune precauzioni di sicurezza fondamentali, comprese le seguenti.
- ◆ Prima di adoperare l'elettrodomestico, leggere attentamente le istruzioni del presente manuale.
- ◆ L'utilizzo previsto è quello descritto in questo manuale. L'uso di accessori o attrezzature diversi o l'uso di questo apparecchio per scopi diversi da quelli indicati nel presente manuale comportano il rischio di infortuni.
- ◆ Conservare questo manuale di istruzioni per successive consultazioni.

Uso dell'elettrodomestico

- ◆ Non usare l'apparecchio per aspirare liquidi o materiali che potrebbero incendiarsi.
- ◆ Non utilizzare l'apparecchio in prossimità dell'acqua. Non immergere l'elettrodomestico in acqua.
- ◆ Non tirare mai il filo del caricabatterie per estrarlo dalla presa. Mantenere il filo del caricabatterie lontano da fonti di calore, olio e spigoli taglienti.

Dopo l'uso

- ◆ Scollegare il caricabatterie dalla presa elettrica prima di pulirlo.
- ◆ Quando non è in funzione, l'elettrodomestico deve essere conservato in un luogo asciutto. Inaccessibile ai bambini.

Ispezione e riparazioni

- ◆ Prima dell'uso, verificare che non vi siano componenti danneggiati o difettosi. Verificare anche che non vi siano parti rotte, che gli interruttori non siano danneggiati e che non vi sia nulla che comprometta il funzionamento.

- ◆ Non usare l'elettrodomestico se sono presenti elementi danneggiati o difettosi.
- ◆ Eventuali elementi difettosi o danneggiati devono essere sostituiti o riparati da un tecnico autorizzato.
- ◆ Verificare regolarmente che il filo del caricabatterie non sia danneggiato. Sostituire il caricabatterie se il filo è danneggiato o difettoso.
- ◆ Non tentare mai di smontare o sostituire componenti diversi da quelli indicati nel presente manuale.

Rischi residui

Altri rischi residui che possono sorgere durante l'impiego dell'utensile e che possono non essere stati contemplati dagli allegati avvisi di sicurezza. Tali rischi possono sorgere a seguito di un uso prolungato o improprio, ecc.

Perfino adottando gli appositi regolamenti di sicurezza e utilizzando i dispositivi di sicurezza, certi rischi residui non possono essere evitati. Essi comprendono:

- ◆ Lesioni causate o subite a seguito del contatto con parti rotanti / in movimento.
- ◆ Lesioni causate o subite durante la sostituzione di parti, lame o accessori.
- ◆ Lesioni causate dall'impiego prolungato di un utensile. Quando si usa qualsiasi utensile per lunghi periodi, accertarsi di fare regolarmente delle pause.
- ◆ Problemi di udito.
- ◆ Rischi per la salute causati dall'aspirazione di polvere generata dall'utilizzo dell'utensile (ad esempio: quando si lavora con il legno, in modo particolare quello di quercia, faggio o l'MDF).

Sicurezza altrui

- ◆ Questo elettrodomestico non è destinato ad essere utilizzato da persone (bambini inclusi) con ridotte capacità fisiche, sensoriali o mentali, senza esperienza o non in possesso delle dovute conoscenze, senza la supervisione o l'addestramento da parte di una persona responsabile per la loro sicurezza.
- ◆ Controllare i bambini per evitare che giochino con l'elettrodomestico.

Istruzioni supplementari sulla sicurezza per batterie e caricabatterie

Batterie

- ◆ Non tentare mai di aprire le batterie, per nessuna ragione.
- ◆ Non esporre la batteria all'acqua.
- ◆ Non esporre la batteria al calore.
- ◆ Non conservarle in ambienti in cui la temperatura possa superare i 40 °C.
- ◆ Caricare le batterie solo a temperatura ambiente compresa tra 10 °C e 40 °C.
- ◆ Caricare la batteria solo usando il caricabatterie fornito con l'apparecchio/utensile.
- ◆ Per smaltire le batterie seguire le istruzioni riportate nel capitolo "Protezione dell'ambiente".
- ◆ Non danneggiare o deformare la batteria forandola o colpendola, in quanto ciò può esporre al rischio di infortuni e incendi.
- ◆ Non ricaricare batterie danneggiate.
- ◆ In condizioni estreme, la batteria può perdere liquido. Se si rileva la presenza di liquido sulle batterie, procedere come segue:
- ◆ Asciugare con cura il liquido usando un panno. Evitare il contatto con l'epidermide.
- ◆ In caso di contatto con l'epidermide o gli occhi, osservare le seguenti istruzioni.

Attenzione! Il fluido delle batterie può causare lesioni o danni agli oggetti. In caso di contatto con l'epidermide, sciacquare immediatamente con acqua. Se si verificano arrossamenti, dolore o irritazioni rivolgersi a un medico. In caso di contatto con gli occhi, sciacquare immediatamente con acqua pulita e rivolgersi a un medico.

Caricabatterie

Il caricabatterie è predisposto per essere alimentato con una specifica tensione. Controllare che la tensione di alimentazione corrisponda a quella indicata sulla targhetta con i dati caratteristici.

Attenzione! Non cercare di utilizzare una normale presa di corrente al posto del caricabatterie.

- ◆ Usare il caricabatterie Black & Decker soltanto per caricare le batterie fornite con l'apparecchio/l'elettrodotensile. Batterie di altro tipo possono esplodere, provocando danni a persone e cose.
- ◆ Non tentare mai di ricaricare una batteria non ricaricabile.
- ◆ Se il cavo elettrico in dotazione risulta danneggiato, deve essere sostituito dal produttore o da un Centro di assistenza autorizzato Black & Decker, onde evitare rischi.
- ◆ Non esporre il caricabatterie all'acqua.
- ◆ Non aprire il caricabatterie.
- ◆ Non applicare i puntali di un multimetro sul caricabatterie.
- ◆ Durante la ricarica, l'apparecchio/utensile/batteria devono essere collocati in un'area ben ventilata.

Sicurezza elettrica

Il caricabatterie è predisposto per essere alimentato con una specifica tensione. Controllare che la tensione di alimentazione corrisponda a quella indicata sulla targhetta con i dati caratteristici. Non cercare di utilizzare una normale presa di corrente al posto del caricabatterie.

- ◆ Questo elettrodotensile non è destinato ad essere utilizzato da persone (bambini inclusi) con ridotte capacità fisiche, sensoriali o mentali, senza esperienza o non in possesso delle dovute conoscenze, senza la supervisione o l'addestramento da parte di una persona responsabile per la loro sicurezza.
- ◆ Controllare i bambini per evitare che giochino con l'elettrodotensile.

Simboli sul caricabatterie



Il caricabatterie è provvisto di doppio isolamento che rende superflua la messa a terra.



F

Trasformatore isolante a prova di guasto. L'alimentazione di rete è separata elettricamente dall'uscita del trasformatore.



Il caricabatterie si spegne automaticamente se la temperatura ambiente sale eccessivamente. Come conseguenza, il caricabatterie diventerà inutilizzabile. L'unità dovrà essere scollegata dalla rete elettrica e portata presso un centro assistenza autorizzato per la riparazione.



Il caricabatterie è destinato ad essere usato esclusivamente in ambienti interni.



Prima di adoperare l'elettrodomestico, leggere attentamente le istruzioni del presente manuale.

Attenzione! Tenere gli apparecchi fuori dalla portata dei bambini o delle persone inabili. Non consentire loro di usare gli apparecchi senza la supervisione di un adulto.

Funzioni

1. Interruttore acceso/spento
2. Contenitore di raccolta della polvere

Fig. A

3. Bocchetta a lancia
4. Spazzola

Disimballaggio

Identificazione del prodotto

Il modello può essere identificato dai codici di suffisso utilizzati nel numero di catalogo. In questo manuale sono descritti i seguenti numeri di catalogo: NV19XXYZ H2/
NV24XXYZ H2/NV36XXYZ H2/
NV48XXYZ H2/NV60XXYZ H2/
NV72XXYZ H2

Il codice di suffisso XX corrisponde ai seguenti modelli:

00/99: impugnatura ad asta, nessun accessorio fornito

03: impugnatura ad anello, fornita con bocchetta a lancia e spazzola

Il codice di suffisso Y è utilizzato per identificare la gamma di colore, edizione e opzioni speciali. Il codice di suffisso Z rappresentato dalla lettera N, è utilizzato per i modelli con una batteria NiMH.

Installazione

NV24XXYZ/NV36XXYZ/NV48XXYZ/ NV60XXYZ/NV72XXYZ - Fissaggio alla parete della base di ricarica (fig. B1 & B2)

La base di ricarica può essere collocata su un piano di lavoro o fissata alla parete per offrire un comodo supporto nel quale riporre e caricare l'elettrodomestico.

Montaggio

Installazione degli accessori (fig. A & C)

A seconda del modello, l'elettrodomestico è fornito con in dotazione i seguenti accessori:

- ◆ una bocchetta a lancia (3) per spazi limitati
- ◆ una spazzola (4) per mobili e scale

Per montare un accessorio, procedere come segue:

- ◆ Prendere gli accessori dall'apparecchio.
- ◆ Inserire l'accessorio adatto nella parte anteriore dell'apparecchio.

Si può reinserire l'altro accessorio facendo clic nell'apposito supporto.

Per reinserire entrambi gli accessori:

- ◆ Spingere gli accessori verso il basso fino a che non si inseriscono a scatto nell'apposita sede.

Uso

- ◆ Per mettere in carica l'elettrodomestico, posizionarlo su un piano di lavoro o appenderlo a parete utilizzando l'apposito gancio in dotazione.
- ◆ Prima di usare l'elettrodomestico per la prima volta, la batteria deve restare in carica per almeno 24 ore.
- ◆ Lasciare l'elettrodomestico collegato al caricabatterie quando non viene utilizzato.

Carica della batteria (fig. B1 - B3)

NV24XXYZ/NV36XXYZ/NV48XXYZ/ NV60XXYZ/NV72XXYZ (fig. B1 & B2)

- ◆ Assicurarsi che l'apparecchio sia spento. La batteria non si caricherà se l'interruttore acceso/spento è in posizione acceso.
- ◆ Inserire correttamente l'elettrodomestico sul caricabatterie allineando la freccia sul caricabatterie con la fessura sull'elettrodomestico.
- ◆ Inserire la spina del caricabatterie nella presa.
- ◆ Accenderlo.
- ◆ Lasciare l'elettrodomestico in carica per almeno 24 ore.

NV19XXY (fig. B3)

- ◆ Assicurarsi che l'apparecchio sia spento. La batteria non si caricherà se l'interruttore acceso/spento è in posizione acceso.
- ◆ Inserire la spina del caricabatterie (6) nel connettore del caricabatterie (7) sul retro dell'elettrodomestico.
- ◆ Inserire la spina del caricabatterie nella presa (5).
- ◆ Accenderlo.
- ◆ Lasciare l'elettrodomestico in carica per almeno 24 ore.

Nota: Durante la ricarica, il caricabatterie può riscaldarsi. Ciò è normale e non indica alcun problema. L'apparecchio può restare attaccato al caricabatterie indefinitamente.

Attenzione! Non caricare la batteria con temperature ambiente inferiori ai 10 °C o superiori ai 40 °C.

Avviamento e spegnimento (fig. D)

- ◆ Per accendere l'elettrodomestico, far scorrere in avanti l'interruttore acceso/spento (1).
- ◆ Per spegnere l'apparecchio, far slittare indietro l'interruttore acceso/spento.

Pulizia e manutenzione

Attenzione! Pulire regolarmente i filtri.

Pulizia del contenitore di raccolta della polvere e dei filtri (fig. E & F)

I filtri sono riutilizzabili e devono essere puliti regolarmente.

- ◆ Rimuovere il contenitore di raccolta della polvere (2) ruotandolo in senso antiorario.
- ◆ Svuotare il contenitore della polvere.
- ◆ Togliere il gruppo dei filtri (8) ruotandolo in senso antiorario.
- ◆ Lavare i filtri in acqua calda e sapone. All'occorrenza è possibile lavare anche il contenitore di raccolta. Non immergere l'elettrodomestico in acqua.
- ◆ Assicurarsi che il contenitore di raccolta e i filtri siano asciutti.
- ◆ Installare nuovamente il gruppo dei filtri (8) sull'elettrodomestico ruotandolo in senso orario finché non si blocca in posizione.
- ◆ Reinserire il contenitore di raccolta nell'apparecchio. Assicurarsi che il contenitore di raccolta si inserisca a scatto nell'apposita sede.

Attenzione! Non usare mai l'apparecchio senza i filtri. Un'aspirazione ottimale della polvere si ottiene solo se i filtri sono puliti e il contenitore di raccolta è vuoto.

Sostituzione dei filtri

I filtri devono essere sostituiti ogni 6-9 mesi e ogniqualvolta sono usurati o danneggiati. I filtri di ricambio sono disponibili presso il concessionario Black & Decker (numero di catalogo: VF60).

- ◆ Smontare i filtri come descritto sopra.
- ◆ Montare i nuovi filtri come descritto sopra.

Protezione dell'ambiente



Raccolta differenziata. Questo prodotto non deve essere smaltito con i normali rifiuti domestici.

Nel caso in cui si decida di sostituire l'apparecchio oppure di disfarsene in quanto non più necessario, non dovrà essere smaltito con i normali rifiuti domestici. Smaltire il prodotto tramite raccolta differenziata.



La raccolta differenziata di prodotti e imballaggi usati, consente il riciclaggio e il riutilizzo dei materiali. Riutilizzare i materiali riciclati aiuta a prevenire l'inquinamento ambientale e riduce la richiesta di materie prime.

In base alle normative locali, i servizi per la raccolta differenziata di elettrodomestici possono essere disponibili presso i punti di raccolta municipali o presso il rivenditore, al momento dell'acquisto di un nuovo prodotto.

Black & Decker offre ai suoi clienti un servizio per la raccolta differenziata e la possibilità di riciclare i prodotti Black & Decker che hanno esaurito la loro durata in servizio. Per usufruire del servizio, è sufficiente restituire il prodotto a qualsiasi tecnico autorizzato, incaricato della raccolta per conto dell'azienda.

Per individuare il tecnico autorizzato più vicino, rivolgersi alla sede Black & Decker locale, presso il recapito indicato nel presente manuale. Altrimenti un elenco completo di tutti i tecnici autorizzati Black & Decker e i dettagli completi sui contatti e i servizi post-vendita sono disponibili sul sito Internet: www.2helpU.com

Batteria (fig. G)



Se si desidera disfarsi dell'elettrodomestico, la batteria deve essere estratta come descritto di seguito e smaltita conformemente alle norme locali.

Se si desidera disfarsi del prodotto, la batteria deve essere estratta come descritto di seguito e smaltita conformemente alle norme locali.

Attenzione! Scollegare l'elettrodomestico dall'alimentazione prima di togliere la batteria.

- ◆ Scaricare la batteria tenendo in funzione l'apparecchio finché il motore non si ferma.

- ◆ Prendere gli accessori dall'apparecchio.
- ◆ Rimuovere le viti (9).
- ◆ Aprire l'elettrodomestico.
- ◆ Rimuovere la batteria, il motore collegato e il modulo interruttori (10).
- ◆ Utilizzare un cacciavite per staccare la batteria dal motore e dal modulo interruttori.
- ◆ La batteria deve essere imballata in modo da garantire che i terminali non possano essere cortocircuitati.
- ◆ Portare la batteria presso il concessionario o un impianto di riciclaggio locale.

Attenzione! Una volta rimossa, la batteria non può essere più rimontata.

Dati tecnici

	NV19XXYZ H2	NV24XXYZ H2
Tensione	V 2,4	2,4
Tipo di batteria	NiCd/NiMH	NiCd/NiMH
Peso	kg 0,65	0,65

	NV36XXYZ H2	NV48XXYZ H2
Tensione	V 3,6	4,8
Tipo di batteria	NiCd/NiMH	NiCd/NiMH
Peso	kg 0,7	0,85

	NV60XXYZ H2	NV72XXYZ H2
Tensione	V 6,0	7,2
Tipo di batteria	NiCd/NiMH	NiCd/NiMH
Peso	kg 0,9	0,95

Caricabatteria

	*A035015D	*A050020D
Modello	NV19/NV24	NV36
Tensione di rete V_{AC}	230	230
Tensione di uscita V_{AC}	3,5	5
Amperaggio mA	150	200
Tempo approssimato di carica h	24	24
Peso kg	0,2	0,2

	*A070015D	*A075020D
Modello	NV48	NV60
Tensione di rete V_{AC}	230	230
Tensione di uscita V_{AC}	7	7,5
Amperaggio mA	150	200
Tempo approssimato di carica	h 24	24
Peso kg	0,2	0,2

	*A090020D
Modello	NV72
Tensione di rete V_{AC}	230
Tensione di uscita V_{AC}	9
Amperaggio mA	200
Tempo approssimato di carica	h 24
Peso kg	0,2

Livello di pressione sonora, dati conformi alla norma EN 60704-1:

Pressione sonora (L_{pA}) < 70 dB(A), incertezza (K) 3 dB(A)

Numero di richiesta del brevetto nella Comunità Europea:
000 540 745 & 000 540 752

Numero di richiesta del modello depositato nella Comunità Europea:
000 541 230 & 000 540 752

DUSTBUSTER è un marchio registrato di Black & Decker Corporation.

Garanzia

Certa della qualità dei suoi prodotti, Black & Decker offre una garanzia eccezionale. Il presente certificato di garanzia è complementare ai diritti statuari e non li pregiudica in alcun modo. La garanzia è valida entro il territorio degli Stati membri dell'Unione Europea e dell'EFTA (European Free Trade Area).

Se un prodotto Black & Decker risulta difettoso per qualità del materiale, della costruzione o per mancata conformità entro 24 mesi dalla data di acquisto, Black & Decker garantisce la sostituzione delle parti difettose, provvede alla riparazione dei prodotti se ragionevolmente usurati oppure alla loro sostituzione, in modo da ridurre al minimo il disagio del cliente a meno che:

- ◆ Il prodotto non sia stato destinato ad usi commerciali, professionali o al noleggio;
- ◆ Il prodotto non sia stato usato in modo improprio o scorretto;
- ◆ Il prodotto non abbia subito danni causati da oggetti o sostanze estranee oppure incidenti;
- ◆ Il prodotto non abbia subito tentativi di riparazione non effettuati da tecnici autorizzati né dall'assistenza Black & Decker.

Per attivare la garanzia è necessario esibire la prova comprovante l'acquisto al venditore o al tecnico autorizzato. Per individuare il tecnico autorizzato più vicino, rivolgersi alla sede Black & Decker locale, presso il recapito indicato nel presente manuale. Altrimenti un elenco completo di tutti i tecnici autorizzati Black & Decker e i dettagli completi sui contatti e i servizi post-vendita sono disponibili su Internet presso: **www.2helpU.com**

I clienti che desiderano registrare il nuovo prodotto Black & Decker e ricevere gli aggiornamenti sui nuovi prodotti e le offerte speciali, sono invitati a visitare il sito Web (**www.blackanddecker.it**). Ulteriori informazioni sul marchio e la gamma di prodotti Black & Decker sono disponibili all'indirizzo **www.blackanddecker.it**

Gebruik volgens bestemming

Uw Black & Decker Dustbuster® is bedoeld voor lichte droge stofzuigklusjes. Dit product is uitsluitend bedoeld voor huishoudelijk gebruik.

Veiligheidsvoorschriften

- ◆ **Waarschuwing!** Bij het gebruik van accugevoede apparaten dienen ter bescherming tegen brandgevaar, vrijkomen van accuvloeistof, letsel en materiële schade altijd gepaste veiligheidsmaatregelen in acht te worden genomen, waaronder de volgende veiligheidsvoorschriften.
- ◆ Lees de gehele gebruiksaanwijzing aandachtig door voordat u het apparaat gaat gebruiken.
- ◆ Het bedoelde gebruik wordt in deze handleiding beschreven. Gebruik ter voorkoming van lichamelijk letsel uitsluitend de in deze gebruiksaanwijzing aanbevolen accessoires en hulpstukken. Gebruik het apparaat uitsluitend waarvoor het bedoeld is.
- ◆ Bewaar deze instructies zorgvuldig.

Gebruik van het apparaat

- ◆ Gebruik het apparaat niet om vloeistoffen of brandbare materialen op te zuigen.
- ◆ Gebruik het apparaat niet in de buurt van water. Dompel het apparaat niet in water onder.
- ◆ Trek niet aan het snoer van de oplader om de stekker uit het stopcontact te halen. Houd het snoer van de oplader uit de buurt van warmtebronnen, olie en scherpe randen.

Na gebruik

- ◆ Haal voor het reinigen van de oplader de stekker uit het stopcontact.
- ◆ Indien niet in gebruik moet het apparaat op een droge plaats worden opgeborgen. Kinderen mogen geen toegang hebben tot opgeborgen apparaten.

Inspectie en reparatie

- ◆ Controleer het apparaat voor gebruik op beschadigde of defecte onderdelen. Controleer op kapotte onderdelen, beschadigingen aan schakelaars en enige andere zaken die de werking nadelig kunnen beïnvloeden.
- ◆ Gebruik het apparaat niet als een onderdeel beschadigd of defect is.
- ◆ Defecte onderdelen dienen door een erkend servicecentrum te worden gerepareerd of vervangen.
- ◆ Controleer regelmatig het snoer van de oplader op beschadigingen. Vervang de oplader als het snoer beschadigd of defect is.
- ◆ Probeer nooit om enig onderdeel anders dan in deze handleiding beschreven te verwijderen of te vervangen.

Overige risico's

Er kunnen zich tijdens het gebruik van het gereedschap ook andere risico's voordoen die misschien niet in de bijgevoegde veiligheidswaarschuwingen worden vermeld. Deze risico's kunnen zich voordoen als gevolg van onoordeelkundig gebruik, langdurig gebruik, enz.

Zelfs als de veiligheidsvoorschriften in acht worden genomen en de veiligheidsvoorzieningen worden geïmplementeerd, kunnen bepaalde risico's niet worden vermeden. Deze omvatten:

- ◆ Verwondingen die worden veroorzaakt door het aanraken van draaiende of bewegende onderdelen.
- ◆ Verwondingen die worden veroorzaakt bij het vervangen van onderdelen, bladen of accessoires.
- ◆ Verwondingen die worden veroorzaakt door langdurig gebruik van het gereedschap. Als u langere periodes met het gereedschap werkt, is het raadzaam om regelmatig een pauze in te lassen.
- ◆ Gehoorbeschadiging.
- ◆ Gezondheidsrisico's als gevolg van het inademen van stof dat door gebruik van het gereedschap wordt veroorzaakt (bijvoorbeeld: tijdens het werken met hout, vooral eiken, beuken en MDF).

Veiligheid van anderen

- ◆ Dit apparaat is niet bedoeld voor gebruik door personen (inclusief kinderen) met beperkt lichamelijk, zintuigelijk of geestelijk vermogen, of gebrek aan ervaring en kennis, tenzij ze de supervisie of instructie is gegeven omtrent het gebruik van het apparaat door een persoon die verantwoordelijk is voor hun veiligheid.
- ◆ Houd toezicht op kinderen om te voorkomen dat zij met het apparaat gaan spelen.

Aanvullende veiligheidsvoorschriften voor accu's en opladers

Accu's

- ◆ Probeer nooit een accu te openen.
- ◆ Stel de accu niet aan water bloot.
- ◆ Stel de accu niet aan warmtebronnen bloot.
- ◆ Bewaar accu's niet op plaatsen waar de temperatuur hoger kan worden dan 40 °C.
- ◆ Laad accu's uitsluitend op bij een omgevingstemperatuur tussen 10 °C en 40 °C.
- ◆ Laad accu's uitsluitend op met behulp van de meegeleverde oplader.
- ◆ Volg bij het weggooiën van accu's de instructies in de paragraaf "Milieu" op.
- ◆ Beschadig en vervorm de accu niet door het lek prikken en door botsing, omdat dit letsel en brandgevaar op kan leveren.
- ◆ Laad geen beschadigde accu's op.
- ◆ Onder extreme gebruikscondities kan er vloeistof uit de accu vrijkomen. Als u vloeistof op de akku's opmerkt, gaat u als volgt te werk:
 - ◆ Verwijder met behulp van een doekje voorzichtig de vloeistof van de accu. Vermijd huidcontact.
 - ◆ Als de vloeistof toch in aanraking komt met de huid of de ogen, volgt u de onderstaande instructies op.

Waarschuwing! De accuvloeistof kan ernstig letsel of schade aan eigendommen veroorzaken. Indien accuvloeistof met de huid in aanraking is

gekomen, spoel dan de huid onmiddellijk met water af. Raadpleeg in geval van rode uitslag, pijn of irritatie onmiddellijk een arts. Indien accuvloeistof met het oog in aanraking is gekomen, spoel dan onmiddellijk het oog met water.

Opladers

Uw oplader is ontwikkeld voor een bepaalde spanning. Controleer altijd of de netspanning overeenkomt met het voltage op het typeplaatje.

Waarschuwing! Vervang de oplader nooit door een netstekker.

- ◆ Gebruik uw Black & Decker oplader uitsluitend voor het opladen van accu's van het meegeleverde type. Andere accu's kunnen scheuren en zo letsel en materiële schade veroorzaken.
- ◆ Probeer nooit niet-oplaadbare accu's op te laden.
- ◆ Laat een beschadigd netsnoer vervangen door de fabrikant of een erkend Black & Decker Servicecentrum om gevaren te voorkomen.
- ◆ Stel de oplader niet aan water bloot.
- ◆ Open de oplader niet.
- ◆ Doorboor de oplader niet.
- ◆ Het apparaat/gereedschap/accu moeten tijdens het opladen in een goed geventileerde ruimte worden geplaatst.

Elektrische veiligheid

Uw oplader is ontwikkeld voor een bepaalde spanning. Controleer altijd of de netspanning overeenkomt met het voltage op het typeplaatje. Vervang de oplader nooit door een netstekker.

- ◆ Dit apparaat is niet bedoeld voor gebruik door personen (inclusief kinderen) met beperkt lichamelijk, zintuigelijk of geestelijk vermogen, of gebrek aan ervaring en kennis, tenzij ze de supervisie of instructie is gegeven omtrent het gebruik van het apparaat door een persoon die verantwoordelijk is voor hun veiligheid.
- ◆ Houd toezicht op kinderen om te voorkomen dat zij met het apparaat gaan spelen.

Pictogrammen op de oplader



Uw oplader is dubbel geïsoleerd; een aardaansluiting is daarom niet noodzakelijk.



Storingbestendige scheidingstransformator. De netspanning is elektrisch gescheiden van de uitgangsspanning van de transformator.



De oplader sluit automatisch af als de omgevingstemperatuur te hoog wordt. Dit stelt de oplader buiten werking. Koppel het apparaat eenheid los van de netspanning en breng het voor reparatie naar een erkend servicecentrum.



De oplader is uitsluitend bedoeld voor gebruik binnenshuis.



Lees de gehele gebruiksaanwijzing aandachtig door voordat u het apparaat gaat gebruiken.

Waarschuwing! Houd elektrische apparaten buiten het bereik van kinderen of lichamelijk zwakke personen. Laat ze de apparaten niet zonder toezicht gebruiken.

Onderdelen

1. Aan/uit-schakelaar
2. Neus

Fig. A

3. Spleetzuigmondstuk
4. Borstelzuigmondstuk

Uitpakken

Vaststellen van uw product

Het modelontwerp kan worden vastgesteld uit de lettercodes die worden gebruikt in het catalogusnummer. De volgende catalogusnummers worden beschreven in deze handleiding: NV19XXYZ H2/NV24XXYZ H2/ NV36XXYZ H2/NV48XXYZ H2/ NV60XXYZ H2/NV72XXYZ H2

De lettercode XX komt overeen met de volgende ontwerpen:

00/99: steelhandgreep, geen accessoires meegeleverd

03: ronde handgreep, geleverd met spleetzuigmondstuk en borstelzuigmondstuk

De lettercode Y wordt gebruikt om de serie van kleur, editie en speciale opties vast te stellen. De lettercode Z die wordt weergegeven door de letter N wordt gebruikt voor modellen met een NiMH-accu.

Installatie

NV24XXYZ/NV36XXYZ/NV48XXYZ/ NV60XXYZ/NV72XXYZ - Het oplaadstation aan de muur monteren (fig. B1 & B2)

Het oplaadstation kan op een werkbank of aan de muur worden gemonteerd om het apparaat een geschikte opbergplaats en oplaadpunt te geven.

Assemblage

Bevestigen van de accessoires (fig. A & C)

Afhankelijk van het model wordt dit apparaat geleverd met de volgende hulpstukken:

- ◆ een spleetzuigmondstuk (3) voor nauwe ruimtes
- ◆ een borstelzuigmondstuk (4) voor meubels en trappen

Ga als volgt te werk bij het plaatsen van een accessoire:

- ◆ Haal de accessoires van het apparaat.
- ◆ Plaats het juiste accessoire op de voorkant van het apparaat.

U kunt het andere accessoire weer terugplaatsen door dit in de accessoirehouder te klikken.

Voor het terugplaatsen van beide accessoires:

- ◆ Duw de accessoires omlaag tot deze op de plaats klikken.

Gebruik

- ◆ Het apparaat kan worden opgeladen terwijl het op een werkbank is geplaatst of aan een muur is gehangen met behulp van de meegeleverde wandhaak.
- ◆ Voor het eerste gebruik moet de accu ten minste 24 uur worden opgeladen.
- ◆ Laat het apparaat altijd aangesloten op de oplader wanneer het niet wordt gebruikt.

Opladen van de accu (fig. B1 - B3)

NV24XXYZ/NV36XXYZ/NV48XXYZ/ NV60XXYZ/NV72XXYZ (fig. B1 & B2)

- ◆ Controleer of het apparaat is uitgeschakeld. De accu wordt niet opgeladen als de aan/uitschakelaar op aan staat.
- ◆ Plaats het apparaat zorgvuldig op de oplader. De pijl op de oplader dient op de scheiding van het apparaat te vallen.
- ◆ Steek de stekker van de oplader in het stopcontact.
- ◆ Schakel het apparaat in.
- ◆ Laat het apparaat ten minste 24 uur opladen.

NV19XXY (fig. B3)

- ◆ Controleer of het apparaat is uitgeschakeld. De accu wordt niet opgeladen als de aan/uitschakelaar op aan staat.
- ◆ Steek de opladerstekker (6) in de aansluiting (7) aan de achterzijde van het apparaat.
- ◆ Steek de stekker van de oplader (5) in het stopcontact.

- ◆ Schakel het apparaat in.
- ◆ Laat het apparaat ten minste 24 uur opladen.

Opmerking: Tijdens het opladen kan de oplader warm worden. Dit is normaal en duidt niet op problemen. Het apparaat kan voor onbepaalde tijd op de oplader aangesloten blijven.

Waarschuwing! Laad de accu niet op bij omgevingstemperaturen onder 10 °C of boven 40 °C.

Aan- en uitschakelen (fig. D)

- ◆ Om in te schakelen schuift u de aan/uit-schakelaar (1) naar voren.
- ◆ Om uit te schakelen schuift u de aan/uitschakelaar naar achteren.

Reiniging en onderhoud

Waarschuwing! Reinig de filters regelmatig.

Reinigen van de neus en filters (fig. E & F)

De filters zijn geschikt voor hergebruik en moeten regelmatig worden gereinigd.

- ◆ Verwijder de neus (2) door hem linksom te draaien.
- ◆ Maak de neus leeg.
- ◆ Verwijder de filtereenheid (8) door ze linksom te draaien.
- ◆ Spoel de filters uit in warm sop. De neus kan ook worden afgewassen, indien noodzakelijk. Dompel het apparaat niet in water onder.
- ◆ Zorg ervoor dat de neus en de filters droog zijn.
- ◆ Plaats de filtereenheid (8) terug op het apparaat; draai de filtereenheid rechtsom totdat deze op zijn plaats vastklikt.
- ◆ Plaats de neus weer op het apparaat terug. Zorg dat de neus op de plaats klikt.

Waarschuwing! Gebruik het apparaat nooit zonder de filters. Alleen met schone filters en een lege neus kan stof optimaal worden opgezogen.

Vervangen van de filters

De filters moeten iedere zes tot negen maanden worden vervangen, alsook wanneer ze versleten of beschadigd zijn. Vervangende filters zijn verkrijgbaar bij uw Black & Decker-dealer (catalogusnummer: VF60).

- ◆ Verwijder de oude filters zoals hierboven beschreven.
- ◆ Monteer de nieuwe filters zoals hierboven beschreven.

Milieu



Gescheiden inzameling. Dit product mag niet met het gewone huishoudelijke afval worden weggegooid.

Wanneer uw oude Black & Decker-product aan vervanging toe is of het u niet langer van dienst kan zijn, gooi het dan niet bij het huishoudelijk afval. Zorg ervoor dat het product gescheiden kan worden ingezameld.



Door gebruikte producten en verpakkingen gescheiden in te zamelen, worden de materialen gerecycled en opnieuw gebruikt. Hergebruik van gerecyclede materialen voorkomt milieuvervuiling en vermindert de vraag naar grondstoffen.

Inzamelpunten voor gescheiden inzameling van elektrische huishoudproducten bij gemeentelijke vuilnisbergen of bij de verkoper waar u een nieuw product koopt, kunnen aan plaatselijke voorschriften gebonden zijn.

Black & Decker biedt de mogelijkheid tot inzamelen en recyclen van afgedankte Black & Decker producten. Om gebruik van deze service te maken, dient u het product aan een van onze servicecentra te sturen, die voor ons de inzameling verzorgen.

U kunt het adres van het dichtstbijzijnde servicecentrum opvragen via de adressen op de achterzijde van deze handleiding. U kunt ook een lijst van onze servicecentra en meer informatie m.b.t. onze klantenservice vinden op het volgende Internet-adres: www.2helpU.com

Accu (fig. G)



Bij het weggooien van het apparaat, moet de accu zoals hieronder beschreven worden verwijderd en vervolgens in overeenstemming met de plaatselijke voorschriften worden afvoerd.

Verwijder als u het apparaat zelf wilt weggooien de accu zoals hieronder beschreven en voer deze vervolgens in overeenstemming met de plaatselijke voorschriften af.

Waarschuwing! Koppel voordat u de accu verwijdert het apparaat los van de voeding.

- ◆ Maak de accu leeg door het apparaat te gebruiken tot de motor stopt.
- ◆ Haal de accessoires van het apparaat.
- ◆ Verwijder de schroeven (9).
- ◆ Open het apparaat.
- ◆ Verwijder de accu met motor en schakelmodule (10).
- ◆ Gebruik een schroevendraaier om de accu los te maken van de motor en de schakelmodule.
- ◆ Berg de accu in een geschikte verpakking op, zodat de polen niet kunnen worden kortgesloten.
- ◆ Breng de accu naar uw handelaar of naar een plaatselijk verwerkingscentrum voor klein chemisch afval.

Waarschuwing! Eenmaal verwijderd kan de accu niet worden teruggeplaatst.

Technische gegevens

	NV19XXYZ H2	NV24XXYZ H2
Spanning	V 2,4	2,4
Accutype	NiCd/NiMH	NiCd/NiMH
Gewicht	kg 0,65	0,65

	NV36XXYZ H2	NV48XXYZ H2
Spanning	V 3,6	4,8
Accutype	NiCd/NiMH	NiCd/NiMH
Gewicht	kg 0,7	0,85

	NV60XXYZ H2	NV72XXYZ H2
Spanning	V 6,0	7,2
Accutype	NiCd/NiMH	NiCd/NiMH
Gewicht	kg 0,9	0,95

Oplader

	*A035015D	*A050020D
Model	NV19/NV24	NV36
Ingangsspanning	V _{AC} 230	230
Uitgangsspanning	V _{AC} 3,5	5
Amperage	mA 150	200
Gemiddelde oplaadtijd	h 24	24
Gewicht	kg 0,2	0,2

	*A070015D	*A075020D
Model	NV48	NV60
Ingangsspanning	V _{AC} 230	230
Uitgangsspanning	V _{AC} 7	7,5
Amperage	mA 150	200
Gemiddelde oplaadtijd	h 24	24
Gewicht	kg 0,2	0,2

	*A090020D
Model	NV72
Ingangsspanning	V _{AC} 230
Uitgangsspanning	V _{AC} 9
Amperage	mA 200
Gemiddelde oplaadtijd	h 24
Gewicht	kg 0,2

Niveau van de geluidsdruk volgens EN 60704-1:

Geluidsdruk (L_{pa}) < 70 dB(A), onzekerheid (K) 3 dB(A)

Patentnummer voor de Europese Gemeenschap: 000 540 745 & 000 540 752

Ontwerpnummer voor Europese Gemeenschap: 000 541 230 & 000 540 752

DUSTBUSTER is een geregistreerd handelsmerk van Black & Decker.

Garantie

Black & Decker heeft vertrouwen in zijn producten en biedt een uitstekende garantie. Deze garantiebepalingen vormen een aanvulling op uw wettelijke rechten en beperken deze niet. De garantie geldt in de lidstaten van de Europese Unie en de Europese Vrijhandelsassociatie.

Mocht uw Black & Decker product binnen 24 maanden na datum van aankoop defect raken tengevolge van materiaal- of constructiefouten, dan garanderen wij de kosteloze vervanging van defecte onderdelen, de reparatie van het product of de vervanging van het product, tenzij:

- ◆ Het product is gebruikt voor handelsdoeleinden, professionele toepassingen of verhuurdoeleinden;
- ◆ Het product onoordeelkundig is gebruikt;
- ◆ Het product is beschadigd door invloeden van buitenaf of door een ongeval;
- ◆ Reparaties zijn uitgevoerd door anderen dan onze servicecentra of Black & Decker personeel.

Om een beroep op de garantie te doen, dient u een aankoopbewijs te overhandigen aan de verkoper of een van onze servicecentra. U kunt het adres van het dichtstbijzijnde servicecentrum opvragen via de adressen op de achterzijde van deze handleiding. U kunt ook een lijst van onze servicecentra en meer informatie m.b.t. onze klantenservice vinden op het volgende Internet-adres: www.2helpU.com

Meld u aan op onze website www.blackanddecker.nl om te worden geïnformeerd over nieuwe producten en speciale aanbiedingen.

Verdere informatie over het merk Black & Decker en onze producten vindt u op www.blackanddecker.nl

Finalidad

El aspirador de mano Dustbuster® de Black & Decker ha sido diseñado para trabajos ligeros de limpieza en seco por aspiración. Este producto está pensado para su uso doméstico únicamente.

Instrucciones de seguridad

- ◆ **¡Atención!** Cuando use aparatos que funcionen con baterías, debe adoptar siempre las precauciones de seguridad básicas, incluidas las siguientes, a fin de reducir el riesgo de incendio, pérdida del líquido de las baterías, lesiones personales y daños materiales.
- ◆ Lea completamente este manual antes de utilizar el aparato.
- ◆ En este manual se explica el uso previsto para este aparato. El uso de otros accesorios o adaptadores, o la propia utilización de este aparato en cualquier forma diferente de las recomendadas en este manual de instrucciones, puede constituir un riesgo de lesiones a las personas.
- ◆ Conserve este manual a mano para consultas posteriores.

Utilización del aparato

- ◆ No use este aparato para recoger líquidos o materiales inflamables.
- ◆ No utilice este aparato cerca de agua. No sumerja el aparato en el agua.
- ◆ Nunca tire del cable del cargador para desconectar éste del enchufe. Proteja el cable del cargador del calor, del aceite y de los bordes afilados.

Después del uso

- ◆ Desenchufe el cargador antes de limpiarlo.
- ◆ Cuando no se use, el aparato debe guardarse en un lugar seco. Los niños no deben tener acceso a los aparatos guardados.

Inspección y reparaciones

- ◆ Antes del uso, revise el aparato para ver si está dañado o tiene piezas defectuosas. Compruebe si hay alguna pieza rota, algún interruptor dañado o cualquier cosa que pudiera afectar a su funcionamiento.

- ◆ No utilice el aparato si hay alguna pieza dañada o defectuosa.
- ◆ Encargue al servicio técnico autorizado que repare o sustituya las piezas defectuosas o averiadas.
- ◆ Compruebe periódicamente el estado del cable del cargador. Sustituya el cargador cuando el cable esté dañado o defectuoso.
- ◆ Nunca intente extraer o sustituir ninguna de las piezas que no sean las especificadas en este manual.

Riesgos residuales

El uso de esta herramienta puede producir riesgos residuales adicionales no incluidos en las advertencias de seguridad adjuntas. Estos riesgos se pueden generar por un uso incorrecto, demasiado prolongado, etc.

El cumplimiento de las normas de seguridad correspondientes y el uso de dispositivos de seguridad no evitan ciertos riesgos residuales. Estos riesgos incluyen:

- ◆ Lesiones producidas por el contacto con piezas móviles o giratorias.
- ◆ Lesiones producidas al cambiar cualquier pieza, cuchilla o accesorio.
- ◆ Lesiones producidas al usar una herramienta por un tiempo demasiado prolongado. Si utiliza una herramienta durante períodos de tiempo demasiado prolongados, asegúrese de realizar pausas con frecuencia.
- ◆ Discapacidad auditiva.
- ◆ Riesgos para la salud producidos al respirar el polvo que se genera al usar la herramienta (por ejemplo: en los trabajos con madera, especialmente de roble, haya y tableros de densidad mediana).

Seguridad de otras personas

- ◆ Este aparato no está destinado para ser utilizado por personas (niños incluidos) con capacidades físicas, sensoriales o mentales reducidas, o que carezcan de experiencia y conocimiento, a menos que reciban supervisión o instrucción respecto al uso del aparato por una persona responsable de su seguridad.

- ◆ Debe vigilarse a los niños para asegurarse de que no jueguen con el aparato.

Instrucciones de seguridad adicionales para baterías y cargadores

Baterías

- ◆ Nunca, por ningún motivo, trate de abrir las baterías.
- ◆ No exponga la batería al agua.
- ◆ No exponga la batería al calor.
- ◆ No las almacene en lugares donde la temperatura pueda exceder los 40 °C.
- ◆ Cargue las baterías únicamente a temperaturas entre 10 °C y 40 °C.
- ◆ Recargue utilizando únicamente el cargador suministrado con el aparato/ la herramienta.
- ◆ Cuando deseche las baterías, siga las instrucciones indicadas en la sección "Protección del medio ambiente".
- ◆ No dañe/deforme la batería mediante perforaciones o impactos, ya que esto puede generar un riesgo de lesiones e incendio.
- ◆ No cargue una batería que haya sufrido daños.
- ◆ Bajo condiciones extremas, las baterías podrían perder líquido. Si observa que las baterías han perdido líquido, proceda del siguiente modo:
 - ◆ Limpie cuidadosamente el líquido con un paño. Evite el contacto con la piel.
 - ◆ En caso de producirse contacto con la piel o los ojos, siga estas instrucciones.

¡Atención! El líquido de las baterías puede provocar lesiones personales o daños materiales. En caso de que entre en contacto con la piel, lávese inmediatamente con agua. En caso de producirse enrojecimiento, dolor o irritación, acuda a un médico. En caso de contacto con los ojos, enjuáguelos inmediatamente con agua limpia y acuda al médico.

Cargadores

El cargador ha sido diseñado para una tensión determinada. Compruebe siempre que la tensión de la red corresponda al valor indicado en la placa de características.

¡Atención! Nunca intente sustituir el cargador por un enchufe normal a la red.

- ◆ Use el cargador Black & Decker únicamente para cargar la batería del aparato/de la herramienta con que se ha suministrado. Otras baterías podrían estallar, causando daños y lesiones personales.
- ◆ Nunca intente cargar baterías no recargables.
- ◆ Si el cable eléctrico está estropeado, debe ser sustituido por el fabricante o un servicio técnico autorizado de Black & Decker con el fin de evitar accidentes.
- ◆ No exponga el cargador al agua.
- ◆ No abra el cargador.
- ◆ No manipule el cargador.
- ◆ El aparato/la herramienta/la batería debe colocarse en un lugar bien ventilado durante la carga.

Seguridad eléctrica

El cargador ha sido diseñado para una tensión determinada. Compruebe siempre que la tensión de la red corresponda al valor indicado en la placa de características. Nunca intente sustituir el cargador por un enchufe normal a la red.

- ◆ Este aparato no está destinado para ser utilizado por personas (niños incluidos) con capacidades físicas, sensoriales o mentales reducidas, o que carezcan de experiencia y conocimiento, a menos que reciban supervisión o instrucción respecto al uso del aparato por una persona responsable de su seguridad.
- ◆ Debe vigilarse a los niños para asegurarse de que no jueguen con el aparato.

Símbolos del cargador



El cargador lleva un doble aislamiento; por lo tanto no requiere una toma a tierra.



F

Transformador aislante a prueba de averías La alimentación de corriente está separada eléctricamente de la salida del transformador.



El cargador se desconecta automáticamente si la temperatura ambiente es demasiado elevada. A consecuencia de esto el cargador quedará inoperativo. La unidad debe desconectarse del suministro de red y llevarse a un centro de servicio técnico autorizado para su reparación.



El cargador está pensado únicamente para su uso en interiores.



Lea completamente el manual antes de utilizar el aparato.

¡Atención! Mantenga los aparatos eléctricos fuera del alcance de niños o personas enfermas. No les permita utilizar los aparatos sin supervisión.

Características

1. Interruptor de encendido/apagado
2. Depósito de polvo

Fig. A

3. Útil con hendidura
4. Cepillo

Desembalaje

Identificación de su producto

El diseño del modelo puede determinarse a partir de los códigos de sufijo utilizados en el número de catálogo. Los siguientes números de catálogo se describen en este manual:
 NV19XXYZ H2/NV24XXYZ H2/
 NV36XXYZ H2/NV48XXYZ H2/
 NV60XXYZ H2/NV72XXYZ H2

El código de sufijo XX corresponde a los siguientes diseños:

00/99: empuñadura recta, no se suministran accesorios

03: empuñadura curva, se suministra con útil con hendidura y cepillo

El código de sufijo Y se utiliza para identificar la gama de color, edición y opciones especiales. El código de sufijo Z representado por la letra N se utiliza para modelos con una batería NiMH.

Instalación

NV24XXYZ/NV36XXYZ/NV48XXYZ/ NV60XXYZ/NV72XXYZ - Montaje de la base de carga en la pared (fig. B1 & B2)

Para obtener un lugar adecuado de carga y almacenaje del aparato, la base de carga se puede colocar sobre una encimera o montarse en la pared.

Montaje

Instalación de los accesorios (fig. A & C)

En función del modelo, este aparato se suministra con los accesorios siguientes:

- ◆ un útil con hendidura (3) para espacios reducidos
 - ◆ un cepillo (4) para muebles y escaleras.
- Para colocar un accesorio, proceda de la forma siguiente:
- ◆ Saque los accesorios del aparato.
 - ◆ Introduzca el accesorio correspondiente en la parte delantera del aparato.

Tendrá que volver a colocar el otro accesorio encajándolo en el portaaccesorios hasta que escuche un clic.

Para recolocar ambos accesorios:

- ◆ Presione los accesorios hasta que escuche un clic cuando encajen en su posición.

Uso

- ◆ El aparato puede cargarse colocado sobre una mesa de trabajo o colgado en la pared utilizando los ganchos de pared suministrados.
- ◆ Antes del primer uso, cargue la batería durante 24 horas como mínimo.
- ◆ Deje el aparato conectado al cargador siempre que éste no se esté utilizando.

Carga de la batería (fig. B1 - B3)

NV24XXYZ/NV36XXYZ/NV48XXYZ/
NV60XXYZ/NV72XXYZ (fig. B1 & B2)

- ◆ Asegúrese de que el aparato esté apagado. La batería no carga cuando el interruptor de encendido/apagado está en la posición de encendido.
- ◆ Coloque el aparato correctamente en el cargador alineando la flecha del cargador con la ranura del aparato.
- ◆ Enchufe el cargador.
- ◆ Conecte la corriente de red.
- ◆ Deje que el aparato se cargue durante al menos 24 horas.

NV19XXY (fig. B3)

- ◆ Asegúrese de que el aparato esté apagado. La batería no carga cuando el interruptor de encendido/apagado está en la posición de encendido.
- ◆ Inserte el enchufe del cargador (6) en el conector del cargador (7) de la parte trasera del aparato.
- ◆ Enchufe el cargador (5).
- ◆ Conecte la corriente de red.
- ◆ Deje que el aparato se cargue durante al menos 24 horas.

Nota: Durante la carga, el cargador puede llegar a calentarse. Esto es normal y no constituye ningún problema. El aparato puede dejarse conectado al cargador indefinidamente.

¡Atención! No cargue la batería a una temperatura ambiente inferior a 10 °C o superior a 40 °C.

Encendido y apagado (fig. D)

- ◆ Para encender, deslice el interruptor de encendido/apagado (1) hacia delante.
- ◆ Para apagarlo, deslice el interruptor de encendido/apagado hacia atrás.

Limpieza y mantenimiento

¡Atención! Limpie periódicamente los filtros.

Limpieza del depósito de polvo y de los filtros (fig. E & F)

Los filtros son reutilizables y deben limpiarse periódicamente.

- ◆ Retire el depósito de polvo (2) haciéndolo girar en sentido contrario al de las agujas del reloj.
- ◆ Vacíe el depósito de polvo.
- ◆ Retire el conjunto del filtro (8) girándolo en el sentido contrario a las agujas del reloj.
- ◆ Lave los filtros con agua templada jabonosa. Si fuera necesario se puede lavar también el depósito. No sumerja el aparato en el agua.
- ◆ Compruebe que el depósito de polvo y los filtros estén secos.
- ◆ Vuelva a colocar el conjunto del filtro (8) en el aparato, girándolo en el sentido de las agujas del reloj hasta que encaje en su posición.
- ◆ Vuelva a colocar el depósito de polvo en el aparato. Compruebe que el depósito de polvo encaje en su posición.

¡Atención! Nunca utilice el aparato sin los filtros. Una recogida de polvo óptima sólo resulta posible cuando los filtros están limpios y el depósito de polvo está vacío.

Sustitución de los filtros

Los filtros deben cambiarse cada 6-9 meses y siempre que estén gastados o dañados. Su distribuidor Black & Decker dispone de filtros de repuesto (número de catálogo: VF60).

- ◆ Retire los filtros usados como se ha descrito anteriormente.
- ◆ Coloque los filtros nuevos como se ha descrito anteriormente.

Protección del medio ambiente



Separación de desechos. Este producto no debe desecharse con la basura doméstica normal.

Si llega el momento de reemplazar su producto Black & Decker o éste ha dejado de tener utilidad para usted, no lo deseche con la basura doméstica normal. Asegúrese de que este producto se deseche por separado.



La separación de desechos de productos usados y embalajes permite que los materiales puedan reciclarse y reutilizarse. La reutilización de materiales reciclados ayuda a evitar la contaminación medioambiental y reduce la demanda de materias primas.

La normativa local puede prever la separación de desechos de productos eléctricos de uso doméstico en centros municipales de recogida de desechos o a través del distribuidor cuando adquiere un nuevo producto.

Black & Decker proporciona facilidades para la recogida y el reciclado de los productos Black & Decker que hayan llegado al final de su vida útil. Para hacer uso de este servicio, devuelva su producto a cualquier servicio técnico autorizado, que lo recogerá en nuestro nombre.

Pueden consultar la dirección de su servicio técnico más cercano poniéndose en contacto con la oficina local de Black & Decker en la dirección que se indica en este manual. Como alternativa, puede consultar en Internet la lista de servicios técnicos autorizados e información completa de nuestros servicios de posventa y contactos en la siguiente dirección: www.2helpU.com

Batería (fig. G)



Cuando vaya a desechar el producto, debe extraer la batería como se describe a continuación y desecharla de acuerdo con la normativa local.

Si desea deshacerse del producto usted mismo, debe extraer la batería como se describe a continuación y desecharla de acuerdo con la normativa local.

¡Atención! Desconecte el aparato del suministro de corriente antes de retirar la batería.

- ◆ Descargue la batería haciendo funcionar el aparato hasta que se pare el motor.
- ◆ Saque los accesorios del aparato.
- ◆ Quite los tornillos (9).
- ◆ Abra el aparato.
- ◆ Retire la batería y el motor fijado, así como el módulo de interruptor (10).
- ◆ Utilice un destornillador para separar la batería del motor y el módulo de interruptor.
- ◆ Coloque la batería en un embalaje adecuado para garantizar que sus bornes no puedan entrar en cortocircuito.
- ◆ Entregue las baterías al servicio técnico o depositelas en un centro local de reciclaje.

¡Atención! Una vez extraída, no se puede volver a montar la batería.

Características técnicas

	NV19XXYZ H2	NV24XXYZ H2
Voltaje	V 2,4	2,4
Tipo de batería	NiCd/NiMH	NiCd/NiMH
Peso	kg 0,65	0,65

	NV36XXYZ H2	NV48XXYZ H2
Voltaje	V 3,6	4,8
Tipo de batería	NiCd/NiMH	NiCd/NiMH
Peso	kg 0,7	0,85

	NV60XXYZ H2	NV72XXYZ H2
Voltaje	V 6,0	7,2
Tipo de batería	NiCd/NiMH	NiCd/NiMH
Peso	kg 0,9	0,95

Cargador

	*A035015D	*A050020D
Modelo	NV19/NV24	NV36
Tensión de la red	V _{AC} 230	230
Voltaje de salida	V _{AC} 3,5	5
Amperaje	mA 150	200
Tiempo aproximado de carga	h 24	24
Peso	kg 0,2	0,2

	*A070015D	*A075020D
Modelo	NV48	NV60
Tensión de la red	V _{AC} 230	230
Voltaje de salida	V _{AC} 7	7,5
Amperaje	mA 150	200
Tiempo aproximado de carga	h 24	24
Peso	kg 0,2	0,2

	*A090020D
Modelo	NV72
Tensión de la red	V _{AC} 230
Voltaje de salida	V _{AC} 9
Amperaje	mA 200
Tiempo aproximado de carga	h 24
Peso	kg 0,2

Nivel de la presión acústica según EN 60704-1:

Presión acústica (L_{pa}) < 70 dB(A), incertidumbre (K) 3 dB(A)

Número de solicitud de patente de la Unión Europea: 000 540 745 & 000 540 752

Número de solicitud de diseño de la Unión Europea: 000 541 230 & 000 540 752

DUSTBUSTER es una marca comercial registrada de Black & Decker Corporation.

Garantía

Black & Decker confía plenamente en la calidad de sus productos y ofrece una garantía extraordinaria. Esta declaración de garantía es una añadido, y en ningún caso un perjuicio para sus derechos estatutarios. La garantía es válida dentro de los territorios de los Estados Miembros de la Unión Europea y de los de la Zona Europea de Libre Comercio.

Si un producto Black & Decker resultará defectuoso debido a materiales o mano de obra defectuosos o a la falta de conformidad, Black & Decker garantiza, dentro de los 24 meses de la fecha de compra, la sustitución de las piezas defectuosas, la reparación de los productos sujetos a un desgaste y rotura razonables o la sustitución de tales productos para garantizar al cliente el mínimo de inconvenientes, a menos que:

- ◆ El producto haya sido utilizado con propósitos comerciales, profesionales o de alquiler;
- ◆ El producto haya sido sometido a un uso inadecuado o negligente;
- ◆ El producto haya sufrido daños causados por objetos o sustancias extrañas o accidentes;
- ◆ Se hayan realizado reparaciones por parte de personas que no sean los servicios de reparación autorizados o personal de servicios de Black & Decker.

Para reclamar en garantía, será necesario que presente la prueba de compra al vendedor o al servicio técnico de reparaciones autorizado. Pueden consultar la dirección de su servicio técnico más cercano poniéndose en contacto con la oficina local de Black & Decker en la dirección que se indica en este manual. Como alternativa, se puede consultar en Internet, en la dirección siguiente, la lista de servicios técnicos autorizados e información completa de nuestros servicios de postventa y contactos: **www.2helpU.com**

Visite nuestro sitio web **www.blackanddecker.eu** para registrar su nuevo producto Black & Decker y mantenerse al día sobre nuestros productos y ofertas especiales. Encontrará información adicional sobre la marca Black & Decker y nuestra gama de productos en **www.blackanddecker.eu**

Utilização

O seu aspirador Dustbuster® Black & Decker foi concebido para serviços leves de aspiração a seco. Este produto destina-se exclusivamente ao uso doméstico.

Instruções de segurança

- ◆ **Advertência!** Ao utilizar aparelhos alimentados por bateria, é necessário seguir sempre as precauções básicas de segurança, incluindo as detalhadas a seguir, para diminuir os riscos de incêndio, vazamento das baterias, ferimentos pessoais e danos materiais.
- ◆ Leia atentamente este manual antes de utilizar o aparelho.
- ◆ Neste manual indicam-se as utilizações previstas para o aparelho. O uso de qualquer acessório, extensão ou do próprio aparelho em situações diferentes das recomendadas neste manual de instruções pode representar risco de ferimentos pessoais.
- ◆ Guarde este manual para futura consulta.

Utilização do aparelho

- ◆ Não utilize o aparelho para recolha de líquidos ou de materiais inflamáveis.
- ◆ Não utilize o aparelho próximo de água. Não permita que o aparelho seja imerso em água.
- ◆ Nunca puxe o cabo do carregador para desligá-lo da tomada. Proteja o cabo do carregador contra o calor e evite o contacto com gorduras e objectos cortantes.

Após a utilização

- ◆ Desligue a ficha do carregador antes de o limpar.
- ◆ Sempre que não estiver a ser utilizado, o aparelho deve ser guardado num local seco. Guarde o aparelho fora do alcance das crianças.

Inspecção e reparação

- ◆ Antes de utilizar o aparelho, verifique se existem danos ou defeitos nas peças. Verifique se existem peças partidas, interruptores danificados ou quaisquer

outros problemas que possam afectar o funcionamento do mesmo.

- ◆ Não utilize o aparelho se houver alguma peça defeituosa ou danificada.
- ◆ Qualquer peça defeituosa ou danificada deverá ser reparada ou substituída por um técnico autorizado.
- ◆ Verifique regularmente se o cabo do carregador apresenta danos. Substitua o carregador caso o cabo esteja danificado ou com algum defeito.
- ◆ Nunca tente remover nem substituir peças por outras que não as especificadas neste manual.

Riscos residuais

Podem surgir riscos residuais adicionais durante a utilização da ferramenta que poderão não constar nos avisos de segurança incluídos. Estes riscos podem resultar de má utilização, uso prolongado, etc.

Mesmo com a aplicação dos regulamentos de segurança relevantes e com a implementação de dispositivos de segurança, alguns riscos residuais não podem ser evitados. Incluem:

- ◆ Ferimentos causados pelo contacto com peças em rotação/movimento.
- ◆ Ferimentos causados durante a troca de peças, lâminas ou acessórios.
- ◆ Ferimentos causados pela utilização prolongada de uma ferramenta. Quando utilizar uma ferramenta por períodos prolongados, faça intervalos regulares.
- ◆ Diminuição da audição.
- ◆ Problemas de saúde causados pela inalação de poeiras resultantes da utilização da ferramenta (exemplo: trabalhos em madeira, especialmente carvalho, faia e MDF).

Segurança de outras pessoas

- ◆ Este aparelho não se destina a ser utilizado por pessoas (incluindo crianças) com reduzidas capacidades físicas, sensoriais ou mentais ou falta de experiência e conhecimentos, a menos que tenham recebido instruções ou sejam supervisionadas relativamente à utilização do aparelho por uma pessoa responsável pela sua segurança.

- ◆ As crianças deverão ser vigiadas para que não brinquem no aparelho.

Instruções de segurança adicionais para baterias e carregadores

Baterias

- ◆ Nunca tente abrir a bateria seja qual for a razão.
- ◆ Não deixe que a bateria entre em contacto com a água.
- ◆ Não exponha a bateria ao calor.
- ◆ Não armazene em locais onde a temperatura possa exceder 40 °C.
- ◆ Carregue somente à temperatura ambiente, entre 10 °C e 40 °C.
- ◆ Carregue utilizando apenas o carregador fornecido com o aparelho/ferramenta.
- ◆ Siga as instruções fornecidas na secção "Protecção do meio ambiente" quando desejar desfazer-se das baterias.
- ◆ Não danifique nem deforme a bateria através de perfuração ou impacto pois tal pode causar risco de lesões ou incêndio.
- ◆ Não carregue baterias danificadas.
- ◆ Sob condições extremas, é possível que a bateria apresente fugas. Quando notar que há líquido nas baterias, proceda da seguinte maneira:
- ◆ Limpe o líquido cuidadosamente utilizando um pano. Evite o contacto com a pele.
- ◆ Em caso de contacto com a pele ou com os olhos, siga as instruções abaixo.

Advertência! O líquido da bateria pode causar ferimentos pessoais ou danos em bens. Em caso de contacto com a pele, lave imediatamente com água. Em caso de vermelhidão, dor ou irritação, consulte um médico. Em caso de contacto com os olhos, enxágue imediatamente com água limpa e consulte um médico.

Carregadores

O seu carregador foi concebido para uma tensão de rede específica. Verifique sempre se a tensão eléctrica corresponde à indicada na placa de especificações.

Advertência! Nunca tente substituir o carregador por uma tomada normal.

- ◆ Utilize o seu carregador Black & Decker apenas para carregar as baterias do tipo fornecido com o aparelho / a sua ferramenta. Outras baterias poderiam explodir, causando ferimentos pessoais e danos.
- ◆ Nunca tente carregar baterias não recarregáveis.
- ◆ Se o cabo de alimentação estiver danificado, deverá ser substituído pelo fabricante ou por um Centro de Assistência autorizado pela Black & Decker, de modo a evitar riscos.
- ◆ Não deixe que o carregador entre em contacto com a água.
- ◆ Não abra o carregador.
- ◆ Não submeta o carregador a testes.
- ◆ O aparelho/ferramenta/bateria deve ser colocado/a numa área bem ventilada enquanto carrega.

Segurança eléctrica

O seu carregador foi concebido para uma tensão de rede específica. Verifique sempre se a tensão eléctrica corresponde à indicada na placa de especificações. Nunca tente substituir o carregador por uma tomada normal.

- ◆ Este aparelho não se destina a ser utilizado por pessoas (incluindo crianças) com reduzidas capacidades físicas, sensoriais ou mentais ou falta de experiência e conhecimentos, a menos que tenham recebido instruções ou sejam supervisionadas relativamente à utilização do aparelho por uma pessoa responsável pela sua segurança.
- ◆ As crianças deverão ser vigiadas para que não brinquem no aparelho.

Símbolos no carregador



O seu carregador está duplamente isolado, pelo que não é necessário fio de terra.



F

Transformador isolado contra falhas. A fonte de alimentação está electricamente separada da saída do transformador.



O carregador desliga-se automaticamente caso a temperatura ambiente fique demasiado elevada. Em consequência, o carregador fica inoperacional. A unidade deve ser desligada da fonte de alimentação de rede e levada para ser reparada num centro de reparação autorizado.



O carregador destina-se apenas a ser utilizado no interior.



Leia atentamente o manual antes de utilizar o aparelho.

Advertência! Mantenha os aparelhos eléctricos fora do alcance das crianças ou pessoas enfermas. Não deixe que estes utilizem os aparelhos sem supervisão.

Características

1. Interruptor de ligar/desligar
2. Reservatório de pó

Fig. A

3. Bico estreito
4. Escova

Desempacotamento

Identificação do seu produto

A concepção do modelo pode ser determinada através dos códigos sufixos utilizados no número de catálogo. Neste manual descrevem-se os seguintes números de catálogo: NV19XXYZ H2/ NV24XXYZ H2/NV36XXYZ H2/ NV48XXYZ H2/NV60XXYZ H2/ NV72XXYZ H2

O código sufixo XX corresponde às seguintes concepções:

00/99: pega em vareta, sem acessórios fornecidos

03: pega em aro, fornecido com bico estreito e escova

O código sufixo Y é utilizado para identificar a gama de cor, edição e opções especiais. O código sufixo Z representado pela letra N é utilizado para modelos com uma bateria NiMH.

Instalação

NV24XXYZ/NV36XXYZ/NV48XXYZ/ NV60XXYZ/NV72XXYZ - Instalação da base de carga na parede (fig. B1 & B2)

A base de carga pode ser colocada sobre uma mesa de trabalho ou colocada na parede de modo a obter um meio de armazenagem e um ponto de carregamento convenientes.

Montagem

Colocação dos acessórios (fig. A & C)

Dependendo do modelo, o aparelho é fornecido com os seguintes acessórios:

- ◆ um bico estreito (3) para espaços limitados
- ◆ uma escova (4) para móveis e escadas

Para encaixar os acessórios, proceda da seguinte forma:

- ◆ Retire os acessórios do aparelho.
- ◆ Insira o acessório adequado na parte frontal do aparelho.

Poderá recolocar o outro acessório encaixando-o no suporte para acessórios.

Para recolocar ambos acessórios:

- ◆ Empurre-os até que encaixem no lugar.

Utilização

- ◆ O aparelho pode ser carregado colocado sobre uma mesa de trabalho ou colocado na parede utilizando o gancho de parede fornecido.
- ◆ Antes da primeira utilização, carregue a bateria pelo menos durante 24 horas seguidas.
- ◆ Deixe o aparelho ligado ao carregador sempre que este não estiver a ser utilizado.

Carregamento da bateria (fig. B1 - B3)

NV24XXYZ/NV36XXYZ/NV48XXYZ/ NV60XXYZ/NV72XXYZ (fig. B1 & B2)

- ◆ Assegure-se de que o aparelho está desligado. A bateria não se carregará com o interruptor de ligar/desligar na posição de ligado.
- ◆ Coloque devidamente o aparelho no carregador, alinhando a seta do carregador com a ranhura do aparelho.
- ◆ Ligue o carregador à corrente eléctrica.
- ◆ Ligue a corrente.
- ◆ Deixe o aparelho a carregar pelo menos durante 24 horas seguidas.

NV19XXY (fig. B3)

- ◆ Assegure-se de que o aparelho está desligado. A bateria não se carregará com o interruptor de ligar/desligar na posição de ligado.
- ◆ Insira a ficha do carregador (6) no conector do carregador (7) na parte traseira do aparelho.
- ◆ Ligue o carregador à corrente eléctrica (5).
- ◆ Ligue a corrente.
- ◆ Deixe o aparelho a carregar pelo menos durante 24 horas seguidas.

Nota: É possível que o carregador aqueça um pouco durante o processo de carga. Isso é normal e não indica qualquer problema. É possível deixar o aparelho ligado ao carregador indefinidamente.

Advertência! Não carregue a bateria em ambientes com temperatura inferior a 10 °C ou superior a 40 °C.

Como ligar e desligar a ferramenta (fig. D)

- ◆ Para ligar o aparelho, empurre o interruptor de ligar/desligar (1) para a frente.
- ◆ Para desligá-lo, empurre o interruptor de ligar/desligar para trás.

Limpeza e manutenção

Advertência! Limpe os filtros regularmente.

Limpeza do reservatório de pó e dos filtros (fig. E & F)

Os filtros são reutilizáveis e devem ser limpos regularmente.

- ◆ Remova o reservatório de pó (2) rodando-o para a esquerda.
- ◆ Esvazie o reservatório de pó.
- ◆ Retire o filtro (8) rodando-o para a esquerda.
- ◆ Lave os filtros em água morna com sabão. O reservatório também pode ser lavado se necessário. Não permita que o aparelho seja imerso em água.
- ◆ Assegure-se de que o reservatório de pó e os filtros estão secos.
- ◆ Volte a colocar o filtro (8), rodando-o para a direita até fixar em posição.
- ◆ Encaixe o reservatório de pó no aparelho. Assegure-se de que o reservatório de pó está encaixado no lugar apropriado.

Advertência! Nunca utilize o aparelho sem os filtros. A recolha óptima do lixo irá ocorrer somente com os filtros limpos e o reservatório de pó vazio.

Substituição dos filtros

Substitua os filtros em intervalos de 6 a 9 meses e sempre que estiverem gastos ou danificados. Poderá obter filtros para recâmbio através de seu revendedor Black & Decker (número de catálogo: VF60).

- ◆ Retire os filtros usados conforme descrito acima.
- ◆ Encaixe os filtros novos conforme descrito acima.

Protecção do meio ambiente



Recolha em separado. Não deve deitar este produto fora juntamente com o lixo doméstico normal.

Caso chegue o momento em que um dos seus produtos Black & Decker precise de ser substituído ou decida desfazer-se do mesmo, não o deite fora juntamente com o lixo doméstico. Tome este produto disponível para uma recolha em separado.



A recolha em separado de produtos e embalagens utilizados permite que os materiais sejam reciclados e reutilizados. A reutilização de materiais reciclados ajuda a evitar a poluição ambiental e a reduzir a procura de matérias-primas.

Os regulamentos locais poderão providenciar a recolha em separado de produtos eléctricos junto das casas, em lixeiras municipais ou junto dos fornecedores ao adquirir um novo produto.

A Black & Decker oferece um serviço de recolha e reciclagem de produtos Black & Decker que tenha atingido o fim das suas vidas úteis. Para tirar proveito deste serviço, devolva seu produto a qualquer agente de reparação autorizado, que se encarregará de recolher o equipamento em nosso nome.

Para verificar a localização do agente de reparação mais próximo de si, contacte o escritório local da Black & Decker no endereço indicado neste manual. Se preferir, consulte a lista de agentes autorizados da Black & Decker e os dados completos dos nossos serviços de atendimento pós-venda na Internet no endereço: www.2helpU.com

Bateria (fig. G)



Antes de se desfazer do produto, remova a bateria conforme os procedimentos abaixo e descarte-o de acordo com as normas locais.

Caso deseje desfazer-se do produto por sua conta, remova a bateria conforme os procedimentos abaixo e descarte-a de acordo com as normas locais.

Advertência! Desligue o aparelho da fonte de alimentação antes de retirar a bateria.

- ◆ Descarregue a bateria deixando o motor a funcionar até parar.
- ◆ Retire os acessórios do aparelho.
- ◆ Retire os parafusos (9).

- ◆ Abra o aparelho.
- ◆ Retire a bateria com o motor e o módulo do interruptor (10).
- ◆ Utilize uma chave de fendas para separar a bateria do motor e módulo do interruptor.
- ◆ Coloque a bateria numa embalagem apropriada para garantir que os terminais não possam entrar em curto-circuito.
- ◆ Leve-a ao seu distribuidor ou a uma estação local de reciclagem.

Advertência! Uma vez removida, não será possível recolocar a bateria.

Dados técnicos

	NV19XXYZ H2	NV24XXYZ H2
Voltagem	V 2,4	2,4
Tipo de bateria	NiCd/NiMH	NiCd/NiMH
Peso	kg 0,65	0,65

	NV36XXYZ H2	NV48XXYZ H2
Voltagem	V 3,6	4,8
Tipo de bateria	NiCd/NiMH	NiCd/NiMH
Peso	kg 0,7	0,85

	NV60XXYZ H2	NV72XXYZ H2
Voltagem	V 6,0	7,2
Tipo de bateria	NiCd/NiMH	NiCd/NiMH
Peso	kg 0,9	0,95

Carregador

	*A035015D	*A050020D
Modelo	NV19/NV24	NV36
Voltagem	V_{AC} 230	230
Voltagem de saída	V_{AC} 3,5	5
Amperagem	mA 150	200
Tempo aproximado de carregamento h	24	24
Peso	kg 0,2	0,2

	*A070015D	*A075020D
Modelo	NV48	NV60
Voltagem	V_{AC} 230	230
Voltagem de saída	V_{AC} 7	7,5
Amperagem	mA 150	200
Tempo aproximado de carregamento h	24	24
Peso	kg 0,2	0,2

*A090020D	
Modelo	NV72
Voltagem	V_{AC} 230
Voltagem de saída	V_{AC} 9
Amperagem	mA 200
Tempo aproximado de carregamento	h 24
Peso	kg 0,2

Nível de pressão de ruído segundo a EN 60704-1:

Pressão acústica (L_{pa}) < 70 dB(A), imprecisão (K) 3 dB(A)

Número de aplicação da patente da Comunidade Europeia:
000 540 745 & 000 540 752

Número de aplicação da patente da Comunidade Europeia:
000 541 230 & 000 540 752

DUSTBUSTER é uma marca comercial registada da Black & Decker Corporation.

Garantia

A Black & Decker confia na qualidade de seus produtos e oferece um programa de garantia excelente. Esta declaração de garantia soma-se aos seus direitos legais e não os prejudica em nenhum aspecto. A garantia será válida nos territórios dos Estados Membros da União Europeia e na Área de Livre Comércio da Europa.

Caso algum produto da Black & Decker apresente avarias devido a defeitos de material, mão-de-obra ou ausência de conformidade no prazo de 24 meses a partir da data de compra, a Black & Decker garantirá a substituição das peças defeituosas, a reparação dos produtos que foram submetidos a uso adequado e remoção ou substituição dos mesmos para assegurar o mínimo de inconvenientes ao cliente a menos que:

- ◆ O produto tenha sido utilizado para fins comerciais, profissionais ou aluguer;
- ◆ O produto tenha sido submetido a uso incorrecto ou descuido;

- ◆ O produto tenha sofrido danos causados por objectos estranhos, substâncias ou acidentes;
- ◆ Tenha um histórico de reparações efectuadas por terceiros que não sejam os agentes autorizados ou profissionais de manutenção da Black & Decker.

Para activar a garantia, será necessário enviar a prova de compra ao revendedor ou agente de reparação autorizado. Para verificar a localização do agente de reparação mais próximo de si contacte o escritório local da Black & Decker no endereço indicado neste manual. Se preferir, consulte a lista de agentes autorizados da Black & Decker e os dados completos de nossos serviços de atendimento pós-venda na Internet no endereço: www.2helpU.com

Visite o nosso website www.blackanddecker.eu para registar o seu novo produto Black & Decker e para se manter actualizado sobre novos produtos e ofertas especiais. Estão disponíveis mais informações sobre a Black & Decker e sobre a nossa gama de produtos em www.blackanddecker.eu

Användningsområde

Black & Decker Dustbuster® är avsedd för lätt och torr dammsugning. Produkten är endast avsedd för hemmabruk.

Säkerhetsanvisningar

- ◆ **Varning!** Vid användning av batteridrivna apparater är det viktigt att man bl.a. följer nedanstående grundläggande säkerhetsanvisningar för att minska risken för brand, batteriläckage, personskador och materialskador.
- ◆ Läs bruksanvisningen innan du använder apparaten.
- ◆ Apparaten är avsedd för den användning som beskrivs i denna bruksanvisning. Använd endast de tillbehör och tillsatser som rekommenderas i bruksanvisningen och katalogerna. Användning av annan tillsats eller annat tillbehör kan innebära risk för personskada.
- ◆ Spara bruksanvisningen för framtida bruk.

Användning av apparaten

- ◆ Sug inte upp vätskor eller lättantändligt material med apparaten.
- ◆ Använd inte apparaten i närheten av vatten. Doppa aldrig apparaten i vatten.
- ◆ Dra aldrig i laddarsladden för att ta ut den ur vägguttaget. Utsätt inte laddarsladden för värme, olja eller skarpa kanter.

Efter användning

- ◆ Tag ur laddarkontakten före rengöring.
- ◆ När apparaten inte används skall den förvaras torrt. Se till att barn inte kan få tag på apparater.

Kontroll och reparation

- ◆ Kontrollera om apparaten är skadad eller defekt, innan den används. Kontrollera att inga delar är trasiga, att strömbrytaren inte är skadad eller att något annat som kan inverka på funktionen.
- ◆ Använd inte apparaten om någon del är skadad eller defekt.

- ◆ Om fel uppstår skall delarna repareras eller bytas ut av en auktoriserad Black & Decker serviceverkstad.
- ◆ Kontrollera regelbundet att laddarsladden inte är skadad. Byt ut laddaren om sladden är skadad eller inte fungerar som den ska.
- ◆ Försök aldrig att ta bort eller byta ut andra delar än dem som nämns i denna bruksanvisning.

Övriga risker

Ytterligare risker som inte finns med i de bifogade säkerhetsföreskrifterna kan uppstå när verktyget används. Dessa risker kan uppstå vid felaktig eller långvarig användning, etc.

Även om alla relevanta säkerhetsföreskrifter följs och säkerhetsanordningar används kan vissa ytterligare risker inte undvikas. Dessa innefattar:

- ◆ Skador orsakade av att roterande/rörliga delar vidrörs.
- ◆ Skador som uppstår vid byte av delar, blad eller tillbehör.
- ◆ Skador som orsakas av långvarig användning av ett verktyg. Se till att ta regelbundna raster när du använder ett verktyg under en längre period.
- ◆ Skador på hörseln.
- ◆ Hälsorfaror orsakade av inandning av damm när verktyget används (exempel: arbete med trä, särskilt ek, bok och MDF).

Andra personers säkerhet

- ◆ Apparaten är inte avsedd att användas av personer (inklusive barn) med försvagade fysiska, sensoriska eller mentala förmågor, eller som saknar erfarenhet och kunskaper, om de inte får övervakning eller undervisning i användning av apparaten av någon som ansvarar för deras säkerhet.
- ◆ Håll uppsyn så att inga barn leker med apparaten.

Tillkommande säkerhetsanvisningar för batterier och laddare

Batterier

- ◆ Försök aldrig öppna.
- ◆ Låt inte batteriet komma i kontakt med vatten.
- ◆ Exponera inte batteriet för värme.
- ◆ Förvara inte batteriet i utrymmen där temperaturen kan överstiga 40 °C.
- ◆ Ladda endast inom temperaturområdet 10 °C till 40 °C.
- ◆ Ladda endast med laddaren som medföljer.
- ◆ När batterierna kasseras skall instruktionerna i kapitlet "Miljöskydd" följas.
- ◆ Se till att inte skada eller deformera batteriet genom perforering eller stötar, eftersom det kan leda till risk för personskada och brand.
- ◆ Försök aldrig ladda skadade batterier.
- ◆ Under extrema förhållanden kan batteriet läcka. Om du upptäcker vätska från batteriet skall följande iakttagas:
 - ◆ Torka försiktigt bort vätskan med en trasa. Undvik kontakt med huden.
 - ◆ Vid kontakt med huden eller ögonen skall instruktionerna nedan följas.

Varning! Batterivätskan kan orsaka personskador eller skador på egendom. Skölj omedelbart med vatten vid kontakt med huden. Den som drabbas av rodnad, smärta eller irritation bör uppsöka läkare. Om syran kommer i kontakt med ögonen, skölj rikligt med rent vatten och kontakta läkare.

Laddare

Din laddare är avsedd för en specifik nätspänning. Kontrollera alltid att nätspänningen överensstämmer med typskylten.

Varning! Försök aldrig att ersätta laddningsenheten med en vanlig nätkontakt.

- ◆ Använd Black & Decker-laddaren endast för att ladda batteriet i apparaten/verktyget det medföljde. Andra typer av batterier kan explodera och försaka person- och materialskador.

- ◆ Försök aldrig ladda icke-uppladdningsbara batterier.
- ◆ Om nätsladden är skadad måste den bytas ut av tillverkaren eller en godkänd Black & Decker-serviceverkstad för att undvika en risksituation.
- ◆ Låt inte laddaren komma i kontakt med vatten.
- ◆ Öppna inte laddaren.
- ◆ Gör ingen åverkan på laddaren.
- ◆ Apparaten/verktyget/batteriet måste vara placerat i ett väl ventilerat utrymme under laddning.

Elsäkerhet

Din laddare är avsedd för en specifik nätspänning. Kontrollera alltid att nätspänningen överensstämmer med typskylten. Försök aldrig att ersätta laddningsenheten med en vanlig nätkontakt.

- ◆ Apparaten är inte avsedd att användas av personer (inklusive barn) med försvagade fysiska, sensoriska eller mentala förmågor, eller som saknar erfarenhet och kunskaper, om de inte får övervakning eller undervisning i användning av apparaten av någon som ansvarar för deras säkerhet.
- ◆ Håll uppsyn så att inga barn leker med apparaten.

Symboler på laddaren



Laddaren är dubbelisolerad; jordledare är således överflödiga.



Felsäker isolertransformator. Nätströmmen är elektriskt separerad från transformatorutgången.



Laddaren stängs automatiskt av om omgivningstemperaturen är för hög. I så fall går laddaren inte längre att använda. Apparaten måste kopplas lös från elnätet och lämnas in hos en auktoriserad servicepunkt för reparation.



Laddaren är endast avsedd för inomhusbruk.



Läs bruksanvisningen innan du använder apparaten.

Varning! Förvara elektriska apparater utom räckhåll för barn och sjuka. Låt dem aldrig använda apparaterna utan tillsyn.

Detaljbeskrivning

1. Strömbrytare
2. Dammbehållare

Fig. A

3. Elementmunstycke
4. Borstmunstycke

Utpackning

Identifiering av produkten

Modellkonstruktionen kan bestämmas med hjälp av suffixkoderna som används i katalognumret. Följande katalognummer beskrivs i denna bruksanvisning:
 NV19XXYZ H2/NV24XXYZ H2/
 NV36XXYZ H2/NV48XXYZ H2/
 NV60XXYZ H2/NV72XXYZ H2

Suffixkoden XX motsvarar följande konstruktioner:

00/99: stavhandtag, inga medföljande tillbehör

03: öglehandtag, elementmunstycke och borstmunstycke medföljer

Suffixkoden Y används för att identifiera omfattningen av färg, tryck och speciala val. Suffixkoden Z som utgörs av bokstaven N används för modeller med ett NiMH-batteri.

Installation

NV24XXYZ/NV36XXYZ/NV48XXYZ/ NV60XXYZ/NV72XXYZ - Montera laddarhållaren på väggen (fig. B1 & B2)

Laddarhållaren kan placeras på en arbetsbänk eller monteras på en vägg som en praktisk laddnings- och förvaringsplats för apparaten.

Montering

Montering av tillbehör (fig. A & C)

Apparaten är försedd med följande tillbehör, beroende på modellen:

- ◆ ett fogmunstycke (3) för svåråtkomliga ställen
- ◆ ett borstmunstycke (4) för möbler och trappsteg

Montera tillbehör så här:

- ◆ Ta loss tillbehören från apparaten.
- ◆ Sätt in önskat tillbehör fram till apparaten.

Du kan sätta tillbaka det tidigare tillbehöret genom att klicka fast det på tillbehörshållaren.

Sätta tillbaka bägge tillbehören:

- ◆ Tryck ner tillbehören tills de klickar fast på plats.

Användning

- ◆ Apparaten kan laddas medan den står på en arbetsbänk eller hänger på väggen med den bifogade väggkroken.
- ◆ Före den första användningen måste batteriet laddas i minst 24 timmar.
- ◆ Lämna alltid apparaten ansluten till laddaren när den inte används.

Laddning av batteriet (fig. B1 - B3)

NV24XXYZ/NV36XXYZ/NV48XXYZ/ NV60XXYZ/NV72XXYZ (fig. B1 & B2)

- ◆ Kontrollera att apparaten är avstängd. Batteriet laddas inte om strömbrytaren står i det påslagna läget.
- ◆ Fäst apparaten ordentligt på laddaren, var noga med att rikta in pilen på laddaren med apparatens delning.
- ◆ Anslut laddaren till vägguttaget.
- ◆ Sätt på huvudströmmen.
- ◆ Låt apparaten laddas i minst 24 timmar.

NV19XXY (fig. B3)

- ◆ Kontrollera att apparaten är avstängd. Batteriet laddas inte om strömbrytaren står i det påslagna läget.
- ◆ Sätt laddningspluggen (6) i laddningsuttaget (7) på apparatens baksida.
- ◆ Anslut laddaren till ett nätuttag (5).
- ◆ Sätt på huvudströmmen.

- ◆ Låt apparaten laddas i minst 24 timmar.

Obs!: Laddaren kan bli varm under laddningen. Det är normalt och tyder inte på något problem. Apparaten kan vara ansluten till laddaren under obegränsad tid.

Varning! Ladda inte batteriet vid temperaturer under 10 °C eller över 40 °C.

Start och stopp (fig. D)

- ◆ Skjut strömbrytaren (1) framåt för att starta apparaten.
- ◆ Skjut den bakåt för att slå av apparaten.

Rengöring och underhåll

Varning! Rengör filtren regelbundet.

Rengöring av dammbehållaren och filtren (fig. E & F)

Filtren är återanvändbara och ska rengöras regelbundet.

- ◆ Avlägsna dammbehållaren (2) genom att vrida den moturs.
- ◆ Töm dammbehållaren.
- ◆ Ta ut filterenheten (8) genom att vrida den moturs.
- ◆ Tvätta filtren i varmt vatten och tvål. Om det skulle behövas, går också dammbehållaren att tvätta. Doppa aldrig apparaten i vatten.
- ◆ Se till att dammbehållaren och filtren har torkat helt.
- ◆ Sätt tillbaka filterenheten(8) i apparaten, och vrid medurs tills den låses fast.
- ◆ Sätt tillbaka dammbehållaren på apparaten. Se till att dammbehållaren knäpper fast.

Varning! Använd aldrig apparaten utan filter. Optimal sugkapacitet uppnås endast med rena filter och tom dammbehållare.

Byte av filtren

Filtren ska bytas med intervall på 6 till 9 månader, eller vid behov om de är utslitna eller skadade. Du kan skaffa nya filter hos din Black & Decker-återförsäljare (katalognummer: VF60).

- ◆ Avlägsna filtren enligt ovanstående beskrivning.
- ◆ Montera de nya filtren enligt ovanstående beskrivning.

Miljöskydd



Särskild insamling. Denna produkt får inte kastas bland vanliga hushållssopor.

Om du någon gång i framtiden behöver ersätta din Black & Decker-produkt med en ny, eller inte längre behöver den, ska du inte kasta den i hushållssoporna. Denna produkt skall lämnas till särskild insamling.



Efter insamling av använda produkter och förpackningsmaterial kan materialen återvinnas och användas på nytt. Användning av återvunna material skonar miljön och minskar förbrukningen av råvaror.

Enligt lokal lagstiftning kan det förekomma särskilda insamlingar av uttjänt elutrustning från hushåll, antingen vid kommunala miljöstationer eller hos detaljhandlaren när du köper en ny produkt.

Black & Decker erbjuder en samlings- och återvinnings-tjänst för Black & Decker-produkter när de en gång har tjänat ut. För att använda den här tjänsten lämnar du in produkten till en auktoriserad Black & Decker -reparatör/representant som tar hand om den för din räkning.

Närmaste auktoriserad Black & Decker-representant finner du genom det lokala Black & Decker-kontoret på adressen i den här manualen. Annars kan du söka på Internet, på listan över auktoriserade Black & Decker-representanter och alla uppgifter om vår kundservice och andra kontakter www.2helpU.com

Batteri (fig. G)



När du kasserar produkten måste batteriet avlägsnas enligt beskrivningen nedan och tas om hand enligt lokalt gällande lagstiftning.

Skydda miljön genom att lämna kasserade batterier på därför avsedd uppsamlingsplats.

Varning! Koppla bort apparaten från nätspänningen före batteriet avlägsnas.

- ◆ Ladda ur batteriet genom att använda apparaten tills motorn slutar gå.
- ◆ Ta loss tillbehören från apparaten.
- ◆ Avlägsna skruvarna (9).
- ◆ Öppna apparaten.
- ◆ Ta bort batteriet och modulen med motor och strömställare (10).
- ◆ Använd en skruvmejsel för att ta loss batteriet från modulen med motor och strömställare.
- ◆ Lägg batteriet i en lämplig förpackning så att kontakterna inte kan kortslutas.
- ◆ Lämna in batteriet på inköpsstället eller på den lokala återvinningsstationen.

Varning! När batteriet har tagits ut kan det inte sättas tillbaka.

Tekniska data

	NV19XXYZ H2	NV24XXYZ H2
Spänning	V 2,4	2,4
Batterityp	NiCd/NiMH	NiCd/NiMH
Vikt	kg 0,65	0,65

	NV36XXYZ H2	NV48XXYZ H2
Spänning	V 3,6	4,8
Batterityp	NiCd/NiMH	NiCd/NiMH
Vikt	kg 0,7	0,85

	NV60XXYZ H2	NV72XXYZ H2
Spänning	V 6,0	7,2
Batterityp	NiCd/NiMH	NiCd/NiMH
Vikt	kg 0,9	0,95

Laddare

	*A035015D	*A050020D
Modell	NV19/NV24	NV36
Spänning	V _{AC} 230	230
Utspänning	V _{AC} 3,5	5
Amperetal	mA 150	200
Laddningstid		
cirka	h 24	24
Vikt	kg 0,2	0,2

	*A070015D	*A075020D
Modell	NV48	NV60
Spänning	V _{AC} 230	230
Utspänning	V _{AC} 7	7,5
Amperetal	mA 150	200
Laddningstid		
cirka	h 24	24
Vikt	kg 0,2	0,2

	*A090020D
Modell	NV72
Spänning	V _{AC} 230
Utspänning	V _{AC} 9
Amperetal	mA 200
Laddningstid	
cirka	h 24
Vikt	kg 0,2

Bullernivå, uppmätt enligt EN 60704-1:

Bullernivå (L_{pA}) < 70 dB(A), avvikelse (K) 3 dB(A)

Europeiska unionen-
patentansökningsnummer:
000 540 745 & 000 540 752

Europeiska unionen-
tillverkningsansökningsnummer:
000 541 230 & 000 540 752

DUSTBUSTER är ett registrerat varumärke tillhörande Black & Decker Corporation.

Reservdelar/Reparationer

Reservdelar finns att köpa hos auktoriserade Black & Decker verkstäder, som även ger kostnadsförslag och reparerar våra produkter.

Förteckning över våra auktoriserade verkstäder finns på Internet, vår hemsida www.blackanddecker.se samt www.2helpU.com

Garanti

Black & Decker garanterar att produkten är fri från material- och/eller fabrikationsfel vid leverans till kund. Garantin är i tillägg till konsumentens lagliga rättigheter och påverkar inte dessa. Garantin gäller inom medlemsstaterna i Europeiska Unionen och i det Europeiska Frihandelsområdet.

Om en Black & Decker produkt går sönder på grund av material- och/eller fabrikationsfel eller brister i överensstämmelse med specifikationen, inom 24 månader från köpet, åtar sig Black & Decker att reparera eller byta ut produkten med minsta besvär för kunden.

Garantin gäller inte för fel som beror på:

- ◆ normalt slitage
- ◆ felaktig användning eller skötsel
- ◆ att produkten skadats av främmande föremål, ämnen eller genom olyckshändelse

Garantin gäller inte om reparation har utförts av någon annan än en auktoriserad Black & Decker verkstad.

För att utnyttja garantin skall produkten och inköpskvittot lämnas till återförsäljaren eller till en auktoriserad verkstad senast 2 månader efter det att felet har upptäckts. För information om närmaste auktoriserad verkstad; kontakta det lokala Black & Decker kontoret på den adress som är angiven i bruksanvisningen. En lista på alla auktoriserade verkstäder samt servicevillkor finns även tillgängligt på Internet, adress: **www.2helpU.com**

Besök vår webbplats

www.blackanddecker.se för att registrera din nya Black & Decker-produkt samt för att erhålla information om nya produkter och specialerbjudanden. Vidare information om märket Black & Decker och vårt produktsortiment kan återfinnas på **www.blackanddecker.se**

Bruksområder

Black & Decker Dustbuster® er konstruert for lett, tørr støvsuging. Apparatet er kun ment for bruk i hjemmet.

Sikkerhetsinstruksjoner

- ◆ **Advarsel!** Når du bruker oppladbare redskaper, må du følge en del grunnleggende sikkerhetsregler, se nedenfor, for å redusere faren for brann, batterilekkasje, personskade og materiell skade.
- ◆ Les nøye gjennom hele denne håndboken før du begynner å bruke apparatet.
- ◆ Bruksanvisningen beskriver hvordan apparatet skal brukes. Bruk bare tilbehør og utstyr til dette apparatet som anbefales i bruksanvisningen. Bruk av annet tilbehør eller utstyr kan medføre risiko for personskade.
- ◆ Ta vare på denne bruksanvisningen for fremtidig bruk.

Bruk av apparatet

- ◆ Apparatet må ikke brukes til å suge opp væske eller materialer som kan ta fyr.
- ◆ Apparatet må ikke brukes i nærheten av vann. Apparatet må ikke dyppes i vann.
- ◆ Trekk aldri i laderledningen når du skal kople laderen fra stikkontakten. Utsett ikke laderledningen for varme, olje eller skarpe kanter.

Etter bruk

- ◆ Trekk ut kontakten før du rengjør laderen.
- ◆ Når apparatet ikke er i bruk, må det oppbevares på et tørt sted. Apparatet skal oppbevares utilgjengelig for barn.

Kontroll og reparasjon

- ◆ Før bruk må du kontrollere apparatet for skadde eller defekte deler. Kontroller også at det ikke finnes deler med brist, at bryterne ikke er skadet og eventuelle andre forhold som kan påvirke driften av apparatet.
- ◆ Bruk aldri apparatet hvis noen av delene er skadde eller defekte.

- ◆ Ved skade eller feil må delene repareres eller byttes ut av et autorisert serviceverksted.
- ◆ Sjekk jevnlig om laderledningen kan være skadet. Bytt laderen hvis ledningen er skadet eller ikke fungerer som den skal.
- ◆ Prøv aldri å fjerne eller bytte andre deler enn de som er angitt i denne bruksanvisningen.

Andre risikoer

Ved bruk av verktøyet kan det oppstå ytterligere risikoer som kanskje ikke er inkludert i sikkerhetsadvarslene som følger med. Disse risikoene kan bli forårsaket av feil bruk, langvarig bruk, osv.

Selv om de relevante sikkerhetsbestemmelsene blir fulgt, og sikkerhetstiltakene blir gjennomført, kan visse gjenværende risikoer ikke unngås.

Disse omfatter:

- ◆ Personskader som forårsakes av berøring av en roterende/bevegelig del.
- ◆ Personskader som forårsakes av at en del, et blad eller tilbehør endres.
- ◆ Personskader som forårsakes av langvarig bruk av et verktøy. Når du bruker et verktøy i lange perioder, må du sørge for å ta regelmessige pauser.
- ◆ Svekket hørsel.
- ◆ Helsefarer som forårsakes av innånding av støv som dannes når du bruker verktøyet (eksempel: arbeid med tre, spesielt eik, bøk og MDF).

Andre personers sikkerhet

- ◆ Apparatet er ikke beregnet til å brukes av personer (inkludert barn) med redusert fysisk, sansemessig eller mental kapasitet eller mangel på erfaring og kunnskap, med mindre de er under oppsyn eller har fått opplæring i bruk av apparatet av en person som har ansvaret for deres sikkerhet.
- ◆ Barn må ha tilsyn for å sikre at de ikke leker med apparatet.

Ekstra sikkerhetsforskrifter for batterier og ladere

Batterier

- ◆ Gjør aldri under noen omstendigheter forsøk på å åpne apparatet.
- ◆ Batteriet må ikke komme i kontakt med vann.
- ◆ Batteriet må ikke utsettes for varme.
- ◆ Må ikke oppbevares på steder hvor temperaturen kan overstige 40 °C.
- ◆ Må bare lades i lufttemperaturer mellom 10 °C og 40 °C.
- ◆ Må bare lades med laderen som følger med apparatet/verktøyet.
- ◆ Når batteriene skal kastes, følg instruksene i avsnittet "Miljøvern".
- ◆ Du må ikke skade eller deformere batteriet med punktering eller støt, dette kan skape fare for skader og brann.
- ◆ Ikke lad opp skadede batterier.
- ◆ Under ekstreme forhold kan det oppstå batterilekkasje. Når du oppdager væske på batteriene, gjør følgende:
 - ◆ Tørk forsiktig bort væsken med en klut. Unngå hudkontakt.
 - ◆ I tilfeller hvor det oppstår kontakt med hud eller øyne, skal instruksjonene nedenfor følges.

Advarsel! Batterivæsken kan forårsake personskader eller materielle skader. Hvis den kommer i berøring med hud, må du straks skylle med vann. Hvis det oppstår rødhet, smerte eller irritasjon, søk legehjelp. Ved øyekontakt, rens umiddelbart med rent vann og søk legehjelp.

Ladere

Laderen er utformet for en bestemt nettspenning. Kontroller at nettspenningen er i overensstemmelse med spenningen på typeskiltet.

Advarsel! Du må aldri forsøke å bytte laderen ut med et vanlig støpsel.

- ◆ Bruk din Black & Decker lader kun sammen med det batteriet som blir levert med apparatet/verktøyet. Andre typer batterier kan eksplodere og forårsake person- og materialskader.

- ◆ Forsøk aldri å lade ikke-oppladbare batterier.
- ◆ Hvis strømledningen skades, må den skiftes ut av produsenten eller et autorisert Black & Decker servicesenter for å unngå fare.
- ◆ Laderen må ikke komme i kontakt med vann.
- ◆ Laderen må ikke åpnes.
- ◆ Ikke undersøk laderen på egenhånd.
- ◆ Apparatet/verktøyet/batteriet må plasseres i et godt ventilert område ved lading.

Elektrisk sikkerhet

Laderen er utformet for en bestemt nettspenning. Kontroller at nettspenningen er i overensstemmelse med spenningen på typeskiltet. Du må aldri forsøke å bytte laderen ut med et vanlig støpsel.

- ◆ Apparatet er ikke beregnet til å brukes av personer (inkludert barn) med redusert fysisk, sansemessig eller mental kapasitet eller mangel på erfaring og kunnskap, med mindre de er under oppsyn eller har fått opplæring i bruk av apparatet av en person som har ansvaret for deres sikkerhet.
- ◆ Barn må ha tilsyn for å sikre at de ikke leker med apparatet.

Symboler på laderen



Laderen er dobbeltisolert. Derfor er ikke jording nødvendig.



Feilsikker skilletransformator. Nettstrømforsyningen er elektrisk atskilt fra transformatorens utgang.



Laderen slås automatisk av hvis omgivelsestemperaturen blir for høy. Følgelig vil det ikke være mulig å bruke laderen. Enheten må kobles fra strømmettet og leveres inn til reparasjon i et autorisert servicesenter.



Laderen er kun beregnet på innendørs bruk.



Les nøye gjennom hele håndboken før du begynner å bruke apparatet.

Advarsel! Hold elektriske apparater utenfor rekkevidde for barn og ustabile personer. Ikke la dem bruke apparatene uten tilsyn.

Egenskaper

1. Strømbryter
2. Støvoppsamler

Fig. A

3. Radiatormunnstykke
4. Børstemunnstykke

Utpakking

Identifisere produktet

Modellen finner du ved å se på kodene i katalognummeret. Følgende katalognumre beskrives i denne manualen:

NV19XXYZ H2/NV24XXYZ H2/
NV36XXYZ H2/NV48XXYZ H2/
NV60XXYZ H2/NV72XXYZ H2

Kode XX tilsvarende følgende design:

00/99: Stanghåndtak, ingen tilbehør levert

03: Løkkehåndtak, levert med radiatormunnstykke og børstemunnstykke

Kode Y brukes til å identifisere utvalget av farge, trykk og spesielle opsjoner. Koden Z representert med bokstaven N brukes for modeller med et NiMH-batteri.

Installasjon

NV24XXYZ/NV36XXYZ/NV48XXYZ/ NV60XXYZ/NV72XXYZ - Feste laderholderen på veggen (fig. B1 & B2)

Du kan sette laderen på et bord eller feste den på veggen, slik at du får et praktisk punkt for oppbevaring og ladning av apparatet.

Montering

Montering av tilbehøret (fig. A & C)

Dette apparatet leveres med følgende tilbehør (avhengig av modell):

- ◆ et smalt munnstykke (3) for trange steder
 - ◆ en børste (4) for møbler og trapper
- Slik monterer du et tilbehør:
- ◆ Ta tilbehøret ut av apparatet.
 - ◆ Sett inn ønsket tilbehør foran på redskapet.

Du kan sette på annet tilbehør ved å klikke det inn på tilbehørholderen.

Slik fester du på igjen begge tilbehørene:

- ◆ Skyv tilbehøret ned til det klikker på plass.

Bruk

- ◆ Apparatet kan lades på et bord eller mens det henger på veggkroken som fulgte med.
- ◆ Før du bruker apparatet for første gang, må du lade batteriet i minst 24 timer.
- ◆ Apparatet skal alltid stå i laderen når det ikke er i bruk.

Ladning av batteriet (fig. B1 - B3)

NV24XXYZ/NV36XXYZ/NV48XXYZ/ NV60XXYZ/NV72XXYZ (fig. B1 & B2)

- ◆ Kontroller at apparatet er slått av. Batteriet blir ikke ladet når strømbryteren er i på-stilling.
- ◆ Sett apparatet korrekt inn på laderen ved å stille pila på laderen inn med splitten på apparatet.
- ◆ Sett laderen i vegguttaket.
- ◆ Slå på strømmen.
- ◆ La apparatet lades opp i minst 24 timer.

NV19XXY (fig. B3)

- ◆ Kontroller at apparatet er slått av. Batteriet blir ikke ladet når strømbryteren er i på-stilling.
- ◆ Sett laderstøpslet (6) i laderkontakten (7) på baksiden av apparatet.
- ◆ Koble laderen (5) til stikkkontakten.
- ◆ Slå på strømmen.
- ◆ La apparatet lades opp i minst 24 timer.

Merk: Mens ladningen pågår kan laderen bli varm. Dette er normalt og betyr ikke at noe er feil. Apparatet kan stå koplet til laderen så lenge du ønsker.

Advarsel! Ikke lad opp batteriet ved omgivelsestemperaturer under 10 °C eller over 40 °C.

Start og stopp (fig. D)

- ◆ For å slå på apparatet skyver du strømbryteren (1) fremover.
- ◆ For å slå av apparatet skyver du strømbryteren bakover.

Rengjøring og vedlikehold

Advarsel! Rengjør filtrene jevnlig.

Rengjøring av støvoppsamleren og filtrene (fig. E & F)

Filtrene kan brukes mange ganger, og må rengjøres jevnlig.

- ◆ Fjern støvoppsamleren (2) ved å vri den mot klokken.
- ◆ Tøm støvoppsamleren.
- ◆ Ta av filteret (8) ved å dreie det mot klokken.
- ◆ Vask filtrene i varmt såpevann. Støvoppsamleren kan også vaskes, om nødvendig. Apparatet må ikke dyppes i vann.
- ◆ Sørg for at støvoppsamleren og filtrene er tørre.
- ◆ Sett på filteret (8) igjen ved å dreie det med klokken til det låses på plass.
- ◆ Sett støvoppsamleren på apparatet igjen. Pass på at støvoppsamleren klikker på plass.

Advarsel! Du må aldri bruke apparatet uten filtrene. Optimal støvsuging oppnås bare med rene filtre og tom støvoppsamler.

Bytte filtre

Filtrene må byttes etter 6 til 9 måneder, og alltid når de er slitt eller skadet. Nye filtre kan skaffes hos din Black & Decker-forhandler (katalognummer: VF60).

- ◆ Fjern de gamle filtrene som beskrevet ovenfor.
- ◆ Monter de nye filtrene som beskrevet ovenfor.

Miljøvern



Kildesortering. Dette produktet må ikke kastes i det vanlige husholdningsavfallet.

Hvis du finner ut at Black & Decker-produktet ditt må skiftes ut, eller hvis du ikke lenger har bruk for det, må du unnlate å kaste det sammen med det vanlige husholdningsavfallet. Sørg for at dette produktet gjøres tilgjengelig for kildesortering.



Kildesortering av brukte produkter og emballasje gjør det mulig å resirkulere materialer og bruke dem igjen. Gjenbruk av resirkulerte materialer bidrar til å forhindre forsøpling av miljøet og reduserer behovet for råmaterialer.

Lokale regelverk kan legge tilrette for kildesortering av elektriske produkter fra husholdningen, ved kommunale deponier eller gjennom forhandleren når du kjøper et nytt produkt.

Black & Decker har tilrettelagt for innsamling og resirkulering av Black & Decker-produkter etter at de har utspilt sin rolle. Ønsker du å benytte deg av denne tjenesten, returnerer du produktet ditt til et autorisert serviceverksted, som tar det imot og formidler det videre.

Du kan få adressen til ditt nærmeste autoriserte serviceverksted ved å kontakte ditt lokale Black & Decker-kontor på adressen oppgitt i denne håndboken. Du kan også finne en komplett liste over autoriserte Black & Decker-serviceverksteder og utfyllende informasjon om vår etter salg-service og kontaktnumre på Internett på følgende adresse: www.2helpU.com

Batteri (fig. G)



Når apparatet skal kasseres, må batteriet fjernes som beskrevet nedenfor og tatt hånd om i samsvar med lokale bestemmelser.

Beskytt miljøet ved å avhende brukte batterier i samsvar med lokale bestemmelser.

Advarsel! Koble apparatet fra strømforsyningen før du tar ut batteriet.

- ◆ Lad ut batteriet ved å kjøre apparatet helt til motoren stopper.
- ◆ Ta tilbehøret ut av apparatet.
- ◆ Fjern skruene (9).
- ◆ Åpne apparatet.
- ◆ Fjern batteriet og den tilkoblede motor- og brytermodulen (10).
- ◆ Bruk en skrutrekker til å fjerne batteriet fra motor- og brytermodulen.
- ◆ Legg batteriet i egnet innpakning for å sikre at kontaktene ikke kan kortsluttes.
- ◆ Ta med batteriet til forhandleren eller den lokale resirkuleringsstasjonen.

Advarsel! Når batteriet først er fjernet, kan det ikke settes på igjen.

Tekniske data

	NV19XXYZ H2	NV24XXYZ H2
Spenning	V 2,4	2,4
Batteritype	NiCd/NiMH	NiCd/NiMH
Vekt	kg 0,65	0,65

	NV36XXYZ H2	NV48XXYZ H2
Spenning	V 3,6	4,8
Batteritype	NiCd/NiMH	NiCd/NiMH
Vekt	kg 0,7	0,85

	NV60XXYZ H2	NV72XXYZ H2
Spenning	V 6,0	7,2
Batteritype	NiCd/NiMH	NiCd/NiMH
Vekt	kg 0,9	0,95

Lader

	*A035015D	*A050020D
Modell	NV19/NV24	NV36
Spenning	V _{AC} 230	230
Utgangsspenning	V _{AC} 3,5	5
Amperetall	mA 150	200
Ladetid, ca	h 24	24
Vekt	kg 0,2	0,2

	*A070015D	*A075020D
Modell	NV48	NV60
Spenning	V _{AC} 230	230
Utgangsspenning	V _{AC} 7	7,5
Amperetall	mA 150	200
Ladetid, ca	h 24	24
Vekt	kg 0,2	0,2

	*A090020D
Modell	NV72
Spenning	V _{AC} 230
Utgangsspenning	V _{AC} 9
Amperetall	mA 200
Ladetid, ca	h 24
Vekt	kg 0,2

Lydnivået, målt i henhold til EN 60704-1:

Lydtrykk (L_{pa}) < 70 dB(A), usikkerhet (K) 3 dB(A)

Europeiske union-patentsøknadsnummer:
000 540 745 & 000 540 752

Europeiske union-designsøknadsnummer:
000 541 230 & 000 540 752

DUSTBUSTER er et registrert varemerke for Black & Decker Corporation.

Reservdeler/Reparasjoner

Reservdeler kan kjøpes hos autoriserte Black & Decker serviceverksteder, som også gir kostnadsoverslag og reparerer våre produkter.

Oversikt over våre autoriserte serviceverksteder finnes på Internet, vår hjemmeside www.blackanddecker.no samt www.2helpU.com

Garanti

Black & Decker garanterer at produktet ikke har material- og/eller fabrikkasjonsfeil ved levering til kunde. Garantien er i tillegg til kundens lovlige rettigheter og påvirker ikke disse. Garantien gjelder innen medlemsstatene i den Europeiske Unionen og i det Europeiske Frihandelsområdet.

Hvis et Black & Decker produkt går i stykker på grunn av material- og/eller fabrikkasjonsfeil eller har mangler i forhold til spesifikasjonene, innen 24 måneder fra kjøpet, påtar Black & Decker seg å reparere eller bytte ut produktet med minst mulig vanskelighet for kunden.

Garantien gjelder ikke for feil som kommer av:

- ◆ normal slittasje
- ◆ feilaktig bruk eller vedlikehold (mislighold)
- ◆ at produktet har blitt skadet av fremmede gjenstander, emner eller ved et uhell

Det gjøres oppmerksom på at produktet ikke er beregnet på industriell/profesjonell/yrkesmessig bruk, men til hus- og hjemmebruk.

Garantien gjelder ikke om reparasjoner har blitt utført av noen andre enn et autorisert Black & Decker serviceverksted.

For å ta garantien i bruk skal produktet og kjøpekvittering leveres til forhandleren eller til et autorisert serviceverksted senest 2 måneder etter at feilen har blitt oppdaget. For informasjon om nærmeste autoriserte serviceverksted; kontakt det lokale Black & Decker kontoret på den adressen som er angitt i bruksanvisningen. En oversikt over alle autoriserte serviceverksteder samt servicevilkår finnes også tilgjengelig på Internet, adresse: www.2helpU.com

Vennligst stikk innom våre nettsider på www.blackanddecker.no for å registrere ditt nye Black & Decker-produkt og for å holde deg oppdatert om nye produkter og spesialtilbud. Du finner mer informasjon om Black & Decker og produktutvalget vårt på www.blackanddecker.no

Anvendelsesområde

Din Black & Decker Dustbuster® håndholdt støvsuger er designet til lette tørstøvsugningsformål. Produktet er kun beregnet til husholdningsbrug.

Sikkerhedsinstruktioner

- ◆ **Advarsel!** Ved brug af batteridrevne apparater skal de grundlæggende sikkerhedsforanstaltninger, herunder nedenstående, altid følges, således at risikoen for brand, lækkende batterier og person- og materialeskader begrænses.
- ◆ Læs denne brugsanvisning omhyggeligt igennem, inden apparatet tages i brug.
- ◆ Brugen, den er bestemt for, er beskrevet i denne brugsanvisning. Brugen tilhører eller tilkoblingsudstyr eller udførelsen af andre operationer med dette apparat, end dem, som er anbefalet i denne brugsvejledning, kan medføre risiko for personskader.
- ◆ Opbevar denne brugsanvisning til fremtidig brug.

Brug af apparatet

- ◆ Brug ikke apparatet til at optage væsker eller letantændelige materialer med.
- ◆ Brug ikke apparatet i nærheden af vand. Dyp ikke apparatet ned i vand.
- ◆ Træk aldrig i opladerens ledning for at tage stikket ud af kontakten. Ledningen skal holdes væk fra varme, olie og skarpe kanter.

Efter brug

- ◆ Tag opladeren ud af stikkontakten før rengøring.
- ◆ Når apparatet ikke er i brug, skal det opbevares et tørt sted. Børn må ikke have adgang til opbevarede apparater.

Eftersyn og reparationer

- ◆ Inden apparatet anvendes, skal det kontrolleres for beskadigede eller defekte dele. Kontroller for brud på delene, for skader på knapper og andet, der kan have indflydelse på apparatets funktion.
- ◆ Apparatet må ikke anvendes, hvis nogen dele er beskadigede eller defekte.

- ◆ Skadede eller defekte dele skal reparereres eller udskiftes af en autoriseret tekniker.
- ◆ Kontrollér jævnligt opladerens ledning for skader. Udskift opladeren, hvis ledningen er beskadiget eller defekt.
- ◆ Der må ikke gøres forsøg på at fjerne eller udskifte dele, som ikke er nævnt i denne håndbog.

Restrisici

Der kan opstå yderligere restrisici under brugen af værktøjet, som ikke kan medtages i vedlagte sikkerhedsadvarsler. Disse risici kan opstå pga. forkert anvendelse, langvarig brug etc.

Selv ved overholdelse af relevante sikkerhedsforskrifter og anvendelse af sikkerhedsudstyr kan visse restrisici ikke undgås. Disse omfatter:

- ◆ Tilskadecomst forårsaget af berøring af roterende/bevægelige dele.
- ◆ Tilskadecomst forårsaget af udskiftning af dele, blade eller tilbehør.
- ◆ Tilskadecomst forårsaget af langvarig brug af et værktøj. Husk at holde pause jævnligt ved brug af et værktøj i længere tid.
- ◆ Høreskader.
- ◆ Sundhedsrisici forårsaget af indånding af støv, der genereres ved brug af værktøjet (eksempel: arbejde med træ, især, eg, bøg og MDF).

Andres sikkerhed

- ◆ Dette apparat er ikke egnet for at brug af personer (inklusiv børn) med manglende fysiske, sensorielle eller mentale evner eller erfaring, med mindre de har modtaget undervisning eller instruktioner i brug af apparatet fra en person, som er ansvarlig for sikkerheden.
- ◆ Der skal være opsyn med børn for at sikre, at de ikke leger med apparatet.

Ekstra sikkerhedsinstruktioner for batterier og ladere

Batterier

- ◆ Man må aldrig forsøge at åbne et batteri.
- ◆ Udsæt det ikke for vand.

- ◆ Udsæt ikke batteriet for varme.
- ◆ Det må ikke opbevares i lokaler, hvor temperaturen overstiger 40 °C.
- ◆ Det må kun oplades ved omgivelsestemperaturer mellem 10 ° og 40 °C.
- ◆ Oplad kun med den vedlagte oplader.
- ◆ Ved kassering af batterier, skal man følge vejledningen i afsnittet "Beskyttelse af miljøet".
- ◆ Undgå at deformere eller beskadige batteriet ved punktering eller stød, da dette kan give risiko for kvæstelser eller brand.
- ◆ Oplad ikke et beskadiget batteri.
- ◆ Under ekstreme forhold kan der forekomme batteriutætheder. Hvis man opdager væske på batterierne, skal man gå frem på følgende måde:
 - ◆ Tør forsigtigt væsken af med en klud. Undgå kontakt med huden.
 - ◆ I tilfælde af at væsken kommer i kontakt med huden, skal man følge nedenstående vejledning.

Advarsel! Batterivæsken kan forårsage personskade eller materielle skader. Ved hudkontakt skal stedet omgående skylles med vand. Forekommer der udslet, smerte eller irritation, så søg læge. Ved øjenkontakt skylles straks med rent vand. Søg derefter læge.

Opladere

Din oplader er beregnet til en specifik netspænding. Før brug skal det kontrolleres, at netspændingen svarer til den, der er angivet på typeskiltet.

Advarsel! Forsøg aldrig at udskifte opladerenheden med et almindeligt netstik.

- ◆ Din Black & Decker lader må kun benyttes til Black & Decker batterier af samme slags som dem, der fulgte med værktøjet/maskinen. Andre batterier kan eksplodere og derved forårsage personskader og skader på ting.
- ◆ Man må aldrig forsøge at genoplade ikke-opladelige batterier.
- ◆ Hvis el-ledningen er skadet, skal den udskiftes af producenten eller et autoriseret Black & Decker servicecenter for at undgå ulykker.

- ◆ Udsæt ikke opladeren for vand.
- ◆ Opladeren må ikke åbnes.
- ◆ Opladeren må ikke manipuleres.
- ◆ Apparatet/værktøjet/batteriet skal placeres i et velventileret område ved opladning.

El-sikkerhed

Din oplader er beregnet til en specifik netspænding. Før brug skal det kontrolleres, at netspændingen svarer til den, der er angivet på typeskiltet. Forsøg aldrig at udskifte opladerenheden med et almindeligt netstik.

- ◆ Dette apparat er ikke egnet for at brug af personer (inklusiv børn) med manglende fysiske, sensorielle eller mentale evner eller erfaring, med mindre de har modtaget undervisning eller instruktioner i brug af apparatet fra en person, som er ansvarlig for sikkerheden.
- ◆ Der skal være opsyn med børn for at sikre, at de ikke leger med apparatet.

Symboler på opladeren.



Din oplader er dobbelt isoleret. Derfor er jordledning ikke nødvendig.



Fejlsikker isolerende transformer. Strømforsyningen er elektrisk adskilt fra transformerens udgang.



Opladeren afbrydes automatisk, hvis den omgivende temperatur bliver for høj. Som følge heraf kan opladeren ikke længere fungere. Denne enhed skal afbrydes fra strømforsyningen og bringes til reparation på autoriseret serviceværksted.



Opladeren er kun beregnet til indendørs brug.



Læs brugsanvisningen omhyggeligt igennem, inden apparatet tages i brug.

Advarsel! Hold elektriske apparater væk fra børn eller usikre personer. Lad dem ikke anvende apparater uden opsyn.

Funktioner

1. Afbryder
2. Støvbeholder

Fig. A

3. Sprækkemundstykke
4. Børstemundstykke

Udpakning

Identificere dit produkt.

Modellen kan bestemmes fra suffix koden anvendt i kataloget. De følgende katalog numre er beskrevet i denne manual: NV19XXYZ H2/NV24XXYZ H2/NV36XXYZ H2/NV48XXYZ H2/NV60XXYZ H2/NV72XXYZ H2

Suffix kode XX svare til følgende design:

00/99: Stanghåndtag, intet tilbehør medfølger.

03: Rundhåndtag, leveret med spalteværktøj og børste

Suffix koden Y anvendes til at identificere viften af farve, tryk og speciale muligheder. Suffix kode Z vist med bogstavet N, som anvendes for modeller med et NiMH batteri.

Installation

NV24XXYZ/NV36XXYZ/NV48XXYZ/ NV60XXYZ/NV72XXYZ - Monter opladeren på væggen (fig. B1 & B2)
Opladervægholderen kan monteres på et arbejdsbord eller på væggen og er derved et praktisk opbevarings- og opladningssted for apparatet.

Montering

Montering af tilbehøret (fig. A & C)

Dette apparat er udstyret, afhængigt af modellen, med følgende tilbehør:

- ◆ et spalteværktøj (3) til fine mellemrum

- ◆ Et børsteværktøj (4) til møbler og trapper

Gør følgende for at montere en tilbehørsdel:

- ◆ Tag det aktuelle tilbehør af apparatet.
- ◆ Påsæt det ønskede tilbehør foran på apparatet.

Du kan opbevare det andet tilbehør ved at klikke det på tilbehørsholderen.

Montering af begge tilbehørsdele:

- ◆ Tryk tilbehørsdelene ned, til de klikker på plads.

Brug

- ◆ Apparatet kan oplades, mens det er placeret på et arbejdsbord eller ophængt på væggen ved hjælp af den medfølgende vægkrog.
- ◆ Før første ibrugtagning skal batteriet oplades i mindst 24 timer.
- ◆ Lad apparatet være tilsluttet opladeren, når det ikke er i brug.

Skift at batteri (fig. B1 - B3)

NV24XXYZ/NV36XXYZ/NV48XXYZ/ NV60XXYZ/NV72XXYZ (fig. B1 & B2)

- ◆ Sørg for, at apparatet er slukket. Batteriet vil ikke blive opladet, hvis støvsugeren er tændt.
- ◆ Monter apparatet rigtigt på opladeren i samme retning som pilen på opladeren med splitten på apparatet.
- ◆ Forbind opladeren til stikkontakten.
- ◆ Tænd for kontakten.
- ◆ Oplad apparatet i mindst 24 timer.

NV19XXY (fig. B3)

- ◆ Sørg for, at apparatet er slukket. Batteriet vil ikke blive opladet, hvis støvsugeren er tændt.
- ◆ Sæt opladerstikket (6) i opladerkontakt (7) på bagsiden af apparatet.
- ◆ Sæt opladeren (5) i stikkontakten.
- ◆ Tænd for kontakten.
- ◆ Oplad apparatet i mindst 24 timer.

Bemærk: Under opladningen kan opladeren blive varm. Det er normalt og er ikke noget problem. Apparatet kan være tilsluttet opladeren på ubestemt tid.

Advarsel! Sæt ikke batteriet til opladning ved omgivende temperaturer under 10 °C eller over 40 °C.

Start og stop (fig. D)

- ◆ Tænd værktøjet ved at skyde afbryderen (1) fremad.
- ◆ Sluk apparatet ved at skyde afbryderen tilbage.

Rengøring og vedligeholdelse

Advarsel! Rens regelmæssigt filtrene.

Rengøring af støvbeholderen og filtrene (fig. E & F)

Filtrene kan bruges igen og bør renses jævnligt.

- ◆ Fjern støvbeholderen (2) ved at dreje mod uret.
- ◆ Tøm støvbeholderen.
- ◆ Fjern filterholderen (8) ved at dreje det mod uret.
- ◆ Vask filtrene i varmt sæbevand. Beholderen kan også vaskes, hvis det er nødvendigt. Dyp ikke apparatet ned i vand.
- ◆ Sørg for, at støvbeholderen og filtrene tørrer helt.
- ◆ Monter filterholderen (8) på apparatet, ved at deje med uret indtil den låser fast.
- ◆ Sæt støvbeholderen ind i apparatet igen. Sørg for, at støvbeholderen klikker på plads.

Advarsel! Benyt aldrig apparatet uden filtrene. Der kan kun opnås optimal støvsopsamling med rene filtre og en tom støvbeholder.

Udskiftning af filtrene

Filtrene skal udskiftes hver sjette til niende måned, samt hvis de er slidte eller beskadigede. Udskiftningsfiltre fås hos din Black & Decker-forhandler (katalognummer: VF60).

- ◆ Fjern de gamle filtre som beskrevet ovenfor.
- ◆ Sæt de nye filtre i som beskrevet ovenfor.

Beskyttelse af miljøet



Separat indsamling.
Dette produkt må ikke bortskaffes sammen med almindeligt husholdningsaffald.

Hvis du en dag skal udskifte dit Black & Decker produkt, eller hvis du ikke skal bruge det længere, må du ikke bortskaffe det sammen med husholdningsaffald. Dette produkt skal være tilgængeligt for separat indsamling.



Separat indsamling af brugte produkter og emballage gør det muligt at genbruge materialer. Genbrugte materialer forebygger miljøforurening og nedbringer behovet for råstoffer.

Lokale regler kan give mulighed for separat indsamling af elektriske husholdningsprodukter på kommunale lossepladser eller hos den forhandler, som du købte produktet af.

Black & Decker har en facilitet til indsamling og genbrug af Black & Decker-produkter, når deres levetid er slut. Få fordelene ved denne service ved at returnere produktet til en autoriseret tekniker, der samler værktøj sammen på vores vegne.

Du kan få oplyst den nærmeste autoriserede tekniker ved at kontakte det lokale Black & Decker-kontor på den adresse, der er angivet i denne brugsanvisning. Alternativt findes der en liste over autoriserede Black & Decker-teknikere og oplysninger om vores eftersalgsservice og kontaktpersoner på Internettet på adressen: www.2helpU.com

Batteri (fig. G)



Når produktet bortskaffes, skal batteriet tages ud som beskrevet herunder og bortskaffes i overensstemmelse med gældende miljøbestemmelser.

Hvis du selv ønsker at bortskaffe produktet, skal batteriet afmonteres som beskrevet herunder og bortskaffes i overensstemmelse med gældende miljøbestemmelser.

Advarsel! Afbryd strømforsyningen til apparatet, før batteriet fjernes.

- ◆ Afblod batteriet ved at arbejde med apparatet indtil motoren stopper.
- ◆ Tag det aktuelle tilbehør af apparatet.
- ◆ Fjern skruerne (9).
- ◆ Åben apparatet
- ◆ Fjern batteriet og den monterede motor og skift modul (10).
- ◆ Anvend en skruetrækker til at frigøre batteriet fra motoren og skift modul.
- ◆ Læg batteriet i en dertil egnet emballage for at undgå, at polerne kortsluttes.
- ◆ Bring batteriet til din forhandler eller en lokal genbrugscentral.

Advarsel! Når batteriet er taget ud, kan det ikke monteres igen.

Tekniske data

	NV19XXYZ H2	NV24XXYZ H2
Spænding	V 2,4	2,4
Batteritype	NiCd/NiMH	NiCd/NiMH
Vægt	kg 0,65	0,65

	NV36XXYZ H2	NV48XXYZ H2
Spænding	V 3,6	4,8
Batteritype	NiCd/NiMH	NiCd/NiMH
Vægt	kg 0,7	0,85

	NV60XXYZ H2	NV72XXYZ H2
Spænding	V 6,0	7,2
Batteritype	NiCd/NiMH	NiCd/NiMH
Vægt	kg 0,9	0,95

Lader

	*A035015D	*A050020D
Model	NV19/NV24	NV36
Spænding	V _{AC} 230	230
Udgangsspænding	V _{AC} 3,5	5
Amperetal	mA 150	200
Opladningstid (ca.) h	24	24
Vægt	kg 0,2	0,2

	*A070015D	*A075020D
Model	NV48	NV60
Spænding	V _{AC} 230	230
Udgangsspænding	V _{AC} 7	7,5
Amperetal	mA 150	200
Opladningstid (ca.) h	24	24
Vægt	kg 0,2	0,2

	*A090020D
Model	NV72
Spænding	V _{AC} 230
Udgangsspænding	V _{AC} 9
Amperetal	mA 200
Opladningstid (ca.) h	24
Vægt	kg 0,2

Lydniveau i henhold til EN 60704-1:

Lydtryk (L_{pa}) < 70 dB(A), usikkerhed (K) 3 dB(A)

Europæiske Union-patentanvendelsesnummer:
000 540 745 & 000 540 752

Europæiske Union-designanvendelsesnummer:
000 541 230 & 000 540 752

DUSTBUSTER er et registreret trademark fra Black & Decker Corporation.

Reserve dele/Reparationer

Reserve dele kan købes hos autoriserede Black & Decker serviceværksteder, som giver forslag til omkostninger og reparerer vore produkter. Oversigt over vore autoriserede værksteder findes på internettet på vor hjemmeside www.blackanddecker.dk samt www.2helpU.com

Garanti

Black & Decker garanterer, at produktet er fri for materielle skader og/eller fabrikationsfejl ved levering til kunden. Garantien er et tillæg til konsumentens lovlige rettigheder og påvirker ikke disse. Garantien gælder indenfor medlemsstaterne af den Europæiske Union og i det Europæiske Frihandelsområde.

Hvis et Black & Decker produkt går i stykker på grund af materiel skade og/eller fabrikationsfejl eller på anden måde ikke fungerer i overensstemmelse med specifikationen, inden for 24 måneder fra købsdatoen, påtager Black & Decker sig at reparere eller ombytte produktet med mindst muligt besvær for kunden.

Garantien gælder ikke for fejl og mangler, der er sket i forbindelse med:

- ◆ normal slitage
- ◆ uheldige følger efter unormal anvendelse af værktøjet
- ◆ overbelastning, hærværk eller overdrevent intensivt brug af værktøjet
- ◆ ulykkeshændelse

Garantien gælder ikke hvis reparationer er udført af nogen anden end et autoriseret Black & Decker værksted.

For at udnytte garantien skal produktet og købskvitteringen indleveres til forhandleren eller til et autoriseret værksted, senest 2 måneder efter at fejlen opdages. For information om nærmeste autoriserede værksted: kontakt det lokale Black & Decker kontor på den adresse som er opgivet i brugsanvisningen. Liste over alle autoriserede Black & Decker serviceværksteder samt servicevilkår er tilgængelig på internettet, på adressen **www.2helpU.com**

Gå venligst ind på vores website **www.blackanddecker.dk** for at registrere dit nye produkt og for at blive holdt ajour om nye produkter og specialtilbud. Der findes yderligere oplysninger om mærket Black & Decker og vores produktsortiment på adressen **www.blackanddecker.dk**

Käyttötarkoitus

Black & Deckerin Dustbuster® on kädessä pidettävä imuri, joka on suunniteltu kevyeen imurointiin. Tuote on tarkoitettu ainoastaan kotikäyttöön.

Turvaohjeet

- ◆ **Varoitus!** Akkukäyttöisiä laitteita käytettäessä on aina noudatettava mm. seuraavia turvallisuusohjeita, jotta tulipalojen, akkuvuotojen, henkilövahinkojen ja materiaalivaurioiden riski olisi mahdollisimman pieni.
- ◆ Lue käyttöohje huolellisesti ennen laitteen käyttöönottoa.
- ◆ Koneen käyttötarkoitus kuvataan tässä käyttöohjeessa. Käytä laitetta ainoastaan sen käyttötarkoitukseen, ja käytä vain tässä käyttöohjeessa suositeltuja lisävarusteita ja lisälaitteita. Ohjeesta poikkeava käyttö voi aiheuttaa henkilövahinkovaaran.
- ◆ Säilytä käyttöohje tulevaa tarvetta varten.

Laitteen käyttö

- ◆ Älä käytä laitetta nesteiden imuroimiseen. Älä imuroi materiaaleja, jotka saattavat syttyä palamaan.
- ◆ Älä käytä laitetta veden lähellä. Älä upota laitetta veteen.
- ◆ Älä koskaan irrota laturia virtalähteestä vetämällä laturin johdosta. Suojaa laturi kuumuudelta, öljyltä ja teräviltä reunoilta.

Käytön jälkeen

- ◆ Irrota laturi virtalähteestä ennen puhdistamista.
- ◆ Säilytä laitetta kuivassa paikassa, kun se ei ole käytössä. Varmista, että lapset eivät pääse käsiksi laitteisiin.

Tarkastus ja korjaukset

- ◆ Tarkista ennen käyttöä, ettei laitteessa ole vaurioita tai viallisia osia. Tarkista, ettei laitteessa ole rikkiinäisiä osia, vaurioituneita kytkimiä tai muita seikkoja, jotka saattavat vaikuttaa sen toimintaan.

- ◆ Älä käytä laitetta, jos jokin sen osista on viallinen.
- ◆ Viallinen osa tulee korjata tai vaihtaa valtuutetussa huoltoliikkeessä.
- ◆ Tarkista laturin johto säännöllisesti vaurioiden varalta. Vaihda laturi, jos sen johto on vaurioitunut tai viallinen.
- ◆ Älä koskaan yritä irrottaa tai vaihtaa sellaisia osia, joista ei ole mainintaa tässä oppaassa.

Jäännösriskit

Jäännösriskit ovat mahdollisia, jos käytät työkalua muulla kuin turvavaroituksissa mainitulla tavalla. Nämä riskit voivat liittyä muun muassa virheelliseen tai pitkäaikaiseen käyttöön.

Tiettyjä jäännösriskejä ei voi välttää, vaikka noudatat kaikkia turvamääräyksiä ja käytät turvalaitteita. Näihin kuuluvat muun muassa:

- ◆ Pyörienvien tai liikkuvien osien koskettamisen aiheuttamat vahingot.
- ◆ Osia, teriä tai lisävarusteita vaihdettaessa aiheutuneet vahingot.
- ◆ Työkalun pitkäaikaisen käytön aiheuttamat vahingot. Kun käytät työkalua pitkään, varmista, että pidät säännöllisesti taukoja.
- ◆ Kuulon heikentyminen.
- ◆ Työkalua käytettäessä (esimerkiksi puuta, erityisesti tammaa, pyökkiä ja MDF-levyjä, käsiteltäessä) syntyneen pölyn sisäänhengityksen aiheuttamat terveysriskit.

Muiden turvallisuus

- ◆ Henkilöt (lapset mukaan lukien), joilla on fyysisiä, tunnollisia tai henkisiä rajoituksia tai rajallinen kokemus ja tuntemus, eivät saa käyttää tätä laitetta ellei heidän turvallisuudesta vastaava henkilö valvo tai ohjaa heitä laitteen käytössä.
- ◆ Lapsia on valvottava, etteivät he leiki koneen kanssa.

Lisäturvaohjeet akuille ja latureille

Akut

- ◆ Älä koskaan yritä avata akkua.
- ◆ Älä altista akkua vedelle.
- ◆ Älä altista akkua kuumuudelle.
- ◆ Älä säilytä akkua paikassa, jonka lämpötila saattaa ylittää 40 °C.
- ◆ Lataa akku ainoastaan lämpötilan ollessa välillä 10 °C ja 40 °C.
- ◆ Lataa akku käyttäen ainoastaan laitteen/työkalun mukana toimitettua laturia.
- ◆ Kun poistat akun käytöstä, noudata kappaleessa "Ympäristö" annettuja ohjeita.
- ◆ Älä vaurioita tai muunna akkua pistoin tai iskuin, sillä tällöin on olemassa onnettomuus- ja tulipalovaara.
- ◆ Älä lataa vaurioituneita akkuja.
- ◆ Ääriolosuhteissa akut saattavat vuotaa. Kun havaitset paristosta tulevan nestettä, toimi seuraavasti:
- ◆ Kuivaa neste varovasti pois siivousliinalla. Vältä nesteen joutuminen iholle.
- ◆ Mikäli nestettä osuu iholle tai silmiin, noudata alla olevia ohjeita.

Varoitus! Akkuneste voi aiheuttaa henkilö- tai omaisuusvahinkoja. Jos akkunestettä pääsee iholle, huuho se välittömästi vedellä. Jos iho punoittaa tai jos iholla esiintyy kipua tai ärsytystä, käänny lääkärin puoleen. Mikäli nestettä pääsee silmiin, huuhtelee silmät välittömästi puhtaalla vedellä ja käänny lääkärin puoleen.

Laturit

Laturi on suunniteltu tietyille jännitteelle. Tarkista aina ennen laitteen käyttöä, että verkkojännite vastaa arvokilvessä ilmoitettua jännitettä.

Varoitus! Älä koskaan yritä vaihtaa laturia normaaliin verkkovirtapistokkeeseen.

- ◆ Käytä Black & Decker -laturia ainoastaan laitteen mukana toimitetun akun lataamiseen. Muunlaiset akut saattavat räjähtää aiheuttaen henkilö- ja omaisuusvahinkoja.

- ◆ Älä koskaan yritä ladata ei-ladattavia akkuja.
- ◆ Jos sähköjohto on vaurioitunut, se saadaan vaihtaa vain valtuutetussa Black & Deckerin huoltoliikkeessä vaaratilanteiden välttämiseksi.
- ◆ Älä altista laturia vedelle.
- ◆ Älä avaa laturia.
- ◆ Älä vahingoita laturia.
- ◆ Laite/työkalu/akku tulee asettaa hyvin tuuletettuun tilaan latauksen ajaksi.

Sähköturvallisuus

Laturi on suunniteltu tietyille jännitteelle.

Tarkista aina ennen laitteen käyttöä, että verkkojännite vastaa arvokilvessä ilmoitettua jännitettä. Älä koskaan yritä vaihtaa laturia normaaliin verkkovirtapistokkeeseen.

- ◆ Henkilöt (lapsen mukaan lukien), joilla on fyysisiä, tunnollisia tai henkisiä rajoituksia tai rajallinen kokemus ja tuntemus, eivät saa käyttää tätä laitetta ellei heidän turvallisuudesta vastaava henkilö valvo tai ohjaa heitä laitteen käytössä.
- ◆ Lapsia on valvottava, etteivät he leiki koneen kanssa.

Laturin symbolit



Laturi on kaksoiseristetty; siksi erillistä maadoitusta ei tarvita.



Erotusmuuntaja on vian sattuessa turvallinen.

Virtalähde on sähköisesti erillään muuntajan ulostulosta.



Kun ympäristön lämpötila kohoaa liian korkeaksi, laturi kytkeytyy automaattisesti pois päältä. Tällöin laturi ei toimi. Laite on irrotettava verkkovirrasta ja vietävä valtuutettuun huoltokeskukseen korjattavaksi.



Laturi on tarkoitettu vain sisäkäyttöön.



Lue käyttöohje huolellisesti ennen laitteen käyttöönottoa.

Varoitus! Pidä sähkölaitteet lasten ja vaivaisten henkilöiden ulottumattomissa. Älä anna heidän käyttää laitteita ilman valvontaa.

Ominaisuudet

1. Virrankatkaisija
2. Pölynkeräysastia

Kuva A

3. Rakosuulake
4. Harja

Pakkauksesta poisto

Laitteen tunnistus

Mallin ulkomuoto voidaan määrittää kirjainpäätteistä, joita käytetään luettelonumerossa. Seuraavat luettelonumerot ovat tässä oppaassa: NV19XXYZ H2/NV24XXYZ H2/ NV36XXYZ H2/NV48XXYZ H2/ NV60XXYZ H2/NV72XXYZ H2

Kirjainpäätte XX vastaa seuraavia malleja:

00/99: tangon kahva, ilman lisävarusteita

03: silmukkakahva, toimitetaan rakosuulakkeen ja harjan kanssa

Kirjainpäätettä Y käytetään eri väri-, tuloste- tai erikoisvalintojen tunnistamiseen. Kirjainpäätettä Z, jota esittää kirjain N, käytetään malleissa, joissa on NiMH-akku.

Asentaminen

NV24XXYZ/NV36XXYZ/NV48XXYZ/ NV60XXYZ/NV72XXYZ -

Lataustelineen kiinnittäminen seinään (kuva B1 & B2)

Latausteline voidaan kiinnittää työtasolle tai seinään, jolloin se toimii laitteen sekä säilytys- että latauspaikkana.

Kokoaminen

Lisävarusteiden asennus (kuva A & C)

Tämä laite toimitetaan seuraavien varusteiden kanssa mallista riipuen:

- ◆ rakosuulake (3) ahtaita paikkoja varten
- ◆ harja (4) kalusteita ja portaita varten

Kiinnitä lisävaruste seuraavasti:

- ◆ Ota lisävarusteet ulos laitteesta.
- ◆ Aseta tarvitsemasi lisävaruste laitteen etuosaan.

Voit asentaa toisen lisävarusteen napsauttamalla sen kiinni lisävarusteen pidikkeeseen.

Molempien lisävarusteiden kiinnittäminen:

- ◆ Paina lisävarusteita alaspäin, kunnes ne napsahtavat paikalleen.

Käyttö

- ◆ Laite voidaan ladata joko työtasolla tai seinälle ripustettuna käyttämällä mukana toimitettua seinäkoukkaa.
- ◆ Akkua täytyy ladata vähintään 24 tuntia ennen ensimmäistä käyttökertaa.
- ◆ Kytke laite aina laturiin, kun sitä ei käytetä.

Akun lataaminen (kuva B1 - B3)

NV24XXYZ/NV36XXYZ/NV48XXYZ/ NV60XXYZ/NV72XXYZ (kuva B1 & B2)

- ◆ Varmista, että laite on pois päältä. Akku ei lataudu, jos virrankatkaisin on päällä-asennossa.
- ◆ Aseta laite kunnolla laturiin kohdistamalla laturissa oleva nuoli laitteessa olevaan rako.
- ◆ Kytke laturi virtalähteeseen.
- ◆ Kytke se päälle.
- ◆ Anna laitteen latautua vähintään 24 tuntia.

NV19XXY (kuva B3)

- ◆ Varmista, että laite on pois päältä. Akku ei lataudu, jos virrankatkaisin on päällä-asennossa.
- ◆ Liitä laturin pistoke (6) liittimeen (7), joka on laitteen takana.
- ◆ Liitä laturi (5) virtalähteeseen.

- ◆ Kytke se päälle.
- ◆ Anna laitteen latautua vähintään 24 tuntia.

Huomautus: Laturi saattaa lämmitä latauksen aikana. Tämä on täysin normaalia eikä ole merkinä ongelmasta. Laitte voi olla kytkettynä laturiin kuinka kauan tahansa.

Varoitus! Älä lataa akkua alle 10 °C:n tai yli 40 °C:n lämpötiloissa.

Käynnistys ja pysäytys (kuva D)

- ◆ Käynnistä laite työntämällä virrankatkaisinta (1) eteenpäin.
- ◆ Sammuta laite työntämällä virrankatkaisinta taaksepäin.

Puhdistus ja huolto

Varoitus! Puhdista suodattimet säännöllisesti.

Pölynkeräysastian ja suodattimien puhdistaminen (kuva E & F)

Suodattimia voidaan käyttää kerta toisensa jälkeen; siksi ne on puhdistettava säännöllisesti.

- ◆ Irrota pölynkeräysastia (2) kääntämällä sitä vastapäivään.
- ◆ Tyhjennä pölynkeräysastia.
- ◆ Irrota suodatinyksikkö (8) kiertämällä sitä vastapäivään.
- ◆ Pese suodattimet lämpimässä saippuavedessä. Myös pölynkeräysastia voidaan tarvittaessa pestä. Älä upota laitetta veteen.
- ◆ Varmista, että pölynkeräysastia ja suodattimet ovat kuivia.
- ◆ Asenna suodatinyksikkö (8) takaisin laitteeseen kiertämällä sitä myötäpäivään, kunnes se lukittuu paikalleen.
- ◆ Asenna pölynkeräysastia takaisin laitteeseen. Varmista, että se napsahtaa kiinni paikalleen.

Varoitus! Älä koskaan käytä laitetta ilman suodattimia. Paras imurointituloks saadaan ainoastaan silloin, kun suodattimet ovat kuivia ja pölynkeräysastia on tyhjä.

Suodattimien vaihtaminen

Suodattimet tulee vaihtaa 6-9 kuukauden välein tai jos ne ovat kuluneet tai vaurioituneet. Uusia suodattimia myyvät Black & Decker -tuotteiden jälleenmyyjät (luettelonumero: VF60).

- ◆ Poista suodattimet yllä kuvatulla tavalla.
- ◆ Asenna uudet suodattimet yllä kuvatulla tavalla.

Ympäristön suojele



Erillinen keräys. Tätä tuotetta ei saa hävittää normaalin kotitalousjätteen kanssa.

Kun Black & Decker -koneesi on käytetty loppuun, älä hävitä sitä kotitalousjätteen mukana. Tämä tuote on kerättävä erikseen.



Käytettyjen tuotteiden ja pakkausten erillinen keräys mahdollistaa materiaalien kierrätyksen ja uudelleenkäytön. Kierrätettyjen materiaalien uudelleenkäyttö auttaa ehkäisemään ympäristön saastumisen ja vähentää raaka-aineiden kysyntää.

Paikallisten säännösten mukaisesti on mahdollista viedä kotitalouksien sähkölaitteet kuntien kaatopaikoille tai jättää ne vähittäismyyjälle ostettaessa uusi tuote.

Black & Decker tarjoaa mahdollisuuden Black & Decker -tuotteiden keräykseen ja kierrätykseen sen jälkeen, kun ne on poistettu käytöstä. Jotta voisit hyötyä tästä palvelusta, palauta laitteesi johonkin valtuutettuun huoltoliikkeeseen, joka kerää laitteet meidän puolestamme.

Voit tarkistaa lähimmän valtuutetun huoltoliikkeen sijainnin ottamalla yhteyden Black & Deckerin toimistoon, joka sijaitsee tässä käsikirjassa annettussa osoitteessa. Lista valtuutetuista Black & Decker -huoltoliikkeistä sekä yksityiskohtaiset tiedot korjauspalvelustamme ovat vaihtoehtoisesti saatavilla Internetissä, osoitteessa www.2helpU.com

Akku (kuva G)



Kun hävität tuotteen, akku on poistettava alla kuvatulla tavalla ja hävitettävä paikallisten ohjeiden mukaisesti.

Vie loppuunkäytetyt akut niille tarkoitettuun keräyspaikkaan tai -astiaan. Ne on hävitettävä paikallisten lakien mukaisesti.

Varoitus! Kytke laite irti pistorasiasta ennen akun poistamista.

- ◆ Tyhjennä akku käyttämällä laitetta, kunnes moottori pysähtyy.
- ◆ Ota lisävarusteet ulos laitteesta.
- ◆ Irrota ruuvit (9).
- ◆ Avaa laite.
- ◆ Irrota akku sekä kiinnitetty moottori ja kytkentämoduuli (10).
- ◆ Irrota akku ruuvimeisselin avulla moottorista ja kytkentämoduulista.
- ◆ Laita akku sopivaan pakkaukseen siten, etteivät navat pääse oikosulkuun.
- ◆ Voit viedä akut niille tarkoitettuun keräysastiaan tai paikalliseen kierrätyskeskukseen.

Varoitus! Kun akku on irrotettu, sitä ei voi enää laittaa takaisin.

Tekniset tiedot

	NV19XXYZ H2	NV24XXYZ H2
Jännite	V 2,4	2,4
Akun tyyppi	NiCd/NiMH	NiCd/NiMH
Paino	kg 0,65	0,65

	NV36XXYZ H2	NV48XXYZ H2
Jännite	V 3,6	4,8
Akun tyyppi	NiCd/NiMH	NiCd/NiMH
Paino	kg 0,7	0,85

	NV60XXYZ H2	NV72XXYZ H2
Jännite	V 6,0	7,2
Akun tyyppi	NiCd/NiMH	NiCd/NiMH
Paino	kg 0,9	0,95

Laturi

	*A035015D	*A050020D
Malli	NV19/NV24	NV36
Jännite	V _{AC} 230	230
Lähtöjännite	V _{AC} 3,5	5
Ampeeriluku	mA 150	200
Latausaika (noin) h	24	24
Paino	kg 0,2	0,2

	*A070015D	*A075020D
Malli	NV48	NV60
Jännite	V _{AC} 230	230
Lähtöjännite	V _{AC} 7	7,5
Ampeeriluku	mA 150	200
Latausaika (noin) h	24	24
Paino	kg 0,2	0,2

	*A090020D
Malli	NV72
Jännite	V _{AC} 230
Lähtöjännite	V _{AC} 9
Ampeeriluku	mA 200
Latausaika (noin) h	24
Paino	kg 0,2

Äänenpainetaso mitattu EN 60704-1:n mukaisesti:

Äänenpaine (L_{pa}) < 70 dB(A), epävarmuus (K) 3 dB(A)

Euroopan unioni-patenttihakemusnumero:
000 540 745 & 000 540 752

Euroopan unioni-mallisuojahakemusnumero:
000 541 230 & 000 540 752

DUSTBUSTER on Black & Decker Corporationin rekisteröity tavaramerkki.

Korjaukset/Varaosat

Mikäli koneeseen tulee vikaa, jätä se aina Black & Deckerin valtuuttamaan huoltoliikkeeseen korjattavaksi. Varaosia myyvät valtuutetut Black & Deckerin huoltoliikkeet, ja heiltä voi myös pyytää kustannusarvion koneen korjauksesta.

Tiedot valtuutetuista huoltoliikkeistä löytyvät internetistä osoitteesta www.2helpU.com sekä kotisivuiltamme www.blackanddecker.fi

Takuu

Black & Decker Oy takaa, ettei koneessa ollut materiaali- ja/tai valmistusvikaa silloin, kun se toimitettiin ostajalle. Takuu on lisäksi kuluttajan laillisiin oikeuksiin eikä vaikuta niihin. Takuu on voimassa Euroopan Unionin jäsenmaissa ja Euroopan vapaakauppa-alueella (EFTA).

Mikäli Black & Decker -kone hajoaa materiaali- ja/tai valmistusvirheen tai teknisten tietojen epätarkkuuden vuoksi 24 kk:n kuluessa ostopäivästä, Black & Decker korjaa koneen ilman kustannuksia ostajalle tai vaihtaa sen uuteen Black & Decker Oy:n valinnan mukaan.

Takuu ei kata vikoja, jotka johtuvat koneen

- ◆ normaalista kulumisesta
- ◆ ylikuormituksesta, virheellisestä käytöstä tai hoidosta
- ◆ vahingoittamisesta vieraalla esineellä tai aineella tai onnettomuustapauksessa

Takuu ei ole voimassa, mikäli konetta on korjannut joku muu kuin Black & Deckerin valtuuttama huoltoliike.

Edellytyksenä takuun saamiselle on, että ostaja jättää koneen ja ostokuitin jälleenmyyjälle tai valtuutetulle huoltoliikkeelle viimeistään 2 kuukauden kuluessa vian ilmenemisestä. Tiedot valtuutetuista huoltoliikkeistä saa ottamalla yhteyttä Black & Decker Oy:hyn sekä internetistä osoitteesta **www.2helpU.com**, jossa on myös takuehdot.

Voit vieraila verkkosivullamme **www.blackanddecker.fi** rekisteröidäksesi uuden Black & Decker -tuotteesi ja saadaksesi tietoa uusista tuotteista ja erikoistarjouksista. Saat lisätietoja Black & Deckerin tavaramerkistä ja tuotevalikoimastamme osoitteesta **www.blackanddecker.fi**

Ενδεδειγμένη χρήση

Το δικό σας σκουπάκι Dustbuster® της Black & Decker έχει σχεδιαστεί για ελαφρές εργασίες ξηρού σκουπίσματος. Αυτό το προϊόν προορίζεται για οικιακή χρήση μόνο.

Οδηγίες ασφαλείας

- ◆ **Προειδοποίηση!** Κατά τη χρήση επαναφορτιζόμενων συσκευών, θα πρέπει πάντα να λαμβάνονται οι βασικές προφυλάξεις ασφαλείας, για τον περιορισμό του κινδύνου πυρκαγιάς, διαρροής υγρού από μπαταρίες, σωματικών βλαβών και υλικών ζημιών.
- ◆ Πριν χρησιμοποιήσετε τη συσκευή διαβάστε προσεκτικά ολόκληρο το εγχειρίδιο.
- ◆ Η ενδεδειγμένη χρήση περιγράφεται σε αυτό το εγχειρίδιο. Η χρήση οποιοδήποτε αξεσουάρ ή προσθήκης, ή η απόδοση οποιασδήποτε λειτουργίας με αυτή τη συσκευή, εκτός αυτών που προτείνονται σε αυτό το εγχειρίδιο οδηγίων, εγκυμονεί κίνδυνο τραυματισμού.
- ◆ Φυλάξτε το εγχειρίδιο αυτό για να μπορείτε να ανατρέξετε σε αυτό στο μέλλον.

Χρήση της συσκευής σας

- ◆ Μη χρησιμοποιήσετε τη συσκευή για τη συλλογή υγρών ή άλλων εύφλεκτων υλικών.
- ◆ Μη χρησιμοποιείτε τη συσκευή κοντά σε νερό. Μη βυθίζετε τη συσκευή σε νερό.
- ◆ Ποτέ μην αποσυνδέετε το φορτιστή από την πρίζα τραβώντας το καλώδιό του. Φροντίστε το καλώδιο να παραμένει μακριά από τη θερμότητα, τα λάδια και από αιχμηρές ακμές.

Μετά τη χρήση

- ◆ Βγάλτε τον φορτιστή από την πρίζα πριν τον καθαρίσετε.
- ◆ Όταν δεν χρησιμοποιείται, η συσκευή θα πρέπει να αποθηκεύεται σε ξηρό χώρο. Τα παιδιά δεν πρέπει να έχουν πρόσβαση στις αποθηκευμένες συσκευές.

Έλεγχο και επισκευές

- ◆ Πριν τη χρήση, ελέγξτε τη συσκευή για τυχόν φθαρμένα ή ελαττωματικά εξαρτήματα. Ελέγξτε για εξαρτήματα που πιθανόν να έχουν σπάσει, για διακόπτες που πιθανόν να έχουν πάθει ζημιά και γενικά κάθε είδους συνθήκες που θα μπορούσαν ενδεχομένως να επηρεάσουν τη λειτουργία της συσκευής.
- ◆ Μη χρησιμοποιείτε τη συσκευή εάν κάποιιο εξάρτημά της έχει πάθει ζημιά ή παρουσιάζει ελάττωμα.
- ◆ Ζητήστε από εξουσιοδοτημένο συνεργείο σέρβις την επισκευή ή την αντικατάσταση όλων των φθαρμένων ή ελαττωματικών εξαρτημάτων.
- ◆ Να ελέγχετε τακτικά το καλώδιο του φορτιστή για φθορές. Αντικαταστήστε το φορτιστή εάν το καλώδιο είναι φθαρμένο ή ελαττωματικό.
- ◆ Μην επιχειρήσετε ποτέ να αφαιρέσετε ή να αντικαταστήσετε εξαρτήματα εκτός αυτών που προσδιορίζονται σε αυτό το εγχειρίδιο.

Αναπόφευκτοι κίνδυνοι

Μπορεί να προκληθούν επιπρόσθετοι αναπόφευκτοι κίνδυνοι όταν χρησιμοποιείτε το εργαλείο οι οποίοι μπορεί να μη συμπεριλαμβάνονται στις προειδοποιήσεις ασφαλείας που εσωκλείονται. Αυτοί οι κίνδυνοι μπορεί να προκληθούν από κακή χρήση, παρατεταμένη χρήση, κτλ.

Ακόμα και με την τήρηση των σχετικών κανονισμών ασφαλείας και τη χρήση μέσων προστασίας, ορισμένοι κίνδυνοι δεν είναι δυνατό να εξαλειφθούν. Αυτοί περιλαμβάνουν:

- ◆ Τραυματισμούς από το άγγιγμα των περιστρεφόμενων/κινούμενων μερών.
- ◆ Τραυματισμούς από αλλαγή οποιωνδήποτε εξαρτημάτων, λεπίδων ή αξεσουάρ.
- ◆ Τραυματισμούς από παρατεταμένη χρήση του εργαλείου. Όταν χρησιμοποιείτε οποιοδήποτε εργαλείο για παρατεταμένες χρονικές περιόδους βεβαιωθείτε ότι κάνετε τακτικά διαλείμματα.

- ◆ Προβλήματα ακοής.
- ◆ Κίνδυνοι στην υγεία που προκαλούνται από την εισπνοή σκόνης όταν χρησιμοποιείτε το εργαλείο (παραδείγματα: όταν επεξεργάζεστε ξύλο, ειδικά δρυς, οξιά και MDF).

Ασφάλεια άλλων

- ◆ Αυτή η συσκευή δεν προσδιορίζεται για χρήση από άτομα (συμπεριλαμβάνοντας και τα παιδιά) με ελαττωμένες φυσικές, αισθητήριες και ψυχικές δυνατότητες, ή έλλειψη εμπειρίας και γνώσης, εκτός αν υπάρχει επιτήρηση ή οδηγίες για τη χρήση της συσκευής από έναν υπεύθυνο άτομο για την ασφάλεια τους.
- ◆ Τα παιδιά πρέπει να επιτηρηθούν για να βεβαιωθείτε ότι δεν παίζουν με τη συσκευή.

Επιπρόσθετες οδηγίες ασφαλείας για μπαταρίες και φορτιστές

Μπαταρίες

- ◆ Μην επιχειρήσετε ποτέ να την ανοίξετε, για κανένα λόγο.
- ◆ Μην εκθέτετε την μπαταρία σε νερό.
- ◆ Μην εκθέτετε την μπαταρία σε θερμότητα.
- ◆ Μην την αποθηκεύετε σε χώρους όπου η θερμοκρασία μπορεί να υπερβεί τους 40 °C.
- ◆ Να τη φορτίζετε μόνο σε θερμοκρασία περιβάλλοντος μεταξύ 10 °C και 40 °C.
- ◆ Η φόρτιση πρέπει να γίνεται μόνο με το φορτιστή που παρέχεται με τη συσκευή / το εργαλείο.
- ◆ Σε ό,τι αφορά την απόρριψη των μπαταριών, ακολουθήστε τις οδηγίες που παρατίθενται στην ενότητα "Διάθεση εργαλείων και περιβάλλον".
- ◆ Μην προκαλείτε ζημιές ή παραμορφώσεις στη μπαταρία, τρυπώντας ή χτυπώντας τη, καθώς οι ενέργειες αυτές εγκυμονούν κίνδυνο τραυματισμού ή πυρκαγιάς.
- ◆ Μη φορτίζετε φθαρμένες μπαταρίες.
- ◆ Σε περίπτωση έκθεσης σε ακραίες συνθήκες, η μπαταρία ενδέχεται να παρουσιάσει διαρροή. Αν παρατηρήσετε υγρά στις μπαταρίες, ενεργήστε ως ακολούθως:

- ◆ Σκουπίστε προσεκτικά τα υγρά με ένα πανί. Αποφύγετε την επαφή με το δέρμα.
- ◆ Σε περίπτωση επαφής με το δέρμα ή τα μάτια, ακολουθήστε τις παρακάτω οδηγίες.

Προειδοποίηση! Το υγρό μπαταριών μπορεί να προκαλέσει σωματικές βλάβες ή καταστροφή περιουσίας. Σε περίπτωση δερματικής επαφής, ξεπλύνετε αμέσως με νερό. Εάν υπάρχει ερυθρότητα, πόνος ή ερεθισμός αναζητήστε ιατρική βοήθεια. Σε περίπτωση επαφής με τα μάτια, ξεπλύνετε αμέσως με καθαρό νερό και αναζητήστε ιατρική βοήθεια.

Φορτιστές

Ο φορτιστής σας έχει σχεδιαστεί για συγκεκριμένες τάσεις. Ελέγχετε πάντα αν η τάση τροφοδοσίας αντιστοιχεί σε αυτήν που αναγράφεται στην πινακίδα χαρακτηριστικών.

Προειδοποίηση! Ποτέ μην επιχειρήσετε να υποκαταστήσετε το φορτιστή με κοινή πρίζα ρεύματος.

- ◆ Χρησιμοποιήστε μόνο το φορτιστή της Black & Decker για τη φόρτιση μπαταριών του τύπου που συνοδεύει το εργαλείο σας. Σε άλλες μπαταρίες ενδέχεται να σημειωθεί διάρρηξη, προκαλώντας τραυματισμό και ζημιά.
- ◆ Μην επιχειρήσετε ποτέ να επαναφορτίσετε μη επαναφορτιζόμενες μπαταρίες.
- ◆ Αν το καλώδιο ρεύματος έχει υποστεί βλάβη, πρέπει να αντικατασταθεί από τον κατασκευαστή ή από εξουσιοδοτημένο Κέντρο Επισκευών Black & Decker ώστε να αποφύγετε τους κινδύνους.
- ◆ Μην εκθέτετε το φορτιστή σε νερό.
- ◆ Μην ανοίγετε το φορτιστή.
- ◆ Μην επιχειρήσετε να διερευνήσετε το εσωτερικό του φορτιστή.
- ◆ Η συσκευή/εργαλείο/μπαταρία πρέπει να τοποθετηθεί σε μια καλά αερισιμένη περιοχή όταν φορτώνει.

Ελεγχος και επισκευές

Ο φορτιστής σας έχει σχεδιαστεί για συγκεκριμένες τάσεις. Ελέγχετε πάντα αν η τάση τροφοδοσίας αντιστοιχεί σε αυτήν που αναγράφεται στην πινακίδα χαρακτηριστικών. Ποτέ μην επιχειρήσετε να υποκαταστήσετε το φορτιστή με κοινή πρίζα ρεύματος.

- ◆ Αυτή η συσκευή δεν προσδιορίζεται για χρήση από άτομα (συμπεριλαμβανοντας και τα παιδιά) με ελαττωμένες φυσικές, αισθητήριες και ψυχικές δυνατότητες, ή έλλειψη εμπειρίας και γνώσης, εκτός αν υπάρχει επιτήρηση ή οδηγίες για τη χρήση της συσκευής από έναν υπεύθυνο άτομο για την ασφάλεια τους.
- ◆ Τα παιδιά πρέπει να επιτηρηθούν για να βεβαιωθείτε ότι δεν παίζουν με τη συσκευή.

Σύμβολα στον φορτιστή

Ο φορτιστής σας φέρει διπλή μόνωση, επομένως δεν απαιτείται σύρμα γείωσης.



Μετασχηματιστής απομόνωσης ασφαλούς λειτουργίας. Η παροχή ρεύματος είναι ηλεκτρικά διαχωρισμένη από την έξοδο του μετασχηματιστή.



Η τροφοδοσία του φορτιστή διακόπτεται αυτόματα εάν η θερμοκρασία του περιβάλλοντος γίνει πολύ υψηλή. Ος συνέπεια ο φορτιστής δεν θα είναι λειτουργήσιμος. Η μονάδα πρέπει να αποσυνδεθεί από την κεντρική παροχή ρεύματος και να αποσταλεί σε ένα εξουσιοδοτημένο κέντρο επισκευής για επισκευή.



Ο φορτιστής προορίζεται μόνο για χρήση σε εσωτερικούς χώρους.



Πριν χρησιμοποιήσετε τη συσκευή διαβάστε προσεκτικά ολόκληρο το εγχειρίδιο.

Προειδοποίηση! Κρατήστε τις ηλεκτρικές συσκευές μακριά από τα παιδιά ή ασταθής άτομα. Μην του αφήνεται να χρησιμοποιήσουν τις συσκευές χωρίς επιτήρηση.

Χαρακτηριστικά

1. Διακόπτης on/off
2. Κάδος αποθήκευσης σκόνης

Εικ. Α

3. Εξάρτημα για δύσκολα σημεία
4. Βούρτσα

Αποσυσκευασία**Ανάγνωσης του προϊόν σας**

Το μοντέλο σκεδασμού μπορεί να αποφασιστεί από τη κατάληξη κωδικών στον αριθμό καταλόγου. Οι ακόλουθοι αριθμοί περιγράφονται σε αυτό το εγχειρίδιο:

NV19XXYZ H2/NV24XXYZ H2/
NV36XXYZ H2/NV48XXYZ H2/
NV60XXYZ H2/NV72XXYZ H2

Η κατάληξη κωδικού XX αντιστοιχεί στα παρακάτω σχέδια:

00/99: λαβή βέργα, παρέχετε χωρίς εξαρτήματα

03: κυκλική λαβή, παρέχετε με εργαλείο καθαρισμού σχισμών και βούρτσα

Η κατάληξη Y χρησιμοποιείται για την αναγνώριση επιλογών χρωμάτων, εκτύπωσης ή ειδικών επιλογών. Η κατάληξη Z όταν παρουσιάζεται με το γράμμα N χρησιμοποιείται για τα μοντέλα με μπαταρία NiMH.

Εγκατάσταση

**NV24XXYZ/NV36XXYZ/NV48XXYZ/
NV60XXYZ/NV72XXYZ -
Τοποθέτηση της βάσης φόρτισης
στο τοίχο (εικ. B1 & B2)**

Η βάση φόρτισης μπορεί να τοποθετηθεί στο τοίχο, αποτελώντας έτσι ένα βολικό σημείο φύλαξης και φόρτισης της συσκευής.

Συναρμολόγηση

Τοποθέτηση των αξεσουάρ (εικ. A & C)

Αναλόγως το μοντέλο η συσκευή συνοδεύεται από τα εξής εξαρτήματα:

- ♦ ένα μυτερό εξάρτημα (3) για δυσπρόσιτα σημεία
- ♦ μία βούρτσα (4) για έπιπλα και σκάλες

Για να τοποθετήσετε κάποιο εξάρτημα, ακολουθήστε τα παρακάτω βήματα:

- ♦ Βγάλτε τα αξεσουάρ από τη συσκευή.
- ♦ Τοποθετήστε το κατάλληλο αξεσουάρ στο μπροστινό μέρος της συσκευής.

Μπορείτε να ξανατοποθετήσετε στη βάση του το άλλο αξεσουάρ κουμπώνοντας το στην υποδοχή του.

Για να ξανατοποθετήσετε και τα δύο αξεσουάρ:

- ♦ Πιέστε τα αξεσουάρ προς τα κάτω μέχρι να ασφαλισουν στη θέση τους.

Χρήση

- ♦ Η συσκευή μπορεί να επαναφορτιστεί όταν βρίσκετε πάνω στην επιφάνεια εργασίας ή κρεμασμένη στον τοίχο χρησιμοποιώντας το συμπεριλαμβανόμενο άγκιστρο.
- ♦ Πριν από την πρώτη χρήση, η μπαταρία θα πρέπει να φορτιστεί επί τουλάχιστον 24 ώρες.
- ♦ Αφήστε τη συσκευή συνδεδεμένη στον φορτιστή όταν είναι εκτός χρήσης.

Φόρτιση της μπαταρίας (εικ. B1 - B3)

NV24XXYZ/NV36XXYZ/NV48XXYZ/ NV60XXYZ/NV72XXYZ (εικ. B1 & B2)

- ♦ Βεβαιωθείτε ότι η συσκευή είναι εκτός λειτουργίας. Η μπαταρία δε θα πρέπει να φορτίζεται εάν ο διακόπτης on/off βρίσκεται στη θέση on.
- ♦ Τοποθετήστε σωστά τη συσκευή στον φορτιστή ευθυγραμμίζοντας το βέλος στον φορτιστή με τη σχισμή της συσκευής.
- ♦ Συνδέστε το φορτιστή στην πρίζα.
- ♦ Βεβαιωθείτε ότι υπάρχει παροχή ρεύματος.
- ♦ Αφήστε τη συσκευή να φορτίσει επί τουλάχιστον 24 ώρες.

NV19XXY (εικ. B3)

- ♦ Βεβαιωθείτε ότι η συσκευή είναι εκτός λειτουργίας. Η μπαταρία δε θα πρέπει να φορτίζεται εάν ο διακόπτης on/off βρίσκεται στη θέση on.
- ♦ Εισαγάγετε το βύσμα φορτιστή (6) στο ακροδέκτη σύνδεσης (7) στην πίσω πλευρά της συσκευής.
- ♦ Βάλτε το φορτιστή (5) στην πρίζα.
- ♦ Βεβαιωθείτε ότι υπάρχει παροχή ρεύματος.
- ♦ Αφήστε τη συσκευή να φορτίσει επί τουλάχιστον 24 ώρες.

Σημείωση: Κατά τη φόρτιση, υπάρχει η πιθανότητα να θερμανθεί ο φορτιστής. Αυτό είναι φυσιολογικό και δεν αποτελεί πρόβλημα. Η συσκευή μπορεί να παραμείνει συνδεδεμένη στο φορτιστή για απεριόριστο χρονικό διάστημα.

Προειδοποίηση! Μην φορτίζετε τη μπαταρία σε θερμοκρασίες περιβάλλοντος κάτω από 10 °C ή πάνω από 40 °C.

Θέση εντός και εκτός λειτουργίας (εικ. D)

- ♦ Για να θέσετε το εργαλείο σε λειτουργία, σύρετε εμπρός το διακόπτη on/off (1).
- ♦ Για να την σβήσετε, σύρετε πίσω το διακόπτη on/off.

Καθαρισμός και συντήρηση

Προειδοποίηση! Να καθαρίζετε τα φίλτρα τακτικά.

Καθαρισμός του κάδου αποθήκευσης της σκόνης και των φίλτρων (εικ. E & F)

Τα φίλτρα μπορούν να ξαναχρησιμοποιηθούν και θα πρέπει να καθαρίζονται τακτικά.

- ♦ Αφαιρέστε το κάδος αποθήκευσης σκόνης (2) στρέφοντάς το αριστερόστροφα.
- ♦ Αδειάστε τον κάδο αποθήκευσης σκόνης.
- ♦ Βγάλτε το συγκρότημα του φίλτρου (8) στρέφοντάς αριστερόστροφα.

- ◆ Πλύνετε τα φίλτρα σε ζεστή σαπουνάδα. Μπορεί να πλυθεί και ο κάδος αν είναι απαραίτητο. Μη βυθίζετε τη συσκευή σε νερό.
- ◆ Βεβαιωθείτε ότι ο κάδος αποθήκευσης σκόνης και τα φίλτρα είναι στεγνά.
- ◆ Επανατοποθετήστε το συγκρότημα του φίλτρου (8) στην συσκευή, στρέφοντας το δεξιόστροφα μέχρι να κλειδωθεί.
- ◆ Τοποθετήστε ξανά τον κάδο αποθήκευσης της σκόνης στη συσκευή. Βεβαιωθείτε ότι ο κάδος αποθήκευσης σκόνης έχει ασφαλίσει καλά στη θέση του.

Προειδοποίηση! Μη χρησιμοποιείτε ποτέ τη συσκευή χωρίς τα φίλτρα. Η συλλογή της σκόνης θα είναι αποτελεσματική μόνο αν είναι καθαρά τα φίλτρα και αν είναι άδειος ο κάδος αποθήκευσης της σκόνης.

Αντικατάσταση των φίλτρων

Τα φίλτρα πρέπει να αντικαθίστανται κάθε 6 έως 9 μήνες και οποτεδήποτε φθαρούν ή καταστραφούν. Το δικό σας εξουσιοδοτημένο κατάστημα Black & Decker διαθέτει ανταλλακτικά φίλτρα (κωδικός κατάλογου: VF60).

- ◆ Βγάλτε τα παλιά φίλτρα όπως περιγράφεται παραπάνω.
- ◆ Τοποθετήστε τα καινούρια φίλτρα όπως περιγράφεται παραπάνω.

Διάθεση εργαλείων και περιβάλλον



Ξεχωριστή συλλογή. Αυτό το προϊόν δεν πρέπει να απορριφθεί με συνηθισμένα σπιτικά απορρίμματα.

Εάν κάποια μέρα διαπιστώσετε ότι το προϊόν σας Black & Decker χρειάζεται αντικατάσταση ή δεν σας χρησιμεύει πλέον, μην το απορρίψετε με τα σπιτικά απορρίμματα. Κάντε αυτό το προϊόν διαθέσιμο για ξεχωριστή συλλογή.



Η ξεχωριστή συλλογή χρησιμοποιημένων προϊόντων και συσκευασιών επιτρέπει την ανακύκλωση υλικών. Η επανάχρηση ανακυκλωμένων υλικών βοηθάει την προστασία του περιβάλλον και μειώνει την ζήτηση για σπάνια υλικά.

Οι τοπικοί κανονισμοί μπορεί να παρέχουν ξεχωριστή συλλογή ηλεκτρικών προϊόντων από κατοικίες, δημοτικές τοποθεσίες απορριμμάτων ή από τον έμπορα όταν αγοράσατε το καινούργιο προϊόν.

Η Black & Decker δίνει τη δυνατότητα συλλογής και ανακύκλωσης των προϊόντων της που έχουν συμπληρώσει τη διάρκεια ζωής τους. Αν θέλετε να χρησιμοποιήσετε την εν λόγω υπηρεσία, επιστρέψτε το προϊόν σας σε οποιοδήποτε εξουσιοδοτημένο κέντρο επισκευών, όπου θα το παραλάβουν εκ μέρους σας.

Ενημερωθείτε για το πλησιέστερο κέντρο επισκευών της περιοχής σας, επικοινωνώντας με τα γραφεία της Black & Decker στη διεύθυνση που αναγράφεται στο εγχειρίδιο. Επίσης, για να πληροφορηθείτε τα εξουσιοδοτημένα κέντρα επισκευών της Black & Decker και τις λεπτομέρειες και τους αρμόδιους των υπηρεσιών που παρέχονται μετά την πώληση, μπορείτε να ανατρέξετε στο Διαδίκτυο στη διεύθυνση: www.2helpU.com

Μπαταρία (εικ. G)



Όταν απορρίψετε το προϊόν, πρέπει να αφαιρεθεί η μπαταρία όπως περιγράφεται παρακάτω και η απόρριψή της να γίνει σύμφωνα με τους τοπικούς κανονισμούς.

Αν θέλετε να απορρίψετε το προϊόν εσείς, πρέπει να αφαιρεθεί η μπαταρία όπως περιγράφεται παρακάτω και η απόρριψή της να γίνει σύμφωνα με τους τοπικούς κανονισμούς.

Προειδοποίηση! Αποσυνδέστε τη συσκευή από την πρίζα πριν αφαιρέσετε την μπαταρία.

- ◆ Αποφορτίστε την μπαταρία, θέτοντας τη συσκευή σε λειτουργία μέχρι να σταματήσει το μοτέρ.
- ◆ Βγάλτε τα αξεσουάρ από τη συσκευή.
- ◆ Αφαιρέστε τις βίδες (9).
- ◆ Ανοίξτε τη συσκευή.
- ◆ Αφαιρέστε τη μπαταρία, το μοτέρ και τη μονάδα του διακόπτη (10).
- ◆ Χρησιμοποιήστε ένα κατσαβίδι για να αφαιρέστε τη μπαταρία από το μοτέρ και τη μονάδα του διακόπτη.
- ◆ Συσκευάστε τη μπαταρία κατάλληλα, ώστε να εξαλείψετε το ενδεχόμενο βραχυκύκλωσης των πόλων.
- ◆ Στείλτε τη μπαταρία στον αντιπρόσωπό σας ή σε έναν τοπικό σταθμό ανακύκλωσης.

Προειδοποίηση! Μετά την αφαίρεση της, η μπαταρία δε μπορεί να ξανατοποθετηθεί.

Τεχνικά χαρακτηριστικά

	NV19XXYZ H2	NV24XXYZ H2
Τάση	V 2,4	2,4
Τύπος μπαταρίας	NiCd/NiMH	NiCd/NiMH
Βάρος	kg 0,65	0,65

	NV36XXYZ H2	NV48XXYZ H2
Τάση	V 3,6	4,8
Τύπος μπαταρίας	NiCd/NiMH	NiCd/NiMH
Βάρος	kg 0,7	0,85

	NV60XXYZ H2	NV72XXYZ H2
Τάση	V 6,0	7,2
Τύπος μπαταρίας	NiCd/NiMH	NiCd/NiMH
Βάρος	kg 0,9	0,95

Φορτιστής

	*A035015D	*A050020D
Μοντέλο	NV19/NV24	NV36
Τάση δικτύου	V _{AC} 230	230
Τάση εξόδου	V _{AC} 3,5	5
Αμπέραζ	mA 150	200
Χρόνος φόρτισης κατά προσέγγιση	h 24	24
Βάρος	kg 0,2	0,2

	*A070015D	*A075020D
Μοντέλο	NV48	NV60
Τάση δικτύου	V _{AC} 230	230
Τάση εξόδου	V _{AC} 7	7,5
Αμπέραζ	mA 150	200
Χρόνος φόρτισης κατά προσέγγιση	h 24	24
Βάρος	kg 0,2	0,2

	*A090020D
Μοντέλο	NV72
Τάση δικτύου	V _{AC} 230
Τάση εξόδου	V _{AC} 9
Αμπέραζ	mA 200
Χρόνος φόρτισης κατά προσέγγιση	h 24
Βάρος	kg 0,2

Στάθμη πίεσης ήχου σύμφωνα με το πρότυπο EN 60704-1:

Πίεση ήχου (L_{WA}) < 70 dB(A), αβεβαιότητα (K) 3 dB(A)

Αριθμός εφαρμογής ευρεσιτεχνίας για την Ευρωπαϊκή Ένωση:
000 540 745 & 000 540 752

Αριθμός εφαρμογής σχεδιασμού για την Ευρωπαϊκή Ένωση:
000 541 230 & 000 540 752

DUSTBUSTER είναι σήμα κατατεθέν της Black & Decker Corporation.

Εγγύηση

Η Black & Decker είναι σίγουρη για την ποιότητα των προϊόντων της και παρέχει σημαντική εγγύηση. Η παρούσα γραπτή εγγύηση αποτελεί πρόσθετο δικαίωμά σας και δεν ζημιώνει τα συνταγματικά σας δικαιώματα. Η εγγύηση ισχύει εντός της επικράτειας των Κρατών Μελών της Ευρωπαϊκής Ένωσης και της Ευρωπαϊκής Ζώνης Ελευθέρων Συναλλαγών.

Σε περίπτωση που κάποιο προϊόν της Black & Decker παρουσιάσει βλάβη εξαιτίας ελαττωματικών υλικών, ποιότητας εργασίας ή έλλειψης συμφωνίας με τις προδιαγραφές εντός 24 μηνών από την ημερομηνία αγοράς, η Black & Decker εγγυάται την αντικατάσταση των ελαττωματικών τμημάτων, την επισκευή προϊόντων που έχουν υποστεί εύλογη φθορά λόγω χρήσης ή την αντικατάσταση των προϊόντων προκειμένου να εξασφαλίσει την ελάχιστη ενόχληση στους πελάτες της, εκτός αν:

- ◆ Το προϊόν έχει χρησιμοποιηθεί σε εργασιακό, επαγγελματικό περιβάλλον ή αν έχει ενοικιαστεί
- ◆ Έχει γίνει εσφαλμένη χρήση του προϊόντος ή αν έχει παραμεληθεί
- ◆ Το προϊόν έχει υποστεί βλάβη από άλλα αντικείμενα, από ουσίες ή λόγω ατυχήματος
- ◆ Έχει γίνει προσπάθεια επισκευής από μη εξουσιοδοτημένα κέντρα επισκευών ή από προσωπικό που δεν ανήκει στο προσωπικό της Black & Decker

Για να ισχύσει η εγγύηση, πρέπει να υποβάλετε απόδειξη αγοράς στον πωλητή ή το εξουσιοδοτημένο κέντρο επισκευών. Ενημερωθείτε για το πλησιέστερο κέντρο επισκευών της περιοχής σας, επικοινωνώντας με τα γραφεία της Black & Decker στη διεύθυνση που αναγράφεται στο εγχειρίδιο. Επίσης, για να πληροφορηθείτε για τα εξουσιοδοτημένα κέντρα επισκευών της Black & Decker, τις λεπτομέρειες και τους αρμόδιους των υπηρεσιών που παρέχονται μετά την πώληση, μπορείτε να ανατρέξετε στο Διαδίκτυο στη διεύθυνση: www.2helpU.com

Παρακαλούμε να επισκεφτείτε την ιστοσελίδα μας www.blackanddecker.eu για να καταχωρήσετε το νέο σας προϊόν Black & Decker και για να ενημερώνεστε για τα νέα προϊόντα και τις ειδικές προσφορές. Περισσότερες πληροφορίες σχετικά με τη μάρκα Black & Decker και τη σειρά προϊόντων μας θα βρείτε στη διεύθυνση www.blackanddecker.eu

Öngörülen kullanımı

Sahip olduğunuz Black & Decker Dustbuster® el süpürgesi kuru ve hafif temizlik işlerinde kullanılmak üzere tasarlanmıştır. Bu ürün sadece ev işlerinde kullanım içindir.

Güvenlik talimatları

- ◆ **Uyarı!** Aküle çalışan cihazları kullanırken, yangın, aküyün akması, yaralanma ve eşyaya gelebilecek hasar risklerini azaltmak için aşağıdakileri de içeren temel güvenlik önlemlerine daima uyulmalıdır.
- ◆ Cihazı kullanmadan önce tüm kullanım kılavuzunu dikkatlice okuyun.
- ◆ Tasarlanan kullanım bu kullanım kılavuzunda tanımlanmıştır. Bu kullanım kılavuzunda belirtilen aksesuarların ya da yardımcı aletlerin kullanılmaması veya aletle tavsiye edilenin dışındaki işlemlerin yapılması yaralanma riskinin doğmasına yol açabilir.
- ◆ Bu kullanım kılavuzunu gelecekteki kullanımlar için saklayın.

Cihazınızın kullanılması

- ◆ Cihazı sıvıları ve alev alabilecek malzemeleri toplamak için kullanmayın.
- ◆ Cihazı suyun yakınında kullanmayın. Cihazı suyun içine batırmayın.
- ◆ Şarj cihazını prizden çıkarmak için hiçbir zaman şarj telinden çekmeyin. Şarj cihazının telini sıcaktan, yağdan ve keskin kenarlı cisimlerden uzak tutun.

Kullanımdan sonra

- ◆ Şarj cihazını temizlemeden önce fişini prizden çekin.
- ◆ Kullanılmadığı zaman, cihaz mutlaka kuru bir yerde saklanmalıdır. Saklanan cihazlara çocuklar erişmemelidir.

Cihazın kontrolü ve tamiri

- ◆ Kullanımdan önce cihazın veya herhangi bir parçasının arızalı olup olmadığını kontrol edin. Parçaların çatlak olup olmadığını, düğmelerinin arızalı olup olmadığını ve düzgün işlemeyi etkileyecek diğer şartların kontrolünü yapın.

- ◆ Cihazı herhangi bir parçası arızalıysa veya hatalıysa kullanmayın.
- ◆ Hasarlı veya kusurlu parçaların yetkili tamir servisleri tarafından tamir edilmesini veya değiştirilmesini sağlayın.
- ◆ Şarj kablosunu hasara karşı düzenli olarak kontrol edin. Kablo hasarlı veya kusurluysa şarjı değiştirin.
- ◆ Bu kullanım kılavuzunda belirtilen parçaların dışındaki hiç bir parçayı değiştirmeye veya sökmeye çalışmayın.

Kalıntı riskleri

Araç kullanılırken, araçla birlikte gönderilen güvenlik uyarılarında yer almayan farklı kalıntı riskleri ortaya çıkabilir. Bu riskler yanlış kullanım, uzun süreli kullanım, vb. nedenlerden kaynaklanabilir.

İlgili güvenlik düzenlemeleri ve güvenlik cihazları uygulamaları yapılsa dahi, bazı kalıntı riskleri önlenemeyebilir. Bu riskler arasında aşağıdakiler bulunur:

- ◆ Dönen/hareket eden parçalara dokunulmasından kaynaklanan yaralanmalar.
- ◆ Parça, bıçak veya aksesuar değiştirilirken ortaya çıkan yaralanmalar.
- ◆ Bir aracın uzun süre kullanılmasıyla kaynaklanan yaralanmalar. Herhangi bir aracı uzun süre kullanıyorsanız, düzenli olarak kullanıma ara vermeyi unutmayın.
- ◆ İşitme kaybı.
- ◆ Aracınızı kullanırken ortaya çıkan tozu solumanızdan kaynaklanan sağlık tehlikeleri (örneğin, tahta, özellikle de meşe, kayın ve MDF ürünleri ile çalışırken).

Diğerlerinin güvenliği

- ◆ Bu cihaz, fiziksel, ruhsal veya mental yetersizlikleri olan veya deneyim ve bilgi eksikliği olan kişilerce, kendi güvenlikleri açısından yetkili bir kişi tarafından cihazın kullanılması ile ilgili yetki veya talimat verilmediği sürece kullanılması için tasarlanmamıştır.
- ◆ Çocuklar bu cihazla oynamalarını temin etmek üzere kontrol altında tutulmalıdır.

Aküler ve şarj cihazları için ek güvenlik talimatları

Aküler

- ◆ Hangi nedenle olursa olsun asla açmaya teşebbüs etmeyin.
- ◆ Aküyü suyla temas ettirmeyin.
- ◆ Aküyü sıcak ortama maruz bırakmayın.
- ◆ 40 °C'lik ısıyı geçen yerlerde saklamayın.
- ◆ Sadece 10 °C ve 40 °C çevre sıcaklığı aralığındaki yerlerde şarj edin.
- ◆ Sadece, cihaz / alet ile sağlanan şarj aleti ile şarj edin.
- ◆ Aküleri elden çıkarırken, "Çevrenin korunması" bölümünde verilen talimatları takip edin.
- ◆ Yaralanma ve yangın riski oluşturabileceğinden, akü takımına delme veya çarpma gibi hareketlerle hasar vermeyin / deforme etmeyin.
- ◆ Hasarlı aküleri şarj etmeyin.
- ◆ Olağan üstü şartlarda aküden sızma olabilir. Akülerin üzerinde sıvı görürseniz aşağıdakileri uygulayın:
- ◆ Bir bez kullanarak dikkatlice sıvıyı temizleyin. Deri ile temas etmesini engelleyin.
- ◆ Cilt veya göz temasında aşağıdaki talimatları takip edin.

Uyarı! Akü suyu kişisel yaralanmaya veya mala zarar verebilir. Deriyle temasında derhal suyla yıkayın. Kızarıklık, acı veya kaşınma oluşursa derhal tıbbi müdahale yaptırın. Gözle temas olması halinde, derhal temiz su ile temizleyin ve tıbbi müdahale yaptırın.

Şarj aletleri

Sahip olduğunuz şarj cihazı sadece belli bir şebeke voltajı için tasarlanmıştır. Daima şebeke voltajının, adaptörünüzün üstünde yazılı olan voltajla aynı olmasına dikkat edin.

Uyarı! Şarj cihazınızı normal bir şebeke prizine yerleştirmeyi hiçbir zaman denemeyin.

- ◆ Sadece cihazınız / aletiniz ile size tedarik edilen Black & Decker şarj aleti ile şarj yapın. Diğer aküler patlayarak kişisel yaralanmalara ve hasara yol açabilir.

- ◆ Asla şarj edilebilir olmayan aküleri şarj etmeye çalışmayın.
- ◆ Besleme kordonu hasarlıysa, bir tehlikeyi önlemek için kordon üretici veya yetkili bir Black & Decker Servis Merkezinde tarafından değiştirilmelidir.
- ◆ Şarj cihazını suyla temas ettirmeyin.
- ◆ Şarj cihazını açmayın.
- ◆ Şarjı kurcalamayın.
- ◆ Şarj yapılırken, cihaz/alet/akü takımı iyice havalandırılmış bir yerde yerleştirilmelidir.

Elektrik güvenliği

Sahip olduğunuz şarj cihazı sadece belli bir şebeke voltajı için tasarlanmıştır. Daima şebeke voltajının, adaptörünüzün üstünde yazılı olan voltajla aynı olmasına dikkat edin. Şarj cihazınızı normal bir şebeke prizine yerleştirmeyi hiçbir zaman denemeyin.

- ◆ Bu cihaz, fiziksel, ruhsal veya mental yetersizlikleri olan veya deneyim ve bilgi eksikliği olan kişilerce, kendi güvenlikleri açısından yetkili bir kişi tarafından cihazın kullanılması ile ilgili yetki veya talimat verilmediği sürece kullanılması için tasarlanmamıştır.
- ◆ Çocuklar bu cihazla oynamalarını temin etmek üzere kontrol altında tutulmalıdır.

Şarj cihazı üzerindeki semboller



Şarj cihazınız çift izolelidir; bu nedenle toprak kablosuna ihtiyaç yoktur.



F

Arızaya karşı emniyetli izoleli transformator. Ana besleme elektrik olarak transformator çıkışından ayrılmıştır.



Çevre ısısı çok yükselir ise şarj otomatik olarak kapanır. Sonuç olarak şarj cihazı çalışmaz. Ünitenin fişi ana şebekeden çekilmeli ve onarım için bir yetkili servise götürülmelidir.



Şarj cihazı sadece kapalı yerlerde kullanım içindir.



Cihazı kullanmadan önce kullanım kılavuzunu dikkatlice okuyun.

Uyarı! Elektrikli cihazları çocukların veya güçsüz insanların ulaşabileceği yerlerden uzak tutun. Denetim olmadan bu insanların cihazları kullanmasına müsaade etmeyin.

Özellikler

1. Açma/kapama düğmesi
2. Toz bölmesi

Şek. A

3. Aralık ucu
4. Fırça ucu

Ambalajın açılması

Ürününüzün belirlenmesi

Model tasarımı, katalog numarasında kullanılan ek kodlardan belirlenebilir.

Aşağıdaki katalog numaraları bu kullanım kılavuzunda açıklanmaktadır:

NV19XXYZ H2/NV24XXYZ H2/
NV36XXYZ H2/NV48XXYZ H2/
NV60XXYZ H2/NV72XXYZ H2

XX ek kodu aşağıdaki tasarımlara tekabül etmektedir:

00/99: çubuk tutamak, herhangi bir aksesuar temin edilmemiştir

03: çember tutamak, aralık ucu ve fırça ucu ile birlikte temin edilmektedir

Y ek kodu renkinin, basının ve özel seçeneklerinin aralığını tanımlamak içindir. N harfi ile temsil edilen ek kod Z sadece NiMH model aküle kullanılmaktadır.

Kurulum

NV24XXYZ/NV36XXYZ/NV48XXYZ/ NV60XXYZ/NV72XXYZ - Şarj tabanını duvara monte etme (şek. B1 & B2)

Şarj tabanı cihaz için uygun bir koruma ve şarj noktası sağlamak üzere düz bir yüzeye veya duvara monte edilebilir.

Montaj

Aksesuarların takılması (şek. A & C)

Modele bağlı olarak, cihaz aşağıdaki aksesuarlarla beraber gelir:

- ◆ Dar alanlar için aralık ucu (3).
 - ◆ mobilya ve merdivenler için fırça ucu (4)
- Aksesuarı takmak için şunları yapın:
- ◆ Aksesuarları cihazdan çıkartın.
 - ◆ Uygun aksesuarı cihazın ön tarafına takın.

Diğer aksesuarı, bunu aksesuar tutucuya oturtturarak yeniden takabilirsiniz.

Her iki aksesuarı da yeniden takmak için:

- ◆ Aksesuarlar yerlerine oturana kadar aşağıya doğru bastırın.

Kullanım

- ◆ Cihaz korumada iken veya tedarik edilen duvar kancasını kullanarak duvara yerleşik olduğu zaman şarj edilebilir.
- ◆ İlk kullanımdan önce aküyün en az 24 saat şarj edilmesi gerekir.
- ◆ Cihazı kullanmadığınız zaman şarj cihazında bırakın.

Aküyü şarj edilmesi (şek. B1 - B3)

NV24XXYZ/NV36XXYZ/NV48XXYZ/ NV60XXYZ/NV72XXYZ (şek. B1 & B2)

- ◆ Cihazın kapalı olduğundan emin olun. Açma/kapama düğmesi açık konumdayken akü şarj edilmez.
- ◆ Şarj cihazının üzerindeki okun cihazın yarı kısmına hizalanmış şekilde cihazı şarj cihazı üzerine sabitleyin.
- ◆ Şarj cihazını prize takın.
- ◆ Cihazı şu şekilde çalıştırın.
- ◆ Cihazı en az 24 saat şarjda tutun.

NV19XXY (şek. B3)

- ◆ Cihazın kapalı olduğundan emin olun. Açma/kapama düğmesi açık konumdayken akü şarj edilmez.
- ◆ Fişi (6), cihazın arka tarafındaki şarj bağlantısına (7) takın.
- ◆ Şarjı (5) prize takın.
- ◆ Cihazı şu şekilde çalıştırın.
- ◆ Cihazı en az 24 saat şarjda tutun.

Not: Şarj olma sırasında şarj cihazı ısınabilir. Bu normaldir ve bir problem belirtisi değildir. Cihaz şarja bağlı durumda süresiz olarak kalabilir.

Uyarı! Aküyü, 10 °C altındaki veya 40 °C üzerindeki çevre sıcaklığında şarj etmeyin.

Cihazı açıp kapatma (şek. D)

- ◆ Açmak için, açma/kapama düğmesini (1) ileri itin.
- ◆ Kapatmak için, açma/kapama düğmesini geri çekin.

Temizlik ve bakım

Uyarı! Filtreleri düzenli olarak temizleyin.

Toz bölmesi ve filtrelerin temizlenmesi (şek. E & F)

Filtreler tekrar kullanılabilir ve düzenli olarak temizlenmelidir.

- ◆ Toz bölmesini (2) saatin ters yönünde çevirmek suretiyle çıkartın.
- ◆ Toz bölmesini boşaltın.
- ◆ Filtreyi cihazın (8) saatin ters yönünde döndürmek suretiyle çıkartın.
- ◆ Filtreleri ılık sabunlu suyla yıkayın. Gerekirse bölme de yıkanabilir. Cihazı suyun içine batırmayın.
- ◆ Toz bölmesinin ve filtrelerin kuru olduğundan emin olun.
- ◆ Filtreyi cihazın (8) cihaza takın. Bunu filtreler yerlerine oturana kadar saat yönünün tersine doğru çevirerek yapabilirsiniz.
- ◆ Toz bölmesini cihaza yeniden takın. Toz bölmesinin yerine oturduğundan emin olun.

Uyarı! Cihazı filtreler olmaksızın asla kullanmayın. En iyi toz toplama temiz filtreler ve boş bir toz bölmesiyle mümkündür.

Filtrelerin değiştirilmesi

Filtrelerin 6-9 ayda bir ve yıpranma veya hasar durumunda değiştirilmesi gerekir. Değiştirme filtreleriniz Black & Decker satıcınızdan bulunabilir (katalog numarası: VF60).

- ◆ Yukarıda anlatıldığı şekilde eski filtreleri çıkartın.
- ◆ Yukarıda anlatıldığı şekilde yeni filtreleri takın.

Çevrenin korunması



Ayrı biriktirme. Bu ürün normal ev atıkları ile çöpe atılmamalıdır.

Black & Decker ürününüz şayet bir gün değiştirilmesi gerekiyor ise, veya bundan böyle sizin için kullanılmayacak ise bu aleti normal ev atıkları ile çöpe atmayın. Bu ürünü ayrı bir biriktirme için ayırın.



Kullanılmış ürünlerin ayrıca biriktirilmesi ve paketlenmesi malzemelerin yeniden dönüşümüne ve yeniden kullanımına izin vermektedir. Yeniden dönüşümü olan malzemelerin yeniden kullanımı, çevre kirliliğini önlenmesine yardım etmekte ve ham maddeye olan talebi indirgemektedir.

Yerel yönetmelikler, yeni bir ürün satın aldığınız zaman, belediye atık bölgelerinde veya perakendeciler tarafından evlerden elektrikli aletlerin ayrı olarak biriktirilmesini sağlayabilir.

Black & Decker ürünleri çalışma ömürlerini tamamladıklarında, Black & Decker bunların geri kazandırılması ve biriktirilmesi için kolaylıklar sağlamaktadır. Bu hizmetten yararlanmak için elinizdeki ürünü, bizim yerimize ürünleri toplayan yetkili bir tamir servisine götürün.

Bu kılavuzda belirtilen adresteki yerel Black & Decker ofisine başvurarak size en yakın yetkili tamir servisinin yerini öğrenebilirsiniz. Alternatif olarak aşağıdaki Internet adresinden, Black & Decker yetkili tamir servislerinin listesini ve satış sonrası hizmet veren yetkililerin tam detaylarını öğrenebilirsiniz. www.2helpU.com

Akü (şek. G)

Ürün imha edileceği zaman, batarya aşağıda izah edildiği şekilde çıkartılmalıdır ve yerel düzenlemelere uygun olarak imha edilmelidir.

Ürünü kendiniz imha etmek istiyorsanız, akülerin aşağıda açıklanan şekilde çıkartılması ve yerel kurallara uygun bir şekilde imha edilmesi gerekir.

Uyarı! Aküyün çıkartın önce cihazın elektrik kaynağıyla bağlantısını kesin.

- ◆ Motor durana kadar cihazı çalıştırarak aküyü boşaltın.
- ◆ Aksesuarları cihazdan çıkartın.
- ◆ Vidaları (9) sökün.
- ◆ Cihazı açın.
- ◆ Aküyü ve eklenen motoru ve düğme modülünü (10) çıkartın.
- ◆ Aküyü motor ve düğme modülünden sökmek için bir tornavida kullanın.
- ◆ Aküleri, uçlar kısa devre yapmayacak şekilde uygun bir paketlenme ile yerleştirin.
- ◆ Aküyü servis acentenize veya yerel yeniden dönüşüm istasyonuna götürün.

Uyarı! Akü bir kere çıkarıldıktan sonra yeniden takılamaz.

Teknik veriler

	NV19XXYZ H2	NV24XXYZ H2
Voltaj	V 2,4	2,4
Akü tipi	NiCd/NiMH	NiCd/NiMH
Ağırlık	kg 0,65	0,65

	NV36XXYZ H2	NV48XXYZ H2
Voltaj	V 3,6	4,8
Akü tipi	NiCd/NiMH	NiCd/NiMH
Ağırlık	kg 0,7	0,85

	NV60XXYZ H2	NV72XXYZ H2
Voltaj	V 6,0	7,2
Akü tipi	NiCd/NiMH	NiCd/NiMH
Ağırlık	kg 0,9	0,95

Şarj

	*A035015D	*A050020D
Model	NV19/NV24	NV36
Giriş voltajı	V _{AC} 230	230
Çıkış voltajı	V _{AC} 3,5	5
Amperaj	mA 150	200
Ortalama şarj süresi	h 24	24
Ağırlık	kg 0,2	0,2

	*A070015D	*A075020D
Model	NV48	NV60
Giriş voltajı	V _{AC} 230	230
Çıkış voltajı	V _{AC} 7	7,5
Amperaj	mA 150	200
Ortalama şarj süresi	h 24	24
Ağırlık	kg 0,2	0,2

	*A090020D
Model	NV72
Giriş voltajı	V _{AC} 230
Çıkış voltajı	V _{AC} 9
Amperaj	mA 200
Ortalama şarj süresi	h 24
Ağırlık	kg 0,2

Ses basıncı seviyesi EN 60704-1'e göre belirlenmiştir:

Ses basıncı (L_{pa}) < 70 dB(A), belirsizlik (K) 3 dB(A)

Avrupa Topluluğu patent uygulama numaraları: 000 540 745 & 000 540 752

Avrupa Topluluğu tasarım uygulama numaraları: 000 541 230 & 000 540 752

DUSTBUSTER, Black & Decker Corporation'ın tescilli ticari markasıdır.

Garanti

Black & Decker, ürünün kalitesinden emindir ve ürün için üstün bir garanti sunar. Ayrıca bu garanti belgesi, hiçbir şekilde kanuni haklarınızın olmasını gerektirmez.

Eğer bir Black & Decker ürünü, hatalı malzeme ve işçilik nedeniyle bozulursa, satın alma tarihinden 24 ay içinde müşteriye mümkün olabilecek en az sorunu yaşatabilmek için Black & Decker hatalı kısımları değiştirmeyi, belirgin bir şekilde yıpranmış veya hasar görmüş kısımları onarmayı veya değiştirmeyi kabul eder; ancak bu belirtilenler şu durumlar dışında geçerlidir:

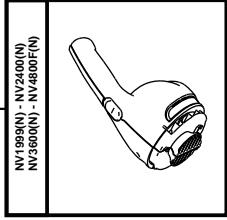
- ◆ Ürün ticari veya profesyonel amaçlarla kullanılmışsa veya kiraya verilmişse;
- ◆ Ürün yanlış veya amaç dışı kullanılmışsa;
- ◆ Ürün yabancı nesnelere, maddelere veya kaza sırasında zarar görmüşse;
- ◆ Yetkili tamir servisleri veya Black & Decker servis ekibinden başkası tarafından tamir yapılmaya kalkılmışsa.

Garanti talebinde bulunmak için, satıcıya veya yetkili tamir servisine satın aldığınıza dair ispat sunmalısınız. Bu kılavuzda belirtilen adresteki yerel Black & Decker ofisine başvurarak size en yakın yetkili tamir servisinin yerini öğrenebilirsiniz. Ya da, İnternet'te Black & Decker yetkili tamir servislerinin listesini ve satış sonrası hizmet veren yetkililerin tam detaylarını öğrenebilirsiniz. Bu site: www.2helpU.com adresindedir.

Yeni ürünler ve özel imkanlar hakkında sürekli güncel bilgi almak için lütfen www.blackanddecker.com adresinde bulunan web sitemize kayıt olun. Black & Decker markası ve ürün yelpazemiz hakkında daha fazla bilgi www.blackanddecker.com adresinde bulunmaktadır.

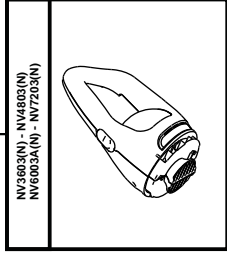
Partial support - Only parts shown available
 Nur die aufgeführten teile sind lieferbar
 Réparation partielle - Seules les pièces indiquées sont disponibles
 Supporto parziale - Sono disponibili soltanto le parti evidenziate
 Solo estan disponibles las peizas listadas
 So se encontram disponibles as peças listadas
 Gedeeltelijke ondersteuning - alleen de getoonde onderdelen zijn beschikbaar

1

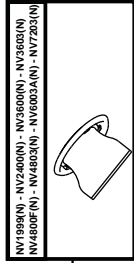


NV1999(N) - NV2400(N)
 NV3600(N) - NV4800F(N)

1



NV3603(N) - NV4803(N)
 NV6003A(N) - NV7203(N)



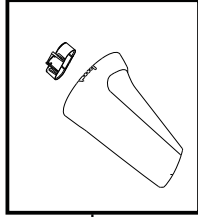
NV1999(N) - NV2400(N) - NV3600(N) - NV3603(N)
 NV4800F(N) - NV4803(N) - NV6003A(N) - NV7203(N)

9

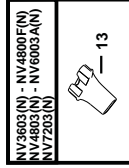


NV4800F(N) - NV4803(N)
 NV6003A(N) - NV7203(N)

8

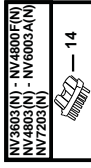


6



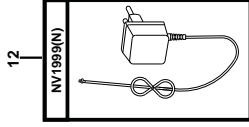
NV3603(N) - NV4800F(N)
 NV4803(N) - NV6003A(N)
 NV7203(N)

13



NV3603(N) - NV4800F(N)
 NV4803(N) - NV6003A(N)
 NV7203(N)

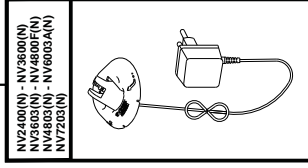
14



12

NV1999(N)

12



NV2400(N) - NV3600(N)
 NV3603(N) - NV4800F(N)
 NV4803(N) - NV6003A(N)
 NV7203(N)

ENGLISH

Do not forget to register your product!

www.blackanddecker.co.uk/productregistration

Register your product online at www.blackanddecker.co.uk/productregistration or send your name, surname and product code to Black & Decker in your country.

DEUTSCH

Vergessen Sie nicht, Ihr Produkt registrieren zu lassen!

www.blackanddecker.de/productregistration

Lassen Sie Ihr Produkt unter www.blackanddecker.de/productregistration online registrieren oder schicken Sie Ihren Nachnamen, Vornamen und den Produktcode an Black & Decker in Ihrem Land.

FRANÇAIS

N'oubliez pas d'enregistrer votre produit !

www.blackanddecker.fr/productregistration

Enregistrez votre produit en ligne sur www.blackanddecker.fr/productregistration ou envoyez vos nom, prénom et code produit à Black & Decker dans votre pays.

ITALIANO

Non dimenticate di registrare il prodotto!

www.blackanddecker.it/productregistration

Registrate il prodotto online su www.blackanddecker.it/productregistration o inviate nome, cognome e codice del prodotto al centro Black & Decker del vostro paese.

NEDERLANDS

Vergeet niet uw product te registreren!

www.blackanddecker.nl/productregistration

U kunt uw product online registreren op www.blackanddecker.nl/productregistration of u kunt uw voornaam, achternaam en productcode opsturen naar Black & Decker in uw land.

ESPAÑOL

¡No olvide registrar su producto!

www.blackanddecker.es/productregistration

Registre su producto on-line en www.blackanddecker.es/productregistration o envíe su nombre, apellidos y código de producto a Black & Decker en su país.

PORTUGUÊS

Não se esqueça de registar o seu produto!

www.blackanddecker.pt/productregistration

Registe o seu produto online em www.blackanddecker.pt/productregistration ou envie o seu nome, apelido e código do produto para a Black & Decker no seu país.

SVENSKA

Glöm inte att registrera produkten!

www.blackanddecker.se/productregistration

Registrera produkten online på **www.blackanddecker.se/productregistration** eller skicka namn och produktkod till Black & Decker i landet du bor i.

NORSK

Ikke glem å registrere produktet ditt!

www.blackanddecker.no/productregistration

Registrer produktet ditt online på **www.blackanddecker.no/productregistration**, eller send ditt navn, etternavn og produktkode til Black & Decker i ditt eget land.

DANSK

Glem ikke at registrere dit produkt!

www.blackanddecker.dk/productregistration

Registrer dit produkt på internettet på: **www.blackanddecker.dk/productregistration** eller send dit navn, efternavn og produktkode til Black & Decker i dit eget land.

SUOMI

Muistathan rekisteröidä tuotteesi!

www.blackanddecker.fi/productregistration

Rekisteröi tuotteesi verkossa osoitteessa

www.blackanddecker.fi/productregistration tai lähetä etunimesi, sukunimesi ja tuotekoodi oman maasi Black & Decker -edustajalle.

ΕΛΛΗΝΙΚΑ

Μην ξεχάσετε να καταχωρίσετε το προϊόν σας!

www.blackanddecker.gr/productregistration

Καταχωρίστε το προϊόν σας σε σύνδεση στη σελίδα

www.blackanddecker.gr/productregistration ή στείλτε το όνομα, επίθετο σας και τον κωδικό προιοντός στη Black & Decker στη χώρα σας.

TÜRKÇE

Ürününüzü kaydetmeyi unutmayın!

www.blackanddecker.co.uk/productregistration

Ürününüzü online olarak **www.blackanddecker.co.uk/productregistration** sitesine kaydedin veya adınızı, soyadınızı ve ürününüzün kodunu ülkenizdeki Black & Decker'a gönderin.

België/Belgique	Black & Decker (Belgium) N.V. Nieuwlandlaan 7 I.Z. Aarschot B156 3200 Aarschot	Tel. 016 68 91 00 Fax 016 68 91 11
Danmark	Black & Decker Sluseholmen 2-4, 2450 København SV Internet: www.blackanddecker.dk	Tel. 70 20 15 10 Fax 70 22 49 10
Deutschland	Black & Decker GmbH Black & Decker Str. 40, D - 65510 Idstein	Tel. 06126/21 - 0 Fax 06126/21 29 80
Ελλάδα	Black & Decker (Ελλάς) A.E Στράβωνος 7 & Λεωφ. Βουλιαγμένης 159 166 74 Γλυφάδα - Αθήνα	Τηλ. 210 8981616 Φαξ 210 8983285 www.blackanddecker.eu
España	Black & Decker Ibérica, S.C.A. Parc de Negocis "Mas Blau" Edificio Muntadas, c/Bergadá, 1, Of. A6 08820 El Prat de Llobregat (Barcelona)	Tel. 934 797 400 Fax 934 797 419
France	Black & Decker (France) S.A.S. 5 allée des Hêtres B.P. 30084 69579 Limonest Cédex	Tel. 04 72 20 39 20 Fax 04 72 20 39 00
Helvetia	ROFO AG Gewerbezone Seeblick 3213 Kleinbödingen	Tel. 026-6749391 Fax 026-6749394
Italia	Black & Decker Italia SpA Viale Elvezia 2 20052 Monza (MI)	Tel. 039-23871 Fax 039-2387592/2387594 Numero verde 800-213935
Nederland	Black & Decker Benelux Joulehof 12, 4622 RG Bergen op Zoom	Tel. 0164 - 283000 Fax 0164 - 283100
Norge	Black & Decker (Norge) A/S Postboks 4814, Nydalen, 0422 Oslo Internet: www.blackanddecker.no	Tif. 22 90 99 00 Fax 22 90 99 01
Österreich	Black & Decker Vertriebsges.m.b.H Oberlaaerstraße 246, A1100 Wien	Tel. 01 66116-0 Fax 01 66116-14
Portugal	Black & Decker Rua Egas Moniz 173 S. João do Estoril 2766-651 Estoril	Tel. 214667500 Fax 214667580
Suomi	Black & Decker Oy Keilasatama 3, 02150 Espoo Black & Decker Oy, Kägelhamnen 3, 02150 Esbo	Puh. 010 400 430 Faksi (09) 2510 7100 Tel. 010 400 430 Fax (09) 2510 7100
Sverige	Black & Decker AB Box 94, 431 22 Mölndal	Tel: 031-68 60 60 Fax 031-68 60 80
Türkiye	KALE Hırdavat ve Makina A.Ş. Deftardar Mah. Savaklar Cad. No:15 Edirnekapı / Eyüp / İstanbul 34050	Tel: 0212 533 52 55 Fax 0212 533 10 05
United Kingdom	Black & Decker 210 Bath Road Slough, Berkshire SL1 3YD	Tel. 01753 511234 Fax 01753 551155 Helpline 01753 574277
Middle East & Africa	Black & Decker (Overseas) A.G. PB 5420, Dubai, United Arab Emirates	Tel. +971 4 2826464 Fax +971 4 2826466