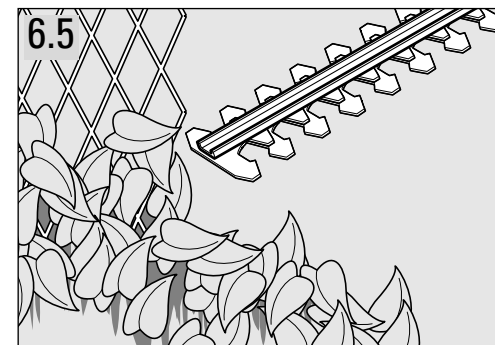
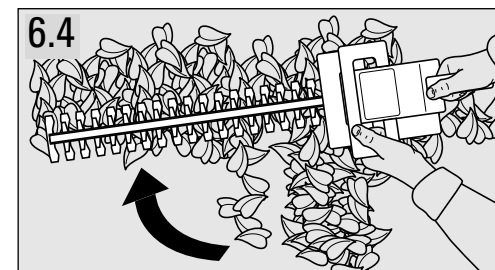
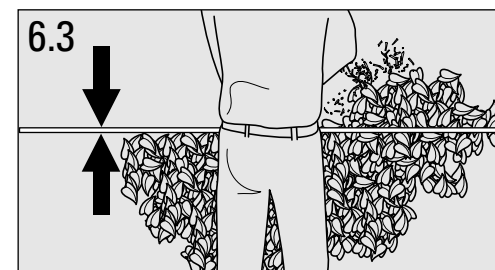
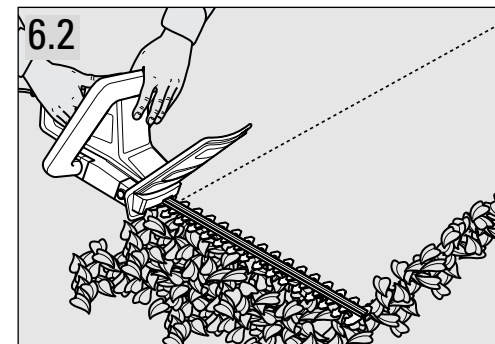
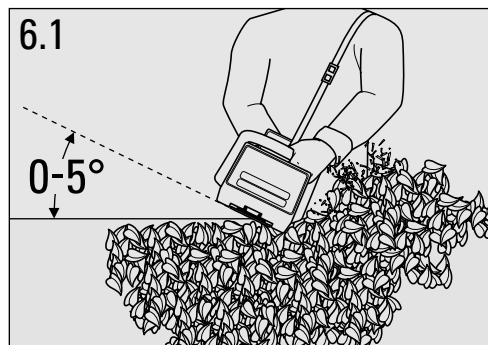
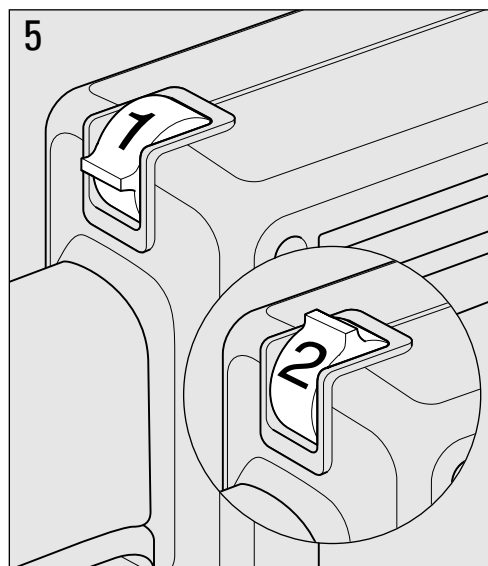
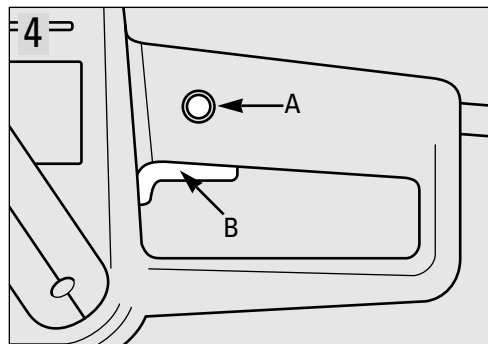
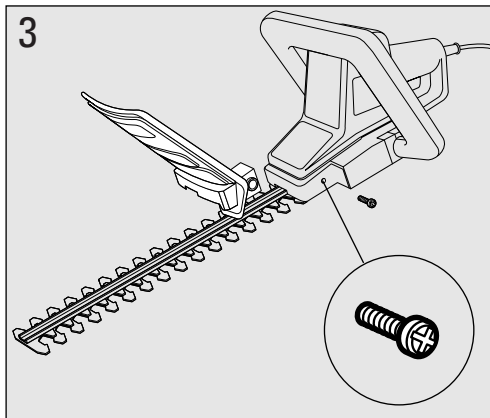
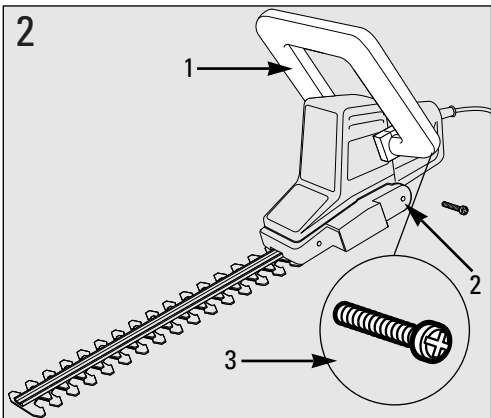
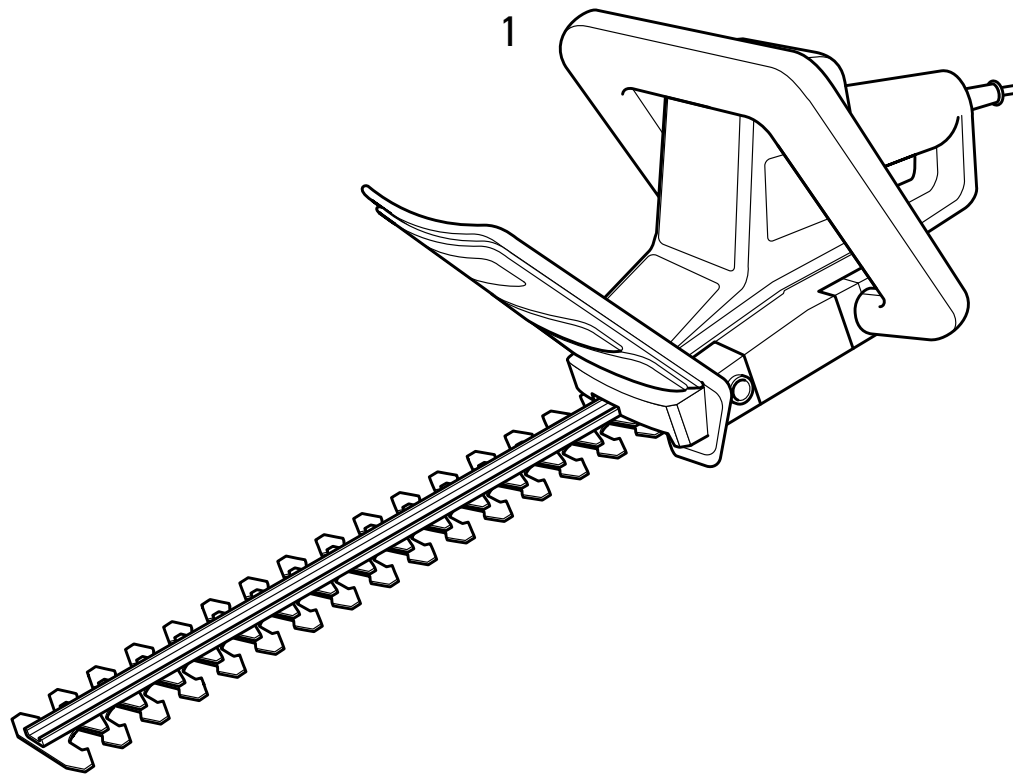


BLACK & DECKER®



Hedge Trimmer GT200 Series

Instruction Manual

Congratulations!

On your purchase of this hedgetrimmer from Black & Decker. This trimmer has the following features for your benefit:

- Full bale handle for comfort of use.
- Safety lock-off switch to prevent accidental starting.
- Front guard for user safety.
- Dual action blades for less vibration.

Safety instructions



Read all of this manual carefully, observing all the recommended safety instructions before, during and after using your machine. Maintain your machine in good working order.

Familiarise yourself with the controls on your machine before attempting to operate it, but above all, be sure you know how to stop your machine in an emergency. Retain this manual and all other literature supplied with your machine for future reference.



Warning! When using electric tools, basic safety precautions should always be taken to reduce the risk of fire, electric shock and personal injury. Read all of these instructions before using the tool.

For safe operation:

- **Keep the work area clean.** Cluttered areas and benches invite injuries.
- **Consider work area environment.** Do not expose power tools to rain and do not use power tools in damp or wet locations. Keep the work area well lit. Do not use power tools in the presence of flammable liquids or gases.
- **Guard against electric shock.** Avoid body contact with earthed or grounded surfaces (e.g. pipes, radiators, ranges, refrigerators).
- **Keep children away.** Do not let visitors touch the tool or extension cord. All visitors should be kept away from work area.
- **Store idle tools.** When not in use, tools should be stored in a dry, high or locked place, out of reach of children.
- **Do not force the tool.** It will do the job better and more safely at the rate for which it was intended.



- **Use the right tool.** Do not force small tools or attachments to do the job of a heavy duty tool. Do not use tools for purposes not intended: for example, do not use a circular saw to cut tree limbs or logs.
- **Dress properly.** Do not wear loose clothing or jewellery as they can be caught in moving parts. Rubber gloves and non-skid footwear are recommended when working outdoors. Make sure long hair is kept out of the way.
- **Use safety glasses.** Use a face or dust mask as well if the cutting operation is dusty.
- **Do not abuse the cord.** Never carry the tool by its cord or yank it to disconnect it from the socket. Keep the cord away from heat, oil and sharp edges.
- **Secure your work.** Use clamps or a vice to hold your work. It is safer than using your hand and it frees both hands to operate the tool.
- **Do not overreach.** Keep proper footing and balance at all times.
- **Maintain tools with care.** Keep tools sharp and clean for better and safer performance. Follow instructions for lubricating and changing accessories. Inspect tool cords periodically and if damaged have repaired by an authorised service facility. Inspect extension cords periodically and replace if damaged. Keep handles dry, clean and free from oil and grease.
- **Disconnect tools.** Disconnect when not in use, before servicing and when changing accessories such as blades, bits and cutters. Pull plug before carrying out any adjustment, servicing or maintenance.
- **Remove adjusting keys and wrenches.** Form the habit of checking to see that keys and adjusting wrenches are removed from the tool before switching it on.
- **Avoid unintentional starting.** Do not carry a plugged-in tool with a finger on the switch. Ensure the switch is off when plugging in.

- **Use outdoor extension cords.** When a tool is used outdoors, use only extension cords intended for outdoor use and so marked.
- **Stay alert.** Watch what you are doing. Use common sense. Do not operate when you are tired.
- **Connect dust extraction equipment.** If devices are provided for the connection of dust extraction and collection facilities, ensure these are connected and properly used.
- **Check damaged parts.** Before further use of the tool, a guard or other part that is damaged should be carefully checked to determine whether it will operate properly and perform its intended function. Check for alignment of moving parts, binding of moving parts, breakage of parts, mounting and any other conditions that may affect its operation. A guard or other part that is damaged should be properly repaired or replaced by an authorised service centre unless otherwise indicated in this instruction manual. Have defective switches replaced by an authorised service centre. Do not use the tool if the switch does not turn it on and off.



Warning! The use of any accessory or attachment, other than recommended in this instruction manual, may present a risk of personal injury.

- Have your tool repaired by a qualified person.
- This electrical appliance is in accordance with the relevant safety rules. Repairs should only be carried out by qualified persons using original spare parts, otherwise considerable danger to the user may result.

Training

- Never allow children or persons who are unfamiliar with this type of machine to use it, nor anyone who has not read this leaflet.
- Do not allow children, animals or other persons near your machine when in use - always keep them at least 6m (20ft) away from the cutting area.
- Remember that the operator/user is responsible for accidents or hazards occurring to other people or their property.
- Your machine is designed for use on AC (mains) electrical supplies only - do not attempt to use on any other supply.



- Plug your machine into a power point - never a lighting socket.
- Never carry your machine by the cable or jerk the cable to separate the connectors. Keep the cable away from heat sources, oils or sharp edges. Check the condition of your cable before use and do not use if damaged.
- We recommend a first time user should get informed, practical instruction on how to use a hedgetrimmer, as well as reading this manual.

Preparation

- To protect your feet, always wear stout shoes or boots.
- Use protective equipment. Wear safety spectacles or goggles and heavy duty gloves whilst operating your machine.
- Use a face mask if dusty.
- Use ear protection if the sound level seems uncomfortable when using your machine.
- Protect long hair from contact with the hedgetrimmer.
- Do not operate your machine barefoot or in open sandals.
- Do not wear loose jewellery.
- Clothes should be close fitting, but not restrict your movement.
- The power supply cable should be regularly inspected for signs of damage or ageing, and only used if in good condition.
- Always keep the power supply cable away from the blades - be aware of its position at all times.
- Always be sure your machine is in a safe operating condition.
- Before using your machine, disconnect it from the electrical supply and visually check that the blade fixings are secure. A damaged blade or loose blade nuts are a major hazard and must be replaced.
- Ensure hedges etc. are free from foreign objects such as railings or barbed wire which may damage your machine. Avoid dangerous starting, do not carry your hedgetrimmer to the hedge plugged in.

Operation

- Always ensure that you work in such a way that the cable is kept away from the blades.
- Release switch lever to turn machine off and remove the plug from the mains:
 - Whenever you leave your machine unattended.
 - Before checking, cleaning, adjusting, unjamming blades or working on the machine.
 - If the machine starts to vibrate abnormally (check immediately).
 - After striking a foreign object. Inspect the machine for damage and make repairs as necessary.
- Never attempt to stop the blades. Always allow them to stop on their own.
- Do not put hands or feet near blades.
- Start your machine carefully according to the instructions and with your body well away from the blades.
- Do not use your machine in the rain and do not allow it to get wet. Avoid using the machine in wet conditions.
- Use your machine only in daylight or good artificial light.
- Always be sure of your footing, particularly on slopes and always wear non-slip footwear.
- Walk, never run. Do not force the machine.
- Never operate the machine with defective or missing guards or shields.

Maintenance and storage

- Store your machine in a dry place when not in use, out of the reach of children.
- Do not use solvents or cleaning fluids to clean your machine. Always disconnect from the electrical supply before cleaning.
- Do not operate your machine if any parts are defective; discard all defective parts and fit new parts before use.
- Keep all nuts, bolts and screws tight to be sure your machine is in a safe working condition.
- Use only Black & Decker recommended replacement parts and accessories.

Black & Decker policy is one of continuous improvement to their product and as such they reserve the right to change product specification without prior notice.

Double insulation



Your machine is double insulated. This means that all external metal parts are electrically isolated from the power supply. This is achieved by placing an extra insulation barrier between the electrical and mechanical parts. Double insulation means greater electrical safety and obviates the necessity of having the machine earthed.

Electrical safety (UK only)



Your machine should always be switched off at the mains before disconnecting any plug and socket connector or extension cables.

Fuse replacement

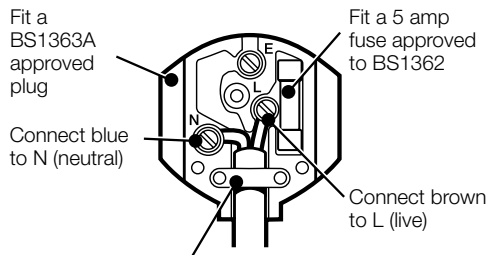
If your machine is supplied with cable fitted with a non-re-wireable plug.

- The plug is fitted with a 5 amp fuse which is the recommended fuse for your machine.
- Only use replacement fuses which are approved to BS1362.
- When changing the fuse in your plug, always ensure the fuse cover is refitted. If the fuse cover is missing or damaged do not use the plug.

Note: Fuses do not give personal protection against electric shock.

Plug replacement

- Disconnect the plug from the supply.
- Cut off the plug and dispose of immediately. Insertion of a detached plug into a 13 amp socket outlet may result in electric shock.
- Only fit BS1363A approved plugs fitted with the correctly rated fuse.



Make sure that the outer sheath of the cable is held firmly by the clamp



Never use a light socket



- The cable wire colours, or a letter, will be marked at the connection points of most good quality plugs. Attach the wires to their respective points in the plug (see above). Brown is for "Live" (L) and blue is for "Neutral" (N).
- Before replacing the top cover of the mains plug ensure that the cable restraint is holding the outer sheath on the cable firmly and that the two leads are correctly fixed at the terminal screws.



Warning! Never connect live or neutral wires to the earth pin marked "E" or \perp .

Note: Do not wire an extension cable directly into your machine yourself. Instead, take your machine to your nearest Black & Decker service centre.

Increased safety can be obtained by having a qualified electrician install a high sensitivity (30mA) circuit breaker in the house wiring. If you do not wish to have one installed, then we strongly recommend that the electrical power to the machine be supplied through a high sensitivity residual current device (RCD). The RCD is designed to provide a high degree of personal protection against harmful electric current should fault conditions occur.



Warning! The use of an RCD or other circuit breaker unit does not release the operator of the machine from the safety instructions and safe working practices given in this manual.

We recommend that if your mains cable is cut or requires replacement that you return your machine to a Black & Decker service centre. When repaired, your machine will be tested for electrical safety.

Cable connection system (UK only)

Black & Decker continually make every effort to achieve the highest standards in performance, quality and reliability and recommend the use of a new outdoor cable connection system.

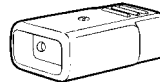
The new system gives additional protection against the possibility of water or moisture entering into the cable connector during normal use.

Note: The new connection system does not release the operator of the machine from the safety precautions and safe working practices given in the instruction leaflet. Particular attention is drawn to the coupler system as being "weather resistant" and not suitable for immersion, submersion or being subjected to water jets. Care should be taken to prevent the cable from lying or trailing through pools of water or from splashing with hose pipes.

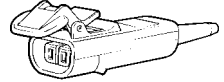
- A6615 20m cable, socket, 13 amp plug
- A6616 20m cable, socket, 13 amp plug and cable tidy frame
- A6617 30m cable, socket, 13 amp plug and cable tidy frame
- A6613 40m cable, socket, 13 amp plug and cable tidy reel

Existing cable systems (UK only)

If you already own an outdoor cable system, we recommend that you replace the existing 'female' cable connector with the new 'female' connector (see below) which is supplied loose in the carton. (Please read the section entitled "Fitting the 'female' connector".)



old 'female' connector

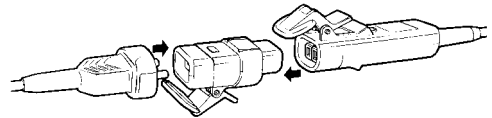


new 'female' connector

Should you wish to convert more than one cable system, the new female connector is available as an accessory from most major DIY retail outlets and from Black & Decker service centres (cat. no. A6624S). If in doubt, consult a qualified electrician.

Existing powered garden tools (UK only)

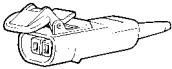
To connect existing Black & Decker garden power tools to the new system you will require an adaptor (see below). This is available as an accessory from most major DIY retail outlets (cat. no. A6623S).



Warning! This adaptor is only suitable for products rated up to 500W. It is not recommended for use with the following: Hover mowers, rotary mowers with grass collection, chainsaws, shredders and blower vacs. Please contact your local service centre should you require further advice.

Fitting your own extension cable (UK only)

- When fitting your own extension cable fit a 13 amp plug (see "fitting the mains plug") to one end of the cable and a 'female' connector (supplied loose in the carton) to the other end (see below). For wiring instructions see the following sections.
- A 'male' connector is already attached to the electrical supply cable on your machine and is designed to be non-rewireable (see below). *This should not be removed.* Should the cable and plug become damaged or need replacing, please return the machine to your Black & Decker service centre.



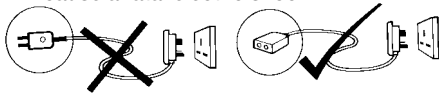
'female' connector



'male' connector

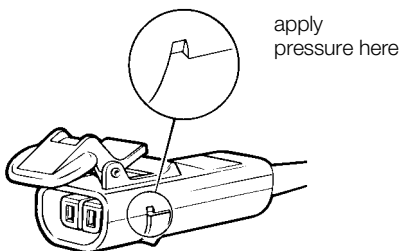


Warning! Never wire an extension cable with anything other than the 'female' connector supplied and a 13 amp BS1363A approved plug with the recommended fuse. **Never wire a 'male' connector to your extension cable and never wire an extension cable with a plug of any kind at each end of the cable. This is extremely dangerous and results in the pins being live which may cause a fatal electric shock.**



Fitting the 'female' connector (UK only)

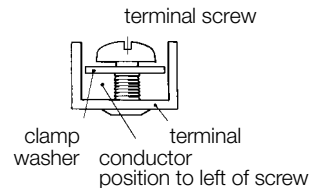
To remove the cover, unscrew the fixing screw until it is free of the nut which is located in the hexagonal recess on the underside of the connector. *Take care not to lose the nut if it falls out.* There is no need to completely remove the fixing screw as it is intended to remain captive in the cover. The cover can now be removed by applying pressure as shown below.



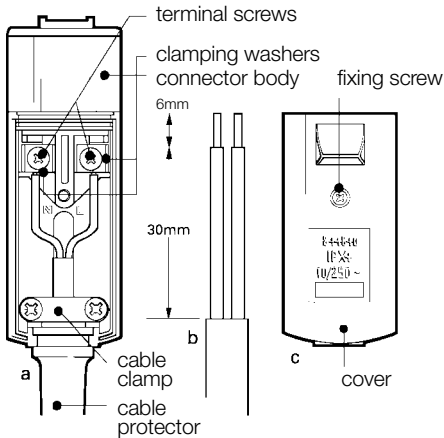
The extension cable contains two wires which are colour coded for easy recognition; brown is for 'Live' (L) and blue is for 'Neutral' (N). The female connector is marked 'L' for live and 'N' for neutral. These markings are located inside the body near the terminal screws (see next page, figure a). With the connector cover removed, lift out the cable protector and proceed as follows:

- Pass the cable through from the narrow end of the cable protector (see opposite, figure a).
- Prepare the cable ends to the specified strip lengths (see opposite, figure b).
- Remove cable clamp (see opposite, figure a). Take care of loose parts.
- To connect the extension cable to the connector terminals, unscrew the terminal screws until the clamp washers have lifted just enough to enter the conductor between the raised washer and the terminal (see below). Connect the brown lead to 'L' and the blue lead to 'N'.

N.B. There is no need to remove the terminal screws. Connections are not to be made under the screw heads.



- Locate the cable and cable protector into the body correctly (see below, figure a). Then fit the cable clamp over the outer sheath of the cable and screw down until the screws are fully home. Failure to do this may result in the cover not fitting correctly to the connector body.
- Before replacing the cover of the 'female' connector make sure that the cable clamp is holding the outer sheath of the cable firmly with screws fully home and that the two leads are correctly fixed at the terminal screws and are not taut (see next page, figure a).
- Place the cover onto the body assembly ensuring that it seats flat, then retighten the fixing screw into the nut until the cover is securely held (see next page, figure c).
- Finally check that the cable protector is secure and that there are no gaps between the cover and the connector body.



Assembly instructions

- To avoid risk of injury, it is advisable to leave the blades in their cardboard cover until the front handle has been fitted.

You will need a No 2 Posidrive screwdriver.

Fitting the front handle (Please see diagram 2)

- Clamp the handle (1) into the recesses (2) on the side of the unit.
- Pass the large screws (3) through the handle into the body, and tighten.

Fitting the guard (Please see diagram 3)

- Slide the guard over the length of the blade and locate onto the recesses on the side of the body.
- Insert the two guard fixing screws through the sides of the guard into the unit body and tighten.

Note: The guard and handle must always be fitted to the unit for protection of the user.

Operation of your hedgetrimmer (Please refer to diagram 4)

- Models with lock-off switch:
 - TO SWITCH ON
 - Press in lock-off button (A) and squeeze the trigger (B)
 - TO SWITCH OFF
 - Release the trigger.
- For units with a brake mechanism:
 - SWITCHING ON

- The motor may start momentarily before the blades begin to move. By fully depressing the switch trigger, drive to the blades will be connected and then the blades will begin to move.
- SWITCHING OFF
- The motor may run on after the blades have stopped. This is perfectly normal.

Electronic (Please see diagram 5)

- Models with electronic speed control:

Alter the speed to suit the application -

Low speed for light trimming.

High speed for fast hedge trimming.

Switch off before changing speed settings.

The speed of the blades can be adjusted from High speed to Low speed by rotating the control knob.

Low speed is obtained when No. 1 on the knob is visible.

High speed is obtained when No. 2 on the knob is visible.

Cutting techniques for better results (Please see diagrams 6.1 to 6.5)

- The blades will cut most effectively when they are not exactly parallel with the line of cut, but have the tips of the blades pointing slightly towards the hedge. This lateral tilt should not exceed 5° to the line of cut.
- Most users trim the top of a hedge first. Hold the tool at the desired angle and move it steadily along the line of cut. The double edged blade enables you to cut in either direction or with a side to side movement.
- For a very level finish, a piece of string can be stretched along the length of the hedge at the required height to serve as a guide. The hedge may be cut just above the string.
- To keep very flat sides it is better to cut upwards with the growth. Cutting downwards can produce an uneven result.
- Take care to avoid hard objects, such as wire, which could cause damage to cutting blades.

Remember that your hedgetrimmer is also suitable for clipping most shrubs or brambles.

Failure to work

If your hedgetrimmer does not work, unplug it and check:

- The power point (try another tool or appliance).
- The plug and its fuse.
- The plug and socket connections.

If in doubt get help from a qualified electrician, or visit your Black & Decker service centre.

Care and maintenance

- Switch off and disconnect from power supply before cleaning or adjusting your machine.
 - For best performance, keep the blades and air slots in the motor housing clean. Use a cloth or brush to remove cuttings, sap or other debris.
 - Prevent the blades from rusting by applying a film of light machine oil after cleaning.
 - Plastic parts may be cleaned by using a non abrasive cleaner and a cloth dampened with warm water.
 - Do not immerse any part of the hedgetrimmer in water.
 - Avoid all other types of detergents, cleaners or solvents. These may contain chemicals that could seriously damage the plastic. Do not spray the hedgetrimmer with water, and do not allow water to enter the hedgetrimmer.
 - After cleaning the tool can be stored in its packaging for protection.
 - Self lubricating bearings are used in the tool and lubrication is not required.
-

What to do if your hedgetrimmer needs repair

Information on how and where to send your hedgetrimmer for repair or service is given on the reverse of the parts diagram included with your product. We recommend you keep this in a safe place.

Australia/New Zealand: See Black & Decker under 'Tools electric' in your yellow pages.

Unwanted products and the environment



Should you find one day that your product needs replacement, or is of no further use to you, think of the protection of the environment. Black & Decker service centres will accept your old products and will dispose of them in an environmentally safe way.

Black & Decker lawn and garden guarantee

This guarantee provides: 36 months parts cover and 12 months labour (UK), 24 months parts cover and labour (Australia) and 12 months replacement product cover (New Zealand). In all cases proof of purchase will be required.

If your Black & Decker product becomes defective, within the guarantee period, due to faulty materials and workmanship, we guarantee to either replace all defective parts, or at our discretion, replace the unit free of charge, provided that:

- The product is returned to us or our authorised repairers with evidence of purchase.
- The product has been used within the parameters of its consumer classification.
- The product has not been used for hire purposes.
- Repairs have not been attempted by anyone other than our own service staff or authorised repairers.
- The failure represents normal wear and tear.

This guarantee is offered as an extra benefit and is additional to your statutory rights.

The guarantee policy

Failures due to the following are not covered:

- Replacing worn or damaged blades, nylon line and chains, or cords damaged during storage or use. These are regarded as replacement items which wear during normal usage.
- Failures as a result of sudden impact or obvious abuse.
- Failures due to usage not in accordance with instructions and recommendations contained in the instruction manual.

The use of other than genuine Black & Decker accessories and parts may damage or reduce the performance of you Black & Decker product and may render the guarantee void.

Black & Decker after sales service

Black & Decker offers a nationwide after sales service through company operated service centres. It is our aim to offer excellent service, fast repairs, extensive parts availability and full accessory support.

If you need any help or advice please contact your local Black & Decker service centre manager. Full details of our unique after sales service can be obtained from any of our service centres (a full directory is printed on the reverse of the parts drawing included with your product).

Australia/New Zealand: See Black & Decker under 'Tools electric' in your yellow pages.

Other Black & Decker products

Black & Decker has a full range of outdoor power tools that make life easy in the garden. If you would like further information on other products, please contact the Black & Decker service information centre at the address on the back cover, or contact your Black & Decker stockist.

Other products include (UK only):

Lawn mowers

Grass trimmers

Lawnrakers

Blower vacs

Hedge trimmers

Chainsaws

Compost shredders

ENGLISH

EC Declaration of Conformity

We declare that units:

**GT200, GT201, GT220, GT221, GT230, GT231,
GT233, GT240, GT241, GT243, GT331, GT334,
GT341, GT344, HT22, HT23, HT33, HT40,
GT430, GT440, GT150**

conform to 89/392/EEC, 89/336/EEC,
EN50144, EN55014, EN55104, 73/23/EEC

A weighted sound pressure 91 dB (A)

A weighted sound power 104 dB (A)

Hand/arm weighted vibration <2.5m/s²



Brian Cooke

Director of Engineering

Spennymoor, County Durham DL16 6JG, United Kingdom

Tagliasiepi Gamma GT200

Istruzioni per l'Uso

Congratulazioni

Congratulazioni per aver scelto questo tagliasiepi Black & Decker. Questo utensile ha le seguenti caratteristiche:

- Impugnatura versatile per una maggiore comodità d'uso.
- Interruttore di sicurezza per prevenire accensioni accidentali.
- Difesa anteriore per la vostra sicurezza.
- Lame a doppia azione per limitare le vibrazioni.

Norme di sicurezza



Leggete attentamente tutte le istruzioni contenute in questo manuale per sapere cosa fare prima, durante e dopo l'utilizzo della macchina. Mantenete il vostro utensile in un buono stato di funzionamento.

Familiarizzate con i comandi del vostro utensile prima di utilizzarlo, ma soprattutto, assicuratevi di essere in grado di spegnere l'utensile in caso di emergenza. Conservate questo manuale e gli altri documenti allegati al vostro utensile.



Attenzione! Quando utilizzate utensili elettrici, seguite sempre le normali precauzioni di sicurezza per ridurre il rischio di incendio, di scosse elettriche o di lesioni personali.

Leggete attentamente tutte le istruzioni contenute nel presente manuale prima di utilizzare l'utensile. Conservatele con cura.

Per un corretto e sicuro utilizzo:

- **Tenete pulita l'area di lavoro.** Disordine e detriti sono causa di incidenti.
- **Fate attenzione a dove lavorate.** Non esponete gli utensili alla pioggia e non lavorate in posti bagnati o umidi. Tenete pulita l'area di lavoro. Non utilizzate gli utensili dove c'è il rischio di causare incendi o esplosioni.
- **Precauzioni per evitare scosse elettriche.** Evitare dove possibile, contatti del corpo con superfici con messa a terra o collegati a terra (es. tubi, radiatori, cucine, frigoriferi).
- **Tenete lontani i bambini.** Non permettete agli estranei di toccare l'utensile. Tutti gli estranei vanno tenuti lontani dall'area di lavoro.



- **Riponete l'utensile in un luogo adatto.** Quando non viene utilizzato, l'utensile deve essere tenuto in un luogo asciutto e sicuro e in un ambiente chiuso, fuori dalla portata dei bambini.
- **Non forzate l'utensile.** Esso eseguirà in modo migliore e con maggiore sicurezza il compito per il quale è previsto.
- **Utilizzate l'utensile adatto.** Non utilizzate utensili sottodimensionati o con accessori insufficienti ad eseguire compiti gravosi. Non utilizzate utensili per lavori per i quali non sono previsti: per esempio, non usate una sega circolare per tagliare i rami o le radici di un albero.
- **Utilizzate un abbigliamento corretto.** Non portate abiti svolazzanti o gioielli in quanto potrebbero restare incastrati nelle parti mobili dell'utensile. Si consiglia l'utilizzo di guanti di gomma e di scarpe anti-sdrucchiolo. Se avete i capelli lunghi raccoglieteli con una fascia.
- **Usate occhiali protettivi.** Indossate una maschera protettiva antipolvere se durante il lavoro si genera pulviscolo.
- **Usate correttamente il cavo.** Non trasportate mai l'utensile tenendolo per il cavo. Non togliete la spina dalla presa tirandola per il cavo. Tenete il cavo lontano da fonti di calore, oli e bordi affilati.
- **Bloccate il pezzo di lavoro.** Utilizzate morsetti o morse da banco per tenere il pezzo in lavorazione. È più sicuro che tenerlo con le mani e consente un migliore controllo dell'utensile.
- **Non sporgetevi.** Mantenete sempre un appoggio sicuro ed un equilibrio corretto durante il lavoro.
- **Abbiate cura dei vostri utensili.** Manteneteli affilati e puliti per ottenere le migliori prestazioni. Seguite le istruzioni per la lubrificazione e la sostituzione degli accessori. Ispezionate il cavo periodicamente e se danneggiato, fatelo sostituire da un centro di riparazioni autorizzato. Ispezionate la prolunga periodicamente e sostituitemela se è danneggiata. Mantenete le impugnature asciutte e pulite, in particolare da macchie di olio o di grasso.





- **Disinserite l'utensile.** Disinseritelo quando non lo utilizzate, prima della manutenzione o durante la sostituzione degli accessori come le lame, le punte, le frese. Togliete la spina prima di effettuare qualsiasi riparazione, sostituzione o manutenzione.
- **Togliete sempre le chiavi di servizio.** Prima di accendere l'utensile, assicuratevi sempre che le chiavi di servizio siano state rimosse.
- **Evitate avviamenti accidentali.** Non trasportate l'utensile tenendo il dito sull'interruttore. Assicuratevi che l'interruttore sia disinserito quando inserite la spina.
- **Usate prolunghe per l'esterno.** Quando l'utensile è usato all'esterno, usate solo prolunghe apposite per lavori esterni ed in tal senso certificate.
- **Siate sempre accorti.** Fate attenzione a ciò che state facendo. Usate il buon senso. Non utilizzate elettrotensili se vi sentite stanchi.
- **Collegate le parti per l'aspirazione della polvere.** Se gli utensili sono provvisti di parti per l'aspirazione della polvere o di altre parti aggiuntive, assicuratevi che queste siano ben collegate prima di utilizzarle.
- **Controllate le parti danneggiate.** Prima di ogni utilizzo, controllate che l'utensile, le difese e le altre parti siano in ordine e possano operare correttamente. Controllate l'allineamento delle parti mobili, ed il loro collegamento; controllate eventuali rotture, il montaggio dei vari componenti e ogni altra condizione che possa pregiudicare il corretto funzionamento dell'utensile. Le parti eventualmente rotte devono essere sostituite o correttamente riparate da un centro di assistenza autorizzato. Fate sostituire da un centro autorizzato anche gli eventuali interruttori difettosi. Non utilizzate l'utensile se l'interruttore non funziona correttamente.



- Attenzione!** L'utilizzo di accessori non indicati in questo manuale può essere causa di incidenti.
- Fate riparare il vostro utensile da personale qualificato.

ITALIANO

- Il sistema elettrico di questo utensile è conforme alle principali norme di sicurezza. Le riparazioni devono essere effettuate da personale autorizzato, utilizzando parti di ricambio originali, diversamente questo potrebbe comportare gravi lesioni personali all'utilizzatore.

Sicurezza degli altri

- Non lasciate mai che bambini o persone non familiari con questo tipo di macchina, la utilizzino. Chiunque usi la macchina deve avere letto questo manuale.
- Non lasciate che bambini, altre persone o animali si avvicinino mentre lavorate. Teneteli sempre ad almeno 6 metri dalla zona di taglio.
- Ricordatevi che l'utilizzatore è responsabile per gli incidenti o per i danni causati alle persone o alla proprietà altrui.
- Il vostro utensile è stato progettato per essere alimentato unicamente con corrente alternata - non tentate di alimentarlo in altro modo.
- Non trasportate mai l'utensile tenendolo per il cavo, non estraete la spina tirando il cavo. Tenete il cavo lontano da fonti di calore, olii e superfici taglienti. Controllate sempre le condizioni del cavo prima dell'utilizzo e non usatelo se danneggiato.
- Raccomandiamo a coloro che si apprestano ad utilizzare l'utensile per la prima volta di informarsi sull'utilizzo del tagliasièpi e di leggere queste istruzioni d'uso.



Preparazione

- Portate sempre scarpe pesanti o stivali.
- Portate sempre occhiali protettivi e guanti da lavoro durante l'uso.
- Utilizzate una mascherina protettiva se l'ambiente è polveroso.
- Utilizzate protezioni per l'udito se la rumorosità dell'utensile in uso è per voi eccessiva.
- Raccogliete i capelli lunghi per evitare contatti con parti mobili della macchina.

- Non utilizzate l'utensile a piedi scalzi o indossando sandali aperti.
- Non portate bracciali e catenine lunghe.
- Portate abiti aderenti ma che non impediscano il libero movimento.
- Il cavo deve essere controllato regolarmente ed utilizzato solo se in buone condizioni.
- Tenete sempre il cavo lontano dalle lame - siate certi in ogni momento della sua posizione.
- Accertatevi sempre che l'utensile sia in buone condizioni.
- Prima di utilizzare l'utensile, disinserire la spina dalla presa di alimentazione e controllate che le viti delle lame siano serrate. Una lama danneggiata o una vite non serrata possono essere rischiose e vanno sostituite.
- Controllate che la siepe sia libera da elementi estranei come recinzioni o filo spinato. Evitate accensioni accidentali, non portate l'utensile alla siepe con la spina già collegata.

Utilizzo dell'utensile

- Controllate sempre che durante il lavoro il cavo non venga a contatto con le lame.
- Rilasciate l'interruttore per spegnere la macchina e staccate la spina dalla presa di alimentazione:
 - Ogni volta che lasciate l'utensile incustodito.
 - Prima della manutenzione, della pulizia, della riparazione, dello sblocco delle lame o di operazioni sulla macchina.
 - Se l'utensile inizia a vibrare in modo abnorme (controllate immediatamente).
 - Dopo aver colpito un elemento esterno. Controllate che l'utensile non abbia riportato danni. Se l'utensile è danneggiato, provvedete alla riparazione.
- Non tentate mai di fermare le lame. Aspettate sempre che si fermino da sole.
- Tenete le mani e i piedi lontani dalle lame.
- Fate attenzione quando mettete in funzione l'utensile, seguite le istruzioni e tenete il corpo ben distante dalle lame.

- Non usate mai tagliasiepi sotto la pioggia ed evitate che si bagni. Evitate di usare l'utensile in condizioni di particolare umidità.

- Usate l'utensile solo durante il giorno o con una buona illuminazione artificiale.
- Fate sempre attenzione a dove mettete i piedi, in particolare sui pendii e usate sempre scarpe anti-sdrucchiolo.
- Non forzate l'utensile. Mantenendo una velocità di taglio costante otterrete i risultati migliori.
- Non adoperate mai l'utensile con le protezioni difettose o mancanti.

Cura della macchina

- Riponetevi la macchina non in uso in un luogo asciutto e lontano dalla portata dei bambini.
- Non usate solventi o altri agenti chimici per pulire la macchina. Prima di pulire la macchina scollegate sempre la spina.
- Non utilizzate la macchina con parti difettose. Sostituite sempre le parti difettose prima di lavorare. Le filiali di assistenza Black & Decker sono a disposizione per offrire consigli gratuiti.
- Controllate che tutti i dadi e le viti siano sempre serrati, per essere sicuri che l'utensile sia in condizioni efficienti.
- Usate solo parti ed accessori originali Black & Decker.



La Black & Decker persegue una politica di continua innovazione dei propri prodotti e si riserva pertanto il diritto di modifica delle specifiche senza preavviso.

Doppio isolamento



La vostra macchina è dotata di doppio isolamento. Ciò significa che le parti metalliche esterne sono isolate elettricamente dalla fonte di energia. Questo si ottiene inserendo due barriere esterne protettive tra le parti elettriche e quelle metalliche. Il doppio isolamento offre maggiore sicurezza elettrica e non rende necessario il collegamento a terra della macchina.

Istruzioni per il montaggio

- Per evitare ogni pericolo di ferimento, si raccomanda di avvolgere la lama nella protezione in cartone fornita con l'imballaggio, durante le operazioni d'assemblaggio.

È necessario un cacciavite a stella n. 2.



Montaggio della manopola (Figura 2)

- Incastrare la manopola (1) negli alloggiamenti posti anteriormente sul corpo del motore (2).
- Inserire le viti (3) nel corpo della macchina attraverso la manopola e avvitare.

Montaggio della protezione (Figura 3)

- Far scorrere la difesa per tutta la lama e posizionarla in modo che aderisca al corpo dell'utensile.
- Inserire e fissare le due viti di fissaggio nelle apposite sedi.

Nota: Non utilizzare mai il taglia siepi senza protezione montata.

Modalità di funzionamento del taglia siepi (Figura 4)

- Modelli con interruttore antiavviamento accidentale. - Per Avviare: premere l'interruttore antiavviamento (A) e poi premere il pulsante (B). - Per Arrestare: rilasciare il pulsante (B).
- Modelli con arresto immediato delle lame. - Per Avviare: premere completamente l'interruttore. Prima inizierà a funzionare il motore, poi inizieranno a muoversi le lame. - Per Arrestare: rilasciare l'interruttore, il motore funzionerà per qualche attimo dopo che le lame si saranno fermate. Questo è assolutamente normale.

Elettronica (Figura 5)

- Modelli con variatore elettronico della velocità.

Variare la velocità a seconda del tipo di taglio che si deve eseguire -

- Velocità bassa: per i lavori più leggeri di potatura.

- Velocità alta: per una veloce rifinitura del taglio della siepe.

Spegnere l'utensile prima di variare la velocità.

La velocità delle lame può essere variata da alta a bassa ruotando il selettore di controllo.

La velocità bassa si ottiene quando sul selettore è visibile il n. 1.

La velocità alta si ottiene quando sul selettore è visibile il n. 2.

Consigli per l'uso (Figure 6.1 - 6.5)

- La miglior resa del taglio si ottiene con un' inclinazione delle lame non superiore al 5% rispetto alla linea di taglio.

- Potare prima la cima della siepe. Tenere l'utensile all'altezza di taglio desiderata e muoverlo parallelamente alla linea di taglio, la lama a doppio taglio permette di tagliare in ciascuna delle due direzioni.
- Per ottenere un accurato livello di taglio, disporre un pezzo di spago lungo tutta la lunghezza della siepe all'altezza desiderata. Servirà come guida: infatti la siepe potrà essere tagliata appena al di sopra dello spago.
- Per ottenere superfici regolari lungo i fianchi della siepe è consigliabile tagliare dal basso verso l'alto, infatti tagliando verso il basso i rami più sottili si piegano all'esterno e ciò può causare discontinuità del livello di taglio.
- È importante evitare di urtare oggetti come reti metalliche per non danneggiare le lame.

Ricordare che il taglia siepi è idoneo anche per potare arbusti, rovi o altri cespugli incolti del giardino.

Cura e manutenzione

- Spegnerne l'utensile e togliere la spina dalla presa di alimentazione prima di pulirlo o ripararlo.
- Per ottenere massime prestazioni, tenere pulite le lame e le prese d'aria dell'utensile. Usate un panno o una spazzola per rimuovere i detriti.
- Prevenite la formazione di ruggine sulle lame applicando uno strato di olio lubrificante fluido dopo averle pulite.
- Le parti in plastica possono essere pulite con un panno inumidito con acqua calda.
- Non immergete nessuna parte del taglia siepi nell'acqua.
- Evitate l'uso di qualsiasi altro tipo di detergente o solvente. Questi possono contenere solventi chimici che potrebbero danneggiare seriamente la plastica. Non spruzzate il taglia siepi con acqua e non fate entrare acqua nel taglia siepi.
- Dopo la pulitura, riponetelo l'utensile nella custodia protettiva.
- Nell'utensile sono presenti parti auto-lubrificanti che non necessitano di ulteriore lubrificazione.

Cosa fare se l'utensile necessita di riparazione

Se il vostro utensile Black & Decker necessitasse di riparazione, il sistema più semplice e rapido è quello di portarlo o inviarlo presso le nostre Filiali dirette di Assistenza, i Concessionari ed i Centri di assistenza Autorizzati dislocati su tutto il territorio Nazionale, unendo prova della data di acquisto (scontrino fiscale o fattura o bolla relativa all'acquisto) se la riparazione è in garanzia. Se doveste avere delle difficoltà vi preghiamo di voler contattare telefonicamente la Filiale di Assistenza più vicina per ottenere tutte le informazioni necessarie.

Eliminazione del prodotto e ambiente



Se in futuro il vostro utensile sarà da sostituire, o non avrete più l'esigenza di tenerlo, pensate alla salvaguardia dell'ambiente. I centri di assistenza Black & Decker accetteranno i vostri vecchi prodotti e li smaltiranno nel rispetto dell'ambiente.

Garanzia

Negli stabilimenti Black & Decker tutti i prodotti e i processi produttivi sono sottoposti a quei controlli che permettono alle nostre fabbriche di fregiarsi della certificazione ISO 9001, sinonimo di eccellenza.

Se nonostante tutti i controlli il prodotto manifestasse anomalie di funzionamento, dovute a difetti di materiale o di costruzione, entro i primi 12 mesi dalla data di acquisto Black & Decker si impegna alla sostituzione gratuita delle parti difettose o, in casi particolari alla sostituzione del prodotto con uno dalle caratteristiche equivalenti stanti le seguenti condizioni:

- Il prodotto venga ritomato al Centro di Assistenza Black & Decker unitamente ad un documento che ne comprovi la data d'acquisto (scontrino fiscale o fattura).
- Il prodotto non abbia subito abusi, non sia stato usato in maniera incompatibile con la sua tecnologia o il difetto non sia causato da evidente incuria.
- Il prodotto non sia stato manomesso o non abbia subito un tentativo di riparazione da persone non facenti parte di un Centro di Assistenza autorizzato.

I prodotti delle linee Black & Decker sono pienamente rispondenti a tutte le normative vigenti al momento della costruzione.

L'utilizzo di ricambi ed accessori non originali può danneggiare l'utensile o ridurne in maniera significativa le prestazioni e la sicurezza. In alcuni casi ciò può avere l'effetto di vanificare le condizioni di garanzia.

Servizio di assistenza Black & Decker

Se il vostro prodotto necessita di riparazione o avete bisogno di aiuto o consigli per la manutenzione del vostro utensile Black & Decker, vi suggeriamo di contattare la Filiale di Assistenza o il Centro di Assistenza Autorizzato più vicino a casa vostra. Potete telefonare per ottenere tutte le informazioni necessarie e prendere accordi per portare o inviare il vostro prodotto al Centro di Assistenza selezionato.

Altri prodotti Black & Decker

Black & Decker dispone di una gamma completa di utensili per il giardinaggio. Se desideraste ulteriori informazioni su tali utensili, contattate Il Servizio Informazioni Black & Decker all'indirizzo posto sul retro di questo manuale o contattate il vostro rivenditore Black & Decker.

**Tosaerba
Tagliaerba a filo
Tagliasiepi**

**Elettroseghe
Trituratore
Soffiatore/Aspiratore**

Dichiarazione di conformità EC

Si dichiara che i prodotti: **GT200, GT201, GT220, GT221, GT230, GT231, GT233, GT240, GT241, GT243, GT331, GT334, GT341, GT344, HT22, HT23, HT33, HT40, GT430, GT440, GT150** sono conformi a 89/392/EEC, 89/336/EEC, EN50144, EN55014, EN55104, 73/23/EEC

Pressione acustica ponderata 91dB (A)

Potenza acustica ponderata 104dB (A)

Vibrazioni mano-braccio <2.5m/s²

A stylized signature of Brian Cooke.

Brian Cooke

Direttore di Ricerca e Sviluppo
Spennymoor, County Durham DL16 6JG, Regno Unito

Heckenschere Modellreihe GT200

Bedienungsanleitung

Sicherheitshinweise



Bei der Benutzung von Elektro-Werkzeugen sollten immer grundlegende Sicherheitsvorkehrungen getroffen werden, um die Gefahr eines Stromschlages, eine Überhitzung der Maschine und die Verletzungsgefahr zu reduzieren. Bitte lesen Sie die Bedienungsanleitung sorgfältig durch, bevor Sie die Heckenschere in Betrieb nehmen.

Elektrische Verbindungen

- Ihre Gerät ist ausschließlich für den Betrieb mit Wechselstrom geeignet. Versuchen Sie nicht, andere Stromquellen zu benutzen und vergewissern Sie sich, daß die Spannung Ihres Gerätes und Ihre Netzspannung übereinstimmen. Die Volt-Angabe Ihrer Maschine finden Sie auf dem Typenschild.
- Lassen Sie Ihr Gerät nie unbeaufsichtigt, wenn es ans Stromnetz angeschlossen ist.
- Ziehen Sie immer den Netzstecker, bevor Sie das Gerät überprüfen, reinigen, eine Störung beseitigen oder ein Teil austauschen, wenn das Anschlußkabel beschädigt oder verheddert ist, oder wenn das Gerät nicht funktioniert. (Abb. A, 9).

Anschlußkabel



- Kontrollieren Sie die elektrischen Zuleitungen regelmäßig auf Beschädigungen, verwenden Sie nur ein einwandfreies Anschlußkabel.
- Halten Sie das Kabel stets aus dem Arbeitsbereich der Heckenschere fern.
- Tragen Sie das Gerät niemals am Kabel und ziehen Sie den Stecker nicht durch ruckartiges Ziehen am Kabel aus seiner Steckverbindung. Halten Sie das Kabel von Hitzequellen, Ölen und scharfen Kanten fern.
- Überprüfen Sie vor Arbeitsbeginn seinen Zustand und benutzen Sie es nicht, wenn es beschädigt ist.
- Verwenden Sie nur ein Verlängerungskabel, das für den Außenbereich zugelassen ist und einen Querschnitt von mindestens 2 x 1mm aufweist.

- Ortsveränderliche Geräte, welche im Freien verwendet werden, müssen über einen Fehlerstromschutzschalter angeschlossen werden.

Bekleidung



- Tragen Sie immer festes Schuhwerk.
- Tragen Sie beim Arbeiten mit der Heckenschere eine Schutzbrille, Handschuhe und Gehörschutz.
- Schützen Sie langes Haar vor Kontakt mit dem Schneidwerkzeug.
- Tragen Sie eng anliegende Kleidung, die Ihre Bewegungsfreiheit jedoch nicht einschränken darf.
- Tragen Sie keinen lose sitzenden Schmuck, wie lange Halsketten oder Armbänder.

Arbeiten mit dem Gerät

- Sollten Sie zum ersten Mal mit einer elektrischen Heckenschere arbeiten, informieren Sie sich zunächst über den praktischen Gebrauch eines solchen Gerätes und lesen Sie besonders die Bedienungsanleitung Ihres neuen Gerätes sorgfältig durch. (Abb. A, 11).
- Sorgen Sie dafür, daß der Handschutz montiert ist.
- Bringen Sie die Heckenschere erst zu ihrem Einsatzort, bevor Sie sie ans Stromnetz anschließen.
- Schützen Sie den Messerbalken beim Transport durch den Pflegekôcher.
- Entfernen Sie Draht und andere Fremdkörper aus der Hecke, bevor Sie mit dem Schneiden beginnen.
- Arbeiten Sie nur bei guter Beleuchtung.
- Entfernen Sie bereits geschnittenes Material aus dem Arbeitsbereich.
- Halten Sie das Gerät beim Arbeiten immer vor sich. Benutzen Sie beide Hände, um die Heckenschere zu führen und halten Sie das Anschlußkabel aus dem Arbeitsbereich fern.
- Versuchen Sie nicht, den Arbeitsfortschritt gewaltsam zu beschleunigen. Sie arbeiten besser und sicherer, wenn Sie in einem gleichmäßigen Tempo schneiden.

- Überschätzen Sie nicht Ihre Reichweite. Beugen Sie sich nicht zu weit vor, sorgen Sie stets für einen festen Stand und ausreichendes Gleichgewicht.
- Konzentrieren Sie sich auf Ihre Arbeit. Seien Sie stets vorsichtig und arbeiten Sie nicht mit der Heckenschere, wenn Sie müde sind.
- Arbeiten Sie niemals bei Nässe und schützen Sie Ihre Heckenschere vor Feuchtigkeit.

Schutz anderer Personen

- Erlauben Sie niemals Kindern oder anderen Personen, die mit dem Gerät nicht vertraut sind, bzw. Personen, die die Bedienungsanleitung nicht gelesen haben, die Heckenschere zu benutzen.
- Halten Sie Kinder, Tiere sowie andere Personen aus dem Arbeitsbereich der Maschine fern - sorgen Sie stets für einen ausreichenden Sicherheitsabstand.
- Kindern und Jugendlichen unter 16 Jahren ist die Benutzung der Heckenschere nicht gestattet.



Pflege des Gerätes

- Bewahren Sie das Gerät bei Nichtbenutzung in der Schutzhülle auf.
- Bewahren Sie das Gerät an einem trockenen Ort außerhalb der Reichweite von Kindern auf.
- Schützen Sie Ihre Heckenschere vor Nässe; lassen Sie sie nie im Regen liegen (Abb. A, 10).
- Halten Sie alle Schalter und Griffe sauber und sorgen Sie dafür, daß sich die Schalter immer leicht bewegen lassen.
- Verwenden Sie zum Reinigen des Gerätes keine scharfen Lösungsmittel. Ziehen Sie den Netzstecker, bevor Sie das Gerät säubern.
- Benutzen Sie die Heckenschere nicht, wenn Sie beschädigt ist.
- Überlassen Sie eine Reparatur aus Sicherheitsgründen dem Black & Decker Kundendienst, oder einem der Black & Decker Service-Händler.
- Verwenden Sie ausschließlich original Black & Decker Ersatz- und Zubehörteile. Andernfalls riskieren Sie die Gefahr von Verletzungen.



Bewahren Sie diese Hinweise sorgfältig auf!

Black & Decker ist bemüht, seine Produkte ständig zu verbessern und behält sich das Recht vor, ohne besondere Hinweise Veränderungen am Produkt vorzunehmen.

Doppelisolierung



Ihre Heckenschere ist doppelt isoliert. das bedeutet, daß alle außen liegenden Metallteile von der Stromversorgung elektrisch isoliert sind.

Montageanleitung

- Um Verletzungen auszuschließen, ist es ratsam, den Messerbalken in der Schutzhülle zu lassen, bis der Führungshandgriff befestigt ist.

Sie benötigen einen Kreuzschlitz-Schraubenzieher (PoziDrive Größe 2).

Montage des Führungshandgriffes (s. Abb. 2)

- Bringen Sie den Führungshandgriff (1) in die Position wie in Abbildung 2 gezeigt. Ziehen Sie ihn leicht auseinander und setzen Sie ihn in die dafür vorgesehenen Vertiefungen (2).
- Stecken Sie die langen Schrauben (3) durch die Aussparungen im Führungshandgriff und ziehen Sie sie fest an.

Montage des Handschutzes (s. Abb. 3)

- Schieben Sie den Handschutz über den Messerbalken und arretieren Sie ihn an den dafür vorgesehenen Aussparungen an der Seite des Gehäuses.
- Stecken Sie die beiden Befestigungsschrauben durch die Seiten des Handschutzes in das Gehäuse und ziehen Sie sie an.

Beachten Sie: Aus Sicherheitsgründen müssen Handschutz und Führungshandgriff immer am Gerät befestigt sein.

Betrieb der Heckenschere (s. Abb. 4)

Modelle mit Einschaltsperr:

- **EINSCHALTEN:** Drücken Sie Knopf A und betätigen Sie den Schalter B. Maschine läuft, Knopf A können Sie nun loslassen.
- **AUSSCHALTEN:** Loslassen des Schalters B.

Modelle mit zusätzlicher Messerbremse (Schnellstop):

- **EINSCHALTEN:** wie oben, kurzer Vorlauf des Motors ohne Messerbewegung ist möglich, bei vollem Durchdrücken des Schalters A wird das Messer in Bewegung gesetzt.
- **AUSSCHALTEN:** wie oben, kurzer Nachlauf des Motors bei bereits stehendem Messer ist normal.

Elektronik (s. Abb. 5)

- Modelle mit Regelelektronik:

Passen Sie die Drehzahl der jeweiligen Arbeitssituation an:

- niedrige Drehzahl für kraftvolles Kürzen dicker, verholzter Äste.

- höhere Drehzahl bei jungen Hecken und dünneren Ästen.

Vor dem Ändern der Drehzahl bitte Gerät abschalten.

Variieren Sie die Drehzahl anhand des Einstellknopfes.

Position 1 - niedrige Drehzahl.

Position 2 - hohe Drehzahl.

Tips für bessere Arbeitsergebnisse (s. Abb. 6.1 bis 6.5)

- Das beste Schnittergebnis erhalten Sie, wenn Sie die Heckenschere so halten, daß der Messerbalken in einem Winkel von ca. 5° zur Hecke geneigt ist (Abb. 6.1).
- In der Regel schneidet man die Oberseite der Hecke zuerst. Halten Sie die Heckenschere in dem gewünschten Winkel und führen Sie sie gleichmäßig an der Schnittlinie entlang.
- Die beidseitig schneidenden, gegenläufigen Messer erlauben es Ihnen, in beide Richtungen zu schneiden (Abb. 6.2).
- Um eine gleichmäßige Höhe der Hecke zu erreichen, empfiehlt es sich, einen Bindfaden als Richtschnur an der Heckenkante entlang zu spannen. Anschließend wird die Hecke oberhalb der Schnur geschnitten (Abb. 6.3).
- Die Seiten der Hecke werden in bogenförmigen Bewegungen von unten nach oben geschnitten. (Abb. 6.4)
- Achten Sie darauf, daß keine Gegenstände wie Draht o.ä. in die Messer geraten. Diese können die Messer beschädigen (Abb. 6.5).

Mit Ihrer neuen Heckenschere sind Sie in der Lage, die meisten Hecken- und Straucharten zu schneiden.

Funktentörung

Das Gerät ist gemäß den Richtlinien 76/889 EEC & 82/199 EEC bzw. 587075/VDE 0875 funktentört.

Pflege und Wartung

Ziehen Sie zunächst den Netzstecker!

- Reinigen Sie die Kunststoffteile nach dem Gebrauch mit einem feuchten Tuch. Benutzen Sie keine chemischen Reinigungsmittel.
- Säubern Sie die Messer mit einer festen Bürste. Zum Schutz gegen Korrosion empfehlen wir, das Messer mit einem Schmier Spray zu pflegen (Black & Decker Zubehör Nr. A6102).
- Optimale Pflege gewähren Sie den Messern, wenn Sie die Heckenschere in einem Pflegekocher aufbewahren, der an der Wand befestigt und mit einem Gleit- und Korrosionsschutzöl gefüllt ist.

Was müssen Sie tun, wenn Ihre Heckenschere einer Reparatur bedarf

Informationen, wohin Sie Ihre Heckenschere im Falle eines Defektes bringen oder schicken können, entnehmen Sie bitte den Unterlagen, die der Heckenschere beigelegt sind. Bewahren Sie diese, ebenso wie diese Bedienungsanleitung sorgfältig auf.

Black & Decker Gartengeräteprogramm

Black & Decker bietet Ihnen ein breites Programm von Elektro-Gartengeräten, die Ihnen die Arbeit im Garten erleichtern. Falls Sie weitere Informationen benötigen, fragen Sie Ihren Black & Decker Händler oder den Black & Decker Kundendienst.

Rasenmäher	Heckenscheren
Rasentrimmer	Kettensägen
Rasenlüfter	Häcksler
Laubsauger	

EG Konformitätserklärung

Wir erklären hiermit, daß die folgenden
Elektrowerkzeuge: **GT200, GT201, GT220,
GT221, GT230, GT231, GT233, GT240, GT241,
GT243, GT331, GT334, GT341, GT344, HT22,
HT23, HT33, HT40, GT430, GT440, GT150**

den Normen 89/392/EEC, 89/336/EEC,
EN50144, EN55014, EN55104,
73/23/EEC entsprechen

Lpa (Schalldruck) 91dB (A)

Lpa (Schalleistung) 104dB (A)

Gewichteter effektivwert der
Beschleunigung $<2.5\text{m/s}^2$



Brian Cooke

Director of Engineering

Spennymoor, County Durham DL16 6JG United Kingdom

Taille Haies

Gamme GT200

Notice d'Utilisation

Instructions de sécurité

i Lors de l'utilisation d'outils électriques, les précautions de sécurité de base doivent être observées pour réduire le risque d'incendie, d'électrocution ou de blessure. Lisez attentivement toutes ces instructions avant d'utiliser le produit.

Connexion électrique

- Votre machine est conçue exclusivement pour une alimentation secteur en courant alternatif. Ne connectez jamais sur un autre type de source.
- Ne laissez jamais votre outil sans surveillance s'il est branché.
- Débranchez toujours si vous dégagez les lames, nettoyez, inspectez, ou réglez toute pièce de votre outil. De même si votre câble est endommagé.

Câble d'alimentation

- Le câble doit être régulièrement inspecté et utilisé seulement s'il est en bon état.
- Contrôlez à tout moment la position de votre câble.
- Ne portez jamais votre taille-haies en le tenant par le câble et ne débranchez jamais en tirant sur celui-ci. Maintenez votre câble à l'écart des sources de chaleur, d'huile, ou d'arrêtes coupantes.
- N'utilisez que des câbles conformes pour une utilisation extérieure.

Habillement

- Portez toujours des bottes ou des chaussures rigides.
- Portez toujours des lunettes de sécurité, des gants, et des protections pour les oreilles lorsque vous utilisez votre outil.
- Attachez vos cheveux s'ils sont longs.
- Vos vêtements ne doivent être ni trop amples ni trop justes pour vous assurez une grande liberté de mouvement.
- Ne portez pas de bijoux.

Utilisation de votre outil

- Assurez vous que le protecteur est bien fixé.
- Évitez les démarrages dangereux. Ne le transportez pas jusqu'à la haie déjà branché.

- N'ôtez pas le protecteur de lames lors du transport.
- Nettoyez votre haie de tous les fils de fer, fils électriques, et autres objets durs avant de tailler.
- N'utilisez pas votre outil si vous n'avez pas la place de le manoeuvrer convenablement.
- Ne travaillez qu'avec un bon éclairage.
- Maintenez votre aire de travail très propre.
- En taillant, gardez l'outil devant vous. Utilisez toujours les deux mains et maintenez le câble derrière vous.
- Ne forcez pas le taille-haies. Il sera plus efficace si vous travaillez à vitesse constante.
- Ne vous mettez pas sur la pointe des pieds. Assurez vous toujours un bon équilibre.
- N'utilisez pas votre taille-haies si vous êtes fatigué.
- Ne taillez pas dans des conditions d'humidité et ne laissez pas votre machine sous la pluie.

Sécurité des tiers

- Ne laissez pas des enfants ou des personnes n'ayant pas lu la notice utiliser le taille-haies.
- Tenez les tiers et les animaux à l'écart de la surface de taille lorsque vous travaillez.
- Ne laissez pas les enfants de moins de 16 ans utiliser ce taille-haies.

Entretien de votre outil

- Remettez le protecteur de lames lorsque vous n'utilisez pas votre taille-haies.
- Rangez votre machine dans un endroit sec. Elle ne doit jamais être laissée sous la pluie (Fig. A, 10).
- Assurez vous que les poignées et interrupteurs sont propres et fonctionnent librement.
- N'utilisez pas de solvants ou de produits nettoyant. Débranchez avant de nettoyer.
- Si votre taille-haies est endommagé, ne l'utilisez pas et contactez votre revendeur Black & Decker.



Double isolation



Votre outil possède un système de double isolation. Cela signifie que toutes les parties extérieures du produit sont isolées de l'alimentation électrique par une barrière isolante. Ce dispositif dispense d'un branchement à la terre.

Fusibles

Nous recommandons des fusibles 3 ampères.

Important: Les fusibles ne protègent pas de l'électrocution.

Instructions de montage

- Pour éviter les risques de blessure, il est conseillé de laisser les lames dans leur fourreau jusqu'à ce que la poignée frontale soit montée.
-

Pour monter la poignée frontale (Fig. 2)

- Emboîter la poignée (1) dans les emplacements (2) de l'appareil.
 - De chaque côté de la poignée, enfiler une grosse vis (3), la visser dans l'appareil et la bloquer.
-

Pour monter le protecteur (Fig. 3)

- Mettre le taille-haies à l'envers sur une surface stable de manière à ce que la poignée frontale et le bloc moteur soient posés à plat.
- Présenter le protecteur en face des bossages de la poignée frontale.

Enfiler la vis dans le protecteur, la visser et la bloquer.

Utilisation de votre taille-haies (Fig. 4)

Modèles avec bouton de sécurité:

- Marche appuyer sur le bouton de sécurité (A), puis appuyer sur la gachette.
- Arrêt relâcher la gachette.

Modèles avec un mécanisme de frein:

- Marche le moteur doit démarrer juste avant que les lames commencent à bouger. Appuyer fortement sur le bouton de sécurité puis appuyer sur la gachette.
- Arrêt le moteur doit s'arrêter après que les lames se soient arrêtées. Ceci est tout à fait normal.

Modèle à double commande a) Pour la mise en marche - serrez la poignée supérieure (C). - pressez le bouton de verrouillage (A) et appuyez sur la gachette (B). b) Pour l'arrêt - Relâchez la gachette (B).

Electronique (Fig. 5)

Modèles avec un variateur électronique:

Modification de la vitesse pour chaque application -

Vitesse lente pour élagueur - vitesse rapide pour une coupe rapide des haies Arrêter le taille-haies avant de changer la vitesse.

La vitesse des lames peut être ajustée de vitesse rapide à vitesse lente par rotation du bouton de contrôle.

La vitesse lente est obtenue lorsque le No 1 est visible sur le bouton de contrôle.

La vitesse rapide est obtenue lorsque le No 2 est visible sur le bouton de contrôle.

Techniques de coupe pour obtenir de meilleurs résultats (Fig. 6.1 - 6.5)

- Les lames coupent mieux lorsqu'elles ne sont pas exactement parallèles à la ligne de coupe; leur donner une légère inclinaison dans le sens du taillage. L'inclinaison latérale ne doit pas excéder 5 avec la ligne de coupe.
- La plupart des utilisateurs taillent le haut de la haie en premier Tenir l'appareil avec l'inclinaison souhaitée, et le déplacer le long de la haie. La lame à double tranchant permet la coupe dans les 2 sens ou avec un mouvement de balayage.
- Pour obtenir des haies bien nivelées, tendre un cordeau sur toute la longueur de la haie, à hauteur désirée et l'utiliser comme guide. La coupe peut donc s'effectuer juste au-dessus du cordeau.
- Pour obtenir des bords droits, il est recommandé de commencer par le bas et de remonter. Les jeunes pousses S'écartant lors d'une coupe de haut en bas, des irrégularités peuvent se produire dans la coupe.
- Eviter des objets tels le fil de fer, qui pourraient endommager les lames.

Le taille-haies peut aussi servir pour la coupe de la plupart des arbustes, roses et broussailles.

Interférences radio et TV

Tous les produits Black & Decker sont conformes à la législation sur les interférences radio et TV.

Entretien

Débranchez votre taille-haies.

- Après utilisation, nettoyez les parties plastiques uniquement à l'aide d'un chiffon mouillé d'eau chaude.
- Utilisez une brosse trempée dans l'huile de troncousseuse pour nettoyer les lames. Attention à ne pas vous couper.
- Tenez l'huile à l'écart des pièces plastiques.
- Après le nettoyage, remplacez le fourreau protecteur. Celui-ci peut être fixé au mur pour faciliter le rangement.
- Si la lame s'émousse, il est possible de la réaffûter, mais prenez bien garde à ne pas vous couper.
- Votre agent Black & Decker est disponible pour remplacer vos lames.

Autres produits Black & Decker

Black & Decker propose une gamme complète d'outils électriques de jardin.

Pour plus d'informations, faites le 36-15 code Black sur votre minitel.

Attestation de conformité EC

Nous déclarons que les produits: **GT200, GT201, GT220, GT221, GT230, GT231, GT233, GT240, GT241, GT243, GT331, GT334, GT341, GT344, HT22, HT23, HT33, HT40, GT430, GT440, GT150**

sont conformes aux 89/392/EEC, 89/336/EEC, EN50144, EN55014, EN55104, 73/23/EEC

Niveau de pression acoustique 91dB (A)

Niveau de puissance acoustique 104dB (A)

Niveau de vibration main-bras <2.5m/s²



Brian Cooke

Directeur du développement
Spennymoor, County Durham DL16 6JG
United Kingdom

Heggeschaar GT200 Serie

Gebruiksaanwijzing

Veiligheidsvoorschriften



Als u elektrische gereedschappen gebruikt, moet u altijd de basisveiligheidsvoorschriften in acht nemen om het risico van brand, elektrische schokken en lichamelijke letsels te vermijden. Lees de onderstaande veiligheidsvoorschriften zorgvuldig door voor u het gereedschap gebruikt (Fig. A, 8).

Elektrische aansluiting

- Uw heggeschaar is alleen ontworpen om op wisselstroom (netspanning) te worden aangesloten - probeer de machine nooit op een andere leiding aan te sluiten en zorg er steeds voor dat ze aan uw stroomvoorziening is aangepast. De spanning voor deze machine is aangegeven op het kenplaatje.
- Steek de stekker van de machine altijd in een stopcontact en nooit in een contactdoos voor verlichtingstoestellen.
- Laat de machine nooit onbewaakt achter als de stekker nog in het stopcontact steekt.
- Trek altijd de stekker uit het stopcontact voor u de vast-gelopen snijbladen van de heggeschaar vrijmaakt, de machine schoonmaakt of controleert, een onderdeel van de heggeschaar bijstelt, als het elektriciteits snoer beschadigd is of in de war zit, of als de heggeschaar niet werkt (Fig. A, 9).



Elektriciteits snoer

- Het elektriciteits snoer moet regelmatig op beschadigingen of slijtage worden gecontroleerd en mag alleen in goede staat worden gebruikt.
- Houd steeds in het oog waar het elektriciteits snoer zich precies bevindt.
- Draag de machine nooit bij het snoer en trek niet aan het snoer om de stekkerverbindingen uiteen te halen. Houd het snoer uit de buurt van warmtebronnen, olie of scherpe randen. Controleer de staat van het snoer voor u de machine in werking stelt en gebruik het niet als het beschadigd is.
- Gebruik alleen elektriciteits snoeren die geschikt zijn om buitenshuis te werken.



Kleding

- Draag steeds stevige schoenen of laarzen.
- Draag steeds een beschermende bril, handschoenen en oorbeschermers als u met de machine werkt.
- Zorg ervoor dat lang haar niet in contact kan komen met de heggeschaar.
- Draag goed aansluitende kleding, die u echter niet hindert bij uw bewegingen.
- Draag geen loshangende juwelen.

Gebruik van de machine

- Iemand die de machine voor het eerst gebruikt, moet degelijke praktische informatie krijgen over hoe een heggeschaar moet worden gebruikt en deze handleiding zorgvuldig lezen (Fig. A, 11).
- Zorg er steeds voor dat de beveiliging is aangebracht.
- Vermijd gevaarlijke starts. Draag uw heggeschaar niet tot bij de haag terwijl de stekker in het stopcontact steekt.
- Breng het meegeleverd beschermend omhulsel over de snijbladen aan als u de heggeschaar draagt.
- Verwijder alle draden of andere harde voorwerpen van de haag voor u deze begint te snoeien.
- Gebruik uw heggeschaar nooit als u slechts een beperkte bewegingsruimte hebt.
- Gebruik de heggeschaar alleen bij voldoende licht.
- Verwijder het snoeiafval steeds uit de snoeizone.
- Houd de heggeschaar voor u terwijl u de haag snoeit. Gebruik beide handen om de heggeschaar vast te houden en zorg ervoor dat het snoer steeds achter u ligt.
- Forceer de heggeschaar niet. Ze zal haar werk beter en veiliger uitvoeren als u tegen een rustige snelheid werkt.
- Reik niet te ver. Zorg ervoor dat u steeds stevig staat en goed uw evenwicht bewaart.



- Blijf alert. Wees voorzichtig en werk niet met de heggeschaar als u moe bent.
- Gebruik de heggeschaar nooit in vochtige omstandigheden en laat ze nooit in de regen achter (Fig. A, 10).

Veiligheid van anderen



- Laat kinderen of mensen die met dit soort machine niet vertrouwd zijn of deze handleiding niet hebben gelezen de heggeschaar in geen geval gebruiken.
- Laat kinderen, dieren of andere volwassenen nooit in de buurt van de machine komen terwijl u ermee aan het werken bent - houd hen altijd op een veilige afstand van de snoeizone.
- Laat kinderen onder de 16 jaar nooit met uw heggeschaar werken.

Onderhoud van de machine

- Breng het beschermend omhulsel over de snijbladen aan als u de heggeschaar niet gebruikt.
- Berg de machine op een droge plaats en buiten het bereik van kinderen op als u ze niet gebruikt.
- Houd uw heggeschaar droog, laat ze nooit buiten in de regen achter (Fig. A, 10).
- Zorg er steeds voor dat alle handgrepen en schakelaars schoon zijn en dat de schakelaars vrij kunnen bewegen.
- Gebruik geen oplosmiddelen of reinigingsvloeistoffen om uw machine schoon te maken. Trek altijd eerst de stekker uit het stopcontact voor u de machine begint te reinigen.
- Gebruik uw heggeschaar nooit als ze beschadigd is. Uw plaatselijke Black & Decker dealer zal u gratis adviseren wat u moet doen.
- Laat uw heggeschaar voor uw eigen veiligheid alleen bij een Black & Decker service centre herstellen.
- Gebruik uitsluitend door Black & Decker aanbevolen vervang-onderdelen en toebehoren. Het gebruik van andere dan de in deze handleiding aanbevolen toebehoren kan een risico van lichamelijke letsels inhouden.

Houd deze veiligheidsvoorschriften bij!

Black & Decker streeft ernaar zijn producten voortdurend te verbeteren en behoudt zich daarom het recht voor de produktspecificaties zonder voorafgaande kennisgeving te wijzigen.

Dubbele isolatie



De machine is dubbel geïsoleerd. Dit betekent dat alle uitwendige metalen delen elektrisch geïsoleerd zijn van de netvoeding. Dit wordt bekomen door een extra isolerende laag aan te brengen tussen de elektrische en de mechanische onderdelen. De dubbele isolatie is een garantie voor uw veiligheid en maakt aarding van de machine overbodig.

Het monteren van de heggeschaar

- Om risico's tijdens het monteren te vermijden, laat U de kartonnen beschermhoes over de messen.

U heeft een No 2 Pozidrive schroevendraaier nodig om de machine te monteren.

Vastzetten van de voorhandgreep (2)

- Klem de handgreep (1) in de uitsparingen (2) aan de zijkant.
- Druk de lange schroeven (3) door de gaten en draai ze vast.

Vastzetten van de beschermkap (3)

- Schuif de beschermkap boven de messen naar de uitsparingen aan de voorkant van de machine.
- Duw de twee schroeven door de gaten en draai ze vast.

De voorhandgreep en de beschermkap moeten altijd aangebracht worden ter bescherming van de gebruiker.

Gebruik van de heggeschaar (4)

Modellen met een veiligheidsschakelaar Aanzetten:

- Druk op de veiligheidsknop (A) en trek aan de schakelaar (B).

Uitschakelen:

- Laat de schakelaar los (B).
- Maar onder een kleine hoek van ongeveer 6 graden.
- De meeste gebruikers beginnen met de bovenkant van de heg.
- Houdt de heggeschaar onder de gewenste hoek en beweeg hem gelijkmatig op de gewenste snijhoogte.

- De dubbele snijkanten maken het mogelijk om zowel naar links als naar rechts te snijden .
- Voor een nauwkeurige afwerking van de bovenkant van de heg kan langs de heg op de gewenste hoogte een draadje worden gespannen.
- De zijkant van de heg kan het beste met een opwaartse beweging geknipt worden voor het beste resultaat. Naar beneden knippen geeft een minder goed resultaat.
- Zorg ervoor dat de messen niet in aanraking komen met bv. prikkeldraad. Een heg is vaak ingeplant tegen een bestaande afrastering! Knippen in bv. prikkeldraad kan de messen beschadigen
- Uw heggeschaar is ook geschikt om heesters en braamstruiken te snoeien.
- Modellen met een messenrem Aanzetten: De motor start voordat de messen bewegen. Indien de schakelaar geheel ingedrukt wordt, zullen de messen bewegen. Uitschakelen: De bladen bewegen nog enkele seconden nadat de machine is uitgeschakeld. Dit is normaal.

Elektronika (5)

- Modellen met elektronische snelheidsregeling: Pas de snelheid aan aan het type heg. Langzame snelheid voor lichte heggen. Hoge snelheid voor zwaardere heggen. Schakel de machine uit voor U de snelheid wijzigt. De snelheid kan veranderd worden door de knop te draaien. Lage snelheid als de knop in positie 1 staat. Hoge snelheid als de knop in positie 2 staat.

Snijtechnieken voor betere resultaten (6.1 - 6.5)

- De machine snijdt het beste als de bladen niet parallel aan de de heg gehouden worden, maar onder een kleine hoek van ongeveer 5 graden.
- De meeste gebruikers beginnen met de bovenkant van de heg. Houdt de heggeschaar onder de gewenste hoek en beweeg hem gelijkmatig op de gewenste snijhoogte. De dubbele snijkanten maken het mogelijk om zowel naar links als naar rechts te snijden.
- Voor een nauwkeurige afwerking van de bovenkant van de heg kan langs de heg op de gewenste hoogte een draadje worden gespannen.
- De zijkant van de heg kan het beste met een opwaartse beweging geknipt worden voor het beste resultaat. Naar beneden knippen geeft een minder goed resultaat.

- Zorg ervoor dat de messen niet in aanraking komen met bv. prikkeldraad. Een heg is vaak ingeplant tegen een bestaande afrastering! Knippen in bv. prikkeldraad kan de messen beschadigen.

Uw heggeschaar is ook geschikt om heesters en braamstruiken te snoeien.

Zekeringen

De aanbevolen zekering voor deze machine is 3 Ampère.

Opmerking: Zekeringen bieden geen bescherming tegen elektrische schokken.

Bijkomende elektrische veiligheid

Wij raden u ten zeerste aan om de elektrische stroom naar de machine toe te voeren via een 30mA reststroomapparaat (RSA) met hoge gevoeligheid. Het RSA biedt een grote bescherming tegen schadelijke elektrische stroom die kan optreden bij storingen.

Opgelet! Ook al gebruikt u een RSA of een andere stroomonderbreker, toch moet u nog steeds de veiligheids-voorschriften en veilige werkmethodes naleven die in deze handleiding zijn beschreven, als u met de machine werkt.

Radio en televisiestoringen

Alle Black & Decker tuingereedschappen voldoen aan de geldende wettelijke voorschriften met betrekking tot radio en televisiestoringen.

Onderhoud

Trek de stekker van uw heggeschaar uit het stopcontact!

- Reinig na gebruik de kunststofdelen met een doek die met warm water is bevochtigd. Gebruik geen chemische reinigingsmiddelen.
- Gebruik een harde borstel die in kettlingolie is gedompeld om de snijbladen te reinigen (let op dat u niet in uw handen snijdt). De olie zal maken dat de bladen niet roesten.
- Zorg ervoor dat de kunststofdelen niet met de olie in aanraking komen.
- Breng na de reiniging het beschermend omhulsel rond de bladen aan en berg uw heggeschaar veilig op. Het beschermend omhulsel kan aan de muur worden bevestigd voor een gemakkelijke opberging.

- Als de bladen afgesleten of beschadigd zijn, kunnen ze worden bijgeslepen met een vijl. We raden aan om dit met de grootste zorgvuldigheid te doen om te vermijden dat u in uw handen snijdt.
- U kunt zo nodig nieuw bladen verkrijgen bij uw Black & Decker dealer.

Wat als u heggeschaar moet worden hersteld?

Hoe en waar u met uw heggeschaar terecht kunt voor reparaties of onderhoud kunt u lezen op het garantiebewijs. We raden u aan om dit bewijs veilig op te bergen.

Andere Black & Decker producten

Black & Decker beschikt over een volledig produktaanbod elektrisch gereedschap om het onderhoud van uw tuin te vergemakkelijken. Voor meer informatie over deze producten kunt u terecht bij het Black & Decker Service en Informatiecentrum, waarvan u het adres op de achterkant van deze handleiding vindt, of bij uw Black & Decker dealer.

Grasmaaiers	Heggescharen
Grasscharen	Kettingzagen
Vertikuteermachines	Wiedmachines
Strimmers	Compostmolens

EC Verklaring van Conformiteit

Wij verklaren dat de machines: **GT200, GT201, GT220, GT221, GT230, GT231, GT233, GT240, GT241, GT243, GT331, GT334, GT341, GT344, HT22, HT23, HT33, HT40, GT430, GT440, GT150**

conform is aan: 89/392/EEG, 89/336/EEG, EN50144, EN55014, EN55104, 73/23/EEG

Gewogen geluidsdruk 91dB (A)

Gewogen geluidskracht 104dB (A)

Gewogen vibratie hand/arm <2.5m/s²



Brian Cooke

Hoofd van de Technische dienst
Spennymoor, County Durham DL16 6JG
United Kingdom

Recortasetos

Serie GT200

Manual de Instrucciones

Normas de seguridad

i Cuando use herramientas eléctricas deberá tomar siempre ciertas precauciones básicas de seguridad para evitar el riesgo de incendios, descargas eléctricas y daños personales. Antes de usar este producto (Fig. A, 8), lea con atención estas instrucciones.

Conexión eléctrica

- Esta máquina está diseñada para enchufarla sólo a corriente alterna (c.a.). No intente usarla con otra corriente y compruebe si el voltaje de la máquina coincide con el de su instalación eléctrica. El voltaje de esta máquina aparece en la placa de características.
- Enchufe la máquina a un enchufe de fuerza, no a uno normal.
- No deje su máquina sola y enchufada a la corriente eléctrica.
- Desenchufe siempre la máquina de la corriente cuando vaya a limpiar las hojas, antes de limpiarla, de inspeccionarla o de ajustar cualquier parte de la misma; si no funciona o si el cable está roto o enredado (Fig. A, 9).



Cable de alimentación

- Inspeccione periódicamente el cable de alimentación de esta máquina para ver si presenta síntomas de daños o desgaste y sela sólo si el cable está en buen estado.
- Esté atento en todo momento a la posición del cable.
- Nunca lleve la máquina colgando del cable ni tire de él para separar los conectores. Mantenga el cable alejado de las fuentes de calor, la grasa y los objetos cortantes. Compruebe el estado del cable antes de usar la máquina y no la use si el cable no está en perfecto estado.
- Use sólo cables de intemperie.

Ropa

- Lleve siempre botas o zapatos fuertes.
- Siempre que use esta máquina lleve gafas de seguridad, guantes y protectores de los oídos.



- Si tiene el pelo largo, evite que entre en contacto con el recortasetos.
- Lleve la ropa recogida pero de modo que no estorbe sus movimientos.
- No lleve bisutería suelta.

Uso del recortasetos

- Si usa por primera vez el recortasetos, deberá recibir alguna instrucción práctica sobre cómo hacerlo y leer atentamente este Manual (Fig. A, 11).
- Compruebe siempre si está montado el protector.
- Evite el peligro al poner en marcha la máquina. No acerque la máquina al seto si está enchufada.
- Cuando transporte el recortasetos, lleve las hojas protegidas con la funda.
- Quite del seto cualquier alambre u objeto duro antes de empezar a recortarlo.
- No use el recortasetos si tiene poco espacio.
- Trabaje sólo con buena luz.
- Quite los residuos de la zona de trabajo.
- Cuando corte, hágalo con el recortasetos delante de usted. Sujételo con ambas manos y procure que el cable quede detrás de usted.
- No fuerce el recortasetos. Funcionará mejor y más seguro si lo lleva a una velocidad uniforme.
- No se incline demasiado. Manténgase en todo momento en equilibrio sobre sus pies y no trate de llegar demasiado lejos.
- Esté alerta. Ponga atención y no use el recortasetos si está cansado.
- No use el recortasetos con mucha humedad y nunca bajo la lluvia (Fig. A, 10).



La seguridad de los demás

- No deje nunca que usen esta máquina ni los niños ni las personas que no estén familiarizadas con ella, ni nadie que no haya leído este folleto.
- No deje que haya otras personas, niños o animales cerca de la máquina cuando la esté usando. Manténgalos bien alejados de la zona de trabajo.
- Este recortasetos no debe ser usado por niños menores de 16 años.



Cuidado de su máquina

- Cuando no use el recortasetos ponga siempre el protector.
- Cuando no use la máquina guárdela en un lugar seco, fuera del alcance de los niños.
- Mantenga el recortasetos siempre seco. No lo deje bajo la lluvia (Fig. A, 10).
- Compruebe siempre si todas las empuñaduras y conmutadores están limpios y si éstos funcionan perfectamente.
- No use disolventes ni líquidos limpiadores para limpiar su máquina. Antes de limpiarla desenchúfela siempre de la corriente.
- Si sus recortasetos se avería, no lo use. En el Centro de Servicio Black & Decker más próximo le aconsejarán qué hacer.
- Por su seguridad, lleve el recortasetos a reparar sólo a los Centros de Servicio Black & Decker.
- Use sólo recambios y accesorios recomendados por Black & Decker. El uso de accesorios no recomendados en este Manual puede acarrear el riesgo de daños personales.

¡Guarde estas instrucciones!

La política de Black & Decker es de mejorar continuamente sus productos. Por esta razón se reserva el derecho de cambiar las especificaciones de esta máquina sin previo aviso.

Doble aislamiento



Su máquina lleva doble aislamiento. Esto supone que todas las partes metálicas externas están aisladas eléctricamente, lo cual se consigue colocando una barrera aislante extra entre las partes mecánicas y eléctricas de la máquina. El doble aislamiento supone mayor seguridad eléctrica y evita tener que conectar la máquina a masa.

Instrucciones de montaje

- Para evitar el riesgo de heridas, le recomendamos que mantenga las cuchillas en su caja de cartón hasta que haya montado el agarrador basculante.

Para el montaje necesitará un destornillador 8. de estrella Núm. 2.

Montaje del agarrador cuadrado (2)

- Introduzca los extremos del agarrador (1) en los rebajes (2) laterales de la máquina.
- Pase los dos tornillos largos (3) por el agarrador y a través del cuerpo de la máquina. Apriételes.

Montaje del protector (3)

- Deslice el protector a lo largo de la cuchilla hasta que llegue al rebaje que hay a los lados de la máquina.
- Introduzca los dos tornillos de sujeción del protector a través del mismo y del cuerpo de la máquina. Apriételes.

Nota: El protector y el agarrador cuadrado deben montarse siempre en la máquina, para protección del usuario.

Funcionamiento del recortasetos (4)

Modelos con interruptor de bloqueo:

- PARA CONECTAR
- Pulse el botón de bloqueo (A) y apriete el disparador(B)
- PARA DESCONECTAR
- Suelte el disparador.

Modelos con mecanismo de freno:

- PARA CONECTAR
- El motor empieza a funcionar un momento antes de que se pongan en marcha las cuchillas. Si se pulsa a fondo el conmutador, el movimiento se transmite a las cuchillas y éstas empiezan a moverse.
- PARA DESCONECTAR
- El motor seguirá funcionando durante unos momentos después de que hayan parado las cuchillas. Esto es perfectamente normal.

Electronicos (5)

- Modelos con control electrónico de velocidad - La velocidad se puede cambiar según la aplicación:

Baja velocidad para cortes ligeros.

Alta velocidad cuando el seto esté más espeso o se quiera cortar más deprisa.

Antes de cambiar de velocidad desconecte la máquina.

La velocidad de las cuchillas se puede cambiar de alta a baja mediante el pomo de control.

La velocidad baja se obtiene cuando la marca del pomo coincide con el número 1.

La velocidad alta se obtiene cuando la marca del pomo coincide con el número 2.

Técnicas para obtener los mejores resultados (6)

- Las cuchillas cortan mejor cuando no están exactamente paralelas a la línea de corte, sino que su punta señala ligeramente hacia el interior del seto. No obstante esta inclinación no debe sobrepasar los 5 grados con respecto a la línea de corte.
- La mayoría de los usuarios cortan primero la parte superior del seto. Mantener la máquina al ángulo que se desee y moverla uniformemente a lo largo de la línea de corte.
- Las cuchillas de doble filo permiten cortar en cualquier dirección o mediante un movimiento de vaivén. Para conseguir un corte muy uniforme se puede tensar una cuerda a lo largo del seto, a la altura deseada, que servirá como guía.
- El seto se corta entonces por encima de la cuerda. Para cortar perfectamente los laterales del seto, lo mejor es cortar al hilo y hacia arriba.
- Cortar hacia abajo puede producir cortes irregulares. Procure retirar de antemano los objetos duros, tales como alambres o piedras, que pueden dañar las cuchillas.

Recuerde que además el recortasetos es adecuado para recortar la mayoría de arbustos, zarzales, etc.

Fusibles

Se recomienda usar con esta máquina un fusible de 3A.

Nota: Los fusibles no protegen contra las descargas eléctricas.

Normas adicionales de seguridad

Le recomendamos encarecidamente que enchufe esta máquina a un enchufe protegido por un disyuntor residual de alta sensibilidad (30mA). Este disyuntor le ofrece un mayor grado de protección contra las descargas eléctricas, caso de que se produzca alguna avería.

¡Precaución! El uso de un disyuntor no exime al usuario de esta máquina de seguir las normas de seguridad y de utilización de este manual.

Interferencias de radio y TV

Todas las herramientas de jardín Black & Decker cumplen las normas en vigor sobre interferencias de radio y TV.

Mantenimiento

Desenchufe su recortasetos!

- Después de usar el recortasetos, limpie las partes de plástico con un paño humedecido en agua templada. No use productos limpiadores.
 - Limpie las hojas con un cepillo fuerte mojado en aceite de sierras de cadena (¡tenga cuidado para no cortarse!). El aceite evita que se oxiden las hojas.
 - Procure que el aceite no toque las partes de plástico.
 - Después de limpiarlo, ponga la funda de las hojas y guarde el recortasetos en un lugar seguro. Para mayor facilidad, puede colgarlo en una pared de la funda.
 - Si las hojas se mellan o se rompen, se pueden volver a afilar con una lima, pero se debe hacer con gran cuidado para no cortarse.
 - Si necesita hojas nuevas, las puede adquirir en un Centro de Servicio Black & Decker.
-

Qué hacer si su recortasetos necesita reparación

En la Tarjeta de Garantía encontrará información sobre cómo y dónde enviar su recortasetos cuando necesite revisarlo o repararlo. Le recomendamos que guarde la tarjeta en lugar seguro.

Otros productos Black & Decker

Black & Decker le ofrece toda una gama de herramientas eléctricas que le facilitan el cuidado de su jardín. Si desea más información sobre estos productos, llame al teléfono de información de Black & Decker que aparece en la contraportada o pregunte a su distribuidor Black & Decker.

Cortacéspedes	Recortabordes
Motosierras	Biotrituradores
Reboreadores	Escarificadores

Certificado de conformidad de la UE

Declaramos que la siguiente unidad: **GT200, GT201, GT220, GT221, GT230, GT231, GT233, GT240, GT241, GT243, GT331, GT334, GT341, GT344, HT22, HT23, HT33, HT40, GT430, GT440, GT150**

cumplen con la directiva UE/89/392, UE/89/336, EN50144, EN55014, EN55104, UE/73/23

Su presión sonora ponderada es de 91dB (A)
Su potencia sonora ponderada es de 104dB (A)

Las vibraciones ponderadas al brazo/la mano son de $<2.5\text{m/s}^2$



Brian Cooke

Director de Ingeniería
Spennymoor, County Durham DL16 6JG
Reino Unido

Corta Sebes Série GT200

Parabéns pela compra deste corta-sebes Black & Decker. Ele dispõe das seguintes características e benefícios.

- Pega envolvente para maior conforto na utilização..
- Botão de bloqueio do interruptor para evitar o arranque acidental do motor.
- Resguardo frontal para segurança do utilizador.
- Lâminas de acção dupla para menor vibração.

Conheça a sua maquina



Por segurança e para obter os melhores resultados, leia com atenção este manual, antes de utilizar o corta-sebes.

Familiarize-se com todos os comandos e acima de tudo, saiba como desligar o aparelho em caso de emergência.

Guarde estas instruções em local seguro.

Instruções de segurança

Ao utilizar ferramentas eléctricas deve observar as regras que se seguem, de modo a minimizar o risco de acidentes.



- Mantenha a área de trabalho limpa e sem obstáculos.
- **Tenha em consideração o ambiente de trabalho.** Não exponha as ferramentas a chuva nem as utilize em ambientes húmidos ou perto de substâncias inflamáveis.
- Proteja-se de choques eléctricos evitando o contacto com superfícies ligadas a terra (canos, aquecedores, frigoríficos, etc.).
- Mantenha as crianças afastadas do local de trabalho, bem como outros visitantes.
- Guarde as ferramentas que não estejam em uso.
- **Não force a máquina.** Fará melhor o seu trabalho se a deixar funcionar dentro dos níveis para que foi concebida.
- **Utilize a máquina certa para cada tarefa.** Não use pequenas máquinas para trabalhos pesados nem para fins não destinados (ex: serra circular para cortar troncos).
- Utilize óculos de protecção.



Manual de Instruções



- Não use a máquina se o cabo não estiver em perfeito estado, nem a transporte segurando-a pelo mesmo. Proteja o cabo de cortes e outros danos.
- **Utilize o vestuário apropriado para trabalhar.** Apanhe o cabelo se o usar comprido, remova fios ou outros adornos que possam ser apanhados pelas partes em movimento da máquina.
- **Fixe bem a peça em que está a trabalhar.** É mais seguro que utilizar as mãos.
- **Mantenha as ferramentas em bom estado.** Siga as instruções referentes à sua lubrificação e conservação e leve-as a um Centro de Reparações autorizado sempre que haja uma avaria.
- Retire todas as chaves de aperto ou ajuste das zonas móveis da máquina, antes de iniciar a sua utilização.
- Use extensões à prova de humidades sempre que trabalhar no exterior.
- Mantenha-se atento ao que está a fazer, não se distraia.
- Utilize o equipamento de extracção de poeiras sempre que for possível.
- **Verifique periodicamente se há partes danificadas na sua máquina.** Caso haja, substitua-as num Centro autorizado da Black & Decker.
- **Aviso!** A utilização de peças ou acessórios não recomendados neste manual podem representar um perigo para o utilizador.

Preparação

- Proteja os pés, mãos, olhos e ouvidos ao operar com ferramentas para tarefas mais duras.
- Em caso de poeiras, use uma máscara.
- Verifique o posicionamento do cabo eléctrico ou extensão, antes de iniciar o trabalho.

Utilização

- Verifique se as sebes não possuem obstáculos que podem danificar as lâminas.
- Certifique-se que ao trabalhar com o aparelho, o cabo eléctrico não fica ao alcance das lâminas.



- Nunca tente parar as lâminas. Deixe-as parar por si.
- Opere com a sua máquina apenas à luz do dia ou com boa iluminação artificial.
- Trabalhe sempre numa posição de equilíbrio. Não facilite o acidente.
- Não force a máquina.

Manutenção e armazenamento

- Guarde a sua máquina num local seco e fora do alcance das crianças
- Não use produtos químicos ou solventes para limpeza da máquina, pois podem danificar as partes plásticas da mesma.
- Não utilize a máquina se houver partes avariadas ou defeituosas.
- Use apenas peças e acessórios genuínos da Black & Decker.
- Mantenha todas as porcas e parafusos bem apertados; assegure-se que a máquina está sempre em boas condições de uso.

Duplo isolamento



A sua máquina possui duplo isolamento, o que significa que todas as partes metálicas externas estão isoladas da corrente eléctrica, através da inclusão de uma segunda barreira isolante entre os componentes eléctricos e os mecânicos. Duplo isolamento significa maior protecção e torna desnecessária a ligação à terra da máquina.

Instruções de montagem

- Para evitar riscos de acidentes, aconselha-se que as lâminas sejam mantidas na cobertura de cartão até que o resguardo esteja montado.

Para tal necessitará uma chave de parafusos Pozidrive N°2.

Montagem da pega frontal (diagrama 2)

- Coloque a pega (1) nos orifícios (2) nos lados da máquina.
- Introduza os parafusos grandes (3) pela pega até ao corpo da máquina e aperte-os.

Montagem do resguardo (diagrama 3)

- Faça deslizar o resguardo ao longo da lâmina e encaixe-o no sítio devido, coincidindo-o com os furos do corpo da máquina.

- Introduza os dois parafusos de fixação e aperte-os.

Nota: O resguardo e a pega devem ser sempre montados, para protecção do utilizador.

Funcionamento do corta-sebes (diagrama 4)

- Modelos com botão de travamento do interruptor.
- Para LIGAR:
 - Pressione o botão de travamento (A) e aperte interruptor (B).
 - Para DESLIGAR:
 - Solte o interruptor.
 - Modelos com mecanismo de travamento.
- LIGAR:
 - O motor pode iniciar o funcionamento um pouco antes das lâminas começarem a mover-se. Pressionando totalmente o interruptor, o veio para as lâminas será accionado e estas começarão a mover-se.
- DESLIGAR:
 - O motor pode continuar a trabalhar mesmo depois das lâminas se terem imobilizado. Isto é perfeitamente normal.

Electrónico (diagrama 5)

- Modelos com controlo electrónico da velocidade
- Selecione a velocidade para a tarefa:

- Velocidade baixa para acertos.

- Velocidade alta para corte rápido.

Desligue sempre a máquina antes de proceder à regulação da velocidade.

A velocidade das lâminas pode ser alterada rodando o botão de controlo.

Baixa velocidade - 1

Alta velocidade - 2

Técnicas de corte para melhores resultados (diagrama 6.1 a 6.5)

- As lâminas cortarão com maior eficácia quando não estão completamente paralelas com a linha de corte mas, sim quando as pontas estão dirigidas ligeiramente para a sebe. Esta inclinação não deve ser superior a 5°

- A maioria dos utilizadores corta o topo da sebe primeiro. Segure o aparelho no ângulo desejado e mova-o firmemente ao longo da sebe, pela linha de corte desejada. A lâmina permite-lhe cortar em qualquer direcção ou efectuar o corte movendo o corta-sebes para um lado e para o outro.
- Para um acabamento melhor, pode utilizar um pedaço de corda para marcação da altura ao longo da sebe, servindo assim, de guia para o corte. O corte deverá ser feito logo acima da corda.
- Para o corte lateral ficar mais perfeito, o movimento do aparelho deve ser efectuado de baixo para cima. ao fazê-lo de cima para baixo poderá obter resultados menos perfeitos.
- Tenha cuidado com obstáculos que possam existir na sebe, tais como arames, que podem danificar o aparelho e causar danos pessoais.

Lembre-se que o seu corta-sebes também serve para corte de arbustos e silvados.

Cuidados e manutenção

- Desligue o interruptor e o aparelho da corrente antes de proceder a qualquer limpeza ou regulação na máquina.
- Para melhor rendimento, mantenha as lâminas limpas e as entradas de ar no corpo da máquina desobstruídas.
- Use um pano ou escova para limpar resíduos existentes nas lâminas.
- Evite o enferrujamento das lâminas passando um pouco de óleo após a limpeza.
- Não mergulhe nenhuma parte da máquina em água. As partes plásticas podem ser limpas com um pano humedecido em água morna, sem recorrer ao uso de produtos químicos de limpeza.
- Depois de limpa, a máquina pode ser guardada na sua embalagem para protecção.
- Os rolamentos utilizados são auto-lubrificadas pelo que não é necessária qualquer outra lubrificação adicional.

Detecção de avarias

Se o seu corta-sebes falhar :

- Desligue-o da corrente.
- Verifique todas as ligações.
- Se não detectar qualquer anomalia, leve por favor o seu aparelho a um centro de Assistência Técnica da Black & Decker.

Máquinas velhas e o meio ambiente

Quando chegar a altura de substituir a sua velha máquina, ou não pensar utilizá-la mais, lembre-se do meio ambiente. Os serviços pós-venda da Black & Decker aceitarão os seus produtos velhos de modo a serem tratados de modo ambientalmente seguro.

Garantia

Se o seu produto tiver alguma avaria devido a peças defeituosas ou defeito de fabrico, durante um período de 12 meses após a compra, garantimos a sua substituição sem encargos adicionais, desde que:

- O produto tenha sido comprado para utilização própria e não para ser alugado.
- O produto não tenha sido indevidamente usado ou manipulado.
- Não tenham sido tentadas reparações por pessoas estranhas aos serviços de Assistência Técnica da Black & Decker.
- O produto seja enviado a um Centro de reparação devidamente acompanhado do comprovativo de compra.

Esta garantia é oferecida como benefício extra e é adicional aos direitos legais do utilizador.

Serviço pós-venda da Black & Decker

A Black & Decker tem à sua disposição a nível nacional uma rede de assistência técnica composta por: delegação própria, concessionários e reparadores autorizados, cujo objectivo é prestar-lhe um serviço excelentee reparações rápidas, onde poderá também, encontrar os acessórios e peças necessárias para que possa tirar o máximo rendimento da sua máquina.

Peças ou acessórios não genuínos podem danificar ou reduzir os desempenhos da sua máquina e pôr em perigo a sua utilização. A garantia da máquina pode ser afectada em tais circunstâncias.

Outros produtos Black & Decker

A Black & Decker oferece-lhe uma vasta gama de ferramentas eléctricas para jardim, que tornarão a sua vida mais simples. Se necessita mais informação sobre os nossos produtos, contacte por favor o revendedor da sua zona ou directamente a Black & Decker. Pode consultar as páginas amarelas onde encontrará o número sempre actualizado dos nossos serviços.

Corta relvas

Corta sebes

Escarificadores

Aspiradores/sopraadores

Aparadores

Electrosserras

Acessórios

PORTUGUÊS

EC Declaração de Conformidade

Declaramos que os produtos: **GT200, GT201, GT220, GT221, GT230, GT231, GT233, GT240, GT241, GT243, GT331, GT334, GT341, GT344, HT22, HT23, HT33, HT40, GT430, GT440, GT150**

estão em conformidade com: 89/392/EEC, 89/336/EEC, EN50144, EN55014, EN55104, 72/23/EEC

Pressão sonora 91 dB (A)

Potência sonora 104dB (A)

Vibração <2.5m/s²




Brian Cooke

Engenheiro Responsável
Spennymoor, County Durham DL16 6JG
United Kingdom

Κλαδευτήρι Θάμνων Σειρά Μοντέλου GT200

Οδηγίες Χρήσεως

Οδηγίες ασφάλειας

 Όταν χρησιμοποιείτε ηλεκτρικά εργαλεία, να λαμβάνετε πάντοτε τα αναγκαία μέτρα ασφαλείας για να μειώσετε τον κίνδυνο πυρκαγιάς, ηλεκτρικού σοκ και προσωπικού τραυματισμού. Διαβάστε όλες τις οδηγίες προτού χρησιμοποιήσετε το εργαλείο (Εικόνα Α, 8).

Ηλεκτρικές συνδέσεις

- Η μηχανή σας είναι σχεδιασμένη για χρήση σε ρευματοδότες εναλλασσόμενου ρεύματος μόνο - μη δοκιμάσετε να χρησιμοποιήσετε άλλο σύστημα ρεύματος και βεβαιωθείτε ότι η μηχανή σας είναι συνδεδεμένη με τον ορθό ρευματοδότη. Το βολτάζι αυτή τη μηχανή δίνεται στην πλάκα αναλογιών.
- Τοποθετήστε τη μηχανή σας στο σημείο ηλεκτρικής παροχής - ποτέ μέσα σε αναμμένη πρίζα.
- Μην αφήνετε τη μηχανή σας απαρακολούθητη ενώ την συνδέετε στην ηλεκτρική παροχή.
- Πάντοτε να σβήνετε και να αφαιρείτε την πρίζα από τον αγωγό ρεύματος όταν ξεβουλώνετε τις λεπίδες, πριν από το καθάρισμα, την επίβλεψη ή τη ρύθμιση οποιουδήποτε μέρους της μηχανής κοψίματος, ή αν το καλώδιο αγωγού έχει πάθει βλάβη ή έχει εμπλακεί, ή εάν το μηχανήμα ψαλιδίσματος του φράκτη δεν λειτουργεί (Εικόνα Α, 9).

Καλώδιο αγωγού ρεύματος

- Το καλώδιο παροχής ρεύματος πρέπει να εξετάζεται ταχτικά για τυχόν σημάδια βλάβης ή παλιώματος, και να χρησιμοποιείται μόνον όταν είναι σε καλή κατάσταση.
- Να προσέχετε πάντοτε πού είναι η θέση του καλωδίου ρεύματος.

- Ποτέ μη μεταφέρετε τη μηχανή σας από το καλώδιο ή να σηκώνετε το καλώδιο για να χωρίζετε τους συνδετήρες. Διατηρείτε το καλώδιο μακριά από πηγές φωτιάς, από λάδια ή κοφτερά αντικείμενα. Εξετάστε την κατάσταση του καλωδίου σας πριν από τη χρήση και μην την χρησιμοποιείτε αν έπαθε βλάβη.
- Να χρησιμοποιείτε μόνον τα καλώδια ρεύματος που είναι για υπαίθρια χρήση.

Ρουχισμός

- Πάντοτε να φορείτε σκληρά παπούτσια ή μπότες.
- Πάντοτε να φοράτε προστατευτικά γυαλιά, γάντια και προστατευτικά μέσα αυτιών όταν χρησιμοποιείτε το μηχανήμα.
- Να προστατεύετε τα μακριά μαλλιά να μην έρχονται σ' επαφή με το μηχανήμα ψαλιδίσματος.
- Τα ρούχα σας να μην είναι φαρδιά, αλλά όχι τόσο στενά που να παρεμποδίζουν την κίνησή σας.
- Να μην φοράτε χαλαρά κοσμήματα.

Χρησιμοποιώντας τη μηχανή σας

- Ο χρήστης πρώτης φοράς θα πρέπει να λαμβάνει πληροφοριακές πρακτικές οδηγίες στο πώς να χρησιμοποιεί το μηχανήμα ψαλιδίσματος φράκτη, και να διαβάσει επίσης αυτό το εγχειρίδιο (Εικόνα Α, 11).
- Πάντοτε να βεβαιώνετε ότι ο προφυλακτήρας είναι εφαρμοσμένος.
- Να αποφεύγετε την επικίνδυνη εκκίνηση. Να μην μεταφέρετε το μηχανήμα ψαλιδίσματος φράκτη στον φράκτη με το φως μέσα στην πρίζα.
- Όταν μεταφέρετε το μηχανήμα ψαλιδίσματος φράκτη, να χρησιμοποιείτε το κάλυμμα της λεπίδας που σας παρέχεται για να καλύπτονται οι λεπίδες.



- Να εκκαθαρίζετε τυχόν σύρματα ή άλλα σκληρά αντικείμενα από τον φράκτη προτού αρχίσετε να ψαλιδίζετε.
- Να μην χρησιμοποιείτε το μηχάνημα ψαλιδίσματος φράκτη σε περιορισμένο χώρο.
- Να τον χρησιμοποιείτε σε συνθήκες καλού φωτός.
- Να διατηρείτε τον χώρο εργασίας καθαρό από κοψίματα.
- Όταν κάνετε τομές, να κρατάτε τη μηχανή ψαλιδίσματος φράκτη μπροστά σας. Να χρησιμοποιείτε και τα δύο σας χέρια το μηχάνημα ψαλιδίσματος φράκτη και να διατηρείτε το καλώδιο πίσω σας.
- Να μην βιάζεστε το μηχάνημα ψαλιδίσματος φράκτη. Θα κάνει την δουλειά καλύτερα και με περισσότερη ασφάλεια εάν ψαλιδίζετε σε σταθερή ταχύτητα.
- Μην υπερτεντώνεστε. Να στέκεστε σταθερά και να έχετε σταθερή ισορροπία πάντοτε. Να μην τεντώνεστε πάρα πολύ.
- Να επαγρυπνείτε. Να είστε προσεκτικοί και να μην χρησιμοποιείτε το μηχάνημα ψαλιδίσματος φράκτη όταν είστε κουρασμένοι.
- Ποτέ να μην χρησιμοποιείτε το μηχάνημα ψαλιδίσματος φράκτη σε υγρές συνθήκες και ποτέ να μην το αφήνετε κάτω από τη βροχή (Εικόνα Α, 10).



Η ασφάλεια των άλλων

- Ποτέ μην αφήνετε παιδιά ή πρόσωπα που δεν γνωρίζουν τον τύπο της μηχανής να την χρησιμοποιούν ή σε κανένα άλλο πρόσωπο που δεν διάβασε το φυλλάδιο αυτό.
- Μην αφήνετε παιδιά, ζώα ή άλλους ενήλικες κοντά στη μηχανή σας όταν λειτουργεί - πάντοτε να τους κρατείτε μακριά από το χώρο κοπής.
- Μην αφήνετε τα παιδιά κάτω των 16 ετών να χρησιμοποιούν το μηχάνημα ψαλιδίσματος.



Φροντίδα της μηχανής σας

- Εφαρμόστε το κάλυμμα της μηχανής όταν δεν χρησιμοποιείτε το μηχάνημα ψαλιδίσματος.
- Αποθηκεύετε τη μηχανή σας σε ξηρό χώρο όταν δεν την χρησιμοποιείτε, και μακριά από παιδιά.

- Να διατηρείτε το μηχάνημα σας στεγνό, και ποτέ σας να μην το αφήνετε έξω κάτω από τη βροχή (Εικόνα Α, 10).
- Να βεβαιώνετε όπως όλες οι λαβές και οι διακόπτες διατηρούνται καθαρά και όπως ο διακόπτες κινούνται ελεύθερα.
- Μη χρησιμοποιείτε διαλύματα ή άλλα υγρά καθαρισμού για να καθαρίζετε τη μηχανή σας. Πάντοτε να την αποσυνδέετε από το ρευματοδότη πριν από το καθαρίσμα.
- Εάν το μηχάνημά σας υποστεί βλάβη, μην το χρησιμοποιείτε. Το τοπικό σας Κέντρο Σέρβις της Black & Decker θα σας δώσει δωρεάν συμβουλή του τι να κάνετε.
- Για τη δική σας ασφάλεια, να επιδιορθώνετε το μηχάνημά σας μόνο σε Κέντρο Σέρβις της Black & Decker.
- Να χρησιμοποιείτε μόνο συνιστώμενα ανταλλακτικά και εξαρτήματα της Black & Decker. Η χρήση άλλων εξαρτημάτων εκτός αυτών που συνιστώνται σ' αυτό το εγχειρίδιο, μπορεί να προκαλέσει κίνδυνο προσωπικής βλάβης.

Φυλάξτε αυτές τις οδηγίες!

Η πολιτική της Black & Decker είναι πολιτική συνεχούς βελτίωσης του προϊόντος της και, σαν τέτοια, διατηρεί το δικαίωμα να αλλάξει τις προδιαγραφές του προϊόντος χωρίς προηγούμενη ειδοποίηση.

Διπλή μόνωση



Η μηχανή σας έχει διπλή μόνωση. Αυτό σημαίνει ότι όλα τα εξωτερικά μεταλλικά μέρη έχουν ηλεκτρική μόνωση από την πηγή τροφοδότησης. Αυτό επιτυγχάνεται τοποθετώντας ένα πρόσθετο φραγμό μόνωσης μεταξύ των ηλεκτρικών και μηχανικών μερών. Διπλή μόνωση σημαίνει μεγαλύτερη ηλεκτρική ασφάλεια και αποφεύγει την ανάγκη γείωσης της μηχανής.

Οδηγίες Συναρμολογησης

- Για την αποφυγή κινδύνου τραυματισμού, σας συμβουλεύουμε να αφήνετε τις λεπίδες στο κάλυμμα του χαρτοκιβωτίου μέχρι που να εφαρμοσθεί πρώτα το εμπροσθιο χερούλι.

θα χρειαστείτε ένα βιολογο no. 2 ποσιτραιβ.

Εφαρμολογώντας το εμπροσθιο χερούλι (διαγραμμα 2)

- Σφίγξτε το χερούλι (1) στις κρατήσεις (2) στην πλευρά της συσκευής.
 - Περάστε τις μεγάλες βίδες (3) μύσω του χερουλιού στο αμάξωμα, και μετά σφίγξτε τις.
-

Εφαρμολογώντας τον προφυλακτήρα (διαγραμμα 3)

- Ολισθήσατε τον προφυλακτήρα πάνω από το μήκος της λεπίδας και τοποθετήστε τον στις εσοχές στην πλευρά του αμαξώματος.
- Εισχωρήστε τις δύο βίδες εφαρμογής του προφυλακτήρα μέσω των πλευρών του προφυλακτήρα μέσα στο αμάξωμα της συσκευής και σφίξτε τις.

Σημείωση: Ο προφυλακτήρας και το χερούλι πρέπει πάντοτε να εφαρμολογούνται στη συσκευή για προστασία του χρήστη.

Λειτουργία του διακοσμητή του φρακτῆ σας (διαγραμμα 4)

Μοντέλα με διακοπτη ασφάλειας:

- Για να αναψετε
- Πατήστε το κουμπί ασφαλείας (A) και πιέστε τη σκανδάλη (B).
- Για να σβησετε
- Αποδεσμεύσατε τη σκανδάλη.

Για συσκευές με μηχανισμο φρένου:

- Για να αναψετε
- Ο κινητήρας μπορεί να ξεκινήσει στιγμιαία προτού οι λεπίδες αρχίσουν να κινούνται.
- Πατώντας πλήρως τον διακοπτη, η σκανδάλη κινήσεως στις λεπίδες θα συνδεθεί και μετά οι λεπίδες θα αρχίσουν να κινούνται.
- Για να σβησετε
- Ο κινητήρας μπορεί να λειτουργήσει μετά που οι λεπίδες έχουν σταματήσει. Αυτό είναι απολυτα κανονικο.

Ηλεκτρονικα (διαγραμμα 5)

- Μοντέλα με ηλεκτρονικο έλεγχο ταχύτητας: Αλλάξτε την ταχύτητα για να ταιριάζει στην εφαρμογή-

Χαμηλή ταχύτητα για ελαφρο ψαλλίδισμα.

Υψηλή ταχύτητα για ταχύ ψαλλίδισμα του φράκτη.

Σβήστε τη μηχανή πριν απο την αλλαγή ρυθμίσεως των ταχυτήτων.

Η ταχύτητα των λεπίδων μπορεί να ρυθμιστεί απο υψηλή ταχύτητα σε χαμηλή ταχύτητα περιστρέφοντας το κουμπί ελέχου. η χαμηλή ταχύτητα εκλαμβάνεται όταν το No. 1 στο κουμπί είναι ορατο. Η υψηλή ταχύτητα εκλαμβάνεται όταν το No. 2 στο κουμπί είναι ορατο.

Τεχνικες κοπης για καλύτερα αποτελεσματα (διαγραμμα 6.1 - 6.5)

- Οι λεπίδες θα κοψουν πολύ αποδοτικά όταν δεν είναι ακριβώς παράλληλες με την γραμμή κοπής, αλλά έχουν τα άκρα των λεπίδων να δείχνουν ελαφριά προς τον φράκτη. Η εγκάρσια κλίση δεν πέρβαινει τους 5 β. στη γραμμή κοπής.
- Οι περισσότεροι χρήστες ψαλλίδίζουν πρώτα το πάνω μέρος του φράκτη. Κρατάτε το εργαλείο στην επιθυμητή γωνία και κινήστε το σταθερά κατά μήκος της γραμμής κοπής. Η λεπίδα διπλής κοπης σας βοηθάει να κοψετε σε οποιαδήποτε κατεύθυνση ή με κίνηση απο πλευρά σε πλευρά.
- Για επίπεδο φινιρίσμα, μπορεί να τεντωθεί ένα κομμάτι σπάγγος κατά μήκος του φράκτη στο απαιτούμενο ύψος για να βοηθήσει σαν οδηγος. Ο φράκτης μπορεί να κοπεί λίγο πάνω απο τον σπάγγο.
- Για να έχετε πολύ επίπεδες πλευρές είναι καλύτερα να κοβετε προς τα πάνω με τη ανάπτυξη. Κοβοντας προς τα κάτω μπορεί να επιφέρει ανώμαλο αποτέλεσμα.
- Προσέξτε να αποφύγετε σκληρά αντικείμενα, όπως σύρματα, που μπορεί να προκαλέσουν βλάβη στις λεπίδες κοπής.

Να θυμάστε ότι ο διακοσμητής του φρακτῆ σας είναι κατάλληλος επίσης για ψαλλίδισμα των περισσοτερων θάμνων και βάτων.

Ασφάλειες

Οι συνιστώμενες ασφάλειες για χρήση σ' αυτό το μηχάνημα είναι των 3 αμπερ.

Σημείωση: Οι ασφάλειες δεν προσφέρουν προστασία από ηλεκτρικό σοκ.

Πρόσθετη ηλεκτρική ασφάλεια

Σας συνιστούμε πολύ όπως η ηλεκτρική παροχή στη μηχανή παρέχεται από μια 30mA πολύ ευαίσθητη συσκευή παραμένοντος ρεύματος (RCD). Το RCD είναι σχεδιασμένο να παρέχει υψηλής στάθμης προστασία ενάντια στο επικίνδυνο ηλεκτρικό ρεύμα εάν παρουσιασθούν ανώμαλες συνθήκες.

Προσοχή! Η χρήση ενός RCD δεν αποδεδειγμένη τον χειριστή της μηχανής από τις οδηγίες ασφάλειας και της πολιτικής ασφαούς εργασίας που δίνονται στον οδηγό.

Επέμβαση τηλεόρασης και ραδιοφώνου

Όλα τα εργαλεία κήπου της Black & Decker συμμορφώνονται προς τις νομικές απαιτήσεις σχετικά με την παρεμβολή ραδίου και τηλεόρασης.

Συντήρηση

Βγάλτε την πρίζα από το μηχάνημά σας!

- Μετά από την χρήση, καθαρίστε τα πλαστικά μέρη χρησιμοποιώντας ένα πανί μουσκεμένο με ζεστό νερό. Μην χρησιμοποιείτε χημικά καθαριστικά.
- Χρησιμοποιήστε μια σκληρή βούρτσα βουτηγμένη σε λάδι πριονοκορδέλας για να καθαρίσει τους δίσκους. (Προσέξτε να μην κόψετε τα χέρια σας!) Το λάδι θα προστατεύσει τις λεπίδες από του να σκουριάσουν.
- Φυλάξτε το λάδι μακριά από τα πλαστικά μέρη.
- Μετά από το καθαίρισμα, εφαρμόστε το περιβλήμα της λεπίδας και αποθηκεύστε το μηχάνημα αποκοπής φράκτη με ασφάλεια. Το περιβλήμα της λεπίδας μπορεί να τοποθετηθεί σε τοίχο για ασφαλή αποθήκευση.
- Εάν οι λεπίδες πρικαλέσουν ανωμαλία ή υποστούν βλάβη είναι δυνατό να τριξάνα ακονίσετε με ρινί, αλλά σας συνιστούμε να το κάνετε αυτό με ιδιαίτερη προσοχή λίγω του κινδύνου να κόψετε τα χέρια σας.
- Το Κέντρο Σέρβις της Black & Decker μπορεί να σας προμηθεύσει καινούργους λεπίδες εάν χρειαστεί.

ΕΛΛΗΝΙΚΑ

Τι κάνετε όταν η μηχανή ψαλιδίσματος φράκτη χρειασθεί επιδιόρθωση

Πληροφορίες για το πώς και πού να στείλετε τη μηχανή ψαλιδίσματος φράκτη για επιδιόρθωση δίνονται στην κάρτα εγγύησης. Σας συστήνουμε να φυλάγετε αυτή την κάρτα σε ασφαλές μέρος.

Άλλα προϊόντα της Black & Decker

Η Black & Decker έχει μια πλήρη σειρά ηλεκτρικών εξωτερικών εργαλείων που κάνουν τη ζωή στον κήπο πιο άνετη. Αν χρειάζεστε περισσότερες πληροφορίες για τα ακόλουθα προϊόντα, παρακαλώ επικοινωνήστε με το Κέντρο Υπηρεσίας Πληροφοριών της Black & Decker, που δίνεται στο πίσω εξώφυλλο, ή επικοινωνήστε με τον δικό σας πωλητή της Black & Decker.

**Χλοκοπτικές Μηχανές Αλυσοπριονα
Κλαδευτήρια Θαμνών Καδοθραυστες
Φινιρισματος Χορτου Απορροφητηρας/
Φυσητηρας**

Δήλωση Συμμόρφωσης της ΕΚ

Υπεύθυνα δηλώνουμε ότι οι συσκευές:
GT200, GT201, GT220, GT221, GT230, GT231,
GT233, GT240, GT241, GT243, GT331, GT334,
GT341, GT344, HT22, HT23, HT33, HT40,
GT430, GT440, GT150

συμμορφούνται προς τις διατάξεις
89/392/EEC, 89/336/EEC, EN50144, EN50104,
EN55104, 73/23/EEC

Για καταμετρημένη πίεση ήχου 91dB (A)

Για καταμετρημένη ισχύς ήχου 104dB (A)

Καταμέτρηση δόνησης χεριού/βραχίονα <2.5μ/S²

Brian Cooke

Διευθυντής Μηχανολογίας
Spennymoor, County Durham DL16 6JG, HB

Australia	Black & Decker (A'asia) Pty Ltd 286-288 Maroondah Highway North Croydon, Victoria 3136	Tel: 03 213 8200 Fax: 03 726 7150
Belgique/België	Black & Decker Belgium NV Weihoek 1, Nossegem 1930-Zaventem-Zuid	Tel: 02 719 07 11 Fax: 02 721 40 45
Danmark	Black & Decker AB Hejrevang 26 B, 3450 Allerød	Tlf: 70-20 15 10 Fax: 48-14 13 99
Deutschland	Black & Decker GmbH Black & Decker Straße 40 65510 Idstein	Tel: 06126 210 Fax: 06126 212435
Ελλάς	Black & Decker (Ελλάς) ΑΕ Λεωφ. Συγγρού 154 Αθήνα 176 71	Τηλ: 01 9242870-75 Service: 01 9242876-7 Fax: 01 9242869
España	Black & Decker de España SA Ctra. de Acceso a Roda de Bará, km 0,7 43883-Roda de Bará, Tarragona	Tel: 977 297110 Tlx: 56631 BLADE E Fax: 977 802342
France	Black & Decker (France) Sarl Le Paisy 69570 Dardilly, Lyon	Tel: 72 20 39 20 Tlx: 300 250 Fax: 72 20 39 00
Helvetia	Black & Decker AG Elektrowerkzeuge Rütistraße 14, CH-8952 Schlieren Schweiz/Suisse	Tel: 01 730 69 33 Tlx: 54462 BDZH CH Fax: 01 730 70 67
Italia	Black & Decker Italia SpA Viale Elvezia 2, 20052 Monza (MI)	Tel: 039 23 87 1 Fax: 039 23 87 59 3
Nederland	Black & Decker (Nederland) BV Florijnstraat 10 4879 AH Etten-Leur	Tel: 07650 82000 Fax: 07650 38184
New Zealand	Black & Decker 483 Great South Road, Penrose, Auckland	Tel: 09 579 7600 Fax: 09 579 8200
Norge	Black & Decker (Norge) A/S Strømsveien 344, 1081 Oslo	Tel: 22-32 46 40 Fax: 22-32 46 50
Österreich	Black & Decker Werkzeugervertriebs GmbH Erlaerstraße 165, Postfach 69, 1231 Wien	Tel: 0222 66 116-0 Tlx: 13228 BLACK A Fax: 0222 66 116-14
Portugal	Black & Decker Rua Egas Moniz 173, Apartado 19 S. João do Estoril, Codex	Tel: 468 76 13/468 75 13 Tlx: 16 607 BLADEC P Fax: 467 15 80
South Africa	Powerdek Tool Distributors 22 Inglestone Road, Village Deep Johannesburg, South Africa	Tel: 011 493 4000 Fax: 011 493 6391
Suomi	Black & Decker Oy Rälssitie 7 C, 01510 Vantaa Frälsevägen 7 C 01510 Vanda	Puh: 358-0-825 4540 Fax: 358-0-825 45444 Tel: 358-0-825 4540 Fax: 358-0-825 45444
Sverige	Black & Decker AB Box 603, 421 26 Västra Frölunda Besöksadr. Ekonomivägen 11	Tel: 031-68 60 00 Fax: 031-68 60 08
United Kingdom	Black & Decker 210 Bath Road, Slough Berkshire SL1 3YD	Tel: 01753 511234 Tlx: 848317 BAND MH Fax: 01753 551155



English

Italiano

Deutsch

Français

Nederlands

Español

Português

Ελληνικά
