

	LASER 2	
DW088/DCE088 ≤1.0mW @ 630-680nm	DW088CG/DCE088CG ≤1.0mW @ 510-530nm	
IEC 60825-1: 2014		

Complies with 21 CFR 1040.10 and 1040.11 except for deviations pursuant to Laser Notice No. 50, dated June 24, 2007



© 2017 DeWALT Industrial Tool Co.
701 East Joppa Road
Towson, Maryland 21286

© 2017 DeWALT Industrial Tool Co.
D-65510 Idstein,
Germany



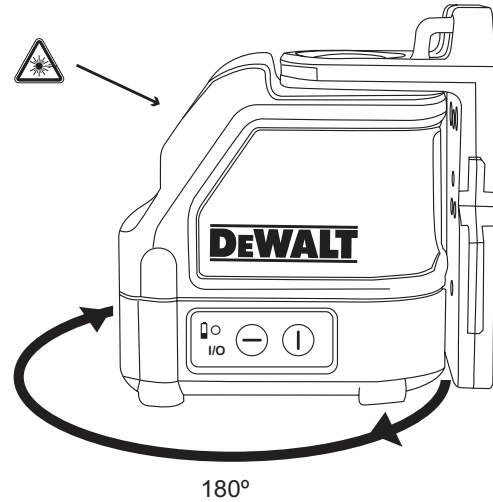
www.DeWALT.com
www.DeWALT.eu
www.2helpu.com

P/N N520386 March 2017

DeWALT®

DW088/DW088CG DCE088/DCE088CG

Quick Start Guide



180°

